

PM1718

**RS 12/15/18 & 21**  
**ROTARY SLASHER**

PARTS MANUAL

ISSUE 6

## IMPORTANT

NOTE HERE THE SERIAL NUMBER OF YOUR MACHINE AND ALWAYS QUOTE IT IN ANY COMMUNICATION WITH US OR YOUR DEALER. THIS IS PARTICULARLY IMPORTANT WHEN ORDERING SPARES. REMEMBER TO INCLUDE ALL NUMBERS AND LETTERS.

MACHINE SERIAL NUMBERS \_\_\_\_\_

THE INFORMATION GIVEN THROUGHOUT THIS MANUAL IS CORRECT AT THE TIME OF PUBLICATION. HOWEVER, IN THE COURSE OF CONSTANT DEVELOPMENT OF BOMFORD TURNER MACHINES, CHANGES IN SPECIFICATION ARE INEVITABLE. SHOULD YOU FIND THE INFORMATION GIVEN IN THIS BOOK TO BE AT VARIANCE WITH THE MACHINE IN YOUR POSSESSION, YOU ARE ADVISED TO CONTACT THE BOMFORD TURNER SERVICE DEPARTMENT WHERE UP-TO-DATE INFORMATION WILL BE PROVIDED.

THE MANUAL CAN CONTAIN STANDARD AND OPTIONAL FEATURES AND IS NOT TO BE USED AS A MACHINE SPECIFICATION.

THE MACHINE HAS BEEN TESTED AND IS CONSIDERED SAFE IF CAREFULLY USED. ENSURE YOUR OPERATOR IS PROPERLY TRAINED IN ITS USE AND MAINTENANCE.

---

## IMPORTANT

NOTEZ ICI LES NUMEROS DE SERIE DE VOTRE MACHINE ET MENTIONNEZ LES DANS TOUTE COMMUNICATION AVEC NOS SERVICES OU VOTRE REVENDEUR. CECI EST IMPORTANT POUR LA COMMANDE DE PIECES DETACHEES. PENSEZ A NOTER TOUS LES NUMEROS ET TOUTES LES LETTERS.

NUMEROS DE SERIE DE LA MACHINE \_\_\_\_\_

LES INFORMATIONS DONNEES DANS CE MANUEL SONT CORRECTES CEPENDANT, DU FAIT DE DEVELOPPEMENT CONSTANT DES MACHINES BOMFORD TURNER.

CHANGEMENTS DANS LES CARACTERISTIQUES SONT INEVITABLES.

SI VOUS TROUVEZ QUE LES INFORMATIONS DONNEES NE CORRESPONDENT PAS A VOTRE MACHINE VEUILLEZ CONTACTER LE SERVICE DES REPARATIONS OU DES INFORMATIONS PLUS RECENTES VOUS SERONT DONNEES. CE MANUEL PEUT MONTRER DES CARACTERISTIQUES OPTIONNELLES ET NE PEUT PAS ETRE CONSIDERE COMME SPECIFICATION DE LA MACHINE.

CETTE MACHINE A ETE TESTEE, ET ELLE EST CONSIDEREE COMME FIABLE A CONDITION D'UNE BONNE UTILISATION. ASSUREZ-VOUS QUE VOTRE OPERATEUR EST QUALIFIE EN CE QUI CONCERNE L'UTILISATION DE LA MACHINE AINSI QUE SON ENTRETIEN.

---

## WICHTIG

TRAGEN SIE HIER DIE SERIENNUMMERN IHRER MASCHINE EIN UND GEBEN SIE DIESE IMMER AN, WENN SIE SICH AN UNS ODER IHREN HÄNDLER WENDEN. DAS IST BESONDERS BEI ERSATZTEILBESTELLUNGEN WICHTIG. VERGESSEN SIE NICHT, ALLE ZAHLEN UND BUCHSTABEN ZU NOTIEREN.

SERIENNUMMERN DER MASCHINE \_\_\_\_\_

DIE ANGABEN INDIESEM HANDBUCH SIND BEI VERÖFFENTLICHUNG KORREKT. AUFGRUND DER KONSTANTEN WEITERENTWICKLUNG VON BOMFORD TURNER MASCHINEN SIND JEDOCHÄNDERUGDEN IN DER SPEZIFIKATION UNVERMEIDLICH. WENN DIE INFORMATION IN DIESEM HANDBUCH NICHT MIT IHRER MASCHINE ÜBEREINSTIMMEN, NEHMEN SIE BITTE KONTAKT MIT DER BOMFORD TURNER KUNDENDIENSTABTEILUNG AUF, DIE IHNEN GERNE DIE AKTUELLEN INFORMATION ZUKOMMEN LÄSST.

DAS HANDBUCH KANN SOWOHL BESCHREIBUNGEN FÜR DIE STANDARD AUSFÜHRUNG ALS AUCH FÜR ZUBEHÖR ENTHALTEN UND IST NICHT ALS MASCHINENSPEZIFIKATION ZU VERWENDET.

DIE MASCHINE IST GETESTET UND BEI SACHGEMÄSSEM BETRIEB ALS SICHER BEFUNDEN WORDEN. SORGEN SIE DAFÜR, DASS IHR BEDIENPERSONAL IN ANWENDUNG UND WARTUNG RICHTIG GESCHULT WIRD.

**RS RANGE OF ROTARY SLASHERS**

NOTE: PAGE ILLUSTRATION NUMBERS SHOWN ARE USED ONLY FOR REFERENCE PURPOSES AND SHOULD NOT BE USED FOR ORDERING SPARE PARTS.

PLEASE ENSURE THE CORRECT PART NUMBER AND DESCRIPTION IS GIVEN WHEN ORDERING SPARE PARTS.

FOR MACHINES WITH SERIAL NUMBERS COMMENCING FROM: .....

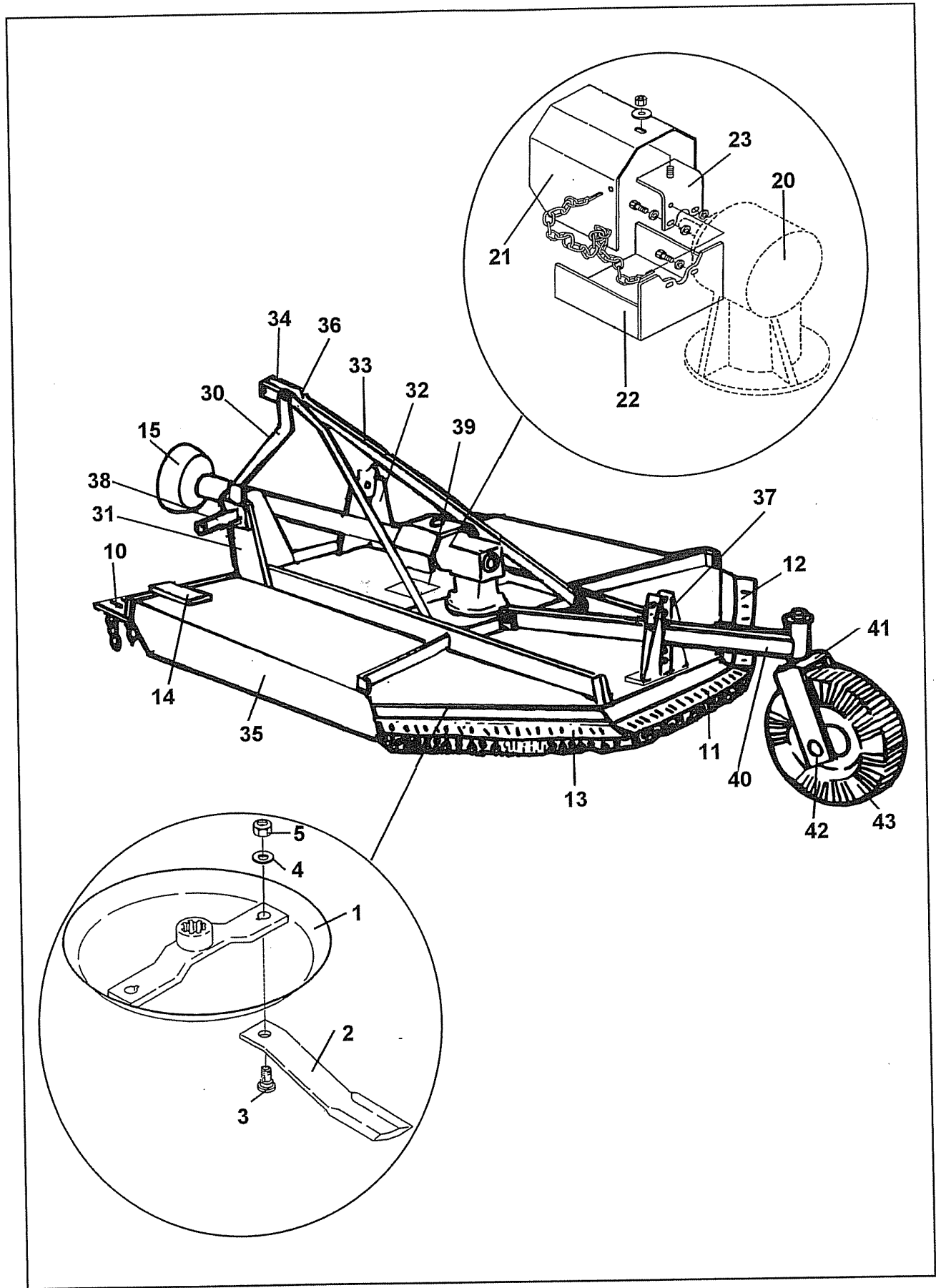
<b>Page No.</b>	<b>Title</b>
2-1 TO 2-4	RS 12 ROTARY SLASHER
3-1	RS 12 GEARBOX
4-1 TO 4-2	RS 15 ROTARY SLASHER
5-1 TO 5-2	RS 18 ROTARY SLASHER
6-1 TO 6-2	RS 15-18 GEARBOX
7-1	RS 15-18 PTO AND SLIP CLUTCH
8-1 TO 8-4	RS 21 ROTARY SLASHER
9-1	RS 21 GEARBOX
10-1	RS 21 PTO AND SLIP CLUTCH
11-1	DECALS

**IMPORTANT**

THIS MACHINE IS FOR VEGETATION CONTROL AND  
**MUST NOT** BE USED FOR ANY OTHER PURPOSE

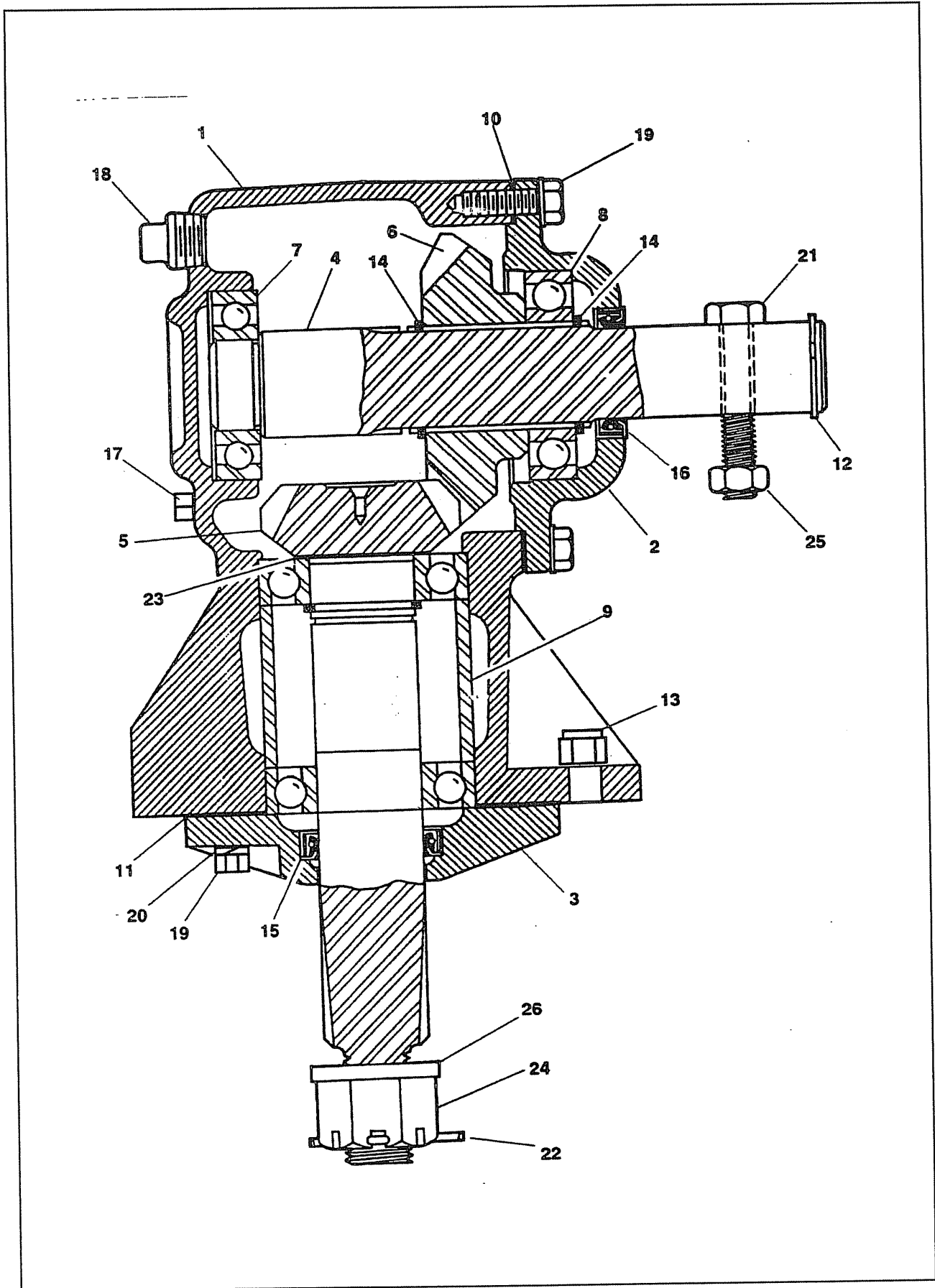
IT IS POTENTIALLY HAZARDOUS TO FIT OR USE  
ANY PARTS OTHER THAN **GENUINE BOMFORD TURNER PARTS**

THE COMPANY DISCLAIMS ALL LIABILITY FOR THE  
CONSEQUENCES OF SUCH USE WHICH, IN ADDITION,  
VOIDS THE MACHINE WARRANTY



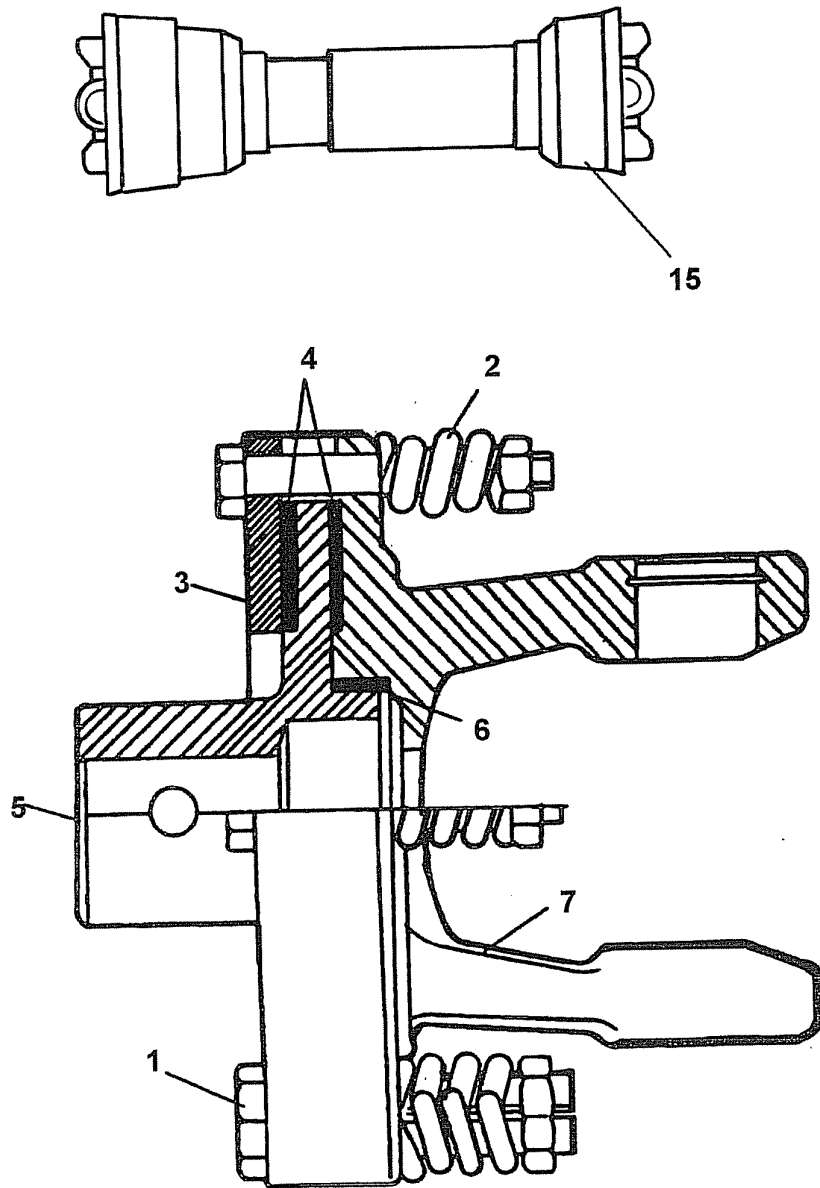
REF	PART NO.	DESCRIPTION	QTY
	<b>76.236.01</b>	<b>RS 18 ROTARY SLASHER</b>	
01	00766638 ▲	BLADE PAN	1
01	00770064	BLADE PAN	1
02	00764667 ▲	BLADE	2
02	1046006	BLADE	2
03	00761402	BOLT	2
04	00761535	WASHER	2
05	0141008	NUT 7/8" UNF AERO STANDARD	2
10	00766539	CHAINGUARD FRONT	1
11	00766529	CHAINGUARD REAR CENTRE	1
12	00766522	CHAINGUARD REAR RH	1
13	00766527	CHAINGUARD REAR LH	1
14	00766536	MOUNTING FLAT	2
15	00759318	PTO SHAFT	1
20	00758654	BREATHER GEARBOX 1/2" BSP	1
*20	0711050100	GEARBOX INC SLOTTED NUT	1
21	00766581	PLATE SHIELD	1
22	00766526	PLATE BRKT BOTTOM	1
23	00766559	HOOD BRACKET	1
30	00766595	BAR "A" FRAME	2
*31	00766586	PLATE HITCH EAR LH	1
31	05.264.24	SETSCREW M12 X 35MM PLATED	4
31	05.264.25	SETSCREW M12 X 40MM PLATED	2
31	05.281.03	FLAT WASHER 12MM PLATED	1
31	05.287.03	SELF-LOCKING NUT M12 PLATED	3
32	00766587	PLATE HITCH EAR RH	1
33	00766591 ▲	BAR LIFT STRAP	2
33	00766540	BAR LIFT STRAP	2
34	00766540	LINK TOP	1
35	00766632 ▲	WELDMENT DECK	1
35	00766632R	WELDMENT DECK	1
36	00766542	BUSHING "A" FRAME	1
*37	00766611	GAUGE WHEEL MOUNT	1
37	00766610	MOUNTING FLAT	1
37	05.281.14	FLAT WASHER 14MM	4
37	05.292.21	BOLT M12 X 80MM PLATED	2
37	05.968.06	S.LOCKING NUT M14 (FINE) PLATE	4
37	9200016	M14 X 1.5 SETSCREW 40 LG	4
38	00.372.01	LINCH PIN	2
*38	00603500	WRIST PIN	2
39	05.264.12	SETSCREW M10 X 25MM PLATED	2
39	05.294.03	SHAKEPROOF WASHER 3/8" PLATED	2
*39	1028006	PLATE COVER	1
39	1028007	STRIP TAPPED	1
40	00766588 ▲	TAILWHEEL BEAM	1
40	00771599	TAILWHEEL BEAM	1
41	00766523	CASTOR FORK	1
42	00766603	SPINDLE C/W LOCK NUT	1
*43	00130010	WHEEL TYRE / INNER RACES	1
43	00013701	BEARING CONE ) order	J
43	00750621	BEARING ) both	0
43	00765337	SPACER	1
43	00013600	SEAL	2
43	05.953.01	GREASE NIPPLE M6	1
43	0891030300	PIN	1
45	42255.01	SPACER - FRONT GUARD	2
46	41346.01	STRAP - TRANSPORT	1

▲ For machines up to and including 3424J/98



ITEM	PART NO.	QTY.	DESCRIPTION
1	00563900	1	MAIN HOUSING
2	00564300	1	FRONT HOUSING
3	00757683	1	BEARING RETAINER CAP
4	00564700	1	SHAFT, INPUT
5	00564000	1	SHAFT & PINION GEAR
6	00564600	1	INPUT GEAR
7	00564800	1	BALL BEARING
8	00563700	3	BALL BEARING
9	00757682	1	BEARING SPACER
10	00564400	AR	SHIMS
11	00760929	AR	GASKET .25
-	00760928	AR	GASKET .1
12*	7192	1	RETAINING RING
13	02956948	4	LOCKNUT
14	00564100	3	RETAINING RING
15	00563500	1	OIL SEAL
16	00564200	1	OIL SEAL
17	00565000	1	PIPE PLUG
18	00749508	1	PIPE PLUG
19	00011400	6	BOLT
20	02161100	10	LOCKWASHER, EXT. TOOTH
21*	02-12-245	1	BOLT
22	05-03-245	1	COTTER PIN
23	00758671	AR	SHIM - GEAR
24	7202	1	HEX SLOTTED NUT
25*	00001800	1	LOCKNUT
26	6192	1	FLAT WASHER SPECIAL

\* NOT INCLUDED w/GEARBOX ASSEMBLY



ITEM	PART NO.	QTY.	DESCRIPTION
1	-	8	NUT & BOLT
2	-	8	SPRING
3	-	1	OUTER FLANGE
4	00752902	2	FRICITION LINING
5	-	1	BODY
6	-	1	SPACER
7	-	1	YOKE
8	-	1	DIRT SHIELD
15	00759318	1	SHAFT ASSEMBLY

**This page is intentionally left blank.**

REF	PART NO.	DESCRIPTION	QTY
	<b>76.235.01</b>	<b>DECALS</b>	
01	09.811.04	DECAL - MAX PTO SPEED 540 ACW	1
02	09.821.01	DECAL - READ INSTRUCTION BOOK	1
03	09.821.10	DECAL - KEEP NUTS TIGHT	1
04	09.821.16	DECAL - KEEP OUT ZONE	1
05	09.821.17	DECAL - UNSUPPORTED MACHINE	1
06	09.821.18	DECAL - THROWN DEBRIS	1
08	09.821.19	DECAL - ROTARY HEAD DANGER	1
09	09.821.20	DECAL - SHAFT ENTANGLEMENT	1
10	00763612	TAG SLIP CLUTCH	1
10	09.821.22	DECAL - UNBLOCK HEAD(ROTARY)	1
11	09.837.02	DECAL - BOMFORD	2
13	05.227.01	HAMMER DRIVE SCREW NO.6 X 3/8"	2
12	09.837.01	DECAL - BOMFORD	2
13	00756004	DECAL - DRIVELINE MISSING	1
13	05.774.06	SERIAL NO.PLATE BOMFORD TURNER	1
14	41748.01	DECAL RS - 12	2
15	41748.02	DECAL RS - 15	2
16	41748.03	DECAL RS - 18	2
17	41748.03	DECAL RS - 21	2