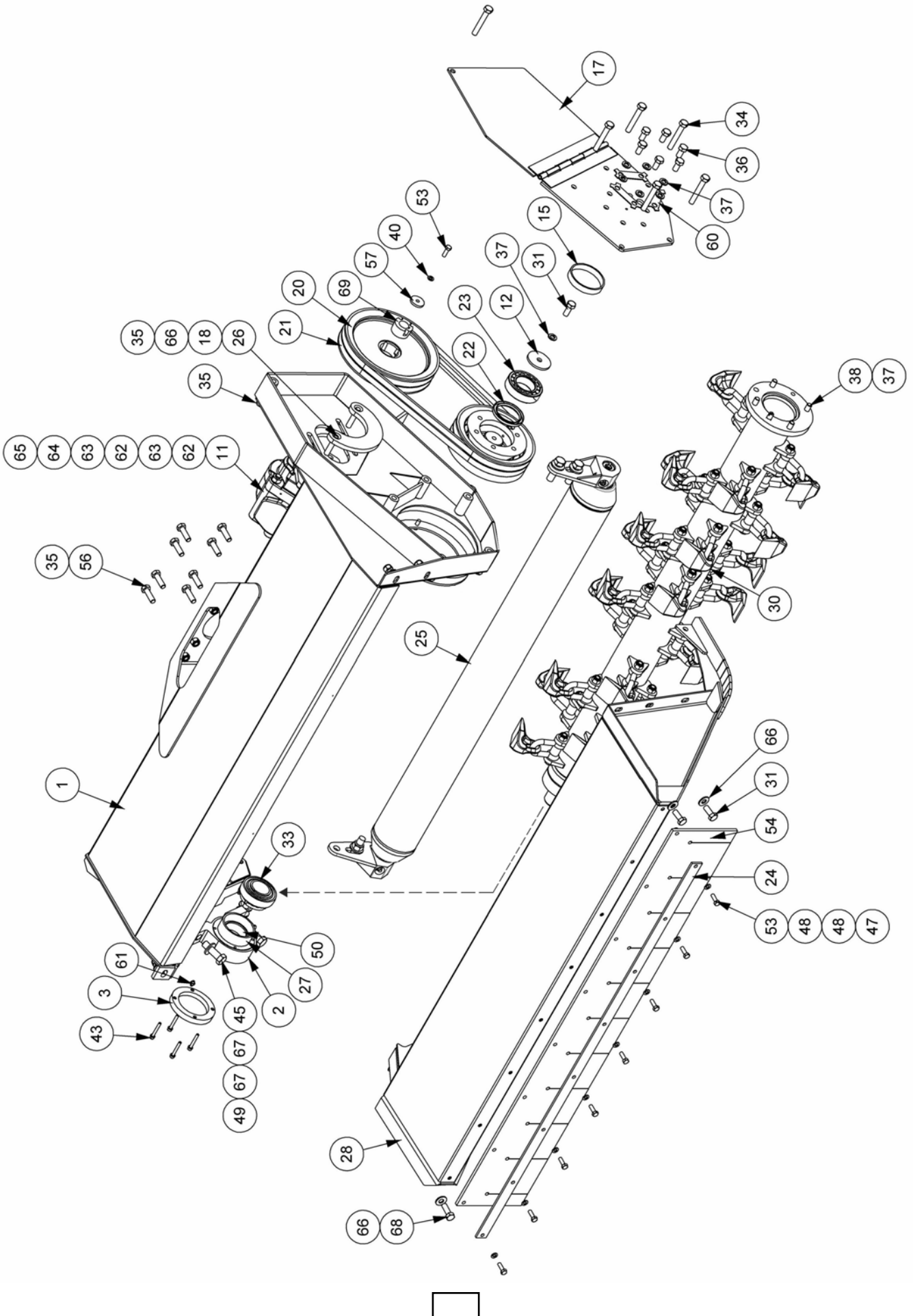


FLAILHEADS
- ZD120 Series -

FLAILHEAD ASSEMBLY

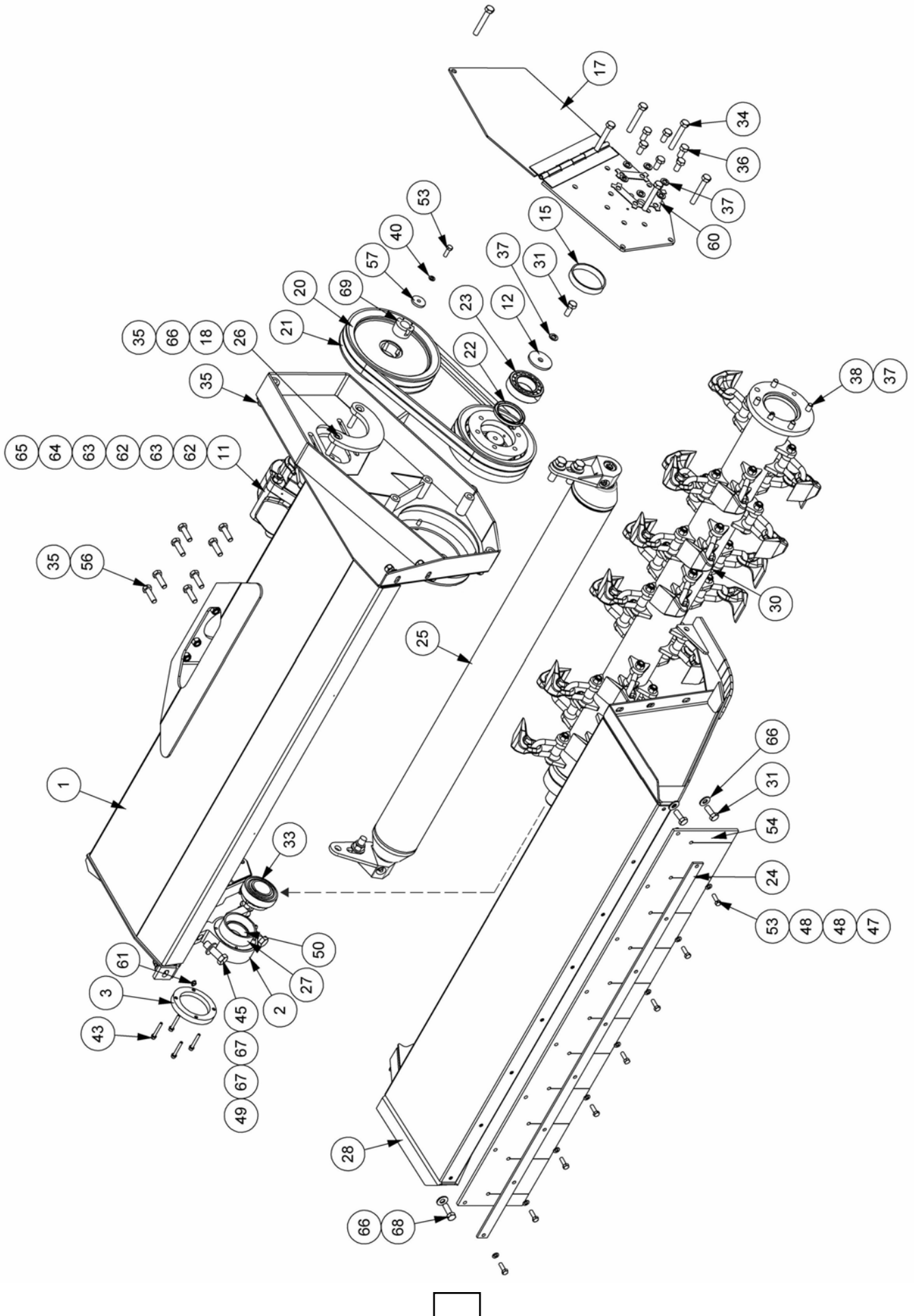


FLAILHEAD ASSEMBLY

REF.	QTY.	PART No.	DESCRIPTION
			1.2M STANDARD POWER FLAILHEAD
			1.2M HIGH POWER FLAILHEAD
1	1	184.615A	1.2M HEAD
2	1	192.024	HEAD BEARING HOUSING
3	1	192.025	BEARING CAP
4	2	T8029	BEARING
5	2	T7898	BEARING
6	2	184.589	SPACER
7	2	184.588	STUB SHAFT
8	2	174.006	WASHER
9	1	184.622L	LH ROLLER BRACKET
10	1	184.622R	RH ROLLER BRACKET
11	1	T8027	FLAIL HEAD MOTOR - STD. POWER
	1	8301315	FLAIL HEAD MOTOR - HIGH POWER
12	1	184.461	WASHER
13	1	184.446	ROTOR PULLEY
14	1	184.448	BEARING HOUSING
15	1	184.464	BEARING SPACER
16	1	184.489	DOWEL PIN
17	1	184.623	DRIVE COVER
18	1	184.624	MOTOR PLATE - STD. POWER BUILDS
	1	184.625	MOTOR PLATE - HIGH POWER BUILDS
19	1	184.636	GRASS RING
20	1	188.061	MOTOR PULLEY
21	2	T7692	VEE BELT
22	1	T7790	OIL SEAL RING
23	1	T7840	BEARING
24	2	184.617A	CLAMP STRIP
25	1	184.621A	ROLLER
26	1	184.463	MOTOR CLAMP - STD. POWER BUILDS
	1	188.145	MOTOR CLAMP - HIGH POWER BUILDS
27	1	192.026	BEARING SHIELD
28	1	184.616A	NOSE
29	2	184.689	SHIELD ROLLER
30	1	184.733	1.2M ROTOR MODULE
31	4	9313066	SETSCREW
32	3	T2923	GREASE NIPPLE
33	1	T7941	SELF LUBE BEARING C/W SLEEVE
34	6	9213166	BOLT
35	22	9163006	NYLOC NUT
36	6	05.264.22	SETSCREW
37	11	9100206	SPRING WASHER
38	4	T7855	BOLT
39	3	9313044	SETSCREW



FLAILHEAD ASSEMBLY

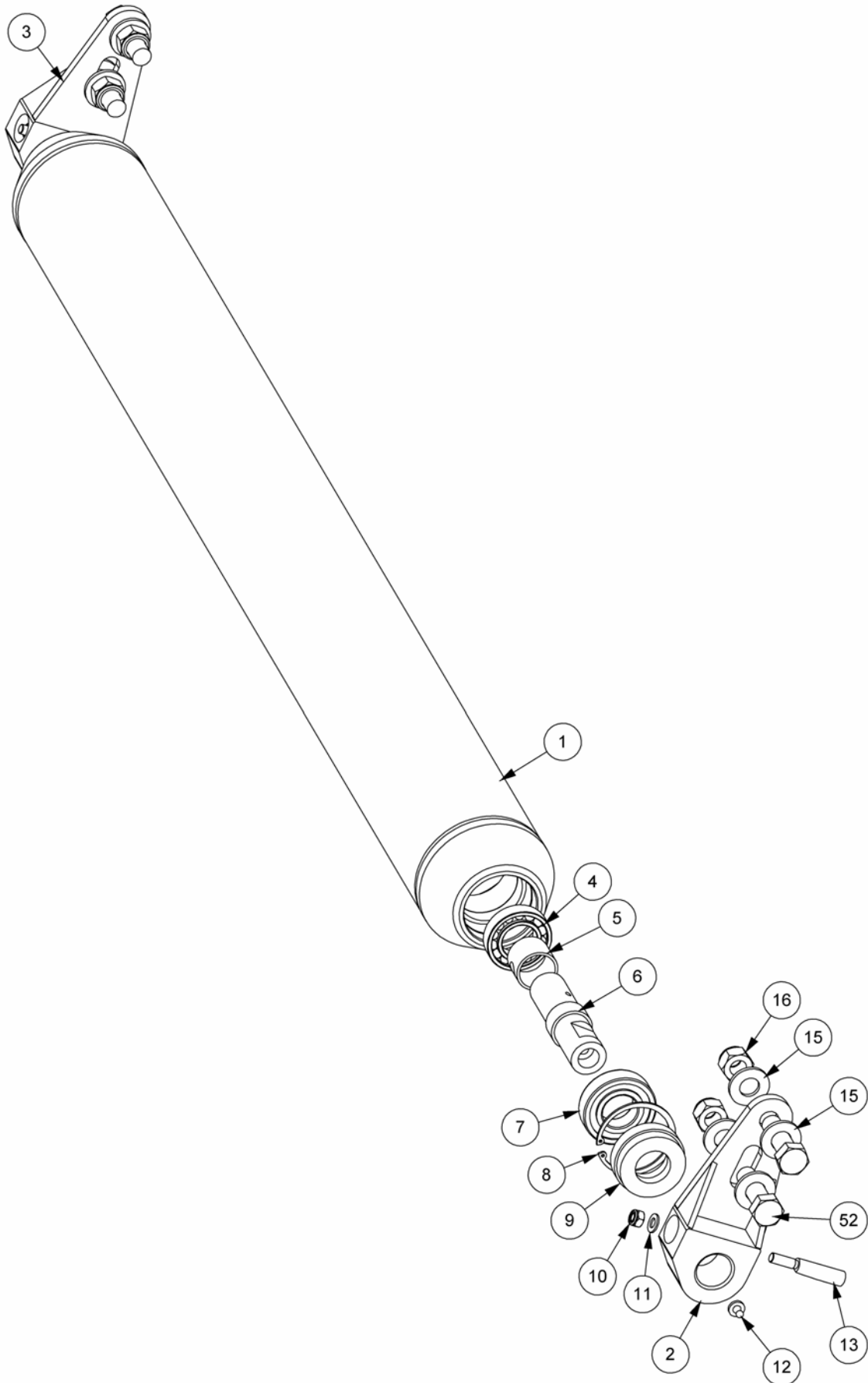


FLAILHEAD ASSEMBLY

REF.	QTY.	PART No.	DESCRIPTION
			1.2M STANDARD POWER FLAILHEAD
			1.2M HIGH POWER FLAILHEAD
40	4	9100204	SPRING WASHER
41	1	T8172	SETSCREW
42	2	9117005	NUT
43	4	T6985	CAPSCREW
44	4	9100203	SPRING WASHER
45	2	9213117	BOLT
46	2	1840591	COTTER PIN
47	18	9163004	NYLOC NUT
48	34	T3111	FLAT WASHER
49	6	9163007	NYLOC NUT
50	1	184.729	BEARING SPACER
51	2	411262	INTERNAL CIRCLIP
52	4	9313117	SETSCREW
53	17	9313054	SETSCREW
54	2	1840476F	CURTAIN
55	1	184.615.900	STICKER MODULE
56	8	9213086	BOLT
57	1	184.603	RETAINING WASHER
58	1	0311083	SCREW
59	1	0100203	SPRING WASHER
60	3	184.600	TAB WASHER
61	1	0901161	GREASE NIPPLE
62	2	8581136	ADAPTOR
63	2	8650106	BONDED SEAL
64	1	8581169	ADAPTOR
65	1	8650102	BONDED SEAL
66	14	9100106	FLAT WASHER
67	12	0100106	WASHER
68	3	9313076	SETSCREW
69	1	184.691	TAPER LOCK - STD. POWER BUILDS
	1	7990-2	TAPER LOCK - HIGH POWER BUILDS
			R/H CONVERSION KIT
70	2	186.058	HYDRAULIC STEEL PIPE
71	2	184.517	PIPE CLAMP
72	2	9213105	BOLT
73	2	9100205	SPRING WASHER



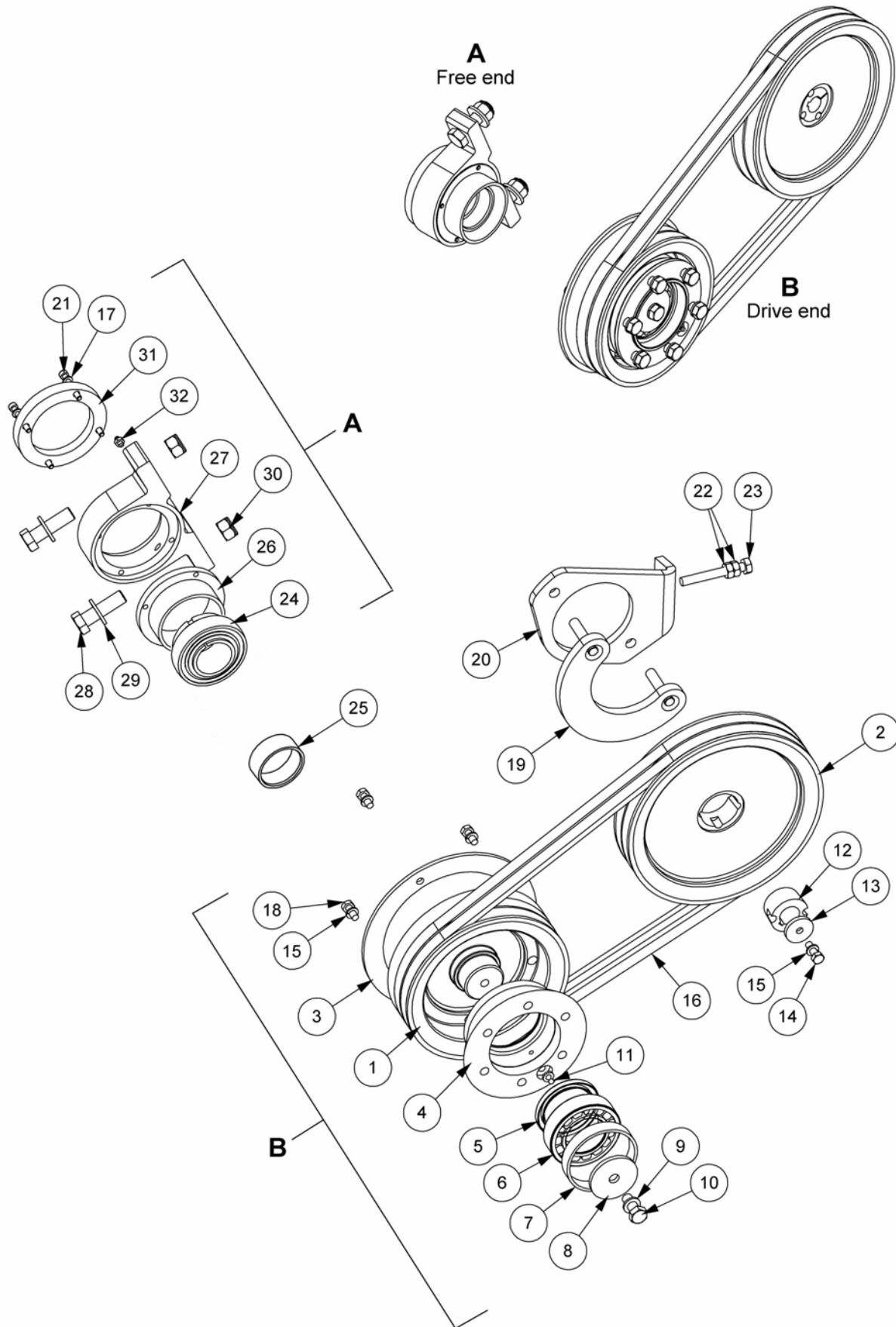
ROLLER ASSEMBLY



ROLLER ASSEMBLY

REF.	QTY.	PART No.	DESCRIPTION
			1.2M ROLLER ASSEMBLY
1	1	184.621A	ROLLER
2	1	184.622R	RH ROLLER BRACKET
3	1	184.622L	LH ROLLER BRACKET
4	2	T8029	BEARING
5	2	184.589	SPACER
6	2	184.588	STUB SHAFT
7	2	T7898	BEARING
8	2	0411262	INTERNAL CIRCLIP
9	2	184.689	ROLLER SHIELD
10	2	9163004	NYLOC NUT
11	34	T3111	WASHER
12	3	T2923	GREASE NIPPLE
13	2	1840591	COTTER PIN (SPECIAL)
14	4	9313117	SETSCREW
15	12	0100106	WASHER
16	6	9163007	NYLOC NUT

DRIVE ASSEMBLY



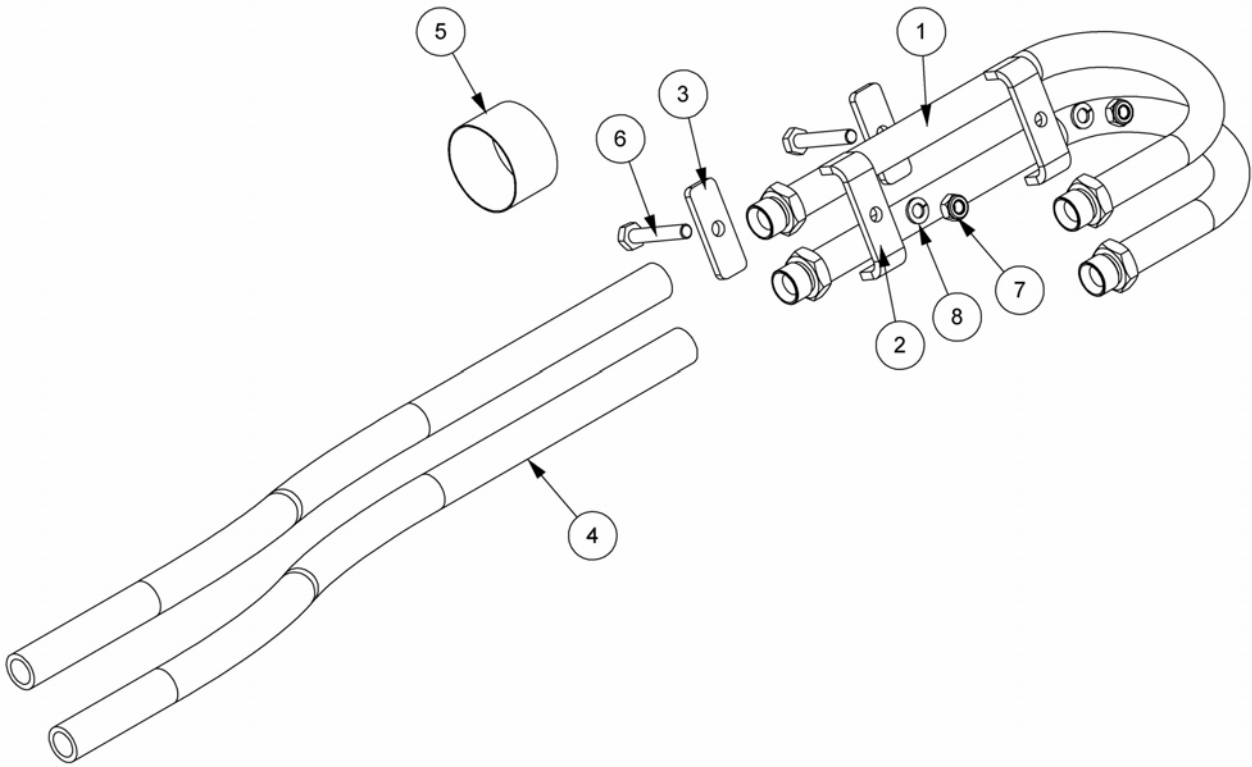
DRIVE ASSEMBLY

REF.	QTY.	PART No.	DESCRIPTION
ZD120 FLAILHEAD - DRIVE ASSEMBLY			
1	1	184.446	ROTOR PULLEY
2	1	188.061	MOTOR PULLEY
3	1	184.636	GRASS RING
4	1	184.448	BEARING HOUSING
5	1	T7790	OIL SEAL RING
6	1	T7840	BEARING
7	1	184.464	BEARING SPACER
8	1	184.461	WASHER
9	11	9100206	SPRING WASHER
10	4	9313066	SETSCREW
11	3	T2923	GREASE NIPPLE
12	1	184.691	TAPER LOCK - STD. POWER BUILDS
	1	7990-2	TAPER LOCK - HIGH POWER BUILDS
13	1	184.603	RETAINING WASHER
14	17	9313054	SETSCREW
15	4	9100204	SPRING WASHER
16	2	t7692	VEE BELT
17	4	9100203	SPRING WASHER
18	3	9313044	SETSCREW
19	1	184.463	MOTOR CLAMP - STD. POWER BUILDS
	1	188.145	MOTOR CLAMP - HIGH POWER BUILDS
20	1	184.624	MOTOR PLATE - STD. POWER BUILDS
	1	184.625	MOTOR PLATE - HIGH POWER BUILDS
21	4	T6985	CAPSCREW
22	2	9117005	NUT
23	1	T8172	SETSCREW
24	1	T7941	SELF LUBE BEARING C/W SLEEVE
25	1	184.729	BEARING SPACER <i>(Rotor Assembly Component)</i>
26	1	192.026	BEARING SHIELD
27	1	192.024	HEAD BEARING HOUSING
28	2	9213117	BOLT
29	2	0100106	WASHER
30	6	9163007	NYLOC NUT
31	1	192.025	BEARING CAP
32	1	0901161	GREASE NIPPLE



R/H CONVERSION KIT (Standard Power Builds)

184.716A - R/H CONVERSION KIT (STANDARD POWER)

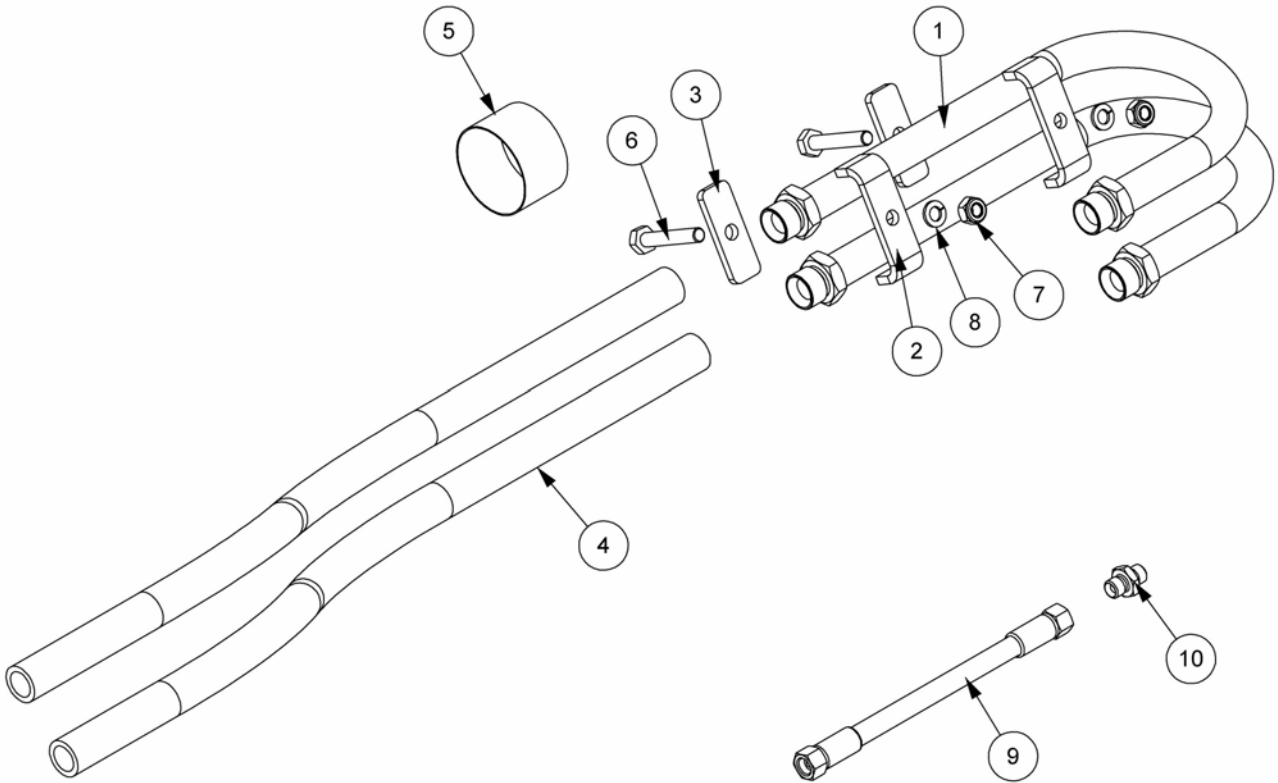


REF.	QTY.	PART No.	DESCRIPTION
		184.716A	R/H CONVERSION KIT - STD. POWER
1	2	186.058	HYDRAULIC STEEL PIPE
2	2	184.517	PIPE CLAMP
3	2	184.731	CLAMP PLATE
4	2	004.442.01	HOSE - 3/4" BSP STXST x 655mm
5	1	T7947	LAY FLAT 65MM BORE (YELLOW)
6	2	9213125	BOLT
7	2	9163005	NYLOC NUT
8	2	9100205	SPRING WASHER



R/H CONVERSION KIT (High Power Builds)

184.716B - R/H CONVERSION KIT (HIGH POWER)

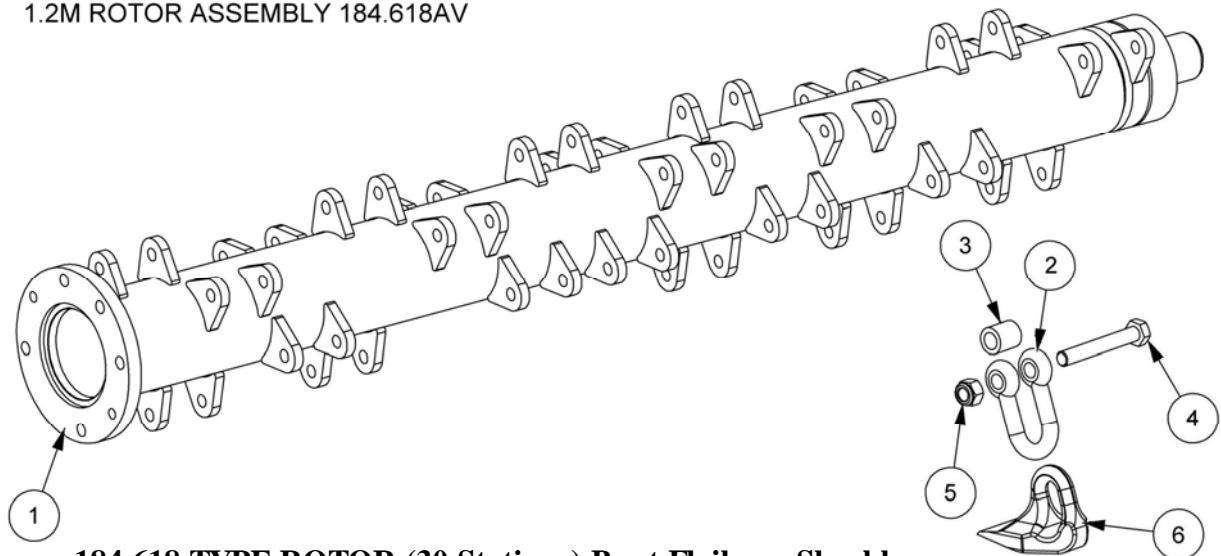


REF.	QTY.	PART No.	DESCRIPTION
		184.716B	R/H CONVERSION KIT - HIGH POWER
1	2	186.058	HYDRAULIC STEEL PIPE
2	2	184.517	PIPE CLAMP
3	2	184.731	CLAMP PLATE
4	2	004.442.01	HOSE - 3/4" BSP STXST x 655mm
5	1	T7947	LAY FLAT 65MM BORE (YELLOW)
6	2	9213125	BOLT
7	2	9163005	NYLOC NUT
8	2	9100205	SPRING WASHER
9	1	10.001.24	HOSE - 1/4"B SP FS/FS x 1400mm
10	1	8581169	ADAPTOR



1.2M ROTOR & FLAIL ASSEMBLIES

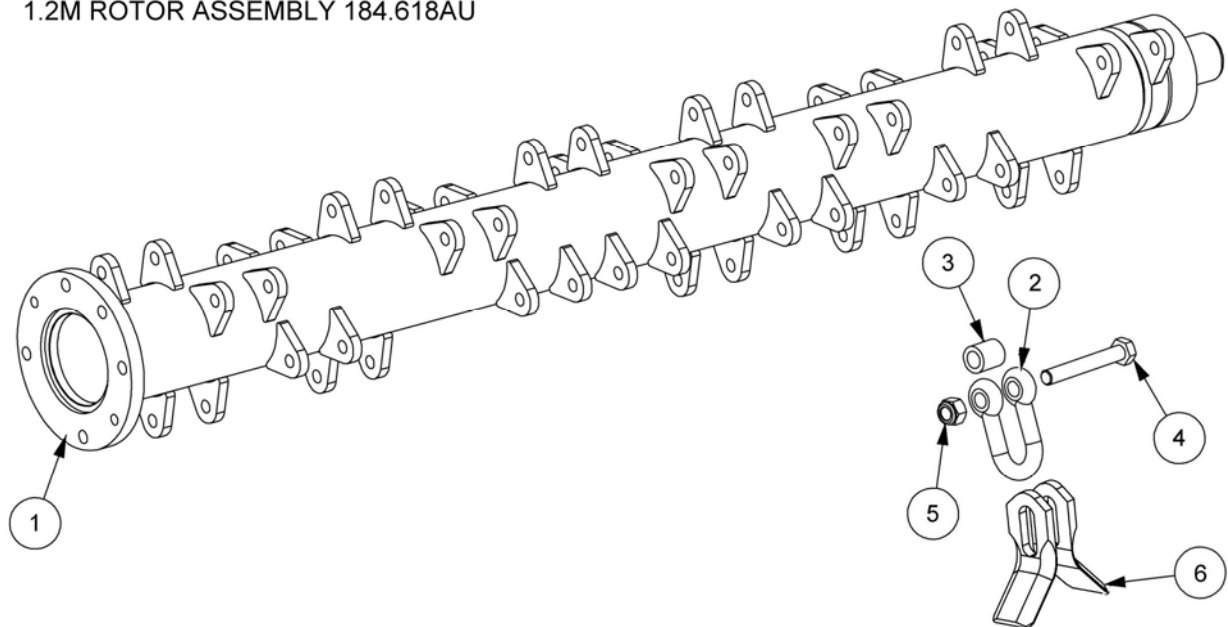
1.2M ROTOR ASSEMBLY 184.618AV



184.618 TYPE ROTOR (30 Stations) Boot Flails on Shackles

1	1	184.618AV	1.2M ROTOR c/w FLAILS & END BEARING
2	30	T1920052	SHACKLE
3	30	192.053	SPACER
4	30	1920069	BOLT
5	30	8095	NYLOCK NUT (FINE)
6	30	09.902.01	BOOT FLAIL

1.2M ROTOR ASSEMBLY 184.618AU



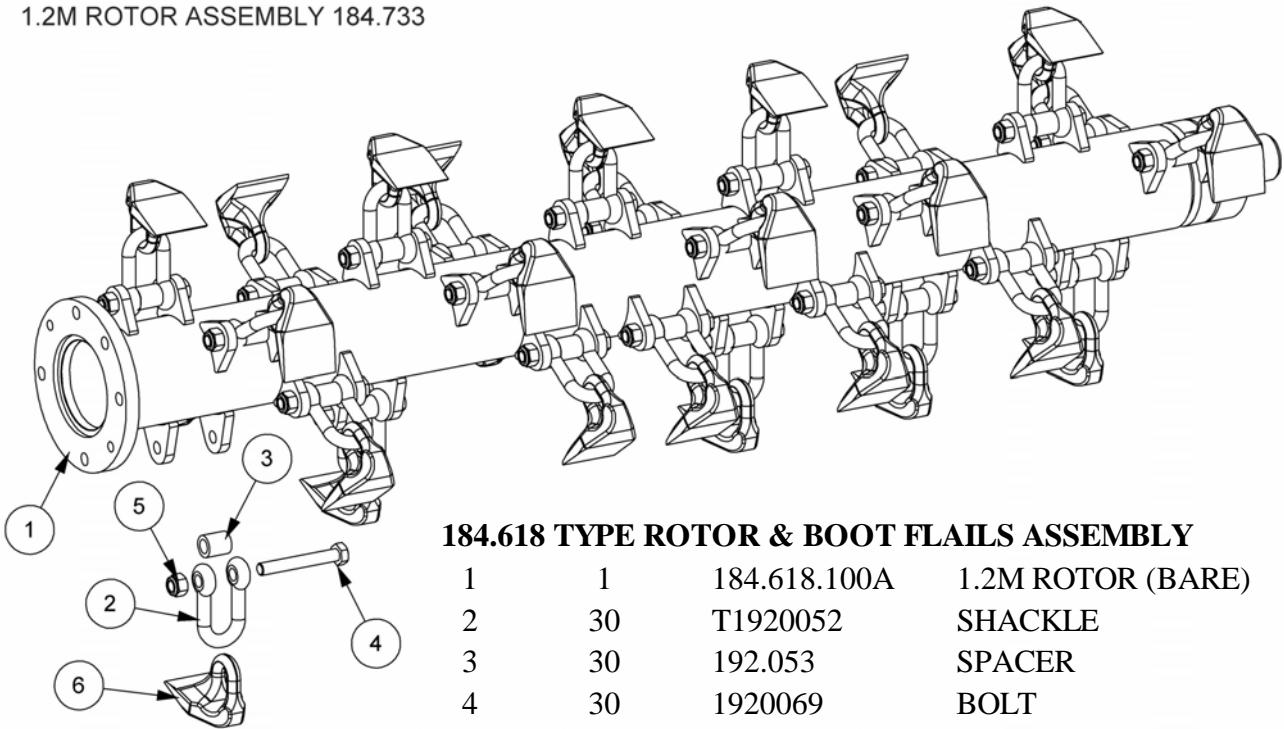
184.618 TYPE ROTOR (30 Stations) Back to Back Flails on Shackles

1	1	184.618AU	1.2M ROTOR c/w FLAILS & END BEARING
2	30	T1920052	SHACKLE
3	30	192.053	SPACER
4	30	1920069	BOLT
5	30	8095	NYLOCK NUT (FINE)
6	60	199.999	BACK TO BACK FLAIL



1.2M ROTOR & FLAIL ASSEMBLIES

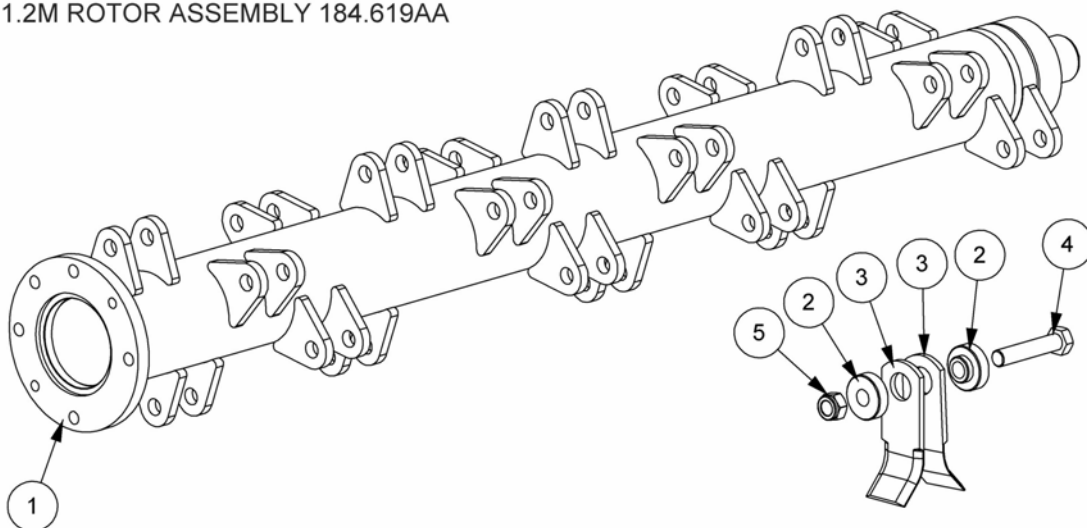
1.2M ROTOR ASSEMBLY 184.733



184.618 TYPE ROTOR & BOOT FLAILS ASSEMBLY

1	1	184.618.100A	1.2M ROTOR (BARE)
2	30	T1920052	SHACKLE
3	30	192.053	SPACER
4	30	1920069	BOLT
5	30	8095	NYLOCK NUT (FINE)
6	30	09.902.01	BOOT FLAIL

1.2M ROTOR ASSEMBLY 184.619AA



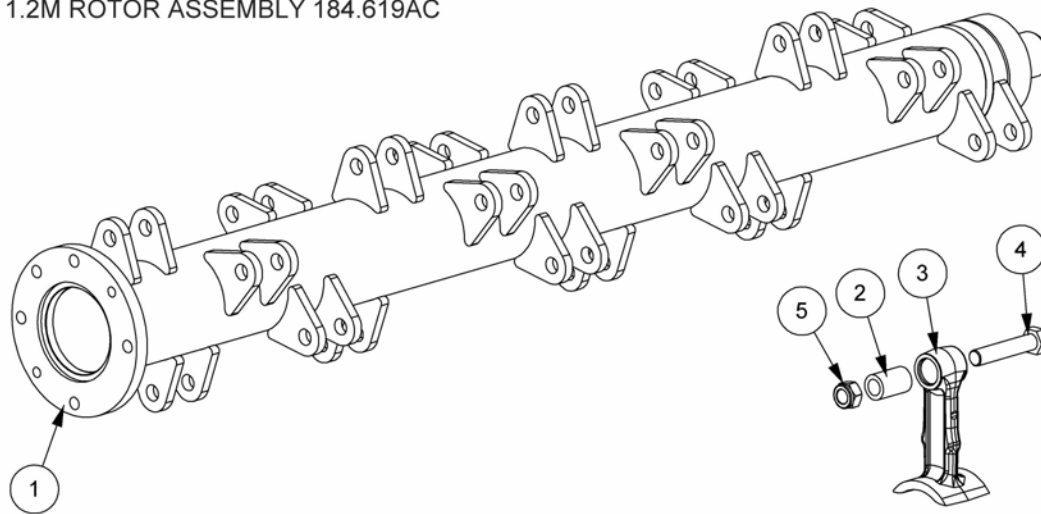
184.619 TYPE ROTOR (24 Stations) with Rigid 'Back to Back' Flails

1	1	184.619AA	1.2M ROTOR c/w FLAILS & END BEARING
2	48	184.500	SPACER
3	48	7190315	FLAIL - BACK TO BACK
4	24	T7943	BOLT
5	24	T7942	NYLOCK NUT (FINE)



1.2M ROTOR & FLAIL ASSEMBLIES

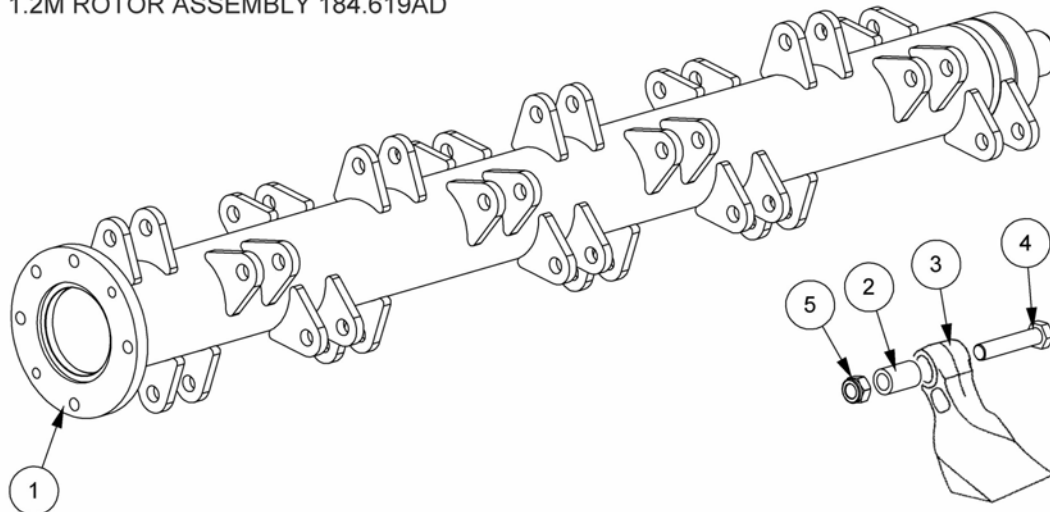
1.2M ROTOR ASSEMBLY 184.619AC



184.619 TYPE ROTOR (24 Stations) with Lump Flails

1	1	184.619AC	1.2M ROTOR c/w FLAILS & END BEARING
2	24	184.106	SPACER
3	24	1840093C	FLAIL - HEAVY DUTY
4	24	T7943	BOLT
5	24	T7942	NYLOCK NUT (FINE)

1.2M ROTOR ASSEMBLY 184.619AD



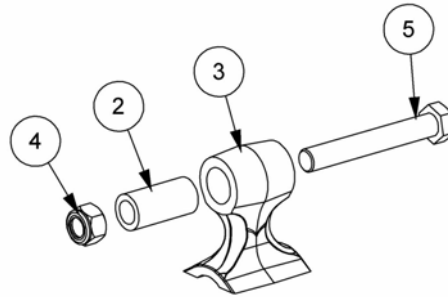
184.619 TYPE ROTOR (24 Stations) with Rigid 'Back to Back' Flails

1	1	184.619AD	1.2M ROTOR c/w FLAILS & END BEARING
2	24	184.106	SPACER
3	24	T1840330	FLAIL - HEAVY DUTY GRASS
4	24	T7943	BOLT
5	24	T7942	NYLOCK NUT (FINE)



1.2M ROTOR & FLAIL ASSEMBLIES

1.2M ROLLICOUPE ROTOR 184.620
Rotor not illustrated



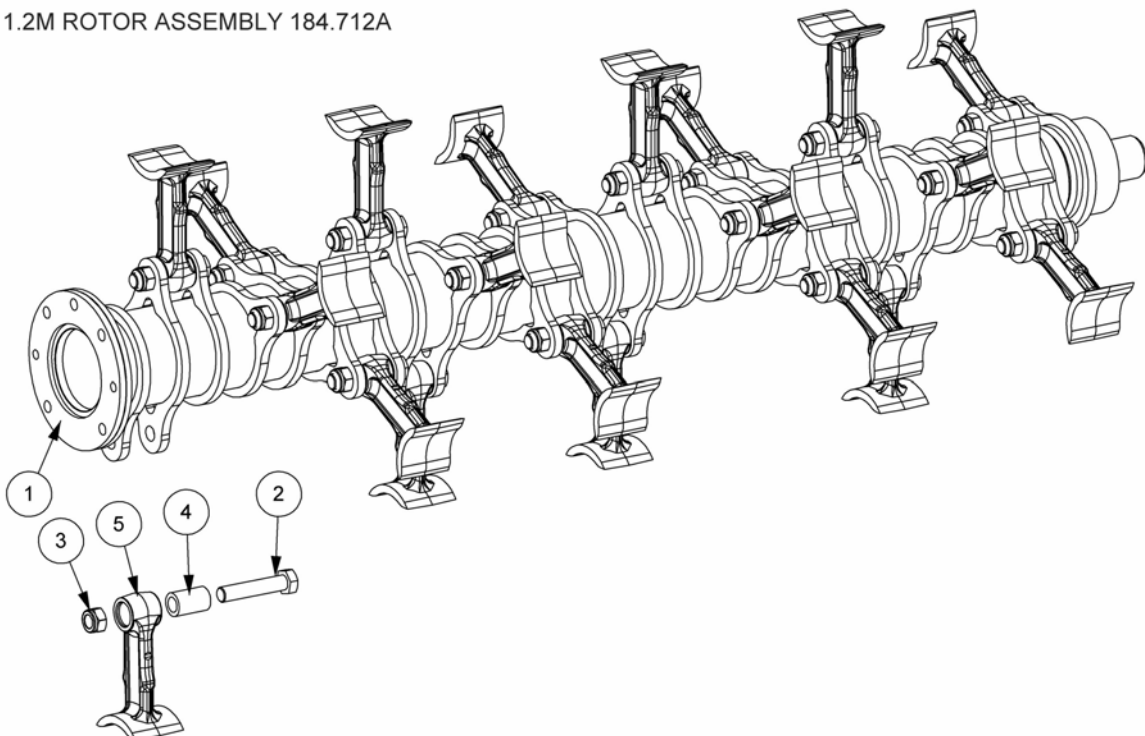
184.620 TYPE ROTOR (20 Stations) with Rollicoupe Flails

1	1	184620G	* 1.2M ROTOR c/w FLAILS & END BEARING
2	20	184.571	SPACER
3	20	1840572	FLAIL - ROLLICOUPE
4	20	9163007	NYLOCK NUT
5	20	8092U	BOLT

* *not illustrated*

Rotor 184.620 is a highly specialised rotor which accepts only the type of flail listed. The rotors appearance is totally different to those illustrated previously, the structure resembles a large cyclinder into which the flails can retract.

1.2M ROTOR ASSEMBLY 184.712A



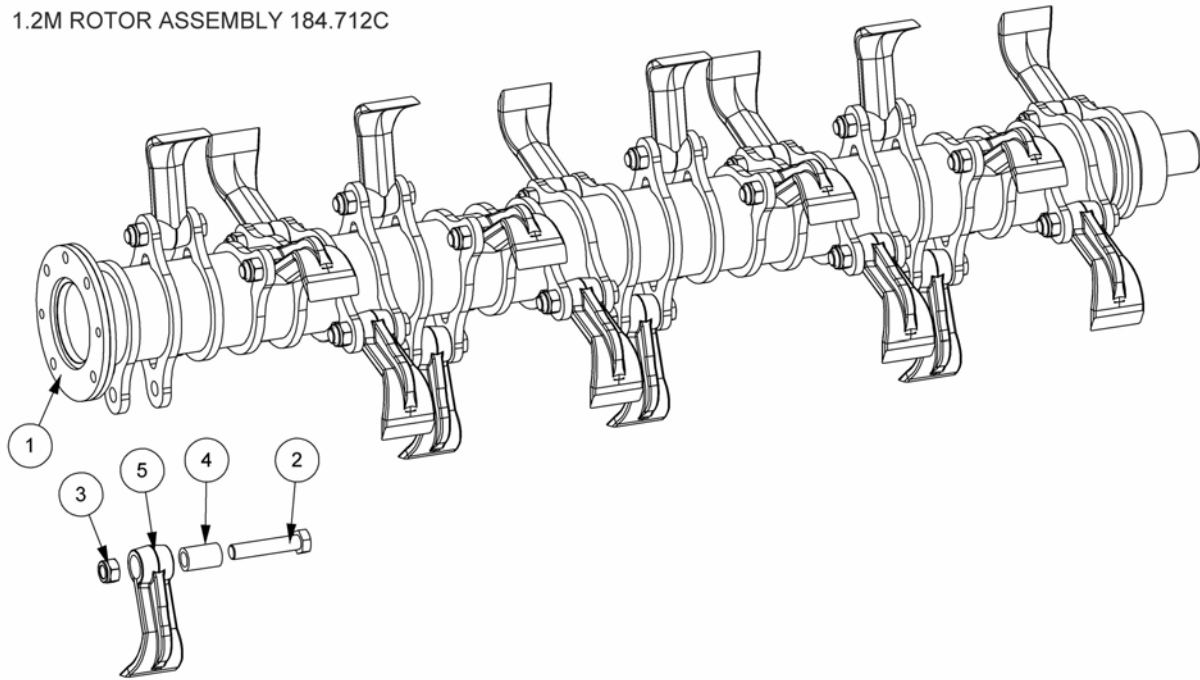
184.701 TYPE ROTOR (24 Stations) with Heavy Duty Flails

1	1	184.701A	1.2M 'WRAP AROUND' ROTOR (BARE)
2	24	T7943	BOLT
3	24	T7942	NYLOC NUT
4	24	184.106	FLAIL SPACER
5	24	1840093C	FLAIL - HEAVY DUTY



1.2M ROTOR & FLAIL ASSEMBLIES

1.2M ROTOR ASSEMBLY 184.712C



184.701 TYPE ROTOR (24 Stations) with Single Edged Flails

1	1	184.701A	1.2M 'WRAP AROUND' ROTOR (BARE)
2	24	T7943	BOLT
3	24	T7942	NYLOC NUT
4	24	184.106	FLAIL SPACER
5	24	7390276	FLAIL - SINGLE EDGED

