

Parts Manual for
WGC No: 7434911
PA3430 MOTION MINI ERC(ON/OFF)



All parts are not created equal and before you settle on an imitation part, know this - McConnel Genuine Parts offer the safety, durability and warranty protection you expect. You've made an investment in your equipment; now invest in its future.

- We design and build to exact specifications requiring strict chemical strength and performance characteristics. (Never reverse engineered like imitation parts).
- McConnel Genuine Parts meet the rigid guidelines necessary to satisfy warranty requirements.
- Our parts experts are available to answer any questions and have first -hand knowledge of all equipment.
- McConnel Genuine Parts are tested to meet all safety standards.
- McConnel parts have a 6 month warranty when fitted by an authorised Dealer.

McCONEL LIMITED

For parts supply contact your local Dealer or Stockist

To help them help you, always quote:

- ***Machine Type***
- ***Serial Number***
- ***Part Number***

Design improvements may alter some of the parts listed in this manual – the latest part will always be supplied when it is interchangeable with an earlier one.

McCONNEL PARTS DEPARTMENT

Telephone: +44 (0)1584 873131 **Fax:** +44 (0)1584 872223
Direct Parts Line: +44 (0)1584 876888 **Email:** parts@mcconnel.com

CONTENTS

Page No	Schedule No	Schedule Description
1	22674.51	PA3430 + PA4330 OPERATOR
3	7313282	CAB CTRL MTG MOD
5	7313324	GUARD KIT
7	7434501	MAIN FRAME MODULE
9	7434503	TANK MOUDLE RH
11	8401168	FILTER
13	7434511	ANGLING GEAR
15	7434514	ROCKER MODULE
17	7434517	MAIN ARM MODULE
19	743452204	HOSE KIT
21	7434525	DIPPER MODULE
23	7434533	MODULE DIPPER RH
25	7434540	TANK FITTINGS
27	7434542	PUMP AND GEARBOX
29	8201466	PUMP
31	7434557	ACV ASSY
33	22525.57	SOLENOID
35	22523.20	MANIFOLD ASSY
37	22524.48	ADAPTOR KIT
39	7434568	RCV ON/OFF
41	7434572	HYD INST
43	41014.12	RAM
45	41015.03	RAM ASSY
47	41322.02	RAM
49	7191072	RAM
51	7434576	PACKING KIT
53	7434580	BASIC STICKER KIT
55	7434584	PA3430 MCC DECAL KIT
57	7434627	STABILIZER KIT
59	7434674	GUARD MODULE
61	8402919	MINI XTC KIT
63*	8126376	LIFT FLOAT KIT-PA3430/4330 BSP

* optional component

Publication 651
July 2010
Part No. 22674.51

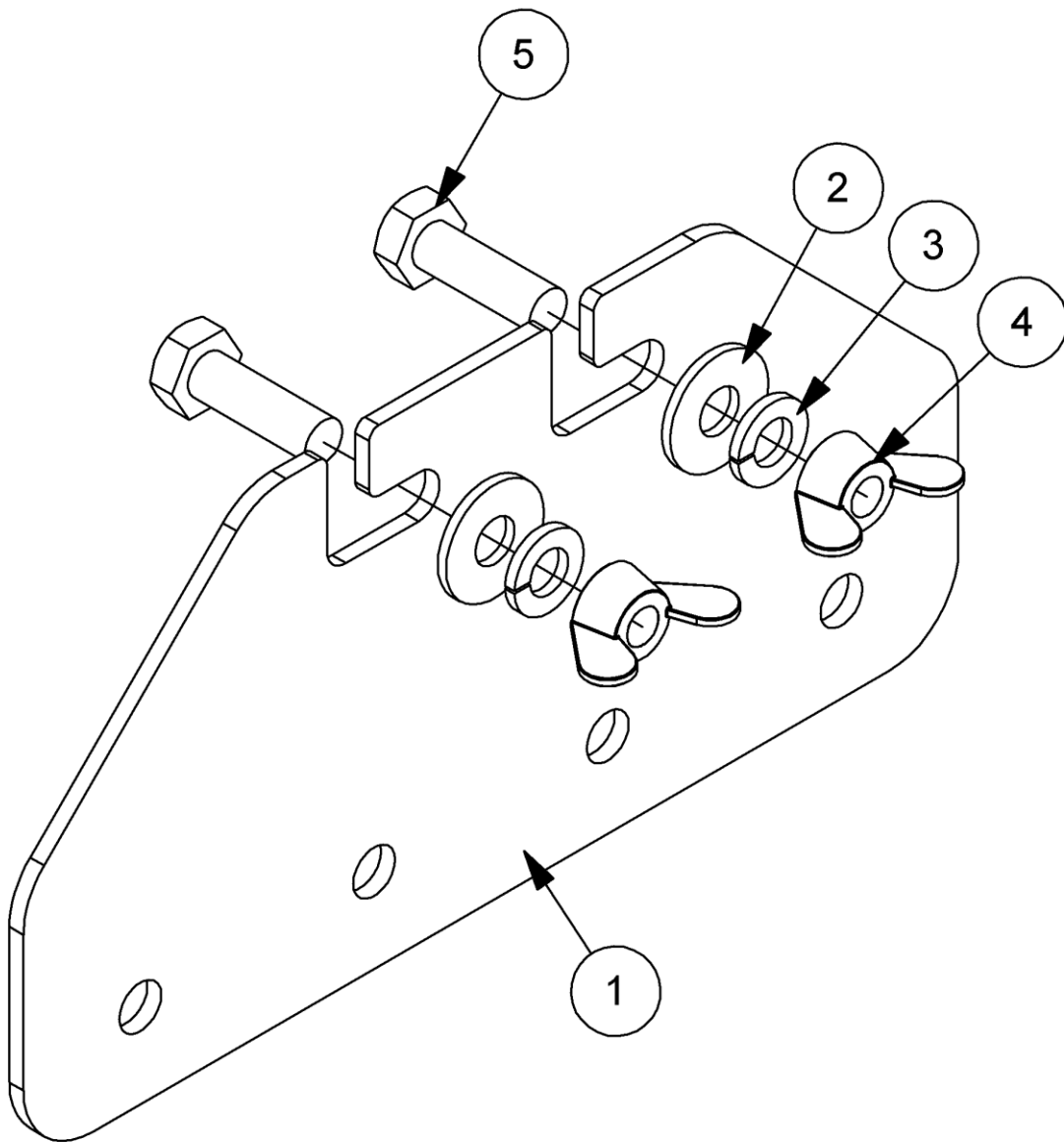


McCONNEL

PA3430 / PA4330 Series COMPACT TRIMMER / MOWER

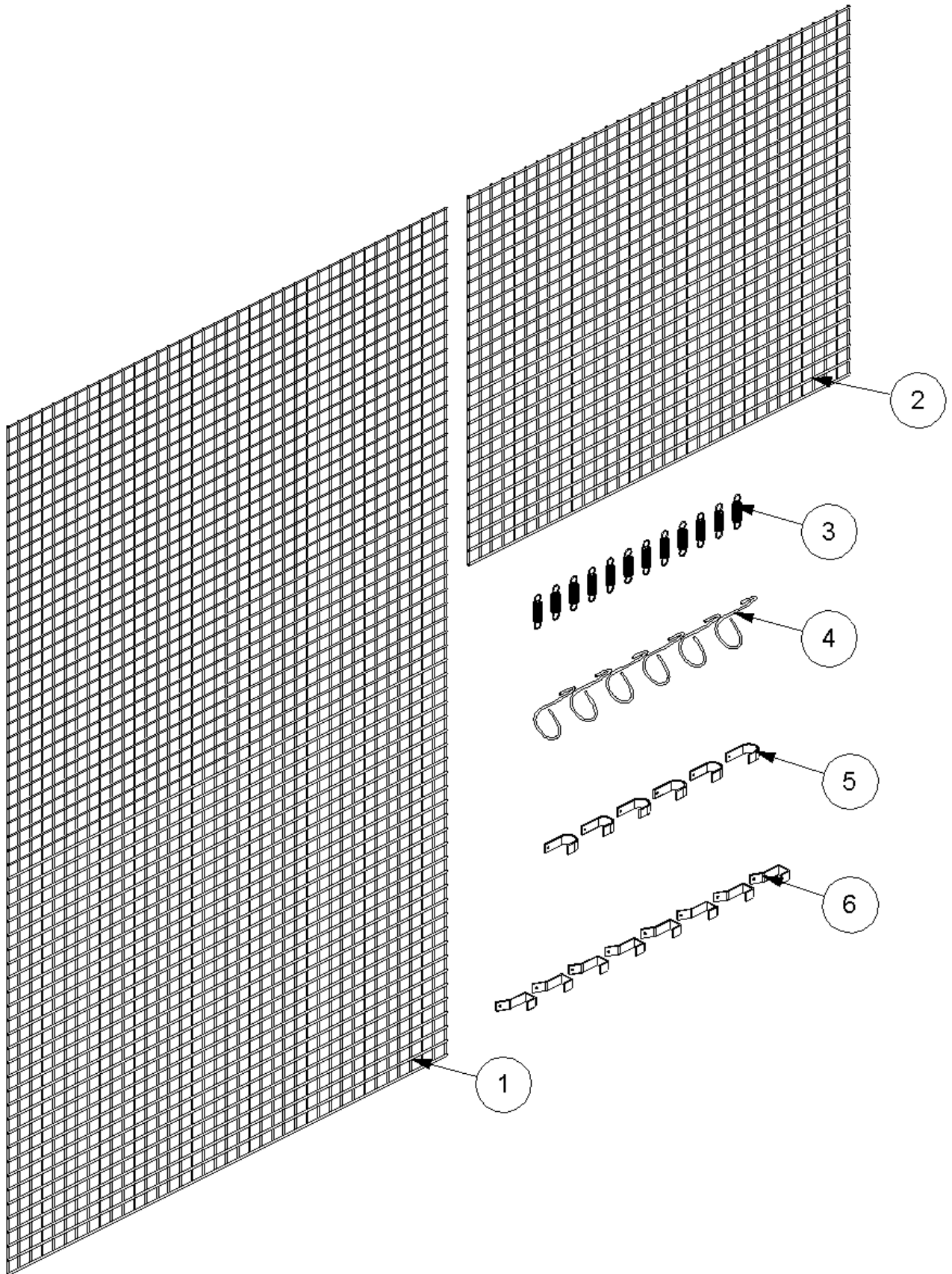
Operator Manual





7313282 B - CAB CTRL MTG MOD

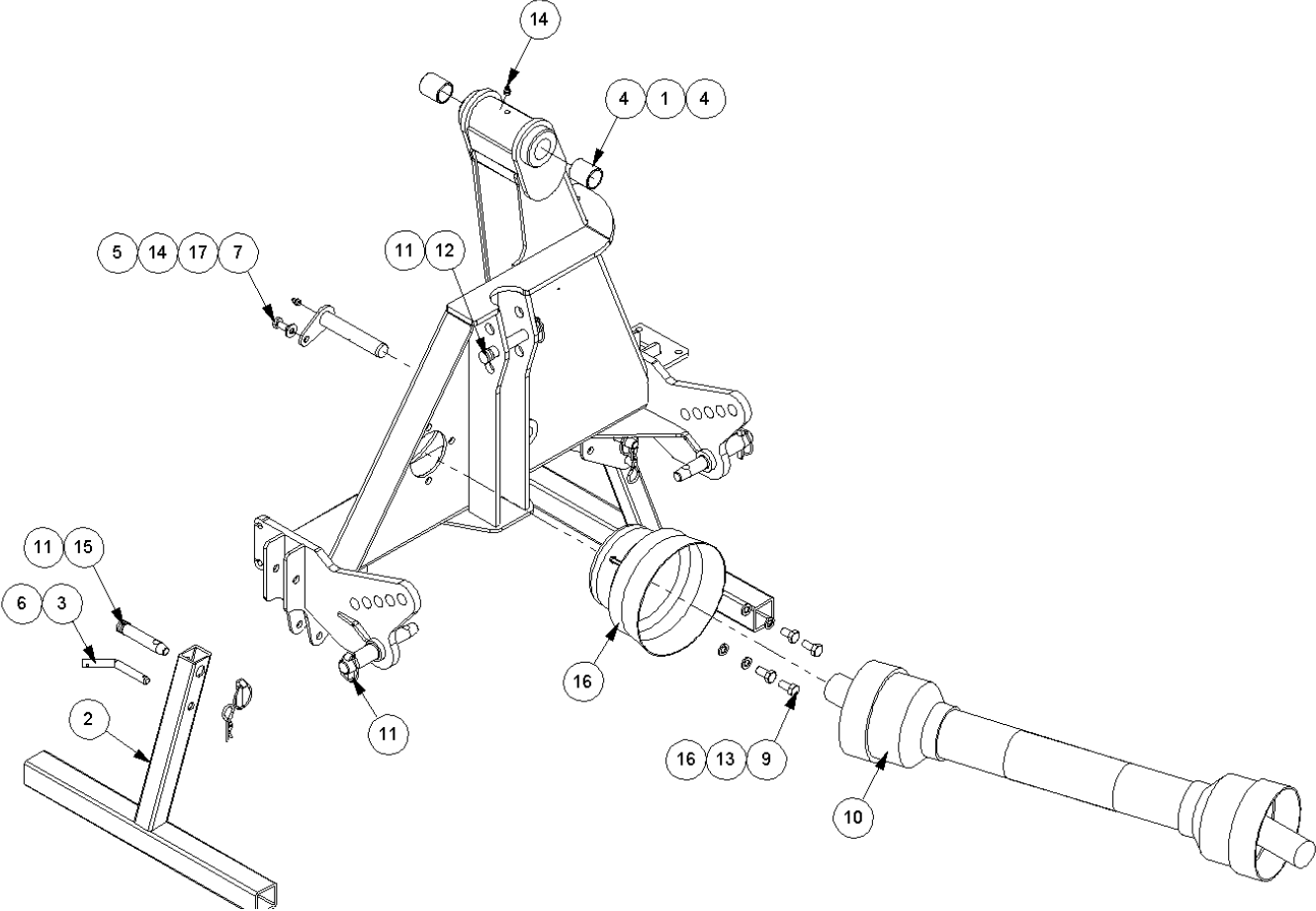
Ref	Part No	Description	Qty
1	42491.01	PLATE	1
2	9100104	WASHER	2
3	9100204	WASHER	2
4	9193004	NUT	2
5	9313054	SCREW	2



7313324 - GUARD KIT

Ref	Part No	Description	Qty
1	7313049	GUARD PANEL	1
2	7313050	GUARD PANEL	1
3	6001064	SPRING	12
4	6001065	HOOK	6
5	41587.01	GUARD HOOK	6
6	41745.01	HOOK	8
7	22342.01	CABLE TIE	1
8	7196045	HOSE TIE	2

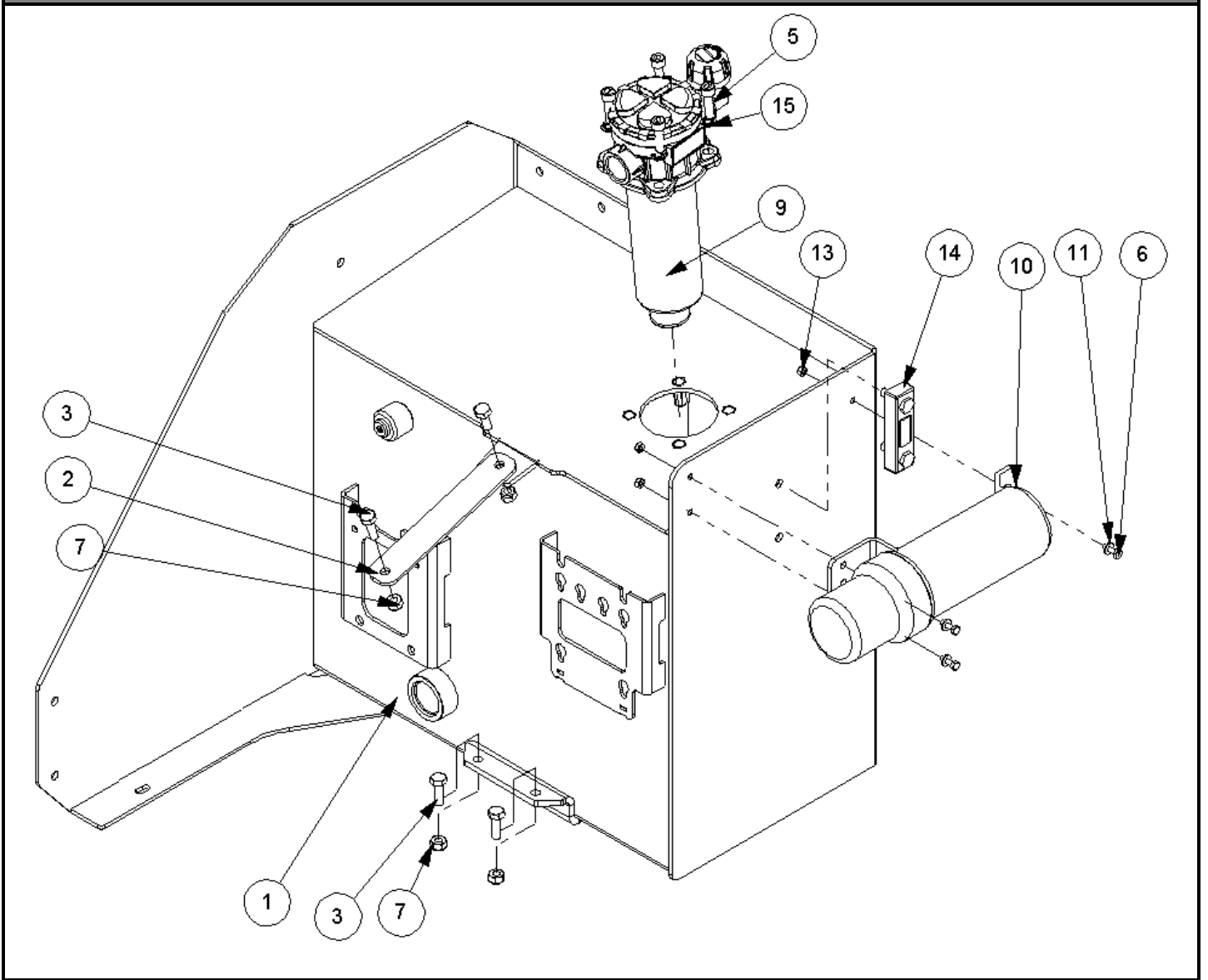
7434501 E - MAIN FRAME MODULE



7434501 E - MAIN FRAME MODULE

Ref	Part No	Description	Qty
1	22852.01	MAIN FRAME	1
2	41203.05	LEG	2
3	1090051	PIN	2
4	21149.01	BUSH	2
5	41267.15	W/A 1in PIN-GREASER	1
6	0431105	PIN	2
7	9313045	SCREW	1
8	9313046	SCREW	1
9	9313056	SCREW	3
10	7114289	PTO SHAFT	1
11	0431217	PIN	5
12	6310202	PIN	1
14	9100206	WASHER	4
15	0901121	GREASER	2
15	T8117	PIN	2
16	42694.04	GUARD	1
17	9100205	WASHER	1

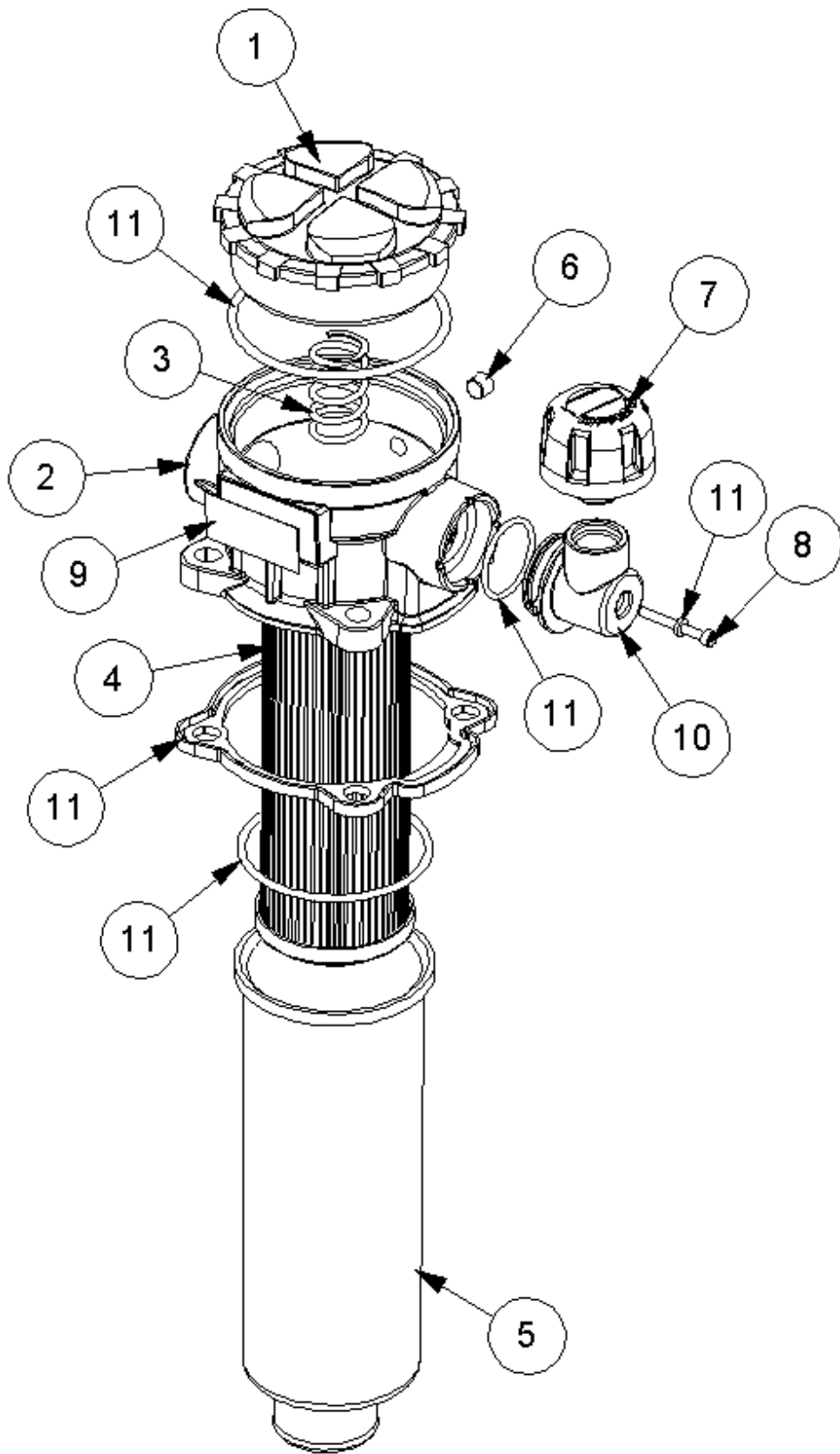
7434503 D - TANK MOUDLE RH



7434503 D - TANK MOUDLE RH

Ref	Part No	Description	Qty
1	41196.13	W/ASSY RH TANK ASSY	1
2	41196.55	TANK STRAP	1
3	9313065	SCREW	3
4	9313055	SCREW	1
5	9343075	SCREW	4
6	9313043	SCREW	3
7	9163005	NUT	4
9	8401168	FILTER	1
10	46505.01	HOLDER	1
11	9100103	WASHER	3
13	9113003	NUT	3
14	08.921.01	FLUID LEVEL GAUGE	1
15	8650310	SEAL	4

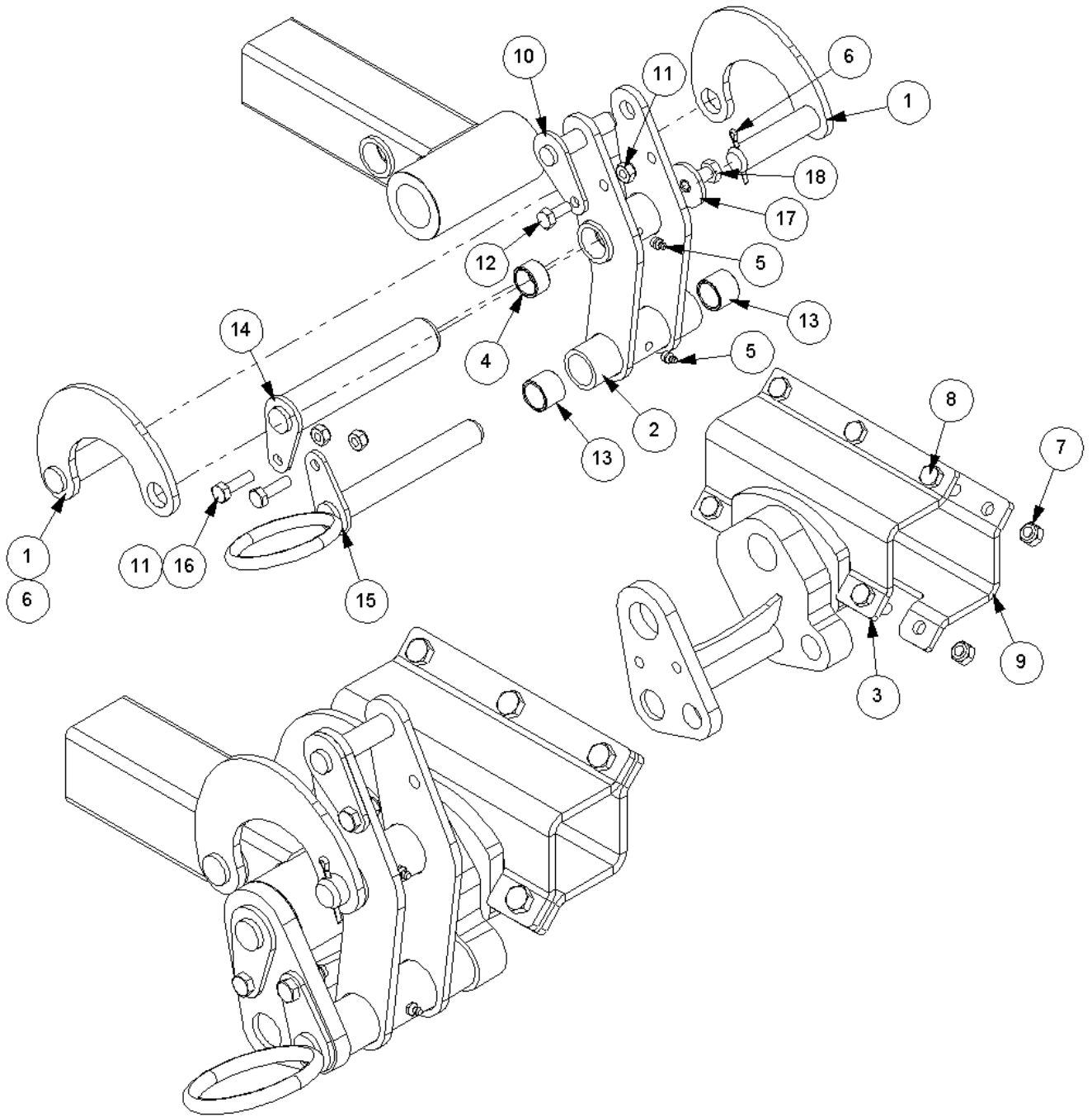
8401168 B - FILTER



8401168 B - FILTER

Ref	Part No	Description	Qty
1	212.013.04	FILLER CAP	1
2	8401187	HOUSING	1
3	8401158	FILTER SPRING	1
4	8401164	USE 8401095	1
5	8401165	FILTER BOWL	1
6	8401166	FILTER GRUB SCREW	1
7	8401182	BREATHER CAP+FILTER	1
8	8401184	CAP SCREW	1
9	8401167	IDENTIFICATION PLATE	1
10	8401183	ELBOW	1
11	8699294	FILTER SEAL KIT	0

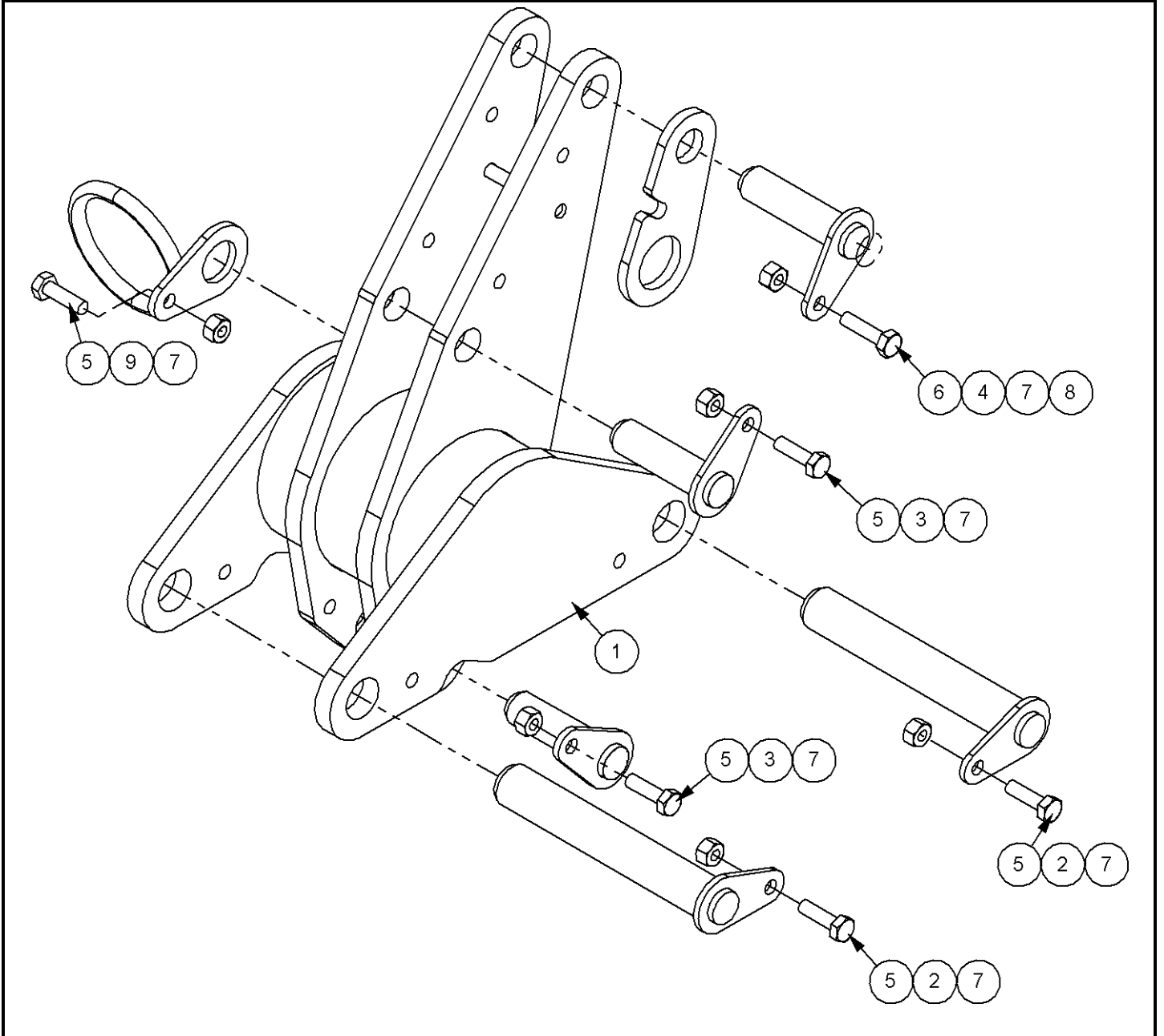
7434511 C - ANGLING GEAR



7434511 C - ANGLING GEAR

Ref	Part No	Description	Qty
1	41206.02	RADIUS ARM TYPE 2	2
2	41207.03	SLAVE LINK W/ASSY	1
3	41261.15	BRACKET -RH	1
4	7214060	BUSH	2
5	0901121	GREASER	2
6	9501406	PIN	2
7	9163006	NUT	5
8	9313086	SCREW	5
9	21873.01	PLATE	1
10	41270.01	PIN	1
11	9163005	NUT	3
12	9313055	SCREW	1
13	41690.01	BUSH	2
14	21971.02	PIN	1
15	21970.02	PIN W/ASSY	1
16	9313075	SCREW	2
17	05.234.01	WASHER	1
18	9300149	SCREW	1

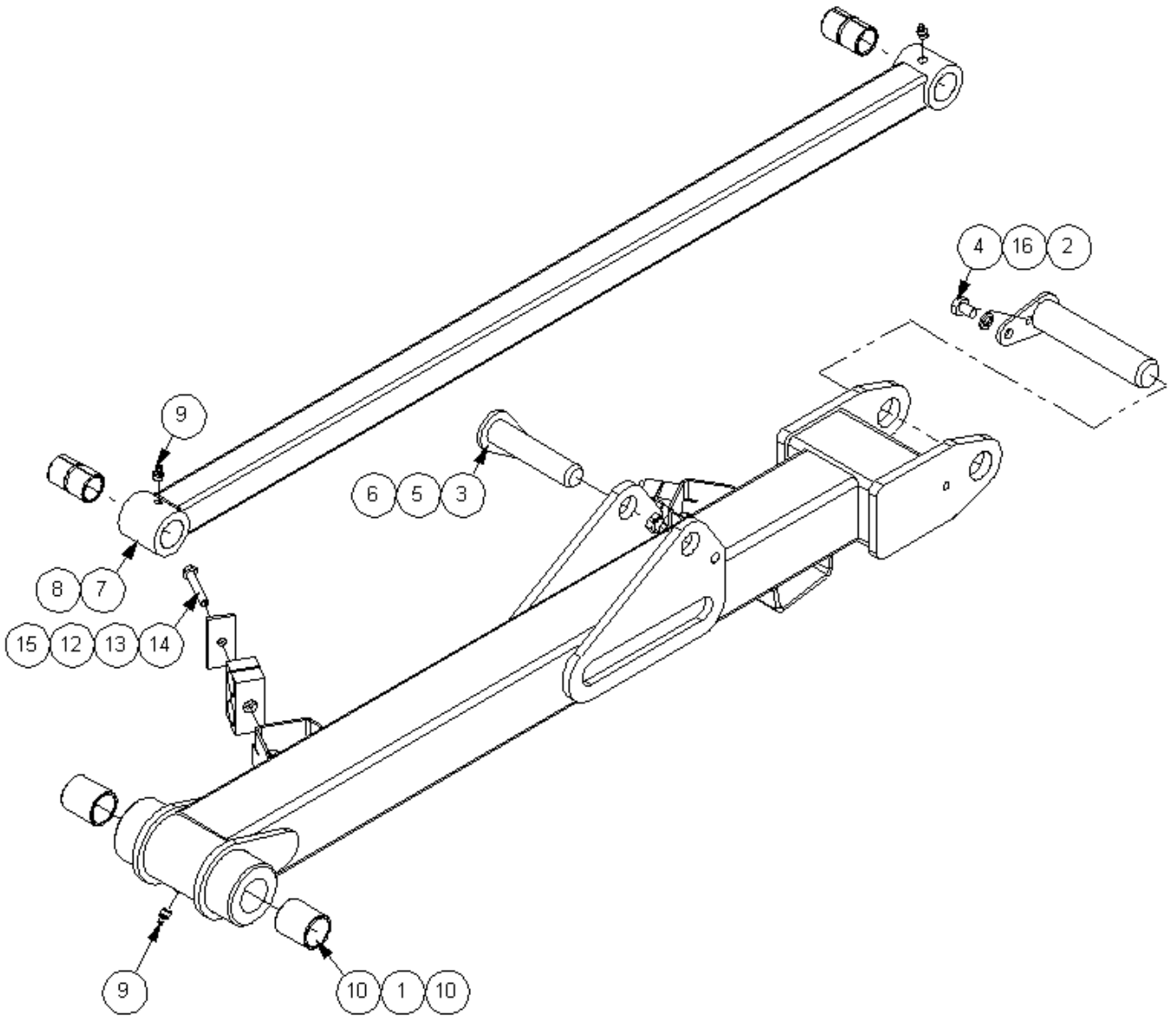
7434514 - ROCKER MODULE



7434514 - ROCKER MODULE

Ref	Part No	Description	Qty
1	41198.08	ROCKER	1
2	41268.02	PIN	2
3	41267.09	PIN	2
4	41267.03	PIN	1
5	9313075	SCREW	5
6	9313085	SCREW	1
7	9163005	NUT	6
8	22667.02	SLINGING EYE	1
9	43158.02	LOOP	1

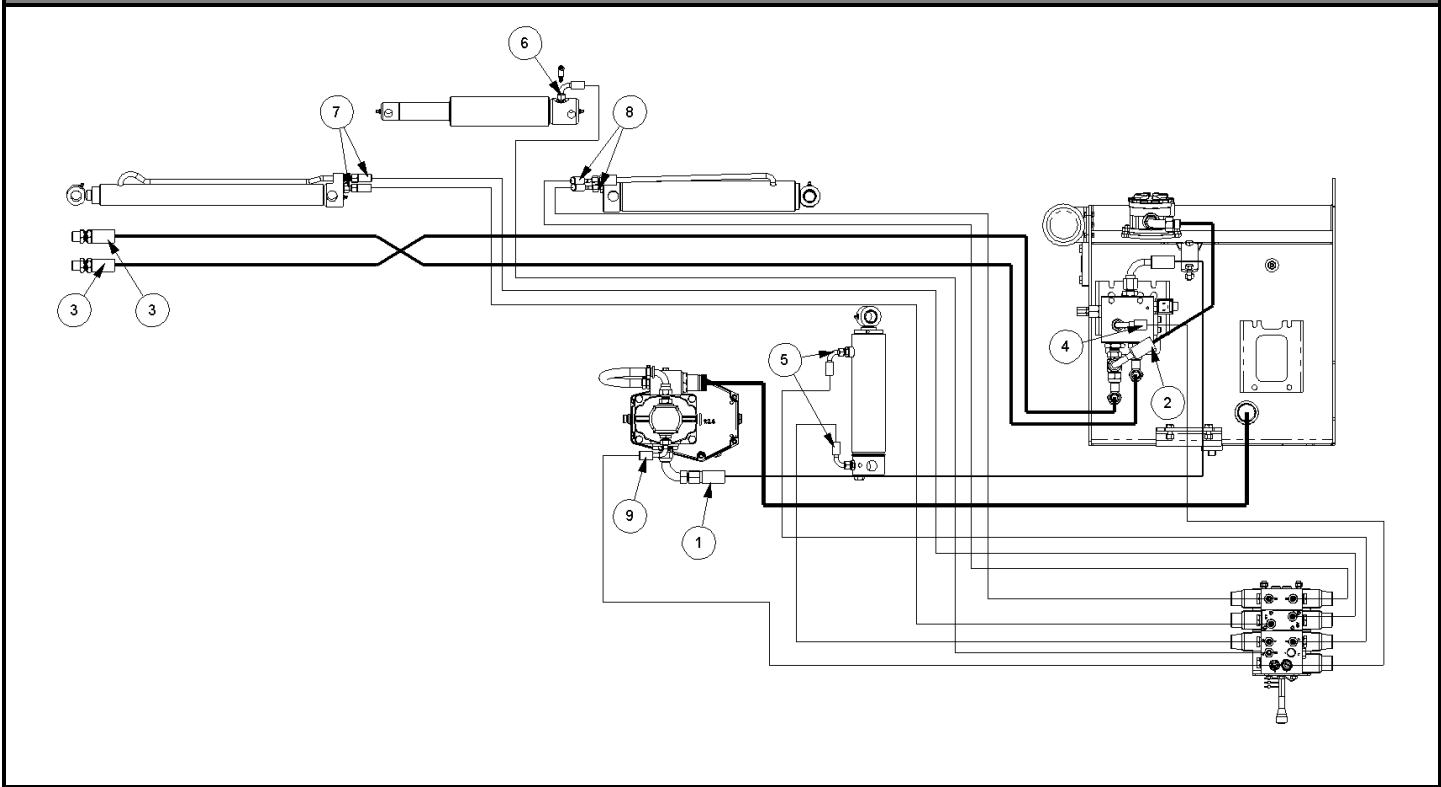
7434517 C - MAIN ARM MODULE



7434517 C - MAIN ARM MODULE

Ref	Part No	Description	Qty
1	41199.09	MAIN ARM	1
2	41268.01	PIN	1
3	41267.04	PIN	1
4	9313035	SCREW	1
5	9313065	SCREW	1
6	9163005	NUT	1
7	22887.01	TENSION LINK	1
8	7105050	BUSH	2
9	0901121	GREASER	3
10	21149.01	BUSH	2
12	06.430.09	CLAMP (2 PCS)	2
13	06.418.03	PLATE	2
14	9213114	BOLT	2
15	9163004	NUT	2
16	9100205	WASHER	1

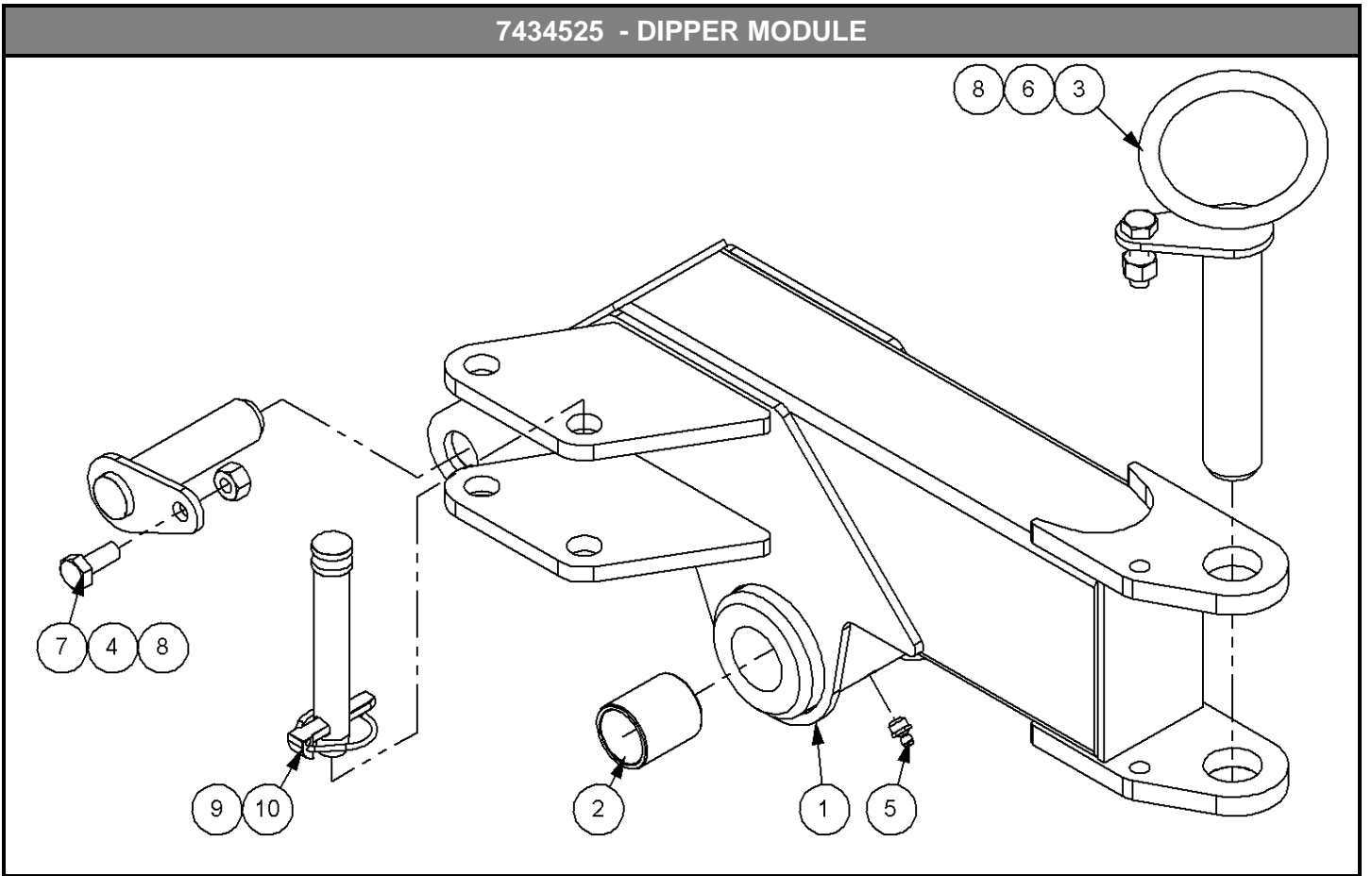
743452204 C - HOSE KIT



743452204 C - HOSE KIT

Ref	Part No	Description	Qty
1	10.008.22	HOSE	1
2	10.008.16	HOSE	1
3	10.081.42	HOSE	2
4	10.006.12	HOSE	1
5	10.002.19	HOSE	2
6	10.002.39	HOSE	1
7	10.001.39	HOSE	2
8	10.017.31	HOSE	2
9	10.004.14	HOSE	1

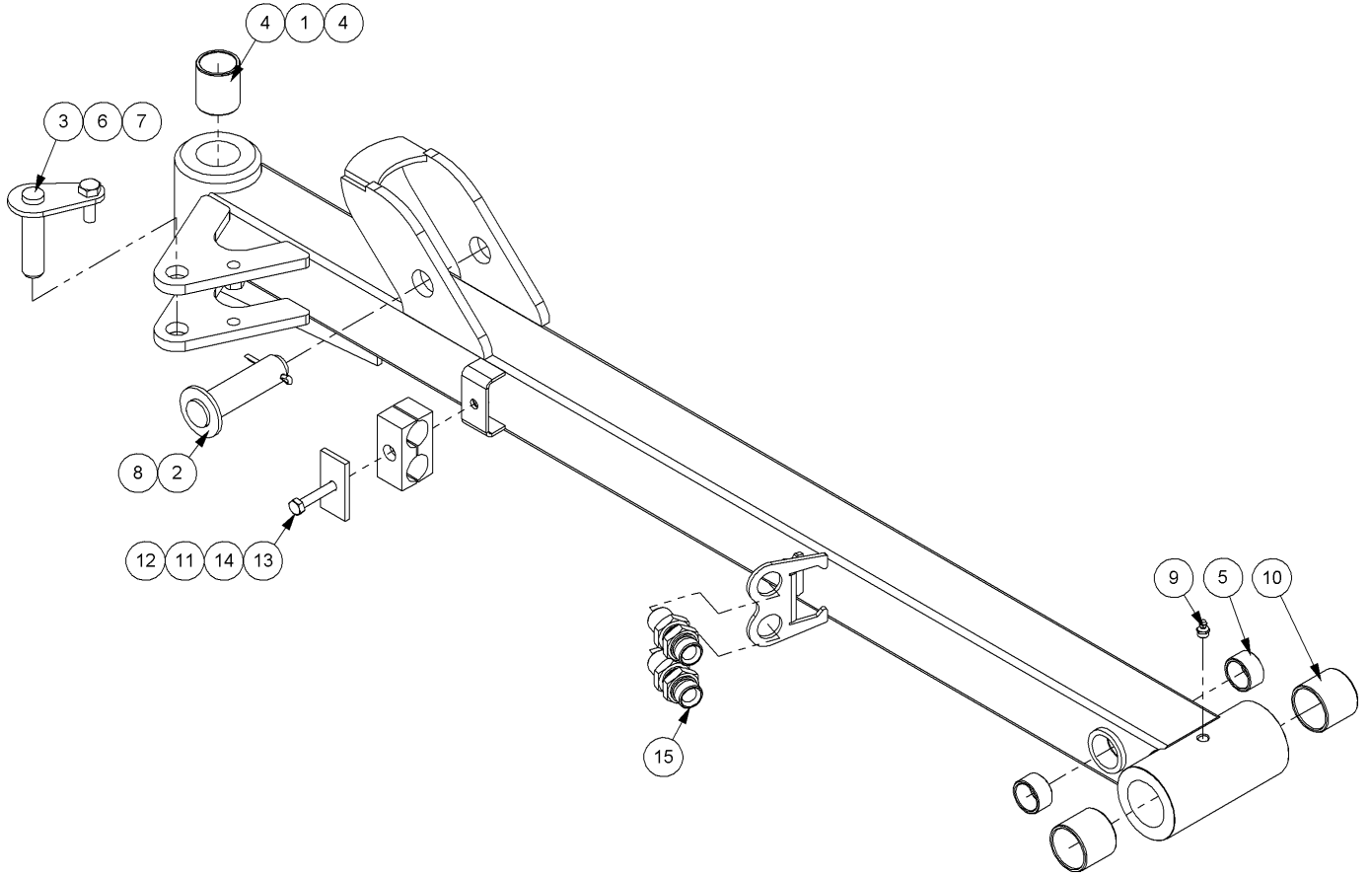
7434525 - DIPPER MODULE



7434525 - DIPPER MODULE

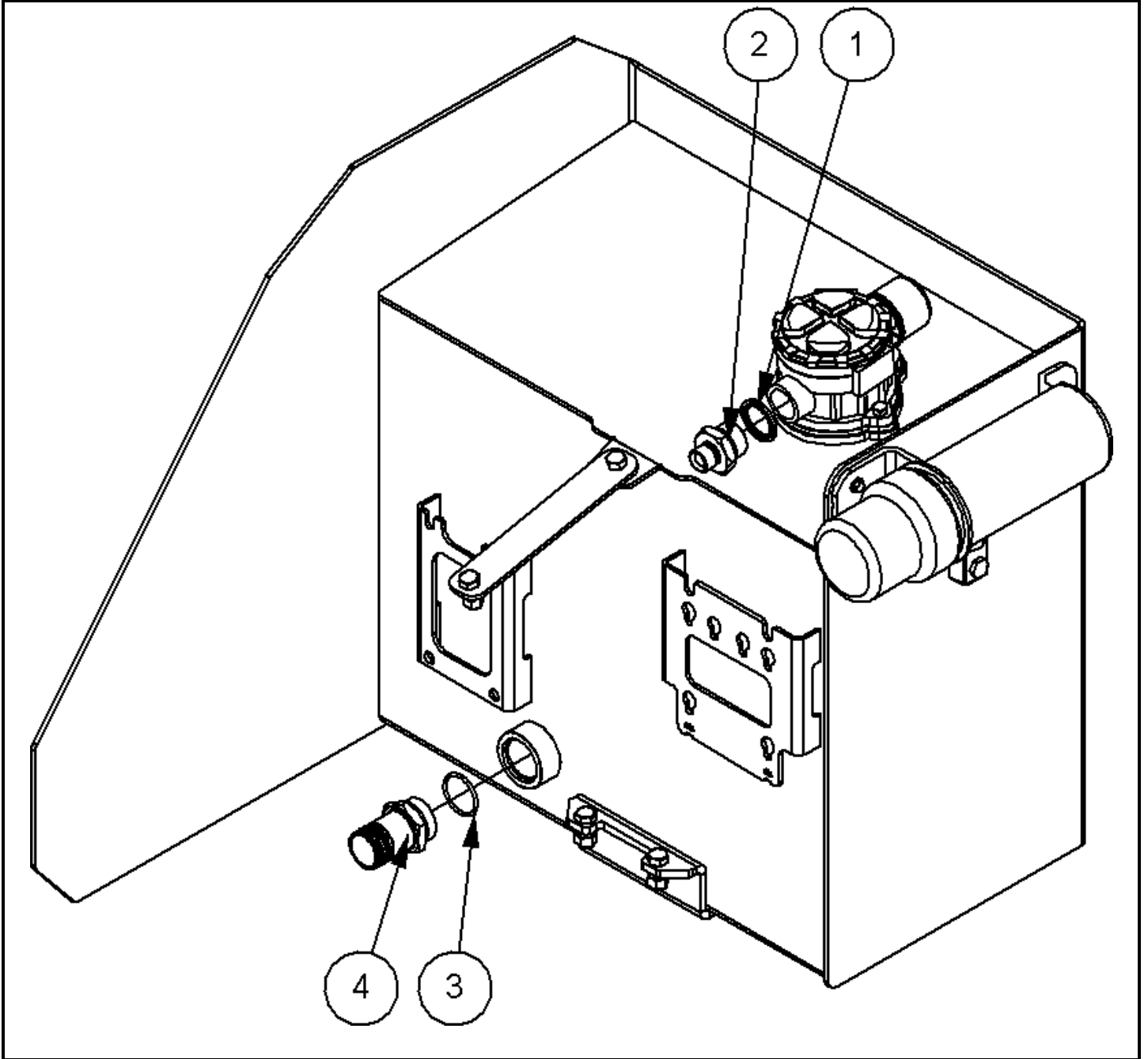
Ref	Part No	Description	Qty
1	41201.08	W/ASSY DIPPER UPPER	1
2	21149.01	BUSH	2
3	41269.01	PIN	1
4	41267.03	PIN	1
5	0901121	GREASER	1
6	9313075	SCREW	1
7	9313055	SCREW	1
8	9163005	NUT	2
9	6310202	PIN	1
10	0431217	PIN	1

7434533 - MODULE DIPPER RH



7434533 - MODULE DIPPER RH

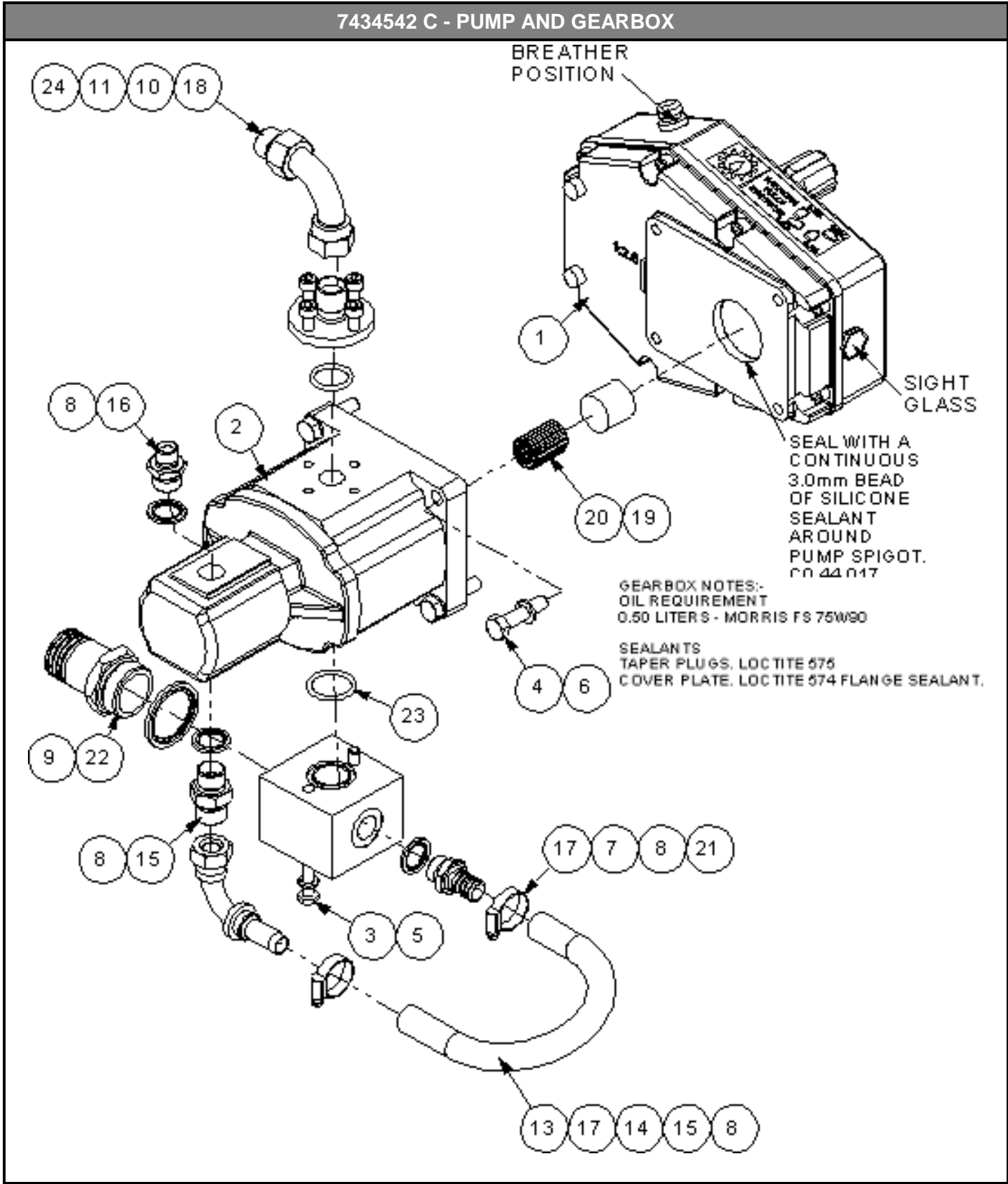
Ref	Part No	Description	Qty
1	41202.06	USE 41202.06Y OR.06B	1
2	7191041	PIN	1
3	41270.01	PIN	1
4	21149.01	BUSH	2
5	7214060	BUSH	2
6	9313065	SCREW	1
7	9163005	NUT	1
8	9501406	PIN	1
9	0901121	GREASER	3
10	7213023	BUSH	2
11	06.430.09	CLAMP (2 PCS)	1
12	9163004	NUT	1
13	9213114	BOLT	1
14	06.418.03	PLATE	1



7434540 - TANK FITTINGS

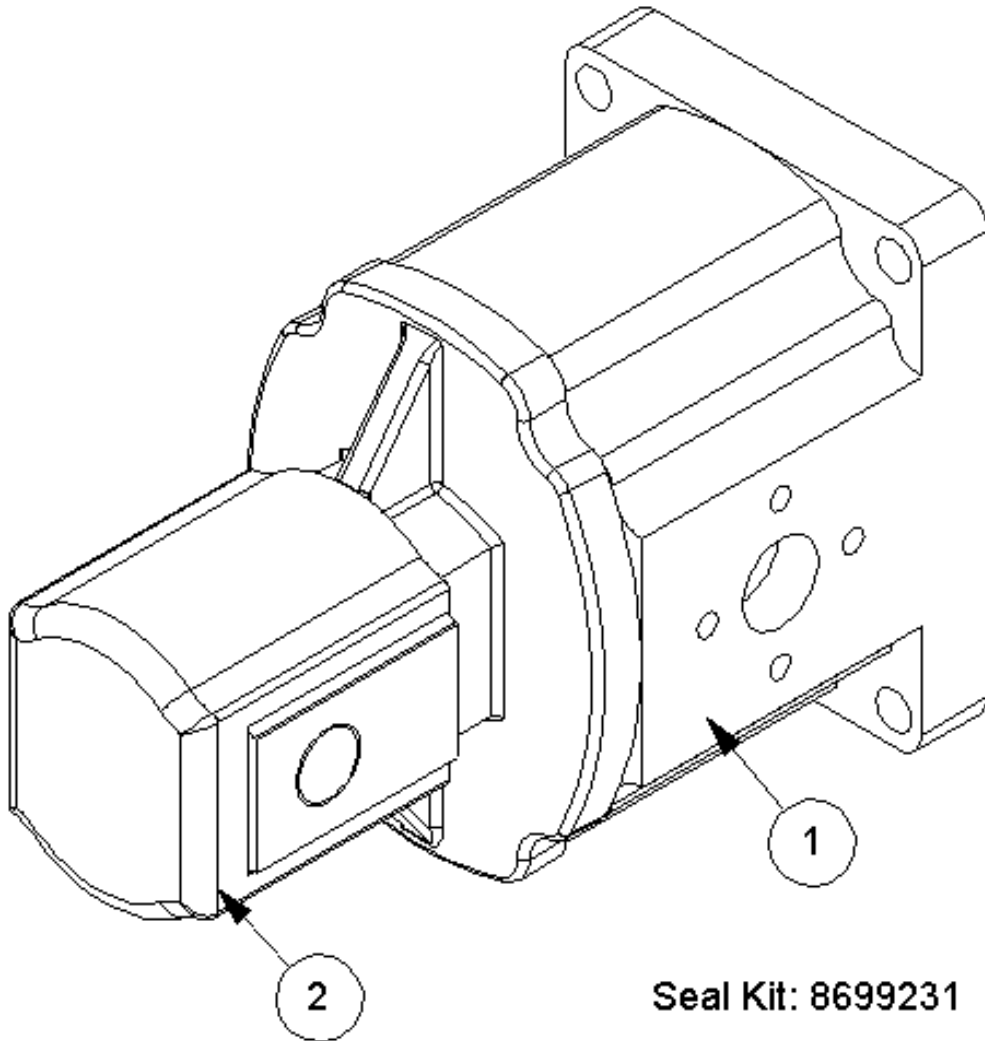
Ref	Part No	Description	Qty
1	8650108	SEAL	1
2	8581378	ADAPTOR	1
3	8700784	"O" RING	1
4	8581260	ADAPTOR	1

7434542 C - PUMP AND GEARBOX



7434542 C - PUMP AND GEARBOX

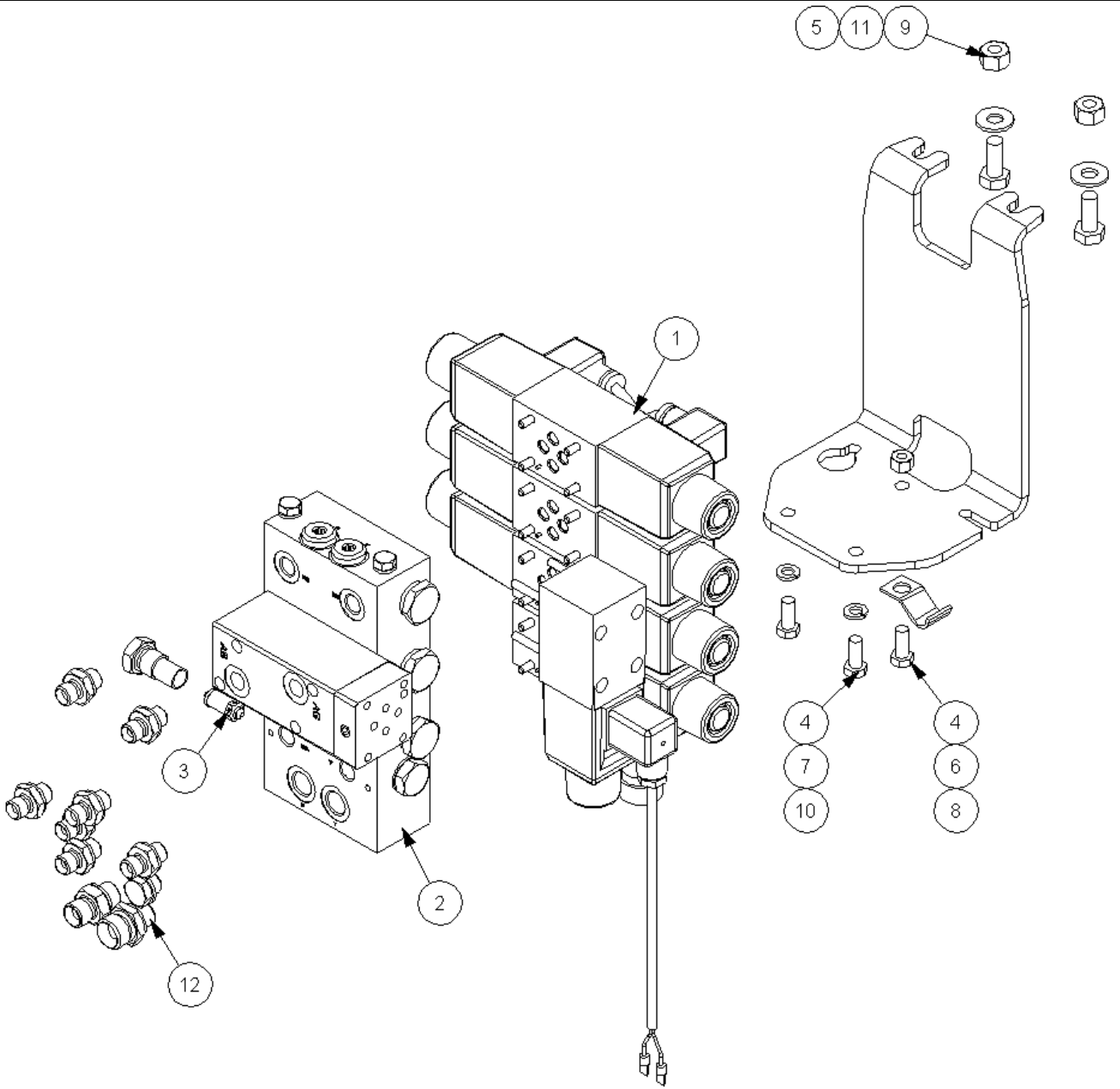
Ref	Part No	Description	Qty
1	8013624	GEARBOX 1:2.6	1
1	8501010	5/8" RUBBER HOSE 250LG	1
2	8201466	PUMP	1
3	9213144	BOLT	2
4	9213095	BOLT	4
5	9100204	WASHER	2
6	9100205	WASHER	4
7	8002059	CONNECTION	1
8	8650104	SEAL	3
9	8650109	SEAL	1
10	8013083	CONNECTION	1
11	9300147	SCREW	4
12	1290030	DECAL	1
14	8581173	ELBOW	1
15	G3812120	ADAPTOR	1
16	6000112	ADAPTOR	1
17	0904204	CLIP	2
18	8581565	ADAPTOR	1
19	42415.02	SPACER	1
20	8013097	ADAPTOR	1
21	8581577	BLOCK	1
22	8581260	ADAPTOR	1
23	8600122	"O" RING	1
24	8600119	"O" RING	1



8201466 - PUMP

Ref	Part No	Description	Qty
1	8201684	HYD PUMP F-HALF	1
2	8201677	PUMP REAR - 8201466	1
3	8699231	SEAL KIT	0

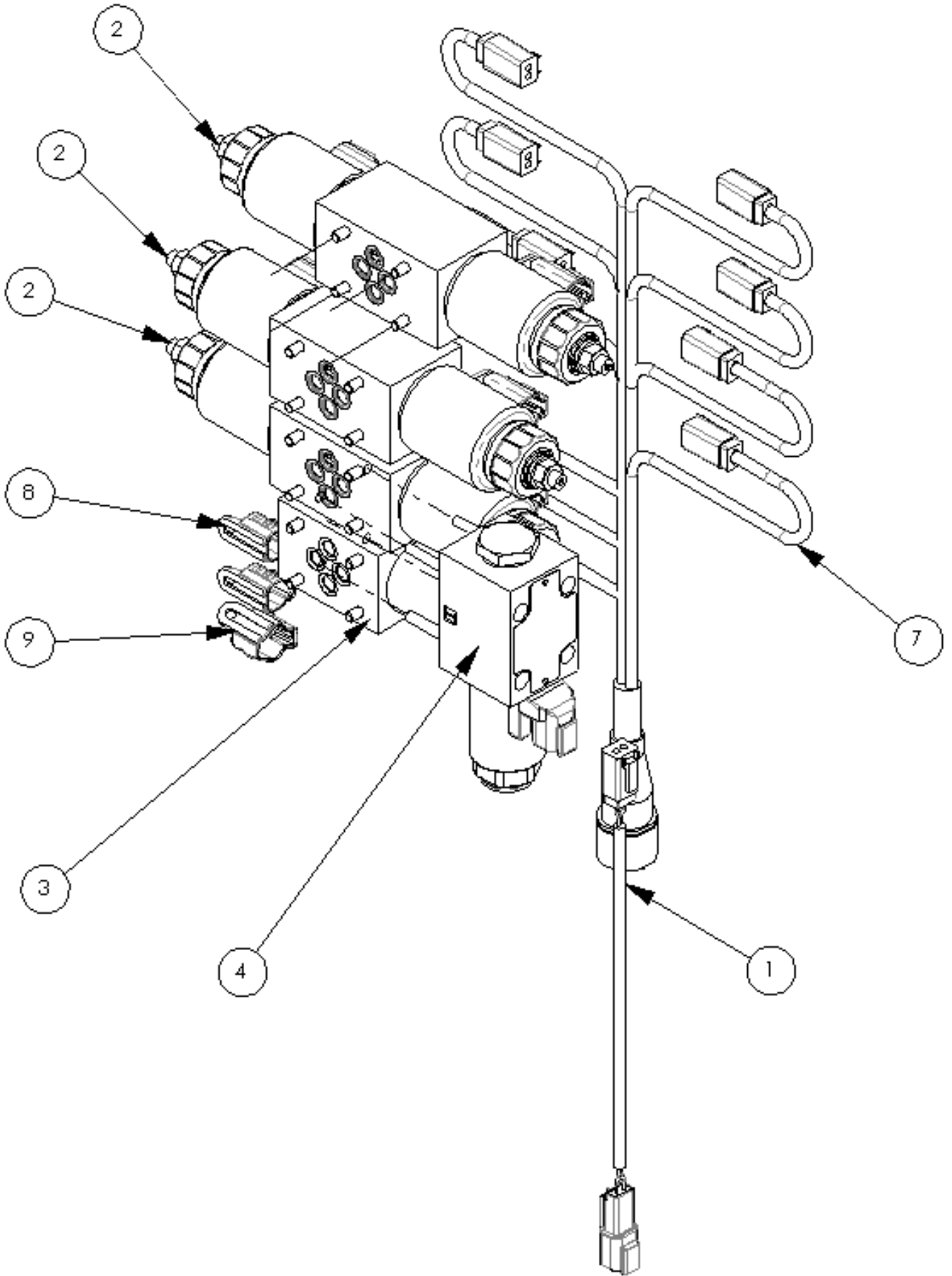
743457 B - ACV ASSY



7434557 B - ACV ASSY

Ref	Part No	Description	Qty
1	22525.57	SOLENOID	1
2	22523.20	MANIFOLD ASSY	1
3	8130029	VALVE	1
4	9313044	SCREW	5
5	9313055	SCREW	2
6	7109151	CLAMP	1
7	9100204	WASHER	4
8	9163004	NUT	1
9	9163005	NUT	2
10	41196.57	VALVE MTG PLATE	1
11	9100105	WASHER	2
12	22524.48	ADAPTOR KIT	1

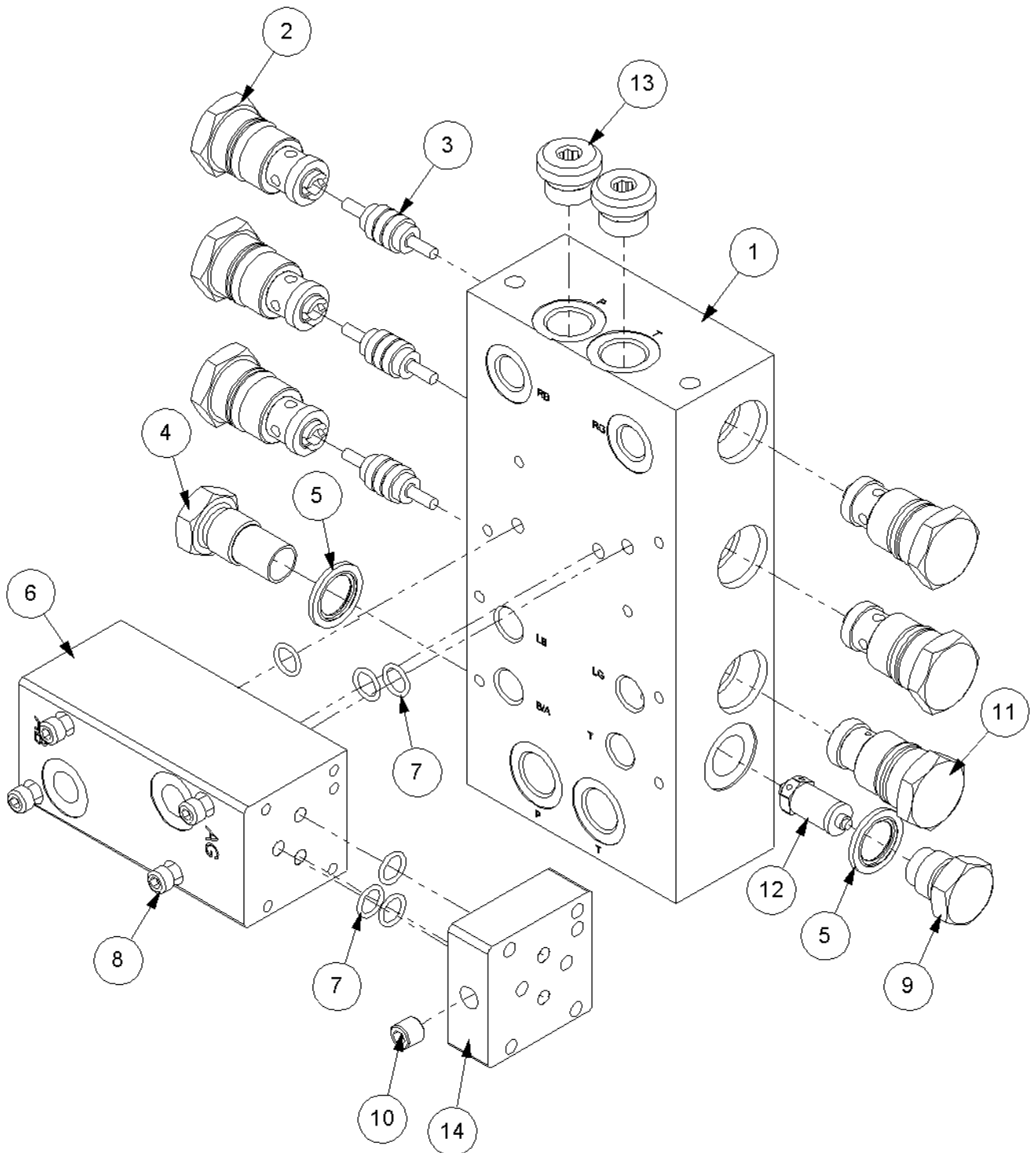
22525.57 D - SOLENOID



22525.57 D - SOLENOID

Ref	Part No	Description	Qty
1	41844.34	LOOM ANGLE FLOAT DT CONNECTOR	1
2	23550.11	PROP DCV	3
3	23550.13	VALVE	1
4	23550.15	DCV	1
7	41844.27	LOOM 14 CORE 19WAY PLUG DT	1
8	45594.41	SEALING CAP	1
9	45594.42	SEALING CAP	1
22	23550.18	TOOL - MANUAL SOL. OPERATION	1

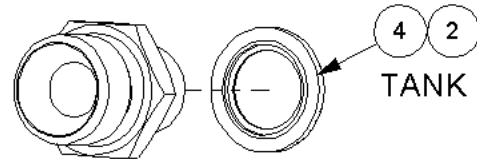
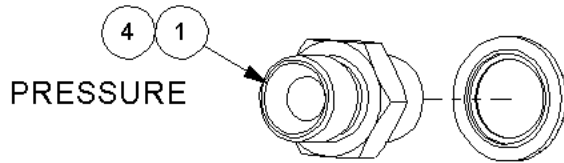
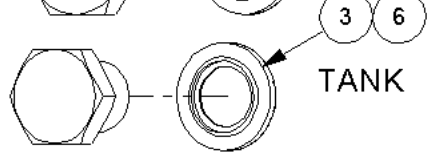
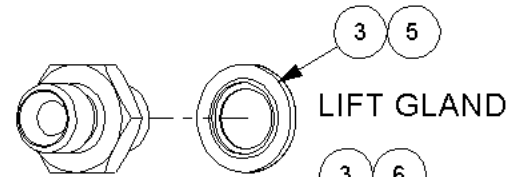
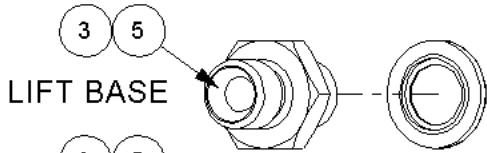
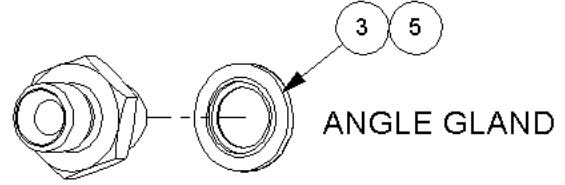
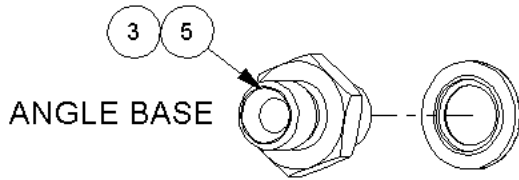
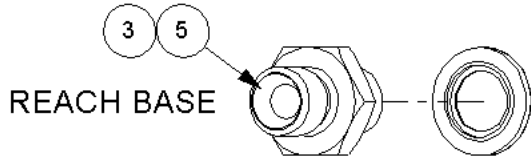
22523.20 - MANIFOLD ASSY



22523.20 - MANIFOLD ASSY

Ref	Part No	Description	Qty
1	8132309	MANIFOLD 3 BANK	1
2	8130090	VALVE	5
3	8130087	ACTUATOR	3
4	8130032	CAP	1
5	8650103	SEAL	2
6	8126333	BLOCK	1
7	8700511	"O" RING	6
8	9243082	SCREW	4
9	8130031	CAP	1
10	8582041	PLUG	2
11	8130354	VALVE	1
12	8130164	VALVE	1
13	8581436	ADAPTOR	2
14	8126334	PLATE	1

22524.48 B - ADAPTOR KIT



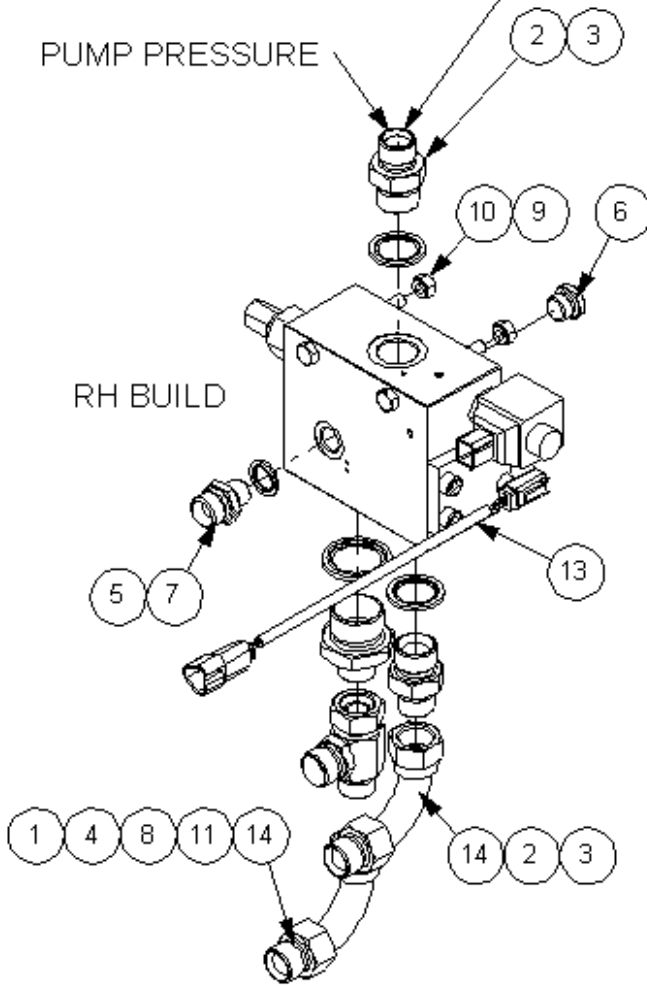
22524.48 B - ADAPTOR KIT

Ref	Part No	Description	Qty
1	6000113	ADAPTOR	1
2	6000112	ADAPTOR	1
3	8650102	SEAL	8
4	8650103	SEAL	2
5	8581169	ADAPTOR	7
6	520378	ADAPTOR	1

FIT SWEPT 90° END OF HOSE
TO THIS ADAPTER

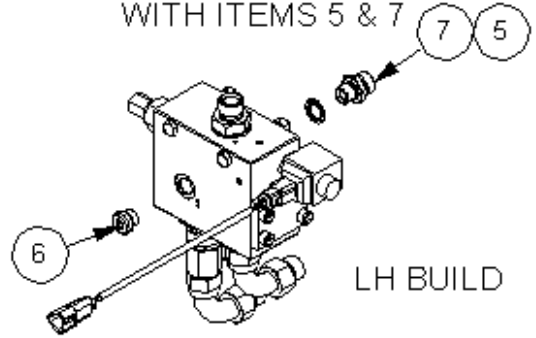
PUMP PRESSURE

RH BUILD



ASSEMBLE RH BUILD SHOWN

IF REQUIRED;
FOR LH BUILDS SWAP
POSITION OF ITEMS 6
WITH ITEMS 5 & 7

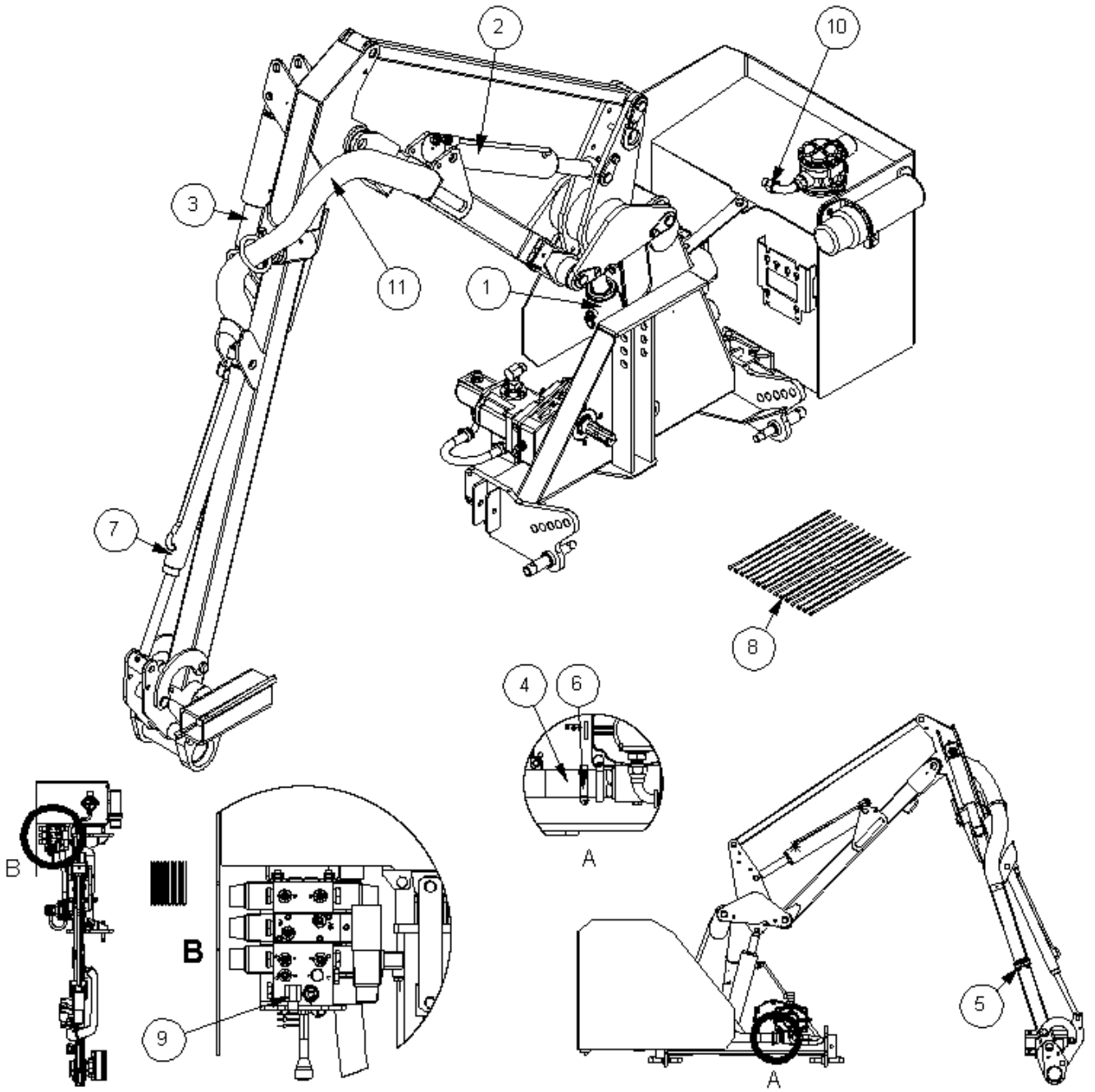


LH BUILD

RH BUILD;
SAME BOM AS 7434578
WHICH IS LH BUILD

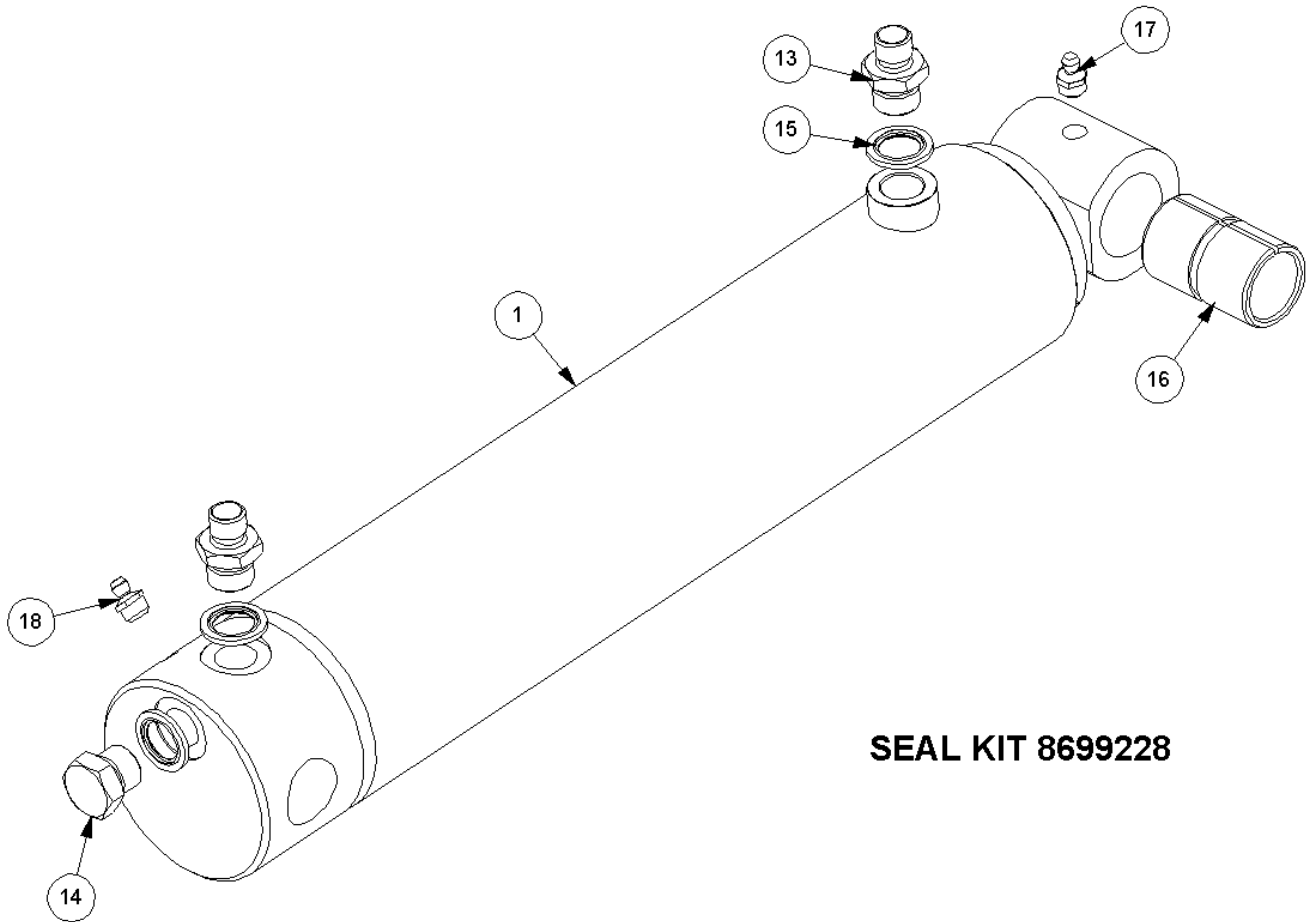
7434568 F - RCV ON/OFF

Ref	Part No	Description	Qty
1	23741.01	RELIEF VALVE / DIVERTER	1
2	8581270	ADAPTOR	2
3	8650106	SEAL	2
4	8650108	SEAL	1
5	8650103	SEAL	1
6	8581436	ADAPTOR	1
7	6000112	ADAPTOR	1
8	8581378	ADAPTOR	1
9	9213164	BOLT	2
10	9163004	NUT	2
11	8581460	ADAPTOR	1
13	41844.57	RCV LOOM ON/OFF DT	1
14	8581565	ADAPTOR	2



7434572 E - HYD INST

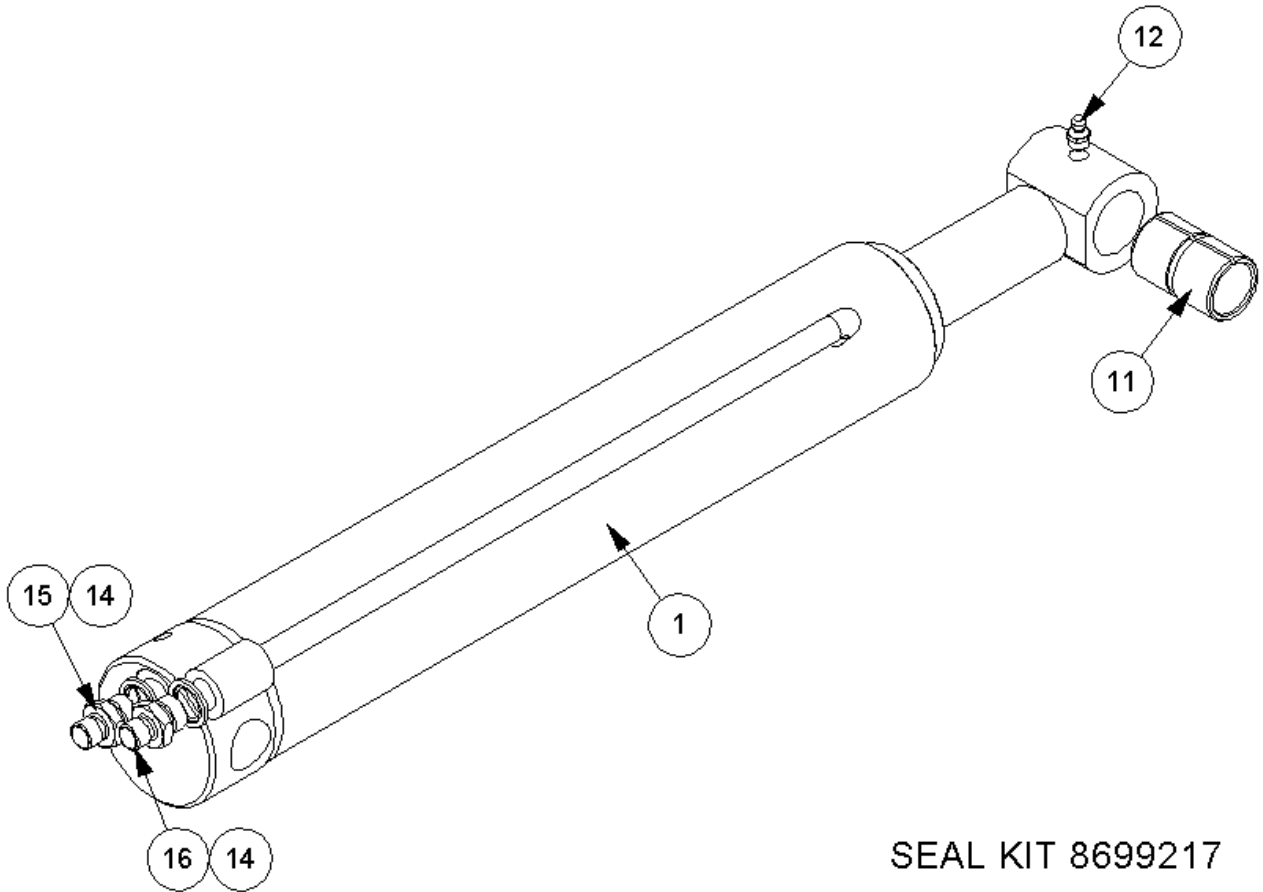
Ref	Part No	Description	Qty
1	41014.12	RAM	1
2	41015.03	RAM ASSY	1
3	41322.02	RAM	1
4	8501468	HOSE	1
5	G3812119	ADAPTOR	2
6	0904107	CLIP	4
7	7191072	RAM	1
8	7196045	HOSE TIE	15
9	05.835.01	ADAPTOR	1
10	8581565	ADAPTOR	1
11	22591.21	HOSE SLEEVING	1



41014.12 C - RAM

Ref	Part No	Description	Qty
1	41014.12AP	LIFT/REACH RAM	1
1	41014.12P	RAM -PAINTED	0
1	8699228	SEAL KIT	0
13	8130048	RESTRICTOR	2
14	8003001	PLUG	1
15	8650103	SEAL	3
16	7105050	BUSH	1
17	0901121	GREASER	1
18	0901124	GREASER	1

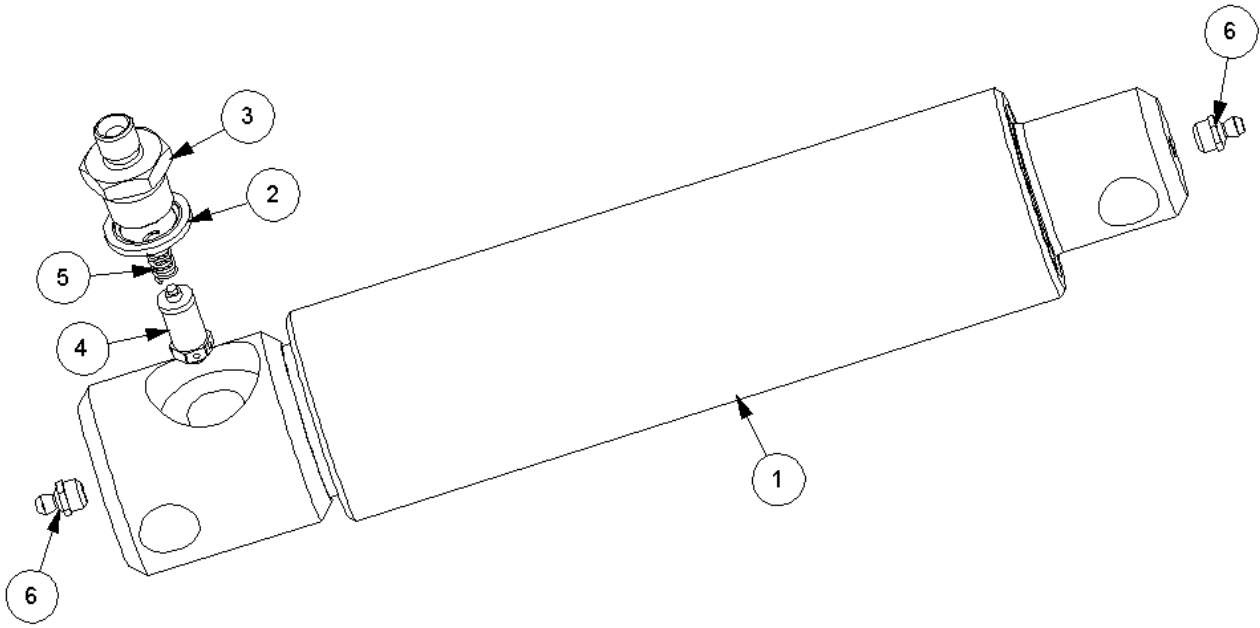
41015.03 B - RAM ASSY



SEAL KIT 8699217

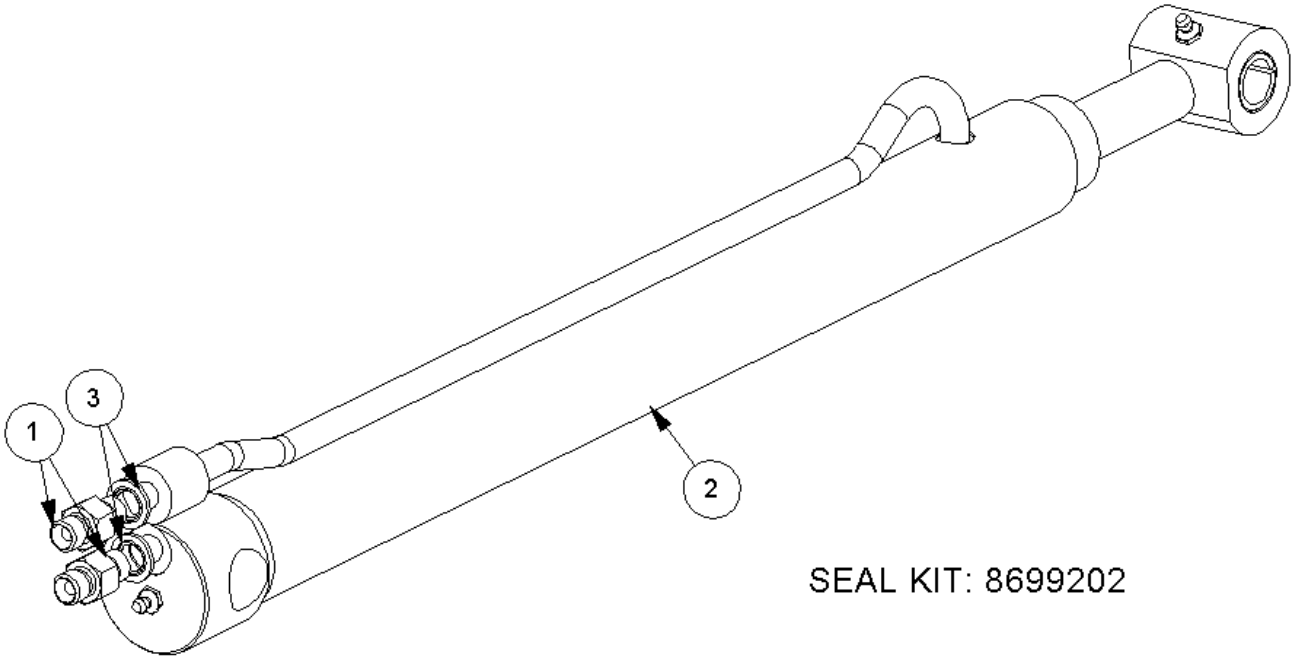
41015.03 B - RAM ASSY

Ref	Part No	Description	Qty
1	41015.03AP	RAM ASSY	1
1	41015.03P	RAM -PAINTED	0
7	8699217	SEAL KIT	0
11	7105050	BUSH	1
12	0901121	GREASER	1
14	8650103	SEAL	2
15	8130046	RESTRICTOR	1
16	8130066	RESTRICTOR	1



41322.02 - RAM

Ref	Part No	Description	Qty
1	7198292AP	RAM	1
1	7198292P	RAM -PAINTED	0
2	8650104	SEAL	1
3	8130083	BODY	1
4	8130189	VALVE	1
5	8116011	SPRING	1
6	0901121	GREASER	2

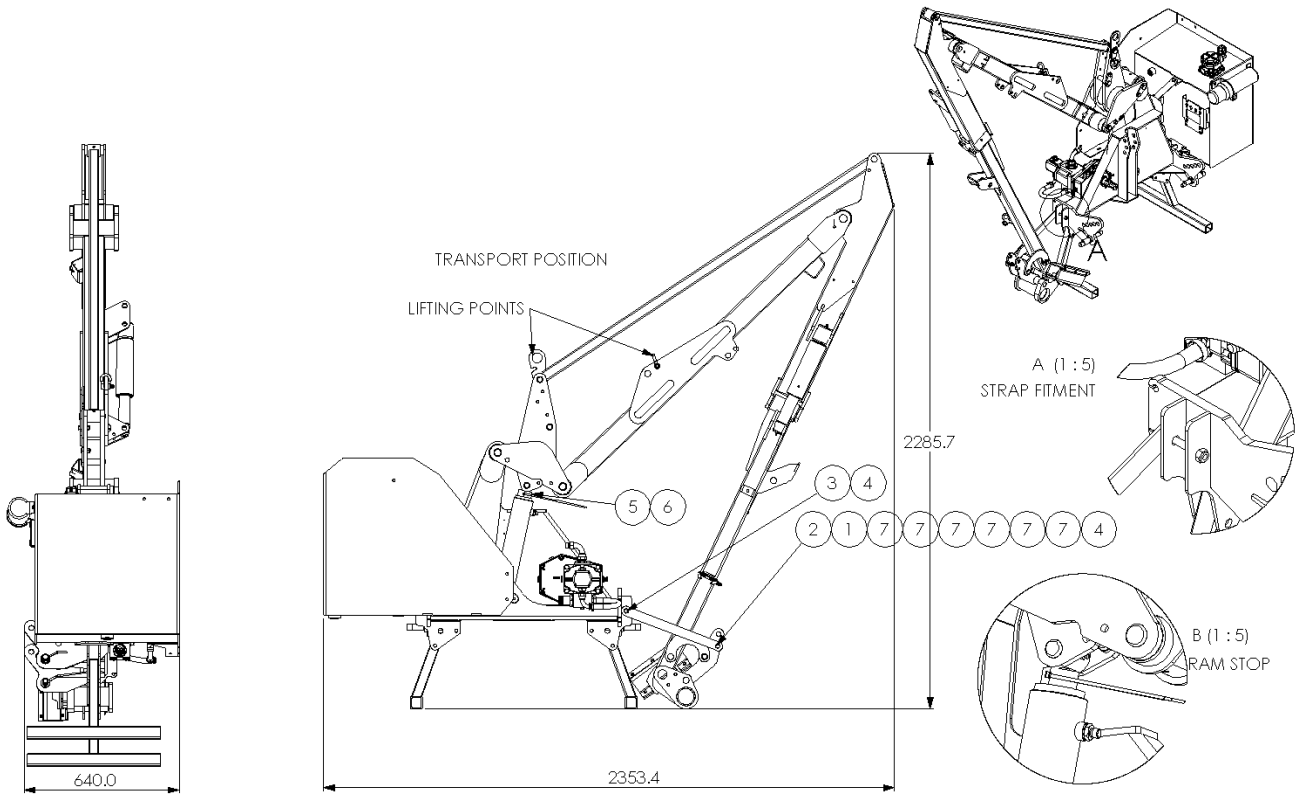


SEAL KIT: 8699202

7191072 B - RAM

Ref	Part No	Description	Qty
1	8130037	RESTRICTOR	2
2	7191295	RAM	1
3	8650102	SEAL	2
4	8699202	SEAL KIT	0

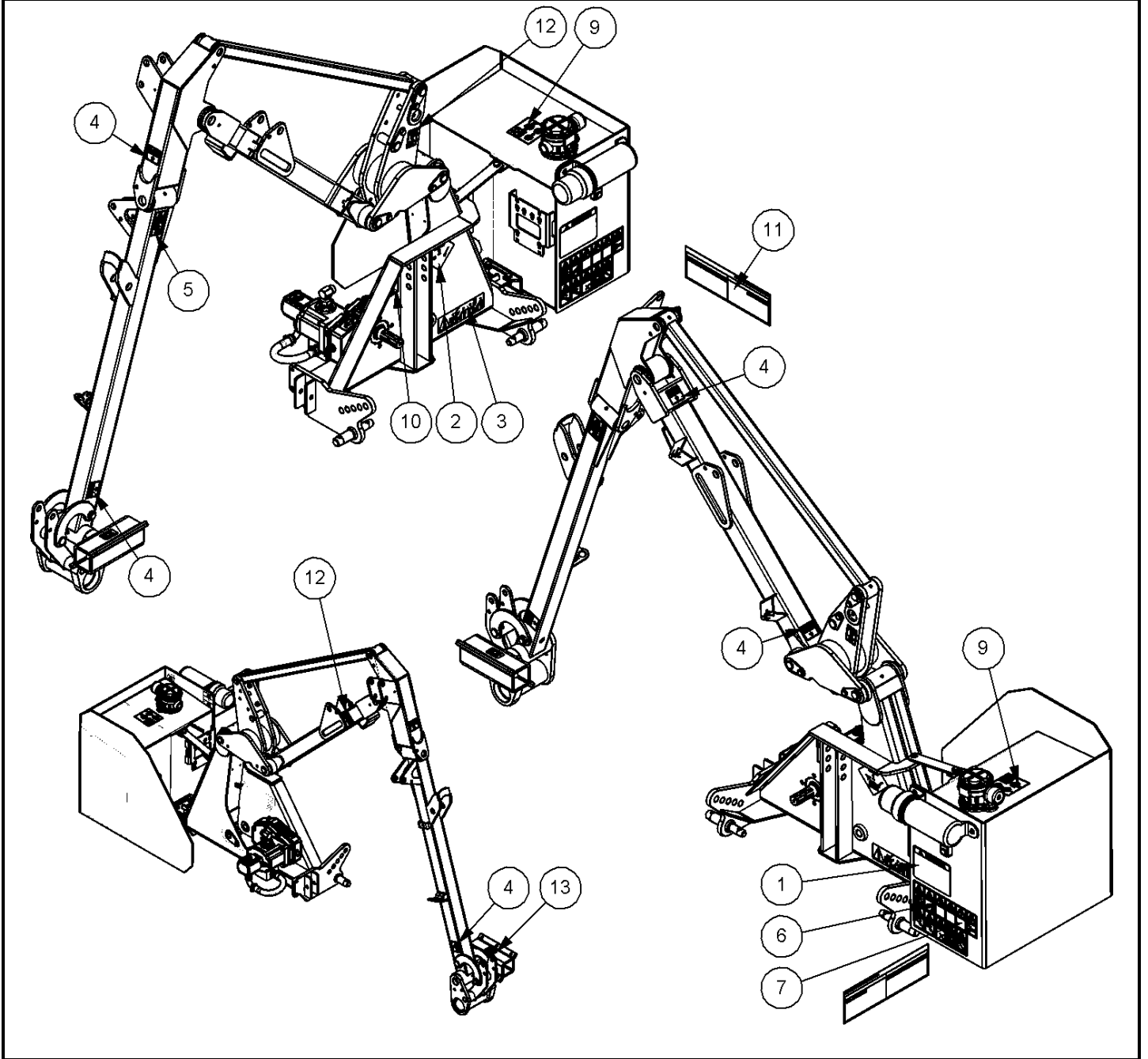
7434576 E - PACKING KIT



7434576 E - PACKING KIT

Ref	Part No	Description	Qty
1	22852.53	PACKING STRAP	1
2	9313095	SETSCREW	1
3	9213145	BOLT	1
4	9163005	NUT	2
5	22852.59	ANGLE	1
6	7196045	HOSE TIE	1
7	9100105	WASHER	6

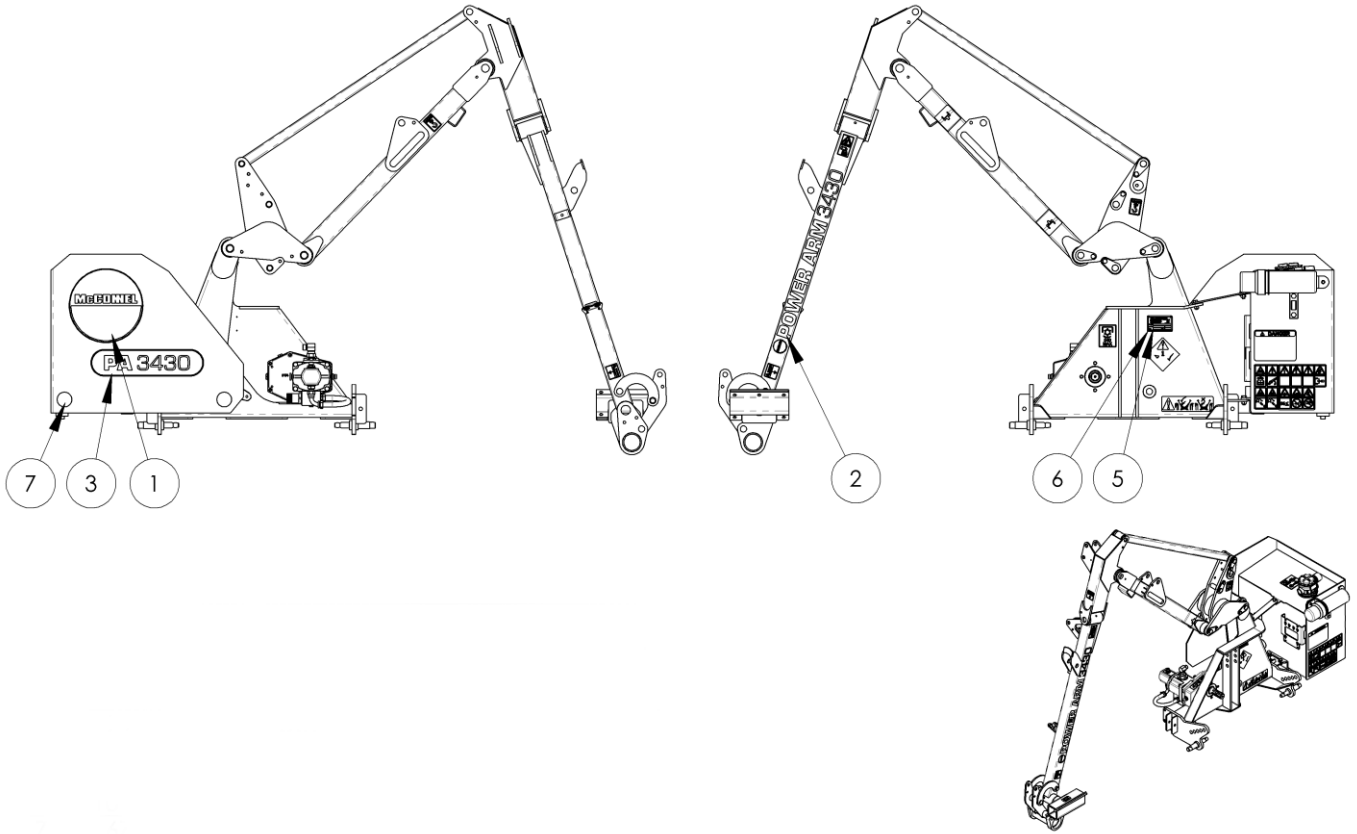
7434580 - BASIC STICKER KIT



7434580 - BASIC STICKER KIT

Ref	Part No	Description	Qty
1	00756494	DECAL	1
2	7105130	DECAL	1
3	7135295	DECAL	1
4	02962764	DECAL	6
5	1290746	DECAL	1
6	09.821.35	DECAL	1
7	09.821.28	DECAL	1
8	09.821.32	DECAL	1
9	1290774	DECAL	1
10	09.811.01	DECAL	1
11	1290352	DECAL	1
12	09.843.05	DECAL	2
13	21917.06	DECAL	1

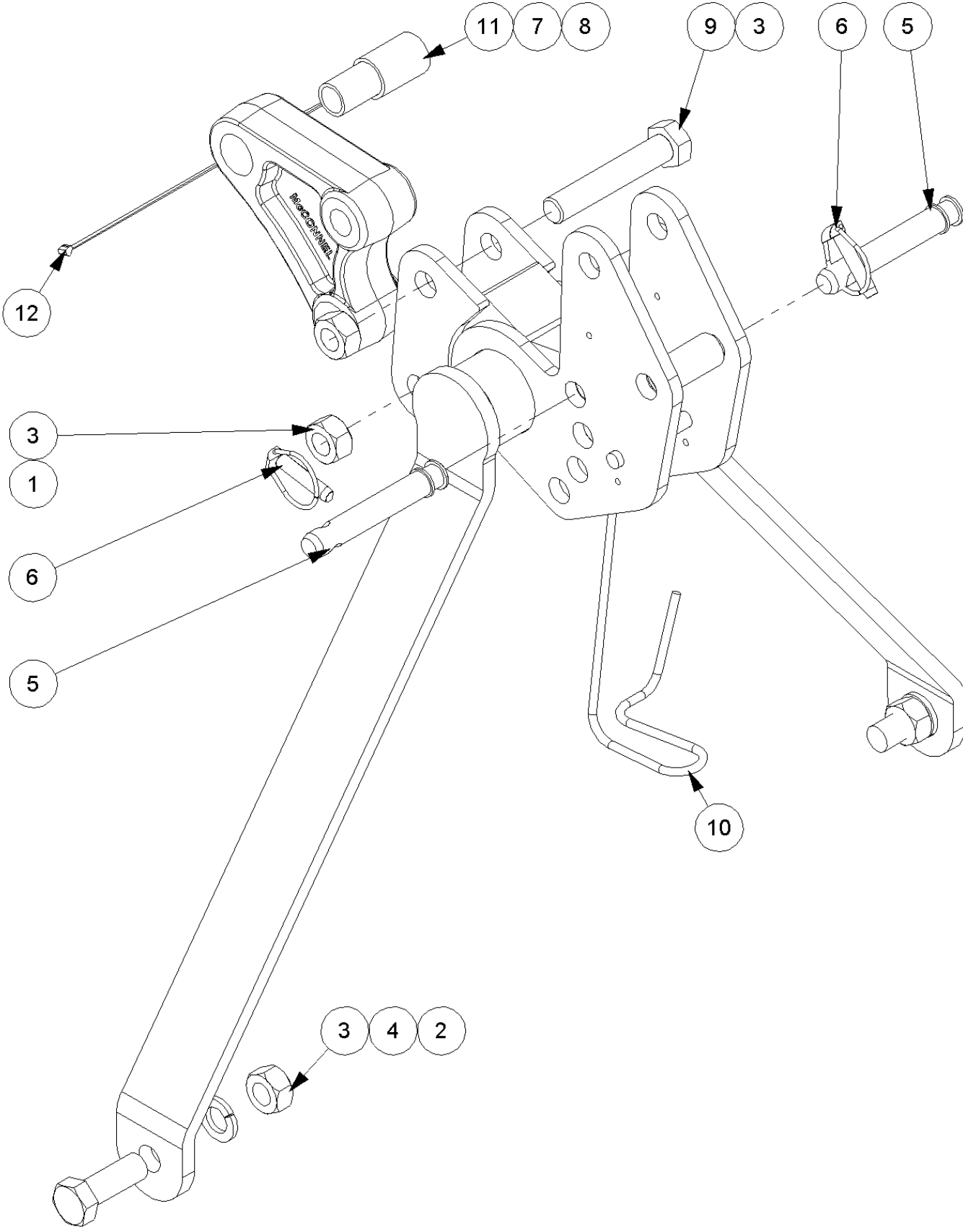
7434584 C - PA3430 MCC DECAL KIT



7434584 C - PA3430 MCC DECAL KIT

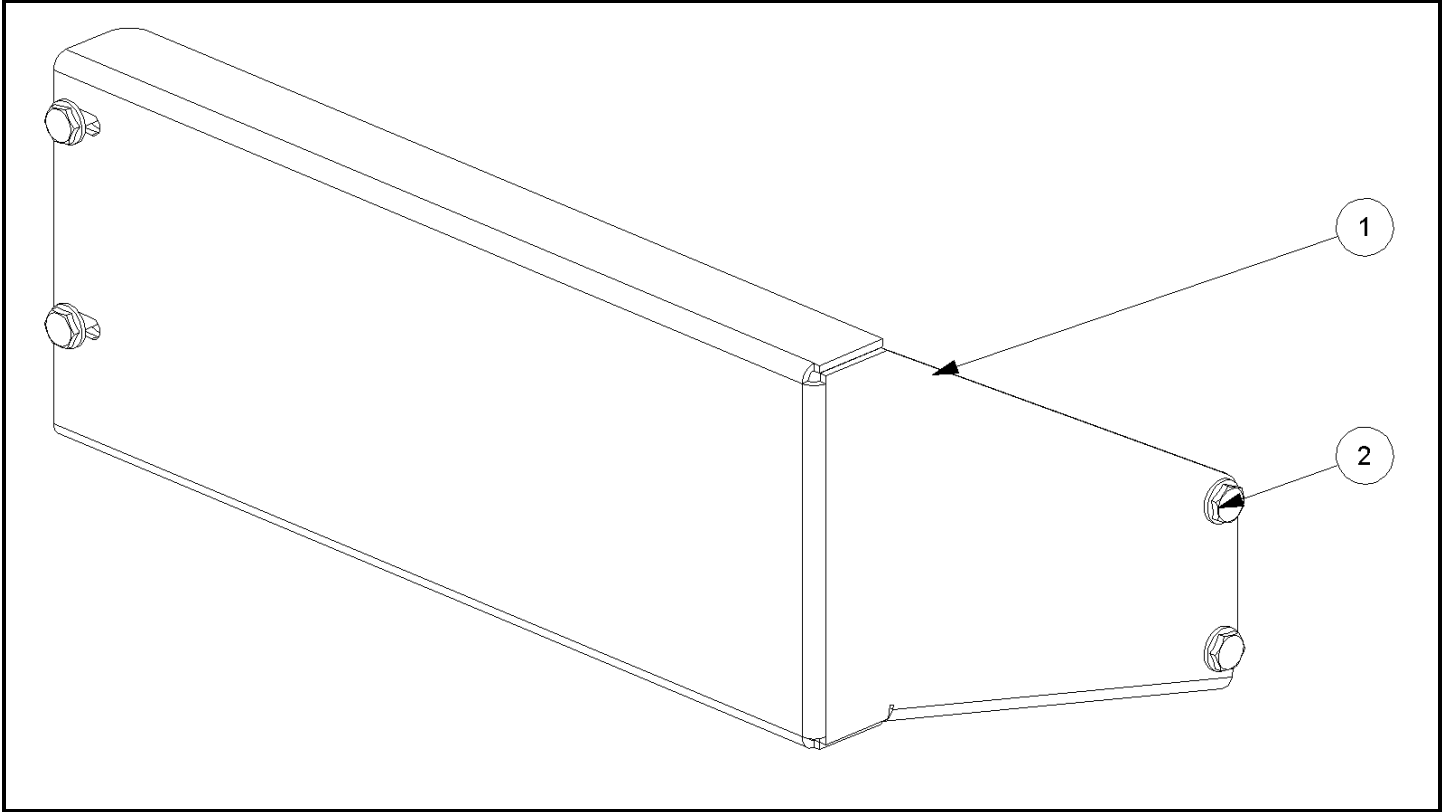
Ref	Part No	Description	Qty
1	1290870	DECAL	1
2	1290869	DECAL	1
3	1290868	DECAL	1
5	1335246	SERIAL No. PLATE	1
6	7103230	RIVET	4
7	45671.01	REFLECTOR	2

7434627 B - STABILIZER KIT



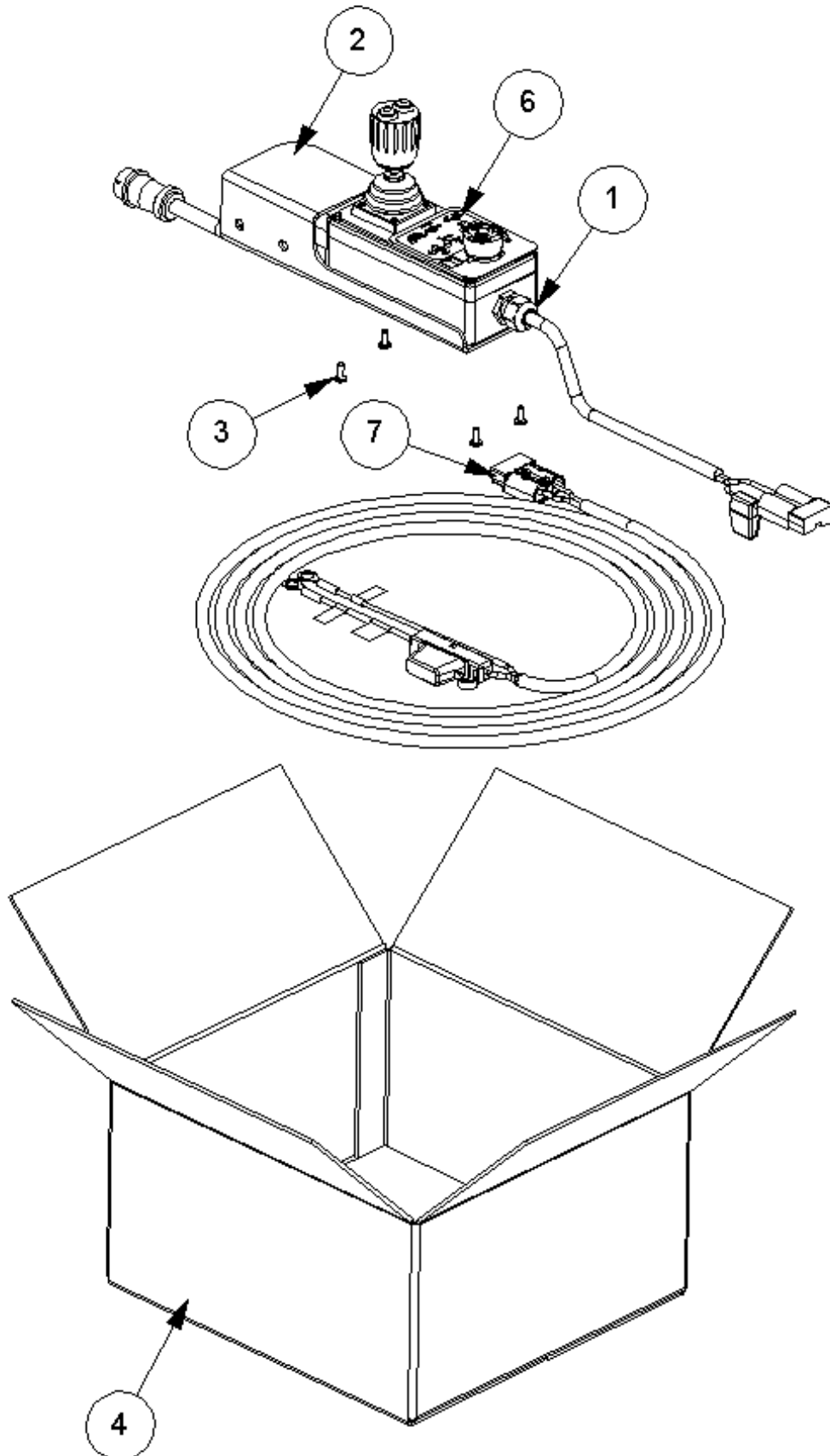
7434627 B - STABILIZER KIT

Ref	Part No	Description	Qty
1	41205.18	STABILIZER	1
2	9313118	SCREW	2
3	9113008	NUT	4
4	9100208	WASHER	2
5	T1657	PIN - LINKAGE	2
6	0431217	PIN	2
7	1467063	SLEEVE	2
8	7499506C	TONGUE STAB CAT 3 CAST	1
9	9213228	BOLT	2
10	21160.03	HOOK	1
11	21883.01	SLEEVE CAT 2-3	1
12	7196045	HOSE TIE	1



7434674 - GUARD MODULE

Ref	Part No	Description	Qty
1	41196.91	PLATE	1
2	9413065	SCREW & NUT	4

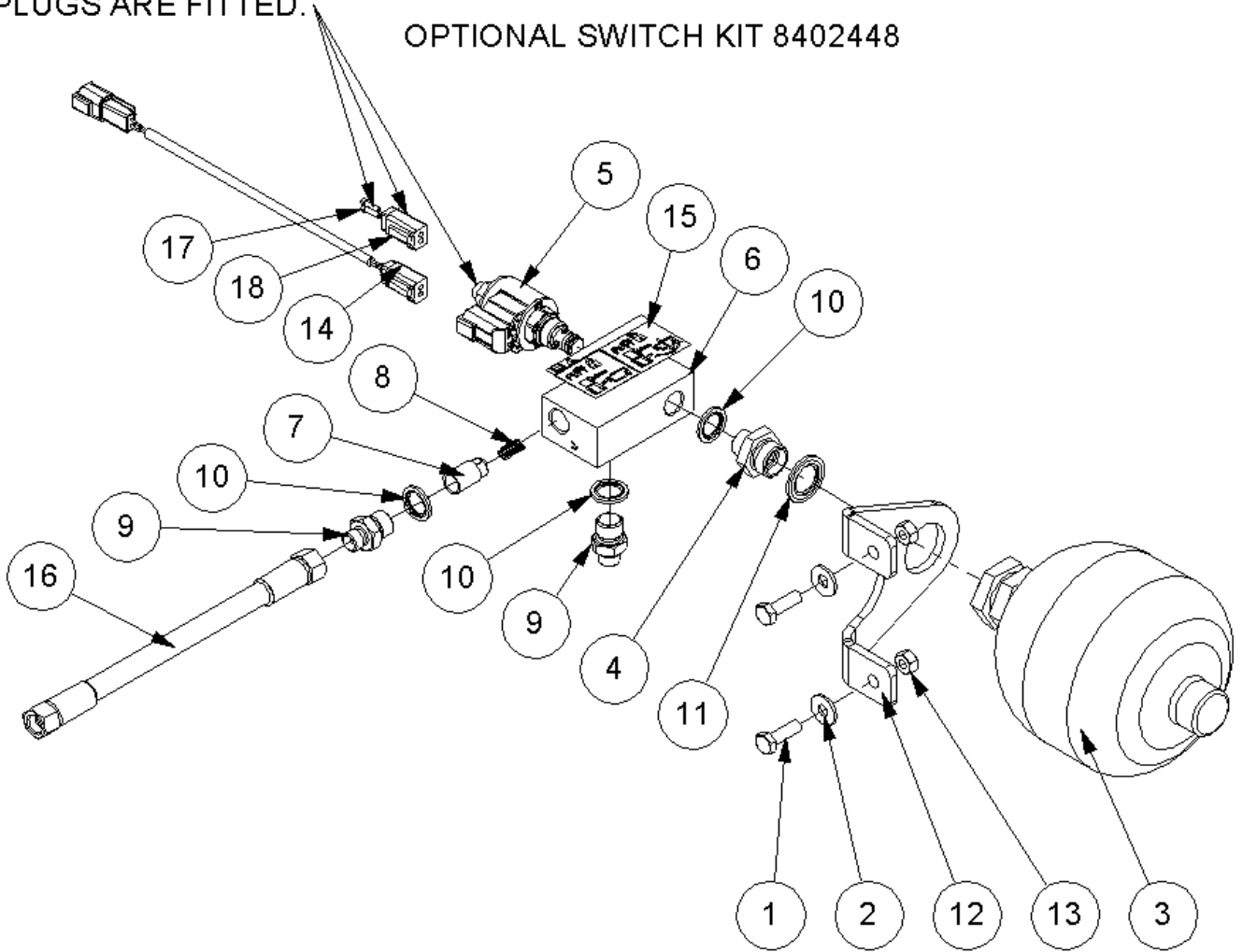


8402919 B - MINI XTC KIT

Ref	Part No	Description	Qty
1	23880.11	MINI CONTROLS	1
2	42442.04	MINI MOTION CONTROLS BRACKET	1
3	2800243	SCREW	4
4	8402701	BOX	1
5	1290717	DECAL	1
6	1291169	OPERATIONAL DECAL	1
7	8402237	LOOM	1

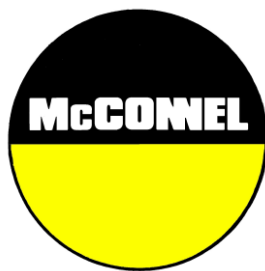
FOR USE ON NON-ELECTRIC MACHINES,
 OMIT LOOM AND OPERATE USING OVER
 RIDE BUTTON ON POPPET VALVE.
 ENSURE CONNECTOR AND SEALING
 PLUGS ARE FITTED.

OPTIONAL SWITCH KIT 8402448



8126376 - LIFT FLOAT KIT-PA3430/4330 BSP

Ref	Part No	Description	Qty
1	9313054	SCREW	2
2	9100104	WASHER	2
3	8126042	ACCUMULATOR	1
4	G2410380	ADAPTOR	1
5	8130223	NC POPPET VALVE	1
8130223 - NC POPPET VALVE			
Ref	Part No	Description	Qty
1	8130220	COIL FOR 8130223	1
2	8130221	VALVE FOR 8130223	1
3	8130222	COIL RETAINING NUT FOR 8130223	1
6	8126287	BLOCK	1
7	8126037	PISTON	1
8	8116011	SPRING	1
9	8581115	ADAPTOR	2
10	8650103	SEAL	3
11	8650322	SEAL	1
12	22852.52	BRACKET	1
13	9163004	NUT	2
14	41844.54	ANGLE FLOAT LOOM 2M DT CONNECT	1
15	1290061	DECAL	1
16	10.001.10	HOSE	1
17	45594.49	SEALING PLUG	2
18	45594.37	DEUTSCH DT06-2S	1



McConnel Limited, Temeside Works, Ludlow, Shropshire SY8 1JL. England.
Telephone: 01584 873131. Facsimile: 01584 876463. www.mcconnel.com