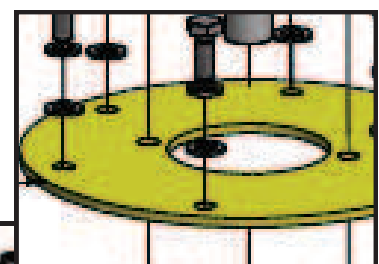
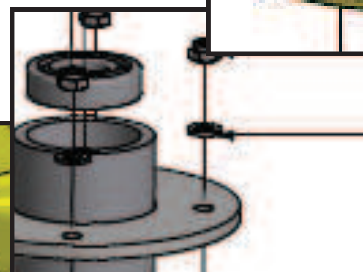
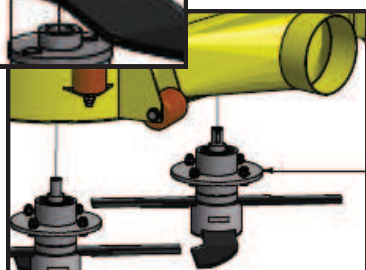
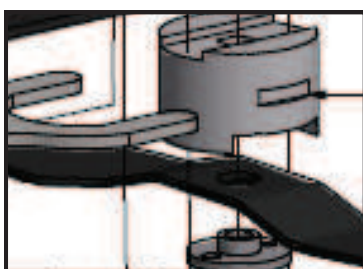
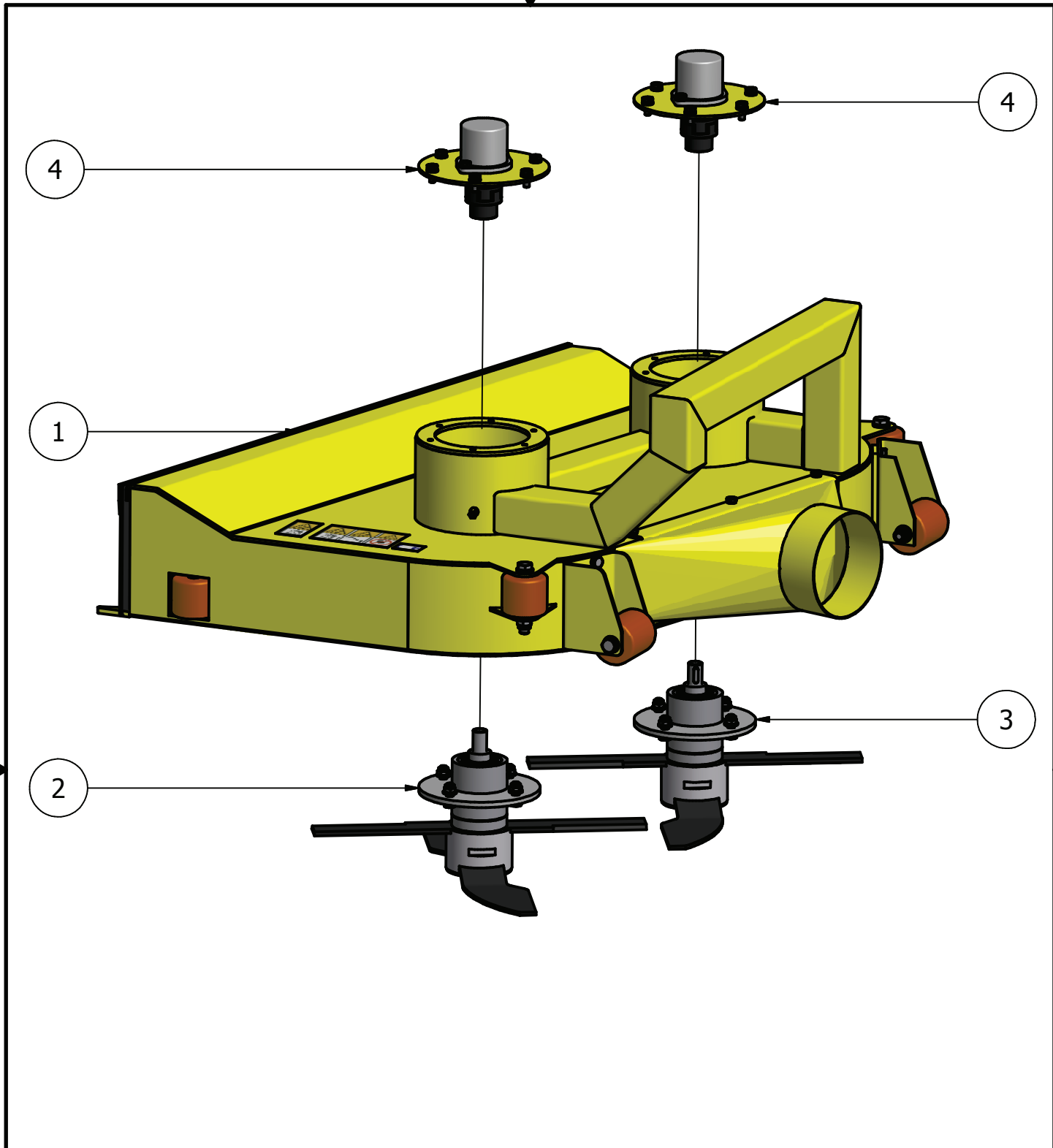


POWER RM1250pro

Onderdelenboek

Parts Manual




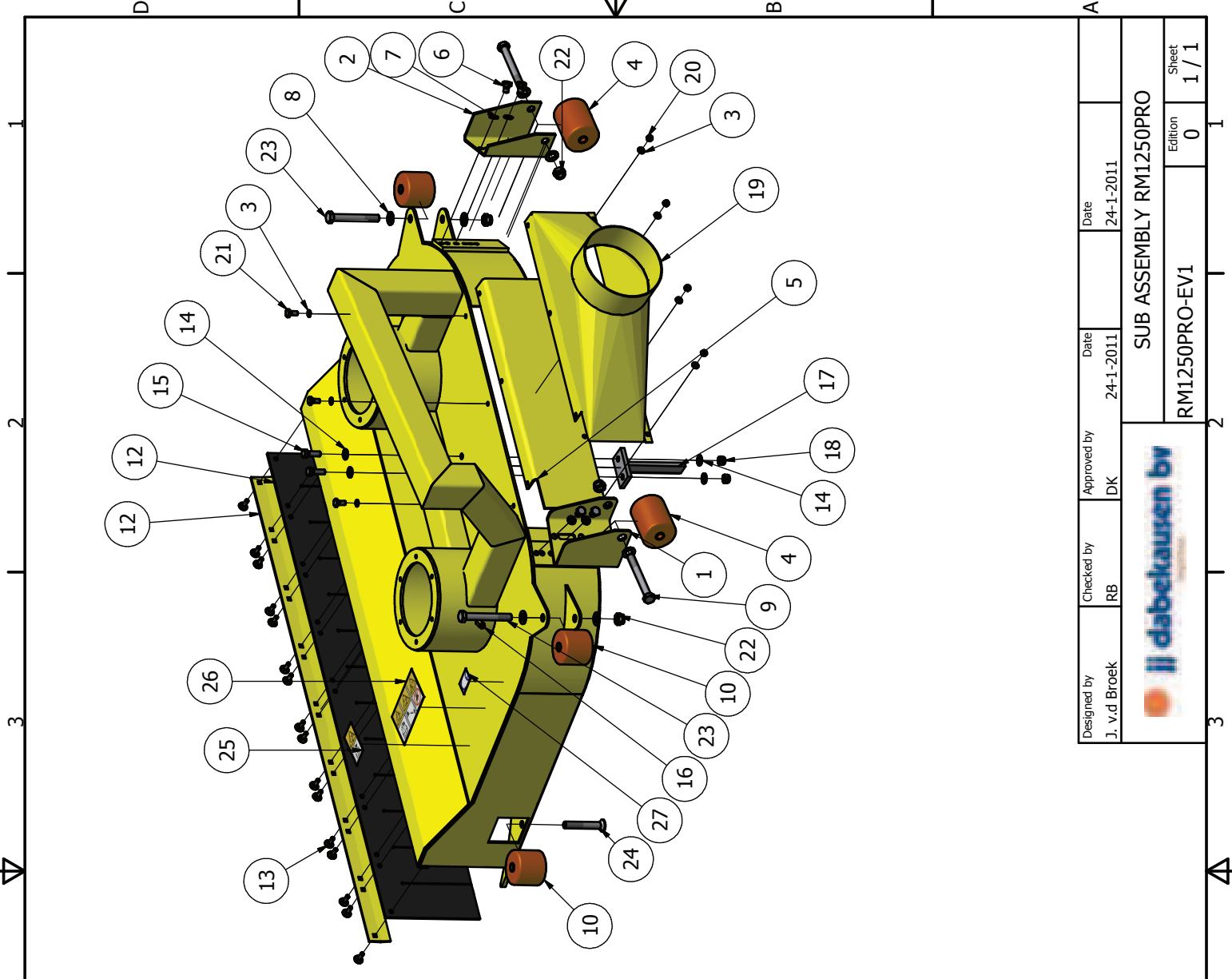


PARTS LIST

ITEM	QTY	PART NUMBER	DESCRIPTION
1	1	RM1250PRO-EV1	SUB ASSEMBLY RM1250PRO
2	1	RM1250PRO-EV2	ROTOR ASSEMBLY LEFT RM1250RPO
3	1	RM1250PRO-EV3	ROTOR ASSEMBLY RIGHT RM1250PRO
4	2	RM1250PRO-EV4	MOTOR ASSEMBLY RM1250PRO

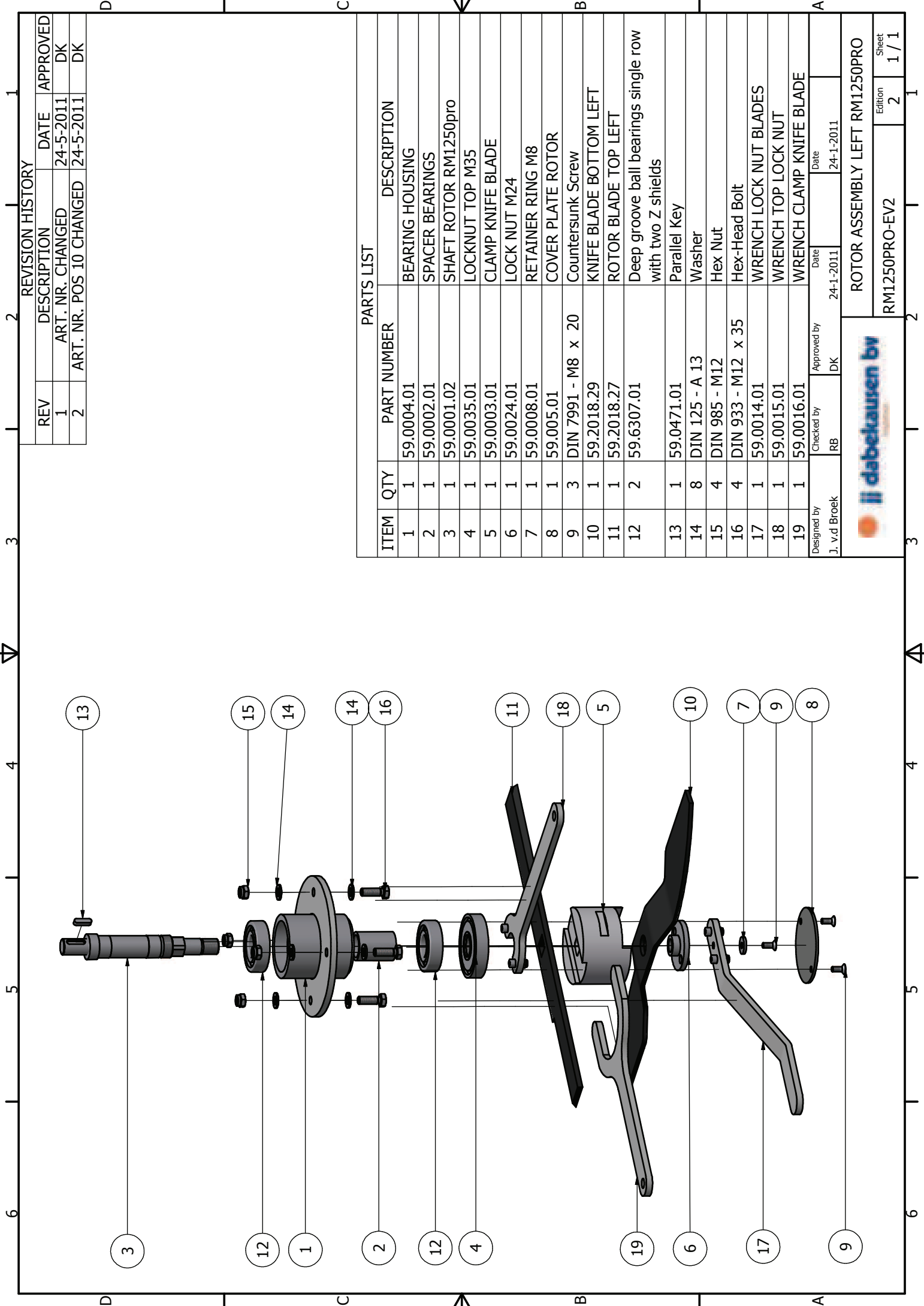
Designed by JB	Checked by RB	Approved by DK	Date 24-1-2011	Date 24-1-2011
-------------------	------------------	-------------------	-------------------	-------------------

	ASSEMBLY RM1250PRO		
	RM1250PRO-EV0	Edition 0	Sheet 1 / 1



PARTS LIST			
ITEM	QTY	PART NUMBER	DESCRIPTION
1	1	59.0007.01	BRACKET SUPPORT ROLL
2	1	BBRR100	BRACKET SUPPORT ROLL 100 RIGHT
3	10	DIN 125 - A 8.4	Washer
4	2	59.0082.01	SUPPORT ROLL DIA 82 L100
5	1	59.0010.01	COVER
6	4	DIN 933 - M12 x 16	Hex-Head Bolt
7	4	DIN 125 - A 10.5	Washer
8	8	DIN 125 - A 17	Washer
9	2	DIN 931-1 - M16 x 140	Hex-Head Bolt
10	3	59.7501.01	SUPPORT ROLL DIA 82 L75MM
11	4	DIN 7991 - M8 x 20	Countersunk Screw
12	2	MCC-7290375	PROTECTION FLAP
13	16	DIN 603 - M8 x 25	Cup Head Square Neck Bolt
14	4	DIN 125 - A 13	Washer
15	2	DIN 933 - M12 x 35	Hex-Head Bolt
16	2	DIN 71412 - AM8 x 1 coned short	Lubricating Nipple, coned Type A
17	1	59.0011.01	CONTRA KNIFE BLADE
18	2	DIN 985 - M12	Hex Nut
19	1	59.0012.01	SUCTION HEAD
20	23	DIN 985 - M8	Hex Nut
21	3	DIN 933 - M10 x 20	Hex-Head Bolt
22	4	DIN 985 - M16	Hex Nut
23	2	DIN 931-1 - M16 x 120	Hex-Head Bolt
24	1	DIN 7991 - M16 x 100	Countersunk Screw
25	1	09.821.29	WARNING STICKER 1
26	1	09.821.30	WARNING STICKER 2
27	1	59.0013.01	CE STICKER

Designed by J. v.d Broek	Checked by RB	Approved by DK	Date 24-1-2011	Date 24-1-2011
			SUB ASSEMBLY RM1250PRO	
			RM1250PRO-EV1	
			Edition 0	Sheet 1 / 1



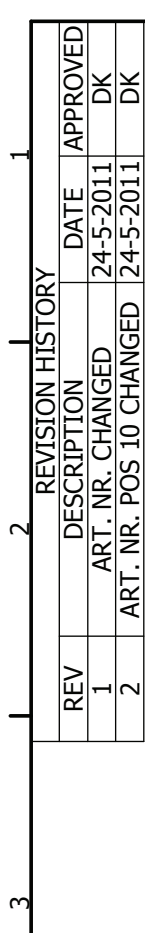
ITEM	QTY	PART NUMBER	DESCRIPTION
1	1	59.0004.01	BEARING HOUSING
2	1	59.0002.01	SPACER BEARINGS
3	1	59.0001.02	SHAFT ROTOR RM1250pro
4	1	59.0035.01	LOCKNUT TOP M35
5	1	59.0003.01	CLAMP KNIFE BLADE
6	1	59.0024.01	LOCK NUT M24
7	1	59.0008.01	RETAINER RING M8
8	1	59.005.01	COVER PLATE ROTOR
9	3	DIN 7991 - M8 x 20	Countersunk Screw
10	1	59.2018.29	KNIFE BLADE BOTTOM LEFT
11	1	59.2018.27	ROTOR BLADE TOP LEFT
12	2	59.6307.01	Deep groove ball bearings single row with two Z shields
13	1	59.0471.01	Parallel Key
14	8	DIN 125 - A 13	Washer
15	4	DIN 985 - M12	Hex Nut
16	4	DIN 933 - M12 x 35	Hex-Head Bolt
17	1	59.0014.01	WRENCH LOCK NUT BLADES
18	1	59.0015.01	WRENCH TOP LOCK NUT
19	1	59.0016.01	WRENCH CLAMP KNIFE BLADE

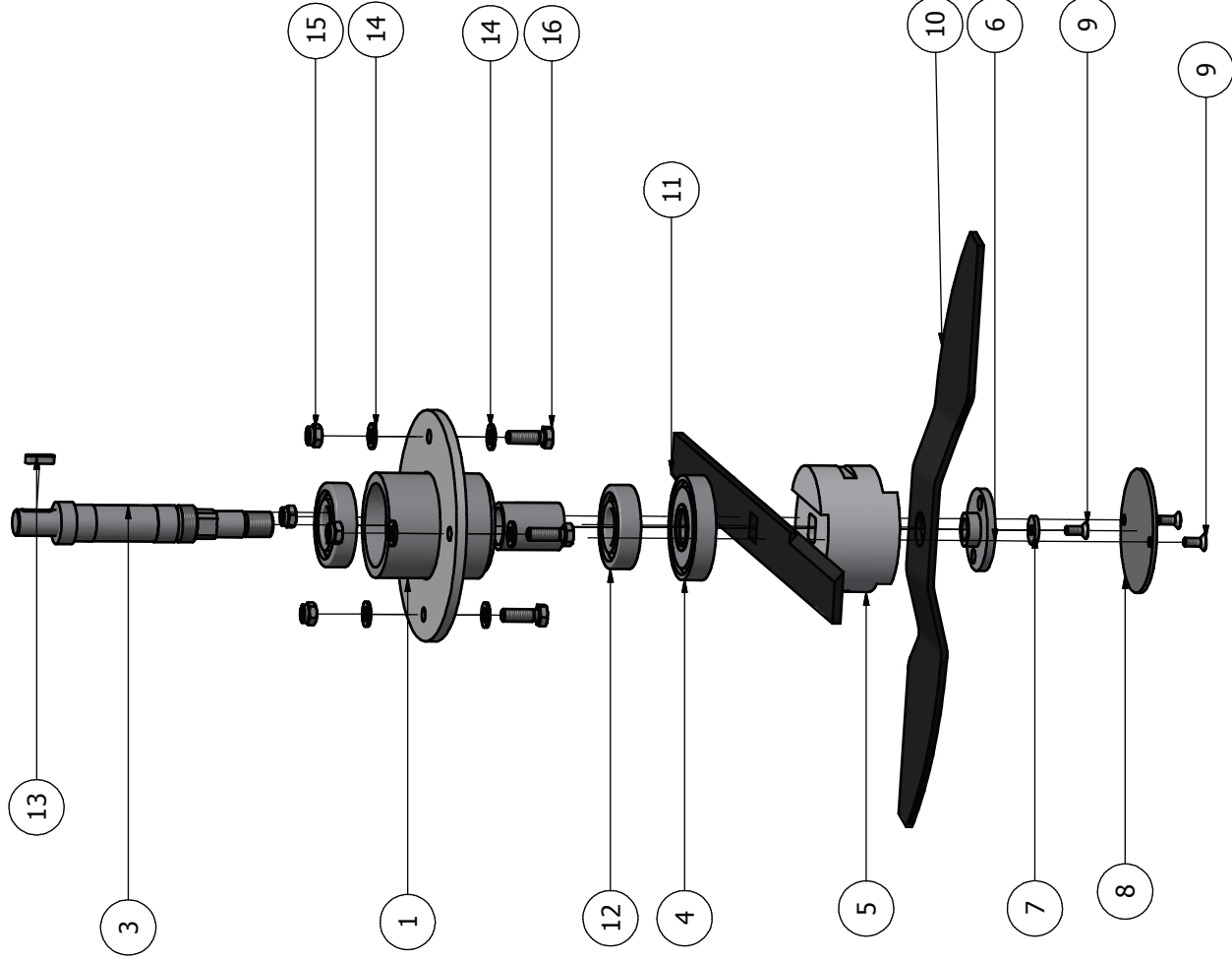
PARTS LIST

REV	DESCRIPTION	DATE	APPROVED
1	ART. NR. CHANGED	24-5-2011	DK
2	ART. NR. POS 10 CHANGED	24-5-2011	DK

DESIGNED BY	CHECKED BY	APPROVED BY	DATE
J. v.d Broek	RB	DK	24-1-2011

ROTOR ASSEMBLY LEFT RM1250PRO
 RM1250PRO-EV2
 Edition 2
 Sheet 1 / 1





REVISION HISTORY			
REV	DESCRIPTION	DATE	APPROVED
1	ART. NR. CHANGED	24-5-2011	DK
2	ART. NR. POS 10 CHANGED	24-5-2011	DK

PARTS LIST			
ITEM	QTY	PART NUMBER	DESCRIPTION
1	1	59.0004.01	BEARING HOUSING
2	1	59.0002.01	SPACER BEARINGS
3	1	59.0001.02	SHAFT ROTOR RM1250pro
4	1	59.0035.01	LOCKNUT TOP M35
5	1	59.0003.01	CLAMP KNIFE BLADE
6	1	59.0024.01	LOCK NUT M24
7	1	59.0008.01	RETAINER RING M8
8	1	59.005.01	COVER PLATE ROTOR
9	3	DIN 7991 - M8 x 20	Countersunk Screw
10	1	59.2018.30	KNIFE BLADE BOTTOM RIGHT
11	1	59.2018.28	ROTOR BLADE TOP RIGHT
12	2	59.6307.01	Deep groove ball bearings single row with two Z shields
13	1	59.0471.01	Parallel Key
14	8	DIN 125 - A 13	Washer
15	4	DIN 985 - M12	Hex Nut
16	4	DIN 933 - M12 x 35	Hex-Head Bolt

Designed by J. v.d Broek	Checked by RB	Approved by DK	Date 24-1-2011
-----------------------------	------------------	-------------------	-------------------

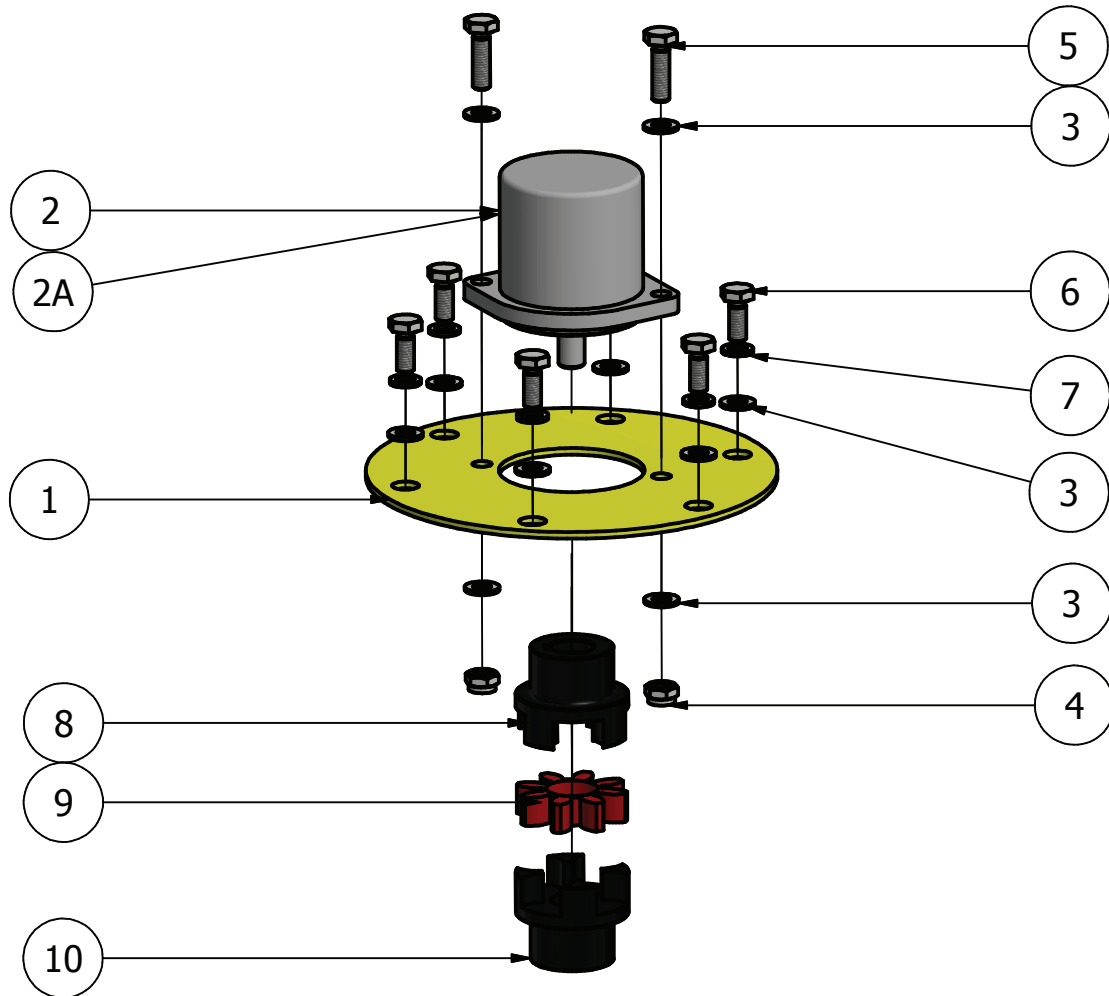
dabeteuren bv

ROTOR ASSEMBLY RIGHT RM1250PRO
 RM1250PRO-EV3

Edition 2
 Sheet 1 / 1

REVISION HISTORY

REV	DESCRIPTION	DATE	APPROVED
1	ART. NR. CHANGED	24-5-2011	DK
2	POS. 2A ADDED	24-5-2011	DK
3	HYDR. MOTORS CHANGED	4-5-2013	DK



PARTS LIST

ITEM	QTY	PART NUMBER	DESCRIPTION
1	1	59.0006.01	MOTOR MOUNTING FLANGE
2	1	59.2137.01	HYDRAULIC MOTOR CW
2A	1	59.1229.01	HYDRAULIC MOTOR ACW
3	10	DIN 125 - A 10,5	Washer
4	2	DIN 985 - M10	Hex Nut
5	2	DIN 933 - M10 x 35	Hex-Head Bolt
6	6	DIN 933 - M10 x 25	Hex-Head Bolt
7	6	DIN 127 - A 10	Spring Washer
8	1	59.0157.01	Coupling Motor
9	1	59.0005.01 B	Coupling Star
10	1	59.0005.01 A	Coupling Rotor

Designed by J. v.d Broek	Checked by RB	Approved by DK	Date 24-1-2011	Date 24-1-2011
-----------------------------	------------------	-------------------	-------------------	-------------------



MOTOR ASSEMBLY RM1250PRO

RM1250PRO-EV4

Edition
3

Sheet
1 / 1