

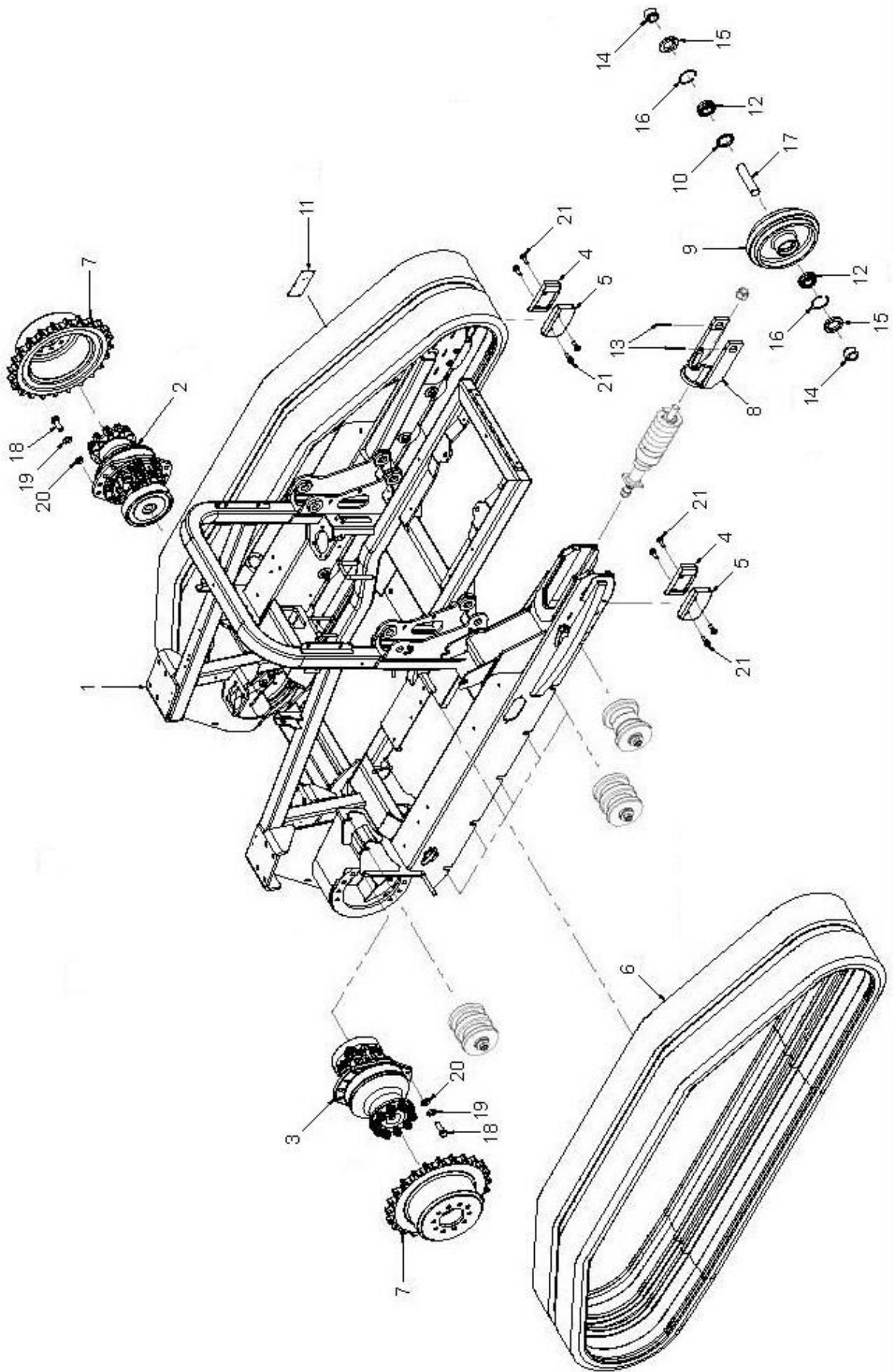
ROBOMAX

- Parts Manual -
For machines 09/16 onwards
From S/No: ROBOM031600007
(February 2017)

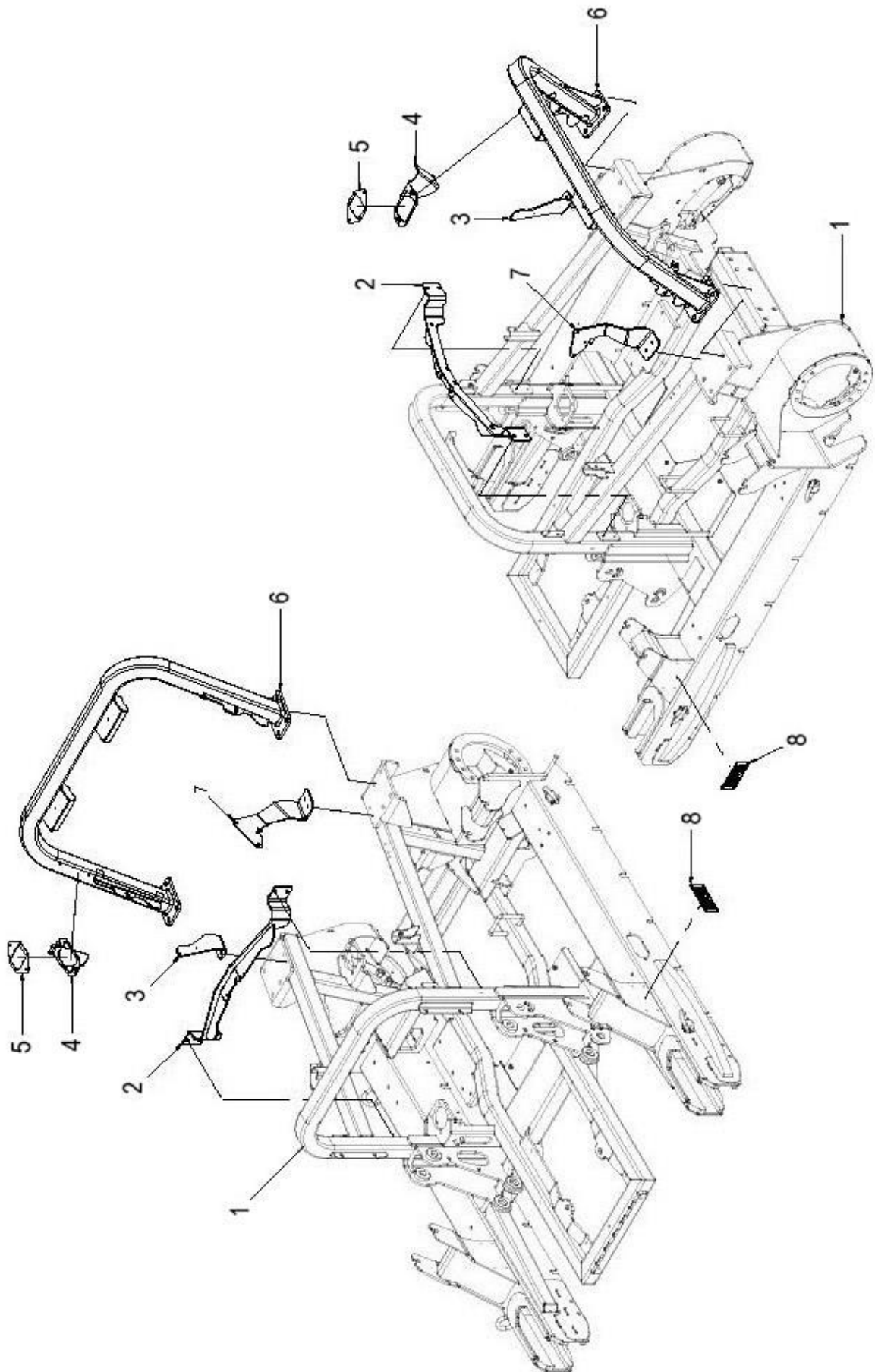


LIST OF CONTENTS

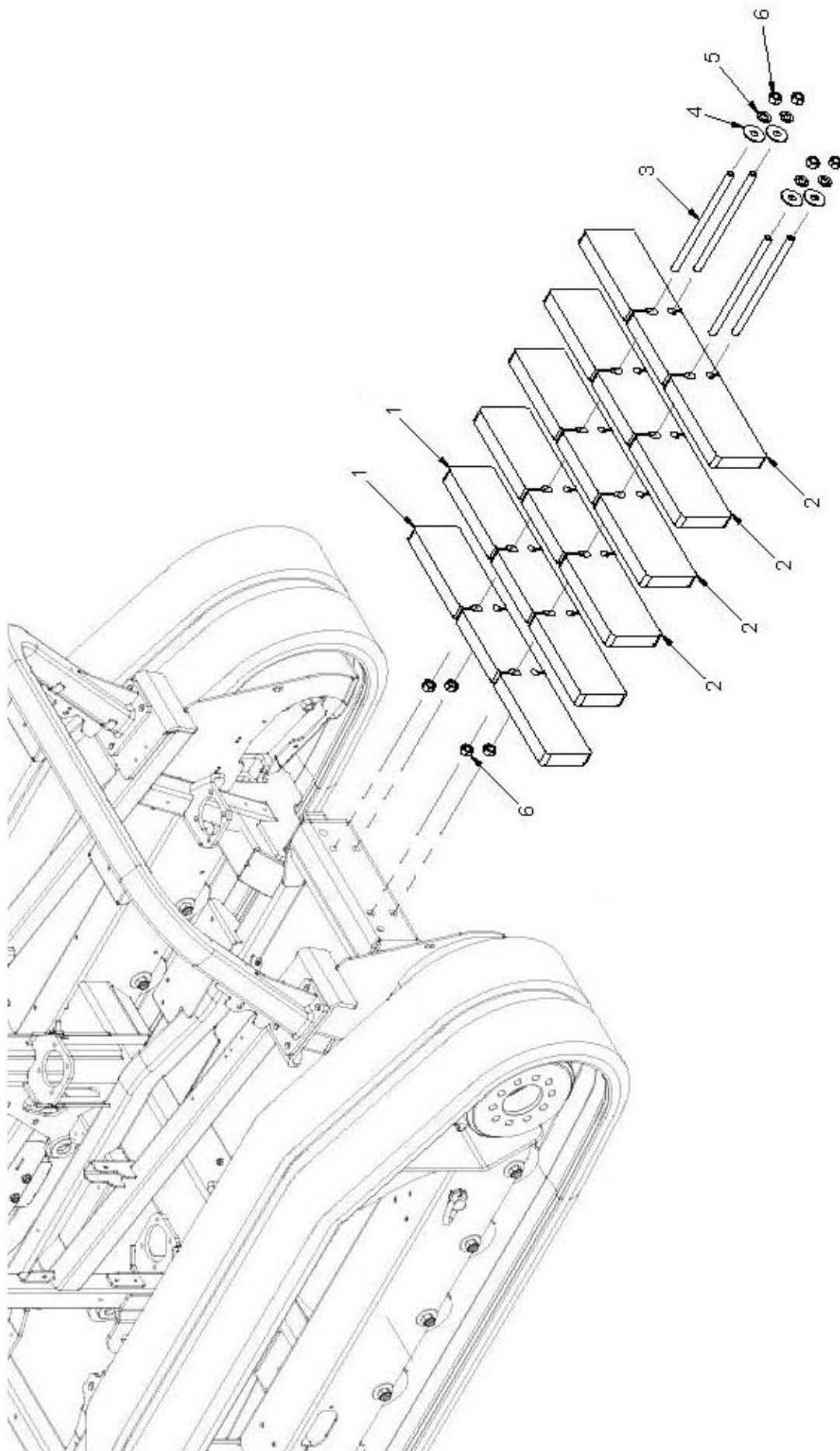
	<i>Page No.</i>
Parts Section	
Chassis Assembly	2
Roll bar Assembly	4
Ballast Weight Kit	6
Equipment Mounting Assembly	8
Track Rollers Assembly	10
Track Tensioner Assembly	12
Track Assembly	14
Lower Covers Assembly	16
Engine Covers Assembly	18
Radiator Cover Assembly	20
Radiator Assembly	22
Engine Support Assembly	24
Engine Components	26
Air Filter Assembly	28
Exhaust System Assembly	30
Fuel System Assembly	32
Actuator Assembly	34
Hydraulic Oil Tank Assembly	36
Reversible Fan System	38
Pumps Assembly	40
Intake & Drain Pumps Assembly	42
Tracks Hydraulic Circuit	44
Hydraulic Equipment Circuit	46
Hydraulic Rams Circuit	48
Electrical System	50
Battery Module	52
Wiring Looms	54



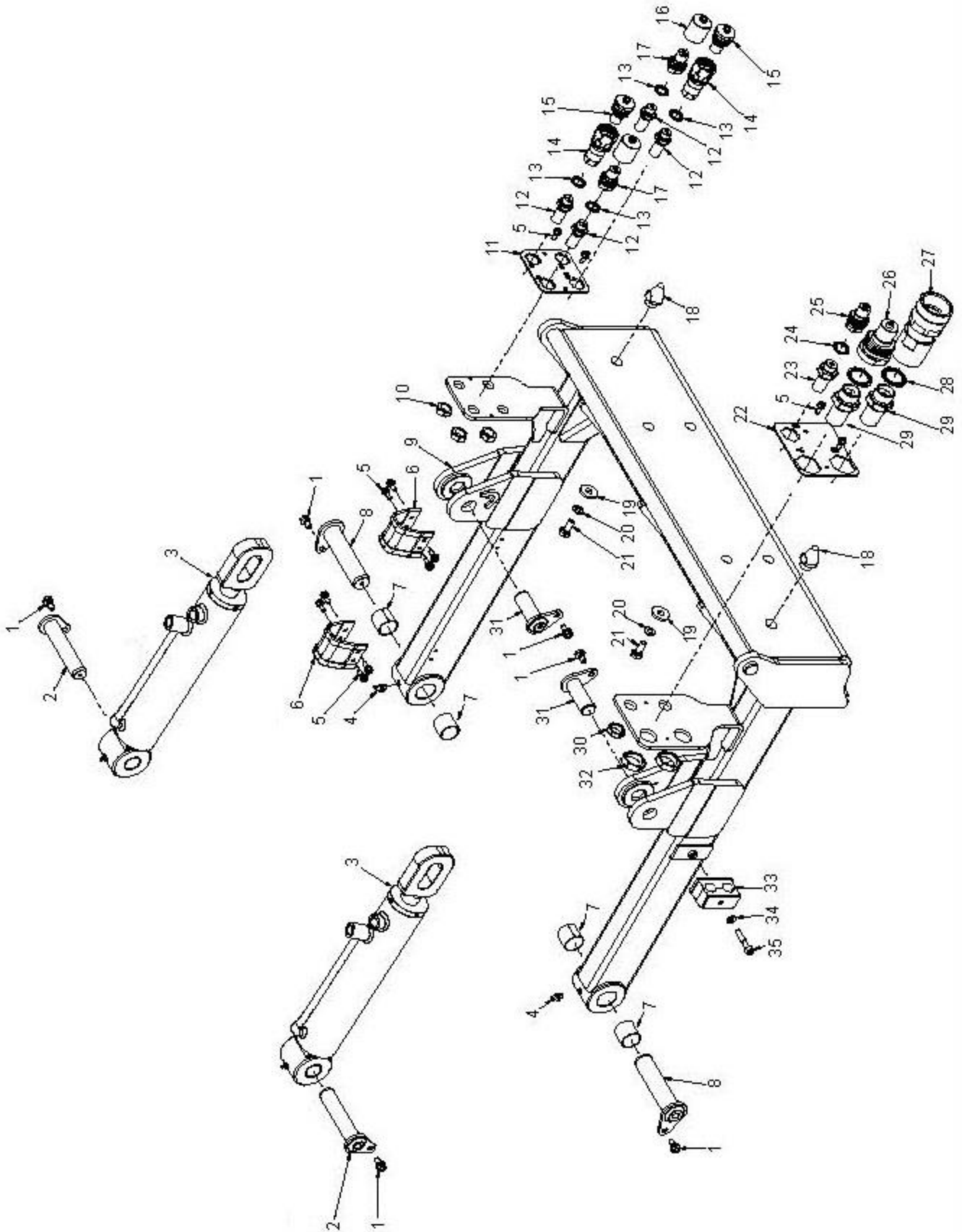
REF.	QTY.	PART No.	DESCRIPTION
			CHASSIS ASSEMBLY
1	1	4005001	MAIN FRAME
2	1	4005002	TRACK LH DRIVE MOTOR
3	1	4005003	TRACK RH DRIVE MOTOR
4	2	4005004	TRACK LH GUIDE
5	2	4005005	TRACK RH GUIDE
6	2	4005006	TRACK
7	2	4005007	DRIVE SPROCKET
8	2	4005008	SPROCKET FORK
9	2	4005009	SPROCKET
10	2	4005010	SPACER
11	1	4005011	IDENTIFICATION PLATE
12	4	4005012	BEARING
13	4	4005013	ROLL PIN
14	4	4000010	BUSH
15	4	4000778	SEAL
16	4	0411262	CIRCLIP
17	2	4000009	PIN
18	16	4001529	BOLT
19	16	4000610	WASHER
20	16	4001537	WASHER
21	8	7315894	BOLT



REF.	QTY.	PART No.	DESCRIPTION
			ROLL BAR ASSEMBLY
1	1	4005001	MAIN FRAME
2	1	4005014	SUPPORT BRACE
3	1	4005015	BRACKET
4	1	4005016	BRACKET
5	1	4005017	BRACKET SPACER
6	1	4005018	ROLL BAR
7	1	4005019	BRACKET
8	1	4005011	IDENTIFICATION PLATE

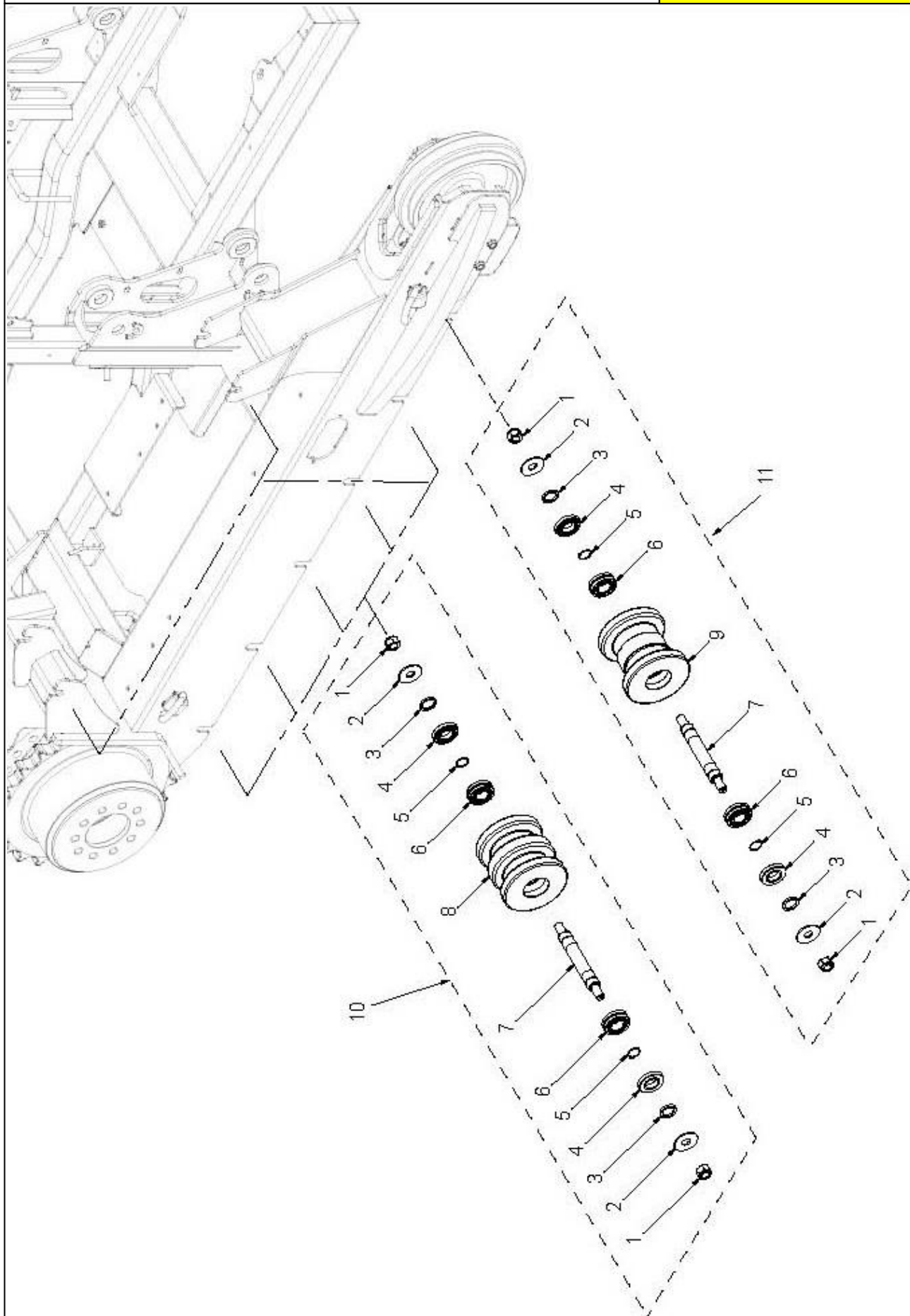


REF.	QTY.	PART No.	DESCRIPTION
			BALLAST WEIGHT KIT
1	2	4005020	BALLAST WEIGHT BLOCK
2	4	4005021	BALLAST WEIGHT BLOCK
3	4	4005022	STUD
4	4	0100106	WASHER
5	4	9100207	WASHER
6	8	4001650	NUT

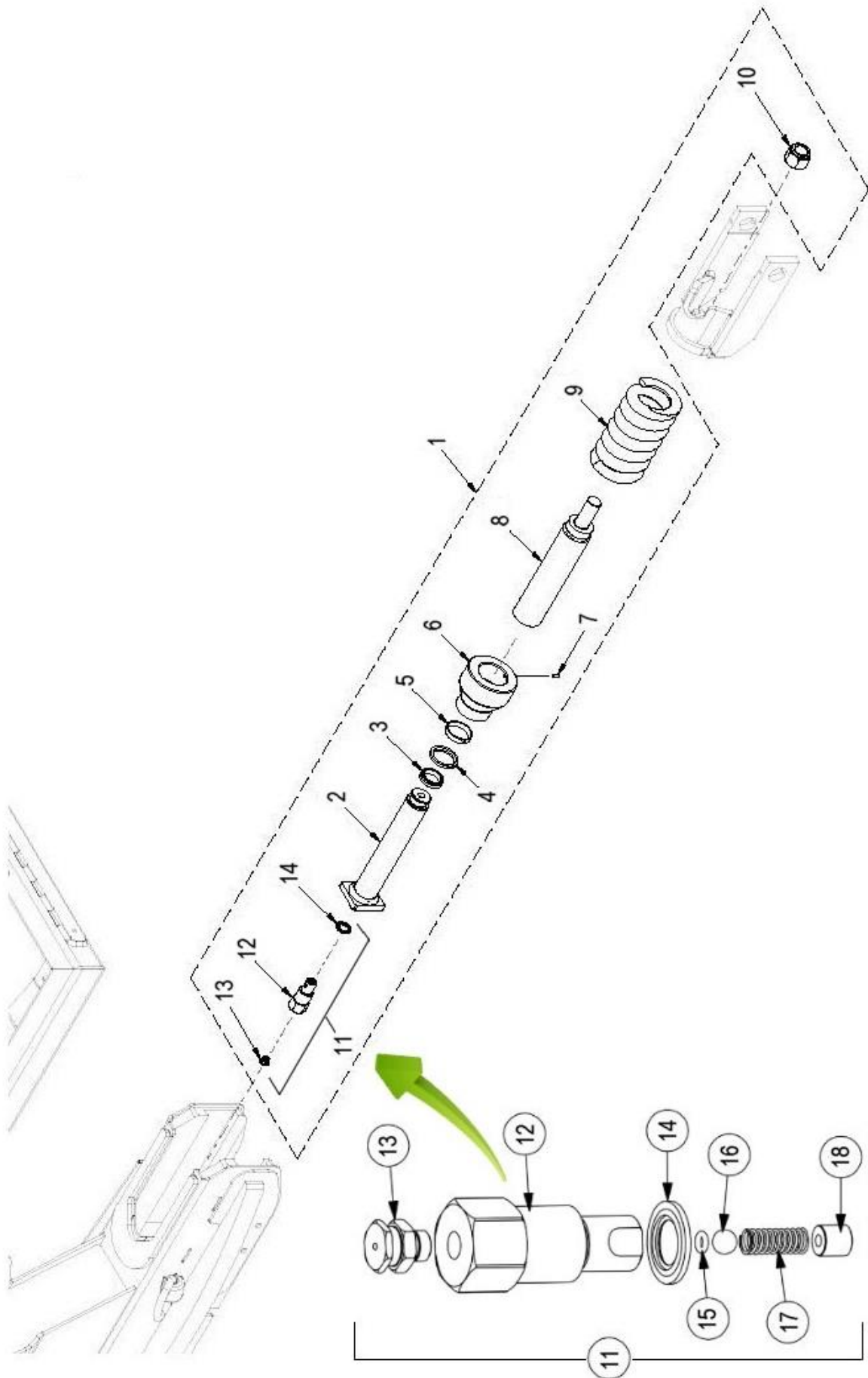


ROBOMAX

REF.	QTY.	PART No.	DESCRIPTION
			EQUIPMENT MOUNTING ASSEMBLY
1	6	4000353	SETSCREW
2	2	4005023	PIN
3	2	4005024	HYDRAULIC RAM
4	2	4000020	GREASE NIPPLE
5	12	4000071	SETSCREW
6	2	4005025	COLLAR
7	4	4005026	BUSH
8	2	7315570	PIVOT PIN
9	1	4005027	MOUNTING FRAME
10	4	4000130	NUT
11	1	4005028	BULKHEAD PLATE
12	4	4000128	BULKHEAD FITTING
13	4	7315818	BONDED SEAL
14	2	4000132	CONNECTION
15	2	4000140	PLUG
16	2	4000668	PLUG
17	2	4000135	CONNECTION
18	2	4005029	ALIGNMENT LUG
19	2	9100105	WASHER
20	2	4000415	WASHER
21	2	4000209	BOLT
22	1	4005030	BULKHEAD PLATE
23	1	4000129	BULKHEAD FITTING
24	1	4000792	BONDED SEAL
25	1	4000134	CONNECTION
26	1	4005031	CONNECTION
27	1	4005032	CONNECTION
28	2	4005033	BONDED SEAL
29	2	4005034	BULKHEAD FITTING
30	1	4000131	NUT
31	2	4005035	PIN
32	2	4005036	NUT
33	1	4000366	HOSE CLAMP
34	1	4000078	WASHER
35	1	4005037	BOLT



REF.	QTY.	PART No.	DESCRIPTION
			TRACK ROLLERS ASSEMBLY
1	4	4000757	LOCKNUT
2	4	4005038	WASHER
3	4	4005039	RING
4	4	4000780	ROLLER SEAL
5	4	4005040	RING
6	4	4005041	BEARING
7	2	4005042	ROLLER PIN
8	1	4005043	ROLLER
9	1	4005044	ROLLER
10	1	4005045	ROLLER KIT
11	1	4005046	ROLLER KIT



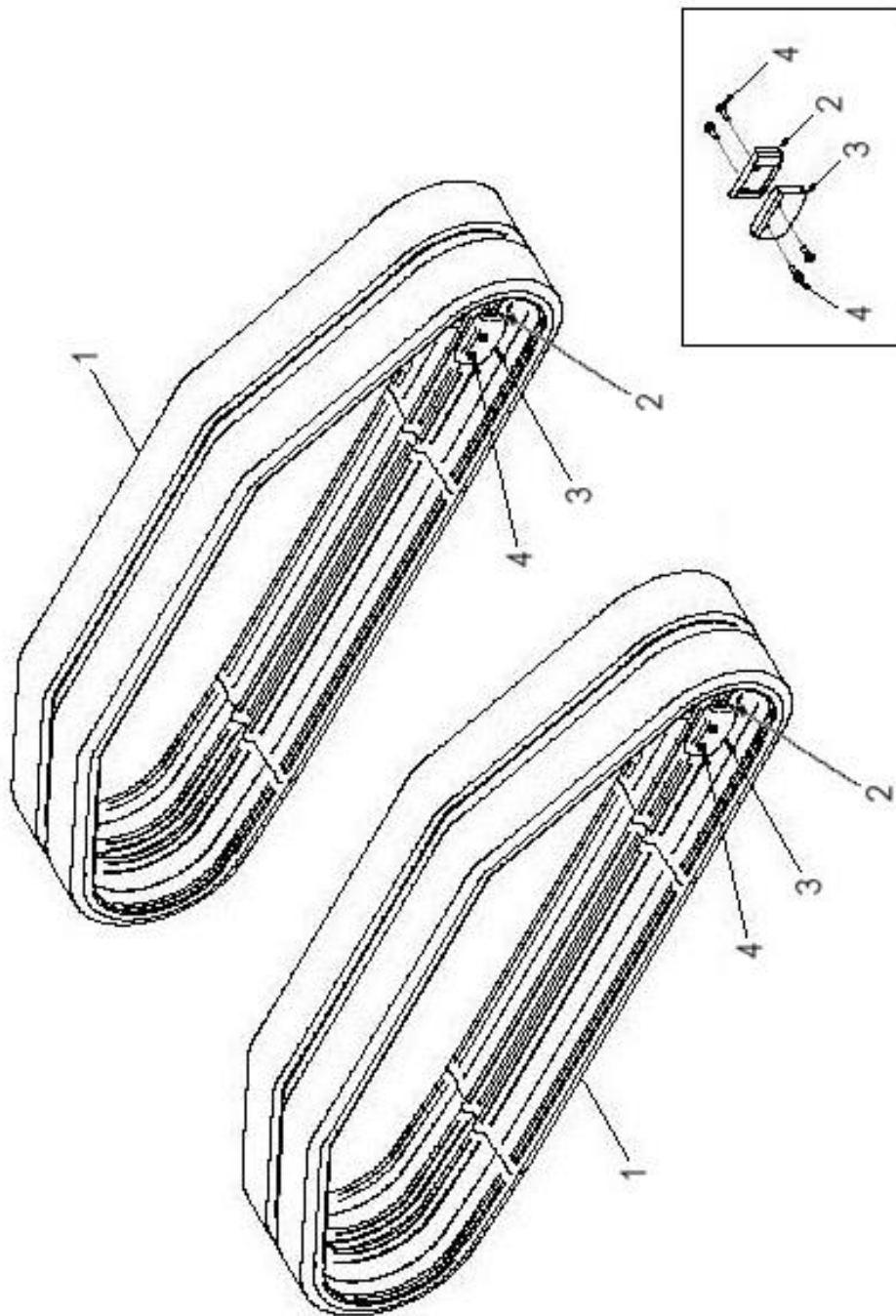
TRACK TENSIONER KIT (4000348)

TRACK TENSIONER ASSEMBLY

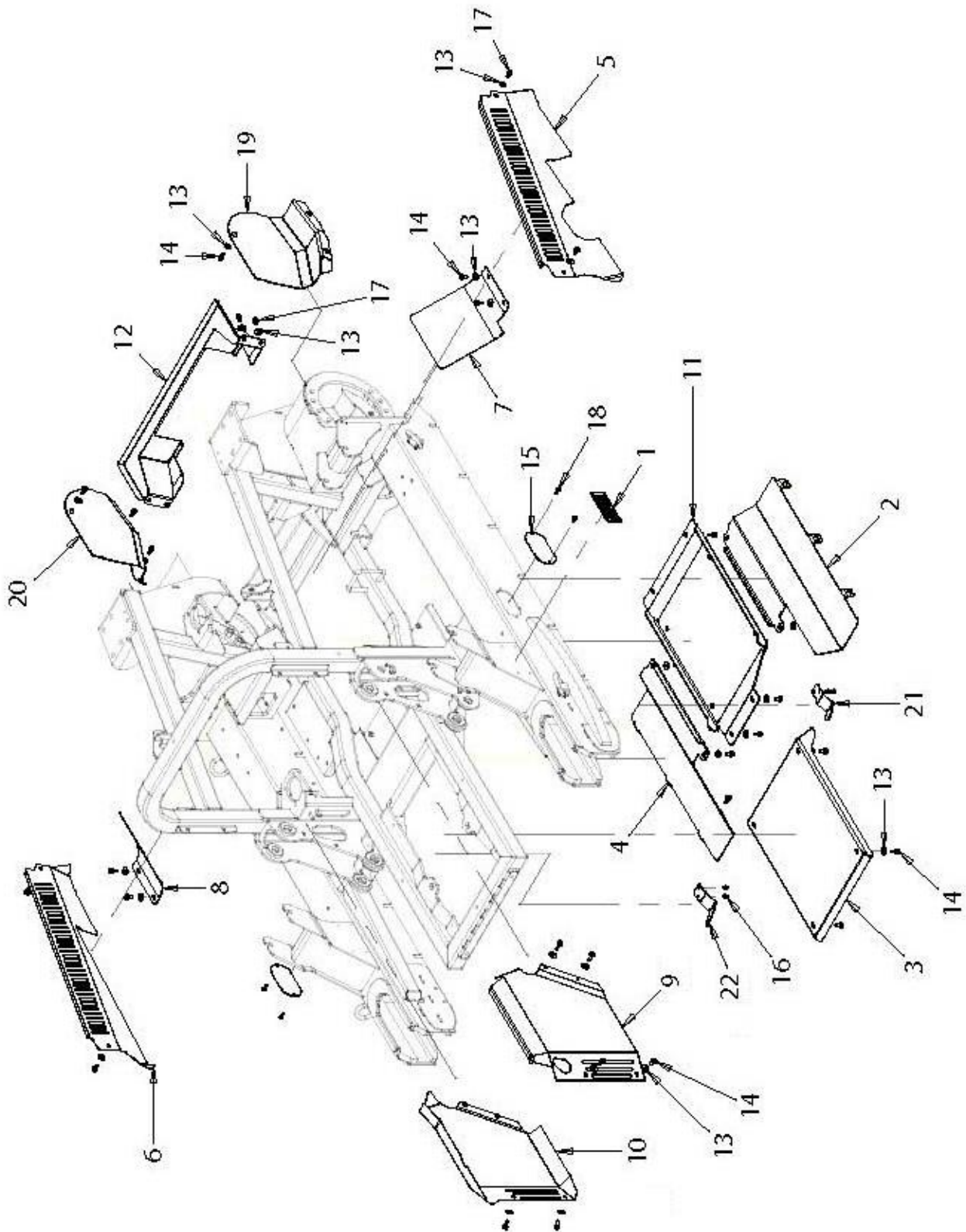


ROBOMAX

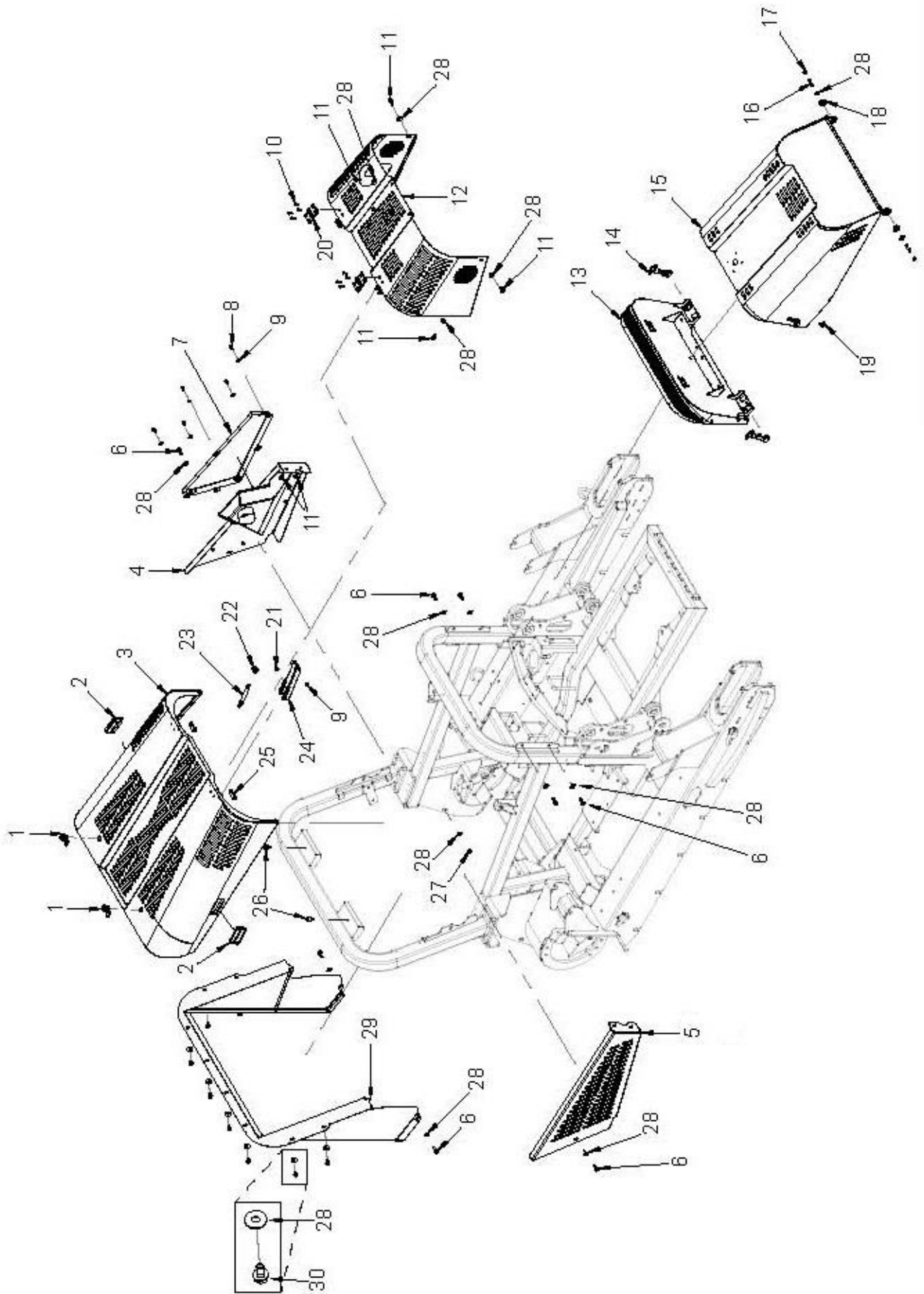
REF.	QTY.	PART No.	DESCRIPTION
			TRACK TENSIONER ASSEMBLY
1	1	4005054	TRACK TENSIONER ASSEMBLY
2	1	4005047	TENSIONER ROD
3	1	4005048	WASHER
4	1	4005049	SCRAPER RING
5	1	4005050	RING
6	1	4005051	COLLAR
7	1	4000354	GRUB SCREW
8	1	4005052	TENSIONER CYLINDER
9	1	4005053	SPRING
10	1	7315897	LOCKNUT
11	1	4000348	TRACK TENSIONER KIT c/o
12	1	4000012	VALVE HOUSING
13	1	4000358	BUTTING HEAD FITTING
	1	4001301	BLANKING PLUG <i>(not shown)</i>
14	1	8650318	BONDED SEAL
15	1	4000030	O RING
16	1	4000013	VALVE
17	1	4000014	SPRING
18	1	4000029	PERFORATED NUT



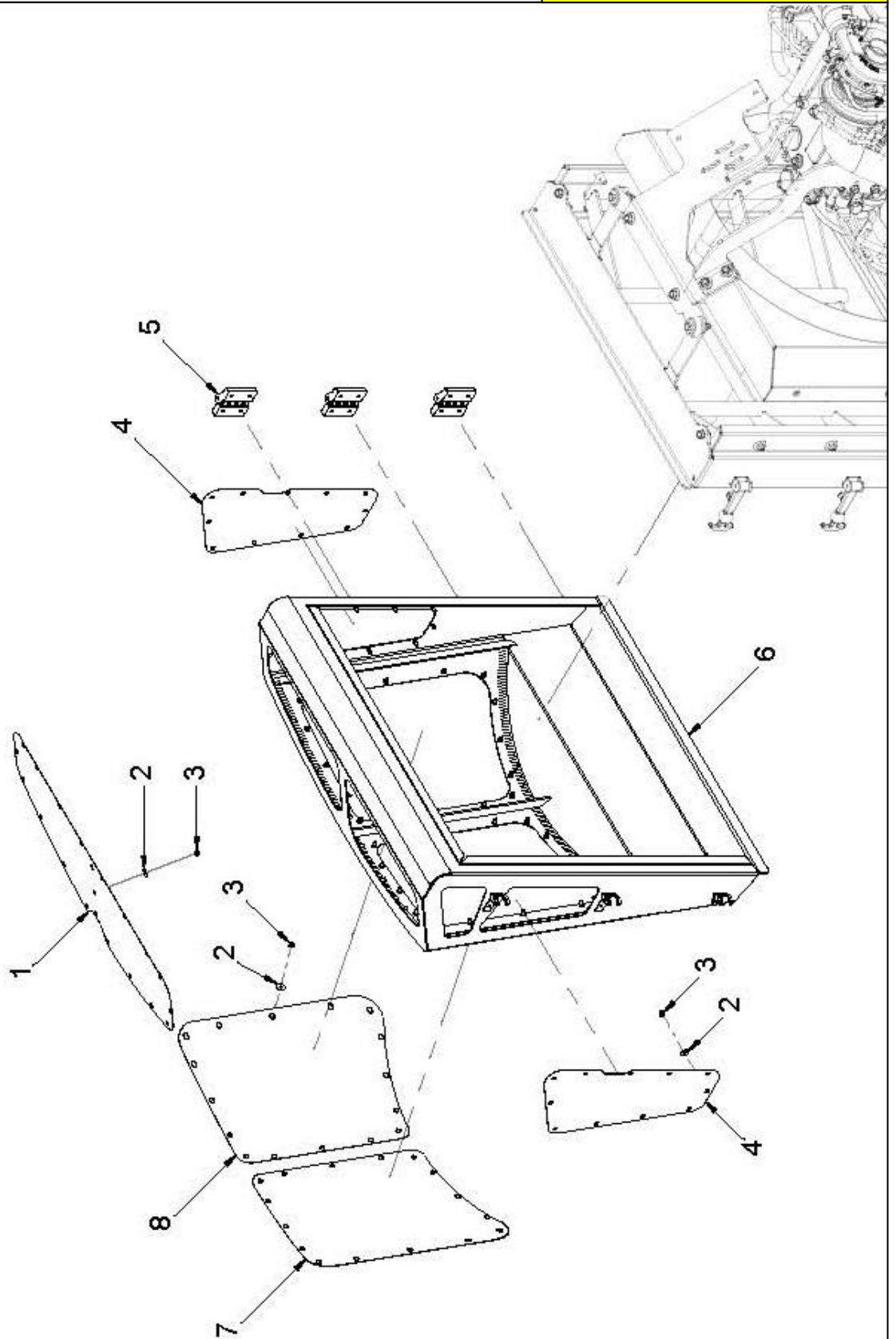
REF.	QTY.	PART No.	DESCRIPTION
			TRACK ASSEMBLY
1	2	4005003	TRACK
2	2	4005004	TRACK LH GUIDE
3	2	4005005	TRACK RH GUIDE
4	8	7315894	BOLT



REF.	QTY.	PART No.	DESCRIPTION
			LOWER COVERS ASSEMBLY
1	1	4005055	IDENTIFICATION PLATE
2	1	4005056	COVER PLATE (LEFT)
3	1	4005057	COVER PLATE (RIGHT)
4	1	4005058	COVER PLATE
5	1	4005059	COVER PANEL (LEFT)
6	1	4005060	COVER PANEL (RIGHT)
7	1	4005061	SIDE PLATE (LEFT)
8	1	4005062	SIDE PLATE (RIGHT)
9	1	4005063	COVER PANEL (LEFT)
10	1	4005064	COVER PANEL (RIGHT)
11	1	4005065	SUMP COVER PLATE
12	1	4005066	REAR PANEL
13	44	4000385	WASHER
14	32	4000380	FLANGED HEAD SCREW
15	2	4000027	SEAL
16	4	4000394	FLANGED HEAD SCREW
17	8	4000353	FLANGED HEAD SCREW
18	4	4000316	FLANGED HEAD SCREW
19	1	4005067	REAR SIDE PANEL (LEFT)
20	1	4005068	REAR SIDE PANEL (RIGHT)
21	1	4005069	BRACKET (LEFT)
22	1	4005070	BRACKET (RIGHT)



REF.	QTY.	PART No.	DESCRIPTION
			ENGINE COVERS ASSEMBLY
1	2	4005071	LOCK
2	2	4005072	HANDLE
3	1	4005073	HOOD (REAR)
4	1	4005074	SIDE COVER (LEFT)
5	1	4005075	SIDE COVER (RIGHT)
6	8	4000445	FLANGED HEAD SCREW
7	1	4005076	MESH COVER
8	5	4000394	FLANGED HEAD SCREW
9	6	4000321	WASHER
10	8	4005077	SCREW
11	10	4000380	SCREW
12	1	4005078	HOOD (FRONT)
13	1	4005079	BULKHEAD PANEL
14	2	4000112	BONNET FASTENER
15	1	4005080	BONNET
16	2	4005081	HEADLESS BOLT
17	2	4000381	LOCKNUT
18	2	4000163	BUSH
19	2	4005082	ANTI-VIBRATION
20	2	4005083	HINGE
21	1	4000115	RUBBER WASHER
22	4	4005084	BUSH
23	2	4005085	SPRING
24	1	4005086	PROTECTION
25	4	4005087	FLANGE
26	2	4000251	ANTI-VIBRATION
27	2	4000865	LOCKNUT
28	26	4000385	WASHER
29	1	4005088	REAR COVER PANEL
30	8	4000353	FLANGED HEAD SCREW

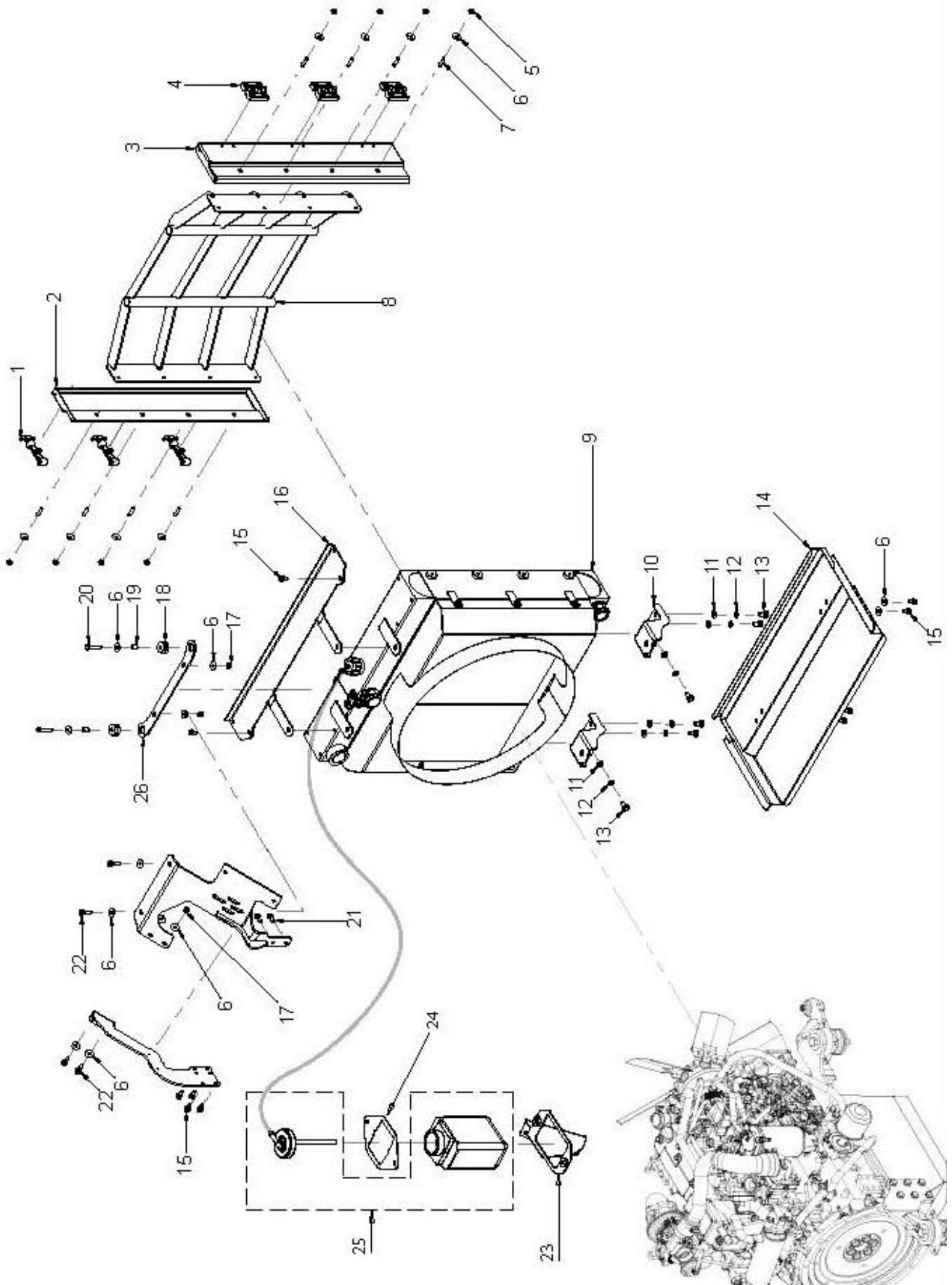


REF.	QTY.	PART No.	DESCRIPTION
			RADIATOR COVER ASSEMBLY
1	1	4001624	MESH
2	76	4001628	WASHER
3	76	4001229	LOCKNUT
4	2	4001625	MESH
5	3	4001629	HINGE
6	1	4001623	RADIATOR BONNET SHELL
7	1	4001626	MESH
8	1	4001627	MESH

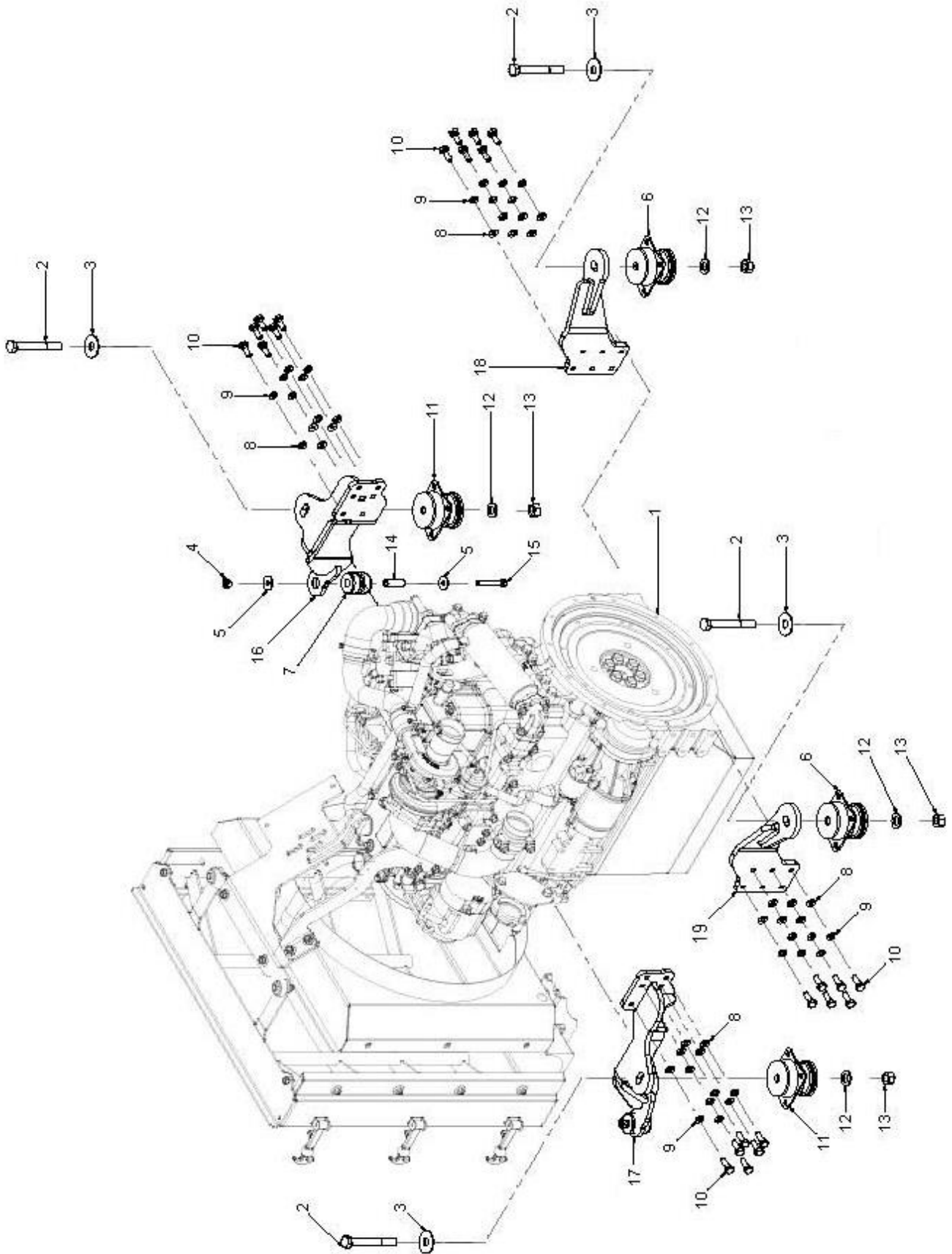
RADIATOR ASSEMBLY

ROBOMAX

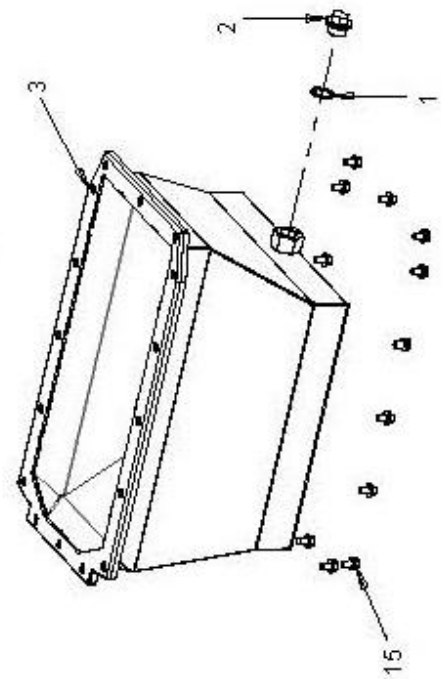
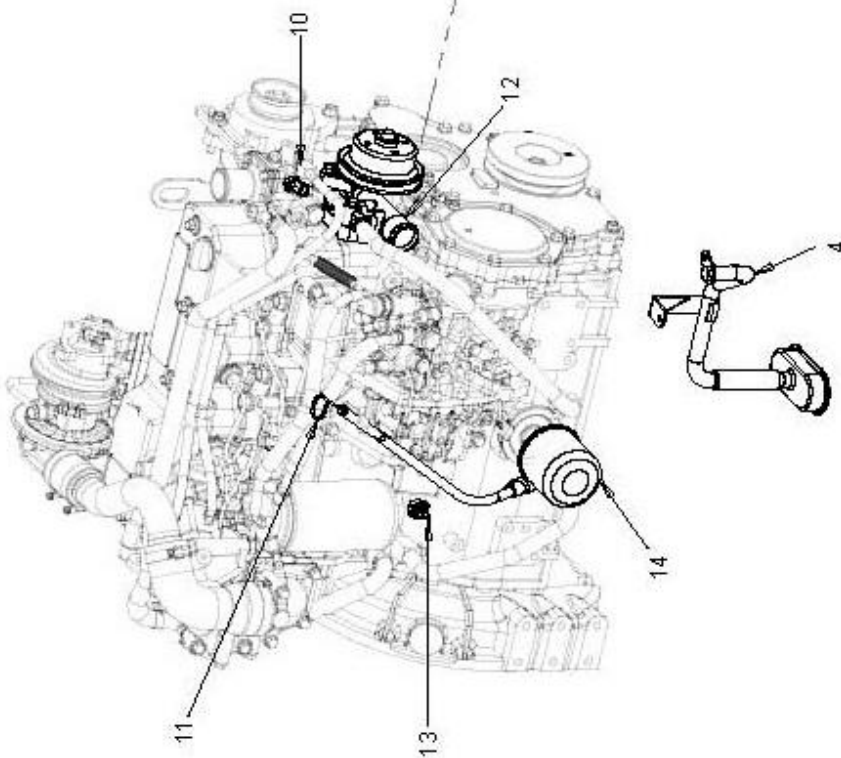
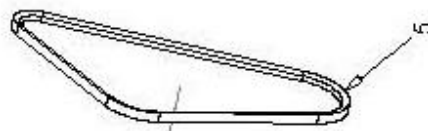
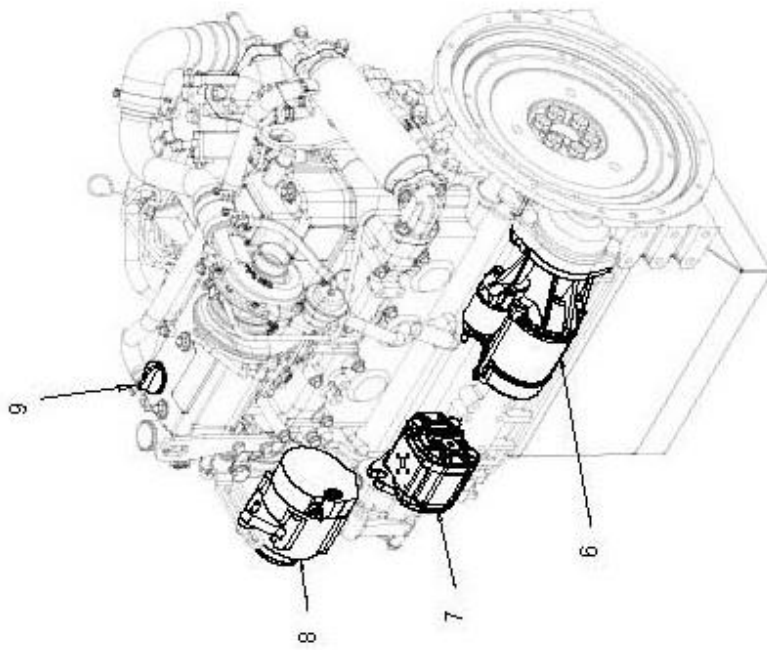
McCONNEL



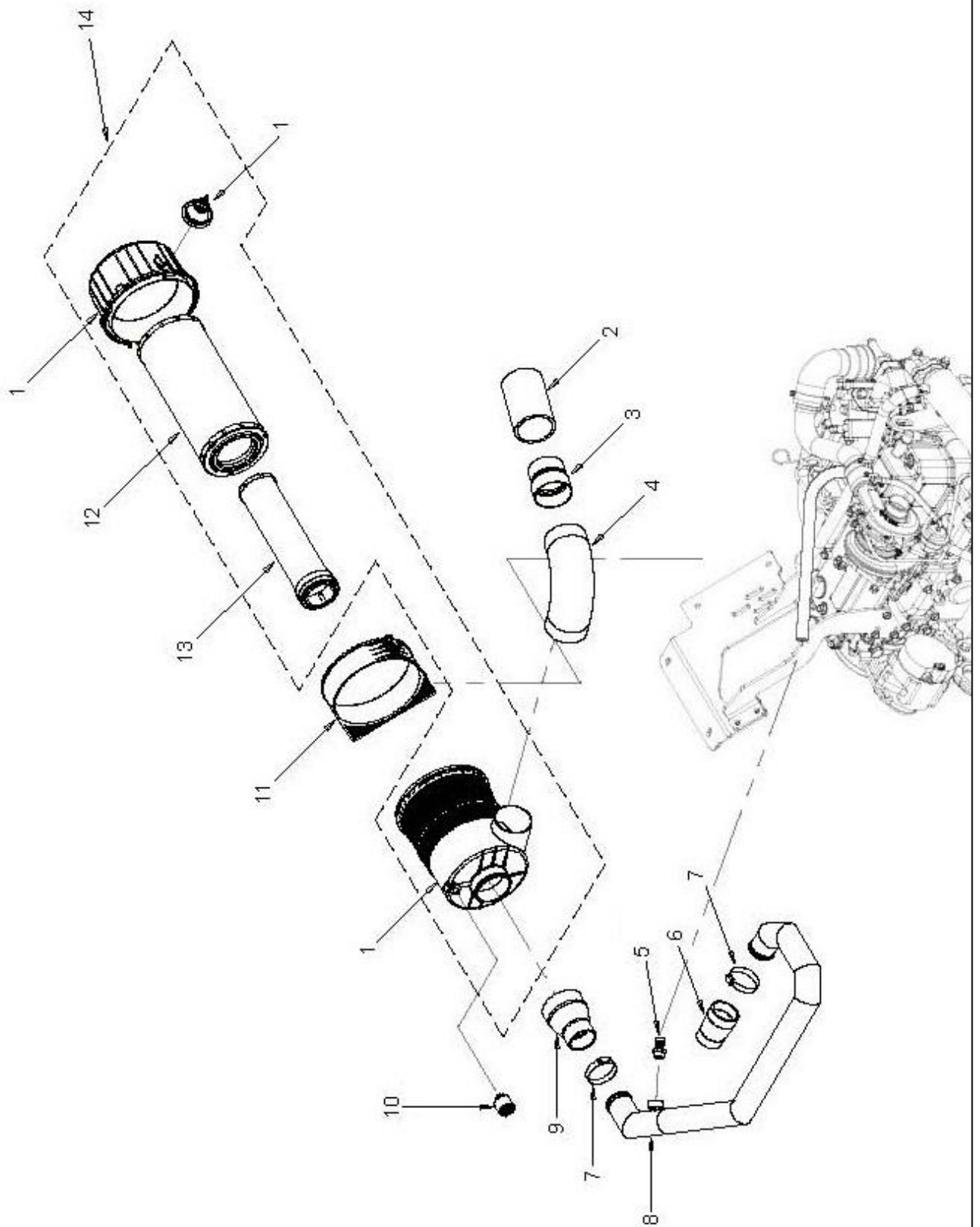
REF.	QTY.	PART No.	DESCRIPTION
			RADIATOR ASSEMBLY
1	3	4000112	BONNET FASTENER
2	1	4005089	RADIATOR SUPPORT (RIGHT)
3	1	4005090	RADIATOR SUPPORT (LEFT)
4	3	4001629	HINGE
5	8	4000076	LOCKNUT
6	24	4000385	WASHER
7	8	4005091	HEADLESS BOLT
8	1	4001630	PROTECTION GUARD
9	1	4005092	RADIATOR
10	2	4005093	BRACKET
11	30	4000758	WASHER
12	30	4000418	WASHER
13	6	9313045	BOLT
14	1	4005094	COVER PANEL
15	12	4000353	FLANGED HEAD SCREW
16	1	4005095	FIXING PLATE
17	6	4000865	LOCKNUT
18	2	4000084	ANTI-VIBRATION
19	2	4000389	SPACER
20	2	4005096	BOLT
21	2	4000380	FLANGED HEAD SCREW
22	4	4000430	FLANGED HEAD SCREW
23	1	4005016	BRACKET
24	1	4005017	BRACKET SPACER
25	1	4005097	EXPANSION TANK
26	1	4005098	MOUNT SUPPORT



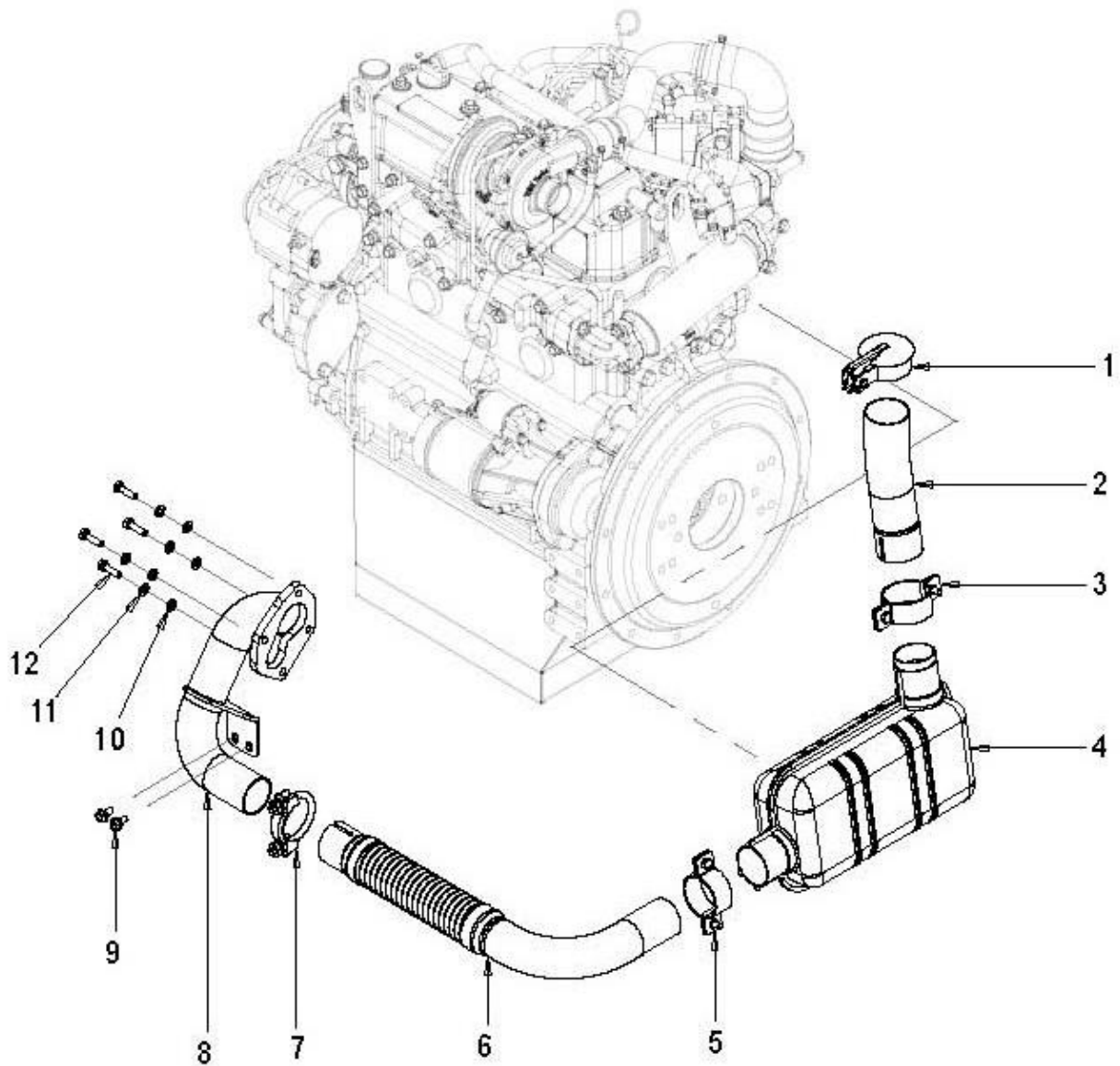
REF.	QTY.	PART No.	DESCRIPTION
			ENGINE SUPPORT ASSEMBLY
1	1	4005100	ENGINE
2	4	4005099	BOLT
3	4	4005038	WASHER
4	2	4000756	LOCKNUT
5	4	4000608	WASHER
6	2	4005108	ANTI-VIBRATION
7	2	4000083	ANTI-VIBRATION
8	24	4000758	WASHER
9	24	4000415	SPRING WASHER
10	24	4000210	SCREW
11	2	4005105	ANTI-VIBRATION
12	4	4001537	WASHER
13	4	4001191	LOCKNUT
14	2	4005106	BUSH
15	2	4005107	BOLT
16	1	4005101	ENGINE MOUNT BRACKET - REAR LH
17	1	4005102	ENGINE MOUNT BRACKET - REAR RH
18	1	4005103	ENGINE MOUNT BRACKET - FRONT LH
19	1	4005104	ENGINE MOUNT BRACKET - FRONT RH



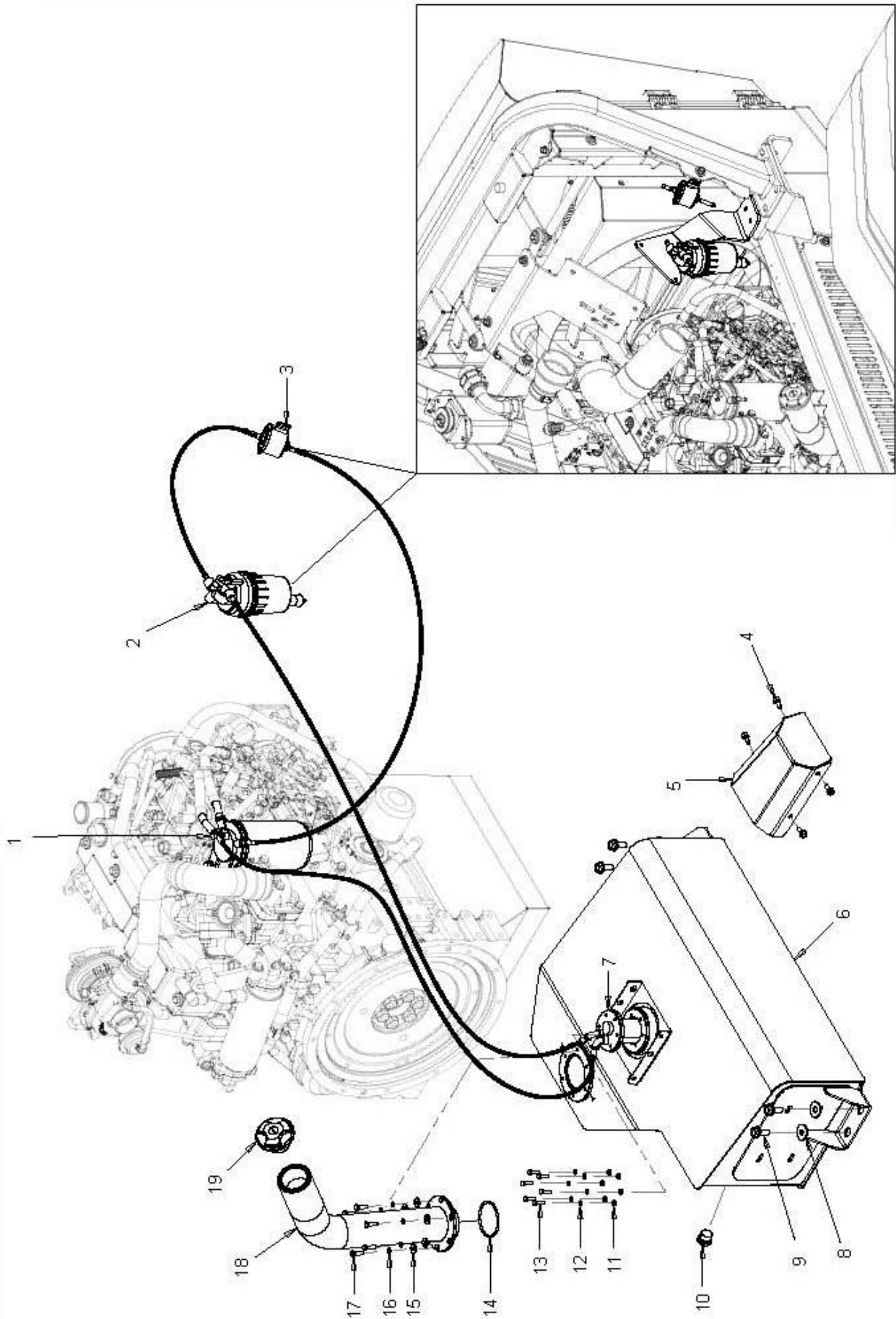
REF.	QTY.	PART No.	DESCRIPTION
			ENGINE COMPONENTS
1	1	4000427	COPPER WASHER
2	1	4000428	DRAIN PLUG
3	1	4005109	SUMP
4	1	4005110	SUCTION STRAINER
5	1	4001395	BELT
6	1	4005111	STARTER MOTOR
7	1	4005112	AUXILIARY PUMP
8	1	4005113	ALTERNATOR
9	1	4005114	OIL CAP
10	1	4005115	WATER TEMPERATURE SENSOR
11	1	4005116	DIPSTICK
12	1	4005117	WATER PUMP
13	1	4005118	OIL PRESSURE SENSOR
14	1	4005119	OIL FILTER
15	2	4005120	BOLT



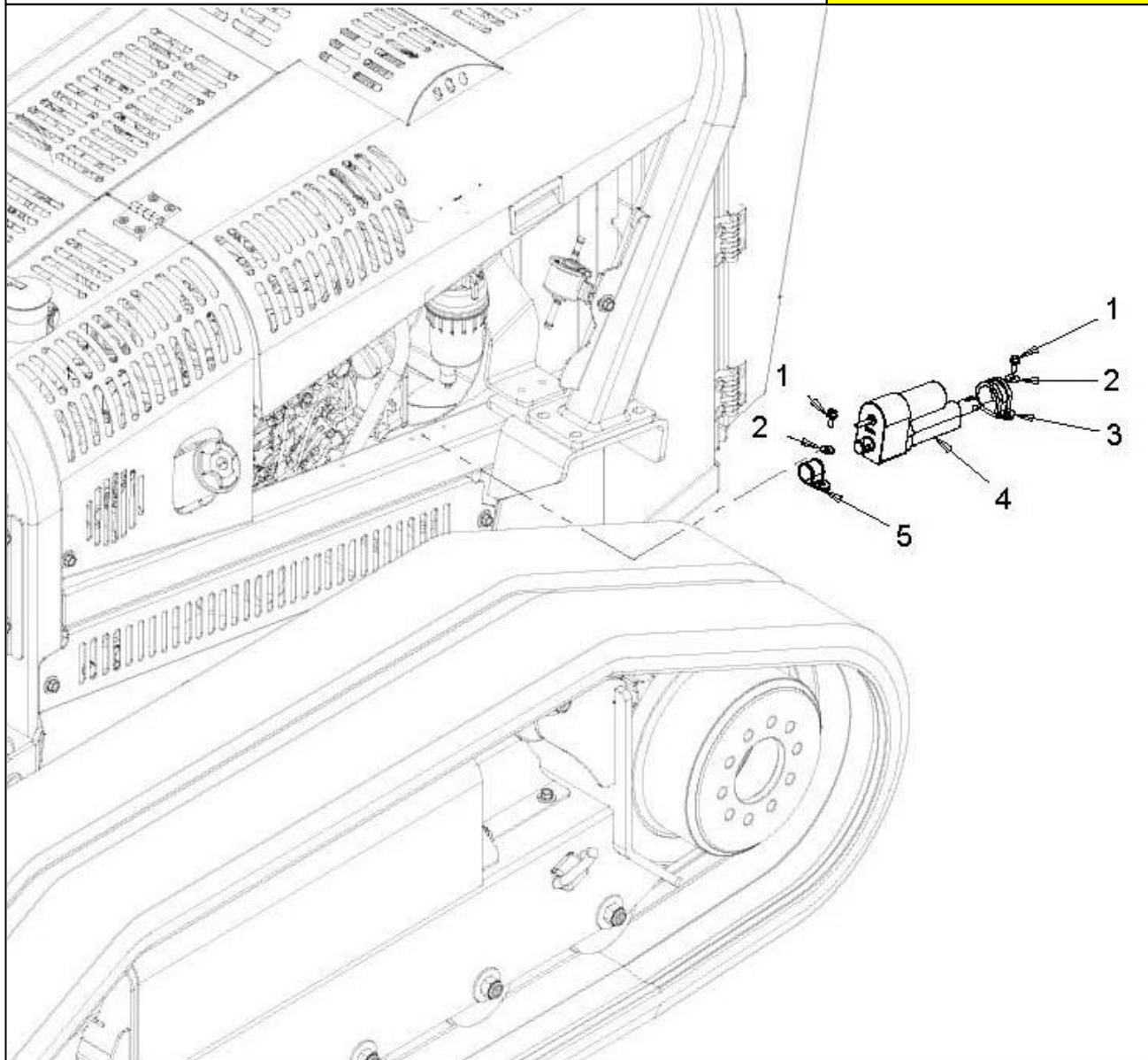
REF.	QTY.	PART No.	DESCRIPTION
			AIR FILTER ASSEMBLY
1	1	4005121	FILTER HOUSING
2	1	4005122	SLEEVE
3	1	4005123	SLEEVE
4	1	4005124	CURVED INTAKE HOSE
5	1	4005125	CONNECTOR
6	1	4005126	SLEEVE
7	2	4000397	HOSE CLIP
8	1	4005127	PIPE
9	1	4005128	PIPE CONNECTION
10	1	4000281	CLOGGING SENSOR
11	1	4005129	CLAMP
12	1	4005130	PRIMARY AIR FILTER
13	1	4005131	SECONDARY AIR FILTER
14	1	4005132	FILTER ASSEMBLY



REF.	QTY.	PART No.	DESCRIPTION
			EXHAUST SYSTEM ASSEMBLY
1	1	4005133	EXHAUST CAP
2	1	4005134	END PIPE
3	1	4005135	CLAMP
4	1	4005136	SILENCER
5	1	4005137	CLAMP
6	1	4005138	CENTRE PIPE
7	1	4005139	CLAMP
8	1	4005140	MANIFOLD
9	6	4000354	BOLT
10	4	4000078	WASHER
11	4	7315559	WASHER
12	4	4001527	BOLT



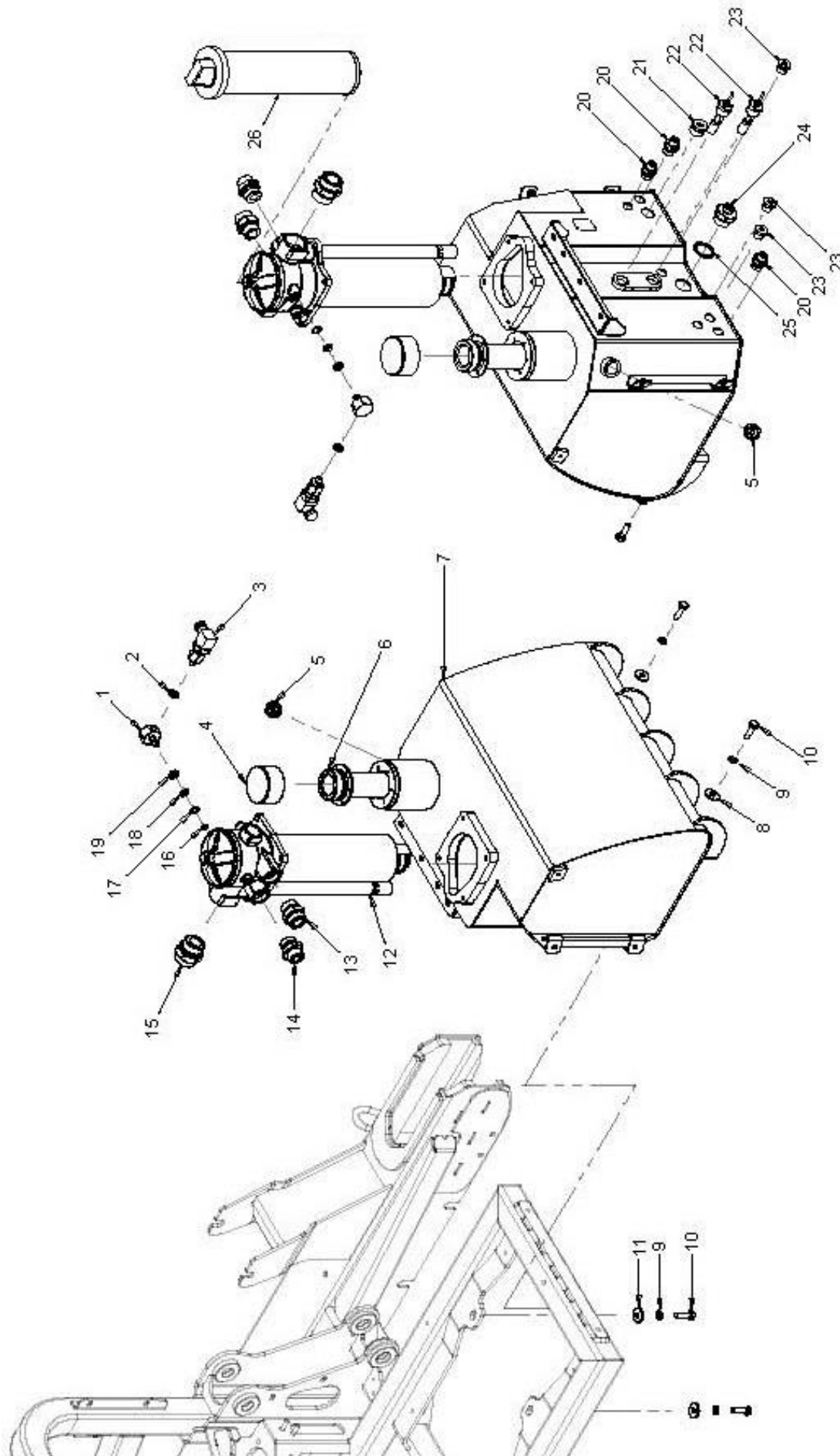
REF.	QTY.	PART No.	DESCRIPTION
			FUEL SYSTEM ASSEMBLY
1	1	4005142	FUEL FILTER
2	1	4005141	PRIMARY FUEL FILTER
3	1	4000126	FUEL PUMP
4	4	4000316	BOLT
5	1	4005143	CASING
6	1	4005144	FUEL TANK
7	1	4005145	FUEL SENSOR
8	4	4000608	WASHER
9	4	7315750	SETSCREW
10	1	4000127	DRAIN PLUG
11	6	4000827	WASHER
12	6	4000823	WASHER
13	6	4005146	SETSCREW
14	1	4005147	O-RING
15	6	4000114	WASHER
16	6	4000544	WASHER
17	6	4005148	SETSCREW
18	1	4005149	FILLER PIPE
19	1	4000474	FILLER CAP



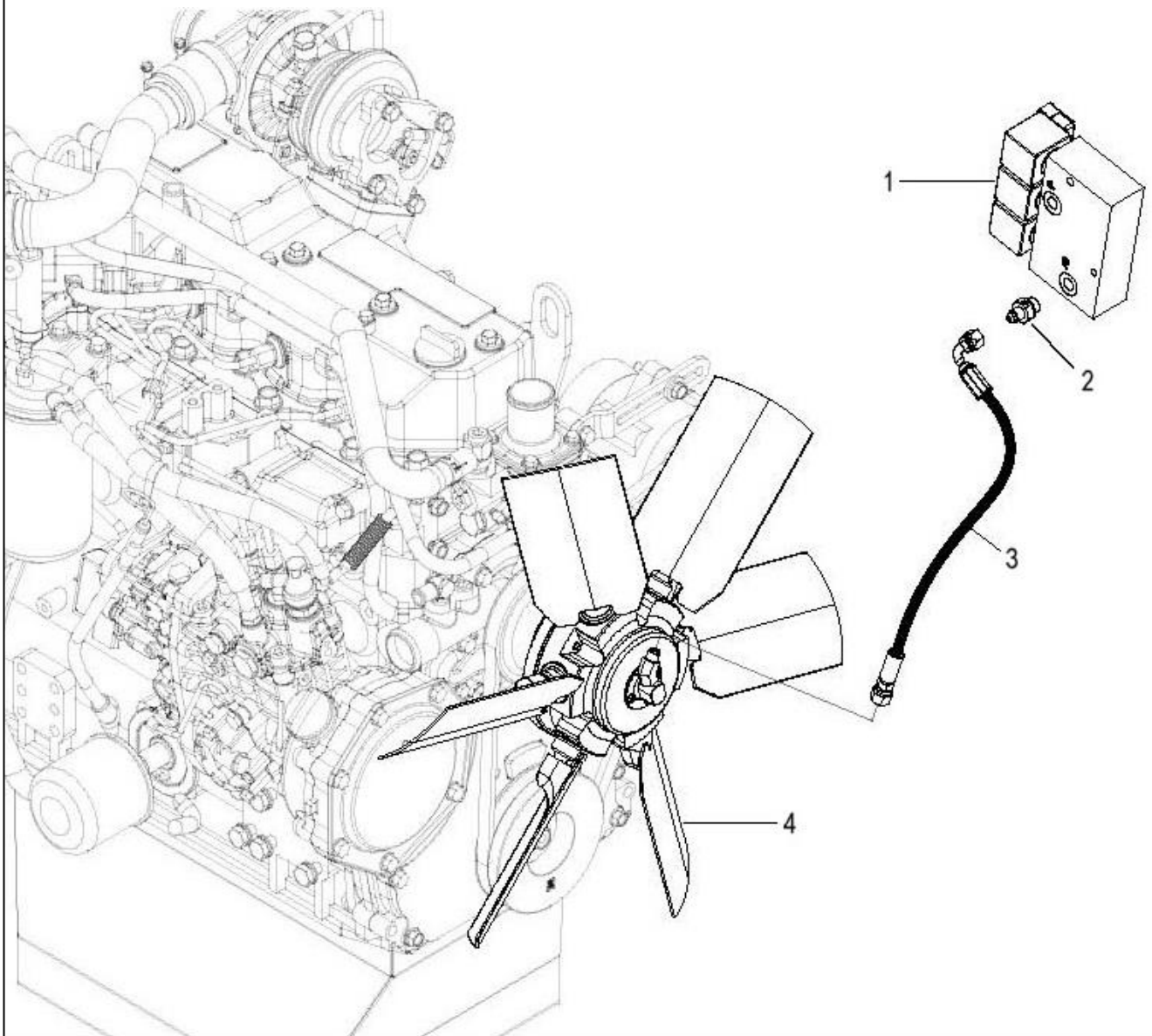
ACTUATOR ASSEMBLY**McCONNEL**

ROBOMAX

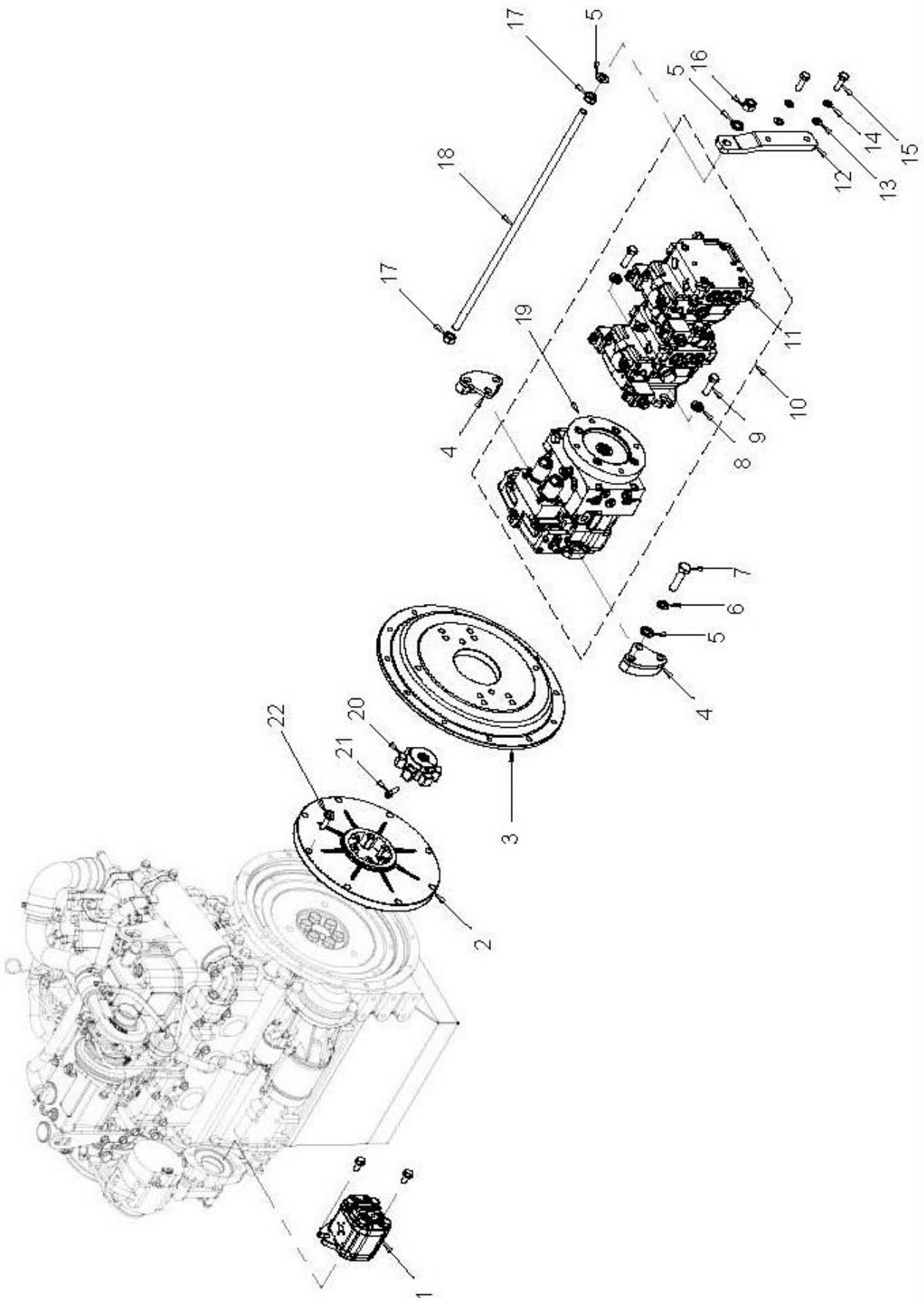
REF.	QTY.	PART No.	DESCRIPTION
			ACTUATOR ASSEMBLY
1	2	4000316	SETSCREW
2	2	4000321	WASHER
3	1	4005150	CLAMP
4	1	4005151	ACTUATOR
5	1	4005152	CLAMP



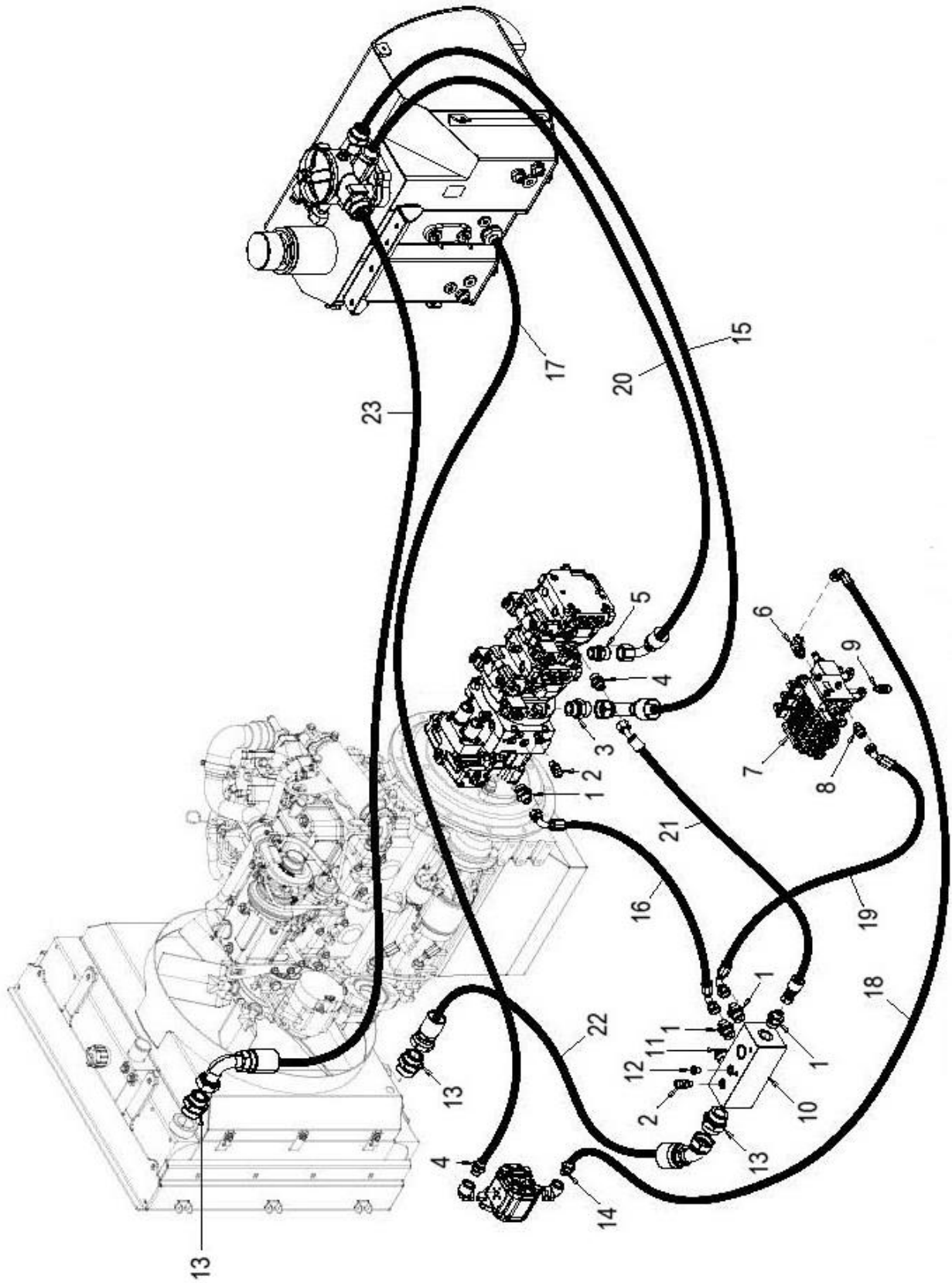
REF.	QTY.	PART No.	DESCRIPTION
			HYD. OIL TANK ASSEMBLY
1	1	4000475	SENSOR CONNECTOR
2	1	4000822	BONDED SEAL
3	1	4000476	CLOGGING SWITCH
4	1	7315589	FILLER CAP
5	1	4004035	OIL LEVEL WINDOW
6	1	7315589	FILLER CAP
7	1	4005153	OIL TANK
8	2	4000608	WASHER
9	4	4000415	WASHER
10	4	4004008	SETSCREW
11	2	4005154	WASHER
12	1	4005155	FILTER
13	1	4004031	ADAPTOR
14	1	4000542	ADAPTOR
15	1	7315766	ADAPTOR
16	1	4000820	O-RING
17	1	4000821	O-RING STOPPER
18	1	4000819	O-RING WASHER
19	1	4000818	NUT
20	3	7315775	ADAPTOR
21	1	4000864	PLUG
22	2	4000148	LEVEL SENSOR
23	3	4000127	PLUG
24	1	4005156	ADAPTOR
25	1	4005033	BONDED SEAL
26	1	4005157	FILTER CARTRIDGE



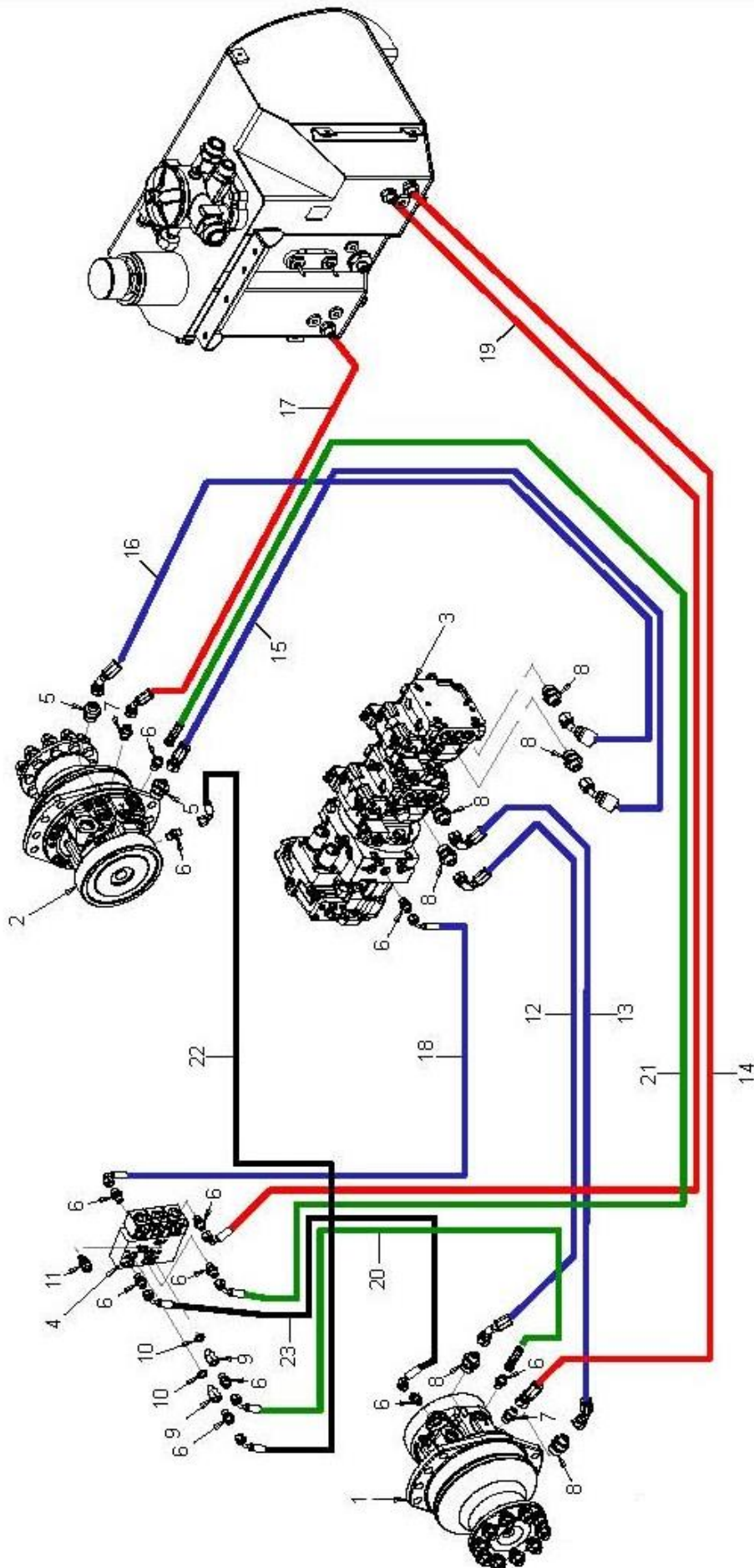
REF.	QTY.	PART No.	DESCRIPTION
			REVERSIBLE FAN CIRCUIT
1	1	4001546	VALVE BLOCK
2	1	4005158	ADAPTOR
3	1	4005159	HYDRAULIC HOSE
4	1	4005160	FAN



REF.	QTY.	PART No.	DESCRIPTION
			PUMPS ASSEMBLY
1	1	4005112	AUXILIARY PUMP
2	1	4005161	FLYWHEEL
3	1	4005162	ADAPTOR PLATE
4	2	4005163	PUMP CLAMP
5	8	4001536	WASHER
6	6	4001538	WASHER
7	6	4005164	BOLT
8	2	4001535	WASHER
9	2	4005165	BOLT
10	1	4005166	PUMPS ASSEMBLY
11	1	4005167	PUMP
12	1	4005168	BRACKET
13	2	4000758	WASHER
14	2	4000415	WASHER
15	2	4004008	SETSCREW
16	1	4000017	NUT
17	2	4005169	NUT
18	1	4005170	TIE ROD
19	1	4005171	PUMP
20	1	4005172	DRIVE HUB
21	1	4005173	BOLT
22	8	4005174	BOLT

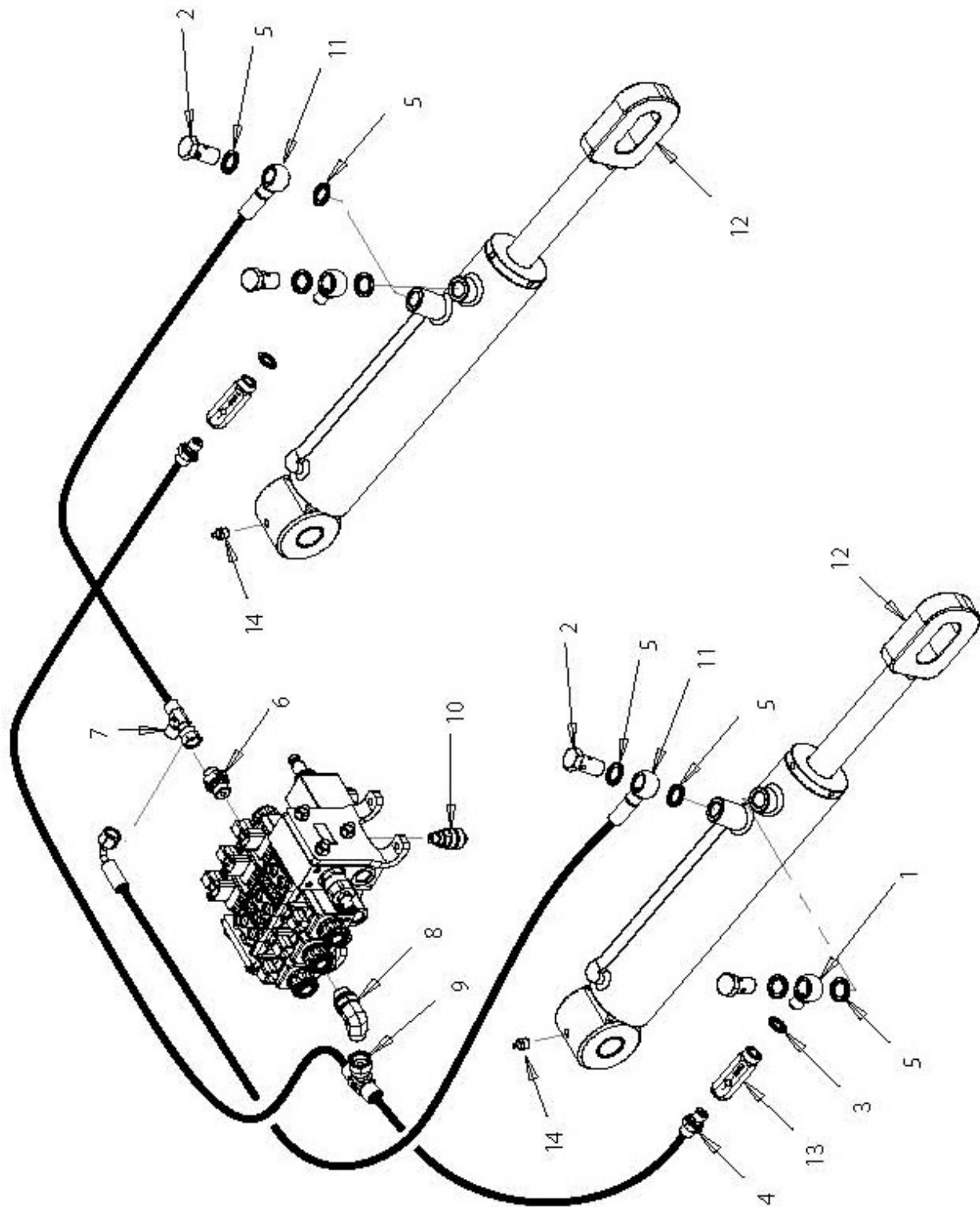


REF.	QTY.	PART No.	DESCRIPTION
			INTAKE & DRAIN PUMPS
1	4	4000748	CONNECTORCHECK VALVE
2	3	7315769	CHECK VALVE
3	1	4004031	ADAPTOR
4	2	7315797	CONNECTOR
5	1	7315774	CONNECTOR
6	1	4005175	ELBOW ADAPTOR
7	1	4000553	VALVE BLOCK
8	2	7315777	CONNECTOR
9	1	4000546	CHECK VALVE
10	1	4005176	VALVE BLOCK
11	1	4000864	PLUG
12	1	4000872	PLUG
13	3	7315766	CONNECTOR
14	1	7315775	CONNECTOR
15	1	4005177	HYDRAULIC HOSE
16	1	4005178	HYDRAULIC HOSE
17	1	4005179	HYDRAULIC HOSE
18	1	4005180	HYDRAULIC HOSE
19	1	4005181	HYDRAULIC HOSE
20	1	4005182	HYDRAULIC HOSE
21	1	4005183	HYDRAULIC HOSE
22	1	4005184	HYDRAULIC HOSE
23	1	4005185	HYDRAULIC HOSE

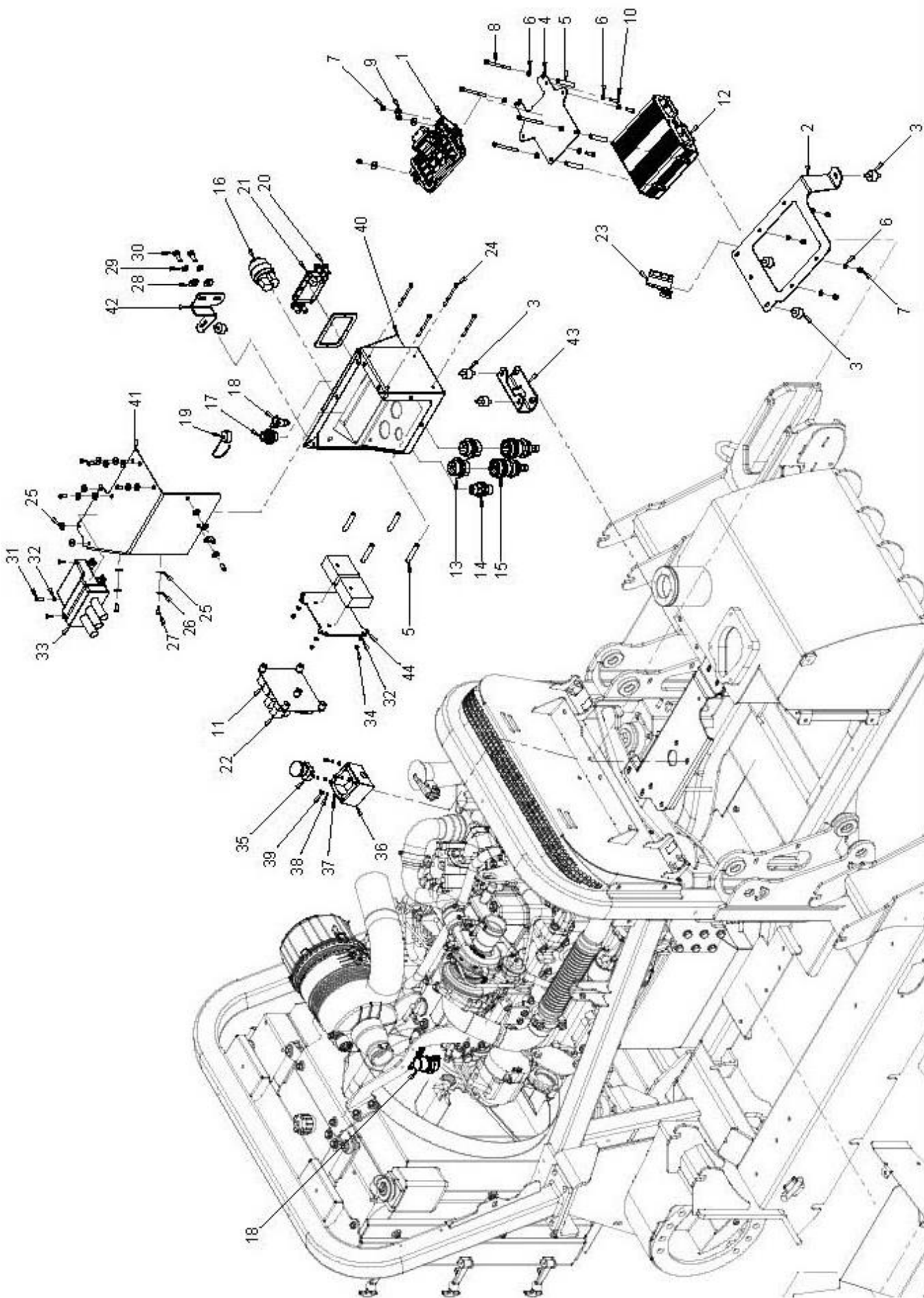


REF.	QTY.	PART No.	DESCRIPTION
			TRACKS HYDRAULIC CIRCUIT
1	1	4005003	TRACK RH DRIVE MOTOR
2	1	4005002	TRACK LH DRIVE MOTOR
3	1	4005166	PUMPS ASSEMBLY
4	1	4005146	VALVE BLOCK
5	2	4005186	ADAPTOR
6	11	4000579	ADAPTOR
7	2	7315777	ADAPTOR
8	6	4000748	ADAPTOR
9	2	4000581	SPACER CONNECTION
10	2	4000822	BONDED SEAL
11	1	4000546	CHECK COUPLING
12	1	4005187	HYDRAULIC HOSE
13	1	4005188	HYDRAULIC HOSE
14	1	4005189	HYDRAULIC HOSE
15	1	4005190	HYDRAULIC HOSE
16	1	4005191	HYDRAULIC HOSE
17	1	4005192	HYDRAULIC HOSE
18	1	4005193	HYDRAULIC HOSE
19	1	4005159	HYDRAULIC HOSE
20	1	4005194	HYDRAULIC HOSE
21	1	4005195	HYDRAULIC HOSE
22	1	4005196	HYDRAULIC HOSE
23	1	4005197	HYDRAULIC HOSE

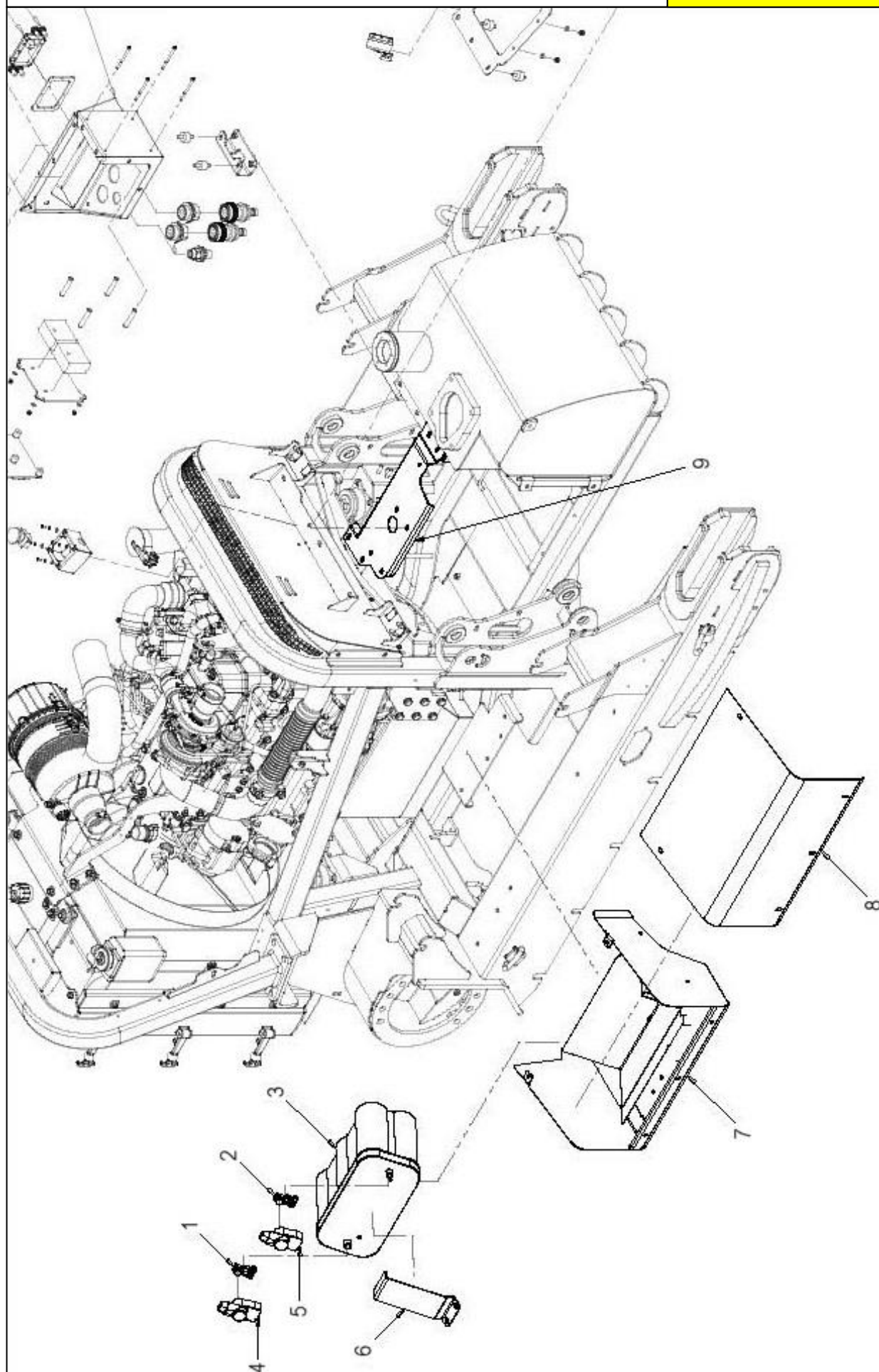
REF.	QTY.	PART No.	DESCRIPTION
			HYD. EQUIPMENT CIRCUIT
1	1	4005198	HYDRAULIC HOSE
2	1	4005199	HYDRAULIC HOSE
3	1	4000748	ADAPTOR
4	1	4000872	PLUG
5	2	7315769	CHECK VALVE
6	1	4000864	PLUG
7	1	4005176	VALVE BLOCK
8	1	7315774	ADAPTOR
9	1	7316041	ELBOW ADAPTOR
10	4	7315777	ADAPTOR
11	1	4000553	VALVE BLOCK
12	1	4005200	HYDRAULIC HOSE
13	1	4005201	HYDRAULIC HOSE
14	1	4005202	HYDRAULIC HOSE
15	1	4005203	HYDRAULIC HOSE
16	1	4005204	HYDRAULIC HOSE
17	1	4005205	HYDRAULIC HOSE
18	1	4005206	HYDRAULIC HOSE



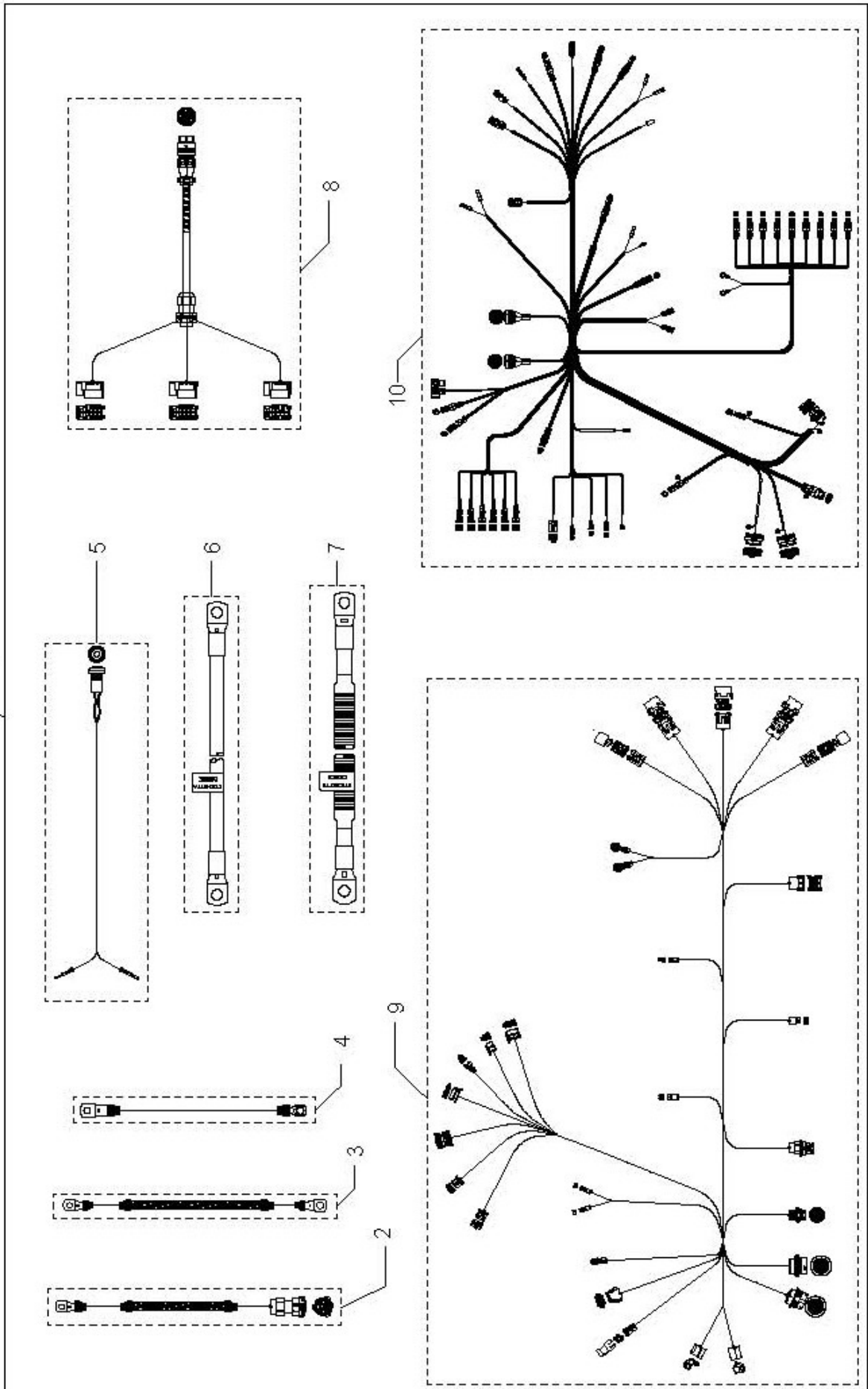
REF.	QTY.	PART No.	DESCRIPTION
			HYDRAULIC RAMS CIRCUIT
1	2	4005207	BANJO FITTING
2	4	4005208	BANJO BOLT
3	2	4000822	BONDED SEAL
4	2	4000579	CONNECTOR
5	8	7315818	BONDED SEAL
6	1	4000587	CONNECTOR
7	1	4000588	TEE CONNECTOR
8	1	4005175	ELBOW ADAPTOR
9	1	4005209	TEE CONNECTOR
10	1	4000546	CHECK COUPLING
11	2	4005210	BANJO FITTING
12	2	4005024	HYDRAULIC RAM
13	2	4005211	CONNECTOR
14	2	4000224	GREASER



REF.	QTY.	PART No.	DESCRIPTION
			ELECTRICAL SYSTEM
1	1	4005212	CONTROL UNIT
2	1	4005213	BRACKET
3	6	4000119	ANTI-VIBRATION
4	1	4005214	SUPPORT PLATE
5	8	4000836	DISTANCE PIECE
6	11	4000789	WASHER
7	7	4000791	LOCKNUT
8	4	7315874	SETSCREW
9	3	4000321	WASHER
10	3	4005215	BOLT
11	1	4005216	RELAY
12	1	4000829	CONTROL UNIT
13	2	7316055	23-WAY CONNECTOR (F)
14	1	4005217	CONNECTOR
15	2	7316063	23-WAY CONNECTOR (M)
16	1	4000145	IGNITION SWITCH
17	1	4000308	CONNECTOR (F)
18	1	4000307	OUTLET PLUG
19	1	4005218	PLUG
20	4	4000838	SWITCH
21	1	4000830	DISPLAY
22	1	4005219	CIRCUIT BOARD
23	1	4005220	BUZZER
24	4	4005221	SETSCREW
25	11	4000115	RUBBER WASHER
26	8	4000114	WASHER
27	8	4005222	SETSCREW
28	2	4000385	WASHER
29	2	7315559	WASHER
30	2	4005223	BOLT
31	3	4005224	BOLT
32	7	4000827	WASHER
33	1	4005225	RECEIVER UNIT
34	4	4001229	LOCKNUT
35	1	4000306	EMERGENCY SWITCH
36	1	4005226	SWITCH BOX
37	4	4000798	WASHER
38	4	4000113	SPRING WASHER
39	4	4005227	SCREW
40	1	4005228	ENCLOSURE
41	1	4005229	ENCLOSURE COVER
42	1	4005230	BRACKET
43	1	4005231	SUPPORT
44	1	4005232	MOUNTING PLATE



REF.	QTY.	PART No.	DESCRIPTION
			BATTERY MODULE
1	1	4005233	TERMINAL CLAMP
2	1	4005234	TERMINAL CLAMP
3	1	4005235	BATTERY
4	1	4005236	TERMINAL COVER
5	1	4005237	TERMINAL COVER
6	1	4005238	BRACKET
7	1	4005239	BATTERY HOUSING
8	1	4005240	BATTERY COVER PANEL
9	1	4005241	SUPPORT BRACKET



REF.	QTY.	PART No.	DESCRIPTION
			WIRING LOOMS
1	1	4005242	WIRING LOOM KIT
2	1	4005243	ELECTRICAL CABLE
3	1	4005244	ELECTRICAL CABLE
4	1	4005245	ELECTRICAL CABLE
5	1	4005246	SWITCH WIRING
6	1	4005247	ELECTRICAL CABLE
7	1	4005248	ELECTRICAL CABLE
8	1	4005249	WIRING LOOM
9	1	4005250	WIRING LOOM
10	1	4005251	WIRING LOOM



McConnel Limited, Temeside Works, Ludlow, Shropshire SY8 1JL. England.
Telephone: 01584 873131. Facsimile: 01584 876463. www.mcconnel.com