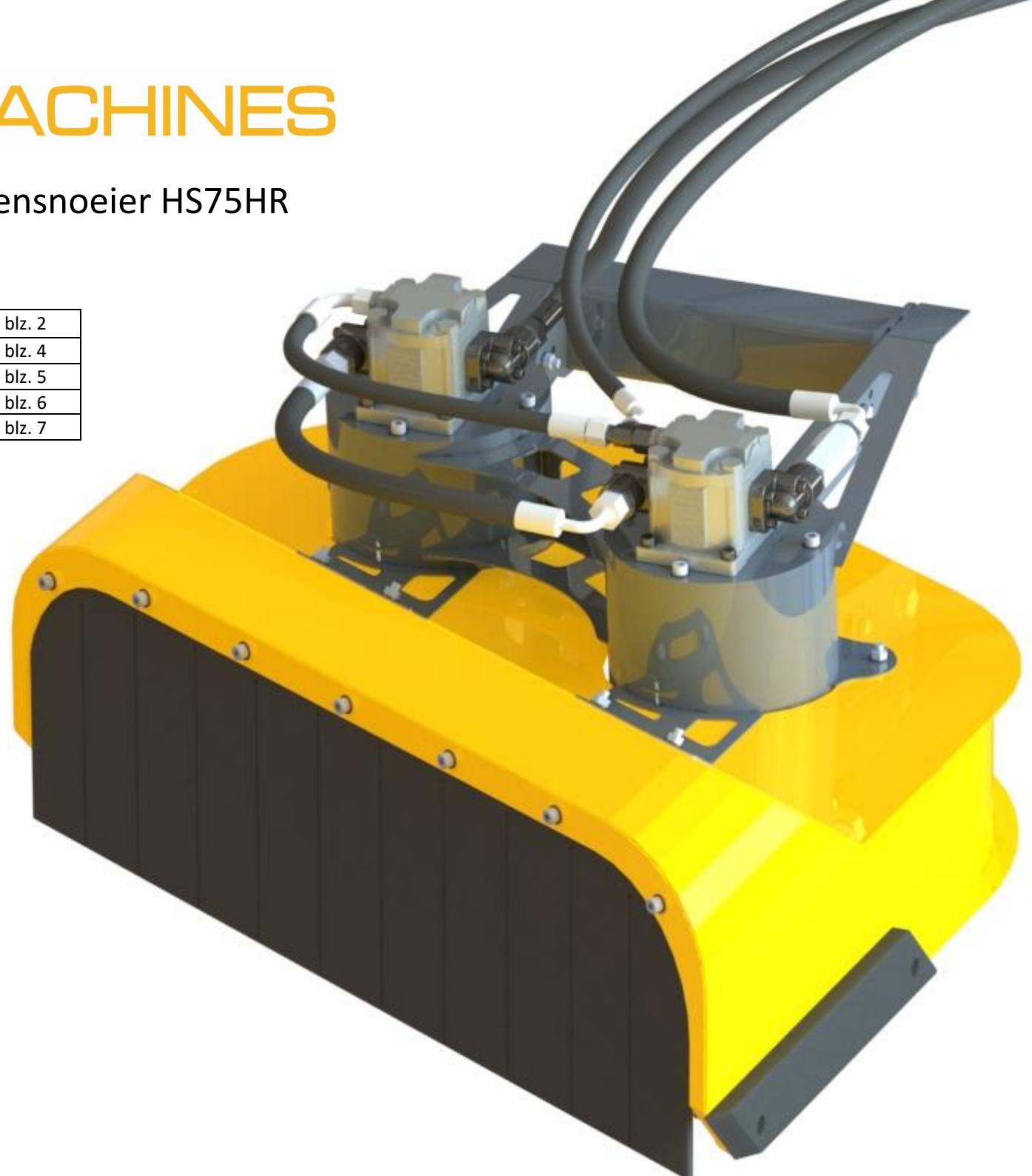


Onderdelenlijst Becx Heggensnoeier HS75HR

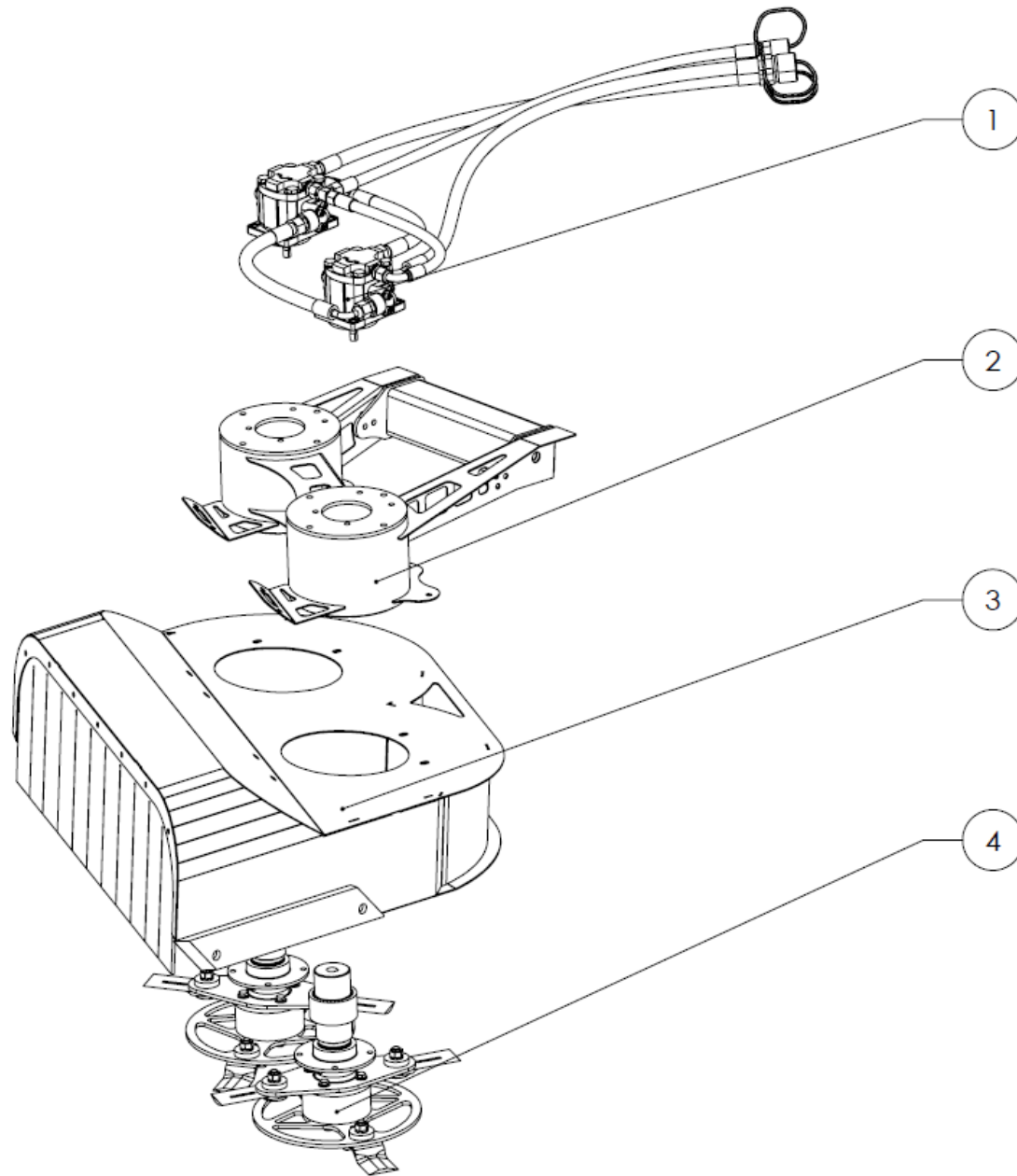
Versie; 02-12-'16

| | | |
|--------------------|-------------------|--------|
| Compleet overzicht | Complete overview | blz. 2 |
| Hydraulica | Hydraulics | blz. 4 |
| Frame | Frame | blz. 5 |
| Kap | Body | blz. 6 |
| Messenkop | Cutting unit | blz. 7 |

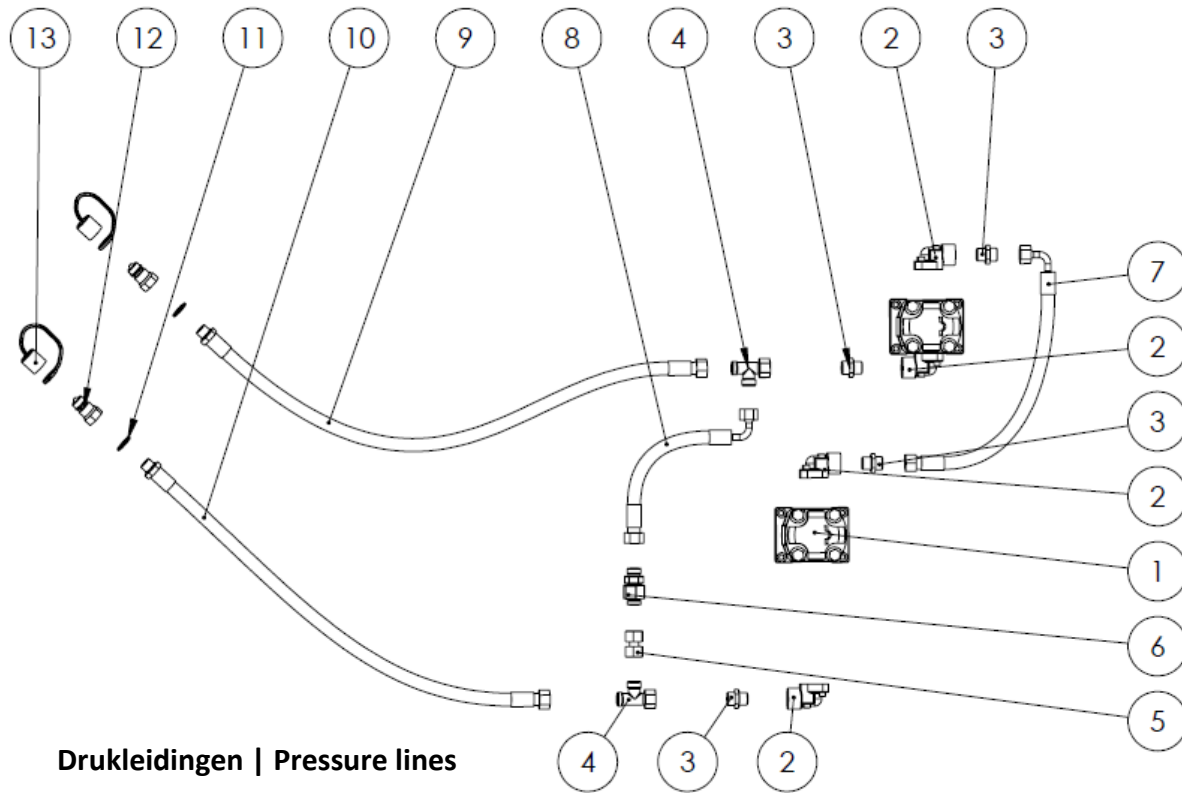


Becx Machines
Becx Tuinmachines Moergestel B.V.
De Sonman 35
5066 GJ Moergestel
+31 (0)13 - 513 1140
info@becxmachines.com
<http://www.becxmachines.com>

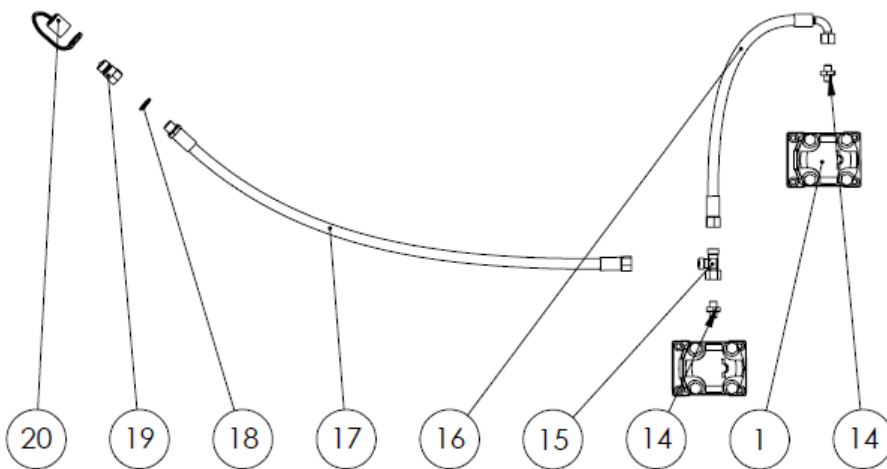
HS75HR | Compleet | Complete



| # | Aantal / Number | Artikelcode | Omschrijving | Description |
|---|-----------------|-------------|--------------|-----------------|
| 1 | 1 | | Hydraulica | Hydraulics |
| 2 | 1 | | Frame | Frame |
| 3 | 1 | | Beschermkap | Protectioncover |
| 4 | 3 | | Messenkoppen | Cutting-units |

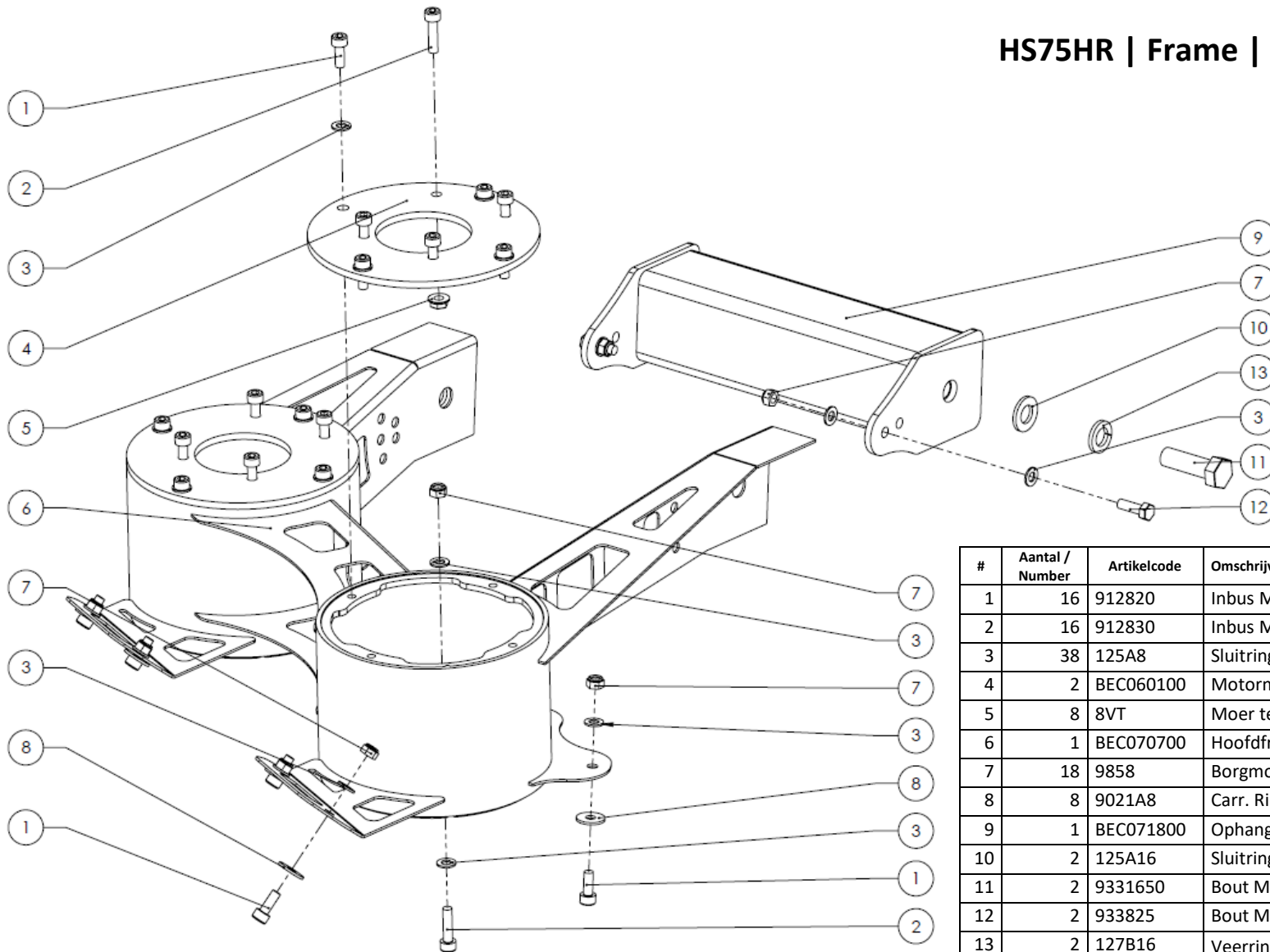


Lekleidingen | Leaklines



| # | aantal | Artikelcode | Omschrijving | Description |
|----|--------|-------------|---------------------|---------------------|
| 1 | 2 | BEC011209 | Hydro motor 8CC | Hydro motor 8CC |
| 2 | 4 | BEC011101 | RR35X12HA | RR35X12HA |
| 3 | 4 | BEC012200 | GE-15LRDE-1/2-BO | GE-15LRDE-1/2-BO |
| 4 | 2 | BEC405900 | EVL-15L-BO | EVL-15L-BO |
| 5 | 1 | BEC405800 | GVO-15L-15L | GVO-15L-15L |
| 6 | 1 | BEC083200 | Terugslagklep | Checkvalve |
| 7 | 1 | BEC010900 | Slang 1 HS75HR | Hose 1 HS75HR |
| 8 | 1 | BEC091200 | Slang 2 HS75HR | Hose 2 HS75HR |
| 9 | 1 | BEC015300 | Retourslang HS75HR | Returnhose HS75HR |
| 10 | 1 | BEC091300 | Perssling HS75HR | Pressurehose HS75HR |
| 11 | 2 | BEC170800 | 1071-1-2 | 1071-1-2 |
| 12 | 2 | BEC013000 | NV-12GAS-M | NV-12GAS-M |
| 13 | 2 | BEC013300 | TF-12 Blauw | TF-12 Blue |
| 14 | 2 | BEC172600 | GE-12LMDE-12-BO | GE-12LMDE-12-BO |
| 15 | 1 | BEC066100 | EVL-12L-BO | EVL-12L-BO |
| 16 | 1 | BEC091400 | Lekleiding 1 HS75HR | Leakline 1 HS75HR |
| 17 | 1 | BEC091500 | Lekleiding 2 HS75HR | Leakline 2 HS75HR |
| 18 | 1 | BEC170700 | 1071-3-8 | 1071-3-8 |
| 19 | 1 | BEC013100 | NV-38GAS-M | NV-38GAS-M |
| 20 | 1 | BEC013400 | TF-38 Blauw | TF-38 Blue |

HS75HR | Frame | Frame

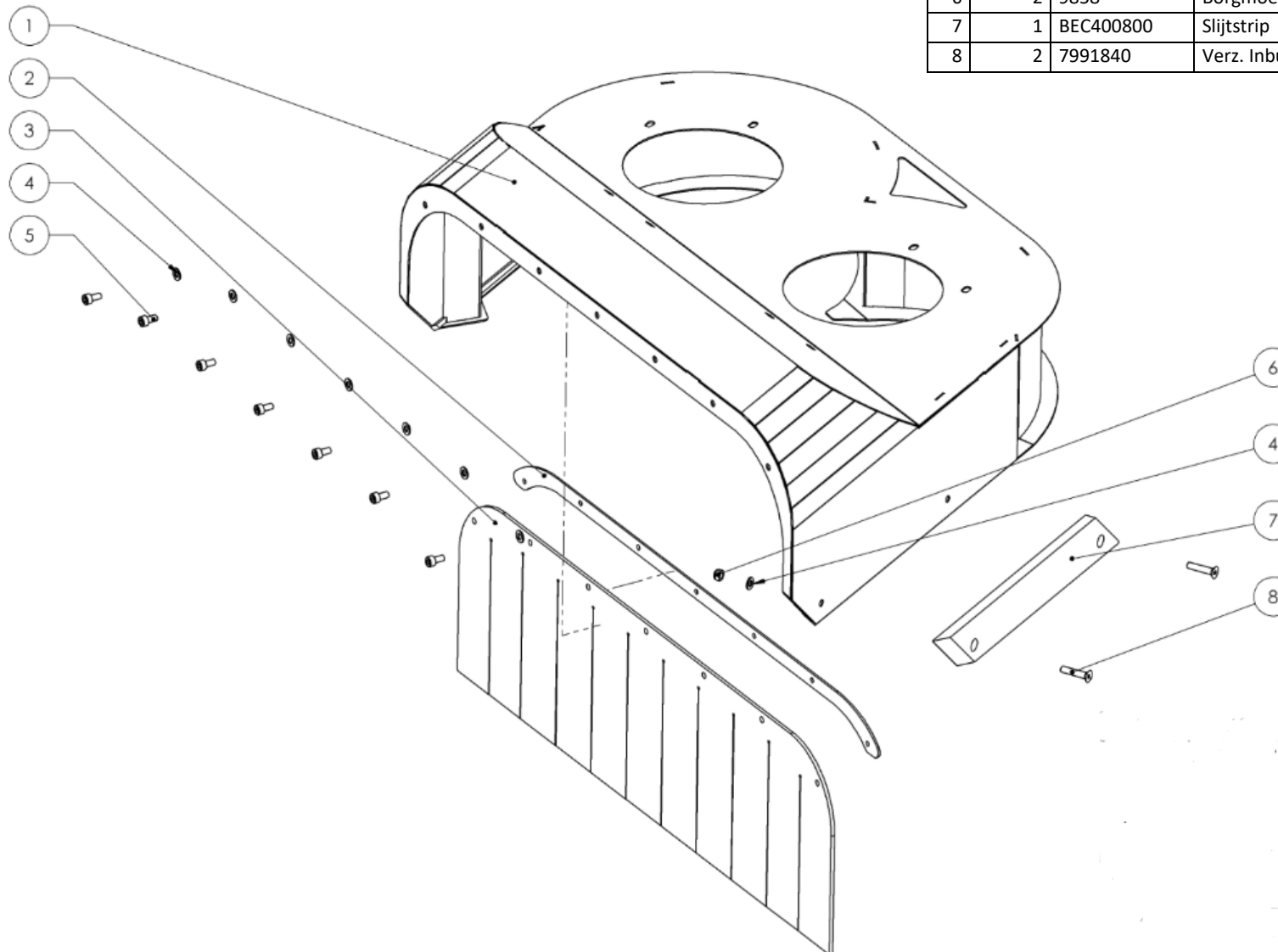


| # | Aantal / Number | Artikelcode | Omschrijving | Description |
|----|--------------------|-------------|-------------------|--------------------|
| 1 | 16 | 912820 | Inbus M8x20 8.8 | Socket M8x20 8.8 |
| 2 | 16 | 912830 | Inbus M8x30 8.8 | Socket M8x30 8.8 |
| 3 | 38 | 125A8 | Sluitring M8 | Washer M8 |
| 4 | 2 | BEC060100 | Motormontageplaat | Motormountingplate |
| 5 | 8 | 8VT | Moer tensilock M8 | Nut tensilock M8 |
| 6 | 1 | BEC070700 | Hoofdframe | Mainframe |
| 7 | 18 | 9858 | Borgmoer M8 | Locknut M8 |
| 8 | 8 | 9021A8 | Carr. Ring M8 | Body ring M8 |
| 9 | 1 | BEC071800 | Ophangkoker | Mounting beam |
| 10 | 2 | 125A16 | Sluitring M16 | Washer M16 |
| 11 | 2 | 9331650 | Bout M16x50 8.8 | Bolt M16x50 8.8 |
| 12 | 2 | 933825 | Bout M8x25 8.8 | Bolt M8x25 8.8 |
| 13 | 2 | 127B16 | Veerring M16 | Spring washer M16 |

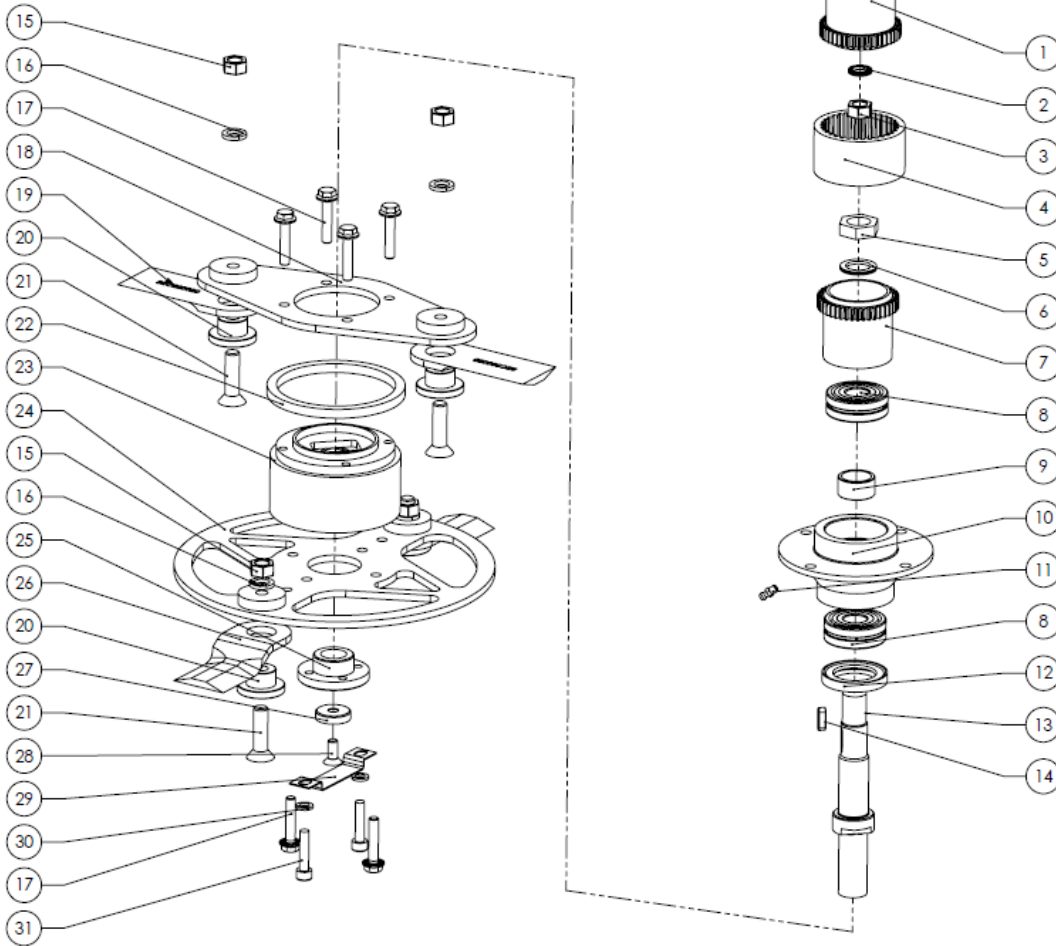
HS75HR | Beschermkap | Body

| # | Aantal / number | Artikelcode | Omschrijving | Description |
|----|-----------------|-------------|---------------------------|------------------------|
| 9 | 1 | BEC231200 | Sticker max 24 L | Sticker max 24 L |
| 10 | 1 | BEC231300 | Sticker max 3000 RPM | Sticker max 3000 RPM |
| 11 | 1 | BEC231400 | Sticker Becx Logo | Sticker Becx Logo |
| 12 | 1 | BEC031500 | Sticker handleiding | Sticker manual |
| 13 | 2 | BEC031600 | Sticker waarsch. Snijden. | Sticker cutting-danger |

| # | Aantal / number | Artikelcode | Omschrijving | Description |
|---|-----------------|-------------|-----------------------|------------------------|
| 1 | 1 | BEC070800 | Beschermkap | Safety-body |
| 2 | 1 | BEC071000 | Lamellenstrip | Fin-mounting-strip |
| 3 | 1 | BEC071100 | Lamellen | Fins |
| 4 | 9 | 125A8 | Sluitring M8 | Washer M8 |
| 5 | 7 | 912816 | Inbus M8x16 8.8 | Socket M8x16 8.8 |
| 6 | 2 | 9858 | Borgmoer M8 | Nut M8 |
| 7 | 1 | BEC400800 | Slijtstrip | Anti-wear |
| 8 | 2 | 7991840 | Verz. Inbusbout M8x50 | Counters. Socket M8x50 |



HS75HR | Messenkop | Cutting unit



| # | Aantal / Number | Artikelcode | Beschrijving | Description |
|----|-----------------|-------------|------------------------|---------------------------|
| 1 | 1 (2) | BEC040230 | Motorverbindingset p1 | Motorconnection set p1 |
| 2 | 1 (2) | NL12GEL | Nordlocking M12 | Nordlocking M12 |
| 3 | 1 (2) | 9341215B | Moer M12 x 1,5 | Nut M12 x 1,5 |
| 4 | 1 (2) | BEC042300 | Kunststof beveiliging | Nylon overload-prot. |
| 5 | 1 (2) | BEC072500 | Moer M20 x 1,5 | Nut M20 x 1,5 |
| 6 | 1 (2) | BEC072400 | Nordlocking M20 | Nordlocking M20 |
| 7 | 1 (2) | BEC040240 | Motorverbindingset p2 | Motorverbindingset p2 |
| 8 | 2 (4) | 22205E1 | Lager D52 d25 B18 | Bearing D52 d25 B18 |
| 9 | 1 (2) | BEC071600 | Afstandbus lager | Bearing spacer |
| 10 | 1 (2) | BEC071700 | Lagerhuis | Bearing housing |
| 11 | 1(2) | BEC040600 | Smeernippel M6 | Grease nipple |
| 12 | 1 (2) | BEC072100 | Keerring | Seal |
| 13 | 1 (2) | BEC071300 | As | Shaft |
| 14 | 1 (2) | 68856620 | Spie | Key |
| 15 | 4 (8) | 127B12 | Veerring M12 | Spring washer M12 |
| 16 | 4 (8) | 93412 | Moer M12 | Nut M12 |
| 17 | 6 (12) | 840VT | Tensilock bout M8 x 40 | Tensilock Bolt M8 x 40 |
| 18 | 1 (2) | BEC071900 | Messchijf boven | Upper blade mounting disc |
| 19 | 2 (4) | BEC380020 | Bovenmes | Upper blade |
| 20 | 4 (8) | BEC090400 | Mesbus | Bladebushing |
| 21 | 4 (8) | BEC090500 | Mesbout | Knife-bolt |
| 22 | 1 (2) | BEC072200 | Beschermring | Protection ring |
| 23 | 1 (2) | BEC071200 | Alu klos messchijf | Aluminium hub |
| 24 | 1 (2) | BEC072000 | Messchijf onder | Lower blade mounting disc |
| 25 | 1 (2) | BEC071400 | Flensmoer | Flange-nut |
| 26 | 2 (4) | BEC380010 | Ondermes | Lower blade |
| 27 | 1 (2) | BEC071500 | Borgring | Retaining ring |
| 28 | 1 (2) | 7991820 | Verz. Inbusbout M8x20 | Counters. Socket M8x20 |
| 29 | 1 (2) | BEC072300 | Borgplaat | Retaining plate M8 |
| 30 | 2 (4) | 125A8 | Sluitring M8 | Washer M8 |
| 31 | 2 (4) | 912835 | Inbus M8 x 35 | Socket head M8 x 35 |

Eén HS75HR bevat twee messenkoppen zoals hier afgebeeld.
One HS75HR contains two cutting units as shown here.