

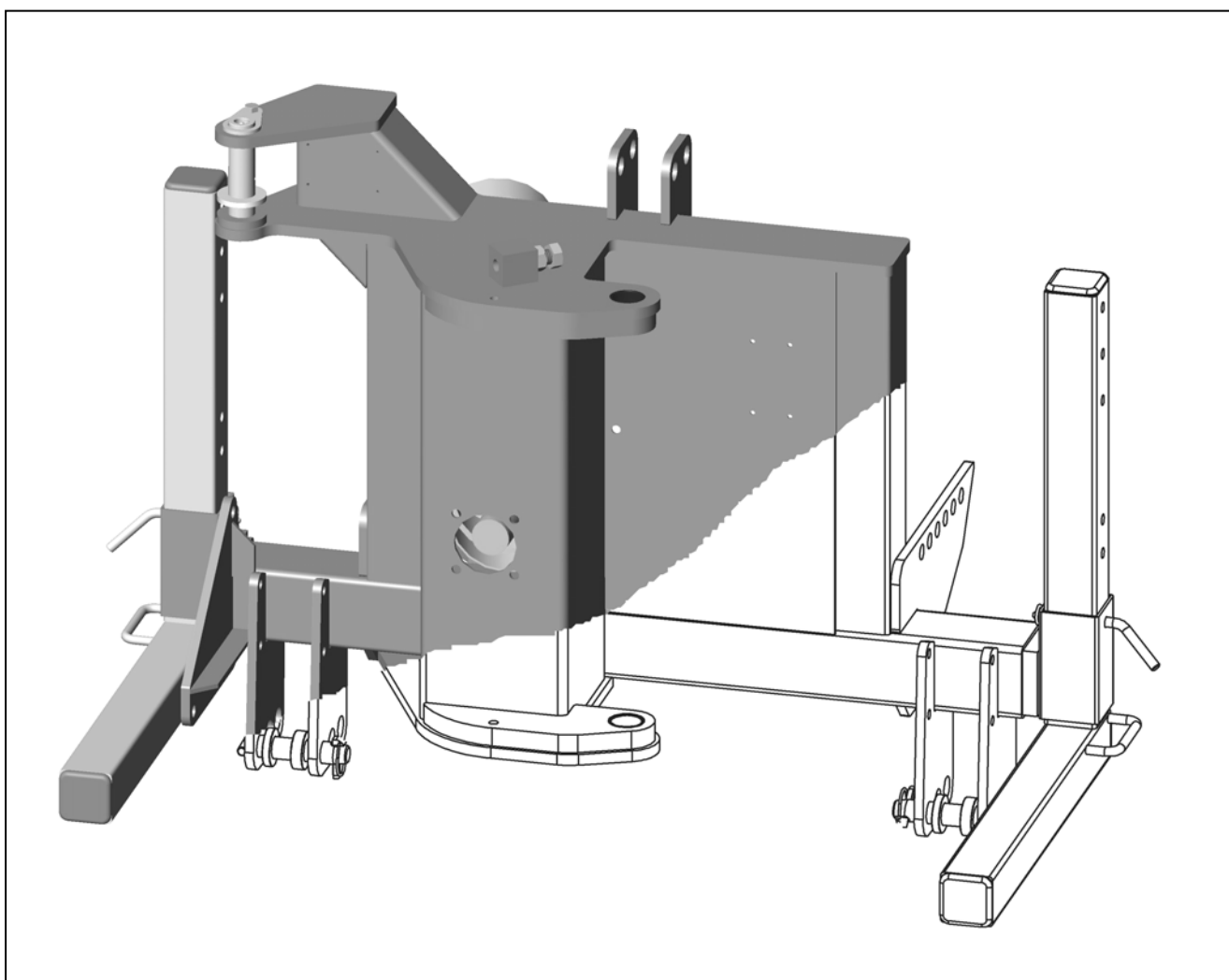
Publication 473
February 2005
Part No. 41570.73
Revision: 14.07.08



Power Arm *Eco 50 & 55*

HEDGE & GRASS CUTTER

Parts Manual





McCONEl LIMITED

**Temeside Works
Ludlow
Shropshire
England**

**Telephone: 01584 873131
www.mccommel.com**

For best performance...

USE ONLY McCONNEL SERVICE PARTS

*To be assured of the latest design improvements purchase your
'Genuine Replacements' from the Original Equipment Manufacturer:*

McCONNEL LIMITED

through your local Dealer or Stockist.

Always quote:

- **Machine Type**
- **Serial Number**
- **Part Number**

*Design Improvements may have altered some of the parts listed in this manual –
The latest part will always be supplied when it is interchangeable with an earlier one.*

LIST OF CONTENTS

Page No.

Main Frame Components

Stabiliser Assembly	1
Main Frame Assembly	3
Pillar Assembly	5
Main Arm Assembly	7
Dipper Arm Assembly	9
Hydraulic Tank Assembly & Tank Fittings	11

Pump & Gearbox

TI Pump & Gearbox Assembly	13
Gearbox Assembly	15

Control Valves

Cable Control Valve Assembly	17
XTC Proportional Control Valve Assembly	19
XTC Proportional Control Unit	21
Cable Rotor Control Valve Assembly	23
Electric Rotor Control Valve Assembly	25

Hydraulic Hoses

ACV Hose Installation	27
Machine Hose Installation	29

Hydraulic Rams

Angling Ram Assembly	31
Lift Ram Assembly	32
Reach Ram Assembly	33
Slew Ram Assembly	34

Lift Float

Lift Float Kit – <i>Optional Extra</i>	35
--	----

Control Mounting

Cable Control Unit Mounting Bracket	37
-------------------------------------	----

Covers

Rear Cover Assembly	38
---------------------	----

Decals

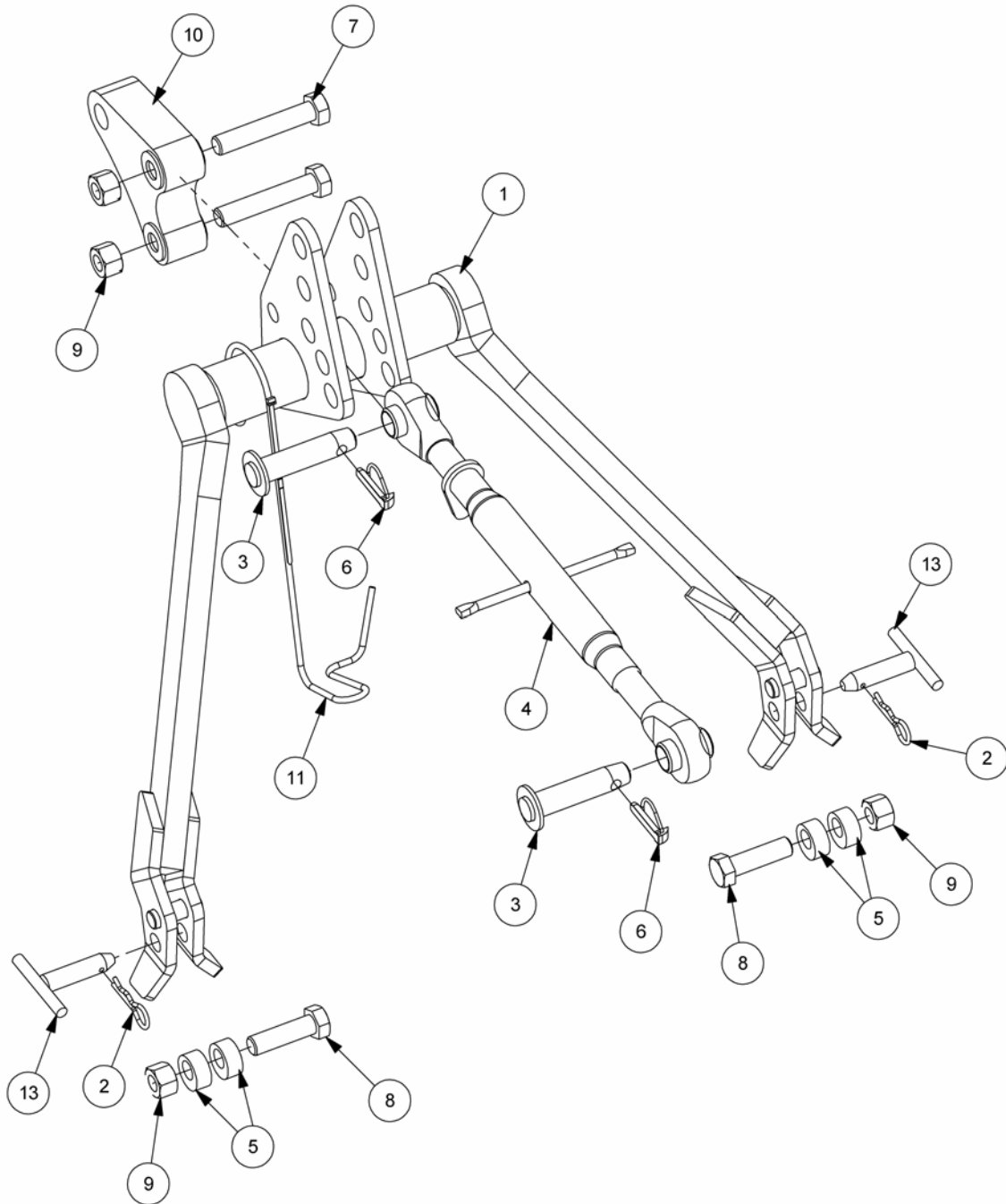
Machine Decals	39
----------------	----

Cooler Kit

Cooler Kit Assembly	41
---------------------	----

STABILISER ASSEMBLY

Module:
7494804



STABILISER ASSEMBLY

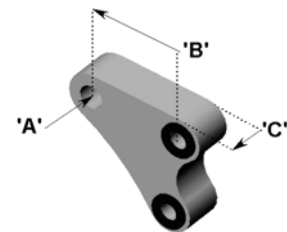
REF.	QTY.	PART NO.	DESCRIPTION
		7494804	STABILISER ASSEMBLY
1	1	41915.07	STABILIZER
2	2	0431105	SPRING COTTER
3	2	7118112	PIN
4	1	07.584.01	TOP LINK
5	4	7192080	ECCENTRIC COLLAR
6	2	0431217	LINCH PIN
7	2	9213228	BOLT
8	2	9213148	BOLT
9	4	9143008	SELF-LOCKING NUT
10	1	7499501	TONGUE - CAT.2
11	1	21160.03	PTO HOOK
12	1	7196045	HOSE TIE
13	2	7192027	STABILIZER PIN

McCONNEL STABILISER TONGUES

'A' – Hole diameter

'B' – Hole center spacing

'C' – Stabiliser width

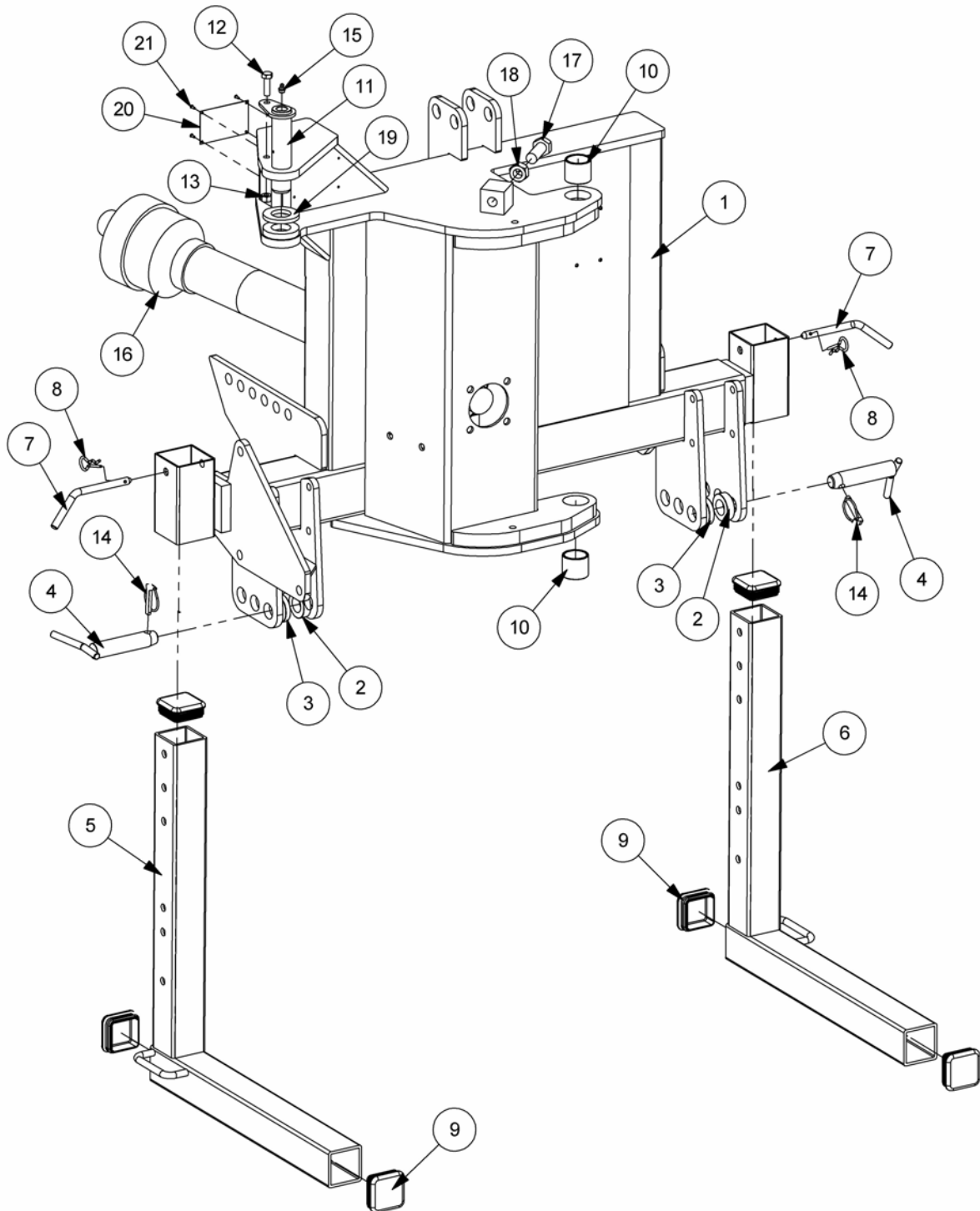


(Dimensions in mm)

Part No.	Description	'A'	'B'	'C'
7499501	Tongue: Standard – Cat. 2	27	107	45
7499500	Tongue: Special – Cat. 2 narrow	27	107	35
7499502	Tongue: Special – Cat. 2 long	27	217	45
7499503	Tongue: Special – Cat. 3 long	32	217	45
7499504	Tongue: Special – Cat. 1	19.5	107	35
7499505	Tongue: Special – Cat. 2 for Case TX tractors	25	120	50
7499506	Tongue: Special – Cat. 3	32	107	45
7499507	Tongue: Special – Cat. 3 narrow	32	107	30
7499508	Tongue: Special – for some Ford tractors	28.6	107	45
7499262	Tongue: Special – Cat. 2 extra long for Aebi	27	260	45
7499510	Tongue: Special – Cat. 2	27	107	40

MAIN FRAME ASSEMBLY

Module:
7451701



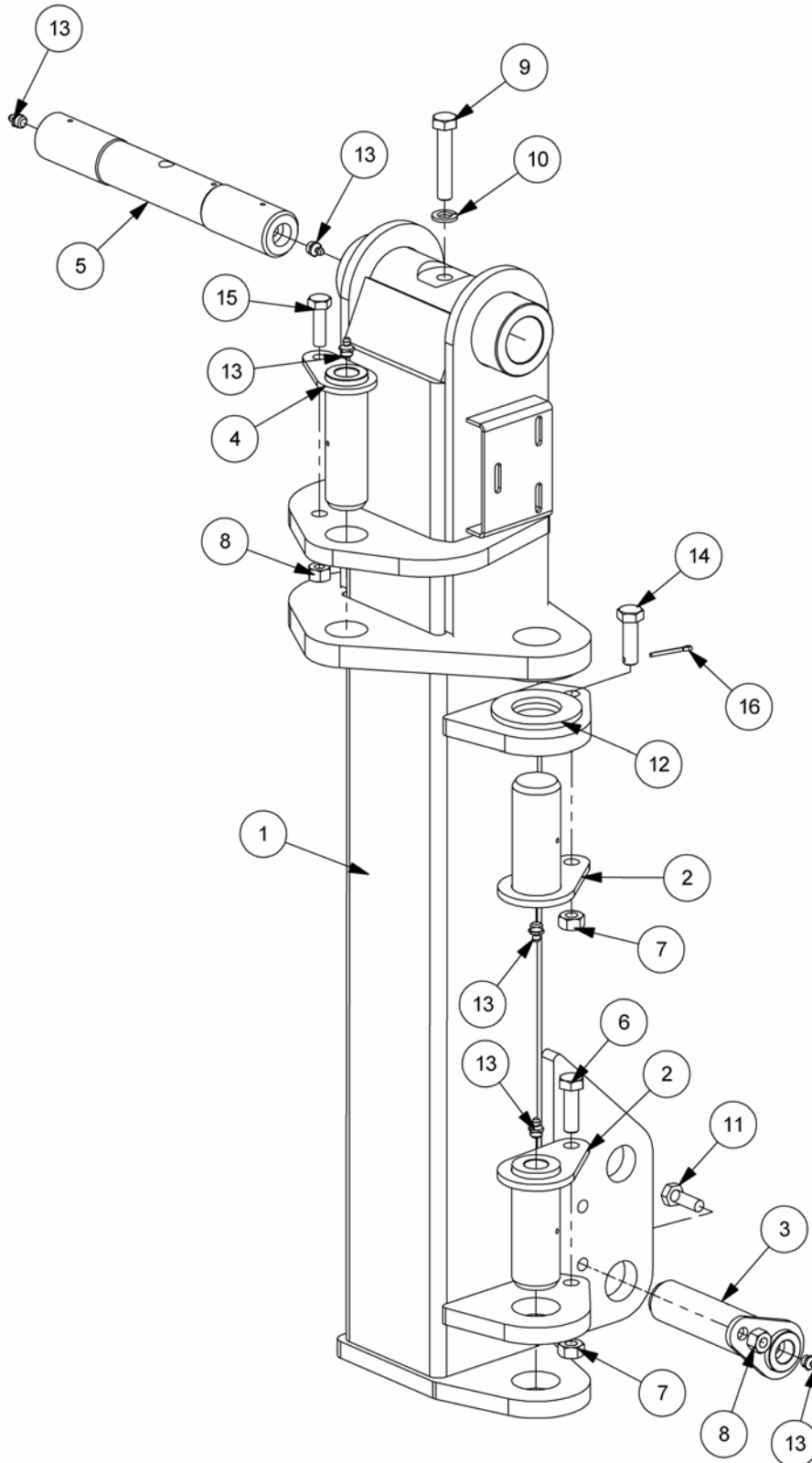
**MAIN FRAME ASSEMBLY**

REF.	QTY.	PART NO.	DESCRIPTION
		7451701	MAIN FRAME ASSEMBLY
1	1	45193.02	MAIN FRAME - R/H Build
2	2	43332.01	LINKAGE SPACER
3	2	43332.02	LINKAGE SPACER
4	2	41559.01	LINKAGE PIN - CAT 2.
5	1	45293.01	STAND LEG - L/H
6	1	45293.02	STAND LEG - R/H
7	2	45297.01	LEG PIN
8	2	0431105	SPRING COTTER
9	6	45210.01	PLASTIC PLUG
10	2	21385.01	BUSH
11	1	45202.05	SLEW BASE PIN
12	1	9313075	SETSCREW
13	1	9143005	SELF-LOCKING NUT
14	2	0431217	LINCH PIN
15	1	0901121	GREASE NIPPLE
16	1	7136330	DRIVE SHAFT ASSEMBLY
17	1	9313118	SETSCREW
18	1	9113008	NUT
19	1	45905.01	SPACER
20	1	1335246	SERIAL No. PLATE
21	4	7103230	POP RIVET

PILLAR ASSEMBLY

Module:
7494704

Illustrated in Right Hand Build



**PILLAR ASSEMBLY**

REF.	QTY.	PART NO.	DESCRIPTION
		7494704	PILLAR ASSEMBLY
1	1	45192.02	PILLAR - R/H Build
2	2	45271.01	PIN - SLEW PIVOT
3	1	45202.07	PIN - LIFT RAM BASE
4	1	45202.04	PIN - SLEW ROD
5	1	45264.03	MAIN PIVOT PIN
6	1	9213086	BOLT
7	2	9143006	SELF-LOCKING NUT
8	2	9143005	SELF-LOCKING NUT
9	1	9213136	BOLT
10	1	9100206	SPRING WASHER
11	1	9313065	SETSCREW
12	1	45298.01	THRUST WASHER
13	6	0901121	GREASE NIPPLE
14	1	45416.01	SPECIAL SETCREW
15	1	9313075	SETSCREW
16	1	9501255	SPLIT PIN

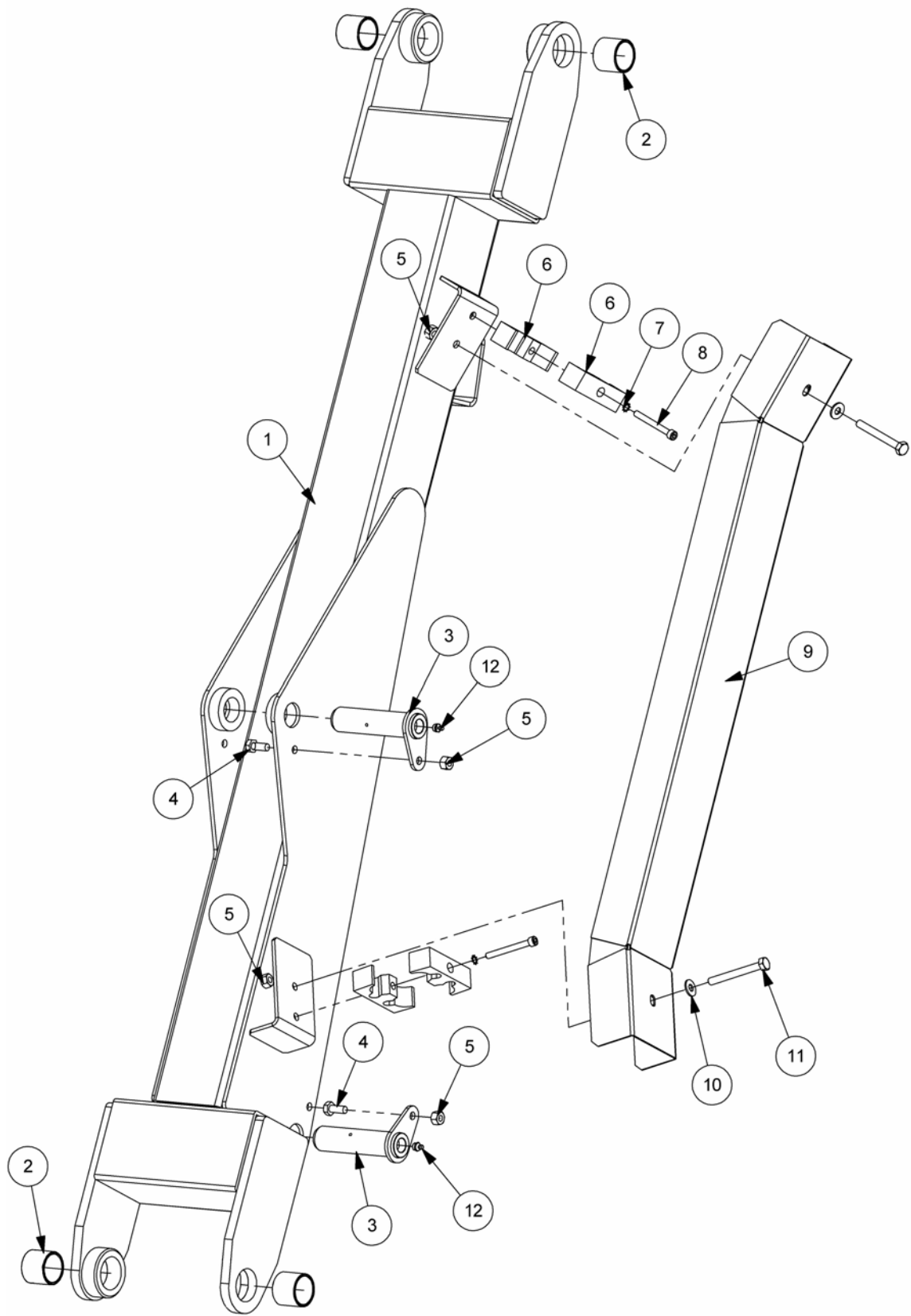
MAIN ARM ASSEMBLY

Modules:

7494700 – 5.0m Build

7494701 – 5.5m Build

5.0m build illustrated



**MAIN ARM ASSEMBLY**

REF.	QTY.	PART NO.	DESCRIPTION
		7494700	MAIN ARM ASSEMBLY - 5.0m Build
		7494701	MAIN ARM ASSEMBLY - 5.5m Build
1	1	45318.02	MAIN ARM - 5.0m Models
	1	45318.03	MAIN ARM - 5.5m Models
2	4	08.297.02	BUSH
3	2	45202.06	PIN - LIFT BASE
4	2	9313055	SETSCREW
5	4	9143005	SELF-LOCKING NUT
6	4	45630.01	HOSE CLAMP
7	2	9100404	SHAKEPROOF WASHER
8	2	9243154	CAPSCREW
9	1	41665.13	HOSE GUARD - 5.0m Models
	1	41665.24	HOSE GUARD - 5.5m Models
10	2	9100105	FLAT WASHER
11	2	9213185	BOLT
12	2	0901121	GREASE NIPPLE

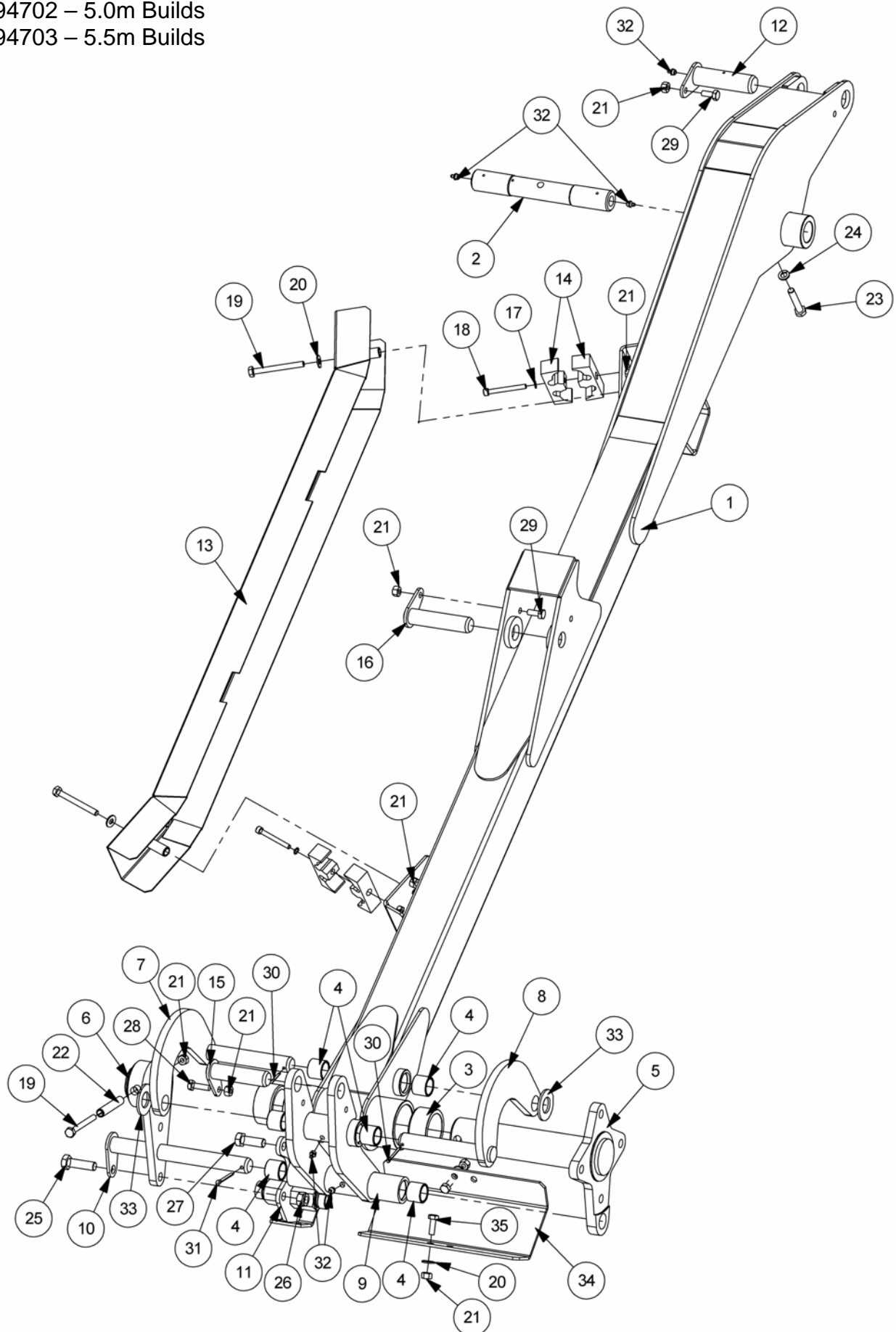
DIPPER ARM ASSEMBLY

Modules:

7494702 – 5.0m Builds

7494703 – 5.5m Builds

Illustrated in 5.0m Build

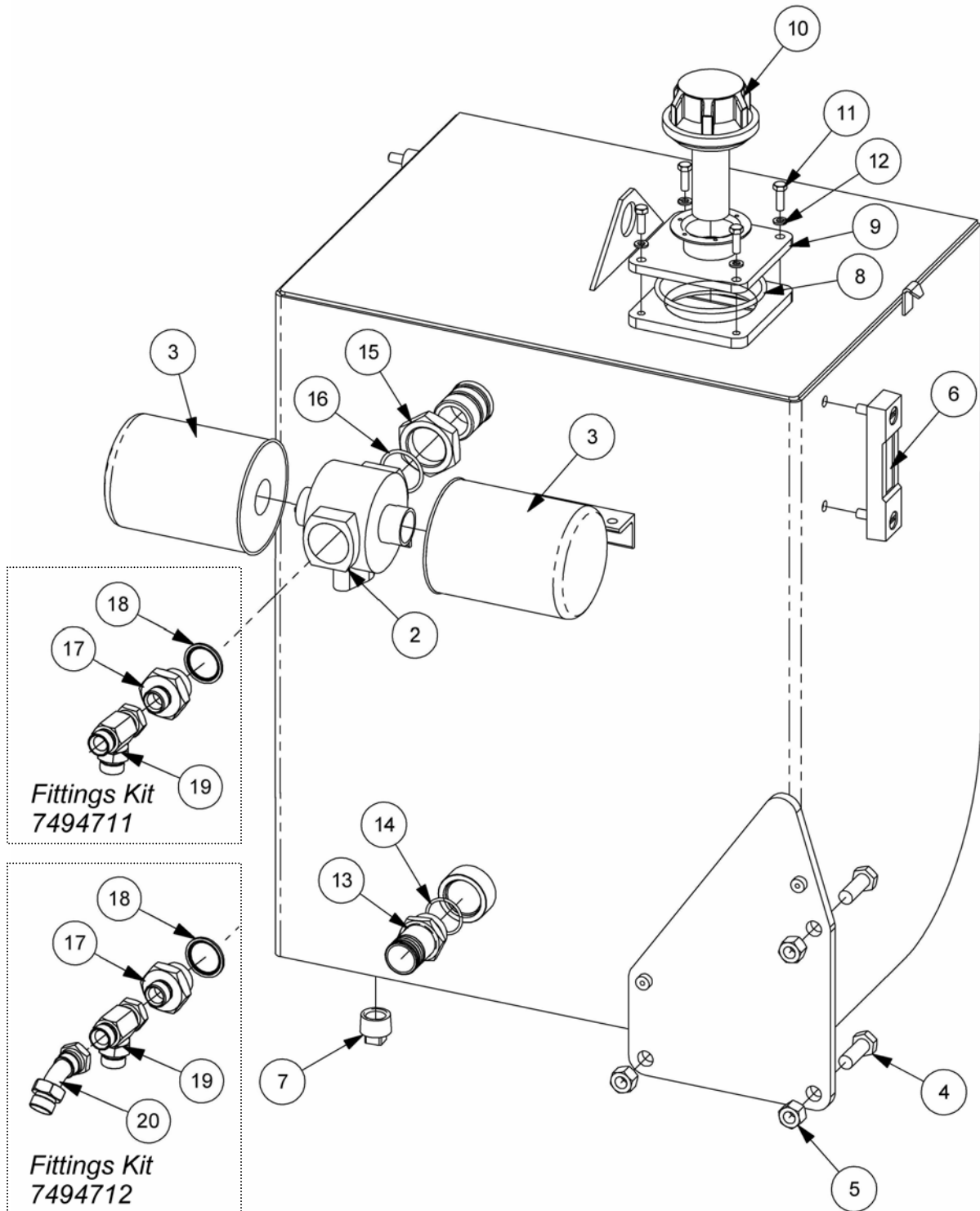


DIPPER ARM ASSEMBLY

REF.	QTY.	PART NO.	DESCRIPTION
		7494702	DIPPER ARM ASSEMBLY - 5.0m Build
		7494703	DIPPER ARM ASSEMBLY - 5.5m Build
1	1	45063.10	DIPPER ARM - 5.0m Models
	1	45063.09	DIPPER ARM - 5.5m Models
2	1	45264.03	MAIN PIVOT PIN
3	2	7136035	PLASTIC BUSH
4	6	08.297.04	BUSH
5	1	42649.01	PIVOT TUBE
6	1	42648.01	JAW PLATE
7	1	42646.03	RADIUS ARM - TYPE 1
8	1	42646.04	RADIUS ARM - TYPE 2
9	1	42647.02	SLAVE LINK
10	1	42684.01	PIN - SLAVE LINK
11	1	43055.08	HOSE BRACKET
12	1	45202.01	PIN
13	1	41665.24	HOSE GUARD - 5.0m Model
	1	41665.28	HOSE GUARD - 5.5m Model
14	4	45630.01	HOSE CLAMP
15	1	42684.05	PIN
16	1	42684.07	PIN
17	2	9100404	SHAKEPROOF WASHER
18	2	9243154	CAPSCREW
19	3	9213205	BOLT
20	4	9100105	FLAT WASHER
21	8	9143005	SELF-LOCKING NUT
22	1	0423556	SPRING DOWEL
23	1	9213136	BOLT
24	1	9100206	SPRING WASHER
25	1	9200023	BOLT
26	2	9100028	SELF-LOCKING NUT
27	1	9200028	BOLT
28	1	9313075	SETSCREW
29	2	9313055	SETSCREW
30	2	9501406	SPLIT PIN
31	1	9501507	SPLIT PIN
32	7	0901121	GREASE NIPPLE
33	2	05.281.18	FLAT WASHER
34	1	7198333	HOSE TRAY
35	2	9313065	SETSCREW

HYDRAULIC TANK ASSEMBLY

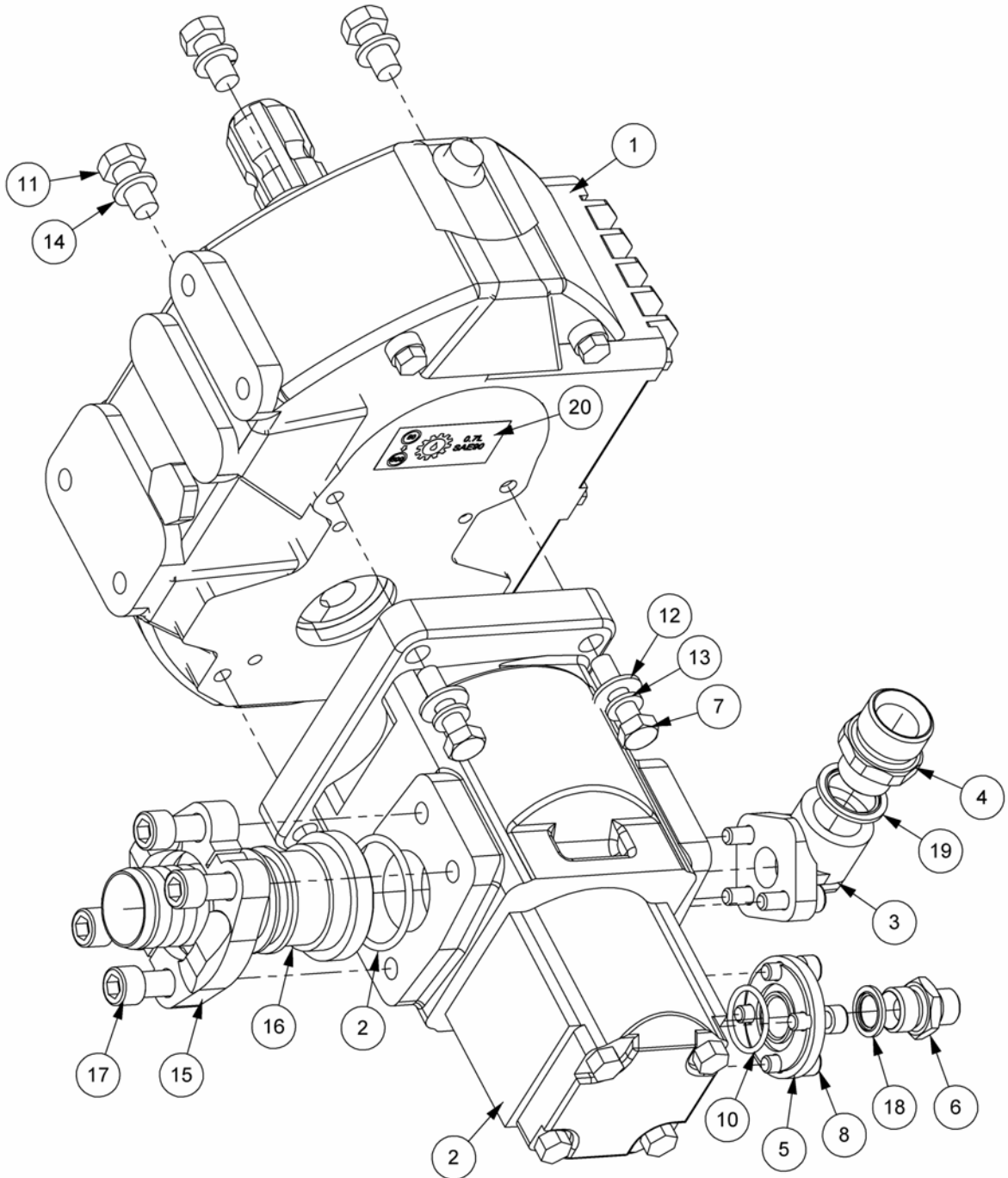
Module:
7494713



HYDRAULIC TANK ASSEMBLY

REF.	QTY.	PART NO.	DESCRIPTION
		7494713	HYDRAULIC TANK ASSEMBLY
1	1	45243.02	HYDRAULIC TANK
2	1	8401060	RETURN FILTER HEAD
3	2	8401086	FILTER ELEMENT
4	3	9313097	SETSCREW
5	3	9143007	SELF-LOCKING NUT
6	1	8401048	LEVEL GAUGE
7	1	8581203	TAPER PLUG - HOLLOW
8	1	8600151	O RING
9	1	43175.01	COVER PLATE
10	1	8401074	FILLER BREATHER
11	4	9313054	SETSCREW
12	4	9100204	SPRING WASHER
13	1	8581260	ADAPTOR
14	1	8700784	O RING
15	1	8581422	ADAPTOR BACKNUT
16	1	8600302	O RING
		7494711	TANK FITTINGS KIT
17	1	04.056.02	SWIVEL TEE
18	1	8581291	ADAPTOR
19	1	8650224	BONDED SEAL
		7494712	TANK FITTINGS KIT
17	1	04.056.02	SWIVEL TEE
18	1	8581291	ADAPTOR
19	1	8650224	BONDED SEAL
20	1	08.940.02	ADAPTOR - 135°

Module:
7451765



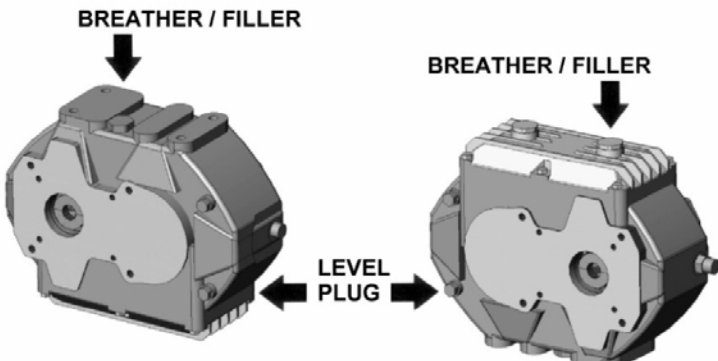
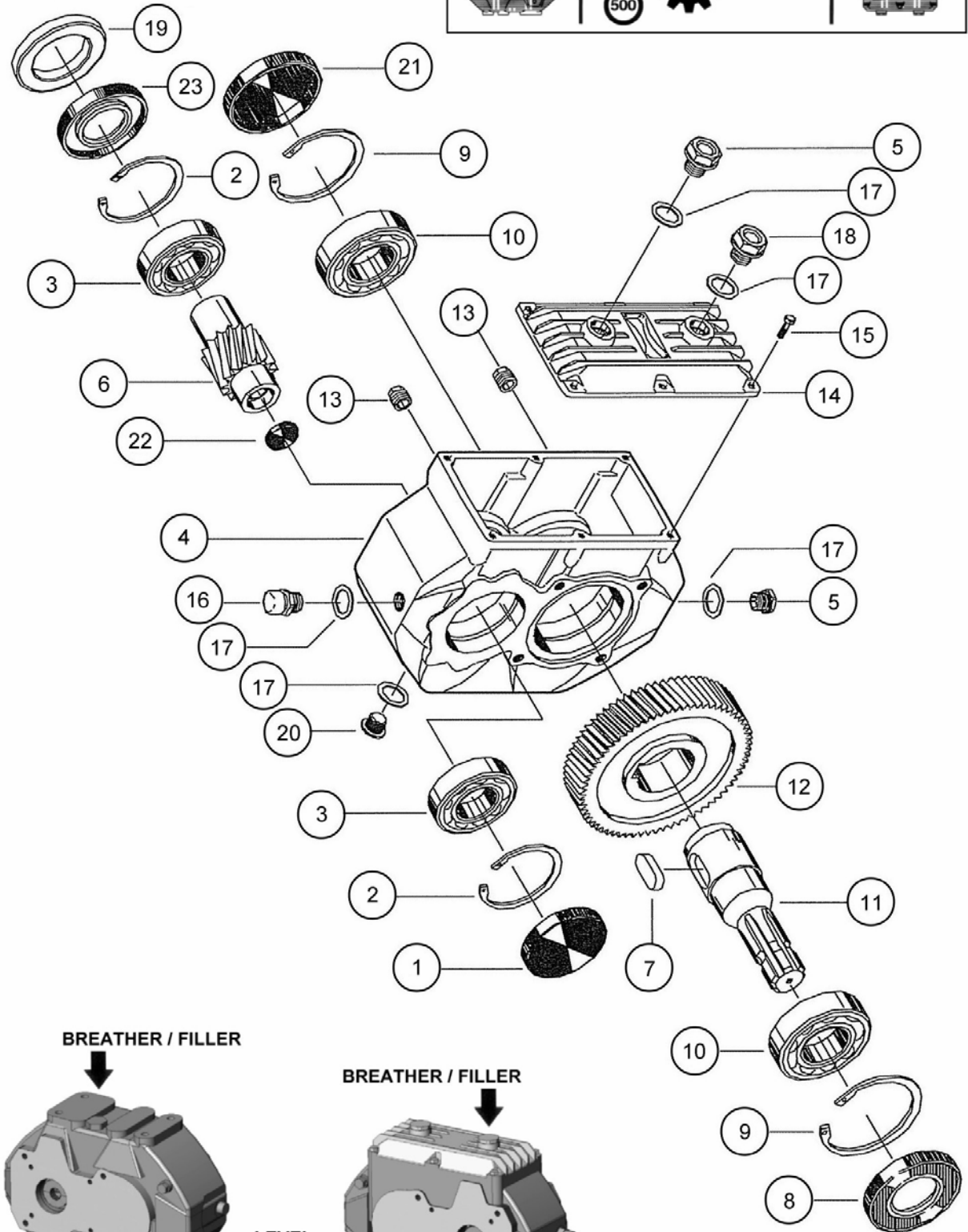
TI PUMP & GEARBOX ASSEMBLY

REF.	QTY.	PART NO.	DESCRIPTION
		7451765	TI PUMP & GEARBOX ASSEMBLY
1	1	21931.01	GEARBOX 1:4.25 13T SPLINE
2	1	8201700	PUMP (TI)
3	1	8005052	PRESSURE CONNECTION KIT
4	1	8002086	ADAPTOR
5	1	42029.01	PORT PLATE
6	1	6000112	ADAPTOR
7	4	9313085	SETSCREW
8	4	9300147	CAPSCREW
9	1	8600303	O RING
10	1	8600405	O RING
11	4	9313056	SETSCREW
12	4	9100105	FLAT WASHER
13	4	9100205	SPRING WASHER
14	4	9100206	SPRING WASHER
15	1	41.294.01	SPLIT FLANGE (PAIR)
16	1	41.294.03	ADAPTOR FLANGE (LP)
17	4	9343066	CAPSCREW
18	1	8650103	BONDED SEAL
19	1	8650106	BONDED SEAL
20	1	1290092	GEARBOX DECAL

GEARBOX ASSEMBLY

Modules:

21931.01 – Gearbox (Ratio 1:4.25) 13T



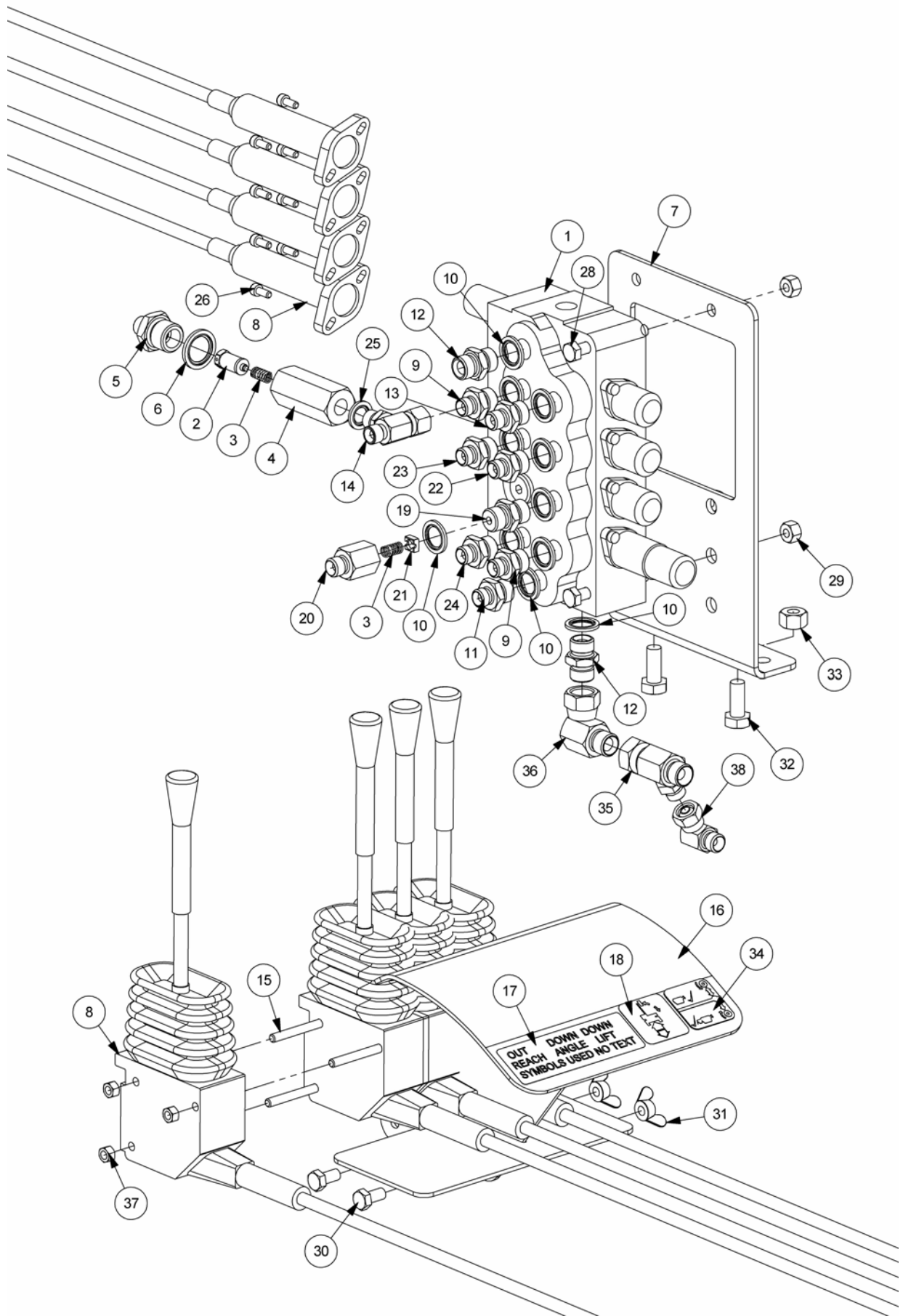
NOTE: Plug positions are dependent on gearbox orientation

GEARBOX ASSEMBLY

REF.	QTY.	PART No.	DESCRIPTION
		21931.01	GEARBOX ASSEMBLY (Cast Iron)
		<i>Specification:</i>	<i>Ratio 1:4.25 with 13 tooth spline</i>
1	1	8013530	CAP
2	2	8013529	INTERNAL CIRCLIP
3	2	8013528	BEARING
4	1	8013585	GEARBOX CASTING
5	2	8013533	DRAIN PLUG
6	1	8013575	SHAFT
7	1	8013586	DRIVESHAFT KEY
8	2	8013526	SHAFT SEAL
9	2	8013525	INTERNAL CIRCLIP
10	1	8013524	BEARING
11	1	8013522	INPUT SHAFT
12	1	8013587	PRIMARY GEAR
13	2	8013534	LEVEL PLUG
14	1	8013589	GEARBOX COVER
15	6	9313033	SCREW
16	1	8013590	OIL PLUG
17	5	8013591	SEALING WASHER
18	1	8013592	OIL PLUG
19	1	8013576	RING
20	1	8013593	OIL PLUG
21	1	8013527	CAP
22	1	8013594	OIL PLUG
23	1	8699264	GEARBOX SEAL

CABLE CONTROL VALVE

Module:
7494706

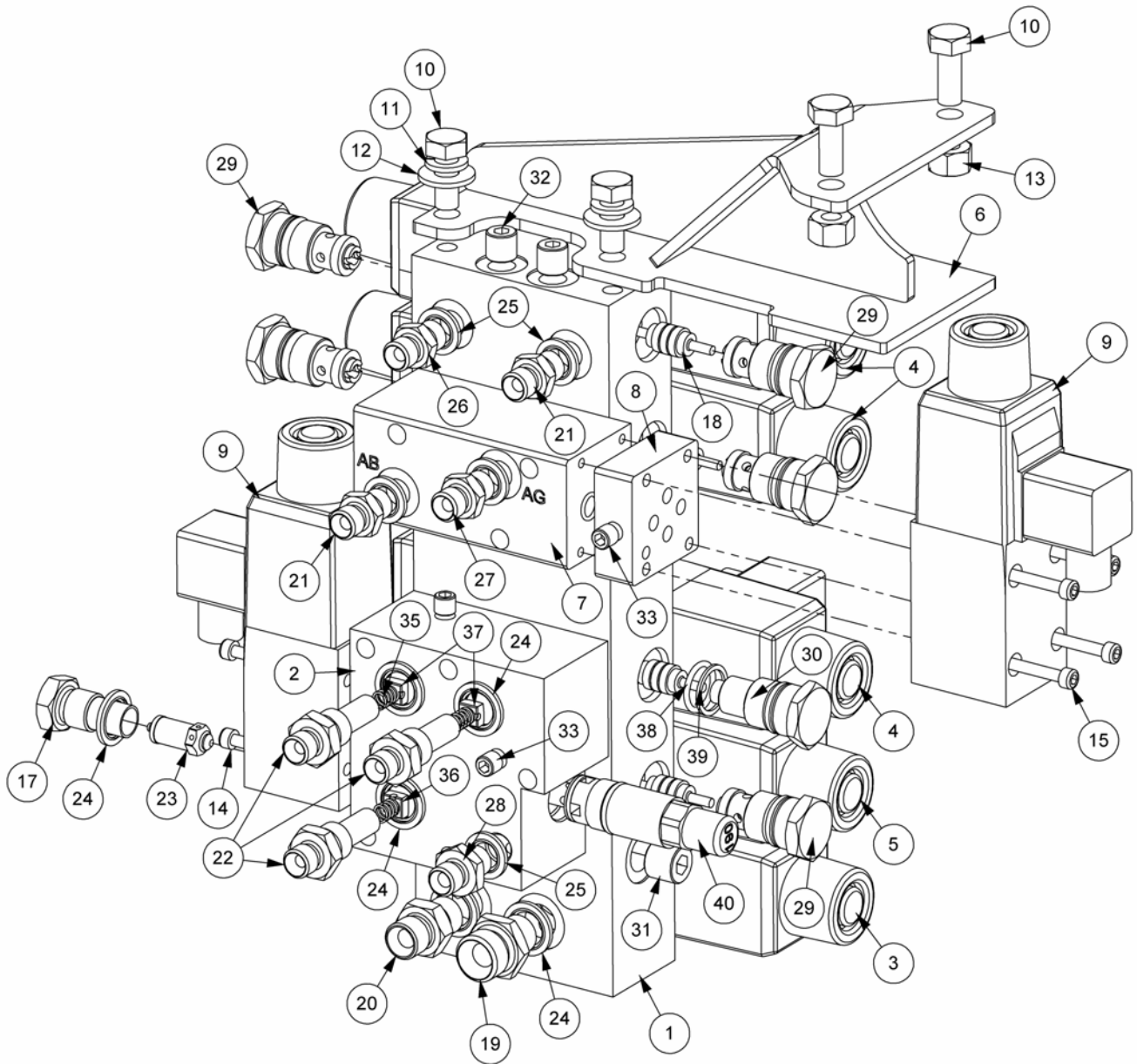


CABLE CONTROL VALVE

REF.	QTY.	PART NO.	DESCRIPTION
		7494706	CONTROL VALVE ASSEMBLY
1	1	8130466	CONTROL VALVE - 4 SPOOL
2	1	8130124	RELIEF VALVE - 140BAR
3	2	8116011	SPRING
4	1	8130156	RELIEF VALVE HOUSING
5	1	8130083	ADAPTOR RELIEF BODY
6	1	8650104	BONDED SEAL
7	1	45274.03	VALVE BRACKET - R/H
8	4	8017058	ARM CONTROL HEAD & CABLE - 2.5m
9	2	8130066	ADAPTOR RESTRICTOR - 1.15 'M'
10	11	8650103	BONDED SEAL
11	1	8130067	ADAPTOR RESTRICTOR - 3.2 'E'
12	2	6000113	ADAPTOR
13	1	8581115	ADAPTOR
14	1	8581254	ADAPTOR TEE
15	3	04.282.71	STUD
16	1	7650307	ARMREST
17	1	1290368	CONTROL STICKER
18	1	1290541	DECAL - SLEW
19	1	8581209	ADAPTOR
20	1	8581214	ADAPTOR BODY
21	1	8123044	RESTRICTOR DISC - 1.8 YELLOW
22	1	8130047	ADAPTOR RESTRICTOR - 1.8 'B'
23	1	8130046	ADAPTOR RESTRICTOR - 1.5 'A'
24	1	8130048	ADAPTOR RESTRICTOR - 1.3 'C'
25	1	8650102	BONDED SEAL
26	8	9343022	CAPSCREW
27	1	10.001.08	HOSE - 1/4" BSP FS/FS x 400mm (<i>not illustrated</i>)
28	3	9213134	BOLT
29	3	9143004	SELF-LOCKING NUT
30	2	9313034	SETSCREW
31	2	9193004	WING NUT
32	2	9313055	SETSCREW
33	2	9143005	SELF-LOCKING NUT
34	1	1290338	DECAL - ROTOR REVERSE
35	1	04.056.16	ADAPTOR TEE
36	1	8581117	ADAPTOR ELBOW
37	6	9143003	SELF-LOCKING NUT
38	1	8581190	ADAPTOR ELBOW - 90°

XTC PROPORTIONAL VALVE

Module:
7451807 – R/H Build



XTC PROPORTIONAL VALVE

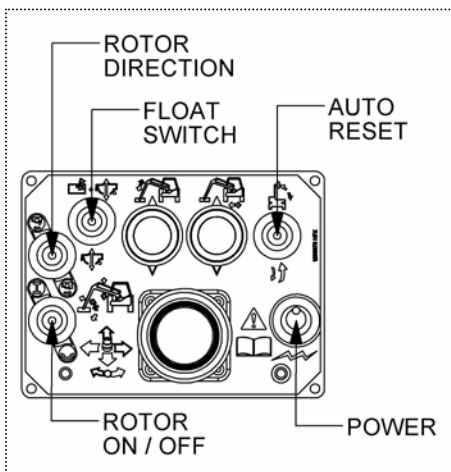
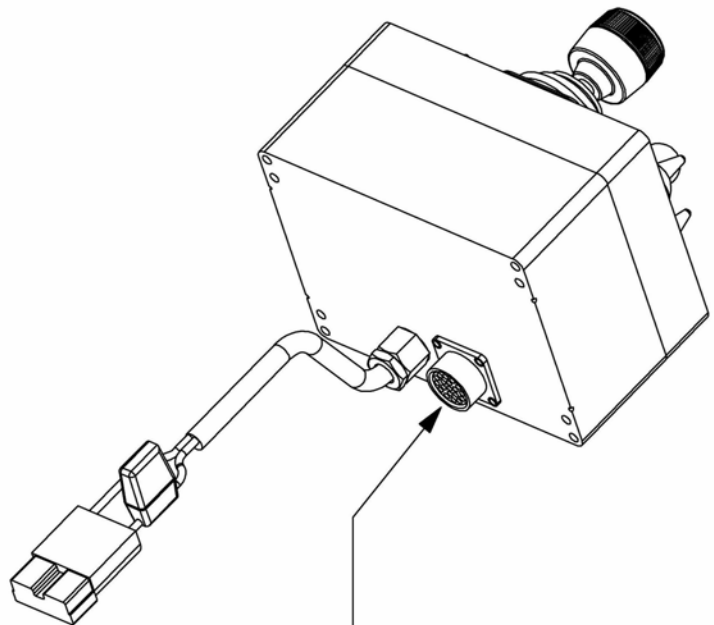
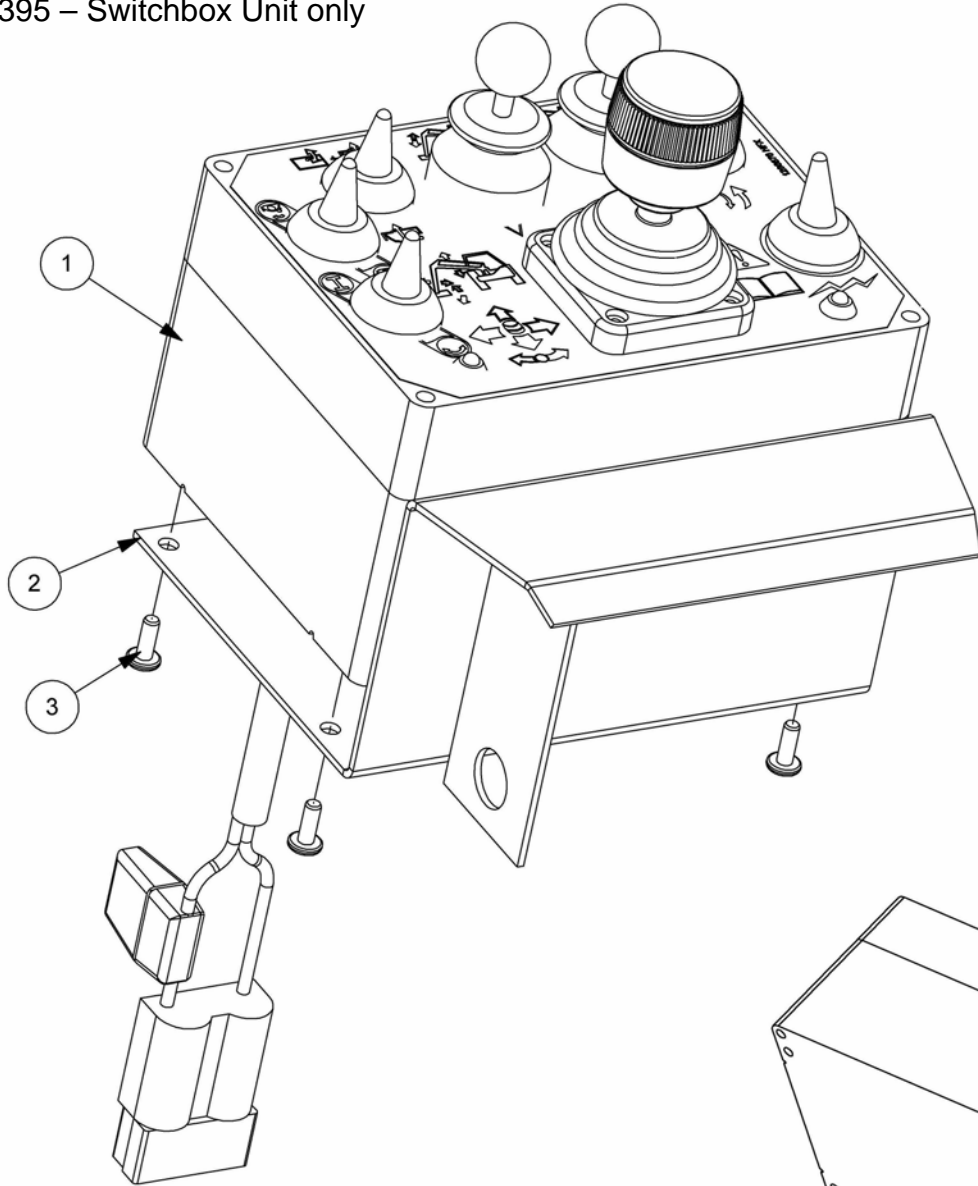
REF.	QTY.	PART NO.	DESCRIPTION
		7451807	XTC PROPORTIONAL CONTROL VALVE
1	1	8132268	MANIFOLD BLOCK
2	1	8130348	SLEW CIRCUIT BLOCK
3	1	8130456	CUT OFF SOLENOID VALVE
4	3	41784.48	DOUBLE SOLENOID PROP. VALVE
5	1	8130629	DOUBLE SOLENOID VALVE
6	1	45277.03	BRACKET
7	1	8130323	FLOAT VALVE BLOCK
8	1	8126280	BRIDGING PLATE
9	2	8130457	SINGLE SOLENOID VALVE
10	4	9313055	SETSCREW
11	2	9100205	SPRING WASHER
12	2	9100105	FLAT WASHER
13	2	9143005	SELF-LOCKING NUT
14	24	9243062	CAPSCREW
15	4	9243102	CAPSCREW
16	9	9243082	CAPSCREW
17	1	8130032	RELIEF VALVE CAP
18	4	8130087	ACTUATOR
19	1	6000112	ADAPTOR
20	1	6000113	ADAPTOR
21	2	8130105	ADAPTOR RESTRICTOR - 1.6 'H'
22	3	8581210	SPECIAL ADAPTOR
23	1	8130092	RELIEF VALVE - 190BAR
24	6	8650103	BONDED SEAL
25	5	8650102	BONDED SEAL
26	1	8130104	ADAPTOR RESTRICTOR - 1.8 'G'
27	1	8130038	ADAPTOR RESTRICTOR - 1.4 'L'
28	1	8581169	ADAPTOR
29	7	8130090	CHECK VALVE ASSEMBLY
30	1	8130078	CHECK VALVE CAP
31	3	8582043	TAPER PLUG
32	2	8582042	TAPER PLUG
33	5	8582041	TAPER PLUG
34	13	8700511	O RING
35	3	8116011	SPRING
36	1	8123041	RESTRICTOR DISC - 1.15 RED
37	2	8123044	RESTRICTOR DISC - 1.8 YELLOW
38	1	8700644	O RING
39	1	8709644	AE RING
40	1	G3812542	RELIEF VALVE - 190BAR
41	1	8402338	LOOM - ANGLE FLOAT
42	1	41844.01	LOOM - 19 CORE

PROPORTIONAL SWITCHBOX

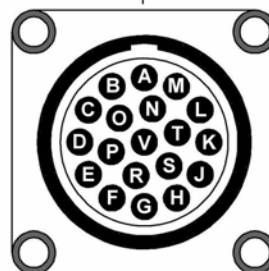
Modules:

8402911 – Switchbox Unit c/w Mounting Bracket & Screws

8402395 – Switchbox Unit only



- A - COMMON
- B - REACH IN
- C - REACH OUT
- D - LIFT UP
- E - LIFT DOWN
- F - COMMON
- G - TELE IN
- H - TELE OUT
- J - ANGLE DOWN
- K - ANGLE UP



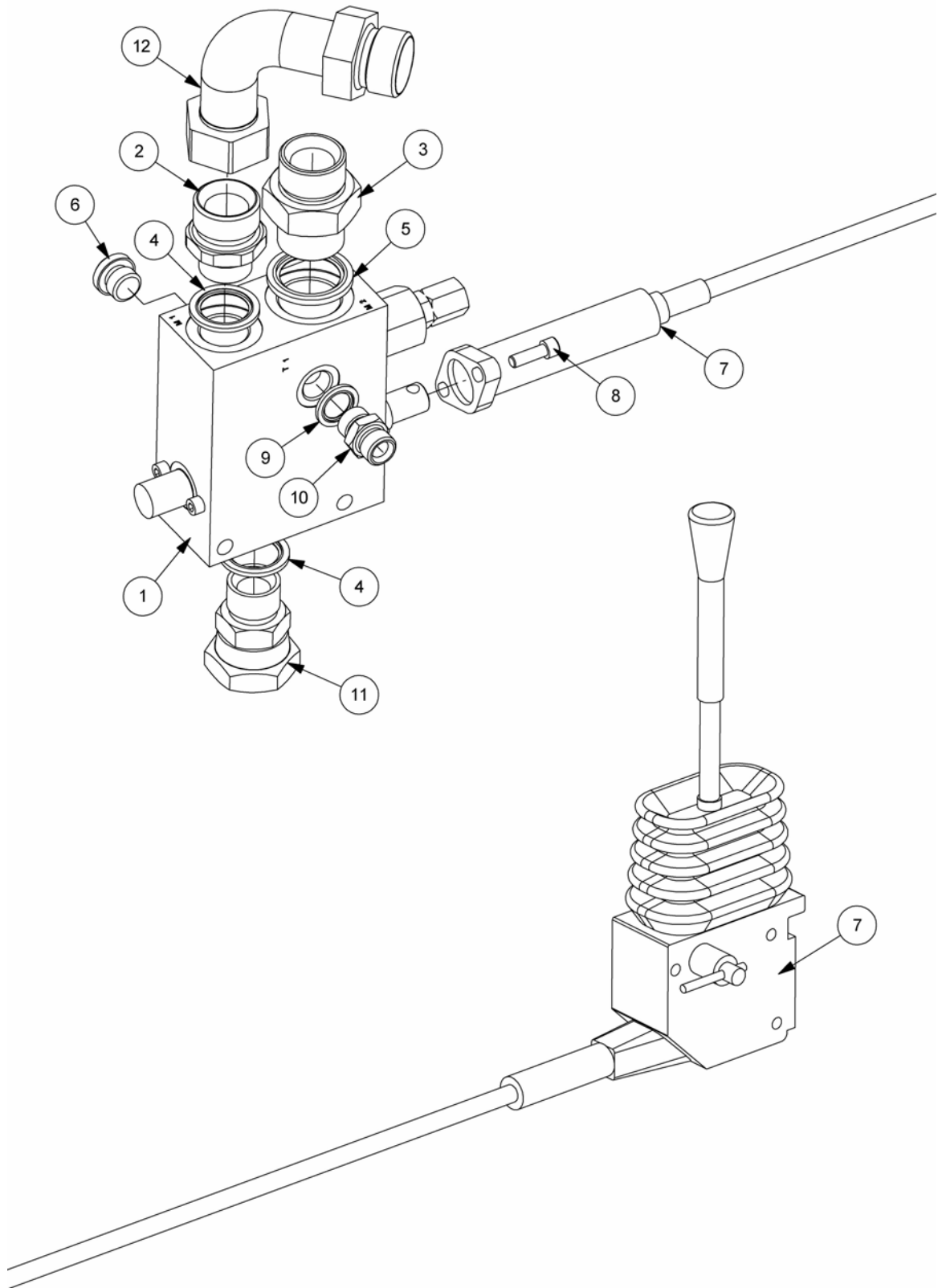
- L - SLEW OUT
- M - SLEW IN
- N - COMMON
- P - ANGLE FLOAT
- R - LIFT FLOAT
- S - PUMP 1
- T - PUMP 2
- U - AUTO RESET
- V - CUT OFF

PROPORTIONAL SWITCHBOX

REF.	QTY.	PART NO.	DESCRIPTION
		8402911	PROPORTIONAL SWITCHBOX CONTROLS
1	1	8402395	PROPORTIONAL SWITCHBOX UNIT - <i>comprising of:</i>
	1	41845.44	BOX BASE
	1	41845.45	BOX LID
	1	41845.47	CIRCUIT BOARD
	2	41845.34	LOOM - SWITCH UNIT
	1	41845.37	LOOM - FLOAT SWITCH
	1	43022.49	CONNECTOR - SINGLE FUSE
	1	8402189	PANEL MOUNTING SHELL
	1	8402149	GLAND - PLASTIC
	4	2800203	SCREW
	2	8402122	SWITCH UNIT
	1	8402023	TOGGLE SWITCH
	1	8402197	SWITCH - FLOAT SELECTION
	2	41845.41	LED
	5	8402024	SWITCH COVER
	1	8402198	KNOB - BLUE
	1	8402056	KNOB - BLACK
	1	8402237	LOOM - POWER SUPPLY
	19	8402192	SOCKET CONTACT
	1	8402173	SWITCH - PUMP POWER / RESET
	1	8402182	SWITCH - AUTO RESET
	1	8402185	SWITCH - ROTOR DIRECTION
	1	1290670	DECAL - PROPORTIONAL SWITCHBOX
	1	41845.36	LOOM - PUMP CONTROL
	1	41845.35	LOOM - RESET
	1	8402246	JOYSTICK - 3 AXIS
2	1	8402345	SWITCHBOX MOUNTING BRACKET
3	4	2800243	SELF TAPPING SCREW

CABLE ROTOR CONTROL

Module:
7494705



CABLE ROTOR CONTROL

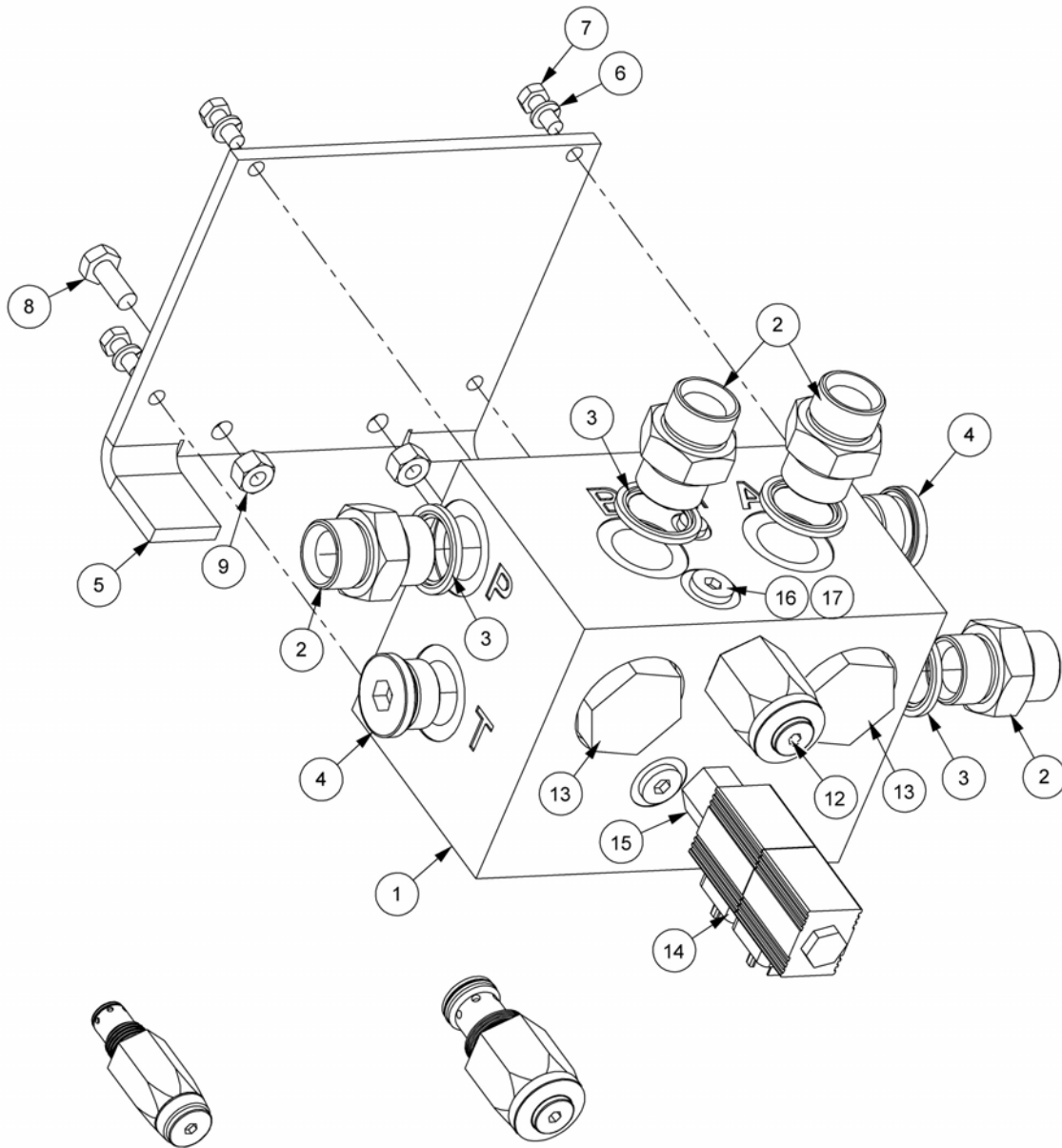
REF.	QTY.	PART NO.	DESCRIPTION
		7494705	ROTOR CONTROL VALVE ASSEMBLY
1	1	06.284.01	RELIEF/DIVERTER ASSEMBLY
2	1	8002086	ADAPTOR
3	1	05.434.01	ADAPTOR
4	2	8650106	BONDED SEAL
5	1	8650108	BONDED SEAL
6	1	8581436	PLUG
7	1	8017085	ROTOR CONTROL HEAD & CABLE - 3.0m
8	2	0342061	CAPSCREW
9	1	8650103	BONDED SEAL
10	1	6000113	ADAPTOR
11	1	02.714.05	ADAPTOR SWIVEL
12	1	8581264	ADAPTOR - SWEPT 90°

ELECTRIC ROTOR CONTROL

Modules:

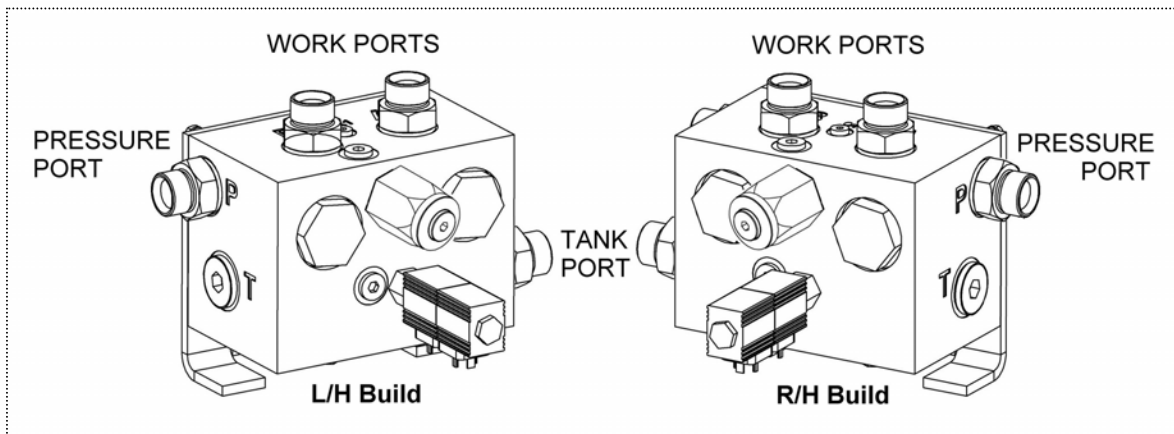
7451768 – L/H Build

7451769 – R/H Build



*Early version Relief Valve 42768.33
as fitted to Manifold Block 42768.31*

*Later version Relief Valve 42768.41
as fitted to Manifold Block 42768.40*



ELECTRIC ROTOR CONTROL

REF.	QTY.	PART No.	DESCRIPTION
		7451768	ELECTRIC ROTOR CONTROL - L/H Build
		7451769	ELECTRIC ROTOR CONTROL - R/H Build
1	1	42768.01	VALVE RCV ELECTRIC
2	4	05.434.01	ADAPTOR
3	4	8650108	BONDED SEAL
4	3	8581389	ADAPTOR PLUG
5	1	45267.01	RCV BRACKET
6	4	9100204	SPRING WASHER
7	4	9313044	SETSCREW
8	2	9313055	SETSCREW
9	2	9143005	SELF-LOCKING NUT
10	1	43177.26	LOOM ROTOR REVERSE (<i>not illustrated</i>)
11	1	42768.31	MANIFOLD BLOCK - <i>Early version</i> *
	1	42768.40	MANIFOLD BLOCK - <i>Later version</i> *
12	1	42768.33	RELIEF VALVE - <i>Early version</i> *
	1	42768.41	RELIEF VALVE - <i>Later version</i> *
13	4	42768.32	LOGIC ELEMENT
14	2	42768.35	SOLENOID (12V-28W)
15	1	42768.34	SPOOL - OPEN CENTRE
16	2	42768.39	PLUG
17	1	42768.36	ORIFICE PLUG

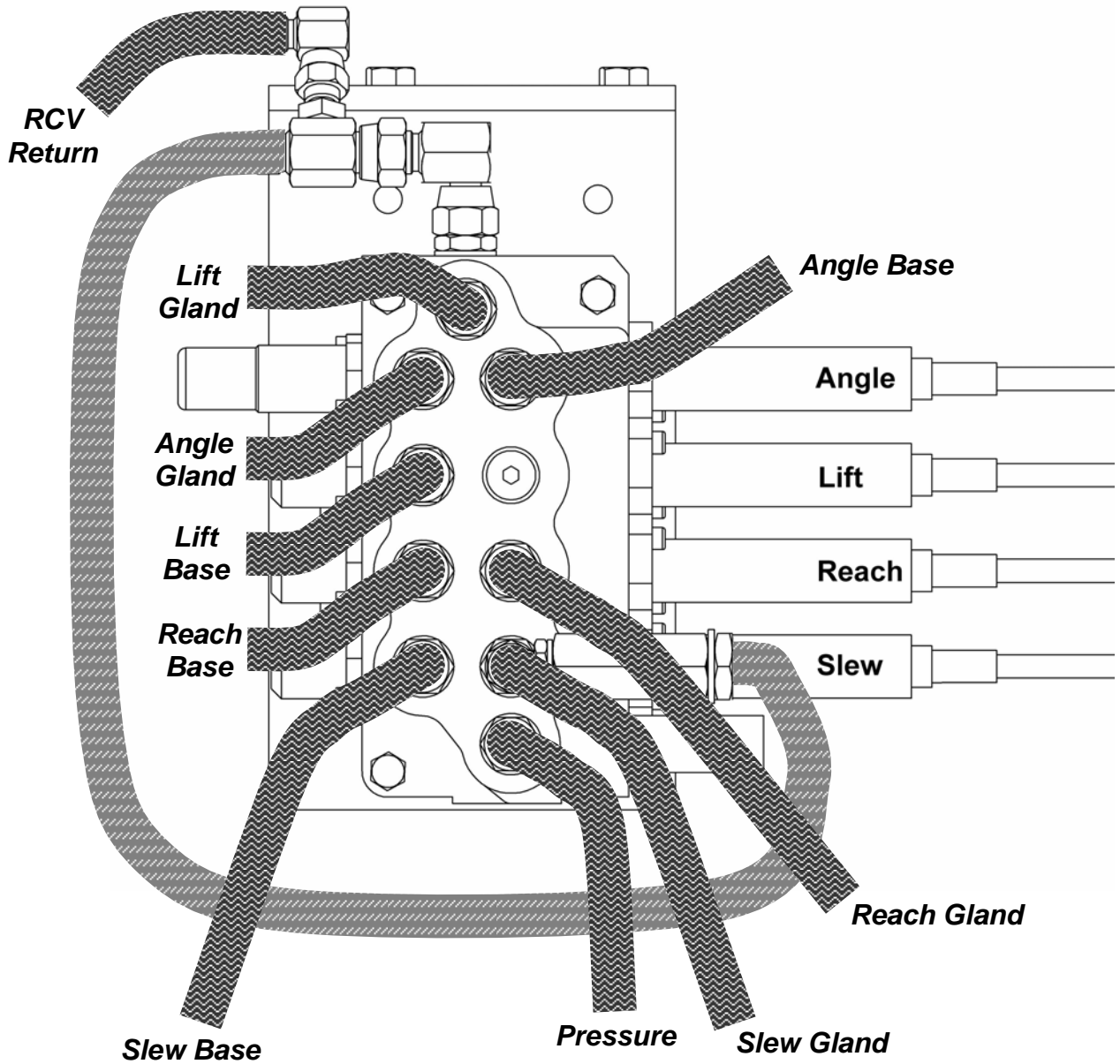
* Early and later versions of these items are not interchangeable with each other

ACV HOSE INSTALLATION

Modules:

74947221 – PA Eco 50 Hose Kit

74947222 – PA Eco 55 Hose Kit



HOSE KITS

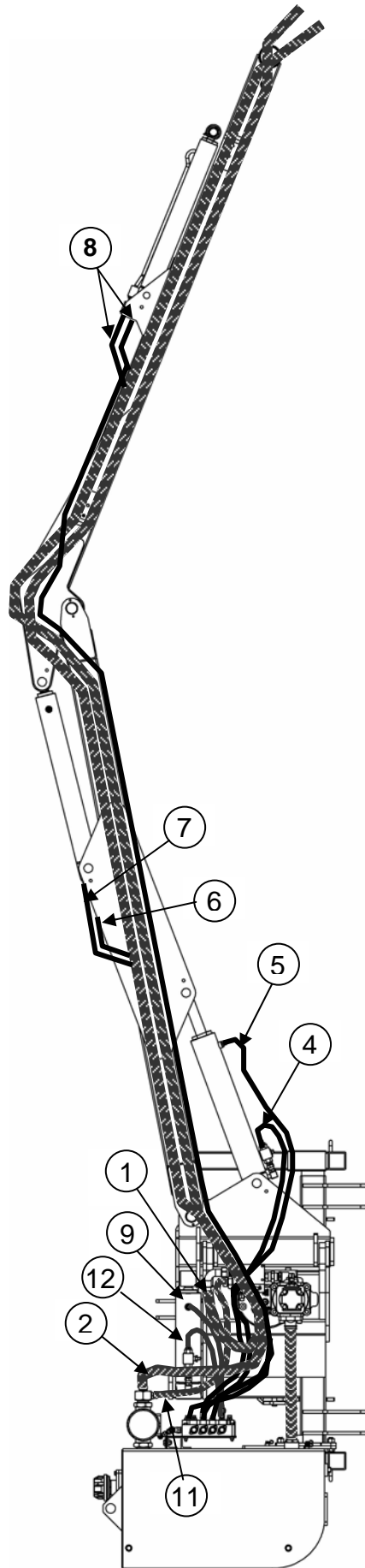
REF.	QTY.	PART No.	DESCRIPTION	
74947221			HOSE KIT - PA Eco 50 (Cable Models)	
1	1	10.012.61	HOSE - 1" BSP FS/F90 x 5100mm	Flail Pipe
2	1	10.012.67	HOSE - 1" BSP FS/F90 x 5700mm	Flail Pipe
3	1	10.004.12	HOSE - 3/8" BSP FS/F90 x 600mm	ACV Return
4	1	10.001.20	HOSE - 1/4" BSP FS/FS x 1000mm	Lift Base
5	1	10.002.20	HOSE - 1/4" BSP FS/F90 x 1000mm	Lift Gland
6	1	10.001.26	HOSE - 1/4" BSP FS/FS x 1600mm	Reach Base
7	1	10.002.33	HOSE - 1/4" BSP FS/F90 x 2300mm	Reach Gland
8	2	10.001.47	HOSE - 1/4" BSP ST/ST x 3700mm	Angle Base/Gland
9	1	10.002.12	HOSE - 1/4" BSP ST/90 x 600mm	Slew Gland
10	1	10.004.14	HOSE - 3/8" BSP FS/F90 x 700mm	ACV Pressure
11	1	10.012.12	HOSE - 1" BSP ST/90 x 600mm	Valve to Tank
12	1	10.002.10	HOSE - 1/4" BSP FS/F90 x 500mm	Slew Base
74947222			HOSE KIT - PA Eco 55 (Cable Models)	
1	1	10.012.66	HOSE - 1" BSP FS/F90 x 5600mm	Flail Pipe
2	1	10.012.72	HOSE - 1" BSP FS/F90 x 6200mm	Flail Pipe
3	1	10.004.12	HOSE - 3/8" BSP FS/F90 x 600mm	ACV Return
4	1	10.001.20	HOSE - 1/4" BSP FS/FS x 1000mm	Lift Base
5	1	10.002.20	HOSE - 1/4" BSP FS/F90 x 1000mm	Lift Gland
6	1	10.001.26	HOSE - 1/4" BSP FS/FS x 1600mm	Reach Base
7	1	10.002.33	HOSE - 1/4" BSP FS/F90 x 2300mm	Reach Gland
8	2	10.001.47	HOSE - 1/4" BSP ST/ST x 3700mm	Angle Base/Gland
9	1	10.002.12	HOSE - 1/4" BSP ST/90 x 600mm	Slew Gland
10	1	10.004.14	HOSE - 3/8" BSP FS/F90 x 700mm	ACV Pressure
11	1	10.012.12	HOSE - 1" BSP ST/90 x 600mm	Valve to Tank
12	1	10.002.10	HOSE - 1/4" BSP FS/F90 x 500mm	Slew Base
74947231			HOSE KIT - PA Eco 55 (XTC Prop. Models)	
1	1	10.012.66	HOSE - 1" BSP FS/F90 x 5600mm	Flail Pipe
2	1	10.012.66	HOSE - 1" BSP FS/F90 x 5600mm	Flail Pipe
3	1	10.004.12	HOSE - 3/8" BSP FS/F90 x 600mm	Pump to ACV
4	1	10.001.21	HOSE - 1/4" BSP FS/FS x 1100mm	Lift Base
5	1	10.002.22	HOSE - 1/4" BSP FS/F90 x 1200mm	Lift Gland
6	1	10.001.28	HOSE - 1/4" BSP FS/FS x 1800mm	Reach Base
7	1	10.002.36	HOSE - 1/4" BSP FS/F90 x 2600mm	Reach Gland
8	2	10.001.53	HOSE - 1/4" BSP ST/ST x 4300mm	Angle Base/Gland
9	1	10.002.16	HOSE - 1/4" BSP ST/90 x 800mm	Slew Gland
10	1	10.006.10	HOSE - 1/2" BSP ST/90 x 500mm	ACV to RCV
11	1	10.012.15	HOSE - 1" BSP ST/90 x 750mm	Valve to Tank
12	1	10.002.16	HOSE - 1/4" BSP ST/90 x 800mm	Slew Base
13	1	10.012.20	HOSE - 1" BSP ST/90 SWEPT x 1000mm	

MACHINE HOSE INSTALLATION

Modules:

74947221 – PA Eco 50

74947222 – PA Eco 55

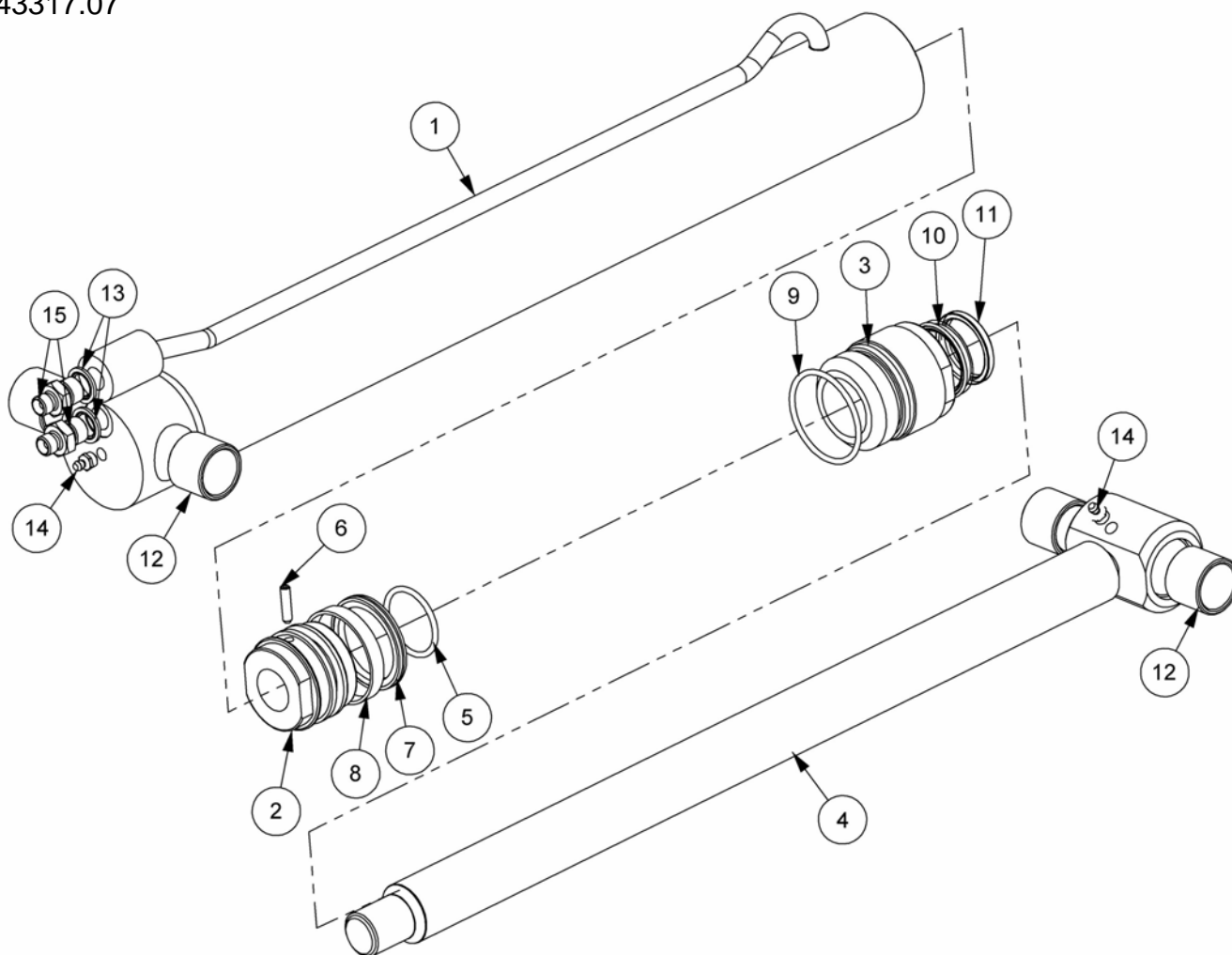


HOSE KITS

REF.	QTY.	PART No.	DESCRIPTION	
		74947221	HOSE KIT - PA Eco 50 (Cable Models)	
1	1	10.012.61	HOSE - 1" BSP FS/F90 x 5100mm	Flail Pipe
2	1	10.012.67	HOSE - 1" BSP FS/F90 x 5700mm	Flail Pipe
3	1	10.004.12	HOSE - 3/8" BSP FS/F90 x 600mm	ACV Return
4	1	10.001.20	HOSE - 1/4" BSP FS/FS x 1000mm	Lift Base
5	1	10.002.20	HOSE - 1/4" BSP FS/F90 x 1000mm	Lift Gland
6	1	10.001.26	HOSE - 1/4" BSP FS/FS x 1600mm	Reach Base
7	1	10.002.33	HOSE - 1/4" BSP FS/F90 x 2300mm	Reach Gland
8	2	10.001.47	HOSE - 1/4" BSP ST/ST x 3700mm	Angle Base/Gland
9	1	10.002.12	HOSE - 1/4" BSP ST/90 x 600mm	Slew Gland
10	1	10.004.14	HOSE - 3/8" BSP FS/F90 x 700mm	ACV Pressure
11	1	10.012.12	HOSE - 1" BSP ST/90 x 600mm	Valve to Tank
12	1	10.002.10	HOSE - 1/4" BSP FS/F90 x 500mm	Slew Base
		74947222	HOSE KIT - PA Eco 55 (Cable Models)	
1	1	10.012.66	HOSE - 1" BSP FS/F90 x 5600mm	Flail Pipe
2	1	10.012.72	HOSE - 1" BSP FS/F90 x 6200mm	Flail Pipe
3	1	10.004.12	HOSE - 3/8" BSP FS/F90 x 600mm	ACV Return
4	1	10.001.20	HOSE - 1/4" BSP FS/FS x 1000mm	Lift Base
5	1	10.002.20	HOSE - 1/4" BSP FS/F90 x 1000mm	Lift Gland
6	1	10.001.26	HOSE - 1/4" BSP FS/FS x 1600mm	Reach Base
7	1	10.002.33	HOSE - 1/4" BSP FS/F90 x 2300mm	Reach Gland
8	2	10.001.47	HOSE - 1/4" BSP ST/ST x 3700mm	Angle Base/Gland
9	1	10.002.12	HOSE - 1/4" BSP ST/90 x 600mm	Slew Gland
10	1	10.004.14	HOSE - 3/8" BSP FS/F90 x 700mm	ACV Pressure
11	1	10.012.12	HOSE - 1" BSP ST/90 x 600mm	Valve to Tank
12	1	10.002.10	HOSE - 1/4" BSP FS/F90 x 500mm	Slew Base
		74947231	HOSE KIT - PA Eco 55 (XTC Prop. Models)	
1	1	10.012.66	HOSE - 1" BSP FS/F90 x 5600mm	Flail Pipe
2	1	10.012.66	HOSE - 1" BSP FS/F90 x 5600mm	Flail Pipe
3	1	10.004.12	HOSE - 3/8" BSP FS/F90 x 600mm	Pump to ACV
4	1	10.001.21	HOSE - 1/4" BSP FS/FS x 1100mm	Lift Base
5	1	10.002.22	HOSE - 1/4" BSP FS/F90 x 1200mm	Lift Gland
6	1	10.001.28	HOSE - 1/4" BSP FS/FS x 1800mm	Reach Base
7	1	10.002.36	HOSE - 1/4" BSP FS/F90 x 2600mm	Reach Gland
8	2	10.001.53	HOSE - 1/4" BSP ST/ST x 4300mm	Angle Base/Gland
9	1	10.002.16	HOSE - 1/4" BSP ST/90 x 800mm	Slew Gland
10	1	10.006.10	HOSE - 1/2" BSP ST/90 x 500mm	ACV to RCV
11	1	10.012.15	HOSE - 1" BSP ST/90 x 750mm	Valve to Tank
12	1	10.002.16	HOSE - 1/4" BSP ST/90 x 800mm	Slew Base
13	1	10.012.20	HOSE - 1" BSP ST/90 SWEPT x 1000mm	

ANGLING RAM ASSEMBLY

Module:
43317.07



REF.	QTY.	PART No.	DESCRIPTION
		43317.07	ANGLING RAM ASSEMBLY
1	1	43317.33	BARREL
2	1	43317.31	PISTON
3	1	43317.32	GLAND HOUSING
4	1	43317.35	PISTON ROD
5	1	8600301	O RING
6	1	42775.01	DOWEL
7	1	8629156	PISTON SEAL
8	1	8629157	PISTON GUIDE RING
9	1	8600306	O RING
10	1	8629225	ROD GLAND SEAL
11	1	8629208	ROD SCRAPER RING
12	4	08.297.04	BUSH
13	2	8650103	BONDED SEAL
14	2	0901121	GREASER
15	2	8581115	ADAPTOR
		43317.01	SEAL KIT

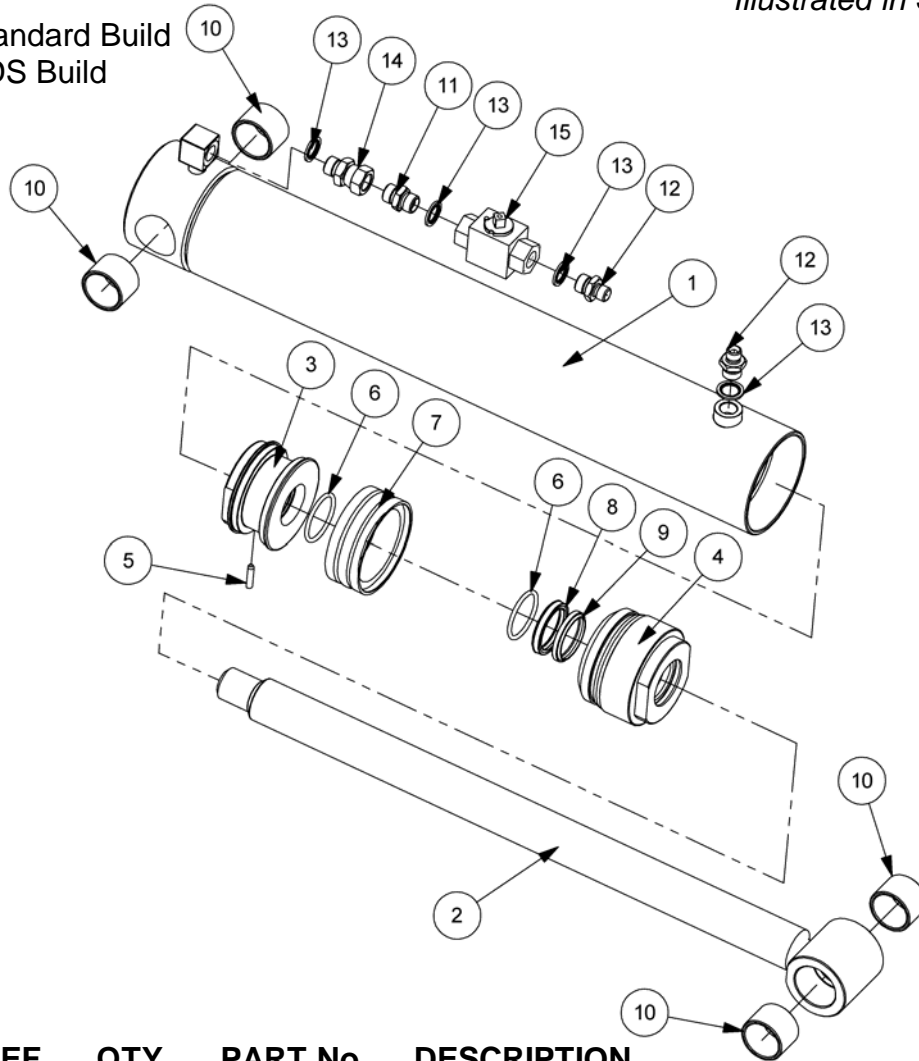
LIFT RAM ASSEMBLY

Module:

45895.02 – Standard Build

45895.07 – EDS Build

Illustrated in Standard Build

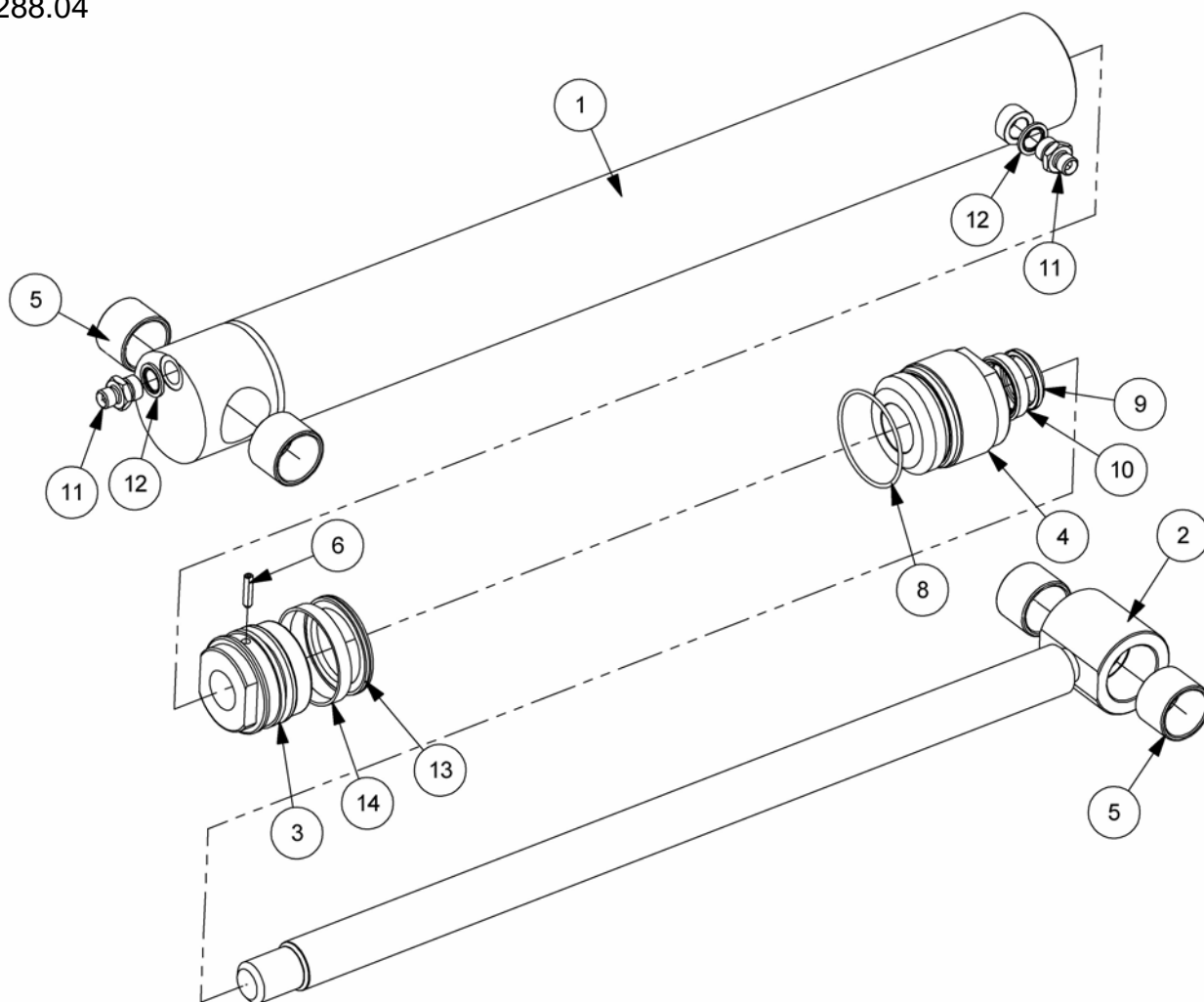


REF.	QTY.	PART No.	DESCRIPTION
		45895.02	LIFT RAM ASSEMBLY - Std. Models
		45895.07	LIFT RAM ASSEMBLY - EDS Models
		45895.04	BASIC RAM ASSEMBLY - Std. Build
		45895.06	BASIC RAM ASSEMBLY - EDS Build
1	1	45895.31	BARREL - Std. Build
*	1	45895.41	BARREL - EDS Build
2	1	45275.02	PISTON ROD
3	1	43315.31	PISTON
4	1	43315.32	GLAND HOUSING
5	1	42775.01	DOWEL
6	2	8600301	O RING
7	1	8638742	PISTON SEAL
8	1	8629225	GLAND SEAL
9	1	8629208	SCRAPER RING
*	1	8600742	O RING - <i>EDS Build only</i>
10	4	08.297.05	BUSH
11	1	6000113	ADAPTOR
12	2	8581115	ADAPTOR
13	4	8650103	BONDED SEAL
14	1	8581178	ADAPTOR
15	1	08.200.01	ISOLATING VALVE
*	1	05.433.01	PLUG - <i>EDS Build only</i>

* Not illustrated

REACH RAM ASSEMBLY

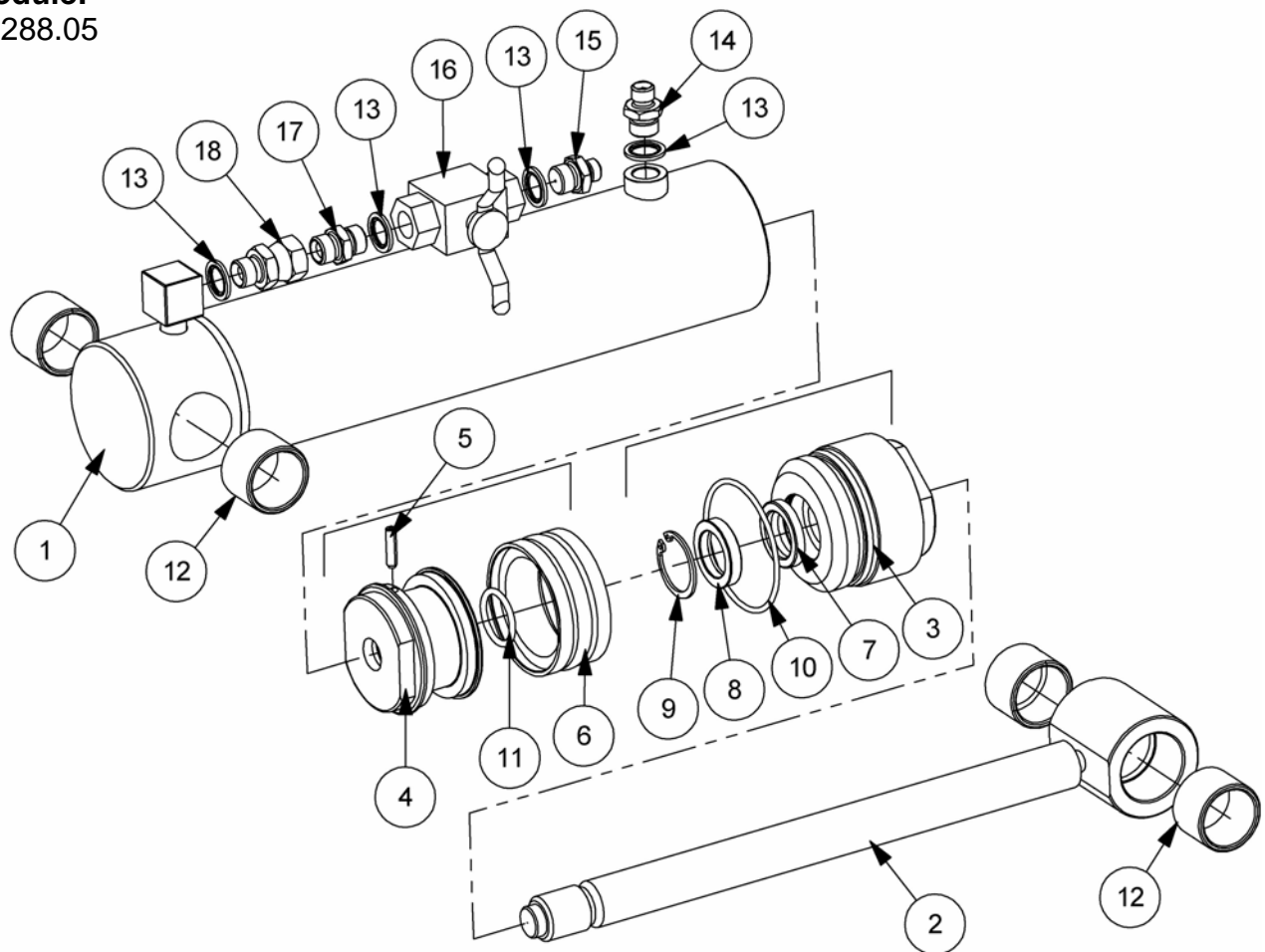
Module:
45288.04



REF.	QTY.	PART NO.	DESCRIPTION
		45288.04	REACH RAM ASSEMBLY
1	1	45273.04	BARREL
2	1	45440.01	ROD
3	1	45441.02	PISTON
4	1	45441.01	GLAND HOUSING
5	4	08.297.05	BUSH
6	1	42775.01	DOWEL
7	1	8600125	O RING
8	1	8600429	O RING
9	1	8629230	SCAPER RING
10	1	8629229	ROD SEAL
11	2	8581115	ADAPTOR
12	2	8650103	BONDED SEAL
13	1	8629189	PISTON SEAL
14	1	8629190	GUIDE RING

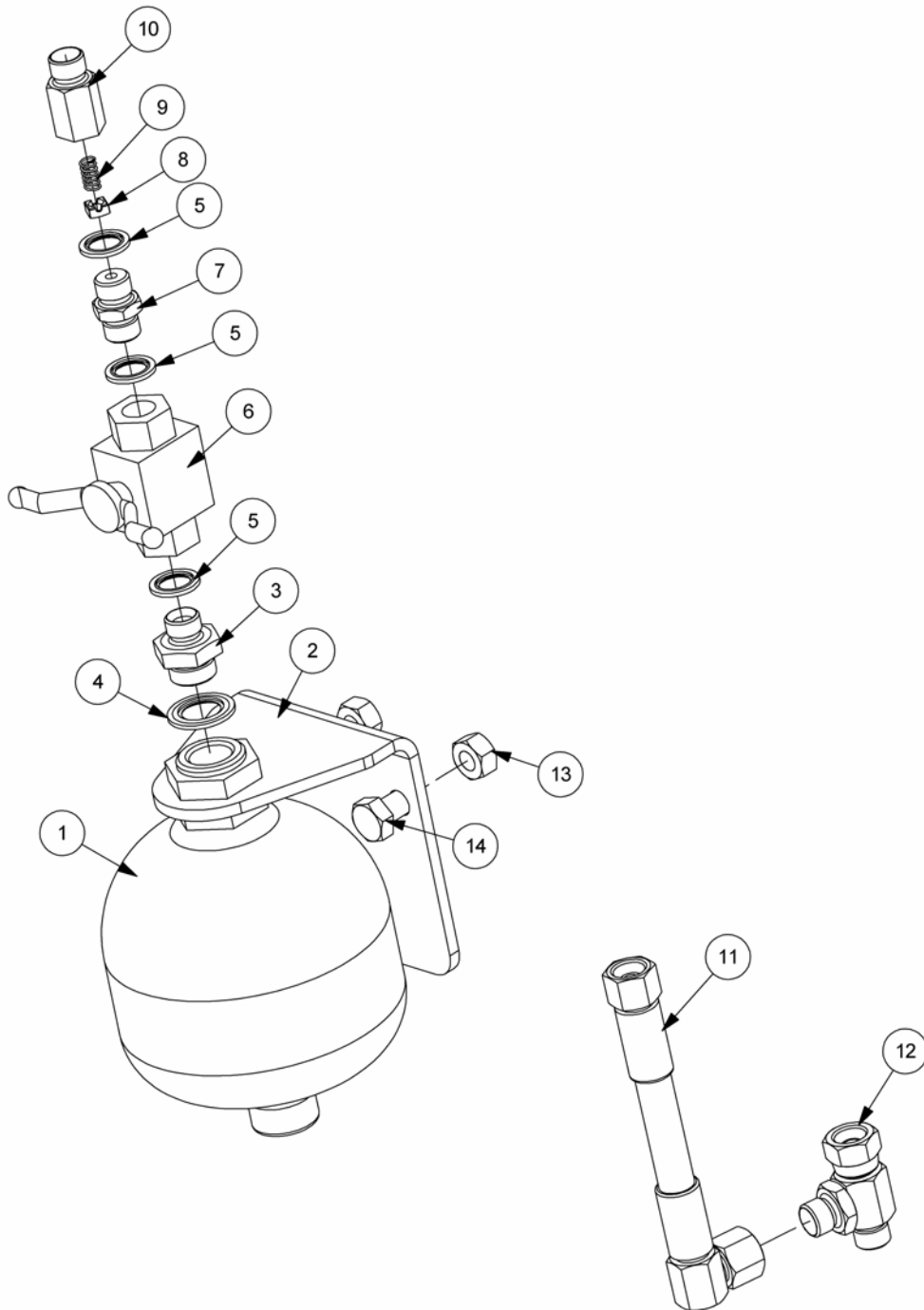
SLEW RAM ASSEMBLY

Module:
45288.05



REF.	QTY.	PART NO.	DESCRIPTION
		45288.05	SLEW RAM ASSEMBLY
1	1	45273.05	BARREL
2	1	45275.01	PISTON ROD
3	1	45283.01	GLAND HOUSING
4	1	45276.01	PISTON
5	1	42775.01	DOWEL
6	1	8638740	PISTON SEAL
7	1	8629149	SCRAPER RING
8	1	8629148	GLAND SEAL
9	1	0416240	INTERNAL CIRCLIP
10	1	8700740	O RING
11	1	8600121	O RING
12	4	08.297.05	BUSH
13	4	8650103	BONDED
14	1	8581115	ADAPTOR
15	1	8130066	ADAPTOR RESTRICTOR - 1.15 'M'
16	1	08.200.01	ISOLATING VALVE
17	1	6000113	ADAPTOR
18	1	8581178	SWIVEL ADAPTOR
		8699525	SEAL KIT

Module:
8126326

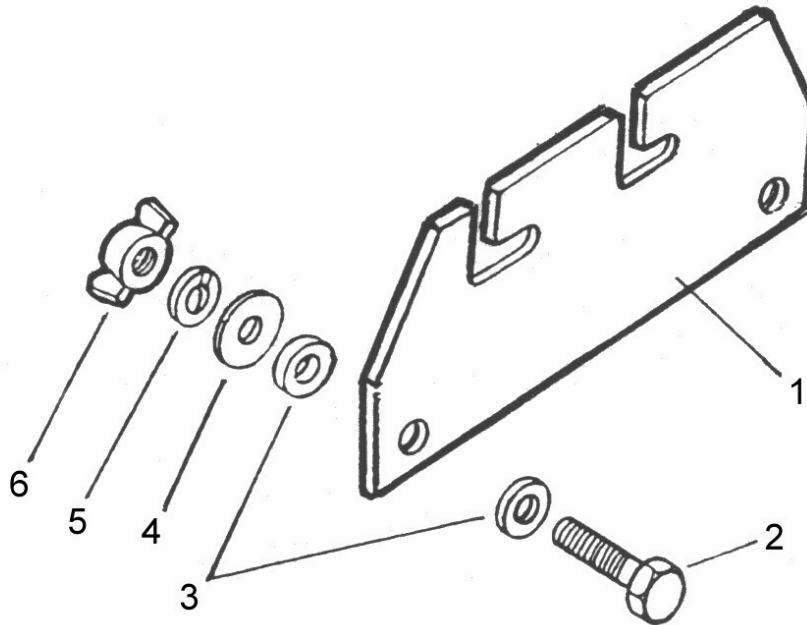


LIFT FLOAT KIT (Optional Extra)

REF.	QTY.	PART NO.	DESCRIPTION
		8126326	LIFT FLOAT KIT
1	1	8126044	ACCUMULATOR
2	1	8126318	BRACKET
3	1	G2410380	ADAPTOR
4	1	8650322	BONDED SEAL
5	3	8650103	BONDED SEAL
6	1	08.200.01	ISOLATING VALVE
7	1	8581209	ADAPTOR
8	1	8123041	RESTRICTOR DISC - 1.15 RED
9	1	8116011	SPRING
10	1	8581346	ADAPTOR RESTRICTOR BODY
11	1	10.004.20	HOSE - 3/8" BSP FS/F90 x 1000mm
12	1	11.068.69	ADAPTOR TEE
13	2	9143006	SELF-LOCKING NUT
14	2	9313056	SETSCREW

CONTROL UNIT MOUNTING

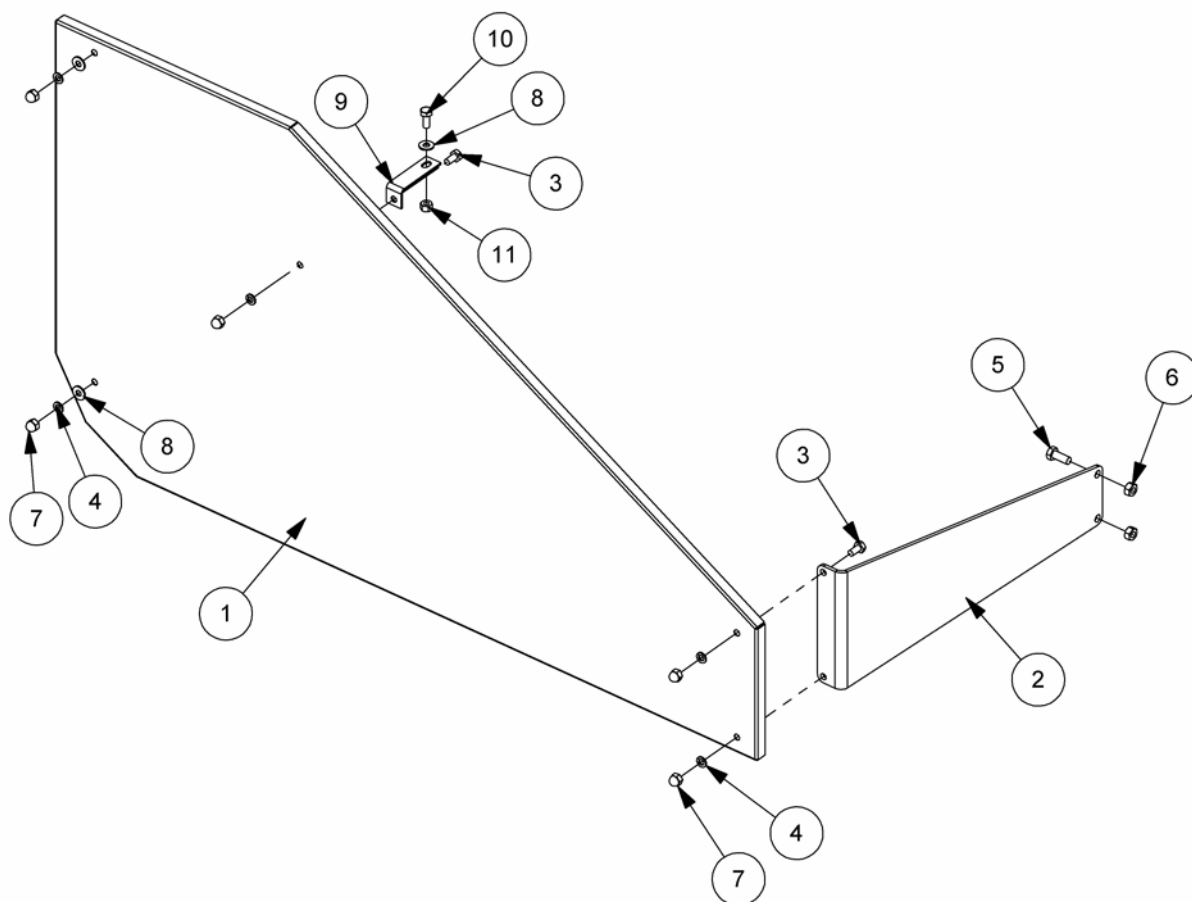
Modules:
7313282



REF.	QTY.	PART NO.	DESCRIPTION
A		7313282	CABLE CONTROL UNIT MOUNTING
1	1	42491.01	BRACKET
2	2	9313094	SETSCREW
3	4	03.152.01	RUBBER WASHER
4	2	9100104	PLAIN WASHER
5	2	9100204	SPRING WASHER
6	2	9193004	WINGNUT

REAR COVER ASSEMBLY

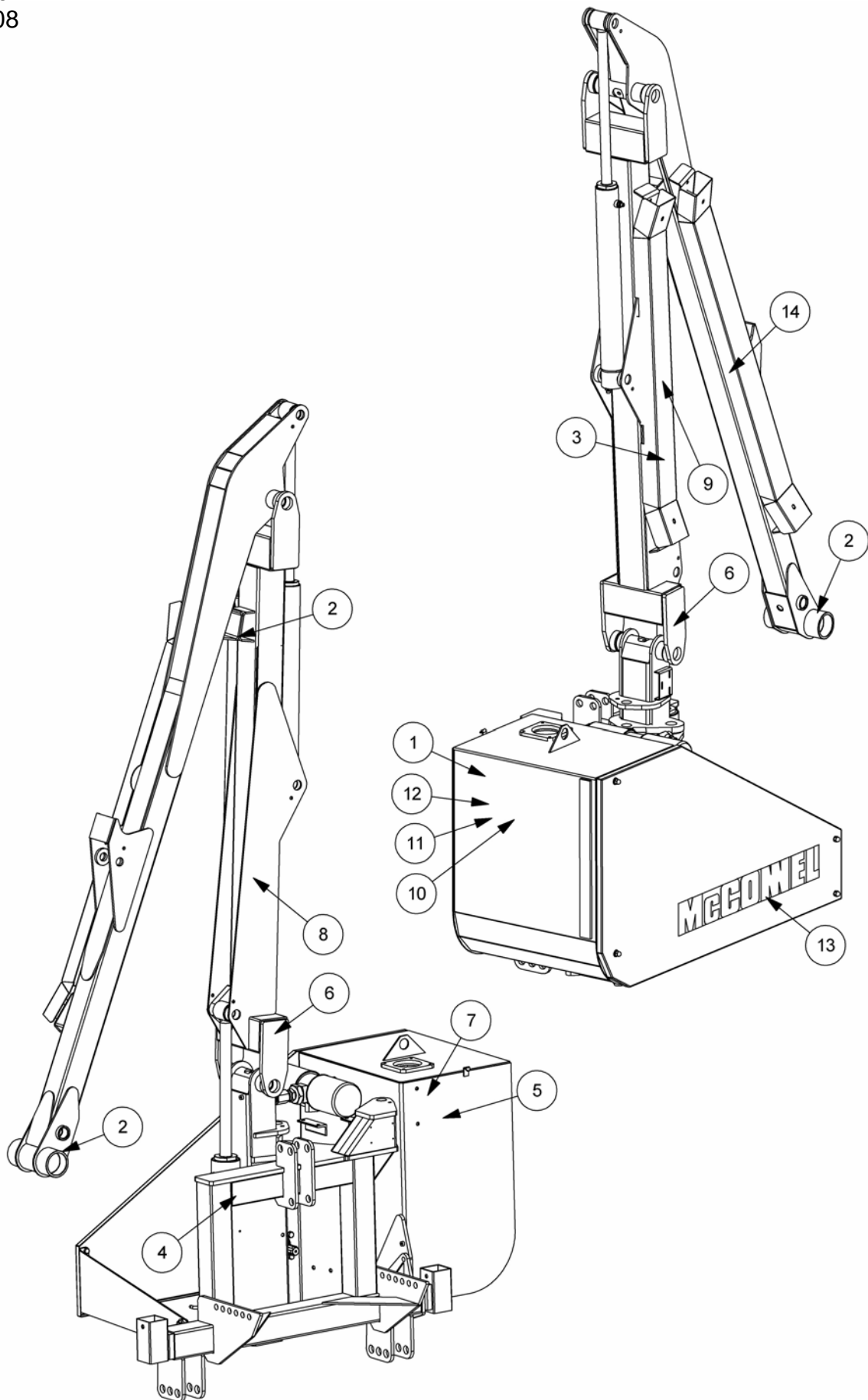
Module:
7494714



REF.	QTY.	PART NO.	DESCRIPTION
		7494714	REAR COVER ASSEMBLY
1	1	21606.01	REAR COVER
2	1	21607.01	COVER SUPPORT
3	2	9313045	SETSCREW
4	4	9100205	SPRING WASHER
5	2	9313066	SETSCREW
6	2	9143006	SELF-LOCKING NUT
7	4	9100025	DOME NUT
8	2	9100105	FLAT WASHER
9	1	21693.01	STAY BRACKET
10	1	9313055	SETSCREW
11	1	9143005	SELF-LOCKING NUT

MACHINE DECALS

Module:
7494708

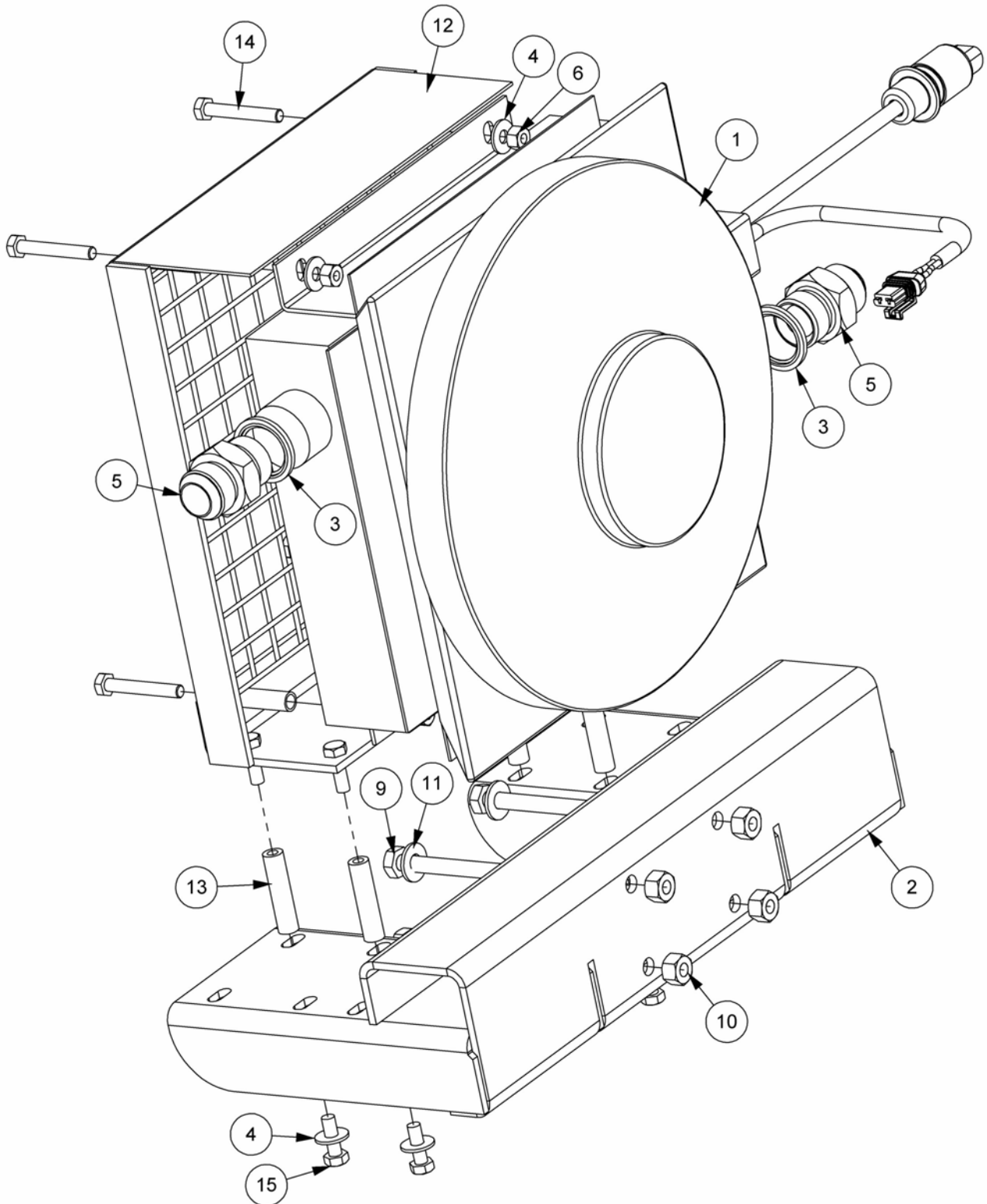


MACHINE DECALS

REF.	QTY.	PART NO.	DESCRIPTION
		7494708	BASIC DECAL KIT
1	1	1290352	DECAL - VITAL SAFETY RULES
2	5	02962764	DECAL - PINCH POINT
3	1	1290571	DECAL - QUEENS AWARD
4	1	09.811.03	DECAL - PTO SPEED (500RPM)
5	1	7135295	DECAL - TIGHTEN CHECK CHAINS
6	2	1290074	DECAL - SLING HERE
7	1	1290023	DECAL - OIL FILTER
8	1	1290255	DECAL - McCONNEL
9	1	1290588	DECAL - McCONNEL SILVER
10	1	09.821.28	DECAL - MINI EURO
11	1	09.821.32	DECAL - MINI EURO
12	1	09.821.35	DECAL - COMBINED EURO
13	1	1290527	DECAL - McCONNEL
14	1	1290549	DECAL - PA50
	1	1290594	DECAL - PA55

COOLER KIT ASSEMBLY (JIC)

Module:
7451831



COOLER KIT ASSEMBLY (JIC)

REF.	QTY.	PART No.	DESCRIPTION
		7451831	COOLER KIT ASSEMBLY - JIC Build
1	1	8402379	OIL COOLER c/w THERMO SWITCH AND LOOM
2	1	21380.03	COOLER BRACKET
3	2	8650108	BONDED SEAL
4	8	9100104	FLAT WASHER
5	2	8581256	ADAPTOR (JIC)
6	4	9143004	SELF-LOCKING NUT
7	1	08.961.38	HOSE - 1 5/16" JIC FS/F90 x 2700mm
8	1	08.961.23	HOSE - 1 5/16" JIC FS/F90 x 1600mm
9	4	05.292.15	BOLT
10	4	9143005	SELF-LOCKING NUT
11	4	9100105	FLAT WASHER
12	1	8402319	COOLER MOUNTING
13	4	7196053	THREADED SPACER
14	4	9213114	BOLT
15	4	9317054	SETSCREW



McConnel Limited, Temeside Works, Ludlow, Shropshire SY8 1JL. England.
Telephone: 01584 873131. Facsimile: 01584 876463. www.mcconnel.com