

Publication 580  
February 2009  
Part No. 41571.80  
Revised: 25.09.18



# McCONEL

# SR460

## FLEX WING MOWER

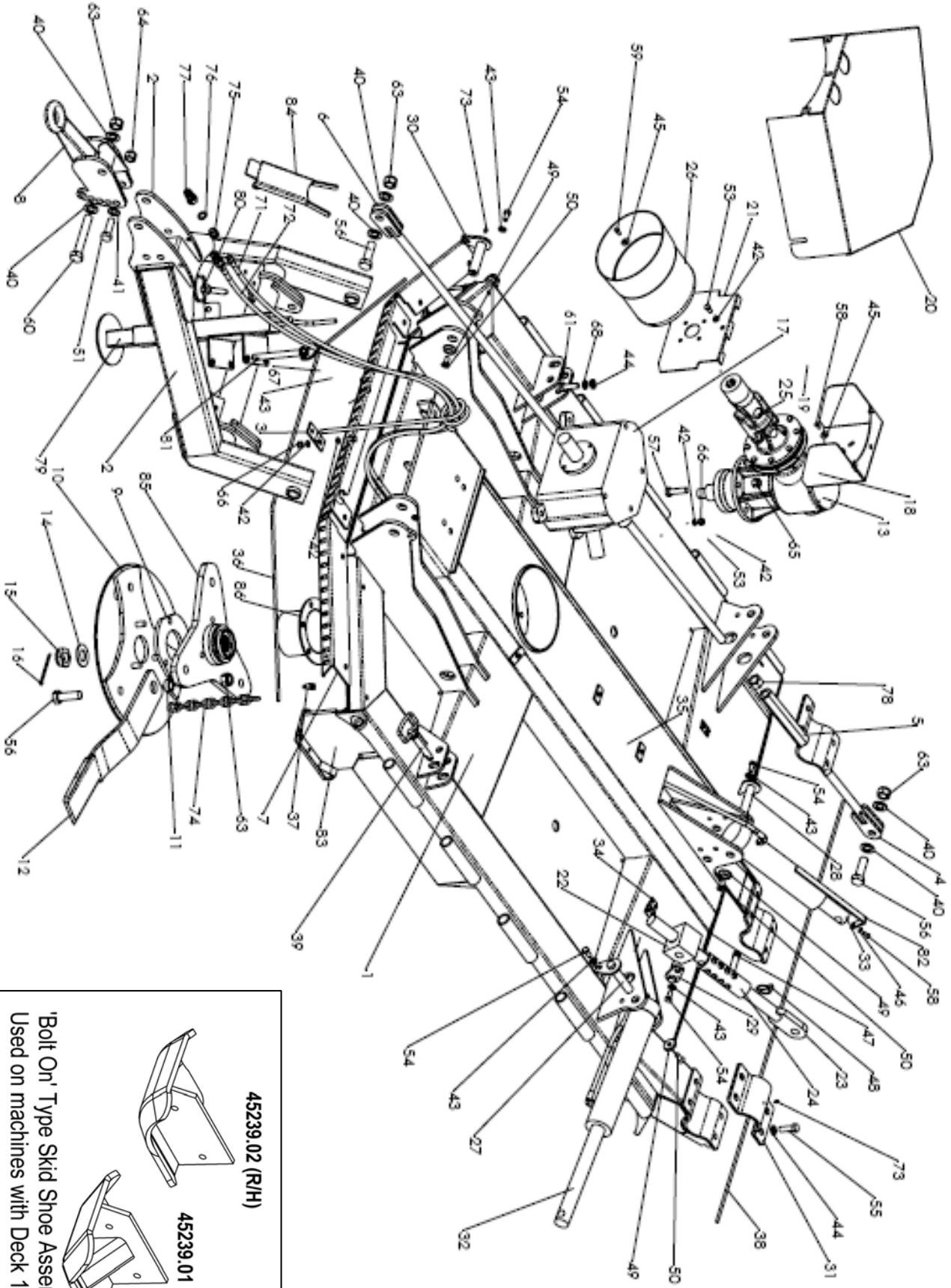
### Parts Manual



# CONTENTS

---

Main Frame Assembly	1
Rear Axles Assembly	11
Wing Deck Assembly	15
Wing Drive Shaft – Walterscheid (2 Plate)	21
Wing Drive Shaft – Walterscheid (4 Plate)	25
Wing Drive Shaft - Bondioli	29
540RPM Centre Gearbox - Walterscheid	33
540RPM LH Wing Gearbox - Walterscheid	37
540RPM RH Wing Gearbox - Walterscheid	41
1000RPM Centre Gearbox - Walterscheid	45
1000RPM LH Wing Gearbox - Walterscheid	49
1000RPM RH Wing Gearbox - Walterscheid	53
540RPM Splitter Box - Walterscheid	57
1000RPM Splitter Box – Walterscheid ( <i>Builds to 04/12</i> )	59
1000RPM Splitter Box – Walterscheid ( <i>Builds 04/12 onward</i> )	61
1000RPM Input PTO - Walterscheid	63
540RPM Input PTO - Walterscheid	67
1000RPM Centre Coupling - Walterscheid	71
540RPM Centre Coupling - Walterscheid	73
540RPM Wing & Centre Gearboxes - Bondioli	75
1000RPM Wing & Centre Gearboxes - Bondioli	79
540RPM Splitter Box - Bondioli	83
1000RPM Splitter Box - Bondioli	85
1000RPM Input PTO - Bondioli	87
540RPM Input PTO - Bondioli	89
1000RPM Centre Coupling - Bondioli	91
540RPM Centre Coupling - Bondioli	93
Safety Warning & Information Decals	94
<b>Options</b>	
2 Blade / Pan Option	97
4 Blade / Pan Option	100
Shredder Blades	101
Universal Hitch – Low Hitch Set-Up	102
Universal Hitch – High Hitch Set-Up	103
K80 Hitch	104



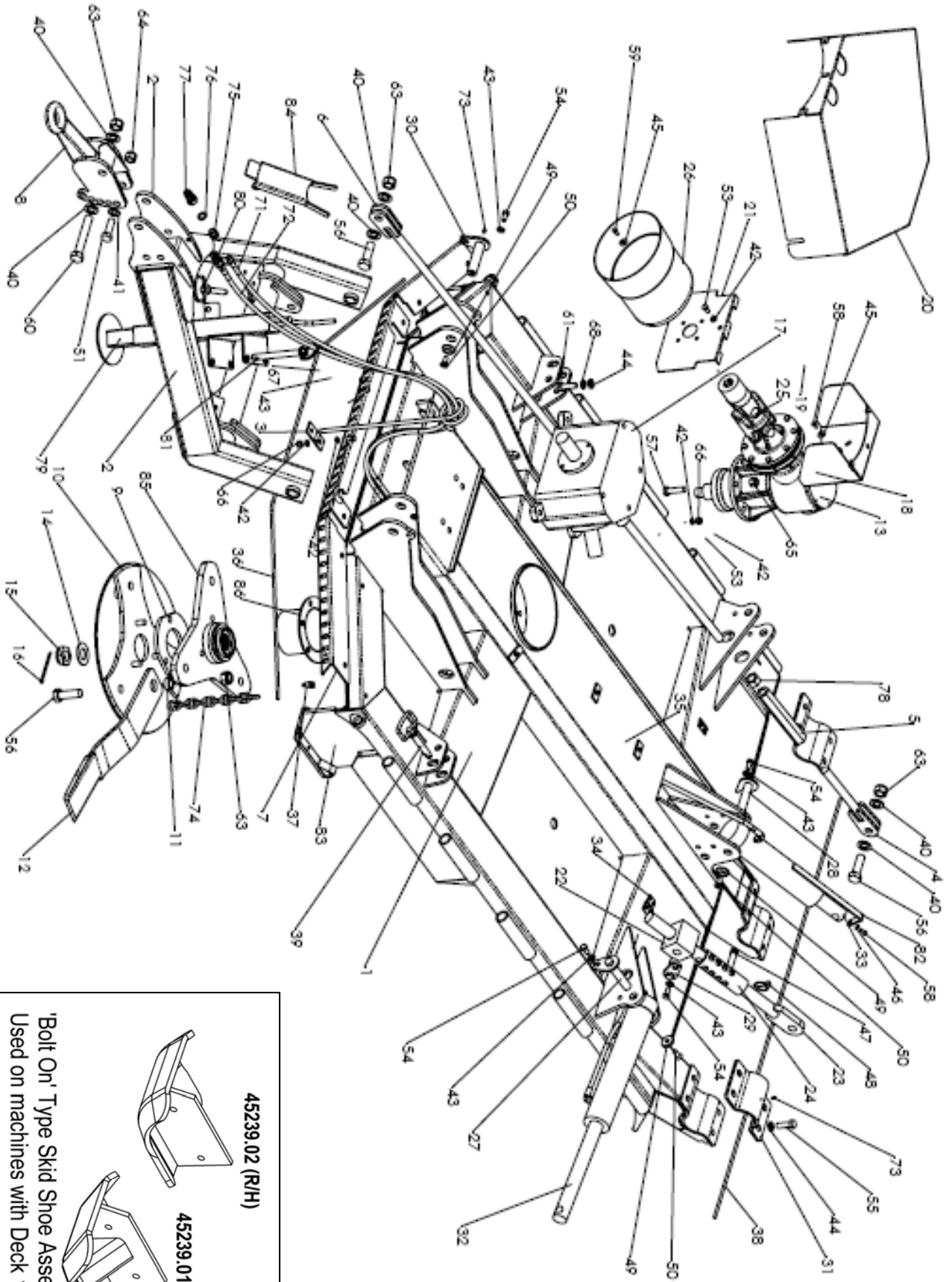
**45239.02 (R/H)**

**45239.01 (L/H)**

'Bolt On' Type Skid Shoe Assemblies  
Used on machines with Deck 180599

**MAIN FRAME ASSEMBLY**

<b>REF.</b>	<b>PART No.</b>	<b>ENGLISH DESCRIPTION</b>	<b>FRENCH DESCRIPTION</b>
1	1770658E 180599	Centre section (Weld On Shoe Type) Centre section (Bolt On Shoe Type)	Section centrale (Souder le type de chaussures) Section centrale (Boulon le type de chaussures)
2	1770659A-A 1770659E-A OPT0616	Draw bar Euro draw bar Drawbar repair kit	Barre de traction Barre de traction Euro réparation
3	1770692	Hose guide	Guide de tuyau
4	1770664	Short tie bar	Tirant court
5	1770675A	Turnbuckle	Tendeur à vis
6	1770665	Long tie bar	Tirant long
7	1800150	Front skirt	Patte de jupe avant
8	1770681 1800025 6770627 6770628 4600139	Fixed towing assy Swivel towing assy Fixed eye replacement Swivel eye replacement Nylon washer	Anneau de remorquage Anneau de remorquage pivotant Anneau de remorquage soudé Anneau de remorquage pivotant Rondelle
9	1770604-3	Blade carrier spacer	Entretoise de porte-lame
10	1770630 7770726	Lower blade carrier Anti scalp disc	Porte-lame inférieur Disque de protection
11	7770707	Blade bush	Coussinet de lame
12	7770700	RH blade	Lame de droite
13	5770429 5770412 5770004 5770005	Gearbox 540 (Walterscheid) Gearbox 1000 (Walterscheid) Gearbox 540 (Bondioli) Gearbox 1000 (Bondioli)	Boîte d'engrenages 540 trs/min Boîte d'engrenages 1000 trs/min Boîte d'engrenages 540 trs/min Boîte d'engrenages 1000 trs/min
14	- - 5771410 5771412	Domed washer 540 RPM (Walterscheid) Domed washer 1000 RPM (Walterscheid) Domed washer 540 RPM (Bondioli) Domed washer 1000 RPM (Bondioli)	Rondelle convexe 540 trs/min Rondelle convexe 1 000 trs/min Rondelle convexe 540 trs/min Rondelle convexe 1 000 trs/min
15	- - 5771411 5771409	Castle nut 1000 RPM (Walterscheid) Castle nut 540 RPM (Walterscheid) Castle nut 1000 RPM (Bondioli) Castle nut 540 RPM (Bondioli)	Écrou 1 000 trs/min Écrou 540 trs/min Écrou 1 000 trs/min Écrou 540 trs/min
16	2770477	Split pin	Goupille fendue
17	5770428 5770432 5770001 5769999A	Splitter gearbox 540 (Walterscheid) Splitter gearbox 1000 (Walterscheid) Splitter gearbox 540 (Bondioli) Splitter gearbox 1000 (Bondiloi)	Boîte de transfert 540 trs/min Boîte de transfert 1000 trs/min Boîte de transfert 540 trs/min Boîte de transfert 1000 trs/min
18	1770669	Guard	Protection
19	1770670	Bracket	Support
20	1800011	Centre guard	Protection centrale
21	1770668 1800010	Back plate (Bondioli) Back plate (Walterscheid)	Plaque arrière Plaque arrière
22	1770641	Pivot block	Bloc pivot
23	1770623A	Height link bar	Barre de réglage de hauteur
24	1770639A	Height control sleeve	Manchon de contrôle de hauteur
25	5770445	Centre coupling 540 RPM (Walterscheid)	Accouplement central 540 trs/min
25	5770416	Centre coupling 1000 RPM (Walterscheid)	Accouplement central 1000 trs/min
25	5770030A	Centre coupling 540 RPM (Bondioli)	Accouplement central 540 trs/min
25	5770223	Centre coupling 1000 RPM (Bondioli)	Accouplement central 1000 trs/min
26	5770434	Guard-Walterscheid	Protection
26	5770106	Guard-Bondiloi	Protection
27	1777362	Pin	Broche
28	1770682	Pin	Broche



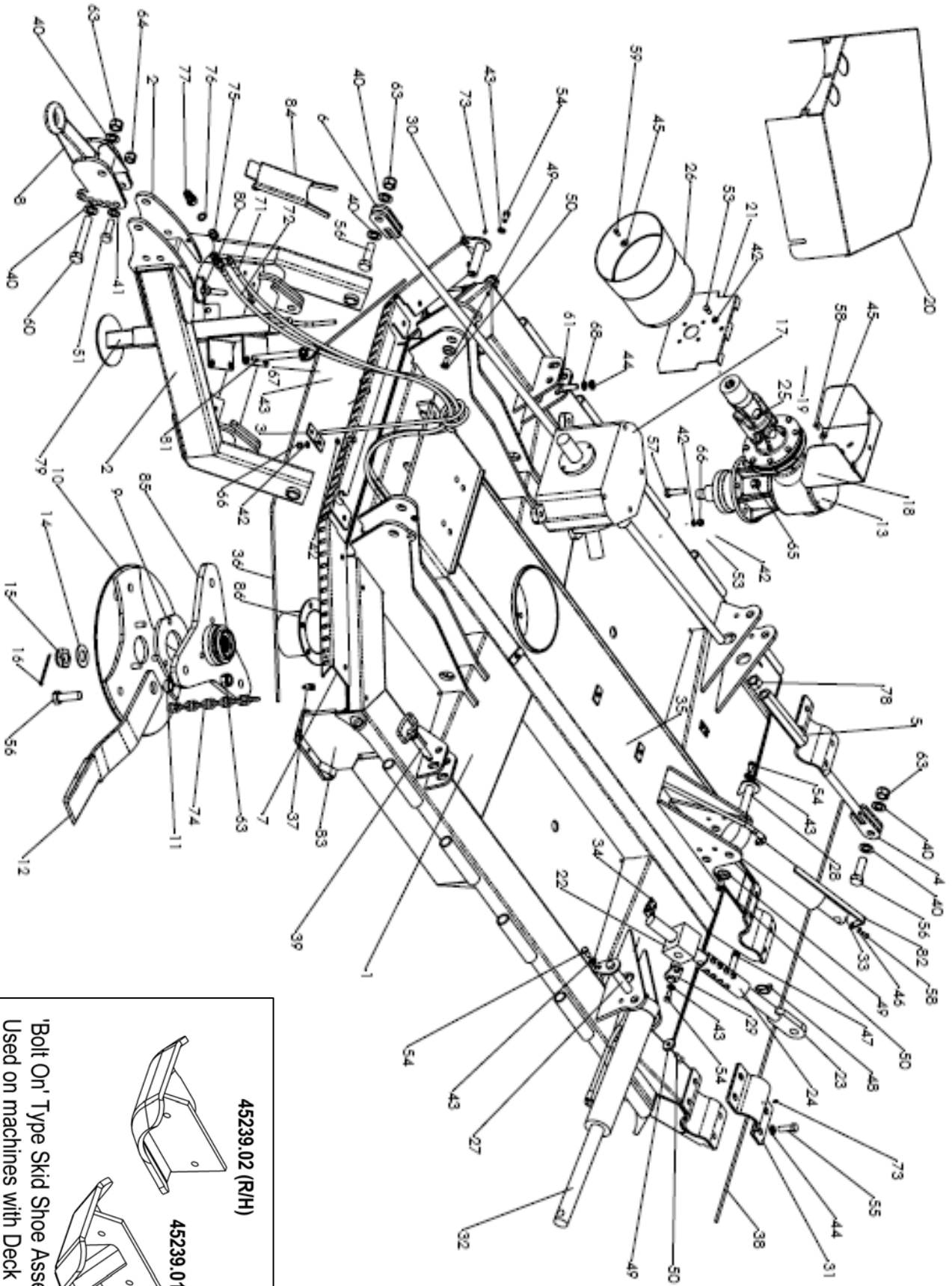
**45239.02 (R/H)**

**45239.01 (L/H)**

'Bolt On' Type Skid Shoe Assemblies  
Used on machines with Deck 180599

**MAIN FRAME ASSEMBLY**

<b>REF.</b>	<b>PART No.</b>	<b>GERMAN DESCRIPTION</b>	<b>DANISH DESCRIPTION</b>
1	1770658E 180599	Mittesektion (Schweißarbeiten am Schuhtyp) Mittesektion (Bolzen auf Schuh-Typ)	Midtersektion (Svejse på Shoe Type) Midtersektion (Bolt på sko-type)
2	1770659A-A 1770659E-A OPT0616	Untenanhängung Obenanhängung reparieren	Lavt træk Højt træk Rep. kit
3	1770692	Schlauch halter	Slangeholder
4	1770664	Gewindestange Kurz	Gevindstang kort
5	1770675A	Justierung	Justering
6	1770665	Gewindestange Lang	Gevindstang lang
7	1800150	Kettenhalter	Kædeholder
8	1770681 1800025 6770627 6770628 4600139	Zugauge Kpl. Zugauge drehbar Auge Schweissteil Zugauge drehbar Scheibe	Trækøje kpl. Trækøje drejbar Øje svejsedel Trækøje drejbar Skive
9	1770604-3	Distanzscheibe	Afstandsskive
10	1770630 7770726	Messerhalter Unten Teller	Knivholder nederst Tallerken
11	7770707	Messerbuchse	Knivbøsning
12	7770700	RH Messer	RH Kniv
13	5770429 5770412 5770004 5770005	Getriebe 540 RPM Getriebe 1000 RPM Getriebe 540 RPM Getriebe 1000 RPM	Gearkasse 540 RPM Gearkasse 1000RPM Gearkasse 540 RPM Gearkasse 1000RPM
14	- - 5771410 5771412	Scheibe 540 RPM Scheibe 1000 RPM Scheibe 540 RPM Scheibe 1000 RPM	Skive 540 RPM Skive 1000 RPM Skive 540 RPM Skive 1000 RPM
15	- - 5771411 5771409	Mutter 1000 RPM Mutter 540 RPM Mutter 1000 RPM Mutter 540 RPM	Møtrik 1000 RPM Møtrik 540 RPM Møtrik 1000 RPM Møtrik 540 RPM
16	2770477	Splint	Split
17	5770428 5770432 5770001 5769999A	Verteilergetriebe 540 RPM Verteilergetriebe 1000 RPM Verteilergetriebe 540 RPM Verteilergetriebe 1000 RPM	Fordelergearkasse 540 RPM Fordelergearkasse 1000 RPM Fordelergearkasse 540 RPM Fordelergearkasse 1000 RPM
18	1770669	Schutz	Beskyttelse
19	1770670	Halter	Holder
20	1800011	Deckel	Låg
21	1770668 1800010	Befestigungsplatte Befestigungsplatte	Befæstigelsesplade Befæstigelsesplade
22	1770641	Block	Blok
23	1770623A	Höhejustierung	Højdejustering
24	1770639A	Stop	Stop
25	5770445	Kupplung Mitte 540 RPM	Kobling midter 540 RPM
25	5770416	Kupplung Mitte 1000 RPM	Kobling midter 1000 RPM
25	5770030A	Kupplung Mitte 540 RPM	Kobling midter 540 RPM
25	5770223	Kupplung Mitte 1000 RPM	Kobling midter 1000 RPM
26	5770434	Schutz	Beskyttelse
26	5770106	Schutz	Beskyttelse
27	1777362	Bolz	Pløk
28	1770682	Bolz	Pløk



**45239.02 (R/H)**

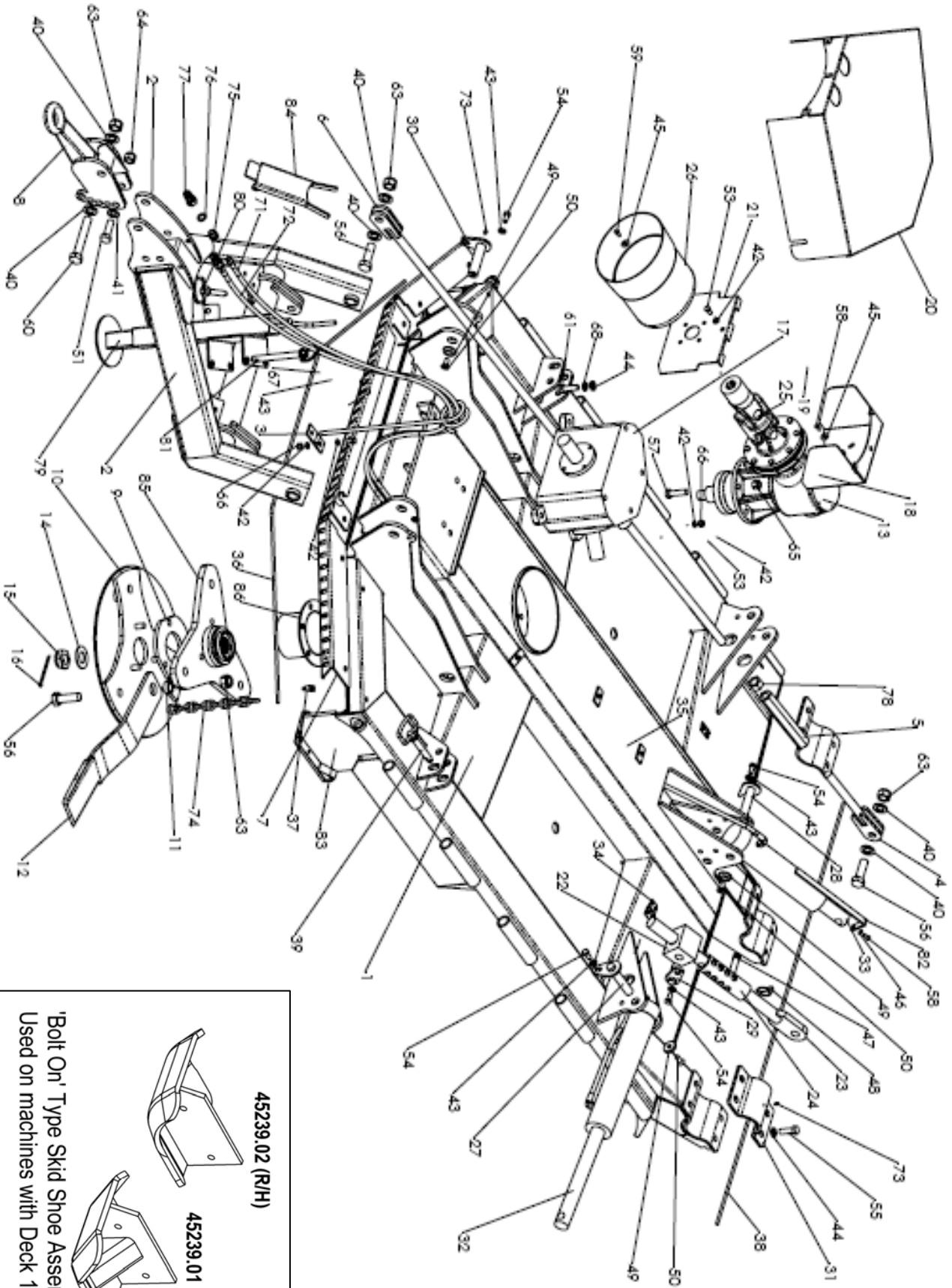
**45239.01 (L/H)**

'Bolt On' Type Skid Shoe Assemblies  
Used on machines with Deck 180599

**MAIN FRAME ASSEMBLY**

REF.	PART No.	ENGLISH DESCRIPTION	FRENCH DESCRIPTION
29	1770684	Pin	Broche
30	1770683	Pin	Broche
31	1770608A	Axle U bracket	Support d'axe en U
32	3570634	Wing ram	Vérin latéral
	3570634W	Seal kit	Ensemble de joints d'étanchéité
33	3570635	Height ram	Vérin de hauteur
	3570661W	Seal kit	Ensemble de joints d'étanchéité
	3570658	Breather	Évent
34	3870631	Single hose clamp	Collier de serrage simple
35	3870632	Double hose clamp	Collier de serrage double
36	6770908	Wire rope 1875mm	Câble de 1 875 mm
37	6770907	Rope clamp	Serre-câble
38	6770910	Wire rope 1665mm	Câble de 1 665mm
39	6310215	Pin	Broche
40	2770464	Washer	Rondelle
41	2770517	Washer	Rondelle
42	2770434	Washer	Rondelle
43	2770436	Washer	Rondelle
44	2770454	Washer	Rondelle
45	2770244	Washer	Rondelle
46	2770432	Washer	Rondelle
47	6310202	Pin	Broche
48	6310206	Lynch pin	Goupille de sécurité
49	1777209	Retaining washer	Rondelle de retenue
50	2770506	Screw	Vis
51	2770367	Bolt	Boulon
52	2770396	Screw	Vis
53	2770418	Screw	Vis
54	2770484	Screw	Vis
55	2770425	Bolt	Boulon
56	2770413	Bolt	Boulon
57	2770423	Bolt	Boulon
58	2770431	Screw	Vis
59	2770401	Screw	Vis
60	2770365	Bolt	Boulon
61	2770429	Bolt	Boulon
62	2770420	Screw	Vis
63	2770414	Nylock	Écrou Nylock
64	2770409	Nylock	Écrou Nylock
65	2770447	Nylock	Écrou Nylock
66	2770412	Nylock	Écrou Nylock
67	2770417	Nylock	Écrou Nylock
68	2770456	Spring washer	Rondelle élastique
69	3460100	Tee adaptor (Not shown)	Adaptateur en T (pas illustré)
70	3760050	Hose	Tuyau
71	3760048	Hose	Tuyau
72	3760049	Hose	Tuyau
73	2770467	Grease nipple	Embout de graissage
74	8770621	6 link chain	Chaîne à 6 maillons
75	3250154	Restrictor	Limiteur
76	3560072	Bonded seal	Joint composite
77	3750153	Quick release coupling	Raccord rapide





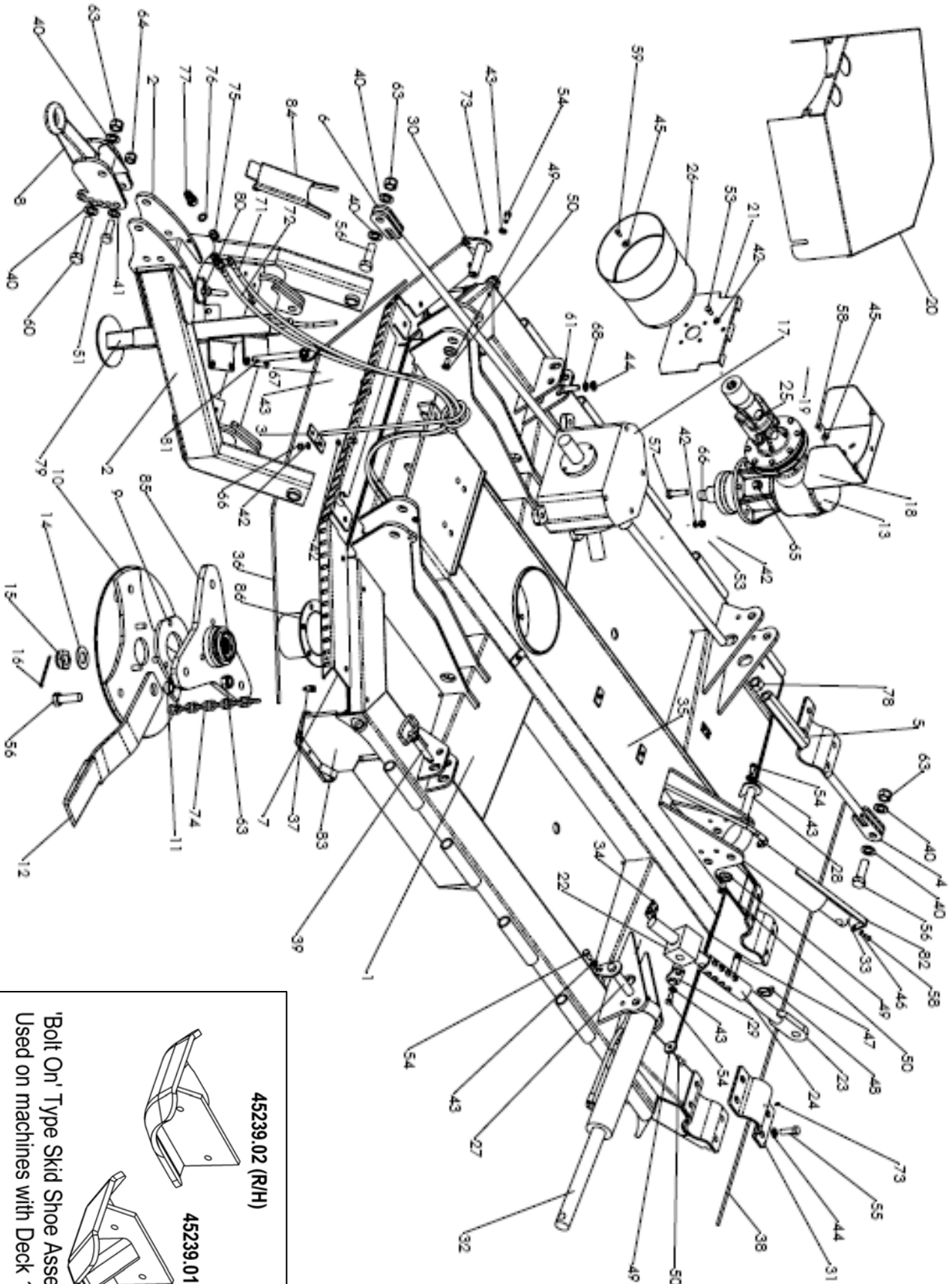
**45239.02 (R/H)**

**45239.01 (L/H)**

'Bolt On' Type Skid Shoe Assemblies  
Used on machines with Deck 180599

**MAIN FRAME ASSEMBLY**

<b>REF.</b>	<b>PART No.</b>	<b>GERMAN DESCRIPTION</b>	<b>DANISH DESCRIPTION</b>
29	1770684	Bolz	Pløk
30	1770683	Bolz	Pløk
31	1770608A	U-Konsole	U-Konsol
32	3570634	Zylinder Flügel	Cylinder vinge
	3570634W	Dichtungssatz	Pakningssæt
33	3570635	Zylinder Höhe	Cylinder højde
	3570661W	Dichtungssatz	Pakningssæt
	3570658	Entlüfter	Luftskrue
34	3870631	Halter Einzel	Holder enkelt
35	3870632	Halter Dobbelt	Holder dobbelt
36	6770908	Kabel 1875 mm	Wire 1875 mm
37	6770907	Kabelhalter	Wirelås
38	6770910	Kabel 1665 mm	Wire 1665 mm
39	6310215	Bolz Transport	Pløk transport
40	2770464	Scheibe	Skive
41	2770517	Scheibe	Skive
42	2770434	Scheibe	Skive
43	2770436	Scheibe	Skive
44	2770454	Scheibe	Skive
45	2770244	Scheibe	Skive
46	2770432	Scheibe	Skive
47	6310202	Bolz	Pløk
48	6310206	Ring Splint	Ringsplit
49	1777209	Scheibe	Skive
50	2770506	Schraube	Skruer
51	2770367	Bolz	Bolt
52	2770396	Schraube	Skruer
53	2770418	Schraube	Skruer
54	2770484	Schraube	Skruer
55	2770425	Bolz	Bolt
56	2770413	Bolz	Bolt
57	2770423	Bolz	Bolt
58	2770431	Schraube	Skruer
59	2770401	Schraube	Skruer
60	2770365	Bolz	Bolt
61	2770429	Bolz	Bolt
62	2770420	Schraube	Skruer
63	2770414	Lockmutter	Låsemøtrik
64	2770409	Lockmutter	Låsemøtrik
65	2770447	Lockmutter	Låsemøtrik
66	2770412	Lockmutter	Låsemøtrik
67	2770417	Lockmutter	Låsemøtrik
68	2770456	Federscheibe	Fjederskive
69	3460100	T-adapter	T-adapter
70	3760050	Schlauche	Slange
71	3760048	Schlauche	Slange
72	3760049	Schlauche	Slange
73	2770467	Schmiernippel	Smørenippel
74	8770621	Kette 6 teilig	Kæde 6 led
75	3250154	Drossel	Drossel
76	3560072	Dichtung	Tætning
77	3750153	Schnellwechsler	Lynkobling



**45239.02 (R/H)**

**45239.01 (L/H)**

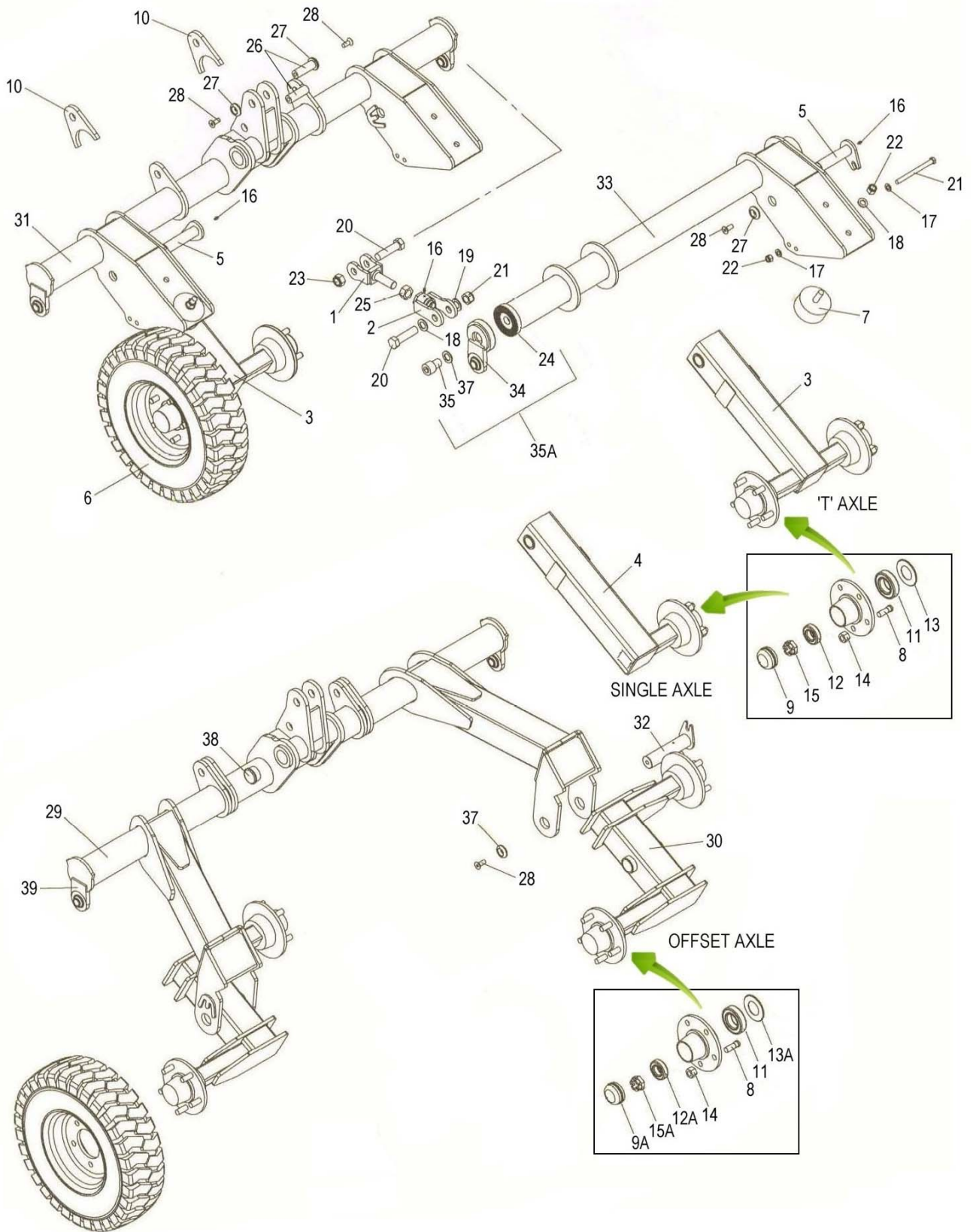
'Bolt On' Type Skid Shoe Assemblies  
Used on machines with Deck 180599

**MAIN FRAME ASSEMBLY**

<b>REF.</b>	<b>PART No.</b>	<b>ENGLISH DESCRIPTION</b>	<b>FRENCH DESCRIPTION</b>
78	2770585	Nut	Écrou
79	1770702	Jack	Béquille
	1770701	Euro jack	Béquille Euro
80	6310220	Pin	Broche
81	6310176	Pin	Broche
82	1777963	Height gauge	Jauge de hauteur
83	1770686	Centre foot (For 17770658E)	Pied central (Pour 17770658E)
	45239.01	L/H Skid Shoe Assembly (For 180599)	L/H Pied (Pour 180599)
	45239.02	R/H Skid Shoe Assembly (For 180599)	R/H Pied (Pour 180599)
84	1770689	PTO support	Support de prise de mouvement
	2770584	Bolt	Boulon
85	180363	Upper blade carrier (Walterscheid)	Porte-lame supérieur
85	1770602-3A	Upper blade carrier (Bondiloi)	Porte-lame supérieur
86	1770620	Shield	Bouclier
<b>REF.</b>	<b>PART No.</b>	<b>GERMAN DESCRIPTION</b>	<b>DANISH DESCRIPTION</b>
78	2770585	Mutter	Møtrik
79	1770702	Stützbein	Støtteben
	1770701	Stützbein Euro	Støtteben euro
80	6310220	Bolz	Pløk
81	6310176	Bolz	Pløk
82	1777963	Höhekontrol	Højdekontrol
83	1770686	Fuss Mitte (Für 17770658E)	Midterfod (For 17770658E)
	45239.01	L/H Fuss Mitte (Für 180599)	L/H Midterfod (For 180599)
	45239.02	R/H Fuss Mitte (Für 180599)	R/H Midterfod (For 180599)
84	1770689	PTO Halter	PTO holder
	2770584	Bolz	Bolt
85	180363	Messerhalter Oben	Knivholder øverst
85	1770602-3A	Messerhalter Oben	Knivholder øverst
86	1770620	Schütz	Beskyttelse

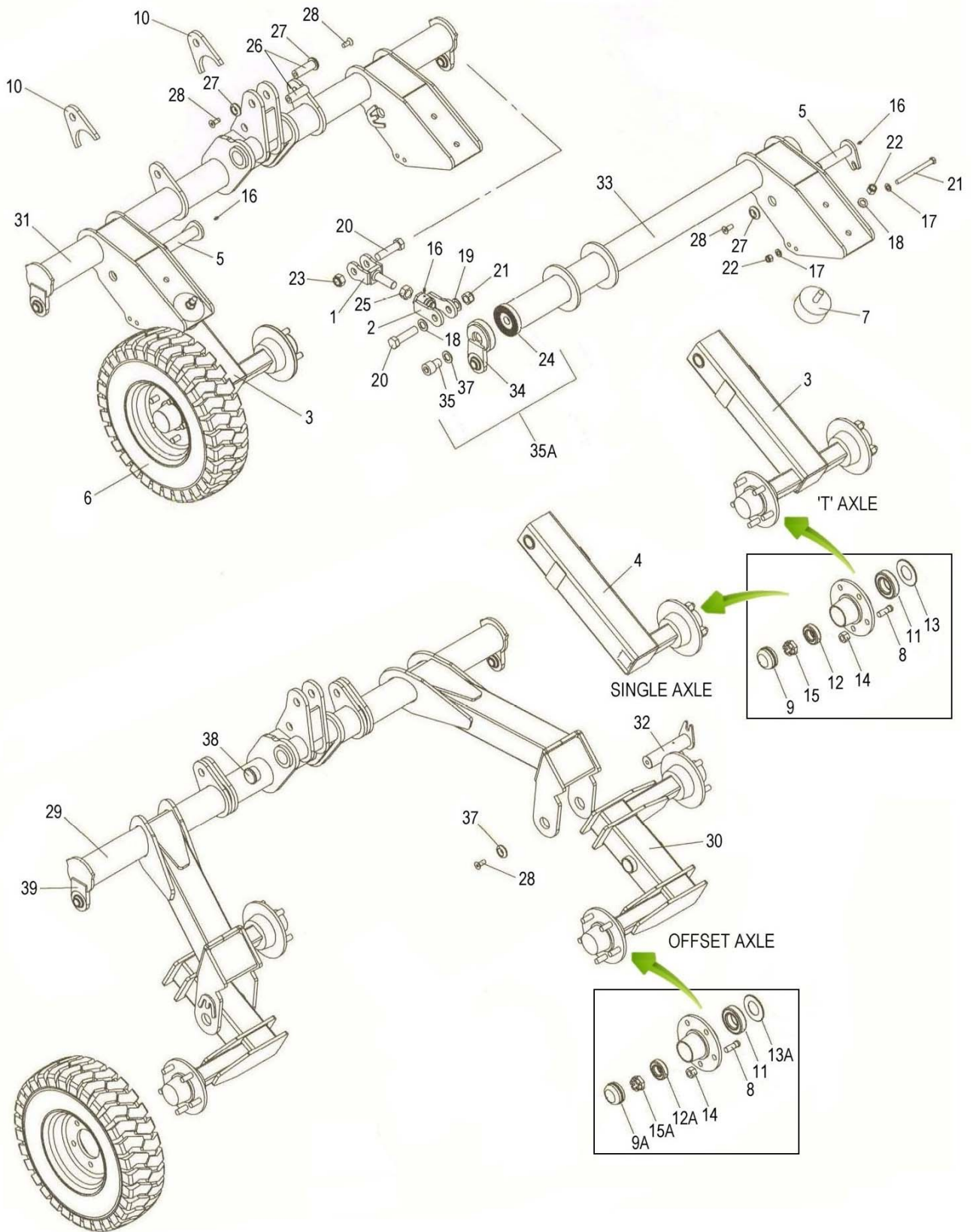
**STAR-CUT OPTION**

<b>REF.</b>	<b>PART No.</b>	<b>ENGLISH DESCRIPTION</b>	<b>FRENCH DESCRIPTION</b>
	46001	Star blade kit	couteau kit double
	46053	Blade carrier	Lame
	2770413	Bolt	Boulon
	2770414	Nut	Écrou
	7770707	Blade bush	Coussinet de lame
<b>REF.</b>	<b>PART No.</b>	<b>GERMAN DESCRIPTION</b>	<b>DANISH DESCRIPTION</b>
	46001	Dopple messer kit	Star cut kit
	46053	Messer	Kniv
	2770413	Bolz	Bolt
	2770414	Mutter	Møtrik
	7770707	Messerbuchse	Knivbøsning



**REAR AXLES ASSEMBLY**

<b>REF.</b>	<b>PART No.</b>	<b>ENGLISH DESCRIPTION</b>	<b>FRENCH DESCRIPTION</b>
1	1770672B	Inner axle link	Biellette intérieure
2	1770673B	Outer axle link	Biellette extérieure
3	1770585A	Double wheel arm	Support de roue double
4	1770584A	Single wheel arm	Support de roue simple
5	1770583	Pin	Broche
6	6770674	Wheel	Roue
6A	8579	Wide Wheel (not shown)	Roue
7	8770644	Rubber cushion	Coussinet en caoutchouc
8	6770579	Stud	Goujon
9	6770580	Cap	Chapeau
9A	6770587.01	Cap (Threaded)	Chapeau (Taraudé)
10	OPT0615	Axle repair kit	réparation
11	4770660	Bearing	Roulement
12	4770659	Bearing	Roulement
12A	6770587.02	Bearing	Roulement
13	4770661	Seal	Joint d'étanchéité
13A	6770587.03	Seal	Joint d'étanchéité
14	6770578	Nut	Écrou
15	6770583	Nut	Écrou
15A	6770587.06	Nut	Écrou
16	2770467	Grease nipple	Embout de graissage
17	2770454	Washer	Rondelle
18	2770351	Washer	Rondelle
19	2770436	Washer	Rondelle
20	2770358	Bolt	Boulon
21	2770405	Bolt	Boulon
22	2770417	Nut	Écrou
23	2770359	Nut	Écrou
24	6770626	Toothed Plate	Toothed Plate
25	2770587	Nut	Écrou
26	1778039	Pin	Broche
27	1777209	Washer	Rondelle
28	2770506	Screw	Vis
29	1770607D	Centre walking axle	Axe oscillant
30	1770585C	Walking arm	Bras oscillant
31	1770607C	Fixed centre axle	Axe central fixe
32	1770583B	Pin	Broche
	4600127-A	Bush	Bague
33	1770611B	LH axle	Axe de gauche
	1770612B	RH axle	Axe de droite
	1770637	Serrated disc	Serrated disc
34	1770609	End assy	Ensemble d'extrémité
35	2770596	Screw	Vis
35A	OPT0023	Repair kit	Nécessaire de réparation
37	1777208	Washer	Rondelle
38	8777509	Cap	Chapeau
39	6310227	Ball end	Extrémité à bille

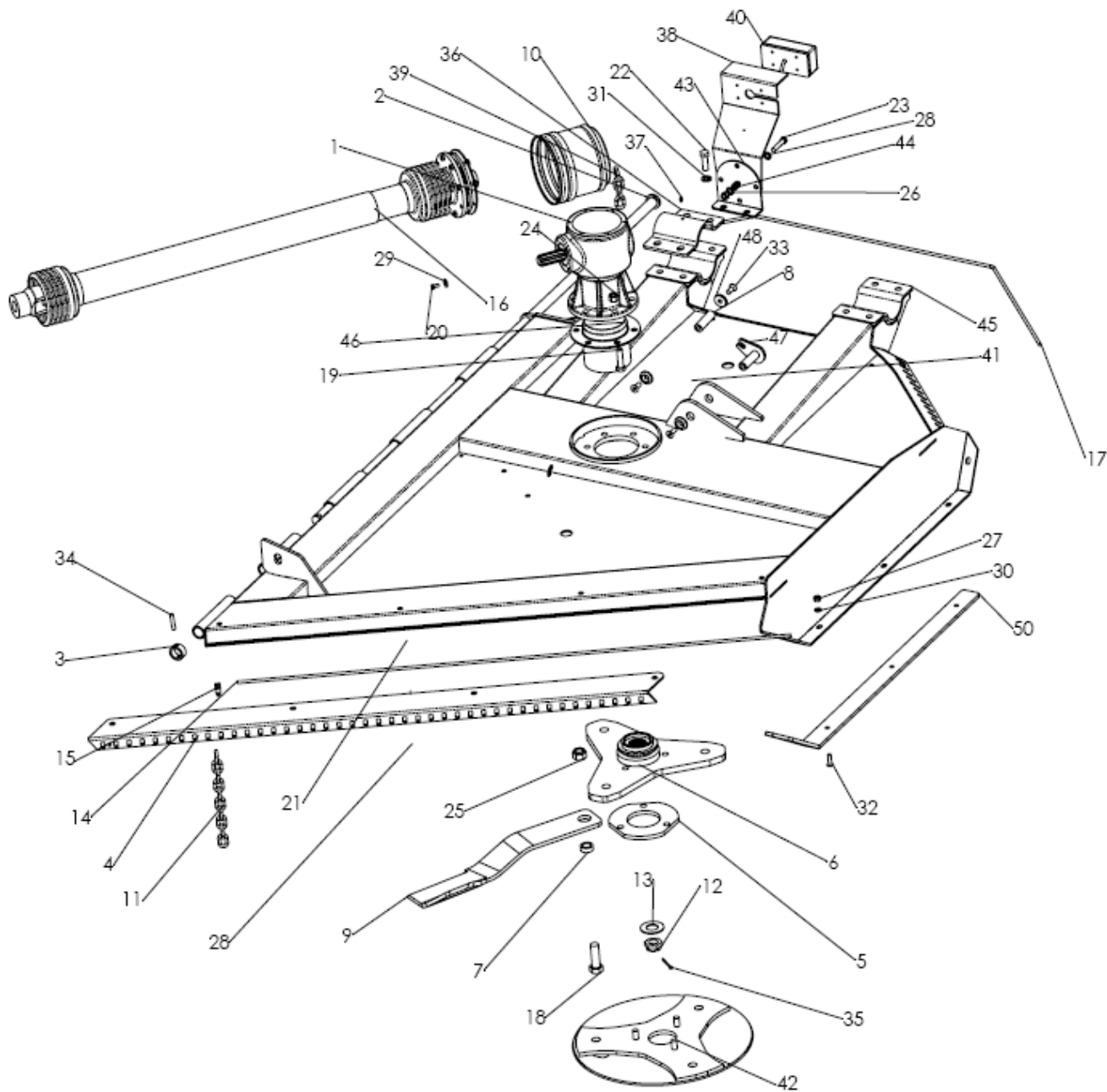


**REAR AXLES ASSEMBLY**

<b>REF.</b>	<b>PART No.</b>	<b>GERMAN DESCRIPTION</b>	<b>DANISH DESCRIPTION</b>
1	1770672B	Gelenk Innen	Gaffel inder
2	1770673B	Gelenk Ausen	Gaffel ydre
3	1770585A	Dobbel Radarm	Dobbelt hjularm
4	1770584A	Einzel Radarm	Enkelt hjularm
5	1770583	Bolz	Pløk
6	6770674	Rad	Hjul
6A	8579	Rad	Hjul
7	8770644	Gummi Federung	Gummidæmper
8	6770579	Radbolz	Hjulbolt
9	6770580	Deckel	Låg
9A	6770587.01	Deckel (mit gewinde)	Låg
10	OPT0615	reparieren	
11	4770660	Lager	Leje
12	4770659	Lager	Leje
12A	6770587.02	Lager	Leje
13	4770661	Dichtung	Tætning
13A	6770587.03	Dichtung	Tætning
14	6770578	Mutter	Møtrik
15	6770583	Mutter	Møtrik
15A	6770587.06	Mutter	Møtrik
16	2770467	Schmiernippel	Smørenippel
17	2770454	Scheibe	Skive
18	2770351	Scheibe	Skive
19	2770436	Scheibe	Skive
20	2770358	Bolz	Bolt
21	2770405	Bolz	Bolt
22	2770417	Mutter	Møtrik
23	2770359	Mutter	Møtrik
24	6770626	Toothed Plate	Toothed Plate
25	2770587	Mutter	Møtrik
26	1778039	Bolz	Pløk
27	1777209	Scheibe	Skive
28	2770506	Schraube	Skrue
29	1770607D	Pendel Achse Mitte	Pendul aksel Midter
30	1770585C	Pendel Arm	Pendul arm
31	1770607C	Std. Achse Mitte	Std. Aksel midter
32	1770583B	Bolz	Pløk
	4600127-A	Buchse	Bøsning
33	1770611B	LH Achse	LH aksel
	1770612B	RH Achse	RH aksel
	1770637	Serrated disc	Serrated disc
34	1770609	Kat1 m. Zahnscheibe	Kat1 med tandskive
35	2770596	Schraube	Skrue
35A	OPT0023	Rep. Kit	Rep. kit
37	1777208	Scheibe	Skive
38	8777509	Plast	Plastende
39	6310227	Kat1 Schweissteil	Kat1 svejsedel



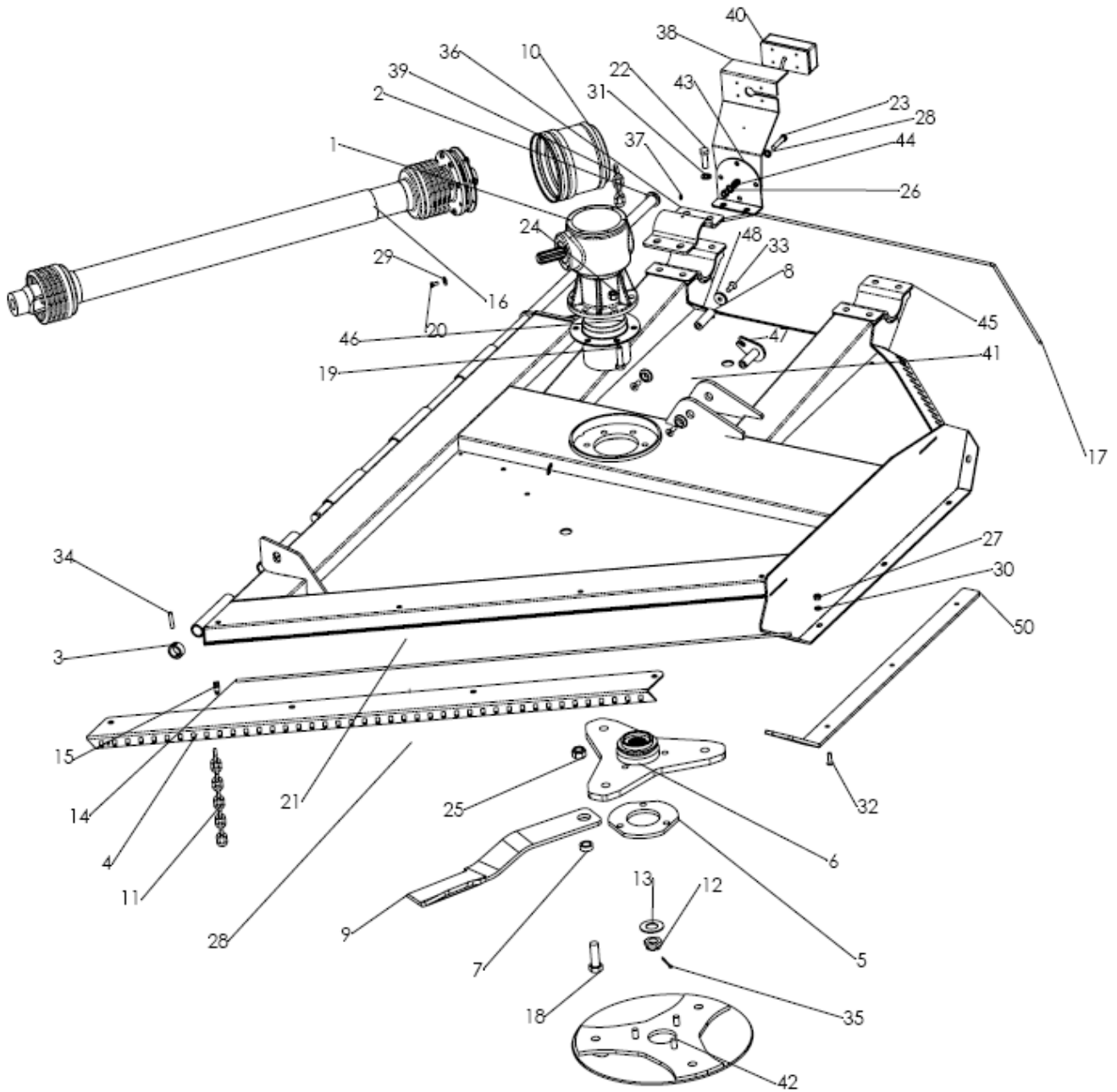
WING DECK



**WING DECK**

REF.	PART No.	ENGLISH DESCRIPTION	FRENCH DESCRIPTION
1	5770430	LH gearbox 540rpm (Walterscheid)	Boîte d'engrenages 540 trs/min de gauche
	5770431	RH gearbox 540rpm (Walterscheid)	Boîte d'engrenages 540 trs/min de droite
	5770413	LH gearbox 1000rpm (Walterscheid)	Boîte d'engrenages 1000 trs/min de gauche
	5770414	RH gearbox 1000rpm (Walterscheid)	Boîte d'engrenages 1000 trs/min de droite
	5770002	LH gearbox 540rpm (Bondioli)	Boîte d'engrenages 540 trs/min de gauche
	5770003	RH gearbox 540rpm (Bondioli)	Boîte d'engrenages 540 trs/min de droite
	5770007	LH gearbox 1000rpm (Bondioli)	Boîte d'engrenages 1000 trs/min de gauche
	5770006	RH gearbox 1000rpm (Bondioli)	Boîte d'engrenages 1000 trs/min de droite
2	1770657B	Hinge bar	Barre charnière
	016200-02	Hinge tube	Bague
	20015	Packing piece	Entretoise
	004600-23	Front lug	Front lug
	004600-42	Rear lug	Rear lug
3	1770676	Retaining bush	Coussinet de retenue
4	1800151	LH wing chain guard	Protection de chaîne latérale gauche
	1800152	RH wing chain guard	Protection de chaîne latérale droite
5	1770604-3	Blade carrier spacer	Entretoise de porte-lame
6	1770602-3A	Upper blade carrier	Porte-lame supérieur
7	7770707	Blade bush	Coussinet de lame
8	1770691	Pin	Broche
9	7770701	LH blade	Lame de gauche
	7770700	RH blade	Lame de droite
10	5770438	Guard (Bondioli G/box builds)	Protection (Bondioli G/box builds)
	21839.01	Guard (Walterscheid G/box builds)	Protection (Walterscheid G/box builds)
11	8770621	6 link chain	Chaîne à 6 maillons
12	5771409	Nut	Écrou
13	5771410	Washer	Rondelle
14	6770910	Wire rope 1665mm	Câble de 1665mm
15	6770907	Wire rope clamp	Serre-câble
16	5770446	Wing shaft 540 PTO (Walterscheid)	Arbre latéral
	5770417	Wing shaft 1000 PTO (Walterscheid)	Arbre latéral
	5770224	Wing shaft PTO (Bondioli)	Arbre latéral
17	6770910	Wire rope 1665mm	Câble de 1 665mm
18	2770413	Bolt	Boulon
19	2770423	Bolt	Boulon
20	2770431	Set screw	Vis de réglage
21	2770443	Bolt	Boulon
22	2770425	Bolt	Boulon
23	2770448	Bolt	Boulon
24	2770447	Nut	Écrou
25	2770414	Nut	Écrou
26	2770417	Nut	Écrou
27	2770412	Nut	Écrou
28	2770436	Washer	Rondelle
29	2770244	Washer	Rondelle
30	2770434	Washer	Rondelle
31	2770454	Washer	Rondelle
32	2770509	Screw	Vis
33	2770506	Screw	Vis
34	2770531	Roll pin	Goupille élastique
35	2770512	Split pin	Goupille élastique
36	1770608A	Axle U bracket	Support d'axe en U
37	2770467	Grease nipple	Embout de graissage
38	1770690A	Light mount	Support de feu

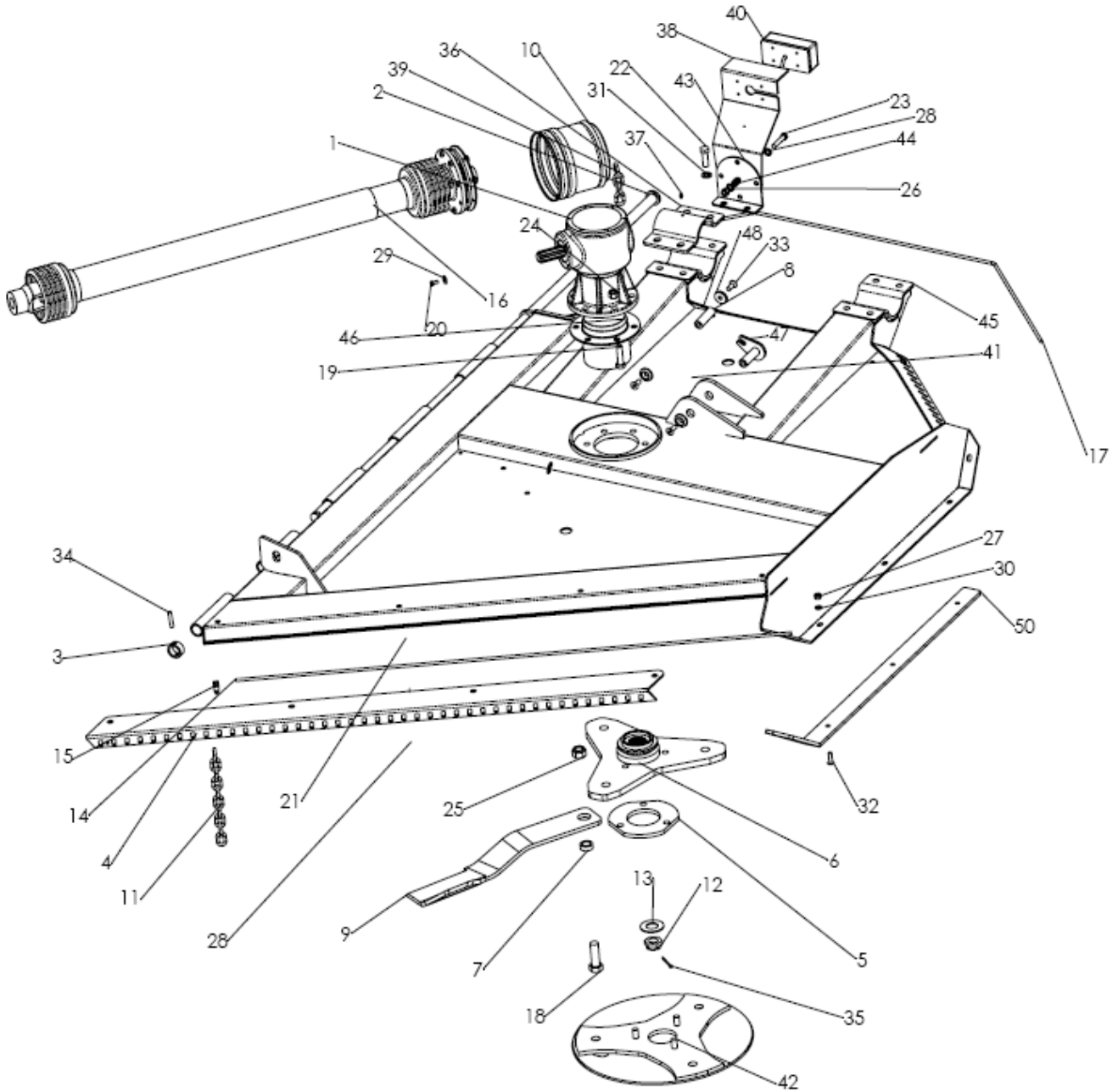
## WING DECK



**WING DECK**

REF.	PART No.	GERMAN DESCRIPTION	DANISH DESCRIPTION
1	5770430	LH Getriebe 540 rpm	Gearkasse 540 rpm
	5770431	RH Getriebe 540 rpm	Gearkasse 540 rpm
	5770413	LH Getriebe 1000 rpm	Gearkasse 1000 rpm
	5770414	RH Getriebe 1000 rpm	Gearkasse 1000 rpm
	5770002	LH Getriebe 540 rpm	Gearkasse 540 rpm
	5770003	RH Getriebe 540 rpm	Gearkasse 540 rpm
	5770007	LH Getriebe 1000 rpm	Gearkasse 1000 rpm
	5770006	RH Getriebe 1000 rpm	Gearkasse 1000 rpm
2	1770657B	Welle	Aksel
	016200-02	Buchse	Bøsning
	20015	Distanzscheibe	Afstandsskive
	004600-23	Front lug	Front lug
	004600-42	Rear lug	Rear lug
3	1770676	Scheibe	Skive
4	1800151	LH Kettenhalter	LH Kædeholder
	1800152	RH Kettenhalter	RH Kædeholder
5	1770604-3	Distanzscheibe	Afstandsskive
6	1770602-3A	Messerhalter Oben	Knivholder øverst
7	7770707	Meserbuchse	Knivbøsning
8	1770691	Bolz	Pløk
9	7770701	LH Messer	LH Kniv
	7770700	RH Messer	RH Kniv
10	5770438	Schutz (Bondioli G/box builds)	Beskyttelse (Bondioli G/box builds)
	21839.01	Schutz (Walterscheid G/box builds)	Beskyttelse (Walterscheid G/box builds)
11	8770621	Kette 6 teilig	Kæde 6 leds
12	5771409	Mutter	Møtrik
13	5771410	Scheibe	Skive
14	6770910	Kabel 1665 mm	Wire 1665 mm
15	6770907	Kabelhalter	Wirelås
16	5770446	Gelenkwelle	Kardanaksel
	5770417	Gelenkwelle	Kardanaksel
	5770224	Gelenkwelle	Kardanaksel
17	6770910	Kabel 1665 mm	Wire 1665 mm
18	2770413	Bolz	Bolt
19	2770423	Bolz	Bolt
20	2770431	Schraube	Skrue
21	2770443	Bolz	Bolt
22	2770425	Bolz	Bolt
23	2770448	Bolz	Bolt
24	2770447	Mutter	Møtrik
25	2770414	Mutter	Møtrik
26	2770417	Mutter	Møtrik
27	2770412	Mutter	Møtrik
28	2770436	Scheibe	Skive
29	2770244	Scheibe	Skive
30	2770434	Scheibe	Skive
31	2770454	Scheibe	Skive
32	2770509	Schraube	Skrue
33	2770506	Schraube	Skrue
34	2770531	Splint	Rørsplit
35	2770512	Splint	Rørsplit
36	1770608A	U-Konsole	U-konsol
37	2770467	Schmiernippel	Smørenippel
38	1770690A	Halter für Licht	Holder for baglys

WING DECK

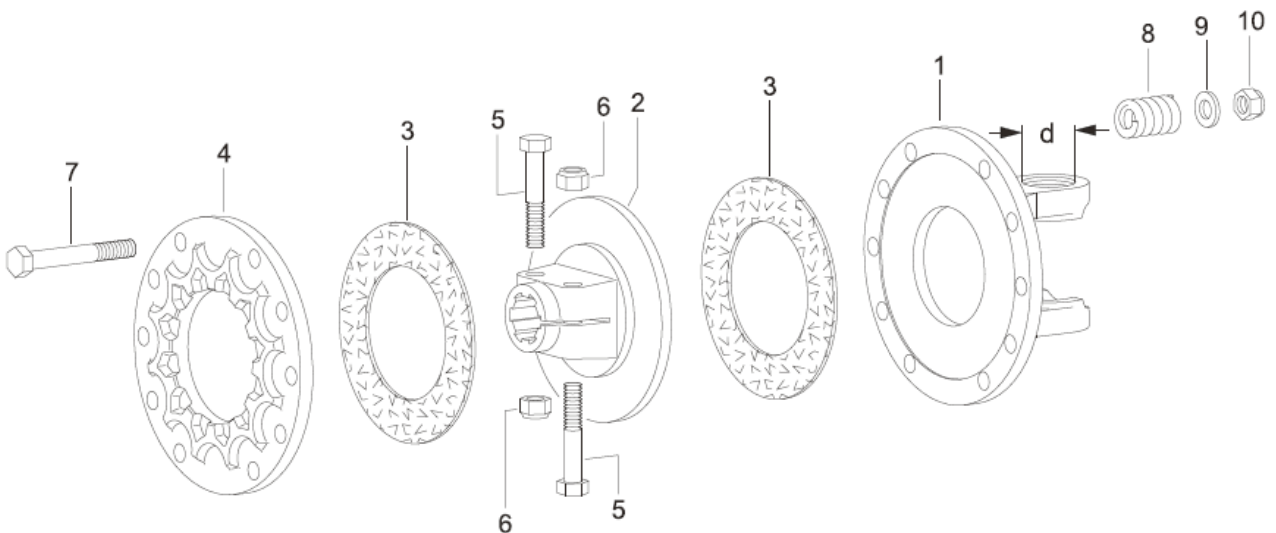
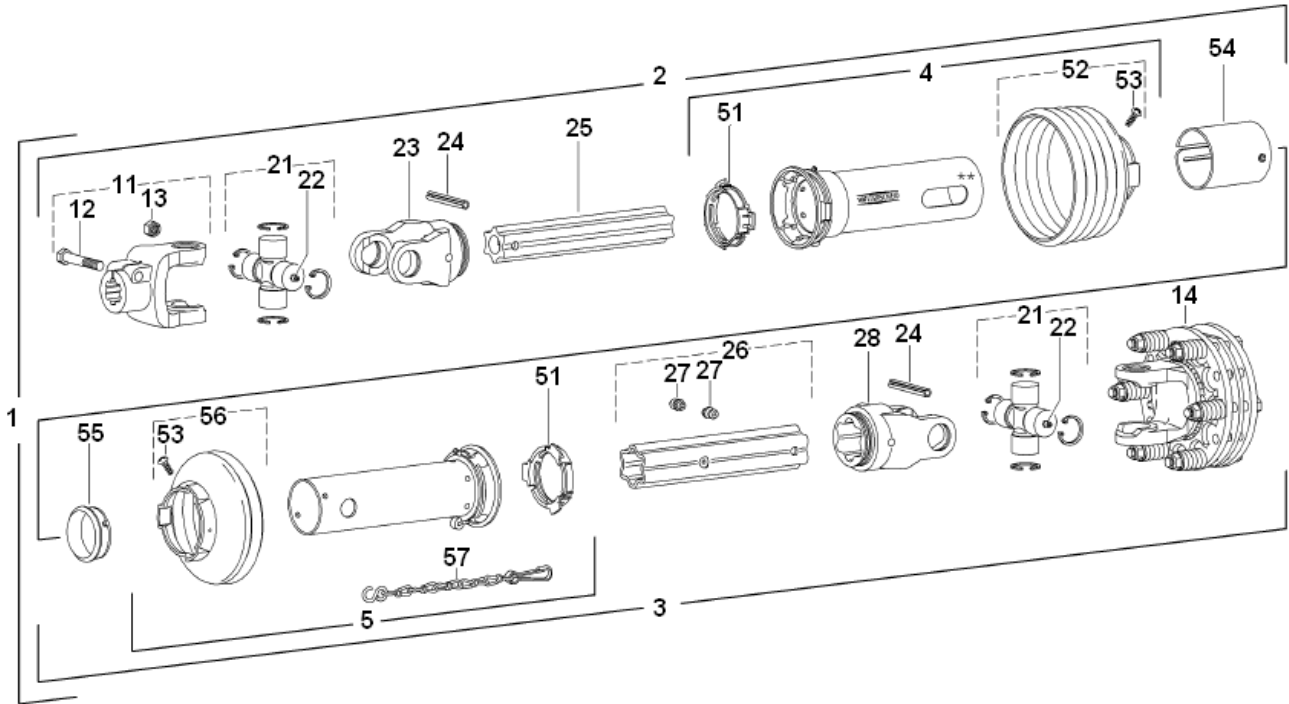


Float Bracket 1770680 (#41)

**WING DECK**

<b>REF.</b>	<b>PART No.</b>	<b>ENGLISH DESCRIPTION</b>	<b>FRENCH DESCRIPTION</b>
39	8770620	4 link chain	Chaîne à 4 maillons
40	8770659	Rear light	Feu arrière
	8770659A	Lens	Verre
41	1770680	Float bracket	Support flottant
	2770551	Bolt	Boulon
	2770460	Nut	Écrou
42	1770630	Lower blade carrier	Porte-lame inférieur
	7770726	Anti-scalp	Protection
43	1770699	Light bracket	Support de feu
44	6310237	Spring	Ressort
45	1770656E	LH wing section	Section latérale gauche
	1770654E	RH wing section	Section latérale droite
46	1770620	Seal protector	Protection de joint
47	1777653	Pin	Broche
48	1777209	Retaining Washer	Rondelle de retenue
50	1770685A	LH skid	Patin de gauche
	1770685AR	RH skid	Patin de droit

<b>REF.</b>	<b>PART No.</b>	<b>GERMAN DESCRIPTION</b>	<b>DANISH DESCRIPTION</b>
39	8770620	Kette 4 teilig	Kæde 6 leds
40	8770659	Licht Kpl.	Baglygte
	8770659A	Glass	Glas
41	1770680	Schwimm Konsole	Flydekonsol
	2770551	Bolz	Bolt
	2770460	Mutter	Møtrik
42	1770630	Messerhalter Unten	Knivholder nederst
	7770726	Teller	Tallerken
43	1770699	Platte	Plade
44	6310237	Feder	Fjeder
45	1770656E	LH Flügel	LH Sidesektion
	1770654E	RH Flügel	RH Sidesektion
46	1770620	Schutz	Beskyttelse
47	1777653	Bolz	Pløk
48	1777209	Scheibe	Skive
50	1770685A	LH Stützkufen	LH Glideskinne
	1770685AR	RH Stützkufen	RH Glideskinne

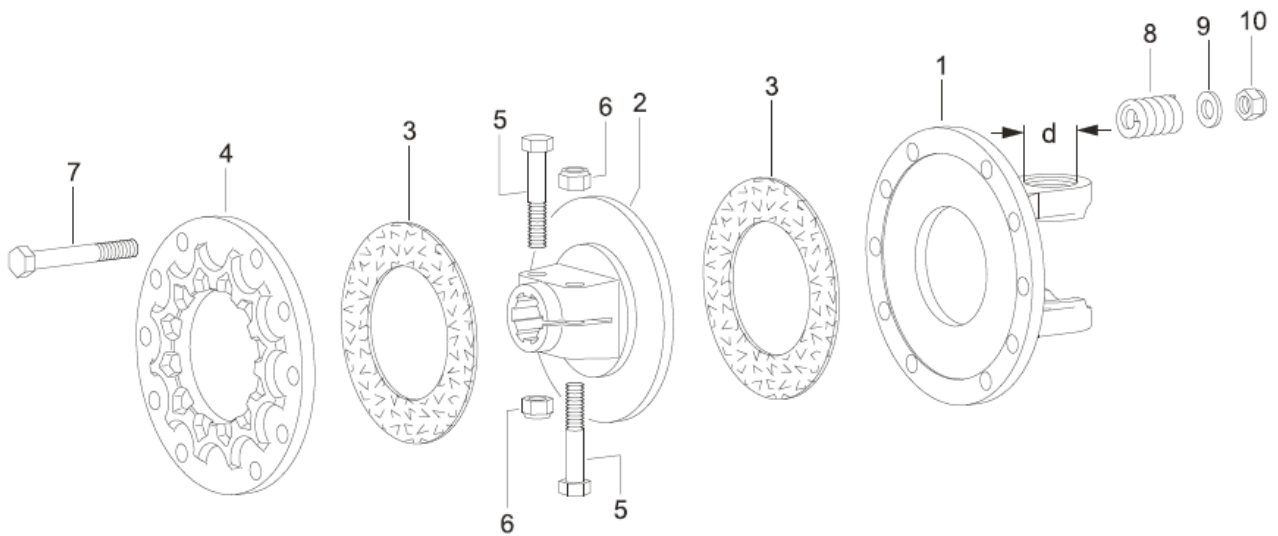
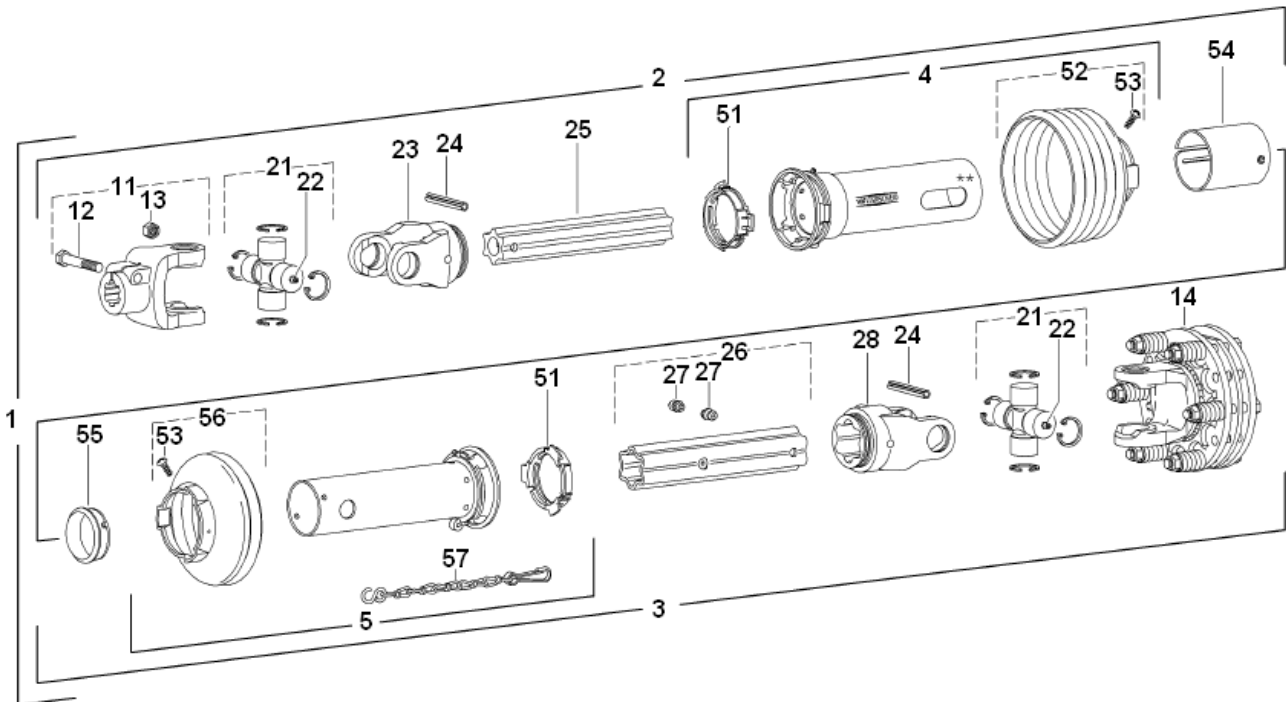


**WING DRIVE SHAFT - WALTERSCHEID (2 Plate)**

<b>REF.</b>	<b>PART No.</b>	<b>ENGLISH DESCRIPTION</b>	<b>FRENCH DESCRIPTION</b>
1	5770417	Wing shaft assembly 1000	Arbre de prise de mouvement
1	5770446	Wing shaft assembly 540	Arbre de prise de mouvement
	5770417.01	Full guard	Capot de protection
2	n/a	Inner ½ PTO	Inner ½ PTO
3	n/a	Outer ½ PTO	Outer ½ PTO
4	5770417.02	Outer guard ½	Semi-protection
5	5770417.03	Inner guard ½	Semi-protection
11	5770417.04	Yoke (20 spline)	Étrier à bride
11	5770443.04	Yoke (6 spline)	Étrier à bride
12	n/a	Bolt	Boulon
13	n/a	Nut	Écrou
14	5770417.05	Clutch assy	Embrayage
21	5770417.06	UJ	Cardan
22	n/a	Grease nipple	Embout de graissage
23	5770417.07	Yoke	Étrier
24	n/a		Broche
25	5770442.08	Inner tube	Tube interne
26	5770417.08	Outer tube	Tube externe
27	n/a	Grease nipple	Embout de graissage
28	5770442.10.	Yoke	Étrier
51	5770440.15	Bearing ring	Bague de roulement
52	n/a	Guard	Protection
53	n/a	Screw	Vis
54	n/a	Cover	Protection
55	n/a	Bearing ring	Bague de roulement
56	n/a	Guard	Protection
57	n/a	Chain	Chaîne

<b>REF.</b>	<b>PART No.</b>	<b>ENGLISH DESCRIPTION</b>	<b>FRENCH DESCRIPTION</b>
1	5770441.01	Flange yoke	Étrier à bride
2	5770446.01	Hub z6 x 1 3/8	Moyeu
3	5770441.03	Friction disk	Disque de friction
4	5770441.04	Plate	Plaque
5	5770441.05	Bolt	Boulon
6	5770441.06	Nut	Écrou
7	5770441.07	Bolt	Boulon
8	5770441.08	Spring	Ressort
9	5770441.09	Washer	Rondelle
10	5770441.1	Nut	Écrou

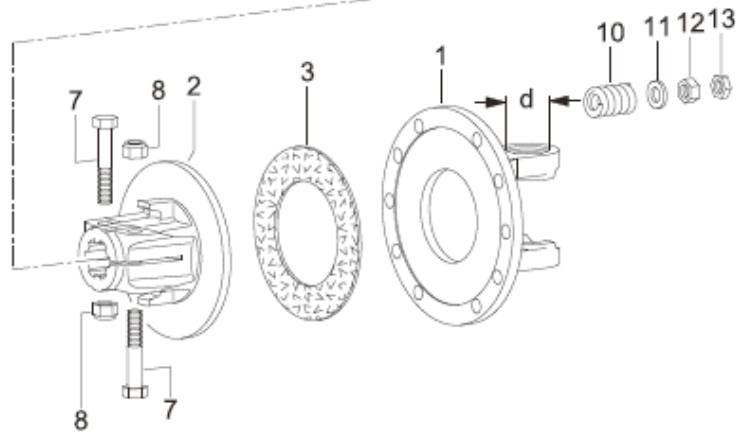
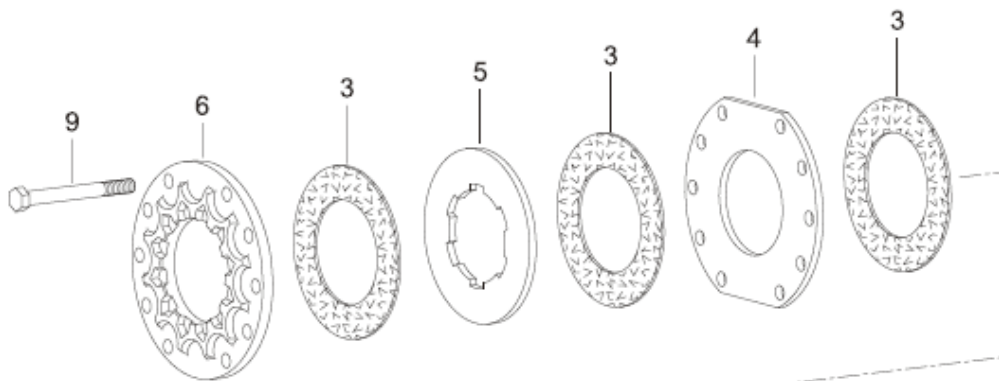
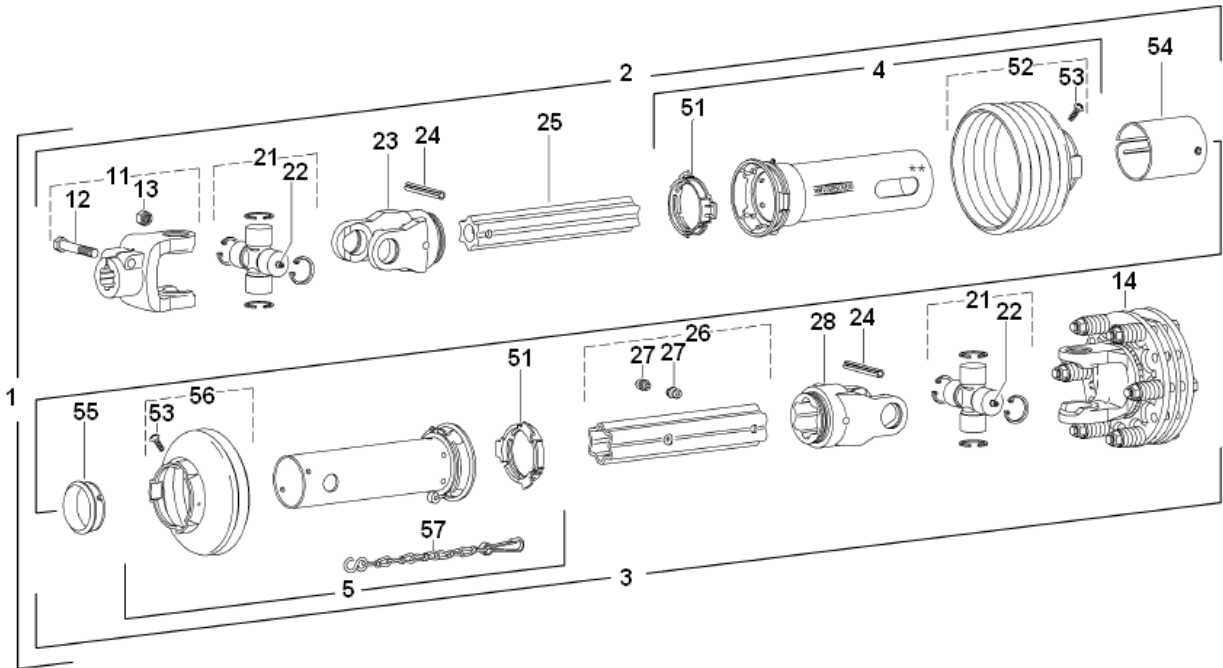




**WING DRIVE SHAFT - WALTERSCHEID (2 Plate)**

<b>REF.</b>	<b>PART No.</b>	<b>GERMAN DESCRIPTION</b>	<b>DANISH DESCRIPTION</b>
1	5770417	Gelenkwelle Kpl.	Kardanaksel kpl.
1	5770446	Gelenkwelle Kpl.	Kardanaksel kpl.
	5770417.01	Schutz	Beskyttelse
2	n/a	Inner ½ PTO	Inner ½ PTO
3	n/a	Outer ½ PTO	Outer ½ PTO
4	5770417.02	Schutz Ausen	Beskyttelse inder
5	5770417.03	Schutz Ausen	Beskyttelse inder
11	5770417.04	Flanch Gabel	Flangegaffel
11	5770443.04	Flanch Gabel	Flangegaffel
12	n/a	Bolz	Bolt
13	n/a	Mutter	Møtrik
14	5770417.05	Kupplungsdruckplatte	kobling samling
21	5770417.06	Kreuz	Kryds
22	n/a	Schmiernippel	Smørenippel
23	5770417.07	Gabel	Gaffel
24	n/a	Bolz	Bolt
25	5770442.08	Rohr Innen	Rør inder
26	5770417.08	Rohr Ausen	Rør yder
27	n/a	Schmiernippel	Smørenippel
28	5770442.10.	Gabel	Gaffel
51	5770440.15	Lager Ausen	Leje inder
52	n/a	Schutz	Beskyttelse
53	n/a	Schraube	Skrue
54	n/a	Schutz	Beskyttelse
55	n/a	Lager Ausen	Leje inder
56	n/a	Schutz	Beskyttelse
57	n/a	Kette	Kaede

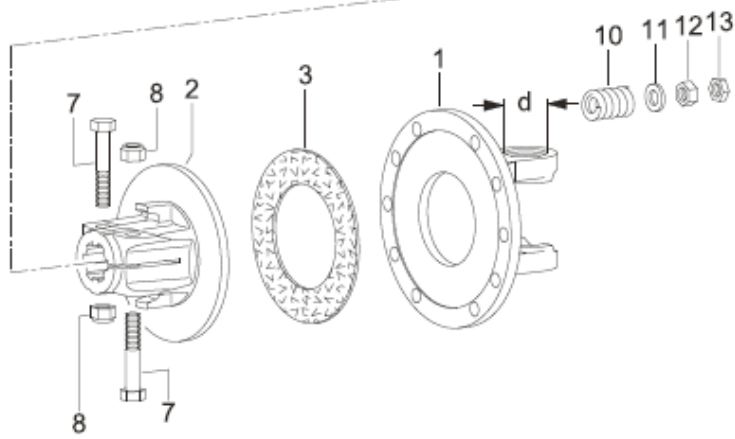
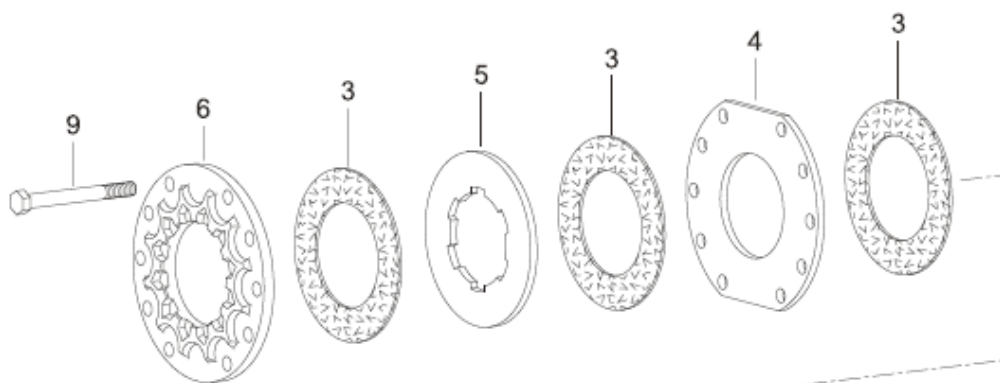
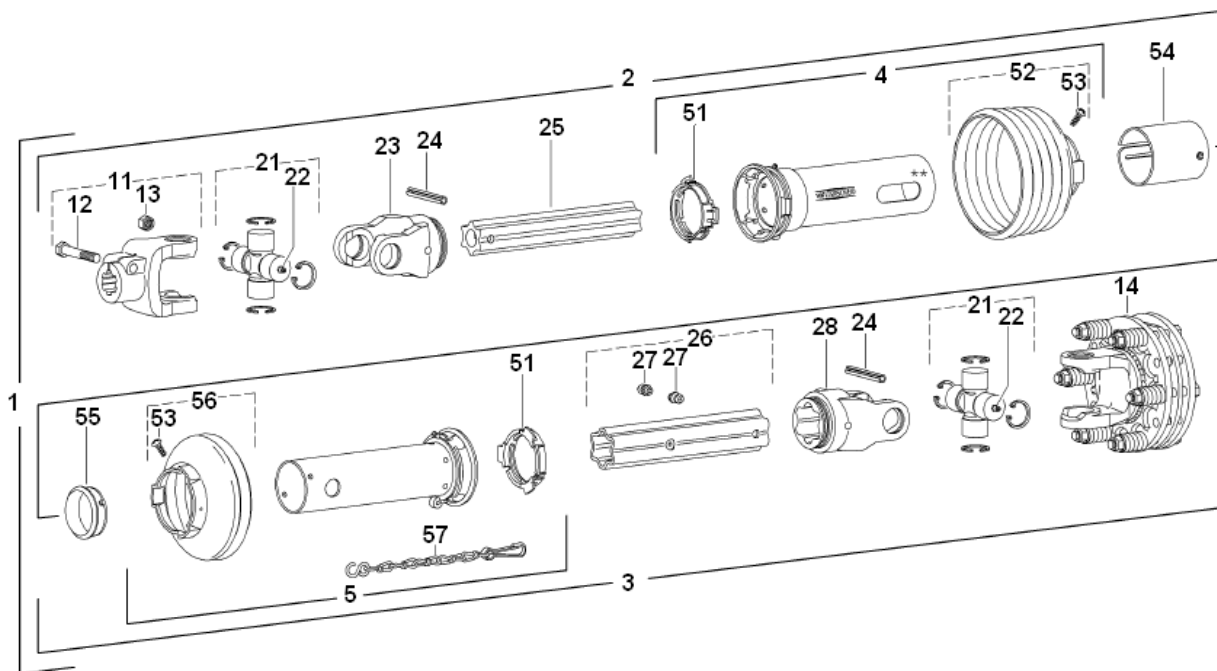
<b>REF.</b>	<b>PART No.</b>	<b>GERMAN DESCRIPTION</b>	<b>DANISH DESCRIPTION</b>
1	5770441.01	Flanch Gabel	Flangegaffel
2	5770446.01	Nabe	Nav
3	5770441.03	Platte	Plade
4	5770441.04	Platte	Plade
5	5770441.05	Bolz	Bolt
6	5770441.06	Mutter	Møtrik
7	5770441.07	Bolz	Bolt
8	5770441.08	Federteller	Fjedertallerken
9	5770441.09	Scheibe	Skive
10	5770441.1	Mutter	Møtrik



**WING DRIVE SHAFT – WALTERSCHEID (4 Plate)**

<b>REF.</b>	<b>PART No.</b>	<b>ENGLISH DESCRIPTION</b>	<b>FRENCH DESCRIPTION</b>
	5770488	P.T.O shaft	Arbre de prise de mouvement
1	5770424.01	Full Guard	Capot de protection
2	n/a	½ shaft	n/a
3	n/a	½ shaft	n/a
4	5770424.02	½ outer guard	Semi-protection
5	5770424.03	½ inner guard	Semi-protection
11	5770417.04	Yoke	Étrier à bride
12	n/a	Bolt	Boulon
13	n/a	Nut	Écrou
14	5770443.05	Clutch assembly	EMBRAYAGE
21	5770445.03	Cross journal	Cardan
22	n/a	Grease nipple	Embout de graissage
23	5770417.07	Yoke	Étrier
24	n/a	Tension pin	Broche
25	5770424.04	Inner tube	Tube interne
26	5770424.05	Outer tube	Tube externe
27	n/a	Grease fitting	Embout de graissage
28	5770444.10.	Yoke	Étrier
51	5770440.15	Guard ring	Bague de roulement
52	n/a	Guard cone	Protection
53	n/a	Screw	Vis
54	n/a	Cover	Protection
55	n/a	Guard ring	Bague de roulement
56	n/a	Guard cone	Protection
57	n/a	Chain	Chaîne

<b>REF.</b>	<b>PART No.</b>	<b>ENGLISH DESCRIPTION</b>	<b>FRENCH DESCRIPTION</b>
1	5770441.01	Flange yoke	Étrier à bride
2	5770445.02	Hub	Moyeu
3	5770441.03	Friction lining	Disque de friction
4	5770445.03	Outer plate	Plaque
5	5770445.04	Inner plate	Plaque intérieure
6	5770441.04	Thrust plate	Plaque
7	5770441.05	Bolt	Boulon
8	5770441.06	Nut	Écrou
9	5770445.05	Bolt	Boulon
10	5770441.08	Spring	Ressort
11	5770441.09	Washer	Rondelle
12	5770441.1	Nut	Écrou
13	5770441.1	Locknut	Écrou

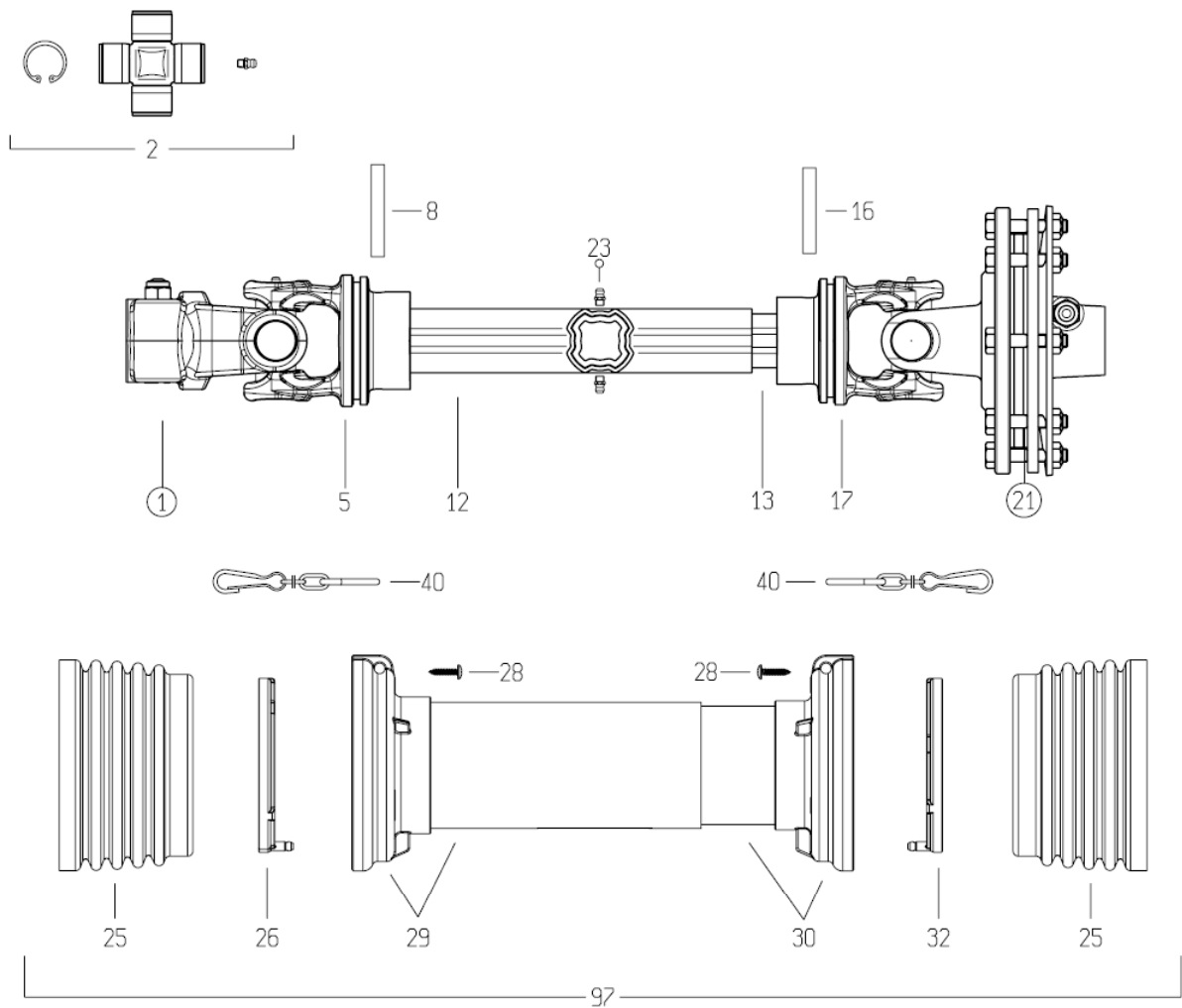


**WING DRIVE SHAFT – WALTERSCHEID (4 Plate)**

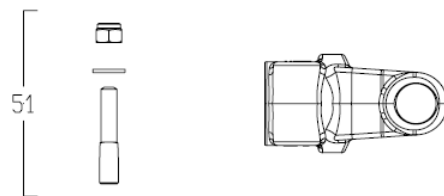
<b>REF.</b>	<b>PART No.</b>	<b>GERMAN DESCRIPTION</b>	<b>DANISH DESCRIPTION</b>
	5770488	Gelenkwelle Kpl.	Kardanaksel kpl.
1	5770424.01	Schutz	Beskyttelse
2	n/a	n/a	n/a
3	n/a	n/a	n/a
4	5770424.02	Schutz Ausen	Beskyttelse inder
5	5770424.03	Schutz Ausen	Beskyttelse inder
11	5770417.04	Flanch Gabel	Flangegaffel
12	n/a	Bolz	Bolt
13	n/a	Mutter	Møtrik
14	5770443.05	Kupplungsdruckplatte	kobling samling
21	5770445.03	Kreuz	Kryds
22	n/a	Schmiernippel	Smørenippel
23	5770417.07	Gabel	Gaffel
24	n/a	Bolz	Bolt
25	5770424.04	Rohr Innen	Rør inder
26	5770424.05	Rohr Ausen	Rør yder
27	n/a	Schmiernippel	Smørenippel
28	5770444.10.	Gabel	Gaffel
51	5770440.15	Lager Ausen	Leje inder
52	n/a	Schutz	Beskyttelse
53	n/a	Schraube	Skrue
54	n/a	Schutz	Beskyttelse
55	n/a	Lager Ausen	Leje inder
56	n/a	Schutz	Beskyttelse
57	n/a	Kette	Kaede

<b>REF.</b>	<b>PART No.</b>	<b>GERMAN DESCRIPTION</b>	<b>DANISH DESCRIPTION</b>
1	5770441.01	Flanch Gabel	Flangegaffel
2	5770445.02	Nabe	Nav
3	5770441.03	Platte	Plade
4	5770445.03	Platte	Plade
5	5770445.04	Platte	Plade
6	5770441.04	Platte	Plade
7	5770441.05	Bolz	Bolt
8	5770441.06	Mutter	Møtrik
9	5770445.05	Bolz	Bolt
10	5770441.08	Federteller	Fjedertallerken
11	5770441.09	Scheibe	Skive
12	5770441.1	Mutter	Møtrik
13	5770441.1	Mutter	Møtrik

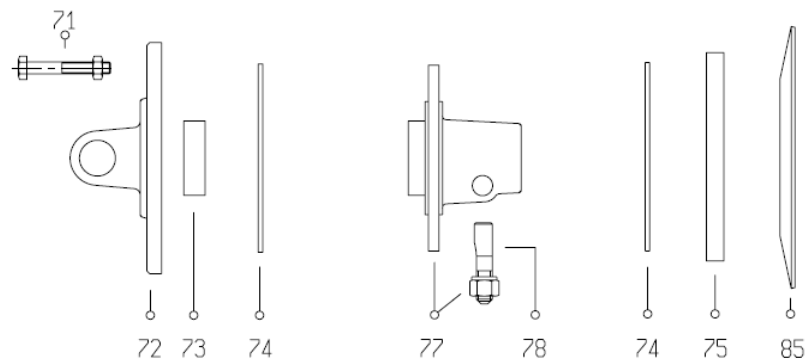
WING DRIVE SHAFT - BONDOLI



①



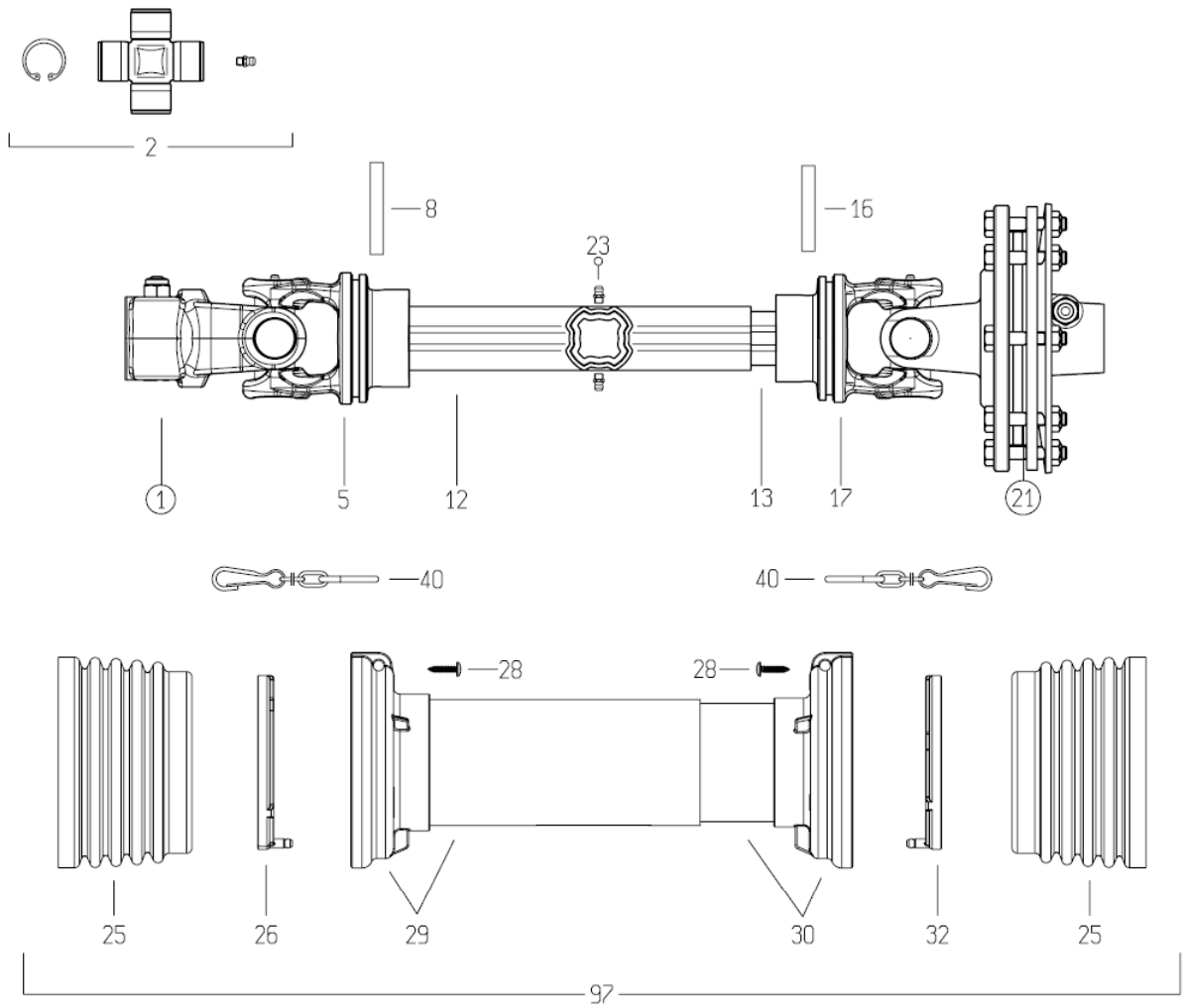
②①



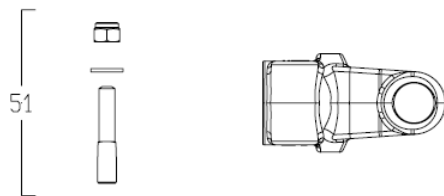
## WING DRIVE SHAFT - BONDOLI

REF.	PART No.	ENGLISH DESCRIPTION	FRENCH DESCRIPTION
	5770224	Wing shaft assembly 1000	Arbre de prise de mouvement
	5770039A	Wing shaft assembly 540	Arbre de prise de mouvement
1	5770215/1	Yoke 1 3/4"x 20 spl	Étrier
	5771310	Yoke 1 3/8"x 6 spl	Étrier
2	5770140	Cross journal	Cardan
5	5770146	Outer yoke	Étrier
8	5770144	Tension pin	Goupille élastique
12	5770142	Outer tube	Tube (extérieur)
13	5770141	Inner tube	Tube (intérieur)
16	5770143	Tension pin	Goupille élastique
17	5770145	Inner yoke	Étrier
21	5781111	Clutch assembly (6 spl)	Embrayage
25	n/a	Cone	Protection / couverture
26	5792146/11	Bearing - outer	Bague de roulement
28	n/a	Screw	Boulon
29	n/a	½ Guard	Protection / couverture
30	n/a	½ Guard	Protection / couverture
32	5792146/12	Bearing - Inner	Bague de roulement
40	5771020	Chain	Chaîne
51	5771322	Taper pin	Broche
71	5770138A	Clutch bolt	Boulon d'embrayage
72	5770131	Flanged yoke	Étrier à bride
73	5771319	Bush	Coussinet
74	5771328	Friction disc	Plaque
75	5770135	Pressure plate	Plaque
77	5770158	Hub 6 spline	Moyeu
78	5771322A	Taper pin	Broche
85	5770136	Spring	Plaque
97	5771333	Guard assembly	Protection / couverture

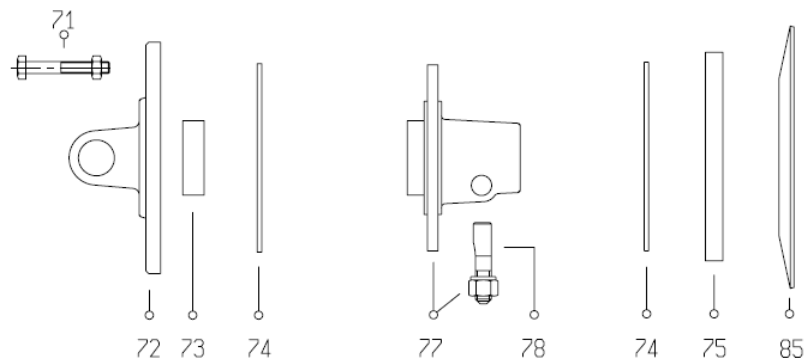




①

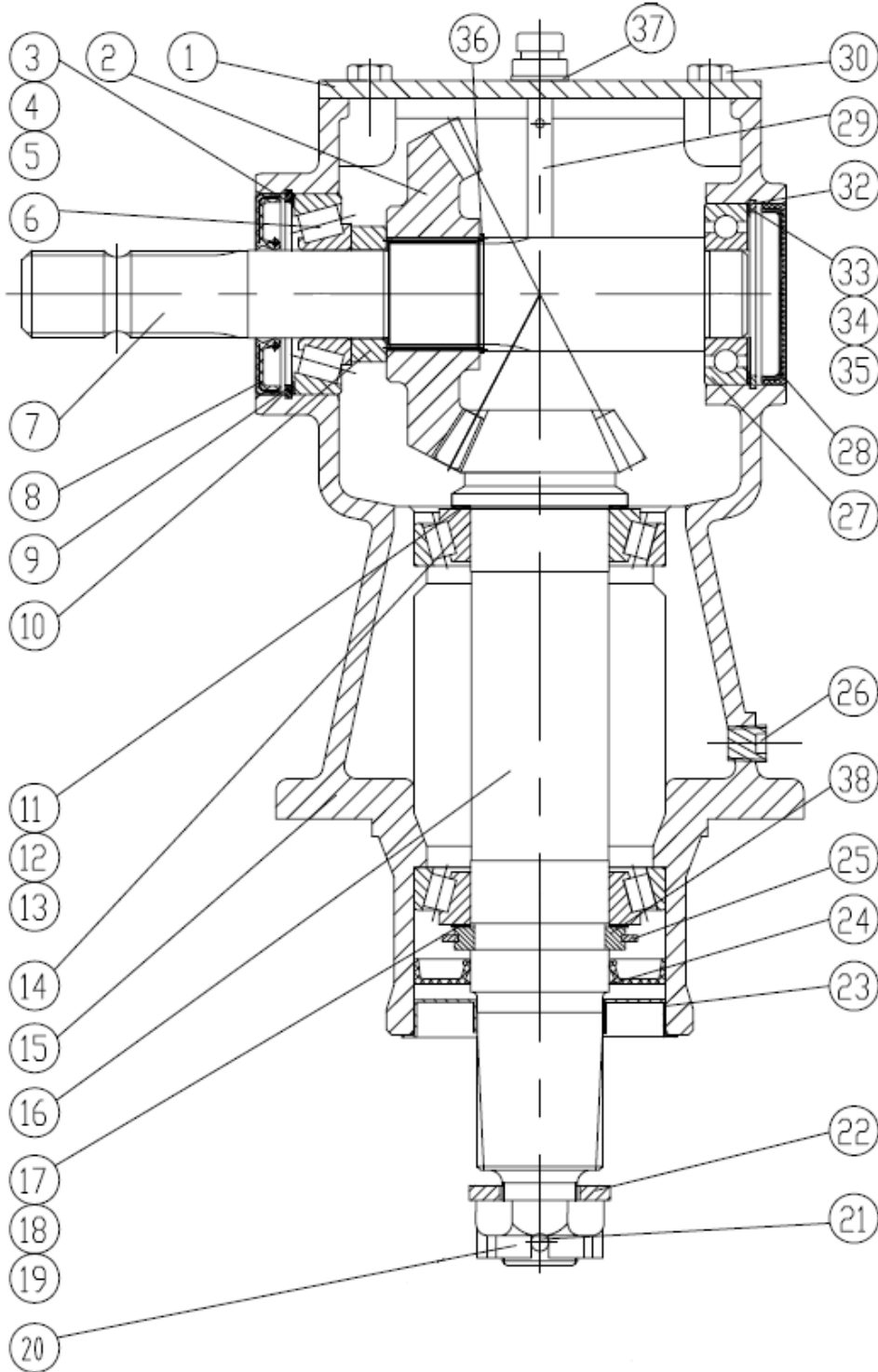


②①



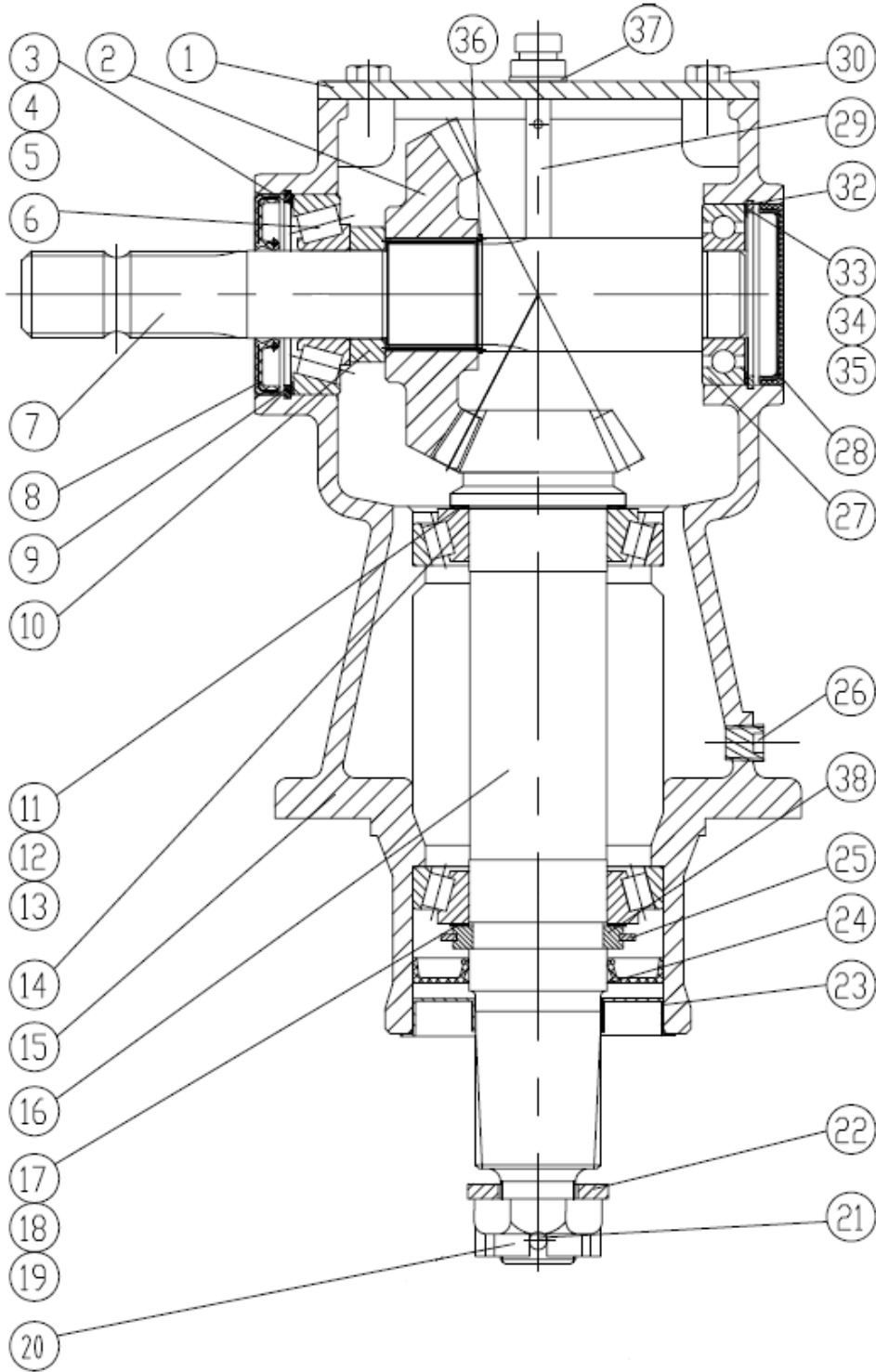
## WING DRIVE SHAFT - BONDIOLI

REF.	PART No.	GERMAN DESCRIPTION	DANISH DESCRIPTION
	5770224	Gelenkwelle Kpl.	Kardanaksel kpl.
	5770039A	Gelenkwelle Kpl.	Kardanaksel kpl.
1	5770215/1	Gabel	Gaffel
	5771310	Gabel	Gaffel
2	5770140	Kreuz	Kryds
5	5770146	Gabel	Gaffel
8	5770144	Splint	Rørstift
12	5770142	Rohr Ausen	Kardanrør yder
13	5770141	Rohr Innen	Kardanrør inder
16	5770143	Splint	Rørstift
17	5770145	Gabel	Gaffel
21	5781111	Kupplungsdruckplatte	kobling samling
25	n/a	Schutz	Beskyttelse
26	5792146/11	Lagerring	Lejering
28	n/a	Bolz	Bolt
29	n/a	Schutz	Beskyttelse
30	n/a	Schutz	Beskyttelse
32	5792146/12	Lagerring	Lejering
40	5771020	Kette	Kæde
51	5771322	Bolz	Bolt
71	5770138A	Bolz / Mutter	Bolt / Møtrik
72	5770131	Flanch Gabel	Flangegaffel
73	5771319	Buchse	Bøsning
74	5771328	Platte	Plade
75	5770135	Platte	Plade
77	5770158	Nabe	Nav
78	5771322A	Bolz	Bolt
85	5770136	Platte	Plade
97	5771333	Schutz	Beskyttelse



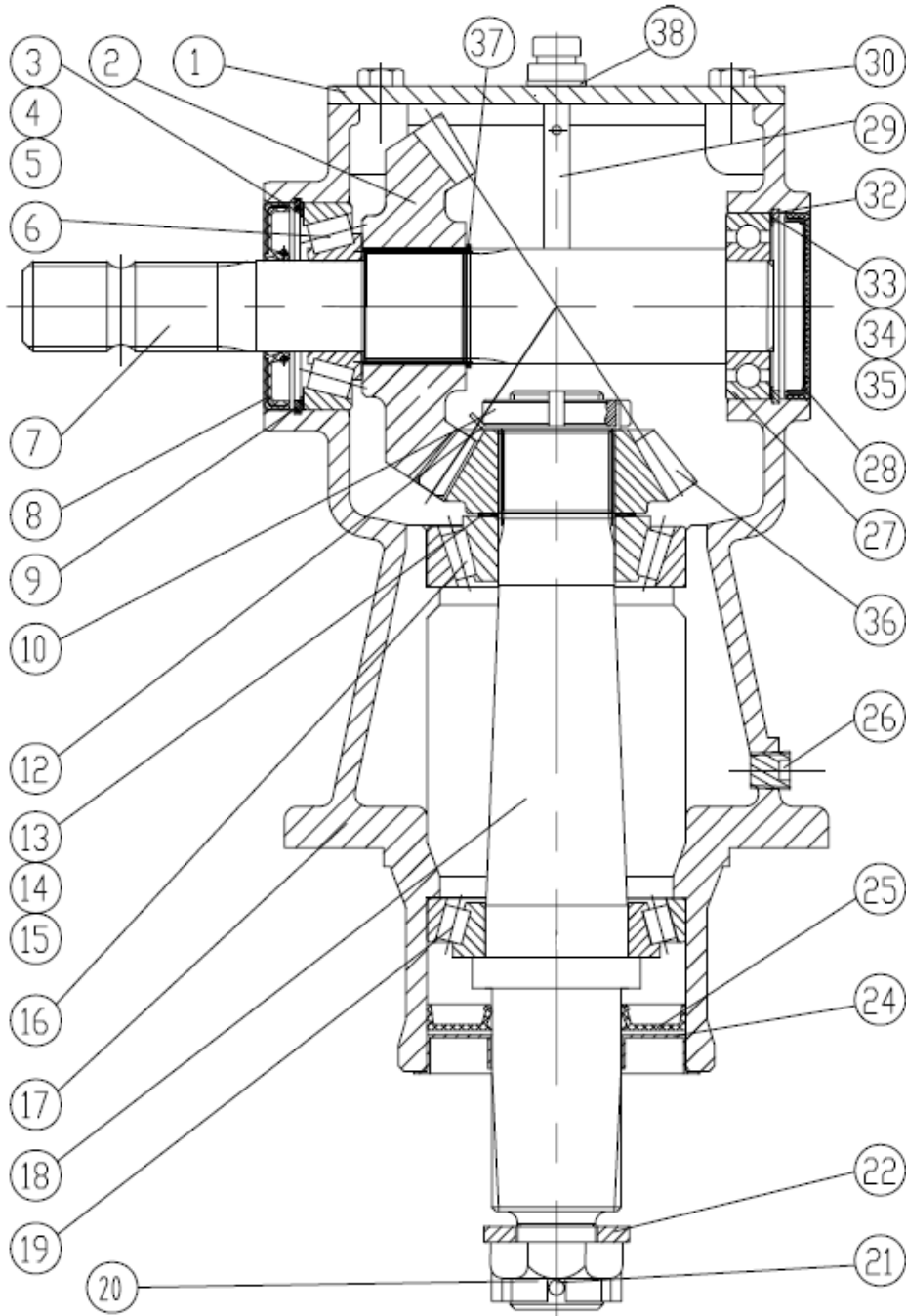
## 540RPM CENTRE GEARBOX - WALTERSCHEID

REF.	PART No.	ENGLISH DESCRIPTION	FRENCH DESCRIPTION
	5770429	Centre Gearbox assembly	Boîte d'engrenages centrale
1	-	Cover	Couvercle
2	5770429.01	Centre Gear Z25	Engins
3	-	Shim	Cale
4	-	Shim	Cale
5	-	Shim	Cale
6	4771601	Bearing	Roulement
7	5770429.02	Centre Shaft Z6	Arbre d'entrée
8	4771124	Seal	Joint à huile
9	-	Circlip	Bague élastique
10	-	Spacer	Rondelle
11	-	Shim	Cale
12	-	Shim	Cale
13	-	Shim	Cale
14	4771602	Bearing	Roulement
15	n/a	Housing	logement
16	5770429.03	Shaft Z13	Arbre de sortie
17	-	Shim	Cale
18	-	Shim	Cale
19	-	Shim	Cale
20	-	Nut	Écrou
21	-	Pin	Goupille fendue
22	-	Washer	Rondelle
23	5770420.01	Shield	Bouclier
24	4771500	Seal	Joint à huile
25	-	Circlip	Bague élastique
26	-	Plug	Bouchon
27	4771600	Bearing	Roulement
28	4771501	Seal	Joint d'étanchéité
29	5770420.06	Dipstick	Jauge
30	-	Bolt	Boulon
31	-	Identification	identification
32	-	Circlip	Bague élastique
33	-	Shim	Cale
34	-	Shim	Cale
35	-	Shim	Cale
36	-	Circlip	Bague élastique
37	-	Washer	Rondelle
38	-	Circlip	Bague élastique



## 540RPM CENTRE GEARBOX - WALTERSCHEID

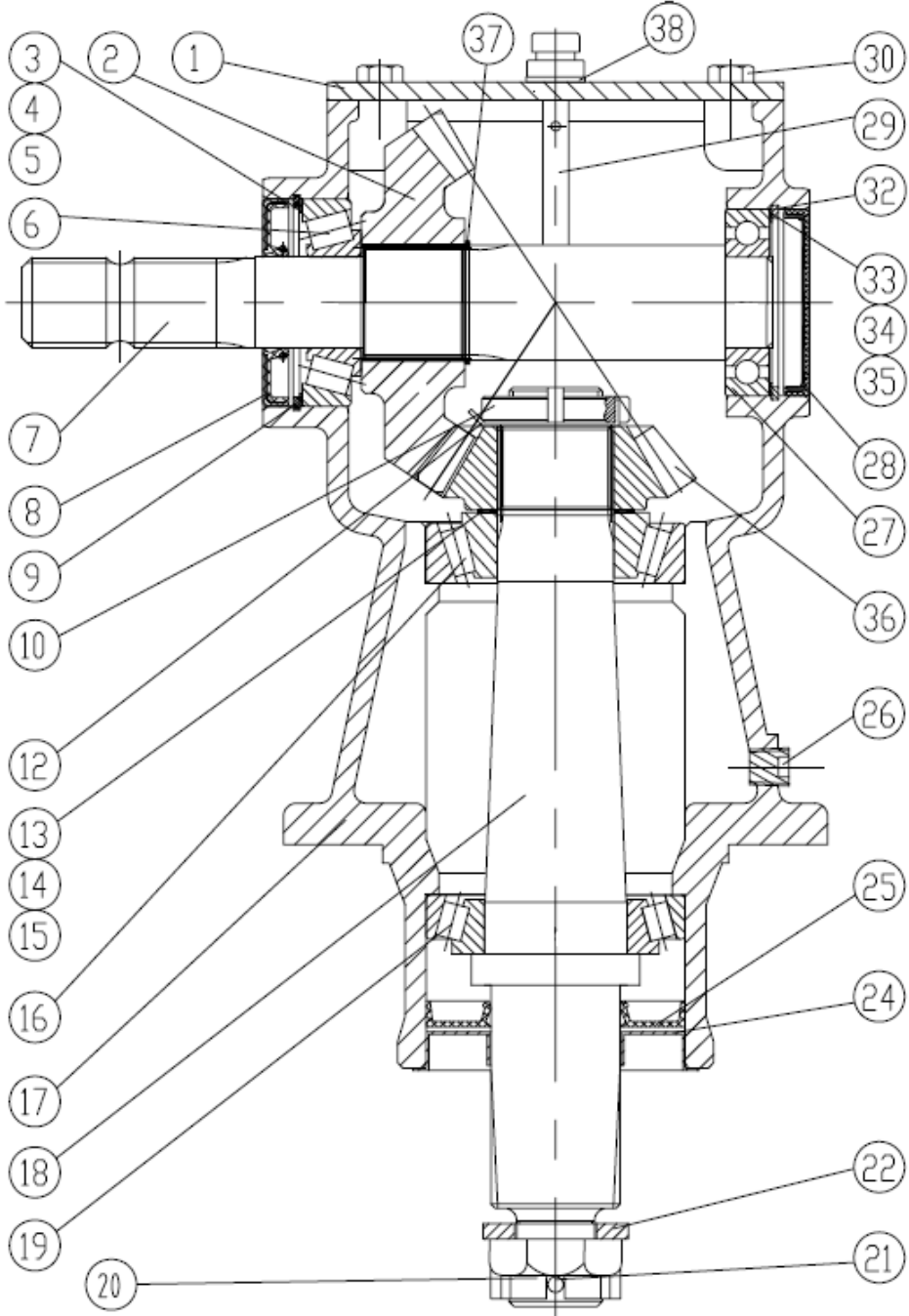
REF.	PART No.	GERMAN DESCRIPTION	DANISH DESCRIPTION
	5770429	Getriebe Mitte Kpl.	Gearkasse midter kpl.
1	-	Deckel	Låg
2	5770429.01	Getreibe	Gear
3	-	Distanz scheiben	Shims
4	-	Distanz scheiben	Shims
5	-	Distanz scheiben	Shims
6	4771601	Lager	Leje
7	5770429.02	Eingangswelle	Indgangsaksel
8	4771124	Dichtung	Pakdåse
9	-	Lockring	Låsering
10	-	Scheibe	Skive
11	-	Distanz scheiben	Shims
12	-	Distanz scheiben	Shims
13	-	Distanz scheiben	Shims
14	4771602	Lager	Leje
15	n/a	Gehäuse	boliger
16	5770429.03	Ausgangswelle	Udgangsaksel
17	-	Distanz scheiben	Shims
18	-	Distanz scheiben	Shims
19	-	Distanz scheiben	Shims
20	-	Mutter	Møtrik
21	-	Splint	Rørsplit
22	-	Scheibe	Skive
23	5770420.01	Stahlschutz	Stålbeskyttelse
24	4771500	Dichtung	Pakdåse
25	-	Lockring	Låsering
26	-	Schraube	Prop
27	4771600	Lager	Leje
28	4771501	Dichtung	Tætning
29	5770420.06	Messstab	Målepind
30	-	Bolz	Bolt
31	-	Identifizierung	identifikation
32	-	Lockring	Låsering
33	-	Distanz scheiben	Shims
34	-	Distanz scheiben	Shims
35	-	Distanz scheiben	Shims
36	-	Lockring	Låsering
37	-	Scheibe	Skive
38	-	Lockring	Låsering



## 540RPM LH WING GEARBOX - WALTERSCHEID

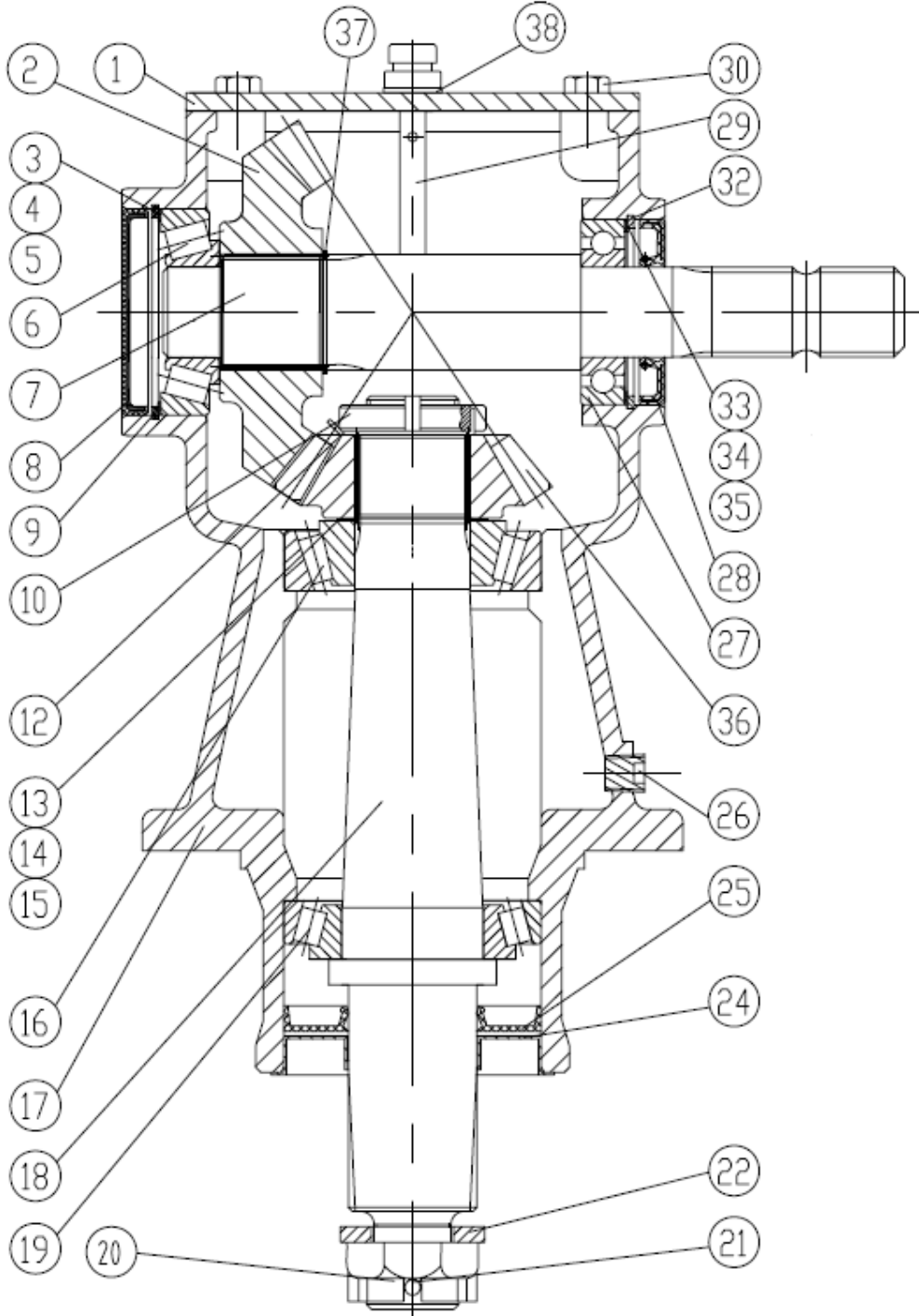
REF.	PART No.	ENGLISH DESCRIPTION	FRENCH DESCRIPTION
	5770430	Centre Gearbox assembly	Boîte d'engrenages centrale
1	-	Cover	Couvercle
2	5770430.01	Centre Gear Z24	Engins
3	-	Shim	Cale
4	-	Shim	Cale
5	-	Shim	Cale
6	4771601	Bearing	Roulement
7	5770413.01	LH Shaft Z6	Arbre d'entrée
8	4771124	Seal LH	Joint à huile
9	-	Circlip	Bague élastique
10	-	Nut	Écrou
12	-	Washer	Rondelle
13	-	Shim	Cale
14	-	Shim	Cale
15	n/a	Shim	Cale
16	4771603	Bearing	Roulement
17	-	Housing	logement
18	5770430.02	Shaft	Arbre de sortie
19	4771602	Bearing	Roulement
20	-	Nut	Écrou
21	-	Pin	Goupille fendue
22	-	Washer	Rondelle
24	5770420.01	Shield	Bouclier
25	5770420.02	Seal	Joint d'étanchéité
26	-	Plug	Bouchon
27	4771600	Bearing	Roulement
28	4771501	Seal	Joint d'étanchéité
29	5770420.06	Dipstick	Jauge
30	-	Bolt	Boulon
31	-	Identification	identification
32	-	Circlip	Bague élastique
33	-	Shim	Cale
34	-	Shim	Cale
35	-	Shim	Cale
36	5770430.03	Gear Z16	Engins
37	-	Circlip	Bague élastique
38	-	Washer	Rondelle





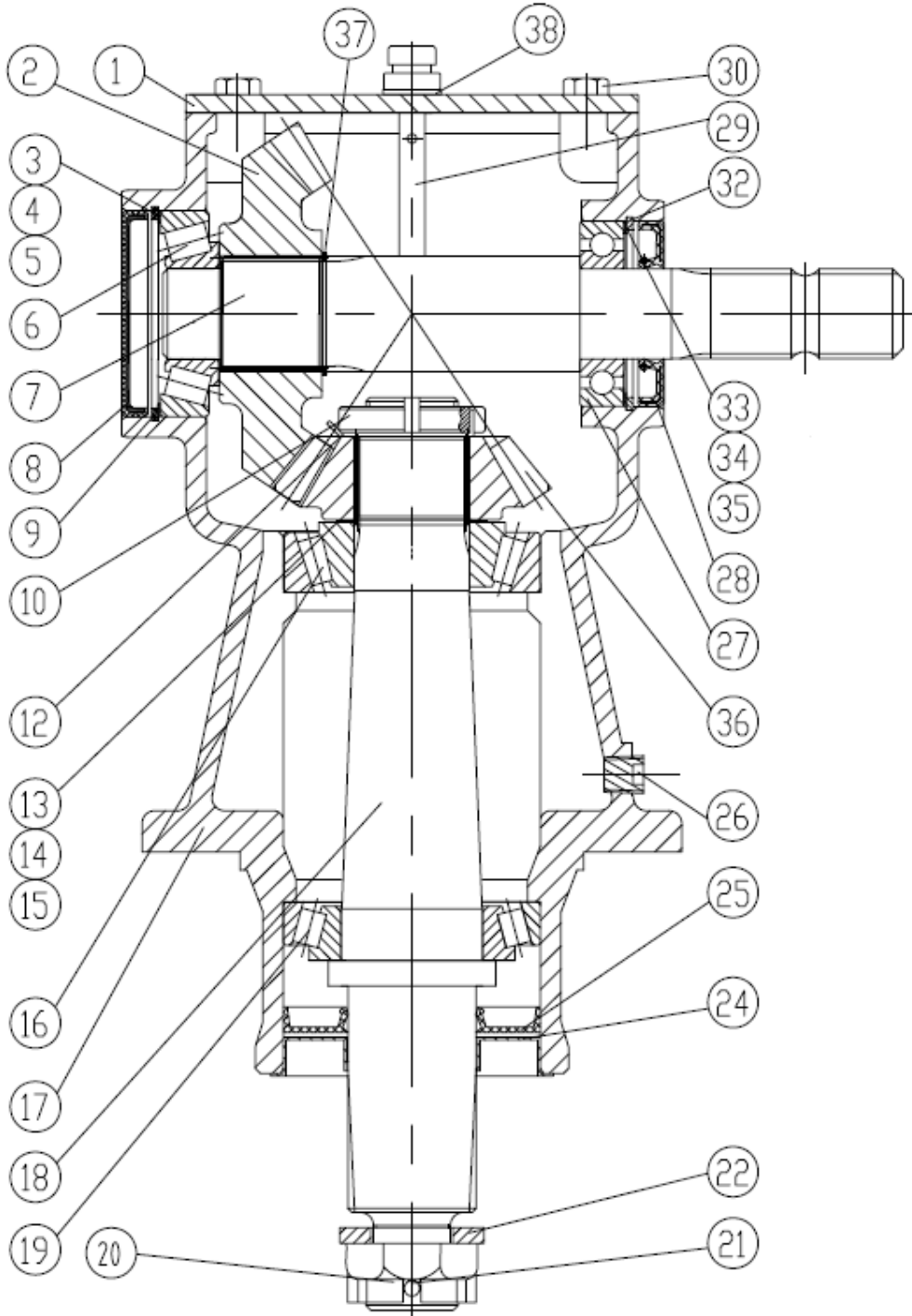
## 540RPM LH WING GEARBOX - WALTERSCHEID

REF.	PART No.	GERMAN DESCRIPTION	DANISH DESCRIPTION
	5770430	Getriebe Mitte Kpl.	Gearkasse midter kpl.
1	-	Deckel	Låg
2	5770430.01	Getreibe	Gear
3	-	Distanz scheiben	Shims
4	-	Distanz scheiben	Shims
5	-	Distanz scheiben	Shims
6	4771601	Lager	Leje
7	5770413.01	Eingangswelle	Indgangsaksel
8	4771124	Dichtung	Pakdåse
9	-	Lockring	Låsering
10	-	Mutter	Møtrik
12	-	Scheibe	Skive
13	-	Distanz scheiben	Shims
14	-	Distanz scheiben	Shims
15	n/a	Distanz scheiben	Shims
16	4771603	Lager	Leje
17	-	Gehäuse	boliger
18	5770430.02	Ausgangswelle	Udgangsaksel
19	4771602	Lager	Leje
20	-	Mutter	Møtrik
21	-	Splint	Rørsplit
22	-	Scheibe	Skive
24	5770420.01	Stahlschutz	Stålbeskyttelse
25	5770420.02	Dichtung	Tætning
26	-	Schraube	Prop
27	4771600	Lager	Leje
28	4771501	Dichtung	Tætning
29	5770420.06	Messstab	Målepind
30	-	Bolz	Bolt
31	-	Identifizierung	identifikation
32	-	Lockring	Låsering
33	-	Distanz scheiben	Shims
34	-	Distanz scheiben	Shims
35	-	Distanz scheiben	Shims
36	5770430.03	Getreibe	Gear
37	-	Lockring	Låsering
38	-	Scheibe	Skive



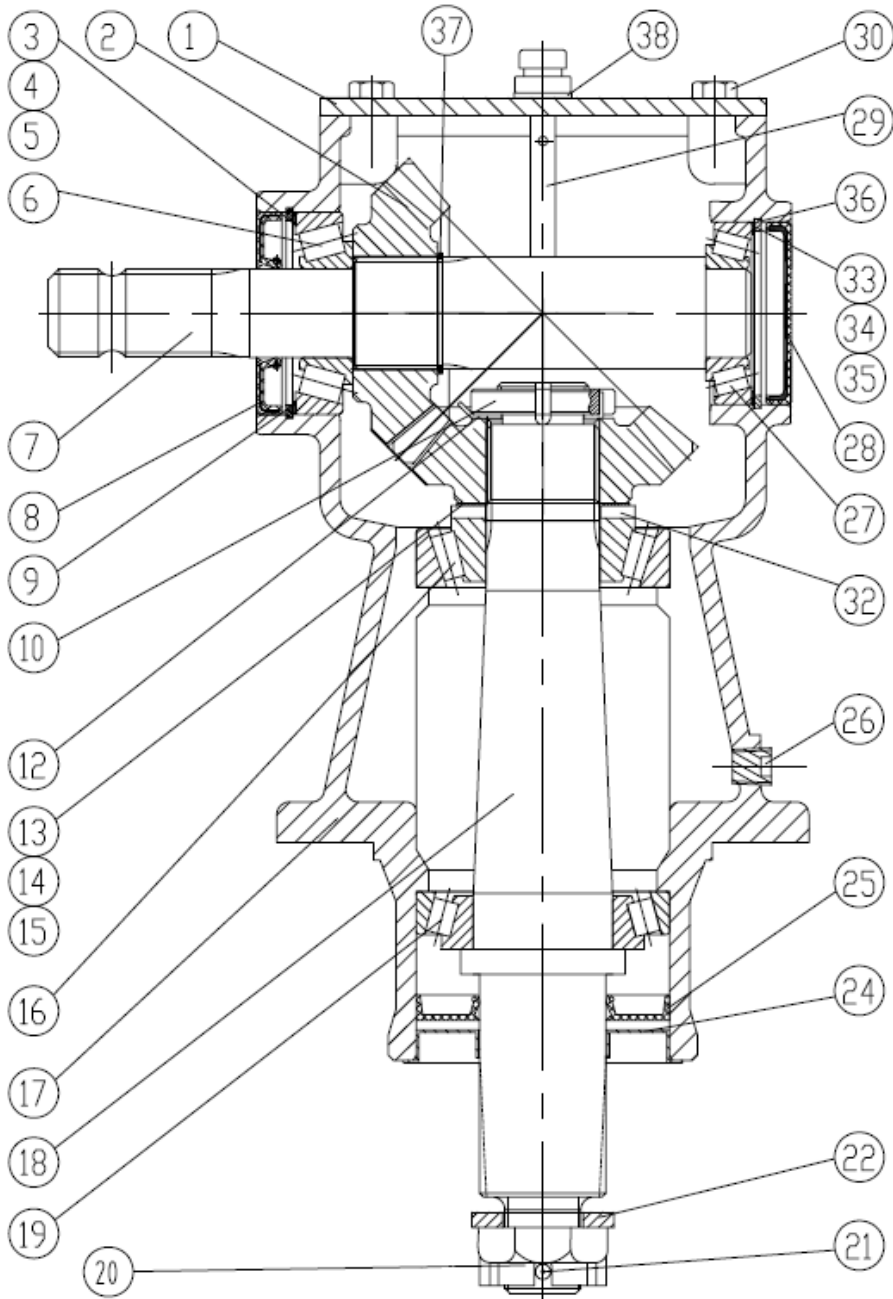
## 540RPM RH WING GEARBOX - WALTERSCHEID

REF.	PART No.	ENGLISH DESCRIPTION	FRENCH DESCRIPTION
	5770431	Centre Gearbox assembly	Boîte d'engrenages centrale
1	-	Cover	Couvercle
2	5770430.01	Centre Gear Z24	Engins
3	-	Shim	Cale
4	-	Shim	Cale
5	-	Shim	Cale
6	4771601	Bearing	Roulement
7	5770431.02	RH Shaft Z6	Arbre d'entrée
8	4771502	Cap RH	Joint à huile
9	-	Circlip	Bague élastique
10	-	Nut	Écrou
12	-	Washer	Rondelle
13	-	Shim	Cale
14	-	Shim	Cale
15	n/a	Shim	Cale
16	4771603	Bearing	Roulement
17	-	Housing	logement
18	5770430.02	Shaft	Arbre de sortie
19	4771602	Bearing	Roulement
20	-	Nut	Écrou
21	-	Pin	Goupille fendue
22	-	Washer	Rondelle
24	-	Cap	Bouclier
25	-	Seal	Joint d'étanchéité
26	-	Plug	Bouchon
27	4771600	Bearing	Roulement
28	4771501	Seal	Joint d'étanchéité
29	5770420.06	Dipstick	Jauge
30	-	Bolt	Boulon
31	-	Identification	identification
32	-	Circlip	Bague élastique
33	-	Shim	Cale
34	-	Shim	Cale
35	-	Shim	Cale
36	5770430.03	Gear Z16	Engins
37	-	Circlip	Bague élastique
38	-	Washer	Rondelle



## 540RPM RH WING GEARBOX - WALTERSCHEID

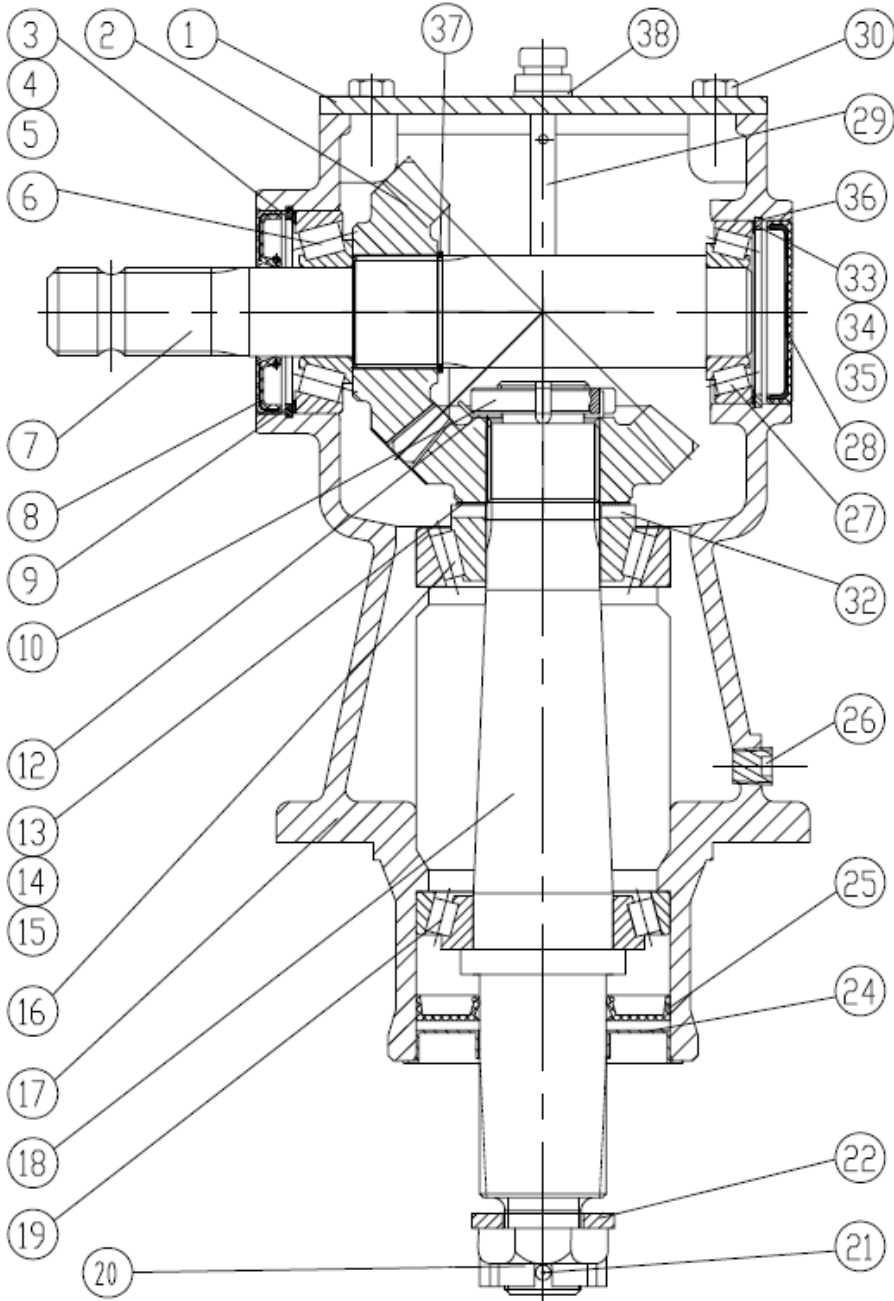
REF.	PART No.	GERMAN DESCRIPTION	DANISH DESCRIPTION
	5770431	Getriebe Mitte Kpl.	Gearkasse midter kpl.
1	-	Deckel	Låg
2	5770430.01	Getreibe	Gear
3	-	Distanz scheiben	Shims
4	-	Distanz scheiben	Shims
5	-	Distanz scheiben	Shims
6	4771601	Lager	Leje
7	5770431.02	Eingangswelle	Indgangsaksel
8	4771502	Dichtung	Pakdåse
9	-	Lockring	Låsering
10	-	Mutter	Møtrik
12	-	Scheibe	Skive
13	-	Distanz scheiben	Shims
14	-	Distanz scheiben	Shims
15	n/a	Distanz scheiben	Shims
16	4771603	Lager	Leje
17	-	Gehäuse	boliger
18	5770430.02	Ausgangswelle	Udgangsaksel
19	4771602	Lager	Leje
20	-	Mutter	Møtrik
21	-	Splint	Rørsplit
22	-	Scheibe	Skive
24	-	Stahlschutz	Stålbeskyttelse
25	-	Dichtung	Tætning
26	-	Schraube	Prop
27	4771600	Lager	Leje
28	4771501	Dichtung	Tætning
29	5770420.06	Messstab	Målepind
30	-	Bolz	Bolt
31	-	Identifizierung	identifikation
32	-	Lockring	Låsering
33	-	Distanz scheiben	Shims
34	-	Distanz scheiben	Shims
35	-	Distanz scheiben	Shims
36	5770430.03	Getreibe	Gear
37	-	Lockring	Låsering
38	-	Scheibe	Skive



## 1000RPM CENTRE GEARBOX - WALTERSCHEID

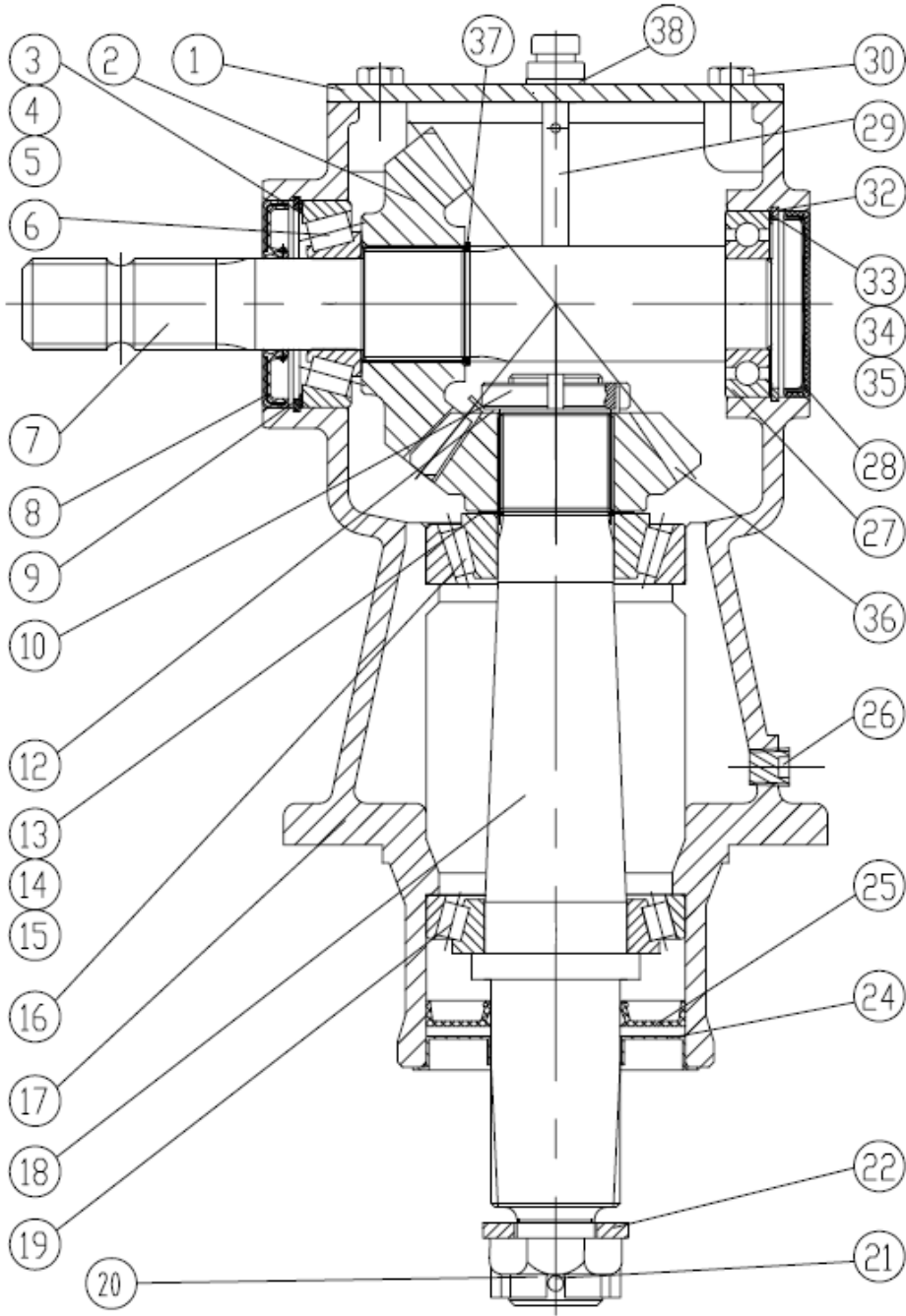
REF.	PART No.	ENGLISH DESCRIPTION	FRENCH DESCRIPTION
	5770412	Centre Gearbox assembly	Boîte d'engrenages centrale
1	-	Cover	Couvercle
2	5770412.01	Gear Z19	Engins
3	5770412.14	Shim	Cale
4	5770412.13	Shim	Cale
5	5770412.12	Shim	Cale
6	4771601	Bearing	Bearing
7	5770412.03	Shaft	Arbre d'entrée
8	4771124	Seal	Joint à huile
9	-	Circlip	Bague élastique
10	-	Nut	Écrou
12	-	Washer	Rondelle
13	5770412.09	Shim	Cale
14	5770412.10	Shim	Cale
15	5770412.11	Shim	Cale
16	4771603	Bearing	Roulement
17	-	Housing	logement
18	5770420.05	Shaft	Arbre de sortie
19	4771602	Bearing	Roulement
20	5770412.05	Nut	Écrou
21	-	Pin	Goupille fendue
22	-	Washer	Rondelle
24	5770420.01	Shield	Bouclier
25	5770420.02	Seal	Joint d'étanchéité
26	-	Plug	Bouchon
27	4770658	Bearing	Roulement
28	4771501	Seal	Joint d'étanchéité
29	5770420.06	Dipstick	Jauge
30	-	Bolt	Boulon
31	-	Identification	identification
32	-	Shim	Cale
33	5770412.06	Shim	Cale
34	5770412.07	Shim	Cale
35	5770412.08	Shim	Cale
36	-	Circlip	Bague élastique
37	-	Circlip	Bague élastique
38	-	Washer	Rondelle





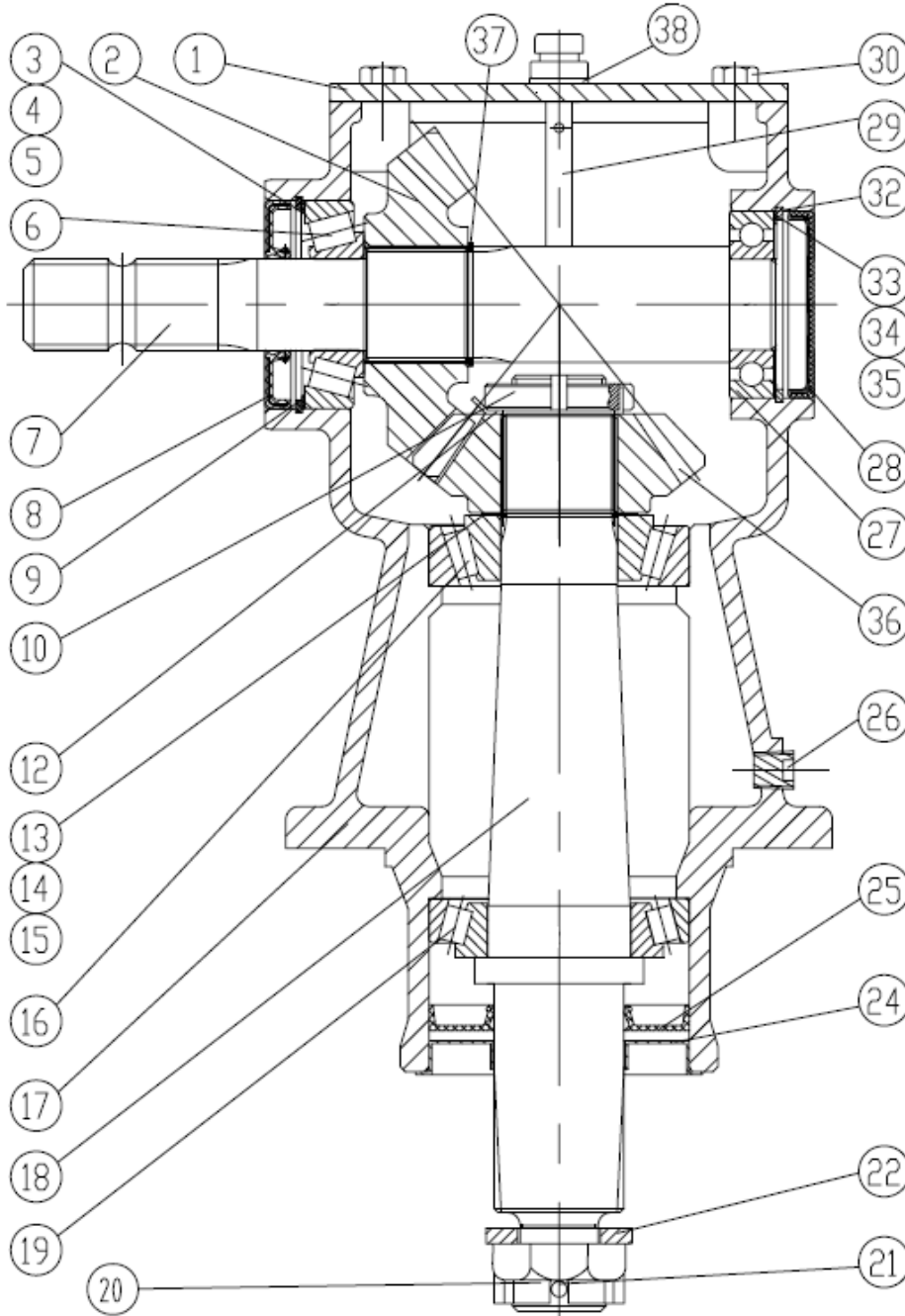
## 1000RPM CENTRE GEARBOX - WALTERSCHEID

REF.	PART No.	GERMAN DESCRIPTION	DANISH DESCRIPTION
	5770412	Getriebe Mitte Kpl.	Gearkasse midter kpl.
1	-	Deckel	Låg
2	5770412.01	Getriebe	Gear
3	5770412.14	Distanz scheiben	Shims
4	5770412.13	Distanz scheiben	Shims
5	5770412.12	Distanz scheiben	Shims
6	4771601	Roulement	Lager
7	5770412.03	Eingangswelle	Indgangsaksel
8	4771124	Dichtung	Pakdåse
9	-	Lockring	Låsering
10	-	Mutter	Møtrik
12	-	Scheibe	Skive
13	5770412.09	Distanz scheiben	Shims
14	5770412.10	Distanz scheiben	Shims
15	5770412.11	Distanz scheiben	Shims
16	4771603	Lager	Leje
17	-	Gehäuse	boliger
18	5770420.05	Ausgangswelle	Udgangsaksel
19	4771602	Lager	Leje
20	5770412.05	Mutter	Møtrik
21	-	Splint	Rørsplit
22	-	Scheibe	Skive
24	5770420.01	Stahlschutz	Stålbeskyttelse
25	5770420.02	Dichtung	Tætning
26	-	Schraube	Prop
27	4770658	Lager	Leje
28	4771501	Dichtung	Tætning
29	5770420.06	Messstab	Målepind
30	-	Bolz	Bolt
31	-	Identifizierung	identifikation
32	-	Distanz scheiben	Shims
33	5770412.06	Distanz scheiben	Shims
34	5770412.07	Distanz scheiben	Shims
35	5770412.08	Distanz scheiben	Shims
36	-	Lockring	Låsering
37	-	Lockring	Låsering
38	-	Scheibe	Skive



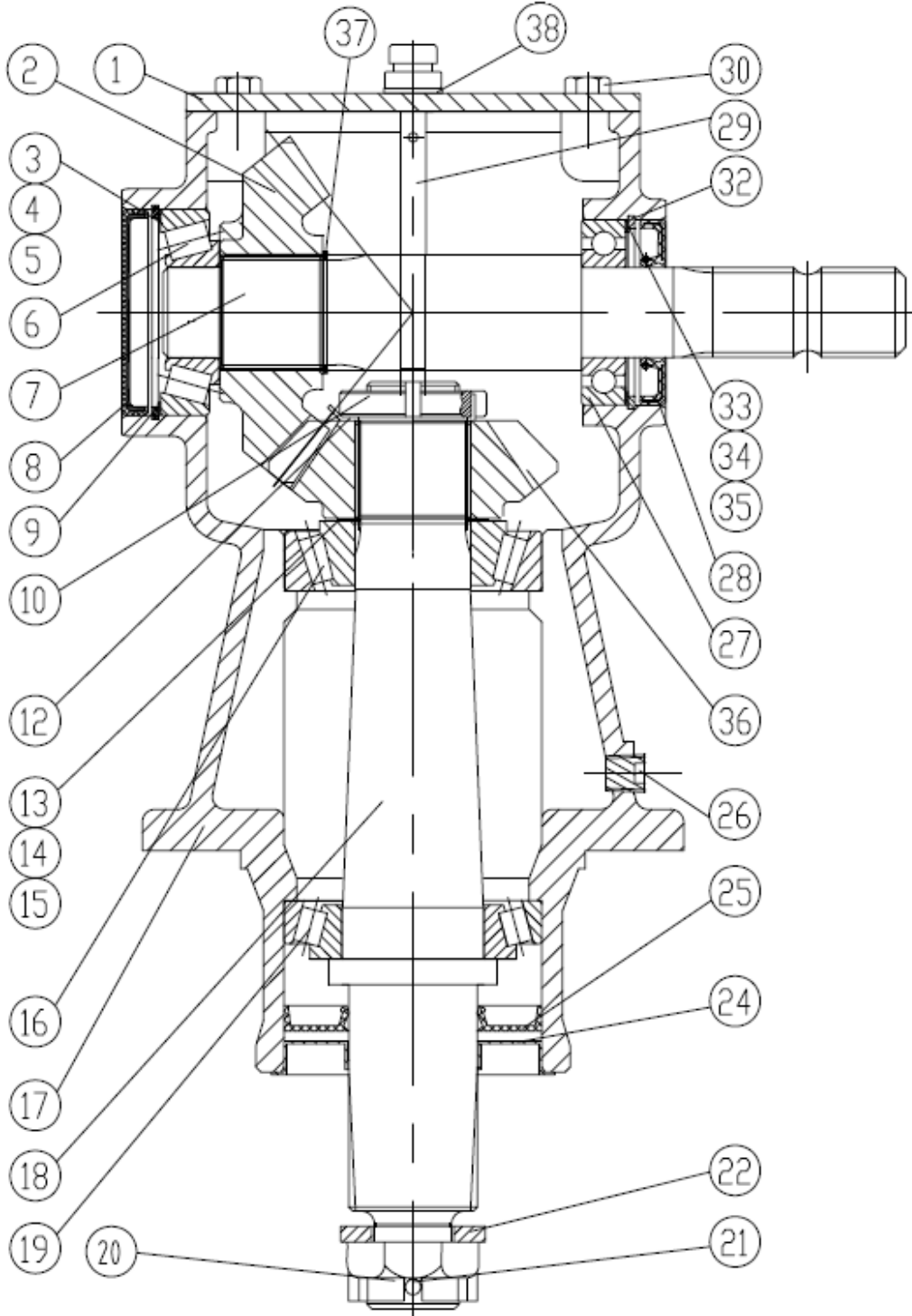
## 1000RPM LH WING GEARBOX - WALTERSCHEID

REF.	PART No.	ENGLISH DESCRIPTION	FRENCH DESCRIPTION
	5770413	LH Wing Gearbox assembly	Boîte d'engrenages
1	-	Cover	Couvercle
2	5770420.03	Gear Z20	Engins
3	5770412.14	Shim	Cale
4	5770412.13	Shim	Cale
5	5770412.12	Shim	Cale
6	4771601	Bearing	Roulement
7	5770413.01	Shaft Z6	Arbre d'entrée
8	4771124	Seal	Joint à huile
9	-	Circlip	Bague élastique
10	-	Nut	Écrou
12	-	Washer	Rondelle
13	5770412.09	Shim	Cale
14	5770412.10	Shim	Cale
15	5770412.11	Shim	Cale
16	4771603	Bearing	Roulement
17	-	Housing	logement
18	5770420.05	Shaft	Arbre de sortie
19	4771602	Bearing	Roulement
20	5770412.05	Nut	Écrou
21	-	Pin	Goupille fendue
22	-	Washer	Rondelle
24	5770420.01	Shield	Bouclier
25	5770420.02	Seal	Joint d'étanchéité
26	-	Plug	Bouchon
27	4771600	Bearing	Roulement
28	4771501	Seal	Joint d'étanchéité
29	5770420.06	Dipstick	Jauge
30	-	Bolt	Boulon
31	-	Identification	identification
32	-	Circlip	Bague élastique
33	5770412.06	Shim	Cale
34	5770412.07	Shim	Cale
35	5770412.08	Shim	Cale
36	5770420.07	Gear Z16	Engins
37	-	Circlip	Bague élastique
38	-	Washer	Rondelle



## 1000RPM LH WING GEARBOX - WALTERSCHEID

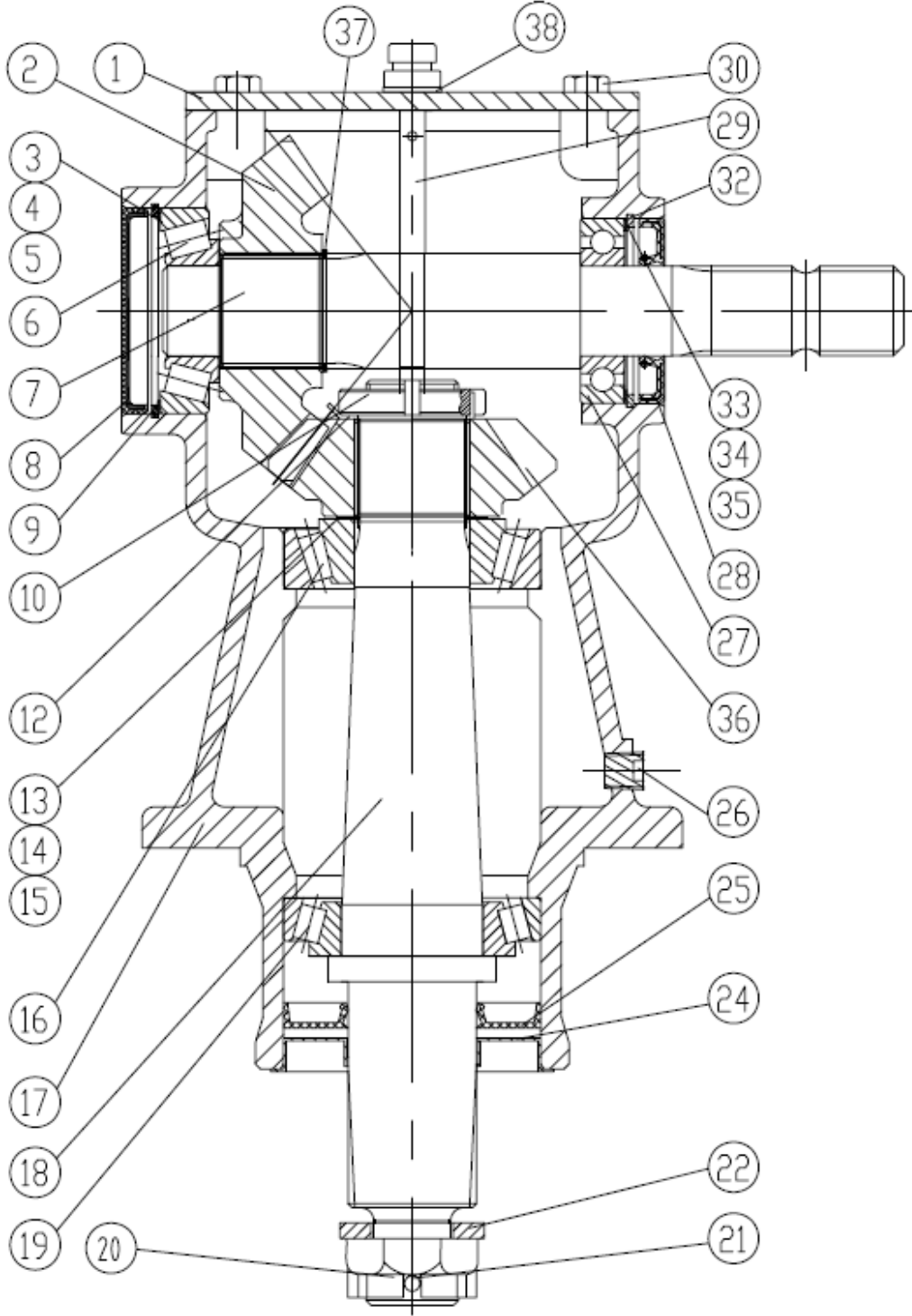
REF.	PART No.	GERMAN DESCRIPTION	DANISH DESCRIPTION
	5770413	Getriebe Mitte Kpl.	Gearkasse midter kpl.
1	-	Deckel	Låg
2	5770420.03	Getriebe	Gear
3	5770412.14	Distanz scheiben	Shims
4	5770412.13	Distanz scheiben	Shims
5	5770412.12	Distanz scheiben	Shims
6	4771601	Lager	Leje
7	5770413.01	Eingangswelle	Indgangsaksel
8	4771124	Dichtung	Pakdåse
9	-	Lockring	Låsering
10	-	Mutter	Møtrik
12	-	Scheibe	Skive
13	5770412.09	Distanz scheiben	Shims
14	5770412.10	Distanz scheiben	Shims
15	5770412.11	Distanz scheiben	Shims
16	4771603	Lager	Leje
17	-	Gehäuse	boliger
18	5770420.05	Ausgangswelle	Udgangsaksel
19	4771602	Lager	Leje
20	5770412.05	Mutter	Møtrik
21	-	Splint	Rørsplit
22	-	Scheibe	Skive
24	5770420.01	Stahlschutz	Stålbeskyttelse
25	5770420.02	Dichtung	Tætning
26	-	Schraube	Prop
27	4771600	Lager	Leje
28	4771501	Dichtung	Tætning
29	5770420.06	Messstab	Målepind
30	-	Bolz	Bolt
31	-	Identifizierung	identifikation
32	-	Lockring	Låsering
33	5770412.06	Distanz scheiben	Shims
34	5770412.07	Distanz scheiben	Shims
35	5770412.08	Distanz scheiben	Shims
36	5770420.07	Getriebe	Gear
37	-	Lockring	Låsering
38	-	Scheibe	Skive



## 1000RPM RH WING GEARBOX - WALTERSCHEID

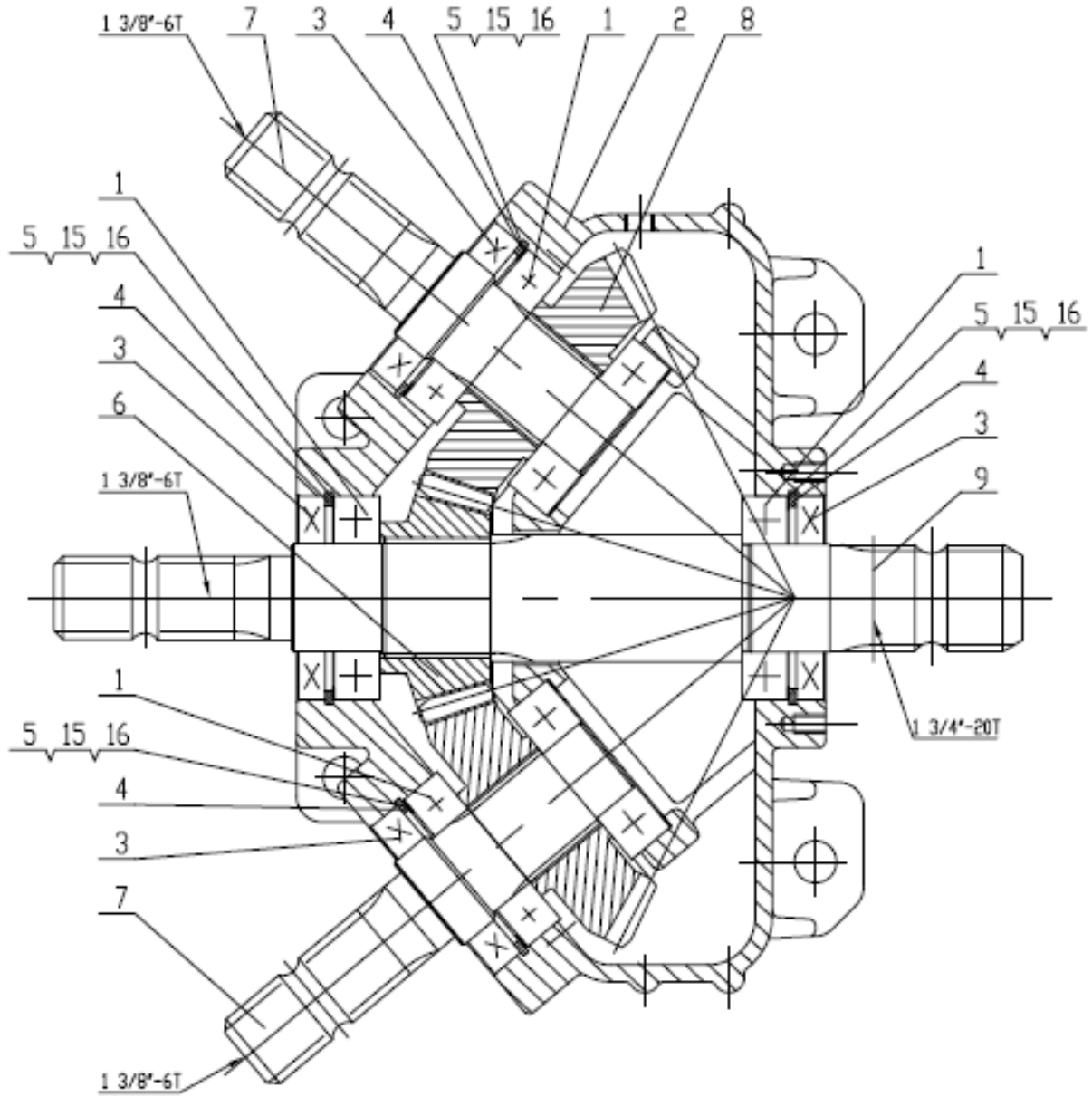
REF.	PART No.	ENGLISH DESCRIPTION	FRENCH DESCRIPTION
	5770414	RH Wing Gearbox assembly	Boîte d'engrenages
1	5770412.16	Cover	Couvercle
2	5770420.03	Gear Z20	Engins
3	5770412.14	Shim	Cale
4	5770412.13	Shim	Cale
5	5770412.12	Shim	Cale
6	4771601	Bearing	Roulement
7	5770431.02	Shaft Z6	Arbre d'entrée
8	4771502	Cap	Joint à huile
9	-	Circlip	Bague élastique
10	-	Nut	Écrou
12	-	Washer	Rondelle
13	5770412.09	Shim	Cale
14	5770412.10	Shim	Cale
15	5770412.11	Shim	Cale
16	4771603	Bearing	Roulement
17	-	Housing	logement
18	5770420.05	Shaft	Arbre de sortie
19	4771602	Bearing	Roulement
20	5770412.05	Nut	Écrou
21	-	Pin	Goupille fendue
22	-	Washer	Rondelle
24	5770420.01	Shield	Bouclier
25	5770420.02	Seal	Joint d'étanchéité
26	-	Plug	Bouchon
27	4771600	Bearing	Roulement
28	4771501	Seal	Joint d'étanchéité
29	5770420.06	Dipstick	Jauge
30	-	Bolt	Boulon
31	-	Identification	identification
32	-	Circlip	Bague élastique
33	5770412.06	Shim	Cale
34	5770412.07	Shim	Cale
35	5770412.08	Shim	Cale
36	5770420.07	Gear Z16	Engins
37	-	Circlip	Bague élastique
38	-	Washer	Rondelle





## 1000RPM RH WING GEARBOX - WALTERSCHEID

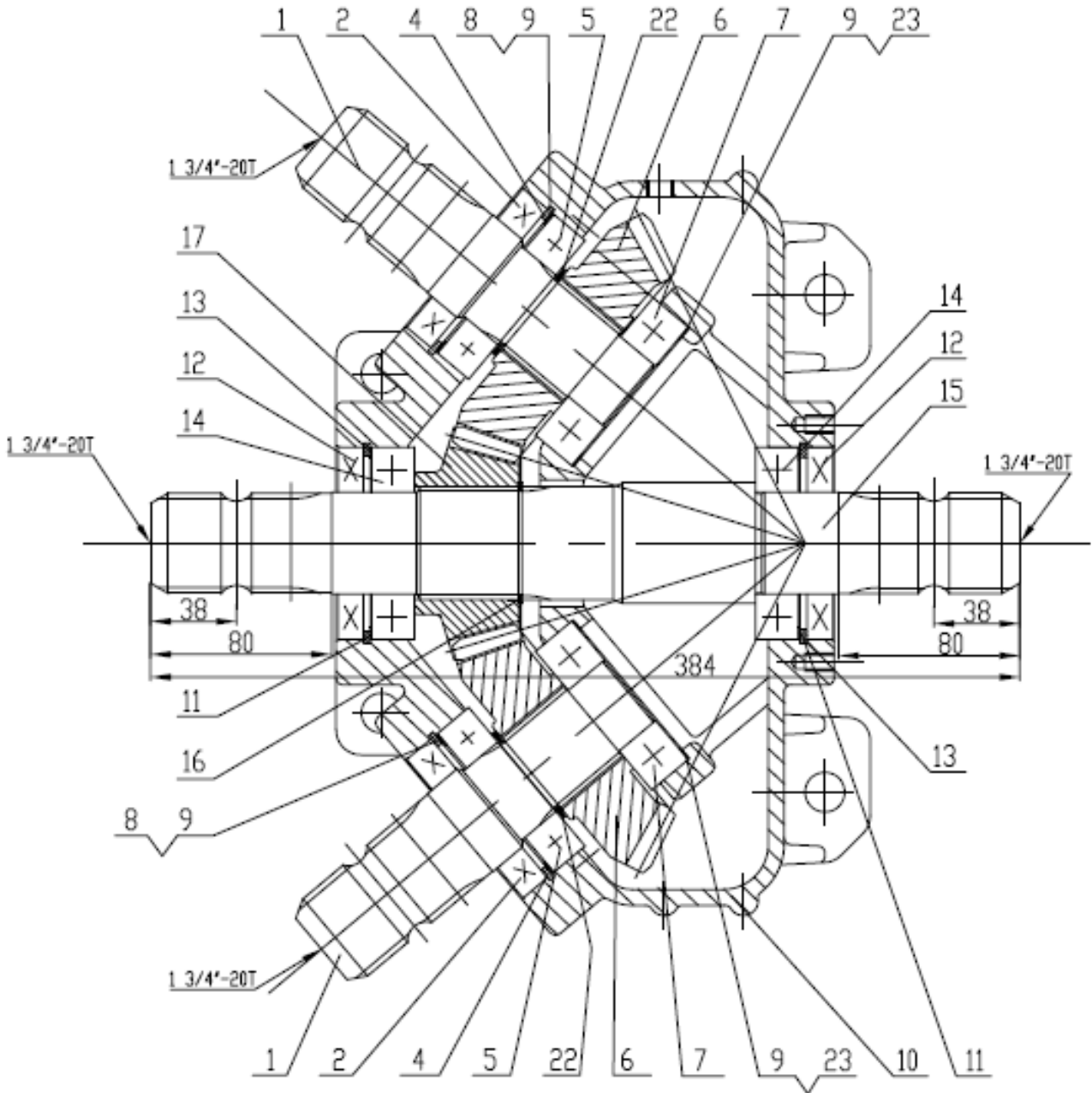
REF.	PART No.	GERMAN DESCRIPTION	DANISH DESCRIPTION
	5770414	Getriebe Mitte Kpl.	Gearkasse midter kpl.
1	5770412.16	Deckel	Låg
2	5770420.03	Getriebe	Gear
3	5770412.14	Distanz scheiben	Shims
4	5770412.13	Distanz scheiben	Shims
5	5770412.12	Distanz scheiben	Shims
6	4771601	Lager	Leje
7	5770431.02	Eingangswelle	Indgangsaksel
8	4771502	Dichtung	Pakdåse
9	-	Lockring	Låsering
10	-	Mutter	Møtrik
12	-	Scheibe	Skive
13	5770412.09	Distanz scheiben	Shims
14	5770412.10	Distanz scheiben	Shims
15	5770412.11	Distanz scheiben	Shims
16	4771603	Lager	Leje
17	-	Gehäuse	boliger
18	5770420.05	Ausgangswelle	Udgangsaksel
19	4771602	Lager	Leje
20	5770412.05	Mutter	Møtrik
21	-	Splint	Rørsplit
22	-	Scheibe	Skive
24	5770420.01	Stahlschutz	Stålbeskyttelse
25	5770420.02	Dichtung	Tætning
26	-	Schraube	Prop
27	4771600	Lager	Leje
28	4771501	Dichtung	Tætning
29	5770420.06	Messstab	Målepind
30	-	Bolz	Bolt
31	-	Identifizierung	identifikation
32	-	Lockring	Låsering
33	5770412.06	Distanz scheiben	Shims
34	5770412.07	Distanz scheiben	Shims
35	5770412.08	Distanz scheiben	Shims
36	5770420.07	Getriebe	Gear
37	-	Lockring	Låsering
38	-	Scheibe	Skive



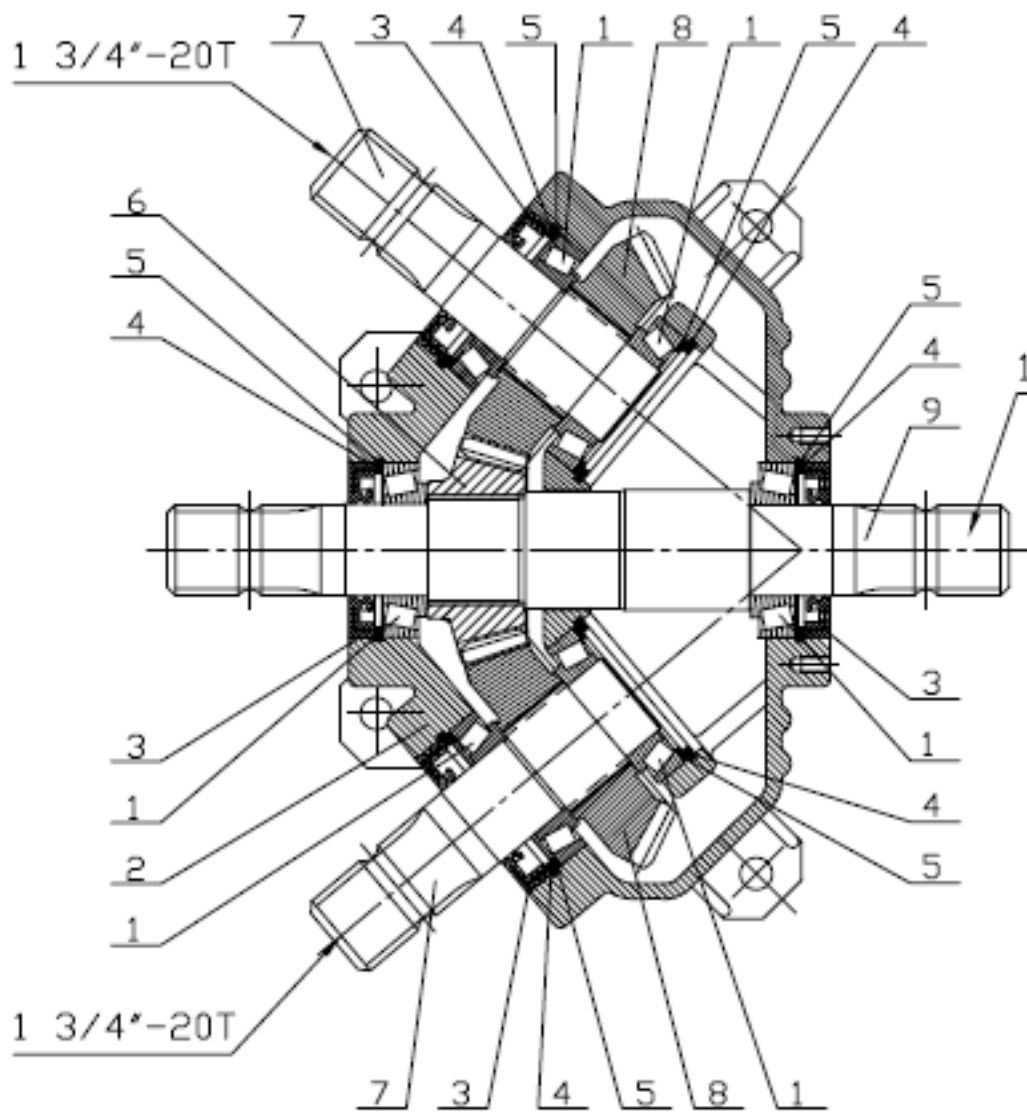
**540RPM SPLITTER BOX - WALTERSCHEID**

<b>REF.</b>	<b>PART No.</b>	<b>ENGLISH DESCRIPTION</b>	<b>FRENCH DESCRIPTION</b>
	5770428	Gearbox assembly (540rpm)	Boîte d'engrenages (540 trs/min)
1	5770428.01	Bearing	Roulement
2	n/a	Housing	logement
3	4771507	Seal	Joint d'étanchéité
4	-	Circlip	Bague élastique
5	-	Shim	Cale
6	5770428.02	Gear	Engins
7	5770428.03	Shaft Z6	Arbre de sortie
8	5770428.04	Gear	Engins
9	5770428.05	Shaft Z6 x Z20	Arbre d'entrée
10	-	Cover	Couvercle
11	-	Bolt	Boulon
12	-	Plug	Bouchon
13	-	Plug	Bouchon
14	n/a	Identification	identification
15	-	Shim	Cale
16	-	Shim	Cale

<b>REF.</b>	<b>PART No.</b>	<b>GERMAN DESCRIPTION</b>	<b>DANISH DESCRIPTION</b>
	5770428	Getriebe Kpl. 540 rpm	Gearkasse kpl. 540 rpm
1	5770428.01	Lager	Leje
2	n/a	Gehäuse	boliger
3	4771507	Dichtung	Tætning
4	-	Lockring	Låsering
5	-	Distanz scheiben	Shims
6	5770428.02	Getriebe	Gear
7	5770428.03	Ausgangswelle	Udgangsaksel
8	5770428.04	Getriebe	Gear
9	5770428.05	Eingangswelle	Indgangsaksel
10	-	Deckel	Låg
11	-	Bolz	Bolt
12	-	Schraube	Prop
13	-	Schraube	Prop
14	n/a	Identifizierung	identifikation
15	-	Distanz scheiben	Shims
16	-	Distanz scheiben	Shims



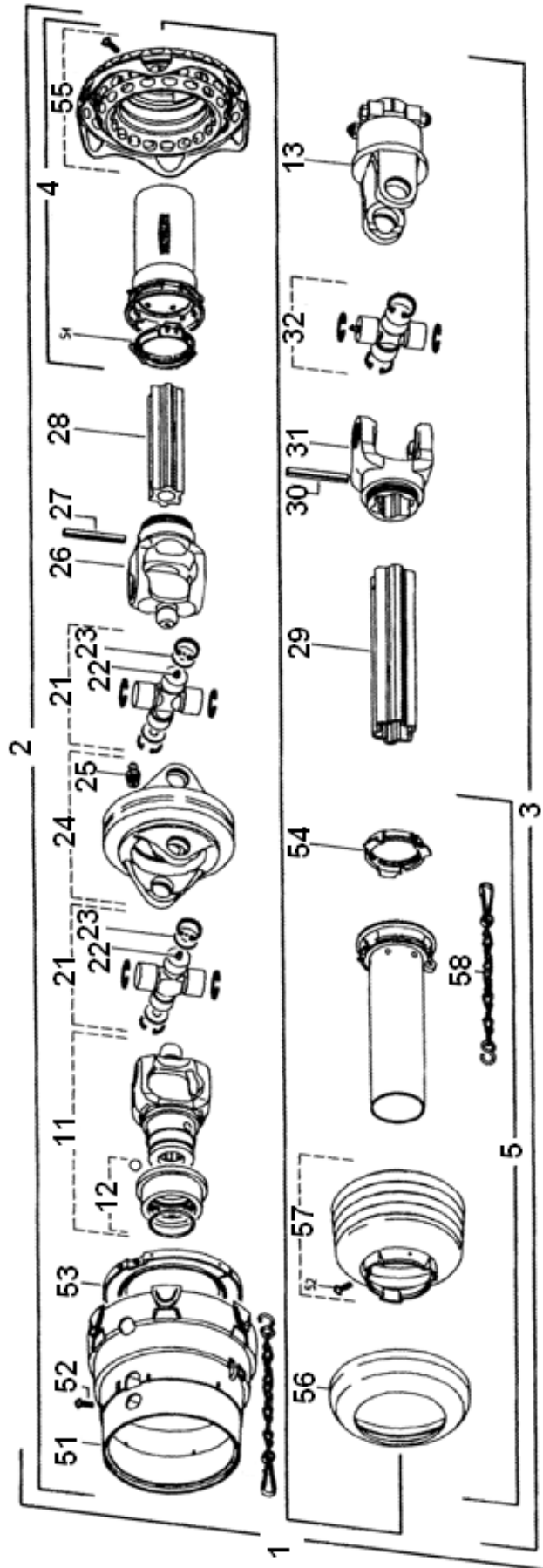
REF.	PART No.	ENGLISH DESCRIPTION	FRENCH DESCRIPTION
	5770419	Splitter gearbox	Boîte de transfert
1	5770419.01	Output shaft Z20	Arbre de sortie
2	4771504	Seal	Joint d'étanchéité
3	-	Plug	Bouchon
4	05.959.10	Circlip	Bague élastique
5	4771620	Bearing	Roulement
6	5770419.02	Gear	Engins
7	4771605	Bearing	Roulement
8	-	Shim	Cale
9	-	Shim	Cale
10	n/a	Housing	logement
11	05.959.07	Circlip	Bague élastique
12	4771507	Seal	Joint d'étanchéité
13	-	Shim	Cale
14	5770428.01	Bearing	Roulement
15	5770419.03	Shaft Z20	Arbre d'entrée
16	-	Circlip	Bague élastique
17	5770419.04	Gear	Engins
18	-	Plug	Bouchon
19	-	Spring washer	Rondelle
20	-	Bolt	Boulon
21	-	Cover	Couvercle
22	05.959.04	Circlip	Bague élastique
23	-	Shim	Cale
24	n/a	Identification	identification
REF.	PART No.	GERMAN DESCRIPTION	DANISH DESCRIPTION
	5770419	Verteilergetriebe	Fordelergearkasse
1	5770419.01	Ausgangswelle	Udgangsaksel
2	4771504	Dichtung	Tætning
3	-	Schraube	Prop
4	05.959.10	Lockring	Låsering
5	4771620	Lager	Leje
6	5770419.02	Getriebe	Gear
7	4771605	Lager	Leje
8	-	Distanz scheiben	Shims
9	-	Distanz scheiben	Shims
10	n/a	Gehäuse	boliger
11	05.959.07	Lockring	Låsering
12	4771507	Dichtung	Tætning
13	-	Distanz scheiben	Shims
14	5770428.01	Lager	Leje
15	5770419.03	Eingangswelle	Indgangsaksel
16	-	Lockring	Låsering
17	5770419.04	Getriebe	Gear
18	-	Schraube	Prop
19	-	Scheibe	Skive
20	-	Bolz	Bolt
21	-	Deckel	Låg
22	05.959.04	Lockring	Låsering
23	-	Distanz scheiben	Shims
24	n/a	Identifizierung	identifikation



REF.	PART No.	ENGLISH DESCRIPTION	FRENCH DESCRIPTION
	5770432	Splitter gearbox	Boîte de transfert
1	4770660	Bearing	Roulement
2	5770432.06	Housing	Boîtier
3	4771507	Seal	Joint d'étanchéité
4	05.959.07	Circlip	Bague élastique
5	5770428.09	Shim	Cale
6	5770432.01	Gear	Jeu d'engrenages
7	5770432.02	Output shaft	Arbre de sortie
8	5770432.03	Gear	Jeu d'engrenages
9	5770432.04	Input shaft	Arbre d'entrée
10	n/a	Cover	Couvercle
11	n/a	Bolt	Boulon
12	n/a	Spring washer	Rondelle
13	5770432.08	Plug	Bouchon
13	5770432.07	Dipstick	Jauge

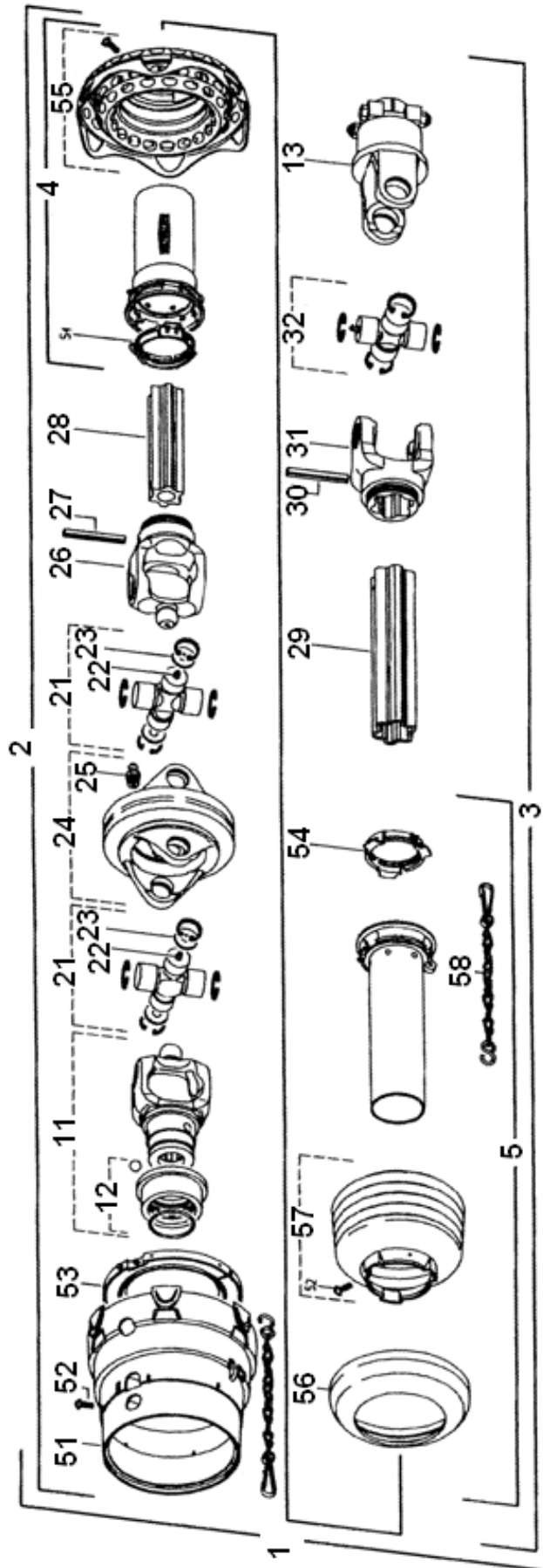
REF.	PART No.	GERMAN DESCRIPTION	DANISH DESCRIPTION
	5770432	Verteilergetriebe	Fordelergearkasse
1	4770660	Lager	Leje
2	5770432.06	Gussgehäuse	stemmer boliger
3	4771507	Dichtung	Tætning
4	05.959.07	Sicherungsring	Låsering
5	5770428.09	Distanz scheiben	Shims
6	5770432.01	Kegelradsatz	Gearhjulssæt
7	5770432.02	Ausgangswelle	Udgangsaksel
8	5770432.03	Kegelradsatz	Gearhjulssæt
9	5770432.04	Eingangswelle	Indgangsaksel
10	n/a	Kappe	Lag
11	n/a	Bolz	Bolt
12	n/a	Scheibe	Skive
13	5770432.08	Abzapfungs schraube	Aftapningsskrue
13	5770432.07	Messtab	Oliepind





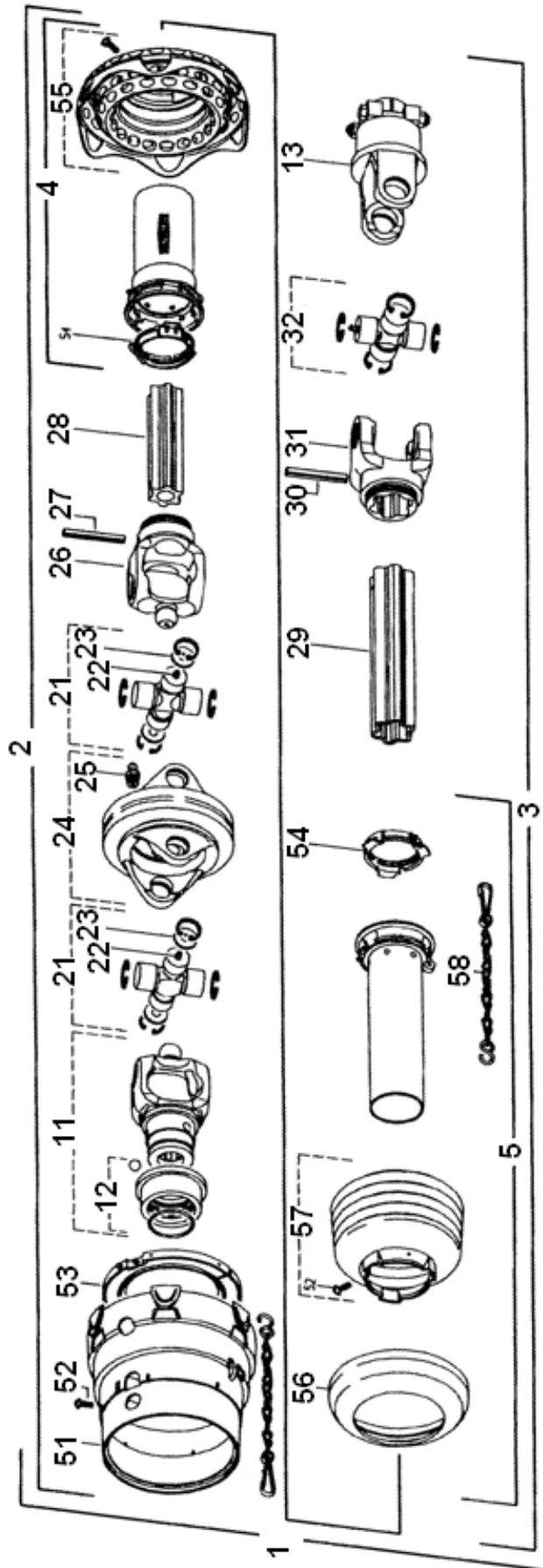
## 1000RPM INPUT PTO - WALTERSCHEID

REF.	PART No.	ENGLISH DESCRIPTION	FRENCH DESCRIPTION
	<b>5770418</b>	<b>PTO assembly 21 spline Walterscheid</b>	<b>Prise de mouvement à 21 cannelures</b>
	<b>5770415</b>	<b>PTO assembly 6 spline - Walterscheid</b>	<b>Prise de mouvement à 6 cannelures</b>
	5770415.01	Full guard	Capot de protection
2	n/a	½ PTO	n/a
3	n/a	½ PTO	n/a
4	5770415.02	½ guard	Semi-protection
5	5770415.03	½ guard	Semi-protection
11	5770415.04	Yoke z6 x 1 3/8"	Étrier
11	5770418.01	Yoke z21 x 1 3/8"	Étrier
12	n/a	Lock ring	Bague de libération
13	5770415.05	Overrun yoke	Embrayage à inertie
21	5770415.06	UJ	Cardan
22	n/a	Grease nipple	Embout de graissage
23	n/a	Shim	Cale
24	5770415.07	Centre body	Corps central
25	n/a	Grease nipple	Embout de graissage
26	5770415.08	Yoke	Étrier
27	n/a	Tension pin 10x80	Goupille fendue
28	5770415.09	Inner tube	Tube interne
29	5770415.10.	Outer tube	Tube externe
30	5770443.09	Yoke	Étrier
31	5770441.12	UJ	Cardan
51	n/a	Guard	Protection
52	n/a	Screw x 10	Vis
53	5770415.11	Bearing ring	Bague de roulement intérieur
54	5770440.15	Bearing ring	Bague de roulement intérieur
55	n/a	Guard	Protection
56	n/a	Guard	Protection
57	n/a	Guard	Protection
58	n/a	Chain	Chaîne
59	n/a	Chain	Chaîne



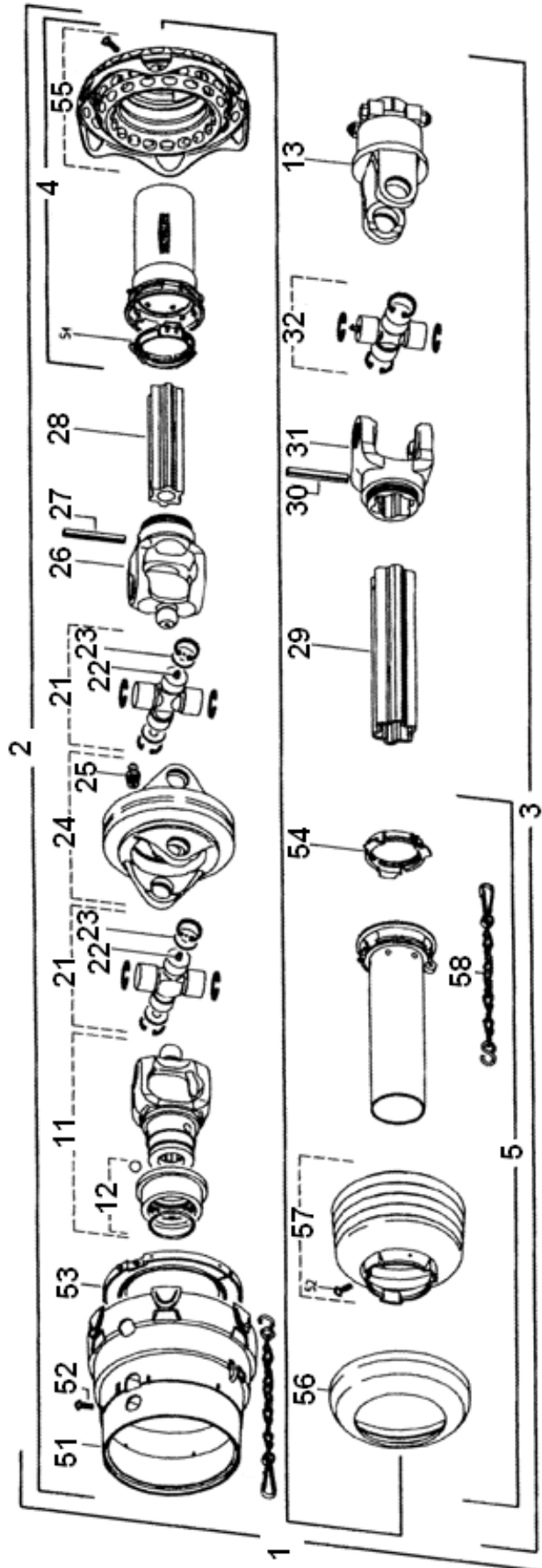
## 1000RPM INPUT PTO - WALTERSCHEID

REF.	PART No.	GERMAN DESCRIPTION	DANISH DESCRIPTION
	<b>5770418</b>	<b>Gelenkwelle Kpl. 21 nut</b>	<b>Kardan kpl. 21 spline</b>
	<b>5770415</b>	<b>Gelenkwelle Kpl. 6 nut</b>	<b>Kardan kpl. 6 spline</b>
	5770415.01	Schutz	Beskyttelse
2	n/a	n/a	n/a
3	n/a	n/a	n/a
4	5770415.02	Schutz Ausen	Beskyttelse inder
5	5770415.03	Schutz Ausen	Beskyttelse inder
11	5770415.04	Gabel 6 nut	Gaffel 6 spline
11	5770418.01	Gabel 6 nut	Gaffel 6 spline
12	n/a	Schnellwechsler	Lynskifte
13	5770415.05	Freilauf Kupplung	Friløbskobling
21	5770415.06	Kreuz	Kryds
22	n/a	Schmiernippel	Smørenippel
23	n/a	Distanz scheiben	Shims
24	5770415.07	Dobbel Gabel	Dobbelgaffel
25	n/a	Schmiernippel	Smørenippel
26	5770415.08	Gabel 6 nut	Gaffel 6 spline
27	n/a	Splint	Rørsplit
28	5770415.09	Rohr Innen	Rør inder
29	5770415.10.	Rohr Ausen	Rør yder
30	5770443.09	Gabel 6 nut	Gaffel 6 spline
31	5770441.12	Kreuz	Kryds
51	n/a	Schutz	Beskyttelse
52	n/a	Schraube	Skrue
53	5770415.11	Lager Innen	Leje yder
54	5770440.15	Lager Innen	Leje yder
55	n/a	Schutz	Beskyttelse
56	n/a	Schutz	Beskyttelse
57	n/a	Schutz	Beskyttelse
58	n/a	Kette	Kæde
59	n/a	Kette	Kæde



## 540RPM INPUT PTO - WALTERSCHEID

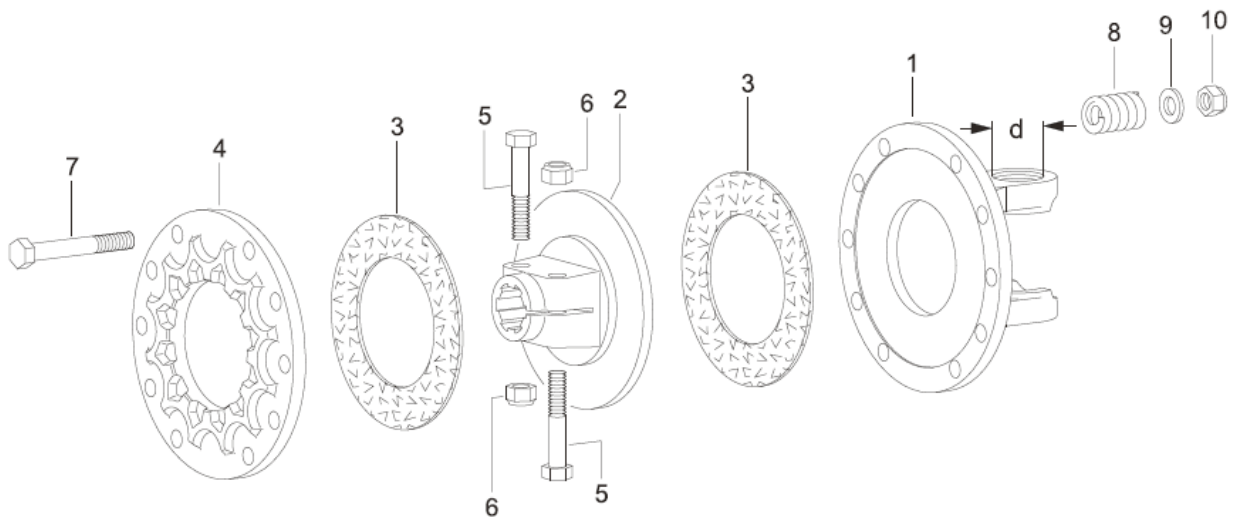
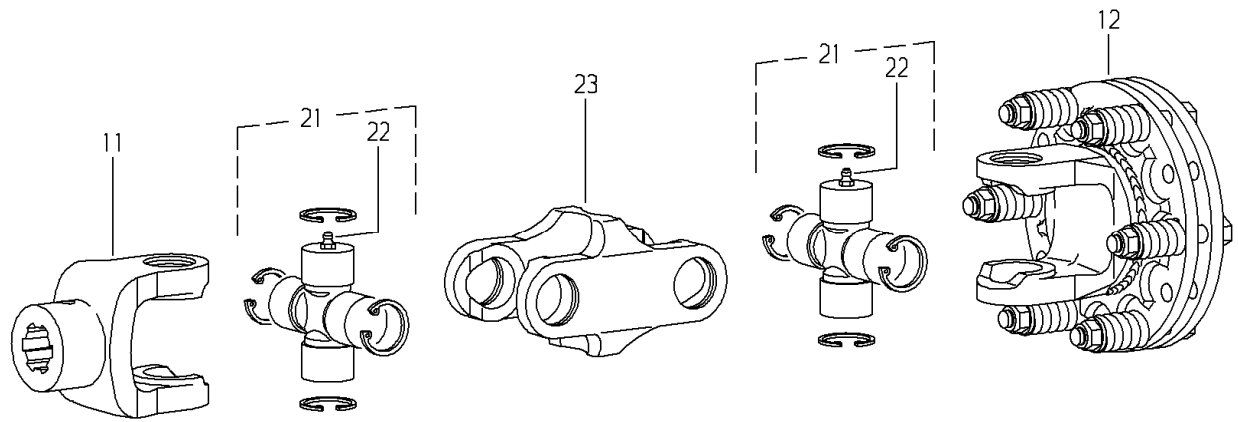
REF.	PART No.	ENGLISH DESCRIPTION	FRENCH DESCRIPTION
1	<b>5770444</b>	<b>PTO assembly 6 spline Walterscheid</b>	<b>Prise de mouvement à 6 cannelures</b>
	5770444.01	Full guard	Capot de protection
2	n/a	½ PTO	n/a
3	n/a	½ PTO	n/a
4	5770444.02	½ guard	Semi-protection
5	5770444.03	½ guard	Semi-protection
11	5770444.04	Yoke z6 x 1 3/8"	Étrier
12	n/a	Lock ring	Étrier
13	5770444.05	Overrun yoke	Bague de libération
21	5770440.07	UJ	Embrayage à inertie
22	n/a	Grease nipple	Cardan
23	n/a	Shim	Embout de graissage
24	5770444.06	Centre body	Cale
25	n/a	Grease nipple	Corps central
26	5770444.07	Yoke	Embout de graissage
27	n/a	Tension pin 10x80	Étrier
28	5770442.08	Inner tube	Goupille fendue
29	5770444.09	Outer tube	Tube interne
30	n/a	Tension pin 10x80	Tube externe
31	5770444.10.	Yoke	Étrier
32	5770442.06	UJ	Cardan
51	n/a	Guard	Protection
52	n/a	Screw x 10	Vis
53	5770440.14	Bearing ring	Bague de roulement intérieur
54	5770440.15	Bearing ring	Bague de roulement intérieur
55	n/a	Guard	Protection
56	n/a	Guard	Protection
57	n/a	Guard	Protection
58	n/a	Chain	Chaîne
59	n/a	Chain	Chaîne



## 540RPM INPUT PTO - WALTERSCHEID

REF.	PART No.	GERMAN DESCRIPTION	DANISH DESCRIPTION
1	<b>5770444</b>	<b>Gelenkwelle Kpl. 6 nut</b>	<b>Kardan kpl. 6 spline</b>
	5770444.01	Schutz	Beskyttelse
2	n/a	n/a	n/a
3	n/a	n/a	n/a
4	5770444.02	Schutz Ausen	Beskyttelse inder
5	5770444.03	Schutz Ausen	Beskyttelse inder
11	5770444.04	Gabel 6 nut	Gaffel 6 spline
12	n/a	Gabel 6 nut	Gaffel 6 spline
13	5770444.05	Schnellwechsler	Lynskifte
21	5770440.07	Freilauf Kupplung	Friløbskobling
22	n/a	Kreuz	Kryds
23	n/a	Schmiernippel	Smørenippel
24	5770444.06	Distanz scheiben	Shims
25	n/a	Dobbel Gabel	Dobbelgaffel
26	5770444.07	Schmiernippel	Smørenippel
27	n/a	Gabel 6 nut	Gaffel 6 spline
28	5770442.08	Splint	Rørsplit
29	5770444.09	Rohr Innen	Rør inder
30	n/a	Rohr Ausen	Rør yder
31	5770444.10.	Gabel 6 nut	Gaffel 6 spline
32	5770442.06	Kreuz	Kryds
51	n/a	Schutz	Beskyttelse
52	n/a	Schraube	Skrue
53	5770440.14	Lager Innen	Leje yder
54	5770440.15	Lager Innen	Leje yder
55	n/a	Schutz	Beskyttelse
56	n/a	Schutz	Beskyttelse
57	n/a	Schutz	Beskyttelse
58	n/a	Kette	Kæde
59	n/a	Kette	Kæde

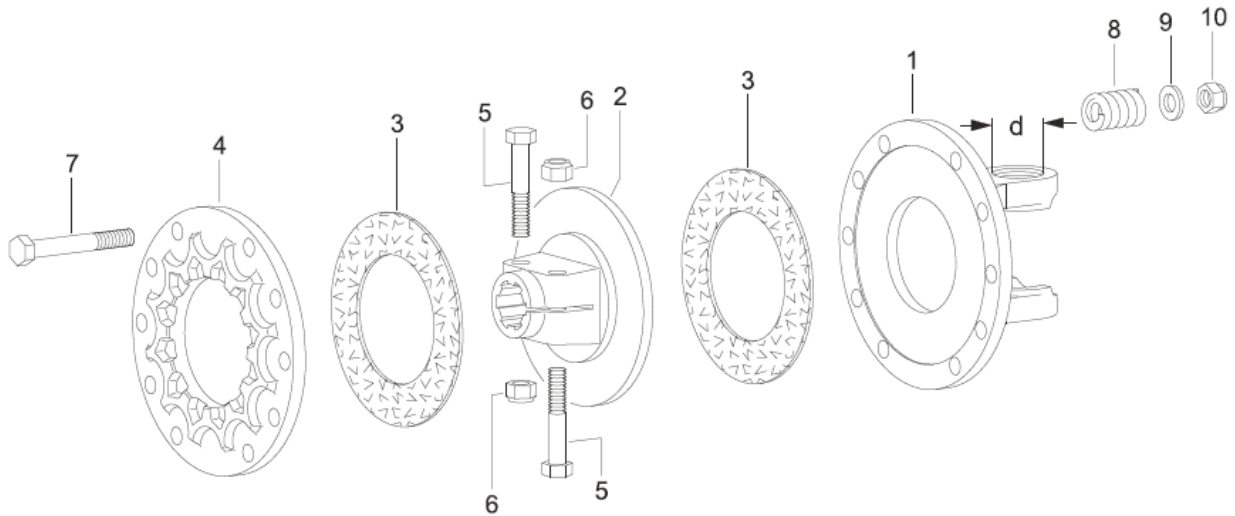
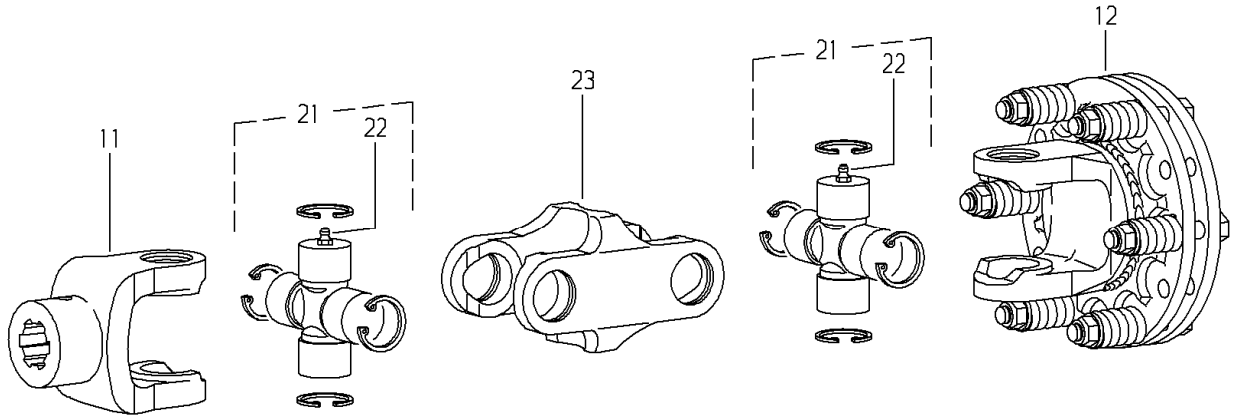




## 1000RPM CENTRE COUPLING - WALTERSCHEID

REF.	PART No.	ENGLISH DESCRIPTION	FRENCH DESCRIPTION
	5770441	Complete assembly	Ensemble complet
1	5770441.01	Flange yoke	Étrier à bride
2	5770416.04	Hub z20 x 1 3/4"	Moyeu
3	5770441.03	Friction disk	Disque de friction
4	5770441.04	Plate	Plaque
5	5770441.05	Bolt	Boulon
6	5770441.06	Nut	Écrou
7	5770441.07	Bolt	Boulon
8	5770441.08	Spring	Ressort
9	5770441.09	Washer	Rondelle
10	5770441.1	Nut	Écrou
11	5770416.02	Yoke z20 x 1 3/4"	Étrier
12	5770416.03	Clutch assy	Embrayage
21	5770445.03	UJ	Cardan
22	N/A	Grease nipple	Embout de graissage
23	5770445.04	Double yoke	Joint (dos à dos)

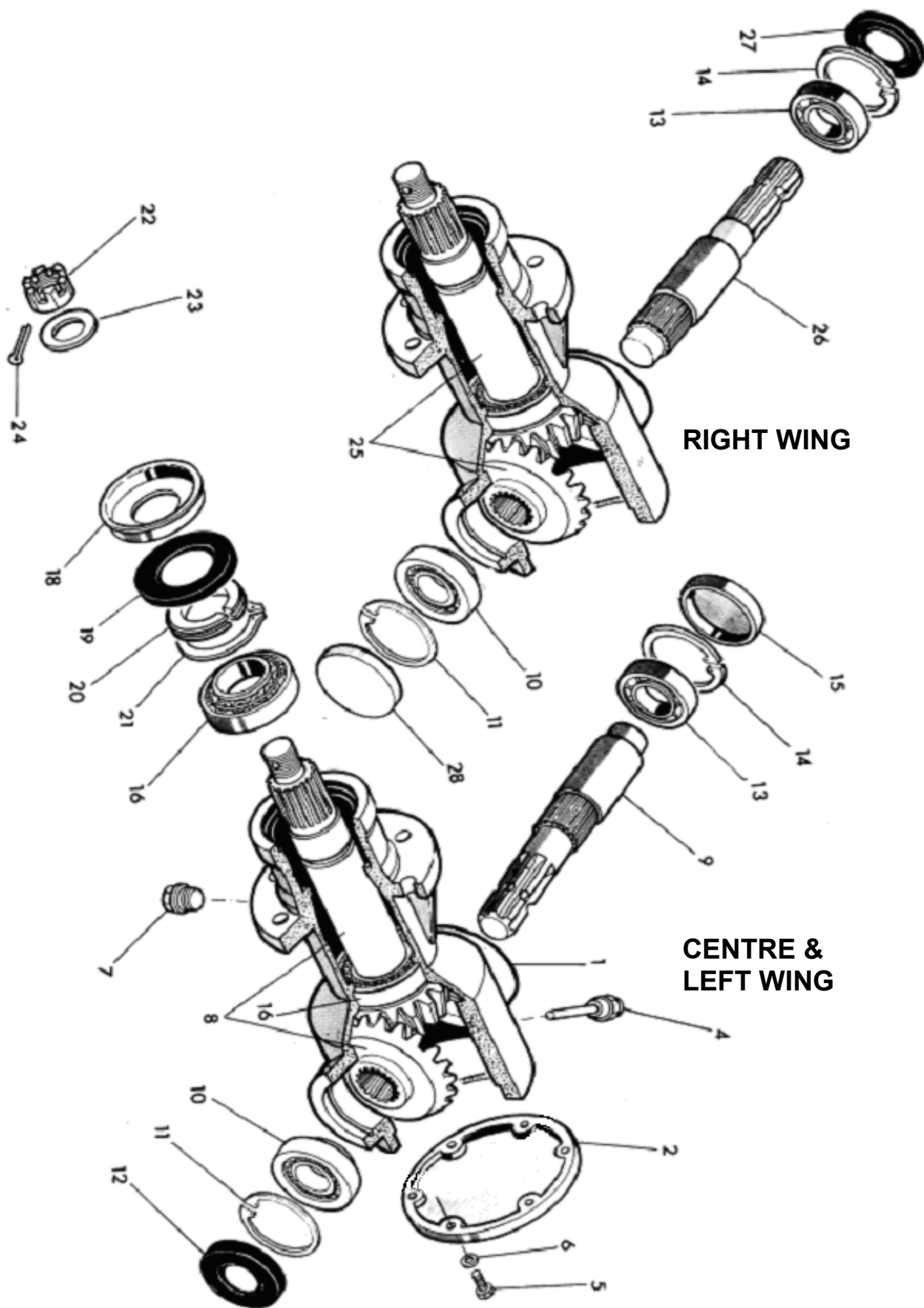
REF.	PART No.	GERMAN DESCRIPTION	DANISH DESCRIPTION
	5770441	Kupplung Kpl.	Kobling kpl.
1	5770441.01	Flanch Gabel	Flangegaffel
2	5770416.04	Nabe	Nav
3	5770441.03	Platte	Plade
4	5770441.04	Platte	Plade
5	5770441.05	Bolz	Bolt
6	5770441.06	Mutter	Møtrik
7	5770441.07	Bolz	Bolt
8	5770441.08	Federteller	Fjedertallerken
9	5770441.09	Scheibe	Skive
10	5770441.1	Mutter	Møtrik
11	5770416.02	Gabel	Gaffel
12	5770416.03	Kupplungsdruckplatte	kobling samling
21	5770445.03	Kreuz	Kryds
22	N/A	Schmiernippel	Smørenippel
23	5770445.04	Doppelgabel	Dobbeltgaffel



**540RPM CENTRE COUPLING - WALTERSCHEID**

<b>REF.</b>	<b>PART No.</b>	<b>ENGLISH DESCRIPTION</b>	<b>FRENCH DESCRIPTION</b>
	5770445	Complete assembly	Ensemble complet
1	5770445.01	Flange yoke	Étrier à bride
2	5770416.04	Hub z20 x 1 3/4"	Moyeu
3	5770441.03	Friction disk	Disque de friction
4	5770441.04	Plate	Plaque
5	5770441.05	Bolt	Boulon
6	5770441.06	Nut	Écrou
7	5770441.07	Bolt	Boulon
8	5770441.08	Spring	Ressort
9	5770441.09	Washer	Rondelle
10	5770441.1	Nut	Écrou
11	5770445.02	Yoke z6 x 1 3/8"	Étrier
12	5770443.05	Clutch assy	Embrayage
21	5770445.07	UJ	Cardan
22	n/a	Grease nipple	Embout de graissage
23	5770445.06	Double yoke	Joint (dos à dos)

<b>REF.</b>	<b>PART No.</b>	<b>GERMAN DESCRIPTION</b>	<b>DANISH DESCRIPTION</b>
	5770445	Kupplung Kpl.	Kobling kpl.
1	5770445.01	Flanch Gabel	Flangegaffel
2	5770416.04	Nabe	Nav
3	5770441.03	Platte	Plade
4	5770441.04	Platte	Plade
5	5770441.05	Bolz	Bolt
6	5770441.06	Mutter	Møtrik
7	5770441.07	Bolz	Bolt
8	5770441.08	Federteller	Fjedertallerken
9	5770441.09	Scheibe	Skive
10	5770441.1	Mutter	Møtrik
11	5770445.02	Gabel	Gaffel
12	5770443.05	Kupplungsdruckplatte	kobling samling
21	5770445.07	Kreuz	Kryds
22	n/a	Schmiernippel	Smørenippel
23	5770445.06	Doppelgabel	Dobbeltgaffel

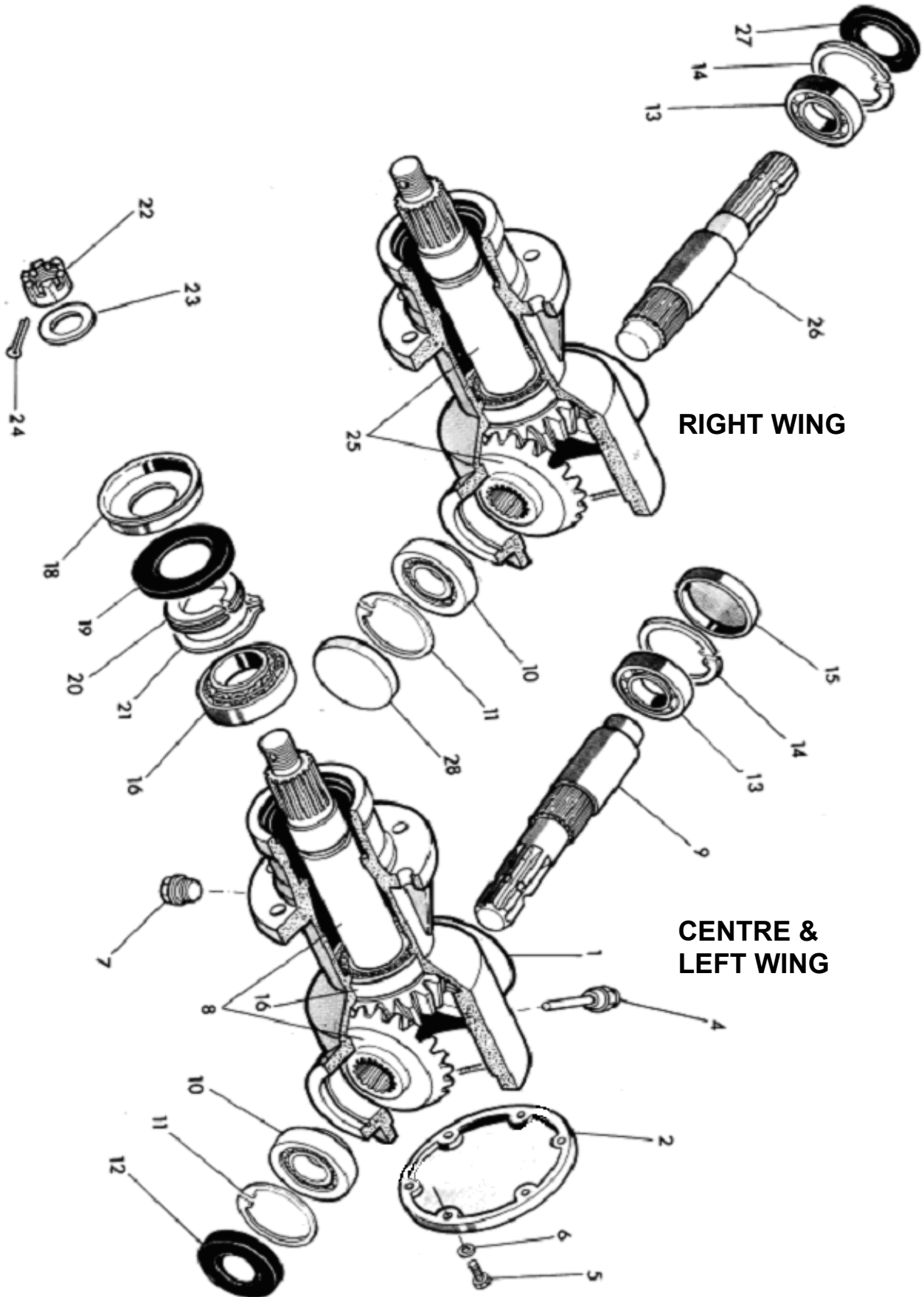


**RIGHT WING**

**CENTRE & LEFT WING**

## 540RPM WING &amp; CENTRE GEARBOXES - BONDIOLI

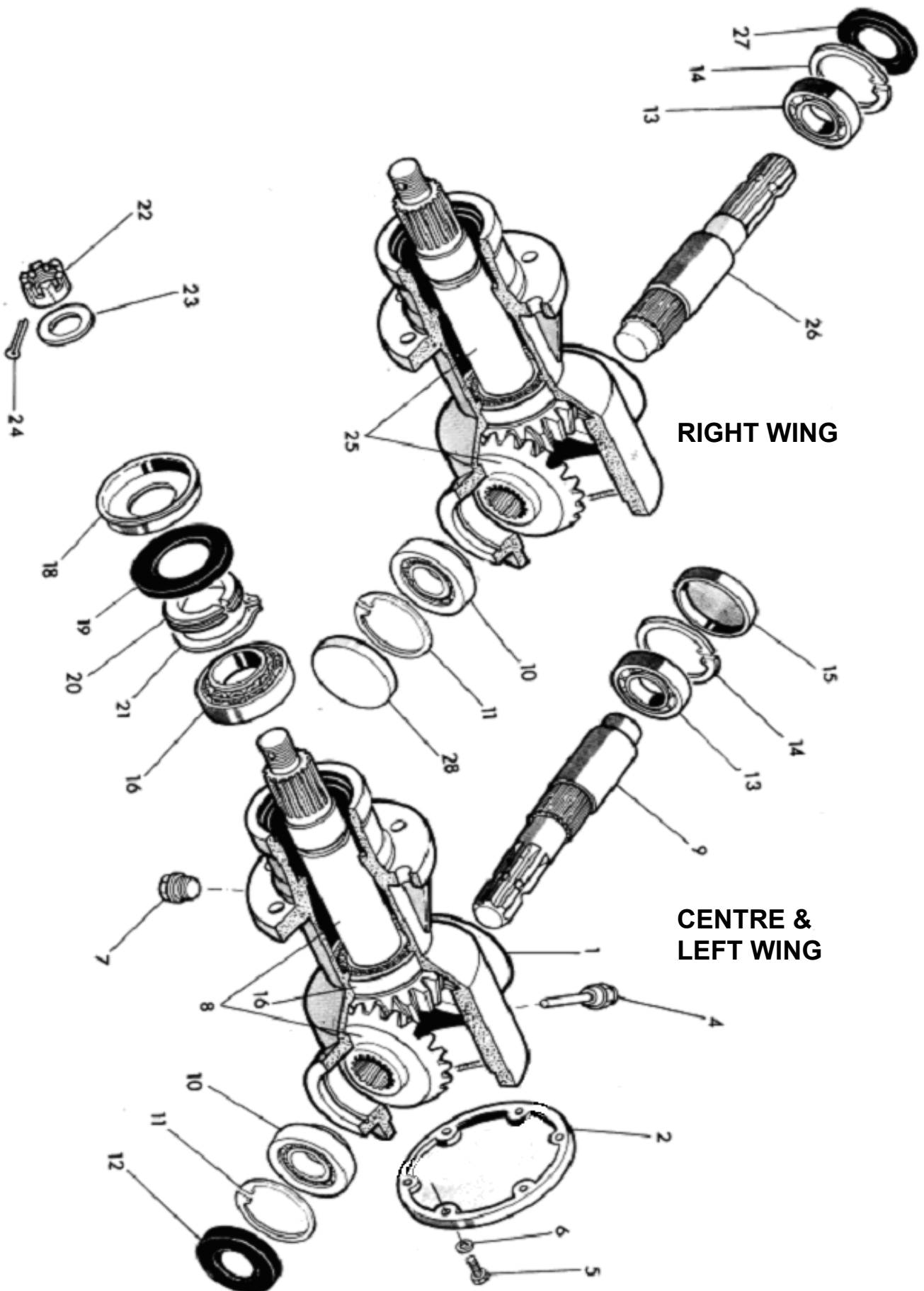
REF.	PART No.	ENGLISH DESCRIPTION	FRENCH DESCRIPTION
1	5770002	LH Gearbox assembly	Boîte d'engrenages de gauche
1	5770003	RH Gearbox assembly	Boîte d'engrenages de droite
1	5770004	Centre Gearbox assembly	Boîte d'engrenages centrale
2	5771401	Cover	Couvercle
4	5771416	Dipstick	Jauge
5	5771407	Bolt	Boulon
6	2771408	Washer	Rondelle
7	5771415	Plug	Bouchon
8	5771418	Gear set (Centre only)	Jeu d'engrenages (gauche et centre uniquement)
9	5771403R	Input shaft (LH & C only)	Arbre d'entrée (gauche et centre uniquement)
10	4771601	Bearing	Roulement
11	2771129	Circlip	Bague élastique
12	4771124	Oil seal (LH & C only)	Joint à huile (gauche et centre uniquement)
13	4771600	Bearing	Roulement
14	2771108	Circlip	Bague élastique
15	4771503	End cap (LH & C only)	Chapeau d'extrémité (gauche et centre)
16	4771602	Bearing	Roulement
18	5771406	Shield	Bouclier
19	4771500	Oil seal	Joint à huile
20	5771422	Collet	Collerette
21	2771600	Circlip	Bague élastique
22	5771409	Nut	Écrou
23	5771410	Washer	Rondelle
24	2770477	Pin	Broche
25	5771419	Gear set (RH & LH only)	Jeu d'engrenages (droite uniquement)
26	5771403F	Input shaft (RH only)	Arbre d'entrée (droite uniquement)
27	4771501	Oil seal (RH only)	Joint à huile (droite uniquement)
28	4771502	End cap (RH only)	Chapeau d'extrémité (droite uniquement)
29	5771423	Shim set	Jeu de cales



## 540RPM WING &amp; CENTRE GEARBOXES - BONDIOLI

REF.	PART No.	GERMAN DESCRIPTION	DANISH DESCRIPTION
1	5770002	LH Getriebe Kpl.	LH Gearkasse kpl.
1	5770003	RH Getriebe Kpl.	RH Gearkasse kpl.
1	5770004	Getriebe Mitte Kpl.	Gearkasse midter kpl.
2	5771401	Deckel	Låg
4	5771416	Messstab	Målepind
5	5771407	Bolz	Bolt
6	2771408	Scheibe	Skive
7	5771415	Schraube	Prop
8	5771418	Zahnrad Kpl. LH & Mitte	Gearsæt LH & midter
9	5771403R	Eingangswelle nur LH & Mitte	Gearsæt LH & midter
10	4771601	Lager	Leje
11	2771129	Lockring	Låsering
12	4771124	Dichtung nur LH & Mitte	Pakdåse LH & midter
13	4771600	Lager	Leje
14	2771108	Lockring	Låsering
15	4771503	Dichtung nur LH & Mitte	Pakning LH & midter
16	4771602	Lager	Leje
18	5771406	Stahlschutz	Stålbeskyttelse
19	4771500	Dichtung	Pakdåse
20	5771422	Halb mond 1 stck.	Halvmåne 1 stk.
21	2771600	Lockring	Låsering
22	5771409	Mutter	Møtrik
23	5771410	Scheibe	Skive
24	2770477	Splint	Split
25	5771419	Zahnrad Kpl. nur RH	Gearsæt kpl. kun RH
26	5771403F	Eingangswelle nur RH	Indgangsaksel kun RH
27	4771501	Dichtung nur RH	Pakdåse kun RH
28	4771502	Dichtung nur RH	Pakdåse kun RH
29	5771423	Distanzscheibe satz	Shims sæt



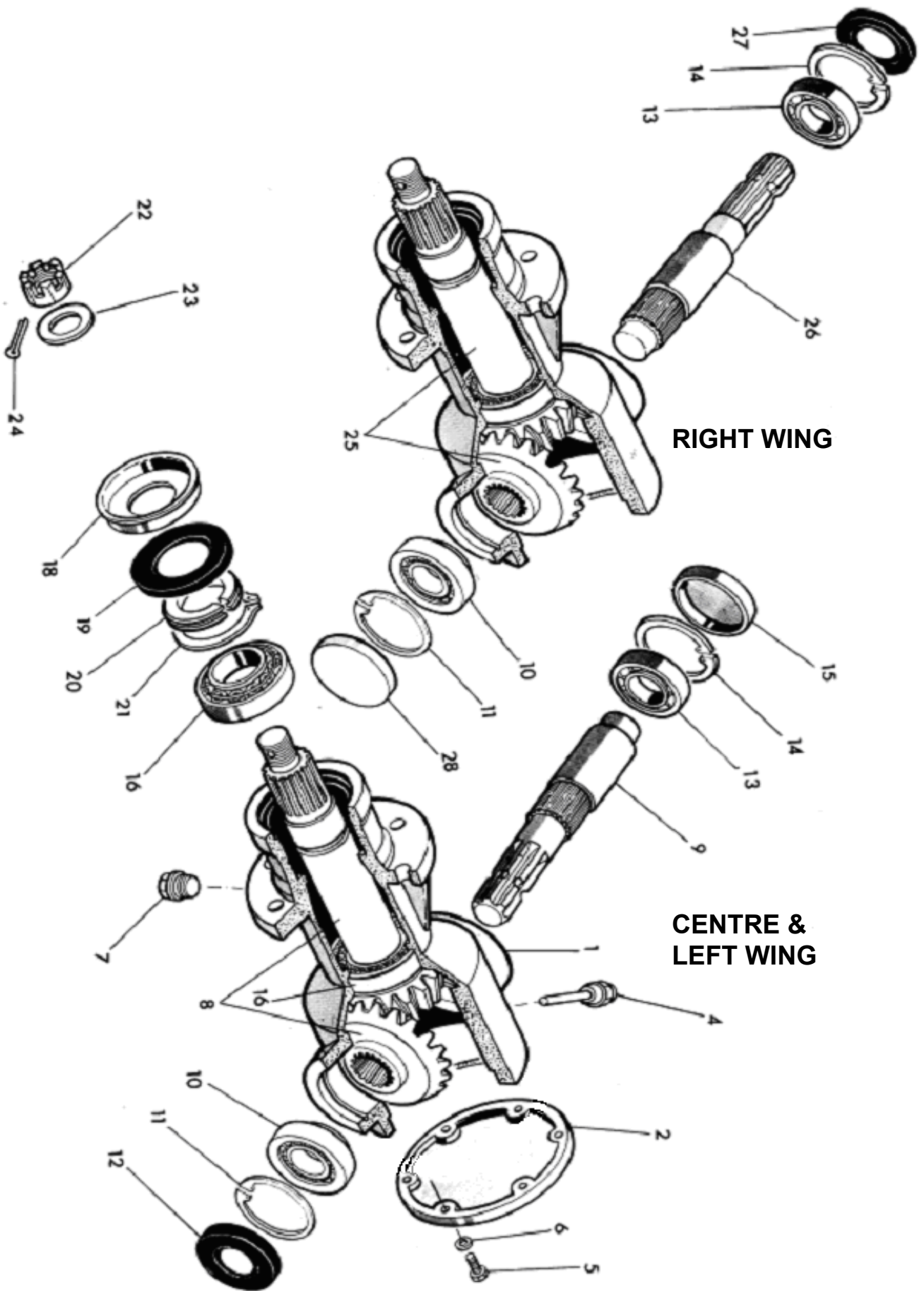


**RIGHT WING**

**CENTRE &  
LEFT WING**

## 1000RPM WING &amp; CENTRE GEARBOXES - BONDIOLI

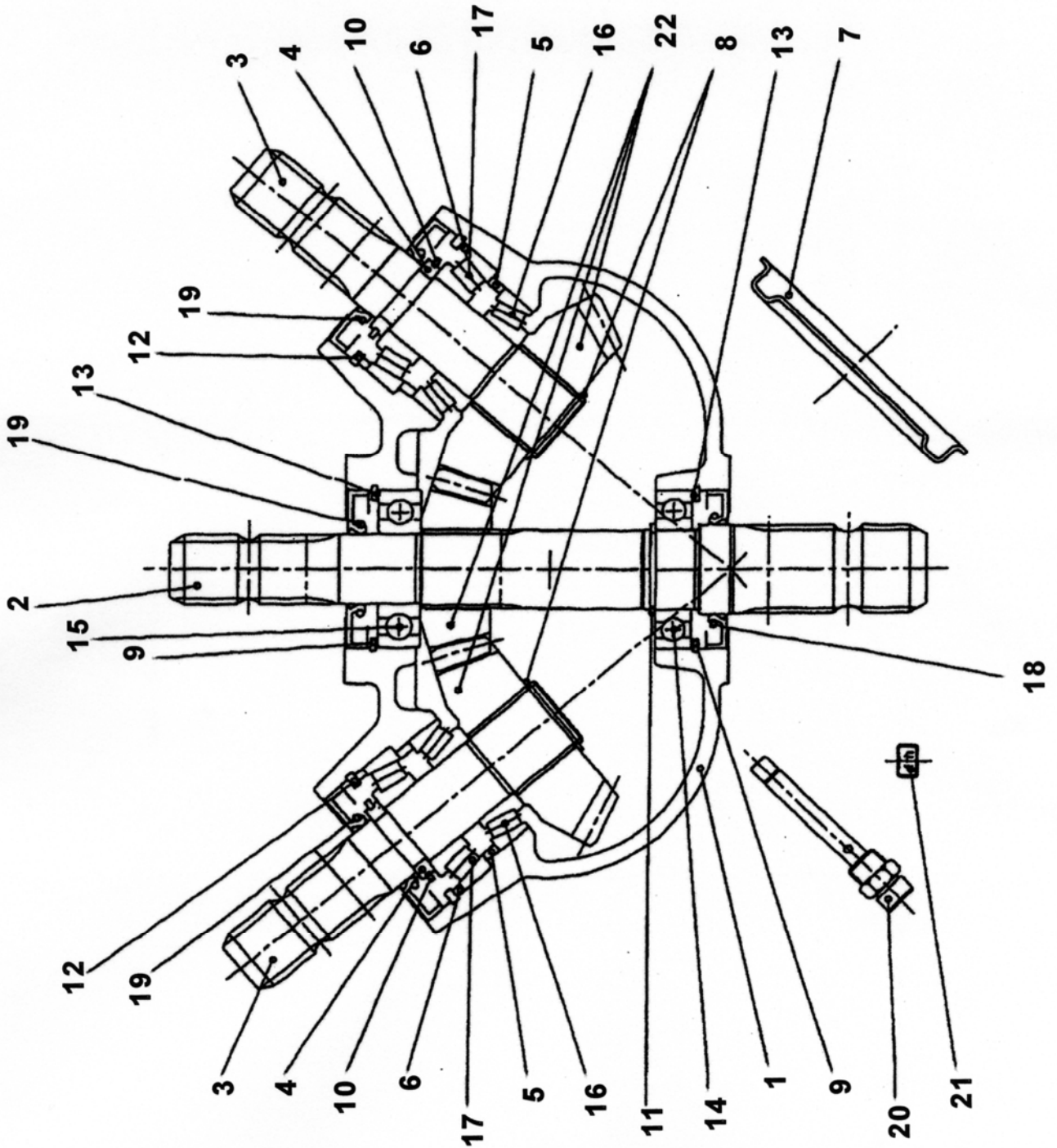
REF.	PART No.	ENGLISH DESCRIPTION	FRENCH DESCRIPTION
	5770007	LH Gearbox assembly	Boîte d'engrenages de gauche
	5770006	RH Gearbox assembly	Boîte d'engrenages de droite
	5770005	Centre Gearbox assembly	Boîte d'engrenages centrale
1	n/a		
2	5771401	Cover (LH & RH)	Couvercle (gauche et droite)
	5771481	Cover (Centre)	Couvercle (centre)
4	5771416	Dipstick (LH & RH)	Jauge d'huile (gauche et droite)
	5771482	Dipstick (Centre)	Jauge d'huile (centre)
5	5771407	Bolt	Boulon
6	2771408	Washer	Rondelle
7	5771415	Plug	Bouchon
8	5771420	Gear set (LH)	Jeu d'engrenages (gauche)
	5771417	Gear set (Centre)	Jeu d'engrenages (centre)
9	5771403R	Input shaft (LH)	Arbre d'entrée (gauche)
	5771403C	Input shaft (Centre)	Arbre d'entrée (centre)
10	4771601	Bearing	Roulement
11	2771129	Circlip	Bague élastique
12	4771124	Oil seal (LH & C only)	Joint à huile (gauche et centre uniquement)
13	4771600	Bearing (LH & RH)	Roulement (gauche et droite)
	4770658	Bearing (Centre)	Roulement (centre)
14	2771108	Circlip	Bague élastique
15	4771503	End cap (LH & C only)	Chapeau d'extrémité (gauche et centre)
16	4771602	Bearing	Roulement
	4771603	Top bearing (Centre)	Roulement supérieur (centre)
18	5771406	Shield	Bouclier
19	4771500	Oil seal	Joint à huile
20	5771422	Collet (LH & RH)	Collerette (gauche et droite)
21	2771600	Circlip (LH & RH)	Bague élastique (gauche et droite)
22	5771409	Nut (LH & RH)	Écrou (gauche et droite)
	5771411	Nut (Centre)	Écrou (centre)
23	5771410	Washer (LH & RH)	Rondelle (gauche et droite)
	5771412	Washer (Centre)	Rondelle (centre)
24	2770477	Pin	Broche
25	5771420	Gear set (RH only)	Jeu d'engrenages (droite uniquement)
26	5771403F	Input shaft (RH only)	Arbre d'entrée (droite uniquement)
27	4771501	Oil seal (RH only)	Joint à huile (droite uniquement)
28	4771502	End cap (RH only)	Chapeau d'extrémité (droite uniquement)
	5771423	Shim set	Jeu de cales



**RIGHT WING**

**CENTRE &  
LEFT WING**

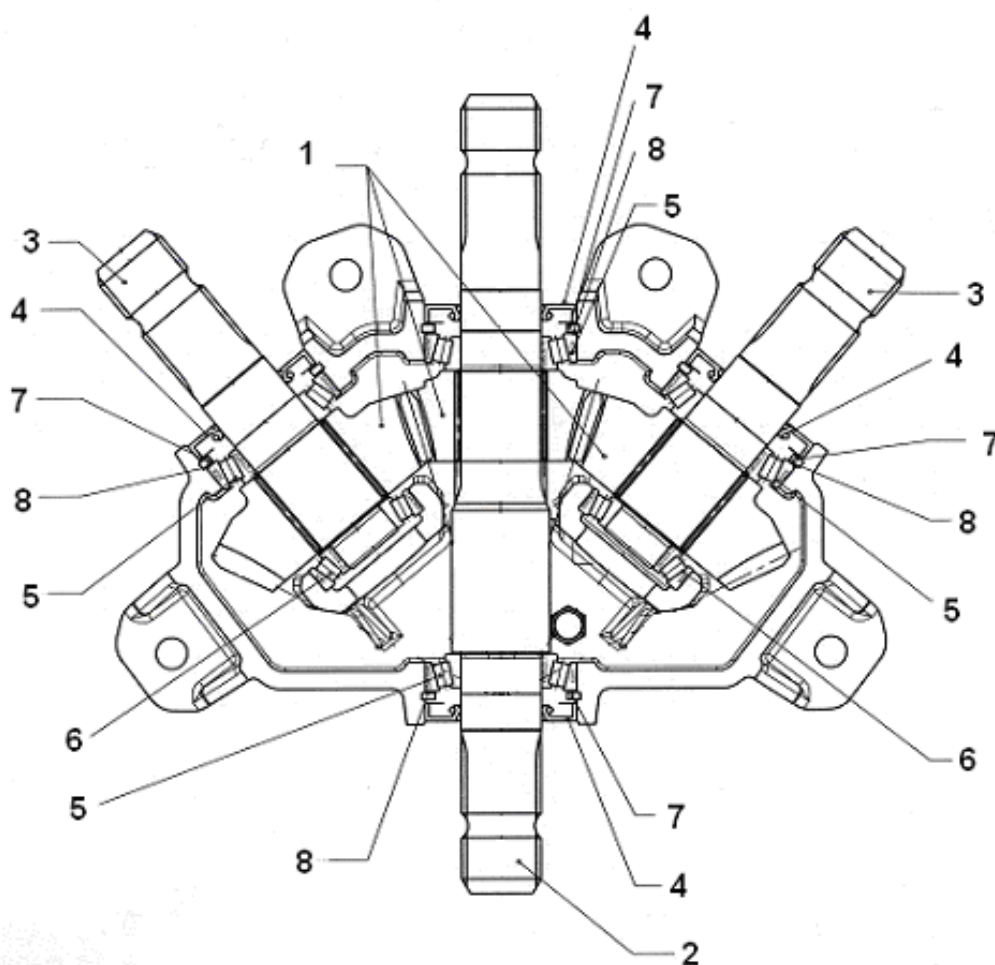
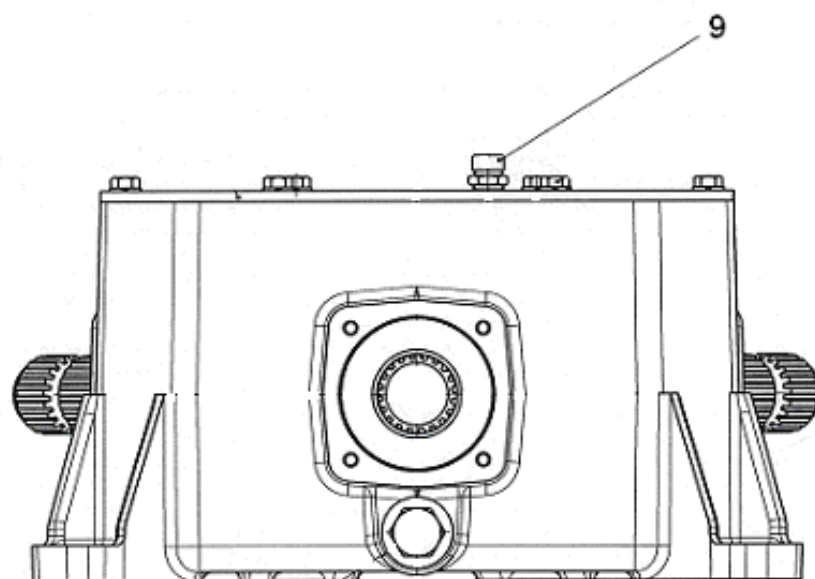
REF.	PART No.	GERMAN DESCRIPTION	DANISH DESCRIPTION
	5770007	LH Getriebe Kpl.	LH Gearkasse kpl.
	5770006	RH Getriebe Kpl.	RH Gearkasse kpl.
	5770005	Getriebe Mitte Kpl.	Gearkasse midter kpl.
1	n/a		
2	5771401	Deckel LH & RH	Låg LH &RH
	5771481	Deckel Mitte	Låg midter
4	5771416	Messstab LH & RH	Målepind LH & RH
	5771482	Messstab Mitte	Målepind midter
5	5771407	Bolz	Bolt
6	2771408	Scheibe	Skive
7	5771415	Schraube	Prop
8	5771420	Rad satz LH	Gearsæt LH
	5771417	Rad satz Mitte	Gearsæt midter
9	5771403R	Eingangswelle LH	Indgangsaksel LH
	5771403C	Eingangswelle Mitte	Indgangsaksel midter
10	4771601	Lager	Leje
11	2771129	Lockring	Låsering
12	4771124	Dichtung nur LH & Mitte	Pakdåse LH & midter
13	4771600	Lager nur LH & RH	Leje kun LH & RH
	4770658	Lager Mitte	Leje midter
14	2771108	Lockring	Låsering
15	4771503	Dichtung nur LH & Mitte	Pakdåse LH & midter
16	4771602	Lager	Leje
	4771603	Top Lager Mitte	Topleje midter
18	5771406	Stahlschutz	Stålbeskyttelse
19	4771500	Dichtung	Pakdåse
20	5771422	Halbmond 1stk LH&RH	Halvmåne 1stkLH&RH
21	2771600	Lockring LH & RH	Låsering LH & RH
22	5771409	Mutter LH & RH	Møtrik LH & RH
	5771411	Mutter Mitte	Møtrik midter
23	5771410	Scheibe LH & RH	Skive LH & RH
	5771412	Scheibe Mitte	Skive midter
24	2770477	Splint	Split
25	5771420	Rad satz nur RH	Gearsæt kun RH
26	5771403F	Eingangswelle nur RH	Indgangsaksel kun RH
27	4771501	Dichtung nur RH	Pakdåse kun RH
28	4771502	Dichtung nur RH	Pakdåse kun RH
	5771423	Distanzscheiben satz	Shims sæt



**540RPM SPLITTER BOX - BONDIOLI**

<b>REF.</b>	<b>PART No.</b>	<b>ENGLISH DESCRIPTION</b>	<b>FRENCH DESCRIPTION</b>
1	5770001	Gearbox assembly (540rpm)	Boîte d'engrenages (540 trs/min)
2	5771102	Shaft (Central)	Arbre (central)
3	5771103A	Shaft (Outer)	Arbre (extérieur)
4	5771452	Collet	Collerette
5	5771132	Spacer	Entretoise
6	5771425	Spacer	Entretoise
7	5771105	Guard / Cover	Protection / couverture
8	2771615	Circlip	Bague élastique
9	2771130	Circlip	Bague élastique
10	5772355	Circlip	Bague élastique
11	4771608	Circlip	Bague élastique
12	2771617	Circlip	Bague élastique
13	5771131	Shim	Cale
14	4771620	Bearing	Roulement
15	4771605	Bearing	Roulement
16	4771606	Bearing	Roulement
17	4771601	Bearing	Roulement
18	4771504	Oil seal	Joint à huile
19	4771124	Oil seal	Joint à huile
20	5771416	Dipstick	Jauge
21	5771126	Plug	Bouchon
22	5771127	Gear set (540rpm only)	Jeu d'engrenages (540 trs/min uniquement)

<b>REF.</b>	<b>PART No.</b>	<b>GERMAN DESCRIPTION</b>	<b>DANISH DESCRIPTION</b>
1	5770001	Getriebe Kpl. 540 rpm	Gearkasse kpl. 540 rpm
2	5771102	Welle Mitte	Aksel midter
3	5771103A	Welle Seite	Aksel side
4	5771452	Halb mond	Halvmåne
5	5771132	Distanzscheibe	Afstandsskive
6	5771425	Distanzscheibe	Afstandsskive
7	5771105	Deckel	Låg
8	2771615	Lockring	Låsering
9	2771130	Lockring	Låsering
10	5772355	Lockring	Låsering
11	4771608	Lockring	Låsering
12	2771617	Lockring	Låsering
13	5771131	Distanzscheibe	Shims
14	4771620	Lager	Leje
15	4771605	Lager	Leje
16	4771606	Lager	Leje
17	4771601	Lager	Leje
18	4771504	Dichtung	Pakdåse
19	4771124	Dichtung	Pakdåse
20	5771416	Messstab	Målepind
21	5771126	Schraube	Prop
22	5771127	Radsatz nur 540 rpm	Gearsæt Kun 540 rpm

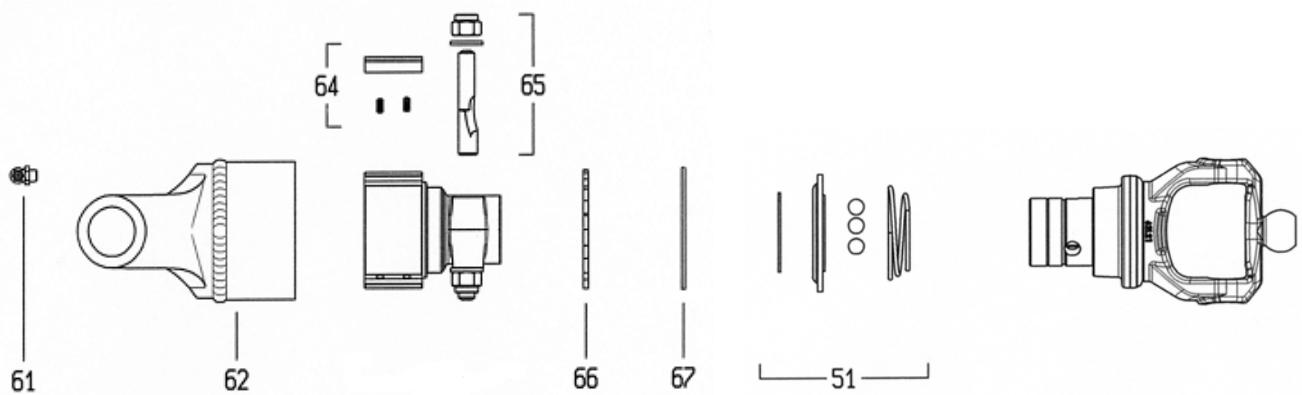
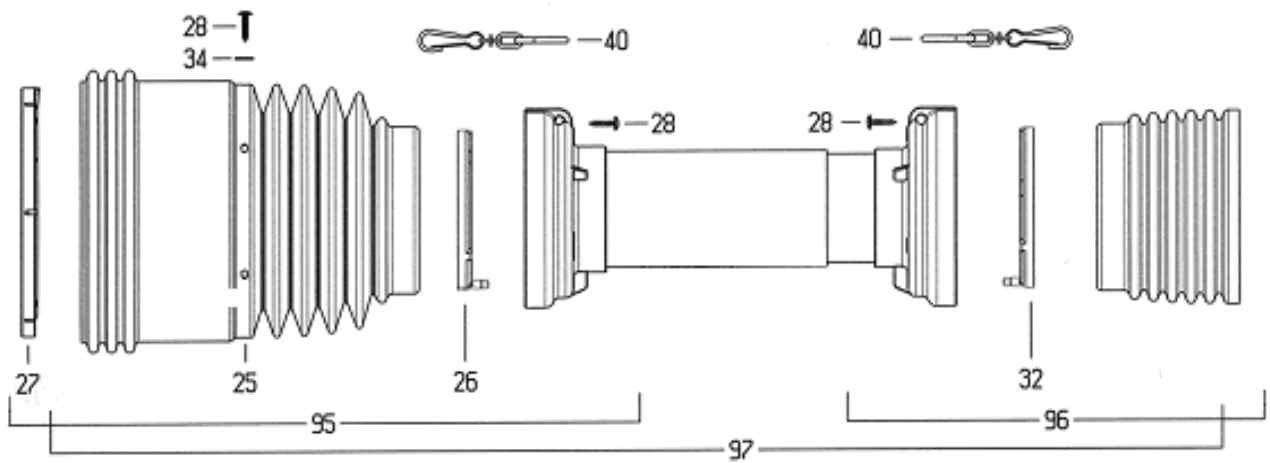
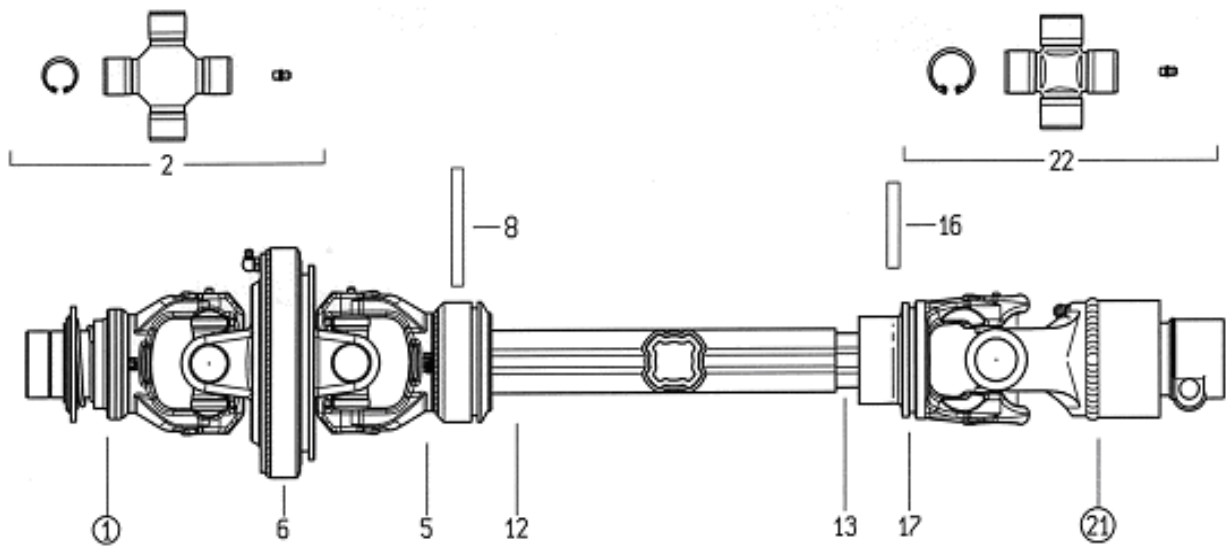


## 1000RPM SPLITTER BOX - BONDIOLI

REF.	PART No.	ENGLISH DESCRIPTION	FRENCH DESCRIPTION
	5769999A	Splitter gearbox	Boîte de transfert
1	5760820	Gear set	Jeu d'engrenages
2	5760820/1	Input shaft	Arbre d'entrée
3	5760820/2	Output shaft	Arbre de sortie
4	4771507	Seal	Joint d'étanchéité
5	4770660	Bearing	Roulement
6	4770658	Bearing	Roulement
7	5760820/6	Circlip	Bague élastique
8	5760820/7	Shim	Cale
9	5760820/8	Dipstick	Jauge

REF.	PART No.	GERMAN DESCRIPTION	DANISH DESCRIPTION
	5769999A	Verteilergetriebe	Fordelergearkasse
1	5760820	Kegelradsatz	Gearhjulssæt
2	5760820/1	Eingangswelle	Indgangsaksel
3	5760820/2	Ausgangswelle	Udgangsaksel
4	4771507	Dichtung	Tætning
5	4770660	Lager	Leje
6	4770658	Lager	Leje
7	5760820/6	Sicherungsring	Låsering
8	5760820/7	Distanz scheiben	Shims
9	5760820/8	Messtab	Oliepind

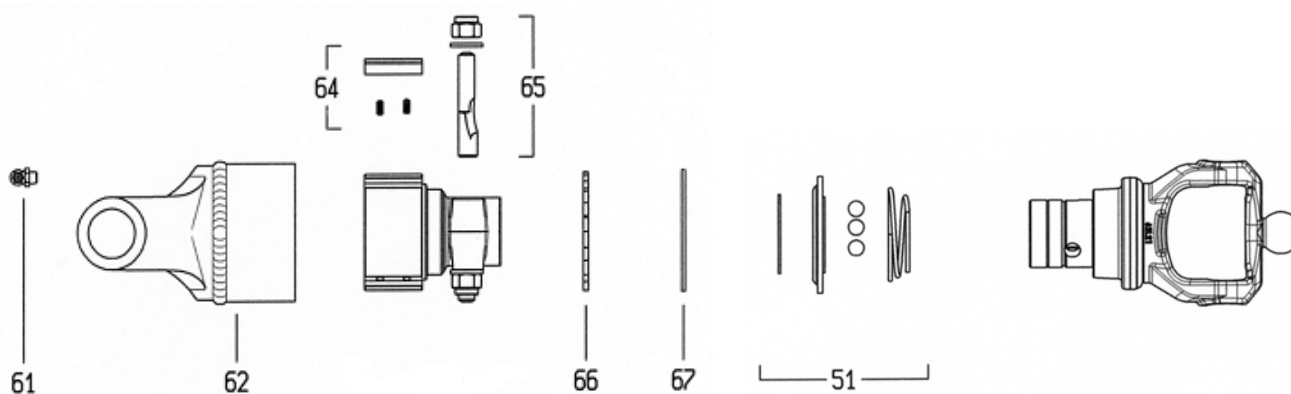
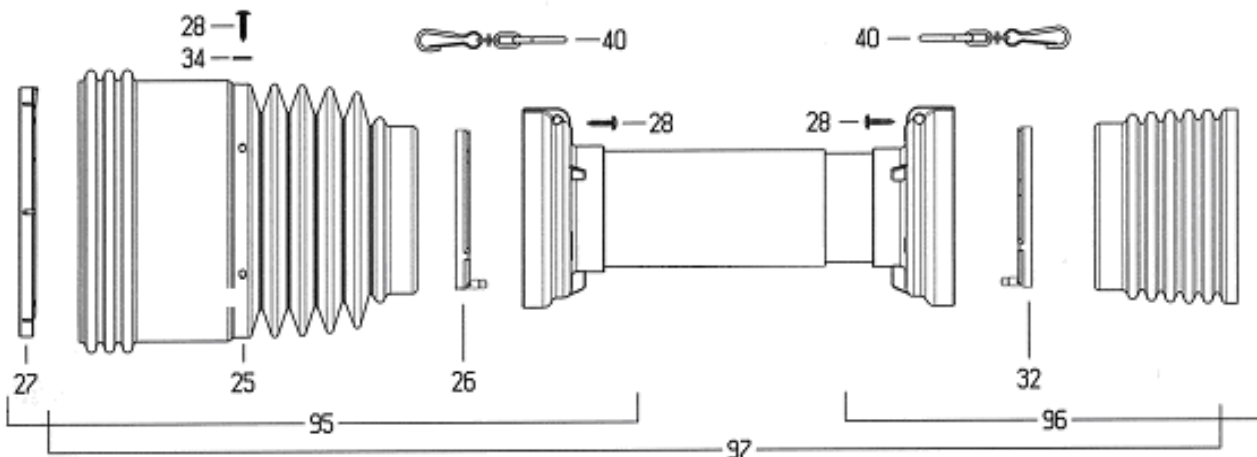
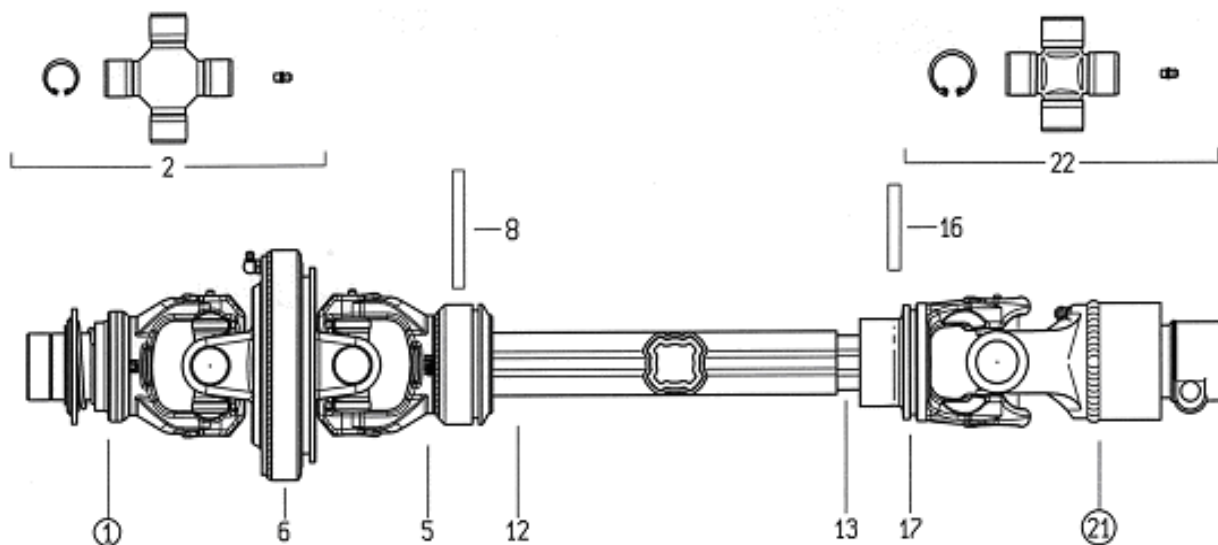




## 1000RPM INPUT PTO - BONDIOLI

REF.	PART No.	ENGLISH DESCRIPTION	FRENCH DESCRIPTION
	<b>5792146</b>	<b>PTO assembly 21 spline (SFT 6)</b>	<b>Prise de mouvement à 21 cannelures (SFT 6)</b>
	<b>5790646</b>	<b>PTO assembly 6 spline (SFT 6)</b>	<b>Prise de mouvement à 6 cannelures (SFT 6)</b>
1	5790646/1	Yoke (6 spline)	Étrier (6 cannelures)
1	5792146/1	Yoke (21 spline)	Étrier (21 cannelures)
2	5792146/2	UJ (27mm)	Cardan
5	5792146/3	Yoke	Étrier
6	5792146/4	Centre body	Corps central
12	5792146/5	External tube	Tube externe
13	5792146/6	Inner tube	Tube interne
17	5792146/7	Yoke	Étrier
21	5792146/8	Overrun clutch	Embrayage à inertie
22	5792146/9	UJ (30.2mm)	Cardan
25	5792146/10	Guard	Protection
26	5792146/11	Outer bearing	Roulement extérieur
32	5792146/12	Inner bearing	Roulement intérieur
40	5792146/13	Chain	Chaîne
51	5792146/14	Release ring	Bague de libération
64	5792146/15	Pawl	Cliquet
65	5792146/16	Taper pin	Broche conique
95	5792146/17	Half guard	Semi-protection
96	5792146/18	Half guard	Semi-protection
97	5792146/19	Complete guard	Protection complète

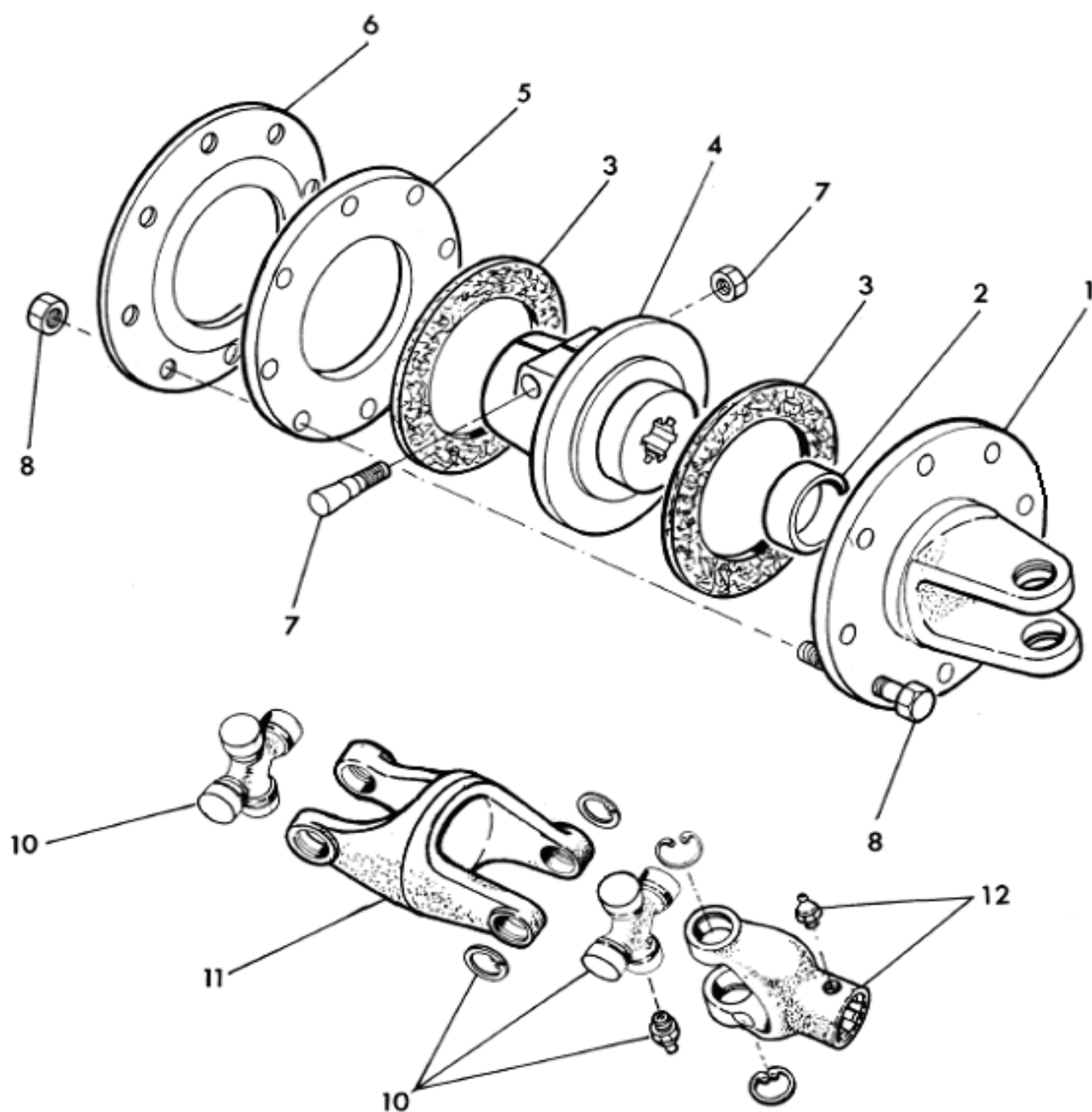
REF.	PART No.	GERMAN DESCRIPTION	DANISH DESCRIPTION
	<b>5792146</b>	<b>Gelenkwelle Kpl. 21 nut</b>	<b>Kardan kpl. 21 spline</b>
	<b>5790646</b>	<b>Gelenkwelle Kpl. 6 nut</b>	<b>Kardan kpl. 6 spline</b>
1	5790646/1	Gabel 6 nut	Gaffel 6 spline
1	5792146/1	Gabel 21 nut	Gaffel 21 spline
2	5792146/2	Kreuz	Kryds
5	5792146/3	Gabel	Gaffel
6	5792146/4	Doppel Gabel	Dobbeltgaffel
12	5792146/5	Rohr Ausen	Rør yder
13	5792146/6	Rohr Innen	Rør inder
17	5792146/7	Gabel	Gaffel
21	5792146/8	Freilauf Kupplung	Friløbskobling
22	5792146/9	Kreuz	Kryds
25	5792146/10	Schutz	Beskyttelse
26	5792146/11	Lager Ausen	Leje inder
32	5792146/12	Lager Innen	Leje yder
40	5792146/13	Kette	Kæde
51	5792146/14	Schnellwechsler	Lynskifte
64	5792146/15	Freilauf Lock	Friløbslås
65	5792146/16	Bolzsatz	Boltesæt
95	5792146/17	Schutz Ausen	Beskyttelse inder
96	5792146/18	Schutz Innen	Beskyttelse yder
97	5792146/19	Schutz Kpl.	Beskyttelse kpl.



## 540RPM INPUT PTO - BONDOLI

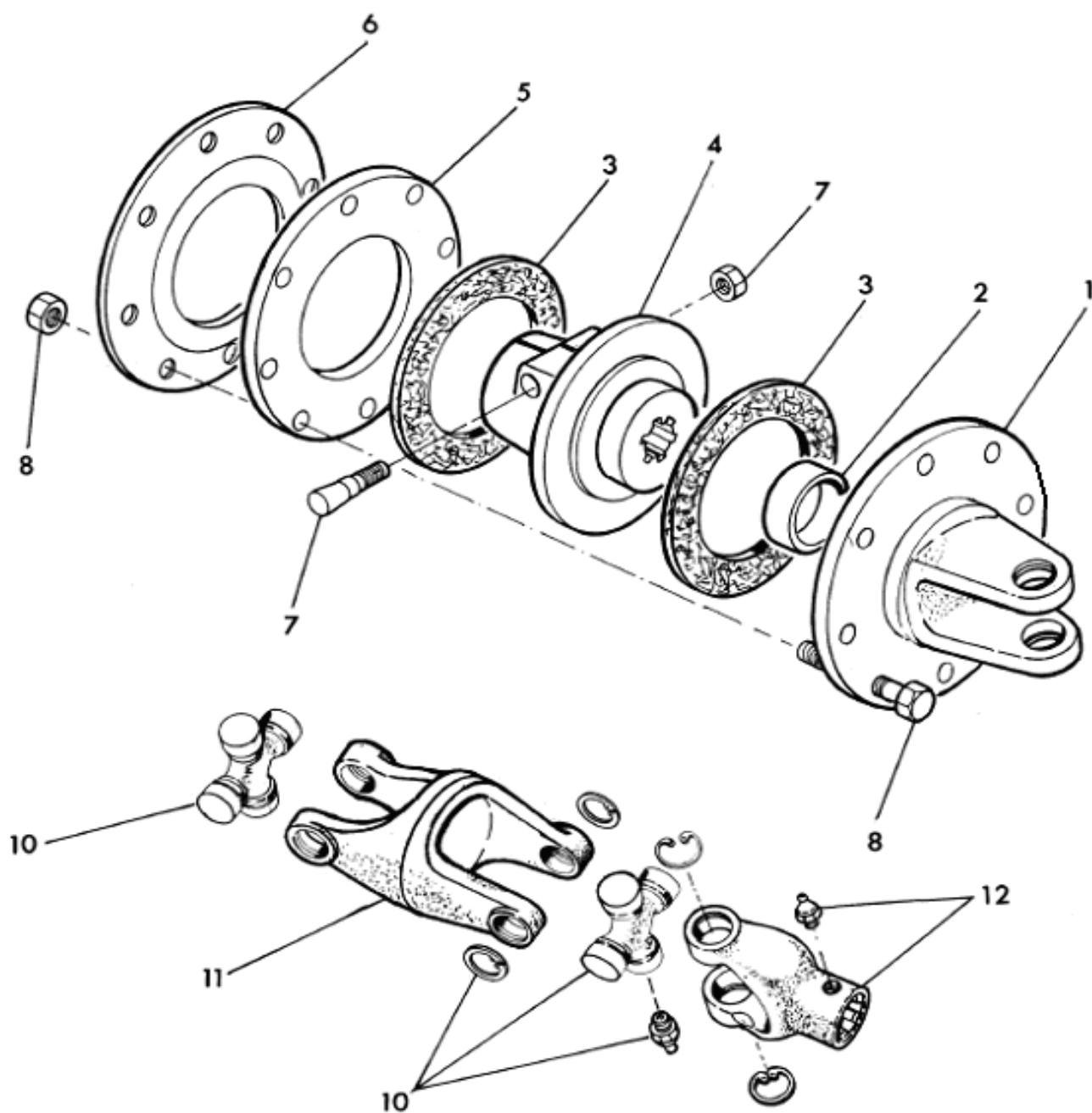
REF.	PART No.	ENGLISH DESCRIPTION	FRENCH DESCRIPTION
1	5790662/1	Yoke 6 spline	Étrier (6 cannelures)
2	5792162/2	UJ (30.2mm)	Cardan
5	5792162/3	Yoke	Étrier
6	5792162/4	Centre body	Corps central
12	5792162/5	Outer tube	Tube externe
13	5792162/6	Inner tube	Tube interne
17	5792162/7	Yoke	Étrier
21	5792162/8	Overrun clutch	Embrayage à inertie
22	5792162/9	UJ (34.9mm)	Cardan
25	5792162/10	Guard	Protection
26	5792162/11	Outer bearing ring	Bague de roulement extérieur
27	5792162/21	Bearing ring	Bague de roulement
31	5792162/12	Guard	Protection
32	5792162/13	Inner bearing ring	Bague de roulement intérieur
40	5792146/13	Chain	Chaîne
51	5792146/14	Release ring	Bague de libération
64	5792146/15	Pawl	Cliquet
65	5792146/16	Taper pin	Broche conique
95	5792162/18	Half guard	Semi-protection
96	5792162/19	Half guard	Semi-protection
97	5792162/20	Complete guard	Protection complète

REF.	PART No.	GERMAN DESCRIPTION	DANISH DESCRIPTION
1	5790662/1	Gabel 6 nut	Gaffel 6 spline
2	5792162/2	Kreuz	Kryds
5	5792162/3	Gabel	Gaffel
6	5792162/4	Doppel Gabel	Dobbelgaffel
12	5792162/5	Rohr Aussen	Rør yder
13	5792162/6	Rohr Innen	Rør inder
17	5792162/7	Gabel	Gaffel
21	5792162/8	Freilauf Kupplung	Friløbskobling
22	5792162/9	Kreuz	Kryds
25	5792162/10	Schutz	Beskyttelse
26	5792162/11	Lager Aussen	Leje inder
27	5792162/21	Lager	Leje
31	5792162/12	Schutz	Beskyttelse
32	5792162/13	Lager Innen	Leje yder
40	5792146/13	Kette	Kæde
51	5792146/14	Schnellwechsler	Lynskifte
64	5792146/15	Freilauf Lock	Friløbslås
65	5792146/16	Bolzsatz	Boltesæt
95	5792162/18	Schutz Aussen	Beskyttelse inder
96	5792162/19	Schutz Innen	Beskyttelse yder
97	5792162/20	Schutz Kpl.	Beskyttelse kpl.



## 1000RPM CENTRE COUPLING - BONDIOLI

REF.	PART No.	ENGLISH DESCRIPTION	FRENCH DESCRIPTION
	5770223	Complete assembly	Ensemble complet
1	5770131	Yoke	Étrier
2	5771319	Bush	Coussinet
3	5771328	Clutch plate	Plaque d'embrayage
4	5770134	Hub – 21 spline	Moyeu – 21 cannelures
5	5770135	Plate (inner)	Plaque (intérieure)
6	5770136	Plate (pressure)	Plaque (pression)
7	5771322	Pin	Broche
8	5770138A	Bolt	Boulon
10	5770140	UJ (30.2 x 79.4)	Cardan
11	5770132	Yoke (back to back)	Étrier (dos-à-dos)
12	5770223/1	Yoke 20 spline (post July 07)	Étrier
REF.	PART No.	GERMAN DESCRIPTION	DANISH DESCRIPTION
	5770223	Kupplung Kpl.	Kobling kpl.
1	5770131	Gabel	Gaffel
2	5771319	Buchse	Bøsning
3	5771328	Reibscheibe	Belægning
4	5770134	Nabe 21 nut	Nav 21 spline
5	5770135	Platte Innen	Plade inder
6	5770136	Platte Ausen	Plade yder
7	5771322	Bolz	Bolt
8	5770138A	Bolz	Bolt
10	5770140	Kreuz	Kryds
11	5770132	Dobbelgabel	Dobbeltgaffel
12	5770223/1	Gabel	Gaffel



## 540RPM CENTRE COUPLING - BONDIOLI

REF.	PART No.	ENGLISH DESCRIPTION	FRENCH DESCRIPTION
	5770030A	Complete assembly	Ensemble complet
1	5771329	Yoke	Étrier
2	5771319	Bush	Coussinet
3	5771328	Clutch plate	Plaque d'embrayage
4	5770158	Hub – 6 spline	Moyeu – 6 cannelures
5	5770135	Plate (inner)	Plaque (intérieure)
6	5770136	Plate (pressure)	Plaque (pression)
7	5771322	Pin	Broche
8	5770138A	Bolt	Boulon
10	5770140A	UJ (30.2 x 91.4)	Cardan
11	5770092	Yoke (back to back)	Étrier (dos-à-dos)
12	5770121	Yoke	Étrier

REF.	PART No.	GERMAN DESCRIPTION	DANISH DESCRIPTION
	5770030A	Kupplung Kpl.	Kobling kpl.
1	5771329	Gabel	Gaffel
2	5771319	Buchse	Bøsning
3	5771328	Reibscheibe	Belægning
4	5770158	Nabe 6 nut	Nav 6 spline
5	5770135	Platte Innen	Plade inder
6	5770136	Platte Drück	Plade tryk
7	5771322	Bolz	Bolt
8	5770138A	Bolz	Bolt
10	5770140A	Kreuz	Kryds
11	5770092	Doppelgabel	Dobbeltgaffel
12	5770121	Gabel	Gaffel





1.



2.



3.



4.



5.



6.



7.



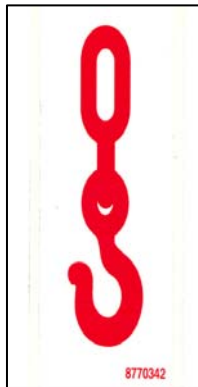
8.



9.



10.



11.



12.



13.



14.



15.



16.

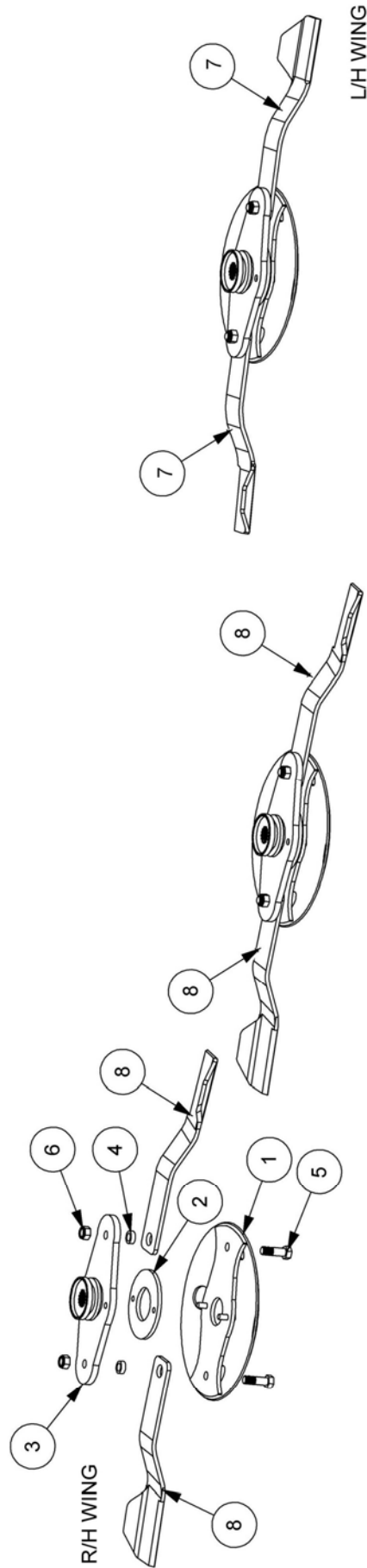
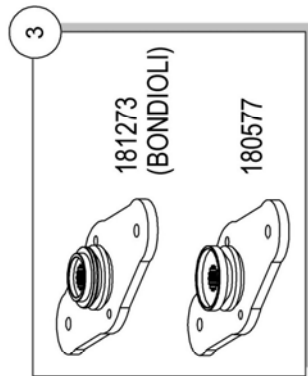
REF.	PART No.	DESCRIPTION
1	8770340	Read manual
2	8770363	Read manual
3	8770367	Read manual
4	8770361	Moving blades
5	8770362	Escaping fluid
6	8770358	Remove key
7	8770355	Ram stop
8	8770306	Keep bolts tight
9	8770357	Keep your distance
10	8770368	Danger un-proped
11	8770342	Lift point
12	8770381	Height guide
13	8770305	540 PTO
14	8770323	1000 PTO
15	8770322	Grease point
16	1290798	Decal - SR460

## SR460 OPTIONS

2 BLADE / PAN OPTION – SR460

Module(s): S180015.50, S180015.77

**McCONNEL**



2 BLADE / PAN OPTION FOR SR460 (S180015.50 / S180015.77)

**2 BLADE / PAN OPTION – SR460****McCONNEL**

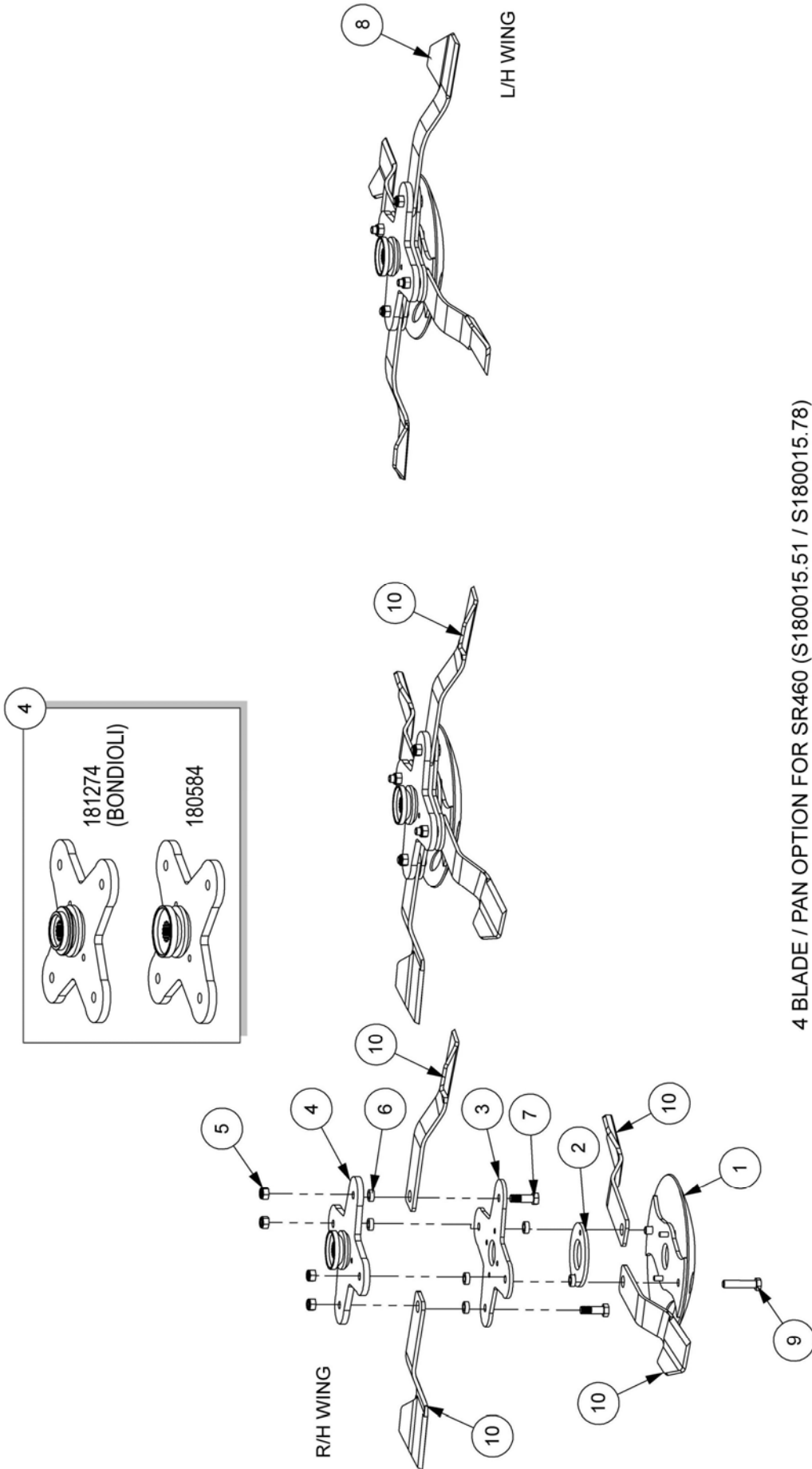
Module(s): S180015.50, S180015.77

REF.	QTY.	PART No.	DESCRIPTION
		<b>S180015.50</b>	* <b>2 BLADE/PAN OPTION - SR460</b>
		<b>S180015.77</b>	** <b>2 BLADE/PAN OPTION - SR460 (BONDIOLI)</b>
1	3	180576	ANTI SCALP BLADE PLATE
2	3	180578	BLADE SPACER PLATE
3	3	180577	* CARRIER (2 BLADE)
	3	181273	** CARRIER (2 BLADE) BONDIOLI
4	6	7770707	BLADE BUSH
5	6	2770413	BOLT
6	6	2770414	NYLOCK NUT
7	2	7770701	LH BLADE C/W FIN
8	4	7770700	RH BLADE C/W FIN

# 4 BLADE / PAN OPTION – SR460

Module(s): S180015.51, S180015.78

# McCONEL



4 BLADE / PAN OPTION FOR SR460 (S180015.51 / S180015.78)

## 4 BLADE / PAN OPTION – SR460

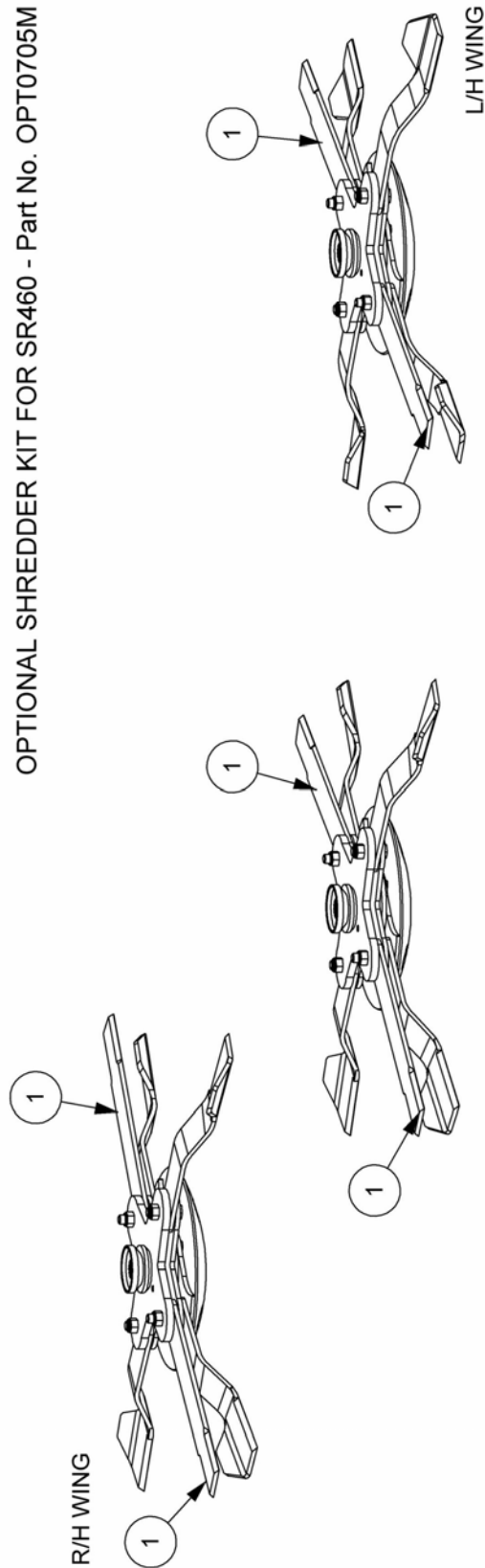
**McCONNEL**

Module(s): S180015.51, S180015.78

REF.	QTY.	PART No.	DESCRIPTION
		<b>S180015.51</b>	* <b>4 BLADE/PAN OPTION - SR460</b>
		<b>S180015.78</b>	** <b>4 BLADE/PAN OPTION - SR460 (BONDIOLI)</b>
1	3	180576	ANTI SCALP BLADE PLATE
2	3	180578	BLADE SPACER PLATE
3	3	180579	MIDDLE BLADE PLATE
4	3	180584	* CARRIER (4 BLADE)
	3	181274	** CARRIER (4 BLADE) BONDIOLI
5	12	2770414	NYLOCK NUT
6	18	7770707	BLADE BUSH
7	6	2770413	BOLT
8	4	7770701	LH BLADE C/W FIN
9	6	T3000	BOLT
10	8	7770700	RH BLADE C/W FIN

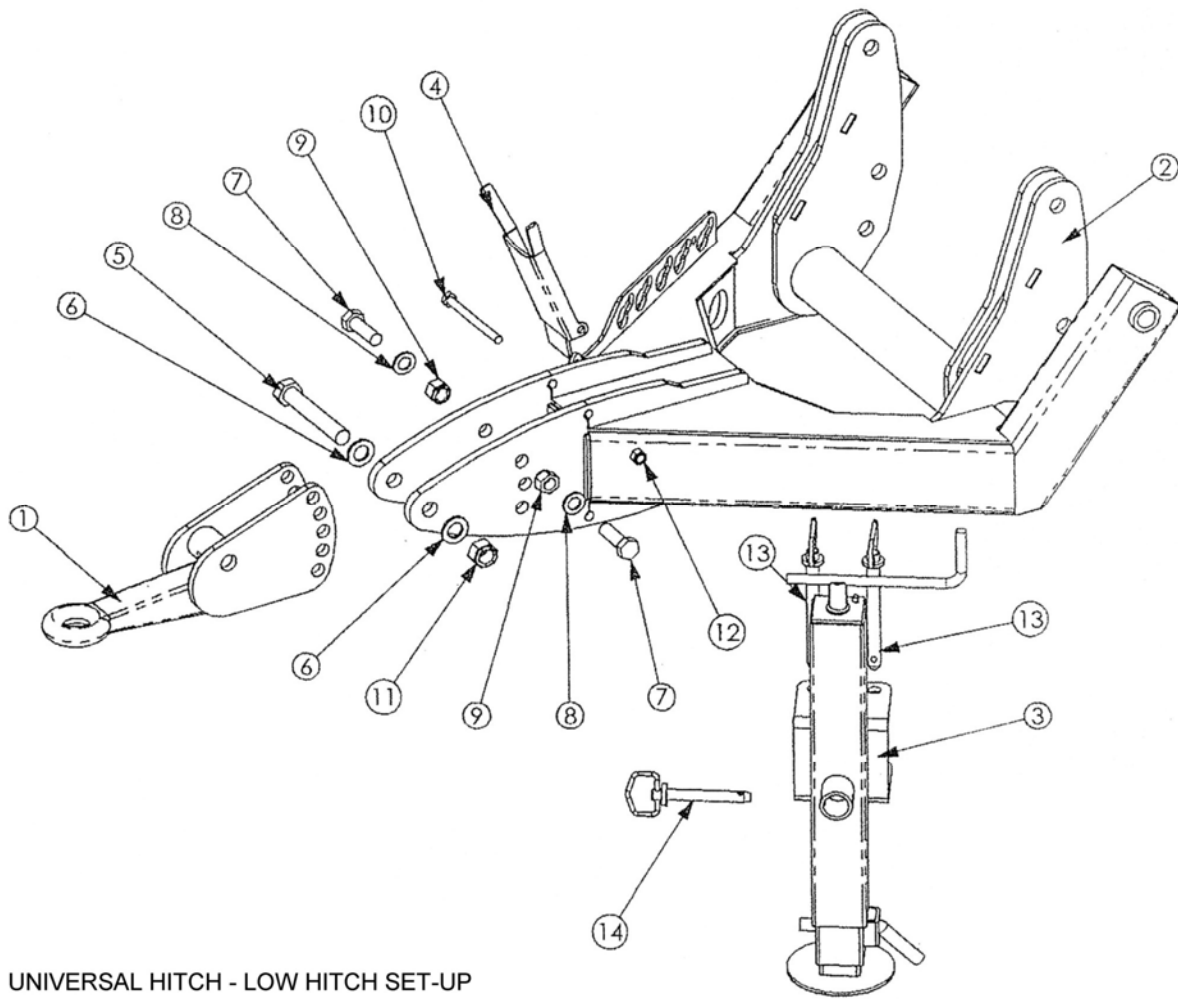
Module(s): OPT0705M

OPTIONAL SHREDDER KIT FOR SR460 - Part No. OPT0705M



REF.	QTY.	PART No.	DESCRIPTION
1	6	OPT0705M 046001	SHREDDER KIT - SR460 LH STARCUT BLADE

Module(s):



UNIVERSAL HITCH - LOW HITCH SET-UP

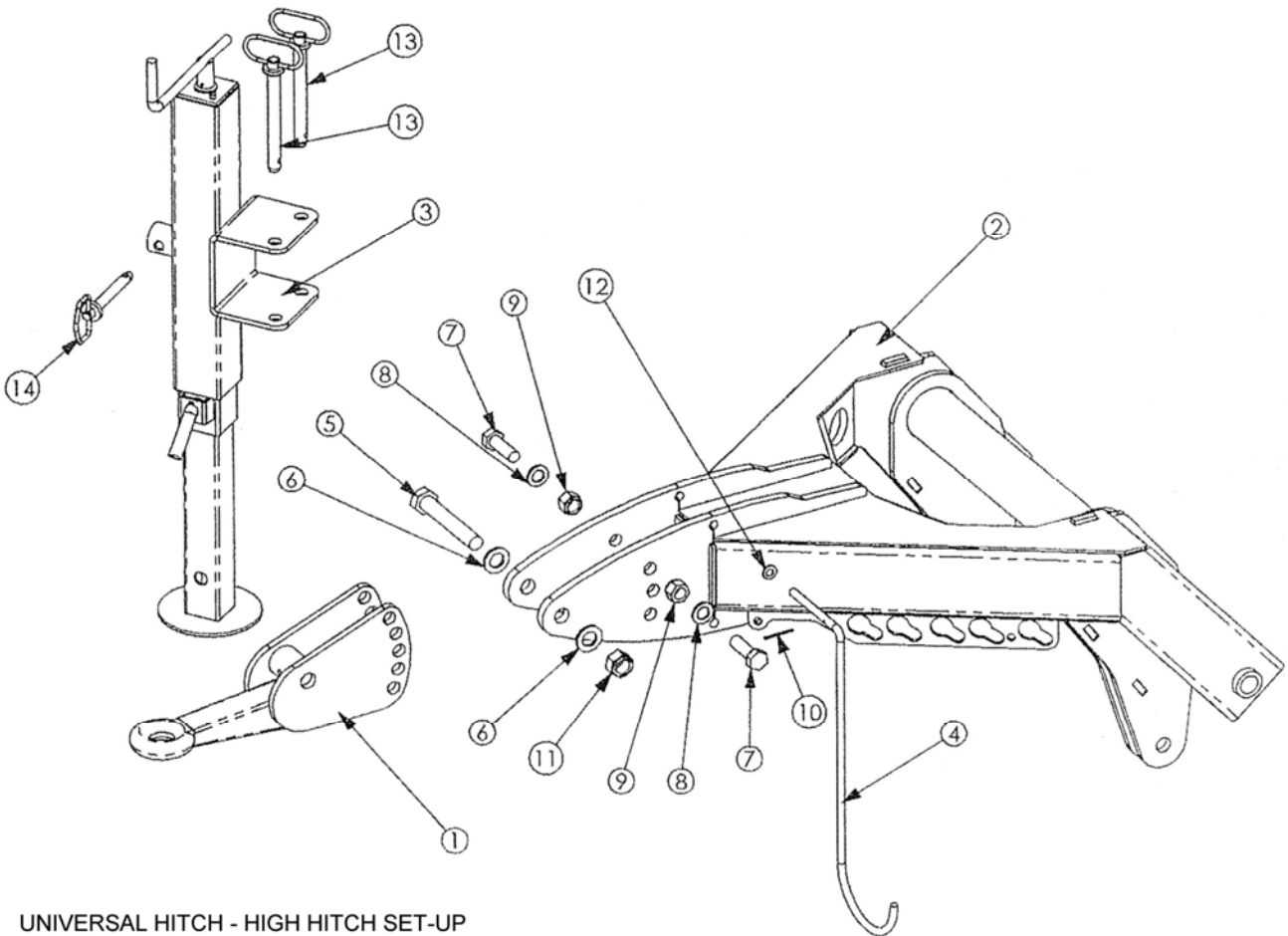
REF.	QTY.	PART No.	DESCRIPTION
			<b>UNIVERSAL HITCH - LOW HITCH SET-UP</b>
1	1	1770681	TOWING EYE BRACKET
2	1	180587	UNIVERSAL DRAWBAR
3	1	180595	BOX JACK
4	1	1770689	PTO SUPPORT
5	1	2770406	BOLT
6	2	2770464	FLAT WASHER
7	2	05.264.48	BOLT
8	2	2770517	FLAT WASHER
9	2	2770409	NYLOCK NUT
10	1	2770584	BOLT
11	1	2770414	NYLOCK NUT
12	1	2770417	NYLOCK NUT
13	2	6310176	JACK PIN c/w LYNCH PIN
14	1	6310220	CAT.0 PIN c/w HANDLE



# UNIVERSAL HITCH – HIGH HITCH SET-UP

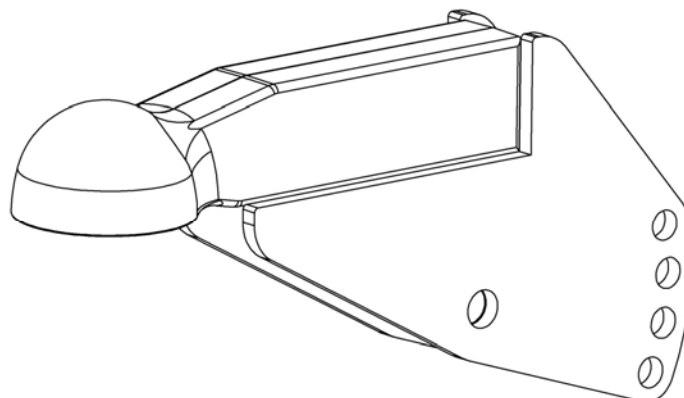
**McCONEL**

Module(s):



UNIVERSAL HITCH - HIGH HITCH SET-UP

REF.	QTY.	PART No.	DESCRIPTION
<b>UNIVERSAL HITCH - HIGH HITCH SET-UP</b>			
1	1	1770681	TOWING EYE BRACKET
2	1	180587	UNIVERSAL DRAWBAR
3	1	180595	BOX JACK
4	1	1777541	PTO SUPPORT
5	1	2770406	BOLT
6	2	2770464	FLAT WASHER
7	2	05.264.48	BOLT
8	2	2770517	FLAT WASHER
9	2	2770409	NYLOCK NUT
10	1	2770238	SPLIT PIN
11	1	2770414	NYLOCK NUT
12	1	2770436	FLAT WASHER
13	2	6310176	JACK PIN c/w LYNCH PIN
14	1	6310220	CAT.0 PIN c/w HANDLE



K80 BALL HITCH OPTION - Part No. 180448





McConnel Limited, Temeside Works, Ludlow, Shropshire SY8 1JL. England.  
Telephone: 01584 873131. Facsimile: 01584 876463. [www.mcconnel.com](http://www.mcconnel.com)