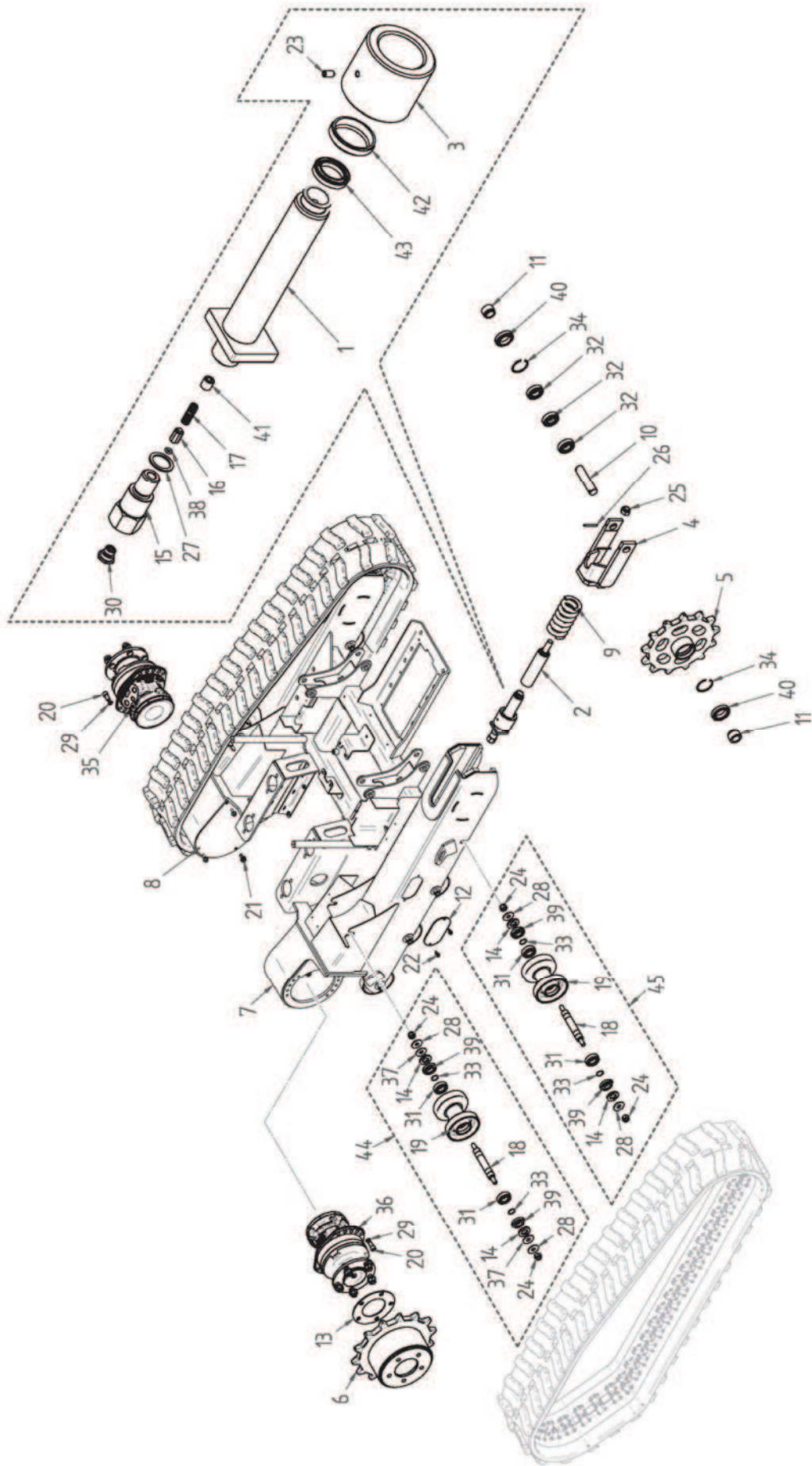


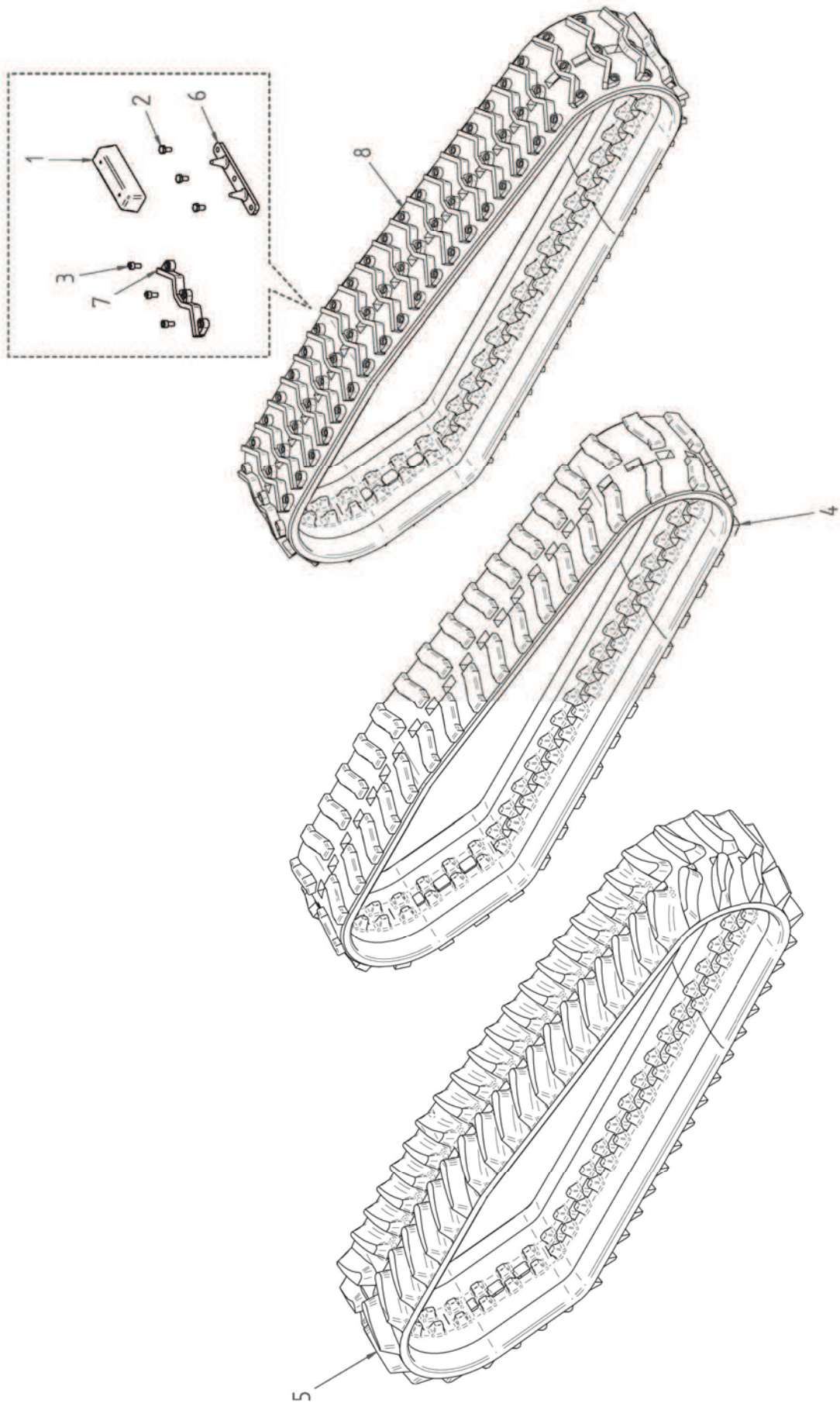


ROBOCUT

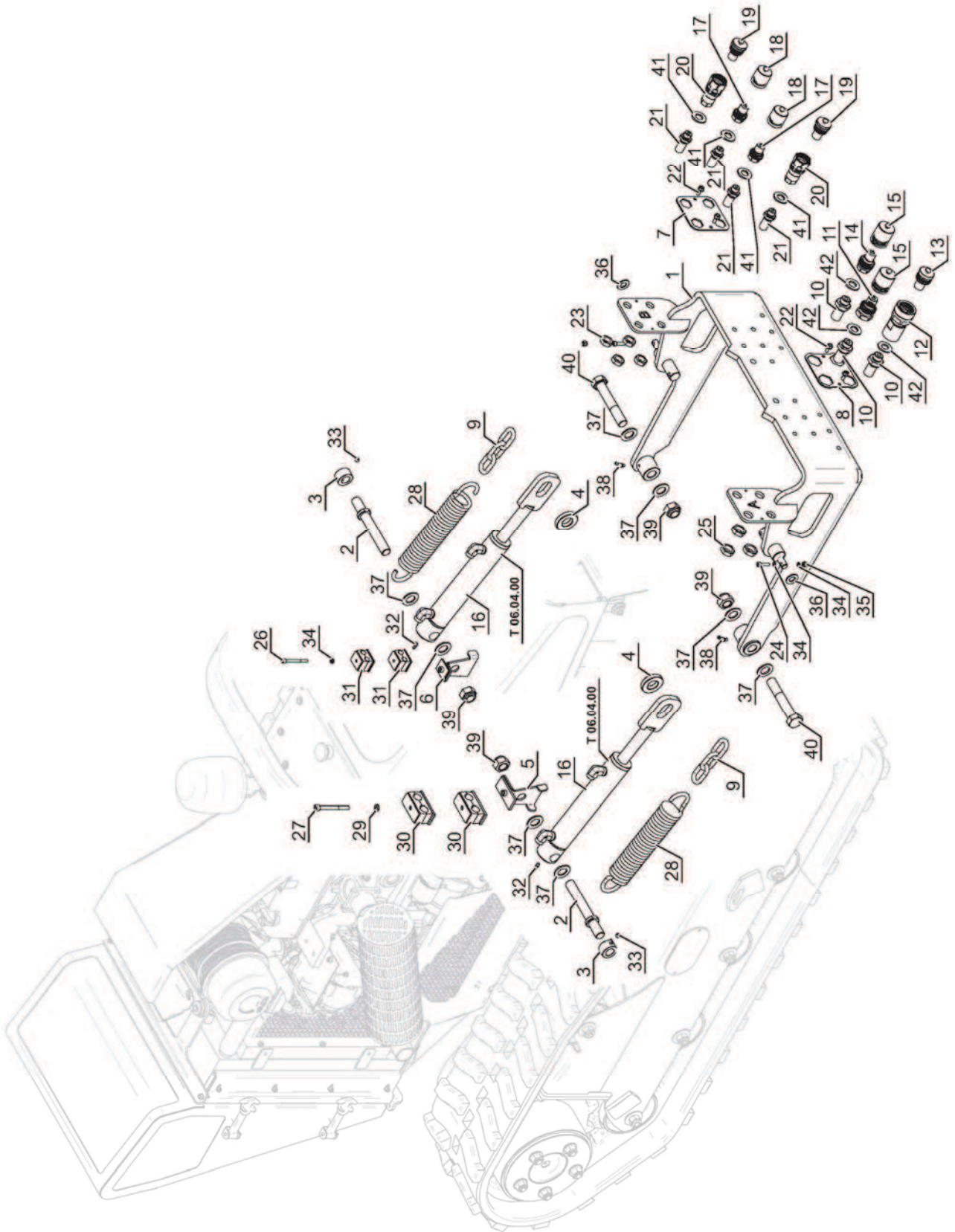
- Parts Section -



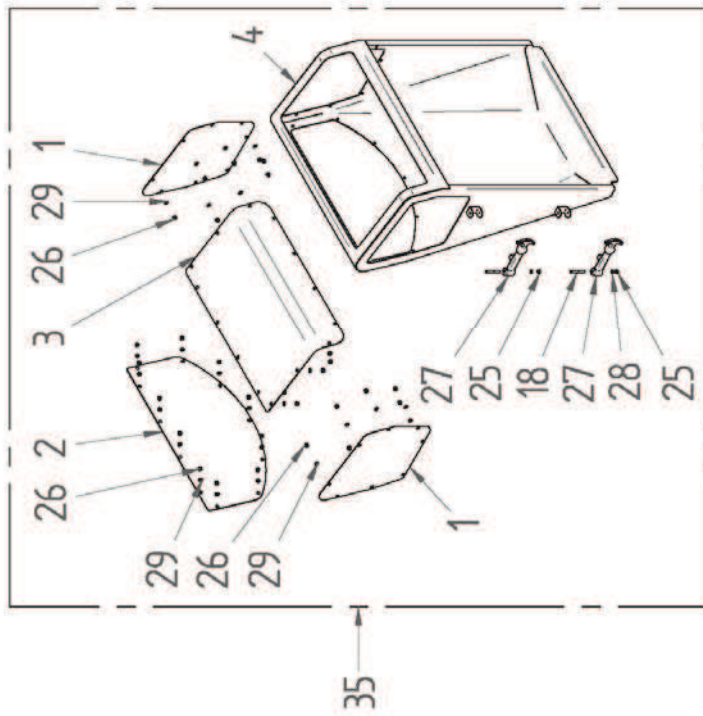
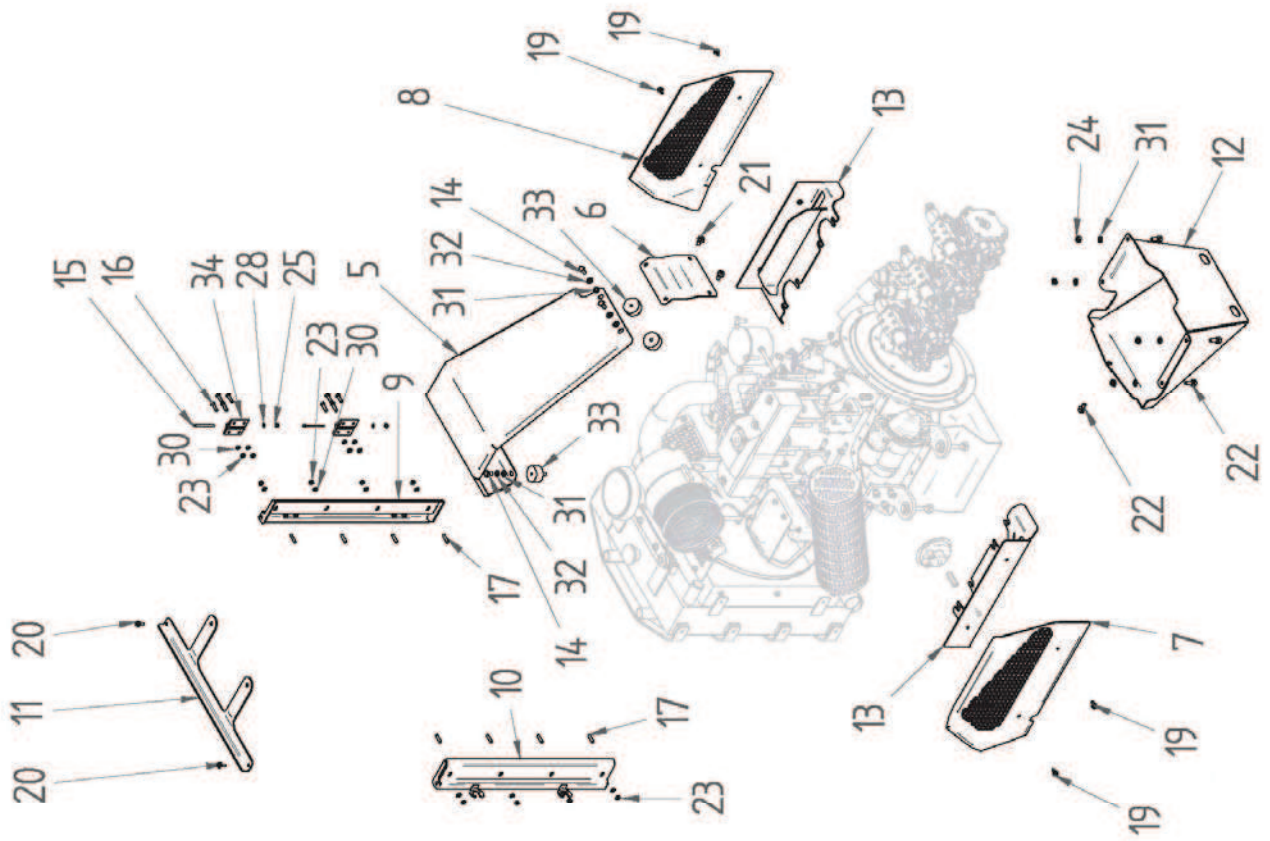
REF.	QTY.	PART No.	DESCRIPTION
			CHASSIS ASSEMBLY
1	2	4000001	INNER BARREL
2	2	4000002	OUTER BARREL
3	2	4000003	BUSH
4	2	4000004	SPROCKET FORK
5	2	4000005	SPROCKET
6	2	4000006	DRIVE SPROCKET
7	1	4000039	UNDERCARRIAGE HOUSING
8	2	4000007	MOTOR COVER
9	2	4000008	SPRING
10	2	4000009	PIN
11	4	4000010	BUSH
12	2	4000011	COVER PLATE
13	2	4000347	SPACER
14	20	4000351	ROLLER WASHER
15	2	4000012	VALVE HOUSING
16	2	4000013	VALVE
17	2	4000014	VALVE SPRING
18	10	4000015	PIN
19	10	4000016	ROLLER
20	20	4000352	CYLINDRIC HEAD SCREW
21	8	4000353	FLANGED HEAD SCREW
22	4	4000316	FLANGED HEAD SCREW
23	2	4000354	GRUB SCREW
24	20	4000355	LOCK NUT
25	2	4000018	LOCK NUT
26	4	4000032	ROLL PIN
27	2	4000356	COPPER WASHER
28	20	4000019	WASHER
29	20	4000357	KNURLED WASHER
30	2	4000358	BUTTING HEAD FITTING
31	20	1021002	TRACK ROLLER BEARING
32	6	1021250	BEARING
33	20	4000023	CIRCLIP
34	4	4000024	CIRCLIP
35	1	4000359	LH TRACK DRIVE MOTOR
36	1	4000360	RH TRACK DRIVE MOTOR
37	4	4000361	WASHER - <i>Serial No. 00056</i> ▶
38	2	4000030	O RING
39	20	4000026	ROLLER SEAL
40	4	4000027	SEAL
41	2	4000029	NUT
42	2	4000028	SCRAPER RING
43	2	4000031	SEAL
44	2	4000362	UPPER ROLLER ASSEMBLY
45	2	4000705	LOWER ROLLER ASSEMBLY



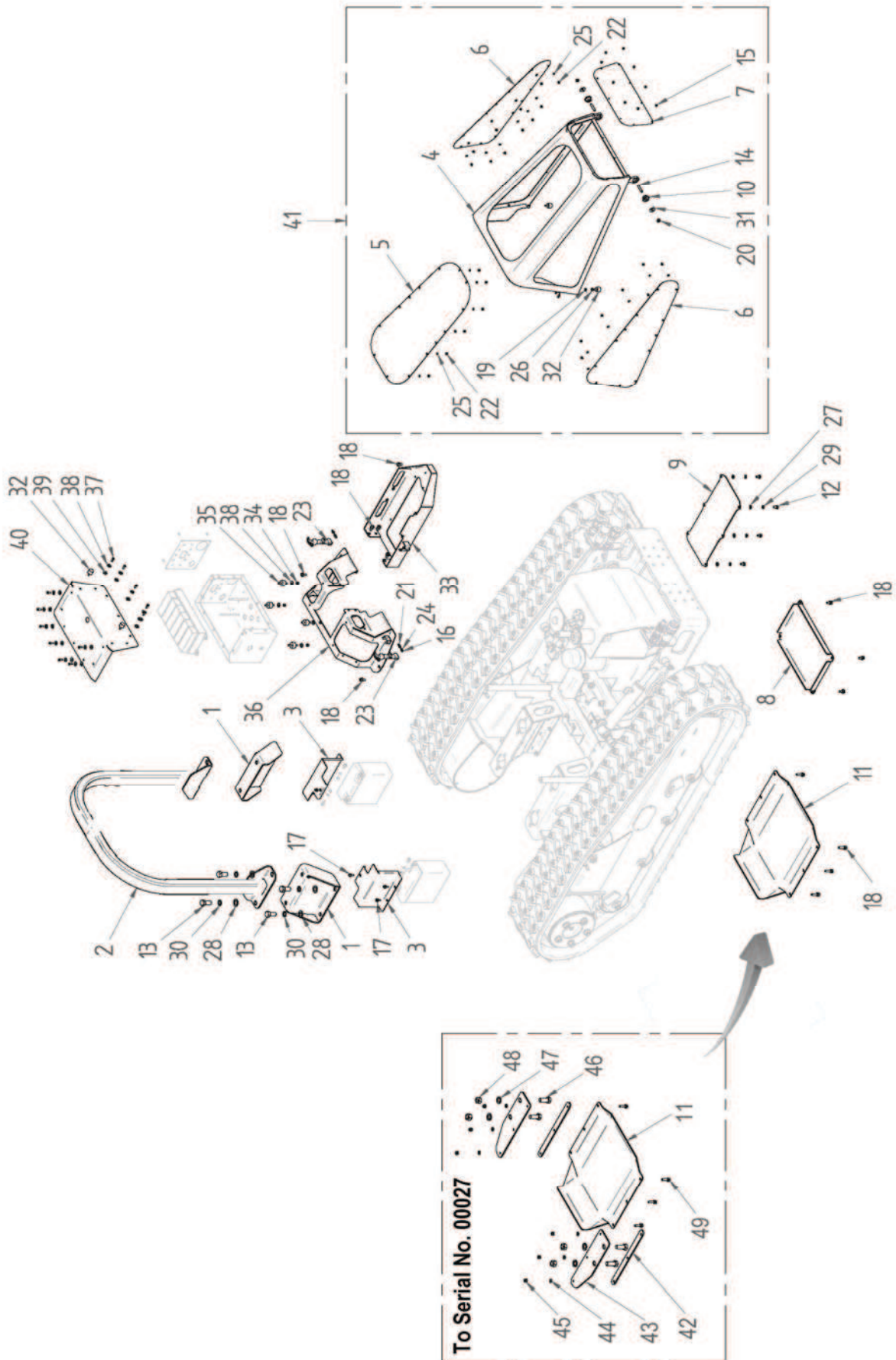
REF.	QTY.	PART No.	DESCRIPTION
			RUBBER TRACKS
1	46	4000036	RUBBER TRANSPORT BLOCK
2	138	4000038	BOLT
3	282	4000037	BOLT
4	2	4000263	RUBBER TRACK 250/72/47
5	2	4000289	RUBBER TRACK 280/72/47
6	46	4000034	RIVETED STIRRUP
7	94	4000035	STEEL STIRRUP
8	2	4000290	RUBBER TRACK (MOVEABLE STIRRUPS)



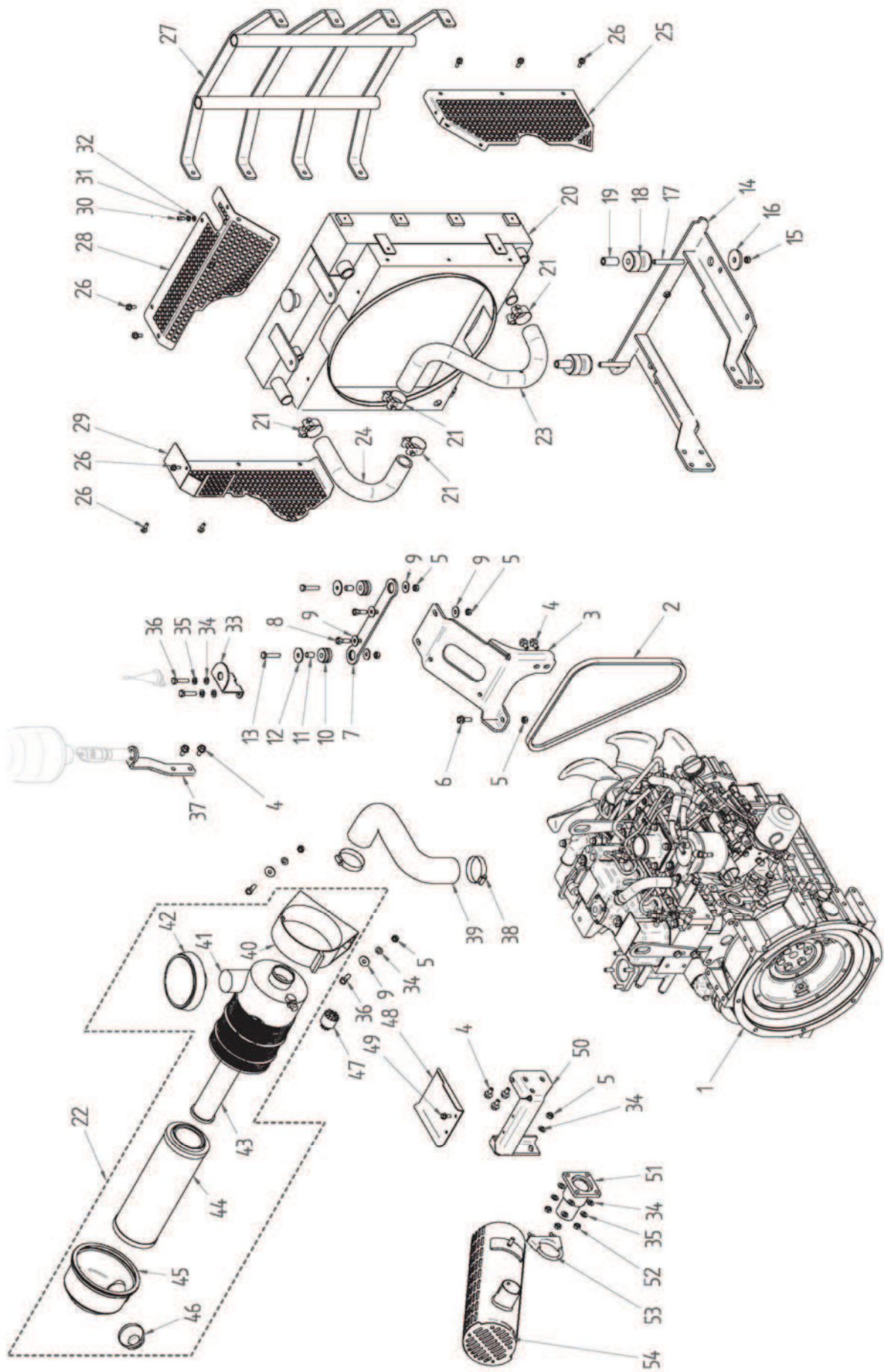
REF.	QTY.	PART No.	DESCRIPTION
			EQUIPMENT MOUNTING ASSEMBLY
1	1	4000088	ATTACHMENT MOUNTING FRAME
2	2	4000089	RAM PIN
3	2	4000090	RETAINING COLLAR
4	2	4000091	WASHER
5	1	4000363	RH HOSE SUPPORT BRACKET
6	1	4000364	LH HOSE SUPPORT BRACKET
7	1	4000092	LEFT BULKHEAD FIXING PLATE
8	1	4000093	RIGHT BULKHEAD FIXING PLATE
9	2	4000095	CHAIN
10	3	4000129	BULKHEAD FITTING
11	1	4000136	QR COUPLING
12	1	4000133	QR COUPLING
13	1	4000139	PLUG (Option)
14	1	4000134	QR COUPLING
15	2	4000137	PLUG (Option)
16	2	4000101	HYDRAULIC RAM
17	2	4000135	QR COUPLING
18	2	4000138	PLUG (Option)
19	2	4000140	PLUG (Option)
20	2	4000132	QR COUPLING
21	4	4000128	BULKHEAD FITTING
22	4	4000316	FLANGED HEAD SCREW
23	4	4000130	NUT
24	2	9313053	BOLT
25	3	4000131	NUT
26	1	4000108	CYLINDRIC HEAD SCREW
27	1	4000365	CYLINDRIC HEAD SCREW
28	2	4000110	SPRING
29	1	9100104	FLAT WASHER
30	2	4000366	HOSE CLAMP
31	2	4000367	HOSE CLAMP
32	2	4000368	GREASE NIPPLE
33	2	4000369	SETSCREW
34	4	9100103	FLAT WASHER
35	2	9163003	LOCK NUT
36	2	05.281.14	FLAT WASHER
37	8	4000370	BAR WASHER
38	2	4000371	GREASE NIPPLE
39	4	4000372	LOCK NUT
40	2	4000373	SCREW
41	4	7315818	BONDED SEAL
42	3	8650104	BONDED SEAL



REF.	QTY.	PART No.	DESCRIPTION
			ENGINE COVER ASSEMBLY
1	2	4000154	SIDE MESH
2	1	4000155	CENTRAL LOWER MESH
3	1	4000374	CENTRAL UPPER MESH
4	1	4000156	RADIATOR BONNET
5	1	4000166	AIR FILTER BONNET
6	1	4000167	AIR FILTER BONNET SUPPORT
7	1	4000164	RIGHT SIDE BONNET
8	1	4000165	LEFT SIDE BONNET
9	1	4000169	RADIATOR LEFT SUPPORT
10	1	4000170	RADIATOR RIGHT SUPPORT
11	1	4000171	RADIATOR CLOSING SUPPORT
12	1	4000172	REAR COVER
13	2	4000375	SIDE PROTECTION SUPPORT
14	4	4000376	SCREW
15	2	4000377	CYLINDRIC HEAD SCREW
16	8	4000378	COUNTERSUNK HEAD SCREW
17	8	4000176	HEADLESS SCREW
18	2	4000250	CYLINDRIC HEAD SCREW
19	4	4000379	FLANGED HEAD SCREW
20	2	4000316	FLANGED HEAD SCREW
21	2	4000353	FLANGED HEAD SCREW
22	5	4000380	FLANGED HEAD SCREW
23	12	4000075	AUTOGRIP NUT
24	4	4000381	AUTOGRIP NUT
25	4	9163001	LOCK NUT
26	41	05.287.09	LOCK NUT
27	2	4000112	BONNET FASTENER
28	4	9100101	WASHER
29	41	9100102	WASHER
30	12	9100103	WASHER
31	4	9100104	WASHER
32	4	9100204	SPRING WASHER
33	4	4000382	ANTI-VIBRATION BLOCK
34	2	4000383	HINGE
35	1	4000401	RADIATOR BONNET COMPLETE

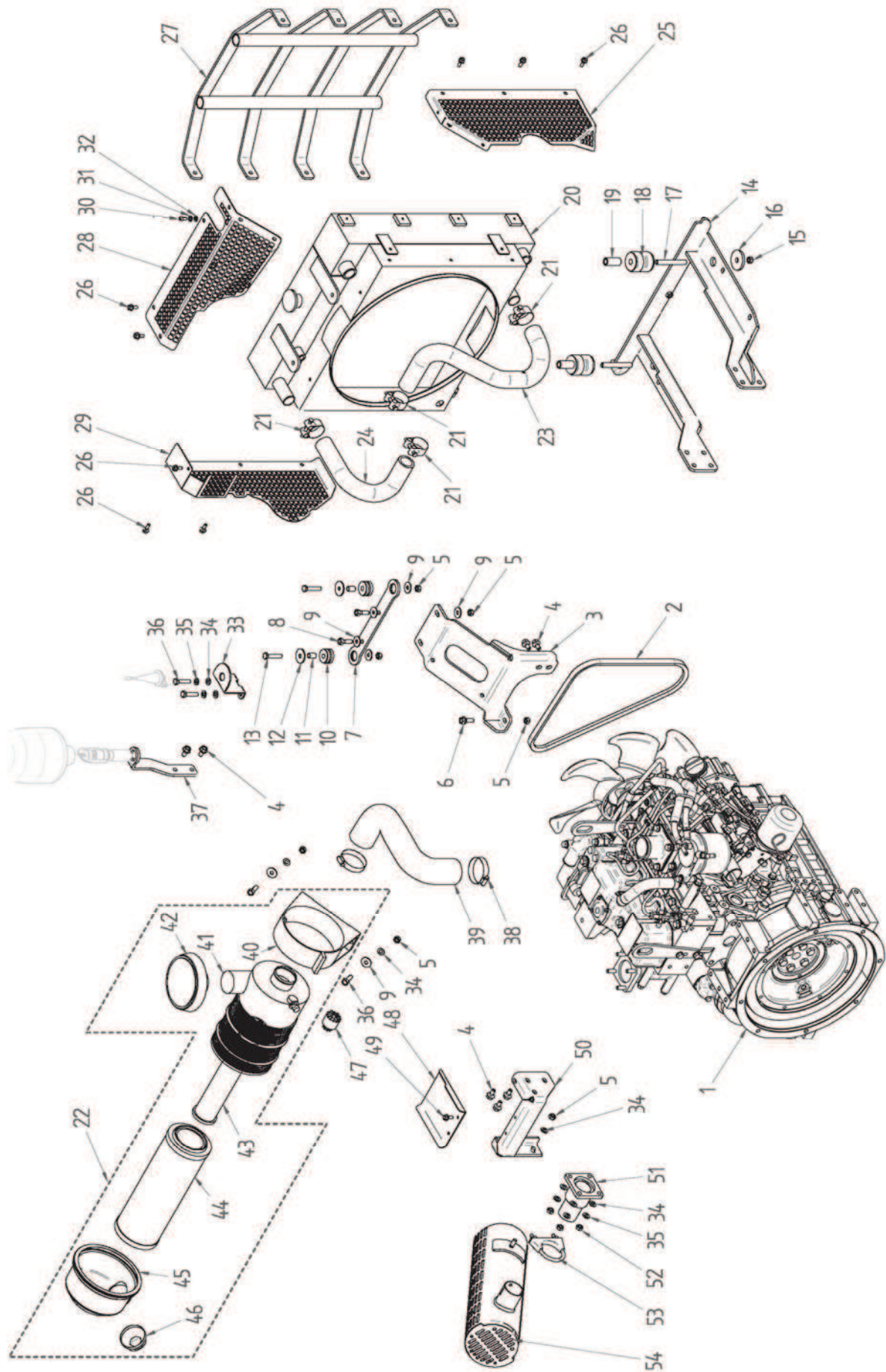


REF.	QTY.	PART No.	DESCRIPTION
			MACHINE COVER ASSEMBLY
1	2	4000151	ROLL BAR SUPPORT
2	1	4000152	ROLL BAR
3	2	4000153	BATTERY COVER
4	1	4000157	UPPER BONNET
5	1	4000158	UPPER MESH
6	2	4000159	SIDE MESH
7	1	4000160	FRONT MESH
8	1	4000161	VALVE COVER PLATE
9	1	4000162	TANK COVER PLATE
10	2	4000163	BUSHING
11	1	4000168	OIL SUMP PROTECTION
12	6	4000376	SCREW
13	8	4000175	SCREW
14	2	4000384	HEADLESS SCREW
15	9	4000177	HEX SKT BUTTON HEAD SCREW
16	2	4000107	CYLINDRIC HEAD SCREW
17	6	4000316	FLANGED HEAD SCREW
18	17	4000353	FLANGED HEAD SCREW
19	2	4000075	AUTOGRIP NUT
20	2	4000381	AUTOGRIP NUT
21	2	9163001	LOCK NUT
22	32	05.287.09	LOCK NUT
23	2	4000112	BONNET FASTENER
24	4	9100101	WASHER
25	32	9100102	WASHER
26	2	9100103	WASHER
27	6	9100104	WASHER
28	8	0100106	WASHER
29	6	9100204	SPRING WASHER
30	8	9100207	SPRING WASHER
31	2	4000385	WASHER (LARGE SERIES)
32	4	4000251	ANTI-VIBRATION BLOCK
33	1	4000099	REMOTE RECEIVER MOUNTING
34	4	9163003	LOCK NUT
35	4	4000386	ANTI-VIBRATION BLOCK
36	1	4000098	ELECTRIC BOX MOUNTING FRAME
37	12	4000387	HEX SKT BUTTON HEAD SCREW
38	16	4000321	WASHER (LARGE SERIES)
39	12	4000388	RUBBER WASHER (LARGE SERIES)
40	1	4000103	ELECTRICAL BOX COVER
41	1	4000402	UPPER BONNET COMPLETE
42	2	4000384	EXTENSION PLATE - <i>Serial No. ▶ 00027</i>
43	2	4000385	EXTENSION - <i>Serial No. ▶ 00027</i>
44	6	9100104	WASHER - <i>Serial No. ▶ 00027</i>
45	6	9163004	LOCK NUT - <i>Serial No. ▶ 00027</i>
46	4	4000175	HEX HEAD SCREW - <i>Serial No. ▶ 00027</i>
47	4	0100100	WASHER - <i>Serial No. ▶ 00027</i>
48	4	4000227	LOCK NUT - <i>Serial No. ▶ 00027</i>
49	6	4000430	FLANGED HEAD SCREW - <i>Serial No. ▶ 00027</i>

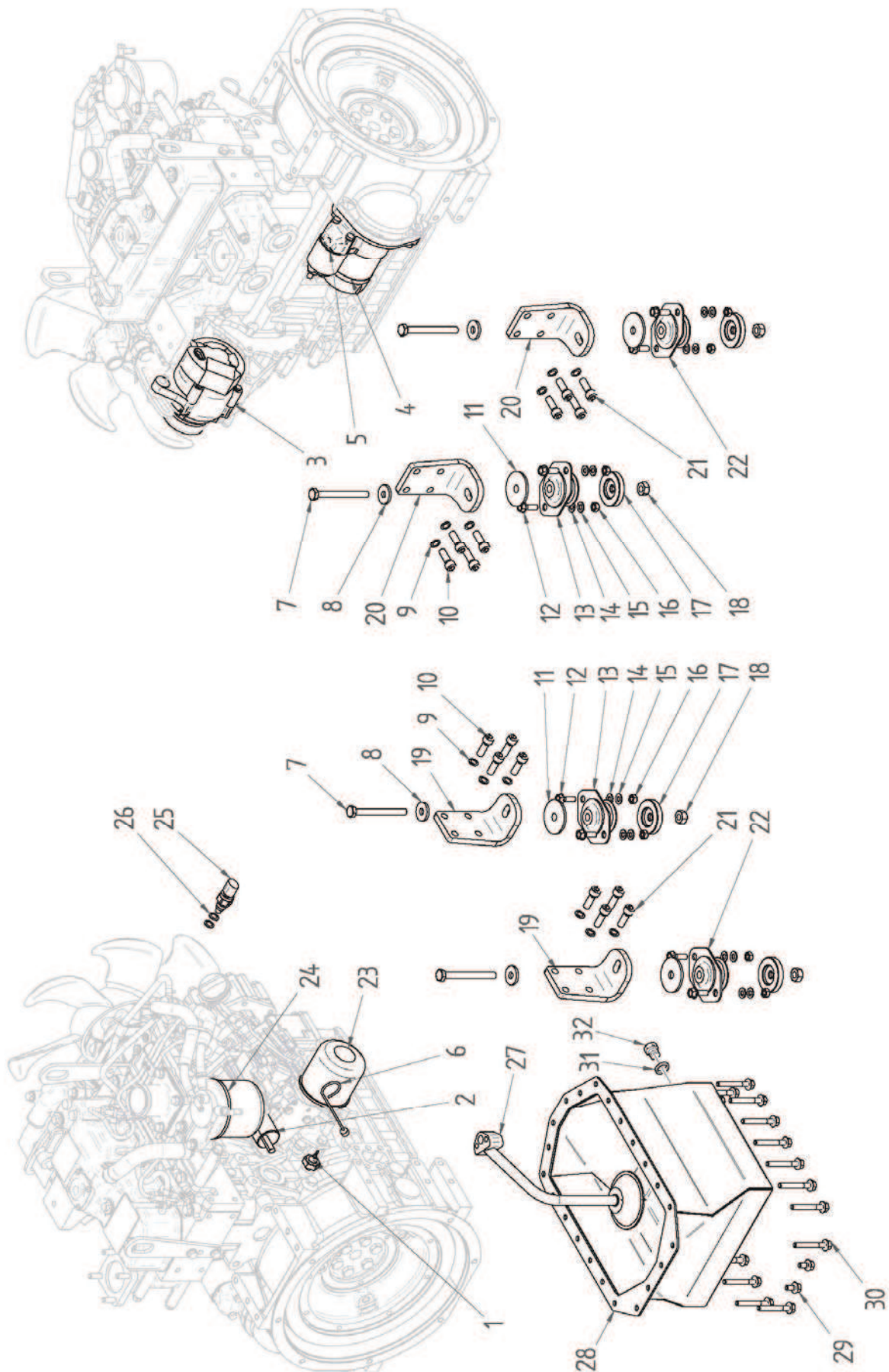


REF.	QTY.	PART No.	DESCRIPTION
			DIESEL ENGINE
1	1	4000701	ISUZU ENGINE (40HP)
2	1	4000275	MOTOR BELT
3	1	4000054	AIR FILTER MOUNTING
4	7	4000353	FLANGED HEAD SCREW
5	8	4000381	AUTOGRIP NUT
6	1	4000380	FLANGED HEAD SCREW
7	1	4000055	RADIATOR BRACKET
8	2	9313064	SETSCREW
9	8	4000385	WASHER (LARGE SERIES)
10	2	4000084	ANTI-VIBRATION RUBBER
11	2	4000389	SPACER
12	2	4000080	WASHER (LARGE SERIES)
13	2	9313084	SETSCREW
14	1	4000045	RADIATOR MOUNTING BRACKET
15	2	4000077	AUTOGRIP NUT
16	2	4000390	WASHER
17	2	4000068	HEADLESS SCREW
18	2	4000083	ANTI-VIBRATION MOUNTING
19	2	4000391	SPACER
20	1	4000046	RADIATOR
21	4	0904106	HOSE CLIP
22	1	4000400	AIR FILTER COMPLETE c/w CLIP
23	1	4000392	RADIATOR HOSE LEFT
24	1	4000394	RADIATOR HOSE RIGHT
25	1	4000041	LEFT MESH GUARD
26	11	4000394	FLANGED HEAD SCREW
27	1	4000047	RADIATOR PROTECTION
28	1	4000043	UPPER MESH GUARD
29	1	4000042	RIGHT MESH GUARD
30	1	4000395	SCREW
31	1	9100203	WASHER
32	1	9100103	WASHER
33	1	4000396	ANTENNA BRACKET
34	9	9100104	WASHER
35	6	9100204	SPRING WASHER
36	4	9313074	SETSCREW
37	1	4000286	LIGHT BRACKET
38	2	4000397	CLIP
39	1	4000398	RUBBER HOSE
40	1	4000052	AIR FILTER BRACKET
41	1	4000048	AIR FILTER HOUSING
42	1	4000051	AIR FILTER COVER

Continued ...

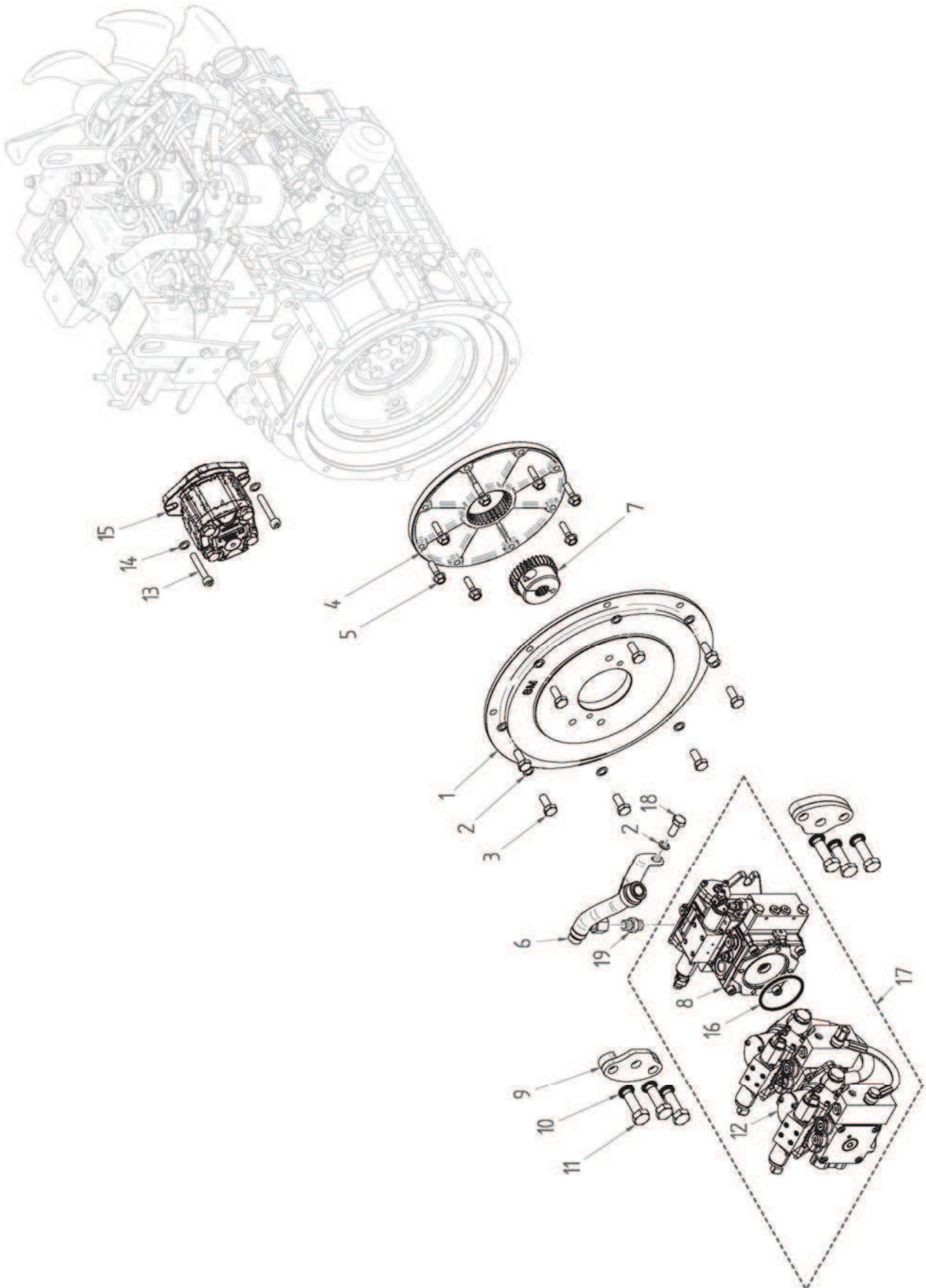


REF.	QTY.	PART No.	DESCRIPTION
			DIESEL ENGINE (Continued)
43	1	4000261	SECONDARY AIR FILTER
44	1	4000260	PRIMARY AIR FILTER
45	1	4000280	FILTER HOUSING CAP
46	1	4000279	RUBBER VALVE
47	1	4000281	CLOGGING SENSOR
48	1	4000063	ALTERNATOR LID
49	2	4000379	FLANGED HEAD SCREW
50	1	4000062	EXHAUST SUPPORT
51	1	4000061	EXHAUST MANIFOLD
52	4	9113004	NUT
53	1	4000399	CLIP
54	1	4000065	EXHAUST SILENCER

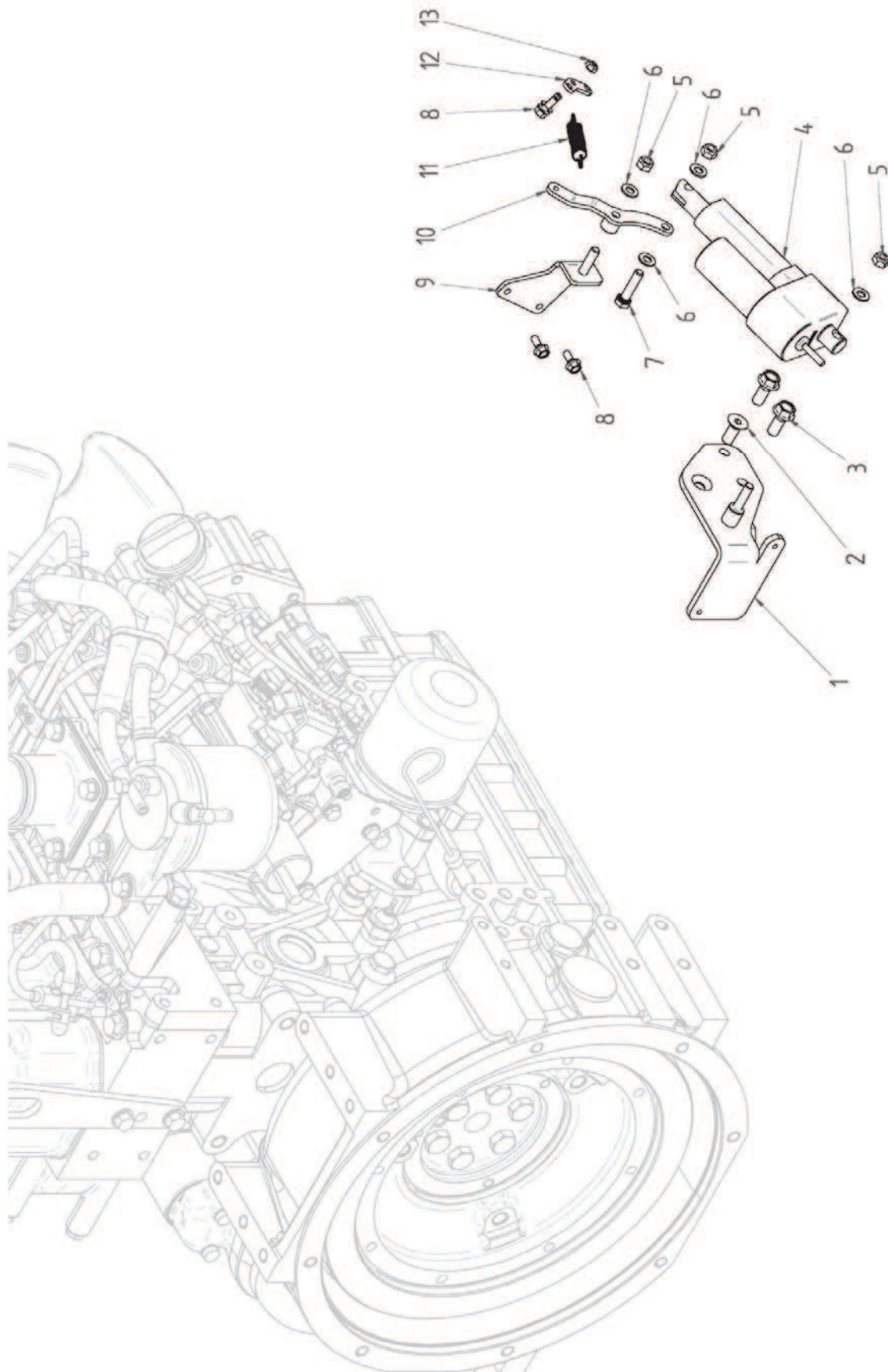


ROBOCUT

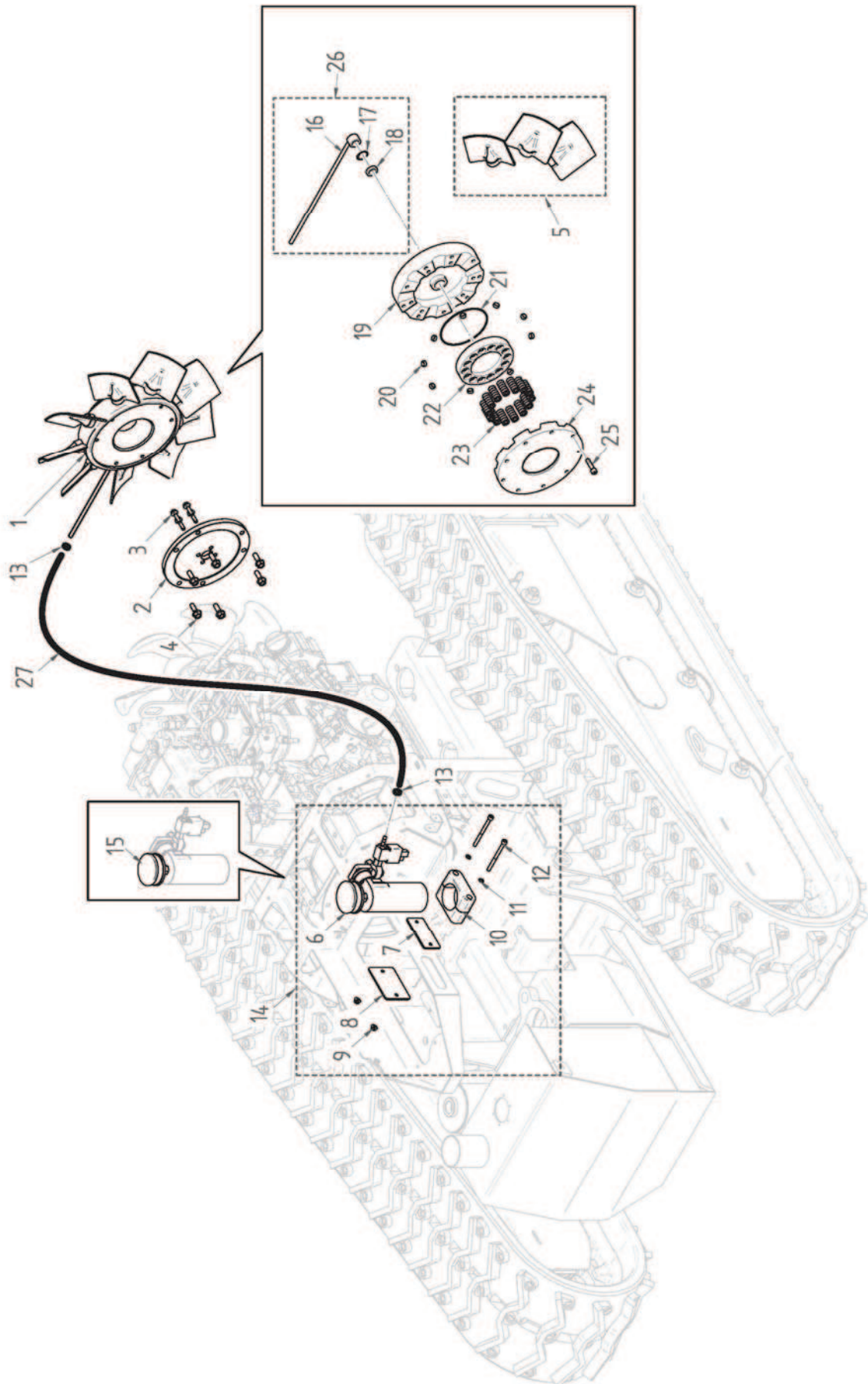
REF.	QTY.	PART No.	DESCRIPTION
			DIESEL ENGINE COMPONENTS
1	1	4000403	OIL SENSOR
2	1	4000404	SOLENOID - ELECTRICAL STOP
3	1	4000405	ALTERNATOR
4	1	4000406	STARTER MOTOR
5	1	4000407	SOLENOID - STARTER MOTOR
6	1	4000408	DIPSTICK
7	4	4000409	SETSCREW
8	4	9100106	WASHER
9	16	4000410	KNURLED WASHER
10	8	4000411	CYLINDRIC HEAD SCREW
11	4	4000412	SILENCING WASHER
12	8	9300166	HEX SKT BUTTON HEAD SCREW
13	2	4000414	REAR ANTI-VIBRATION MOUNTING
14	8	9100105	WASHER
15	8	4000415	WASHER
16	8	4000416	AUTOGRIP NUT
17	4	4000417	ANTI-VIBRATION BLOCK
18	4	4000418	AUTOGRIP NUT
19	2	4000419	LH ENGINE MOUNTING - <i>Serial No. 00074</i> ▶
	2	4000597	ENGINE MOUNTING - <i>Serial No. ▶00073</i>
20	2	4000420	RH ENGINE MOUNTING - <i>Serial No. 00074</i> ▶
	2	4000597	ENGINE MOUNTING - <i>Serial No. ▶00073</i>
21	8	4000421	CYLINDRIC HEAD SCREW
22	2	4000422	FRONT ANTI-VIBRATION MOUNTING
23	1	4000257	ENGINE OIL FILTER
24	1	4000105	FUEL FILTER
25	1	4000423	WATER SENSOR
26	2	4000424	COPPER WASHER
27	1	4000425	SUCTION STRAINER
28	1	4000053	OIL SUMP
29	2	4000353	FLANGED HEAD SCREW
30	20	4000426	FLANGED HEAD SCREW
31	1	4000427	COPPER WASHER
32	1	4000428	PLUG



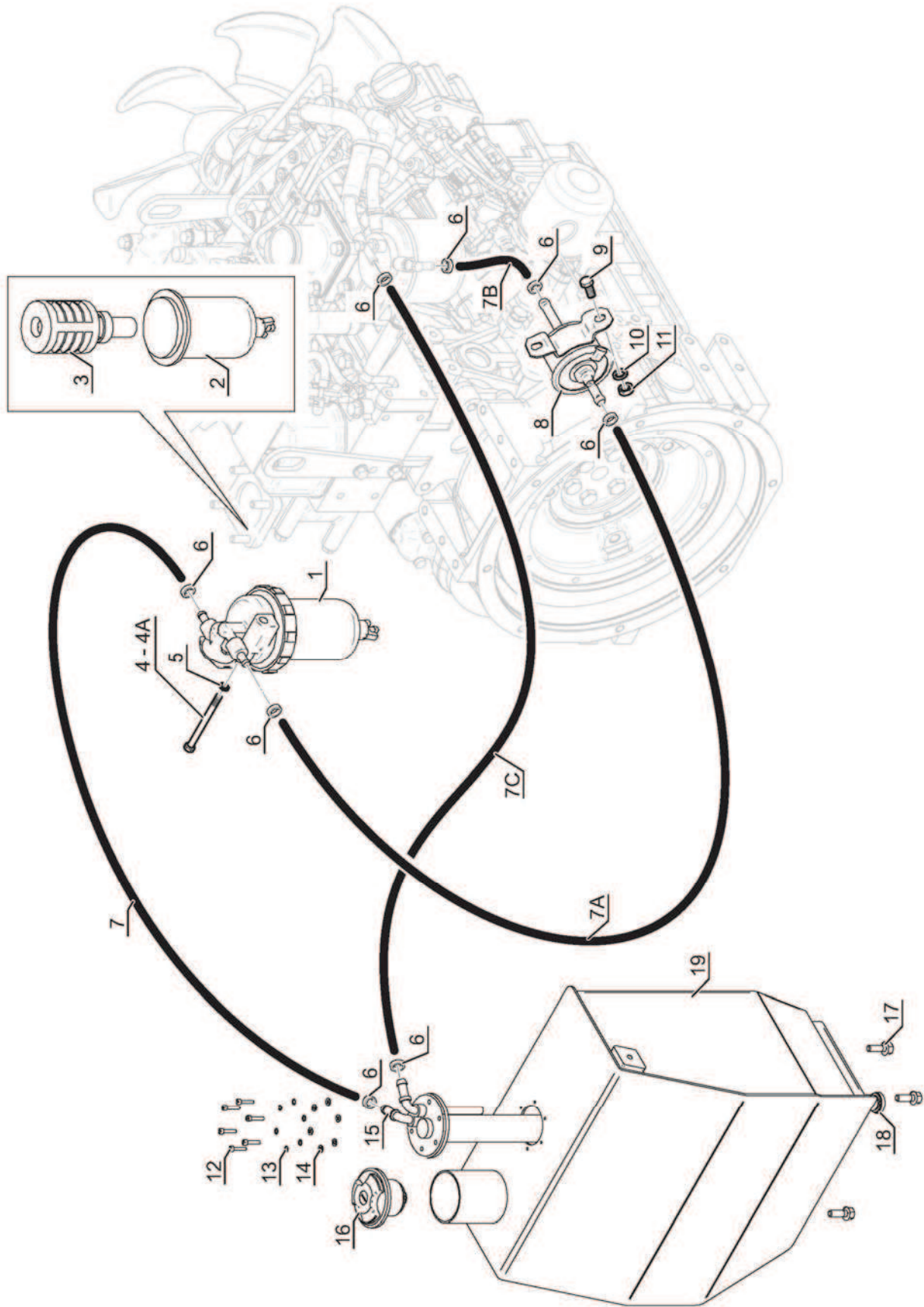
REF.	QTY.	PART No.	DESCRIPTION
			PUMPS ASSEMBLY
1	1	4000429	FLYWHEEL PUMP ADAPTOR
2	9	4000410	KNURLED WASHER
3	8	4000038	HEX HEAD SCREW
4	1	4000297	FLYWHEEL
5	8	4000430	FLANGED HEAD SCREW
6	1	4000431	PUMP MANIFOLD
7	1	4000432	GROOVED JOINT
8	1	4000296	ROTOR PUMP
9	2	4000433	PUMP CLAMP
10	6	4000434	LOCK WASHER
11	6	4000435	HEX HEAD SCREW
12	1	4000436	TANDEM PISTON PUMP - <i>Serial No. 00074</i> ▶
	1	4000598	TANDEM PISTON PUMP - <i>Serial No. ▶00073</i>
13	2	4000437	CYLINDRIC HEAD SCREW
14	2	9100105	WASHER
15	1	4000345	GEAR PUMP
16	1	4000438	O RING
17	1	4000439	PISTON PUMP
18	1	4000440	HEX HEAD SCREW
19	1	7315797	CONNECTOR



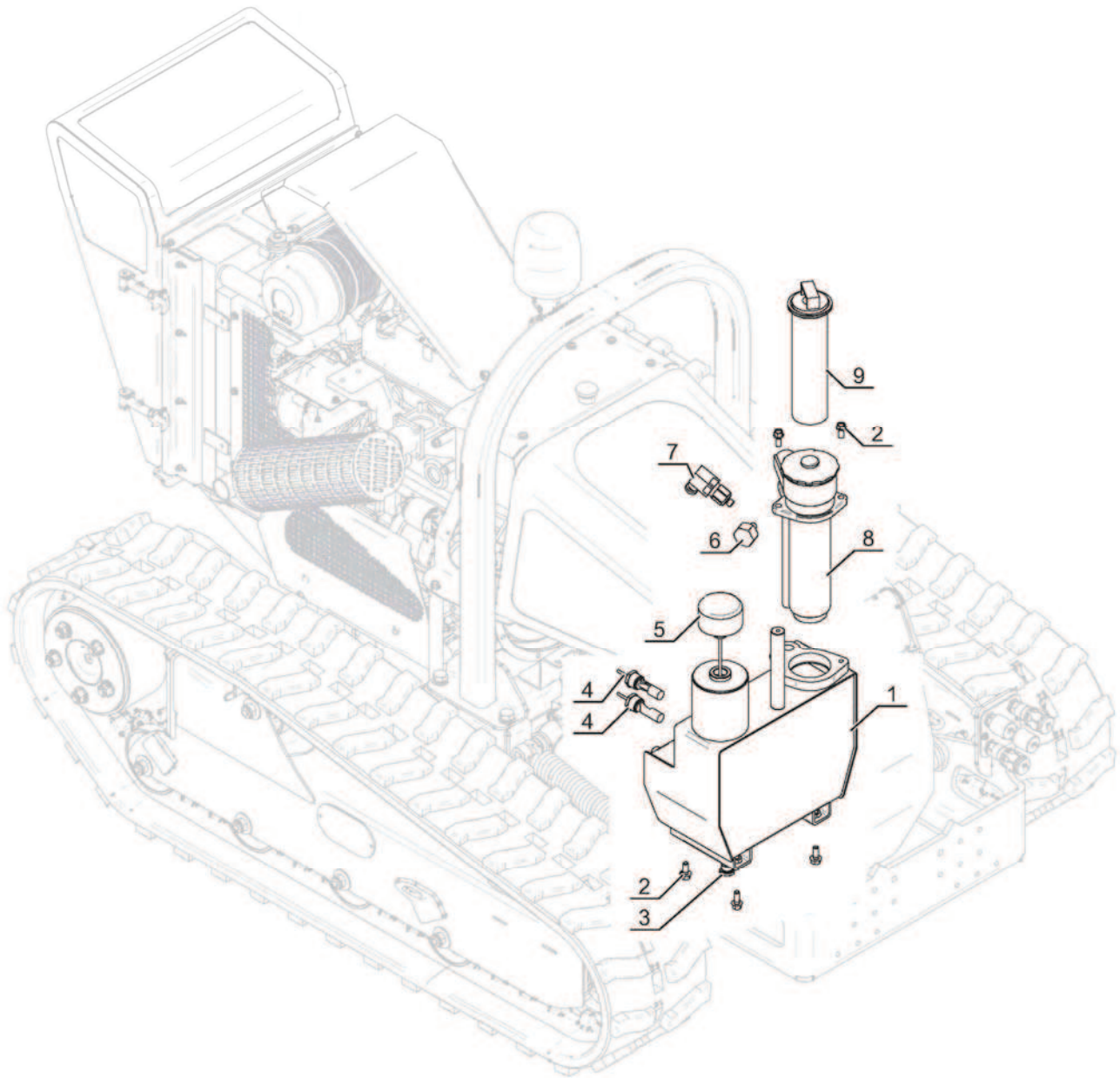
REF.	QTY.	PART No.	DESCRIPTION
			ACTUATOR ASSEMBLY
1	1	4000057	BRACKET
2	1	4000441	COUNTERSUNK HEAD SCREW
3	2	4000442	FLANGED HEAD SCREW
4	1	4000086	ACTUATOR
5	3	4000381	AUTOGRIP NUT
6	4	9100104	WASHER
7	1	9313064	HEX HEAD SCREW
8	4	9313033	FLANGED HEAD SCREW
9	1	4000058	THROTTLE BRACKET
10	1	4000059	ACTUATOR ARM
11	1	4000074	THROTTLE SPRING
12	1	4000060	ACTUATOR SPRING LINKAGE
13	2	4000443	AUTOGRIP NUT



REF.	QTY.	PART No.	DESCRIPTION
			REVERSIBLE FAN ASSEMBLY
1	1	4000274	REVERSIBLE FAN
2	1	4000276	FLANGE
3	4	4000444	FLANGED HEAD SCREW
4	6	4000445	FLANGED HEAD SCREW
5	3	4000278	BLADE SET FOR FAN (3 BLADES)
6	1	4000446	COMPRESSOR
7	1	4000447	COMPRESSOR PLATE (OUTER)
8	1	4000448	COMPRESSOR PLATE (INNER)
9	2	4000449	FLANGED NUT
10	1	4000450	COMPRESSOR CLAMP
11	2	9100103	WASHER
12	2	4000452	CYLINDRIC HEAD SCREW
13	2	4000453	HOSE CLAMP
14	1	4000451	FAN COMPRESSOR c/w FITTINGS
15	1	4000454	FAN COMPRESSOR FILTER
16	1	4000455	AIR HOSE COMPLETE
17	1	4000456	SAFETY RING
18	1	4000457	GASKET
19	1	4000458	FRONT FLANGE
20	9	4000459	ECCENTRIC PIN
21	1	4000460	SQUARE SEALING RING
22	1	4000461	PISTON
23	14	4000462	SPRING
24	1	4000463	REAR FLANGE
25	9	4000464	CYLINDRIC HEAD SCREW
26	1	4000465	PIPE KIT
27	1	4000466	AIR HOSE



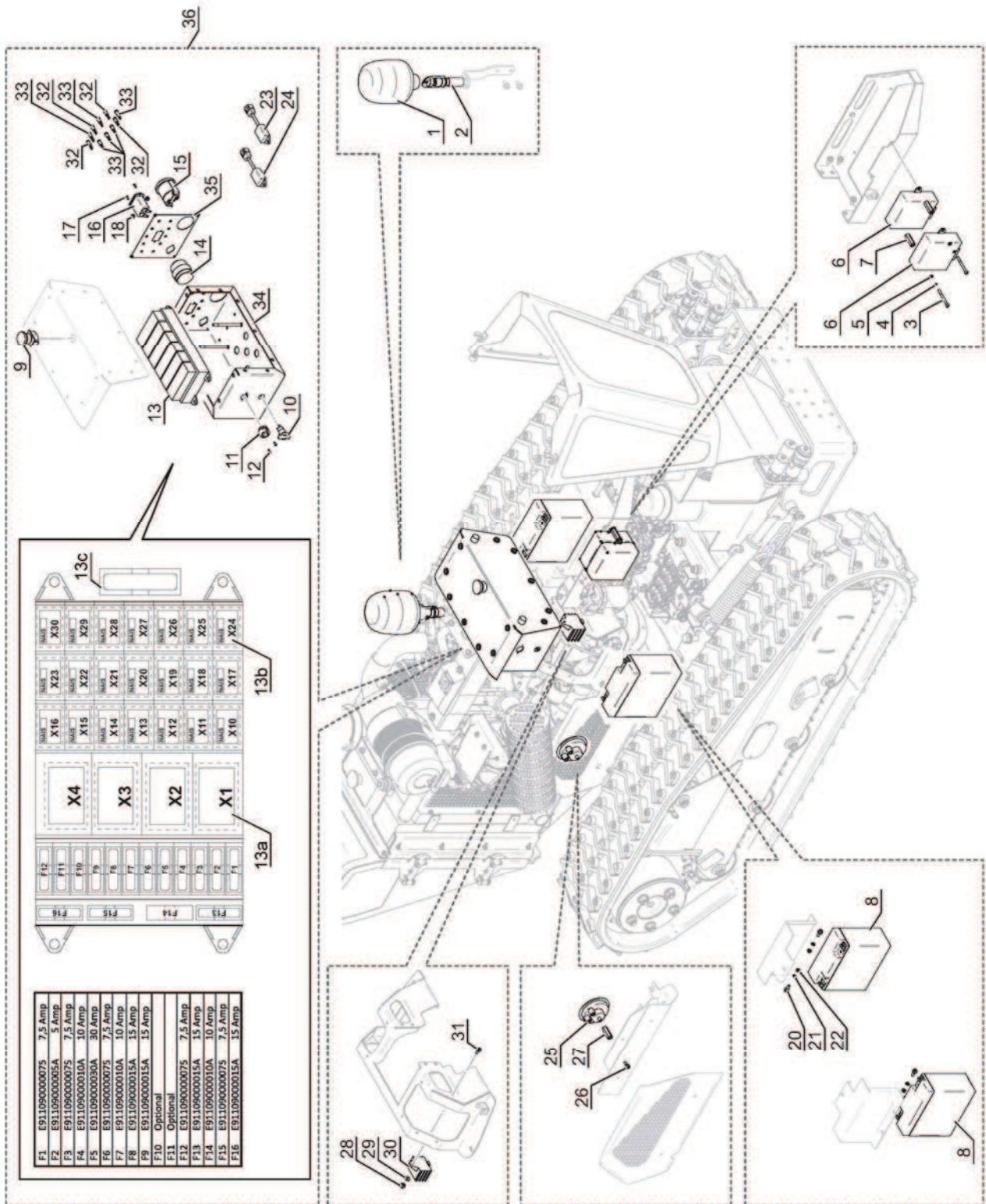
REF.	QTY.	PART No.	DESCRIPTION
			DIESEL FUEL CIRCUIT
1	1	4000292	PRIMARY FUEL FILTER
2	1	4000341	FUEL FILTER CAP
3	1	4000342	PRIMARY FILTER CARTRIDGE
4	1	9213144	HEX HEAD SCREW
5	1	9100104	WASHER
6	8	4000467	HOSE CLAMP
7	1	4000468	DIESEL HOSE - 1190mm
7A	1	4000469	DIESEL HOSE - 870mm
7B	1	4000470	DIESEL HOSE - 260mm
7C	1	4000471	DIESEL HOSE - 1350mm
8	1	4000126	FUEL PUMP
9	2	4000472	FLANGED HEAD SCREW
10	2	9100103	WASHER
11	2	4000443	AUTOGRIP NUT
12	6	4000106	CYLINDRIC HEAD SCREW
13	6	4000113	SPRING WASHER
14	6	9100101	WASHER
15	1	4000473	FUEL LEVEL SENSOR
16	1	4000474	FUEL CAP
17	8	7315750	FLANGED HEAD SCREW
18	2	4000127	PLUG
19	1	4000096	FUEL TANK



REF.	QTY.	PART No.	DESCRIPTION
			OIL TANK ASSEMBLY
1	1	4000097	OIL TANK
2	6	7315750	FLANGED HEAD SCREW
3	2	4000127	PLUG
4	2	4000148	LEVEL SENSOR
5	1	4000124	OIL CAP / LEVEL
6	1	4000475	OIL FILTER SENSOR BRACKET
7	1	4000476	FILTER CLOGGING SWITCH
8	1	4000122	OIL FILTER HOUSING
9	1	4000259	OIL FILTER ELEMENT

ELECTRICAL COMPONENTS

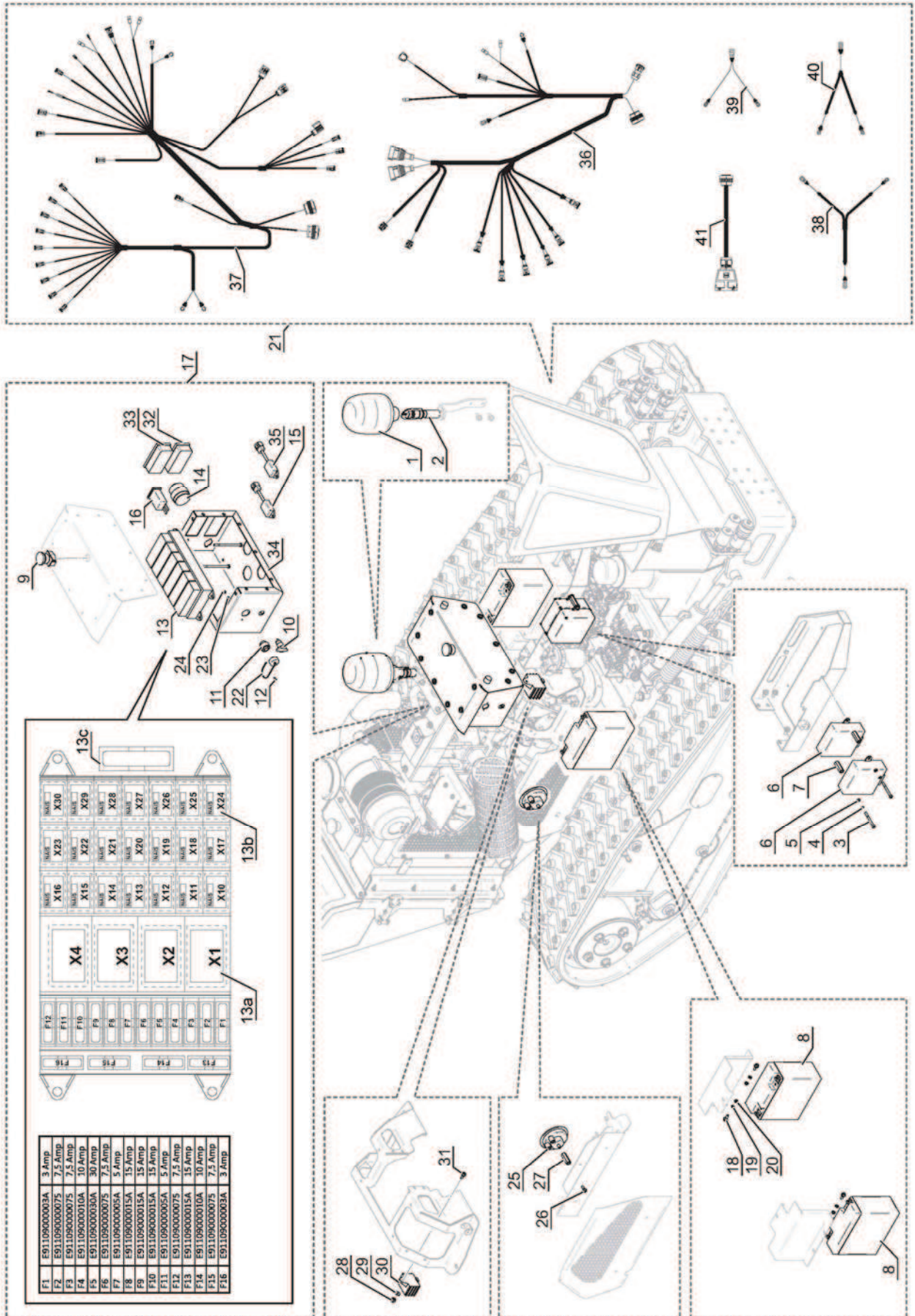
ROBOCUT (Machine Serial No. ► 00088)



REF.	QTY.	PART No.	DESCRIPTION
			ELECTRICAL COMPONENTS
			Machine Serial No. ► 00088
1	1	4000294	BEACON
2	1	4000284	BEACON CONNECTION
3	2	4000108	CYLINDRIC HEAD SCREW
4	2	9100203	SPRING WASHER
5	2	9100103	WASHER
6	2	4000304	MICROPROCESSOR
7	2	4000305	NUT
8	2	4000181	BATTERY
9	1	4000306	EMERGENCY SWITCH (RED)
10	1	4000307	PLUG 12V
11	1	4000599	CONNECTOR PLUG (FEMALE)
12	2	4000600	COUNTERSUNK SCREW
13	1	4000147	RELAYS / FUSE BOX
13a	4	4000302	RELAY WITH DIODE
13b	21	4000303	MICRO RELAY
13c	1	4000311	FUSE (40A)
14	1	4000312	IGNITION SWITCH
15	1	4000143	WATER TEMPERATURE INDICATOR
16	1	4000149	HOURS COUNTER
17	2	4000309	HEX SKT BUTTON HEAD SCREW
18	2	9163001	LOCK NUT
19	1	4000484	FEMALE CONNECTOR
20	1	4000316	FLANGED HEAD SCREW
21	1	9100103	WASHER
22	1	4000075	AUTOGRIP NUT
23	1	4000326	INJECTION PUMP DELAY
24	1	4000313	PRE AIR HEATER
25	1	4000301	HORN (12V)
26	1	4000319	FLANGED HEAD SCREW
27	1	4000320	NUT
28	1	9163003	AUTOGRIP NUT
29	1	4000321	WASHER (LARGE SERIES)
30	1	4000322	SHUNT BOX
31	1	4000316	FLANGED HEAD SCREW
32	4	4000601	YELLOW LED
33	6	4000602	RED LED
34	1	4000102	ELECTRICAL BOX
35	1	4000104	INSTRUMENT PANEL
36	1	4000603	ELECTRICAL BOX ASSEMBLY

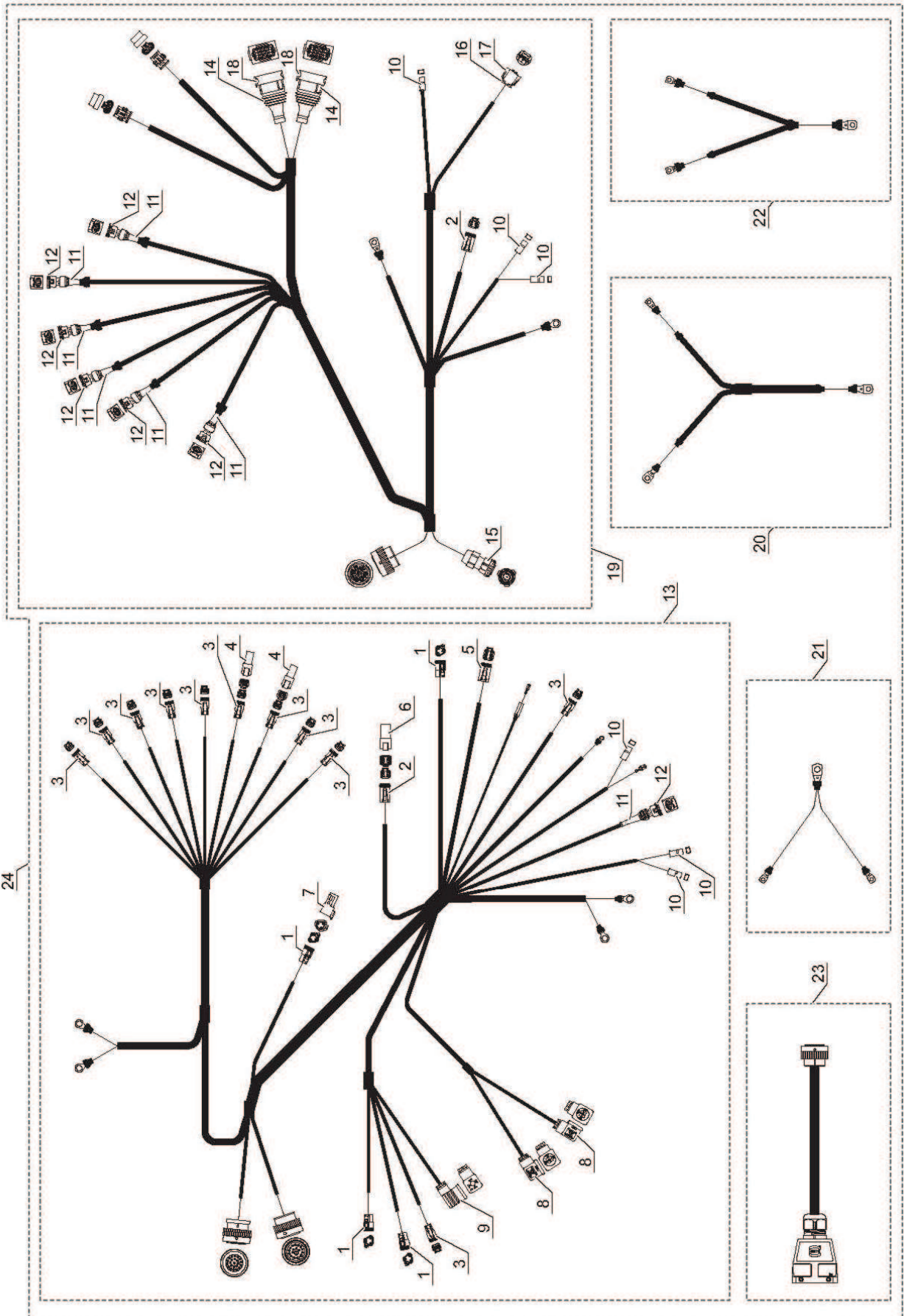
ELECTRICAL COMPONENTS

ROBOCUT (Machine Serial No. 00089 ►)



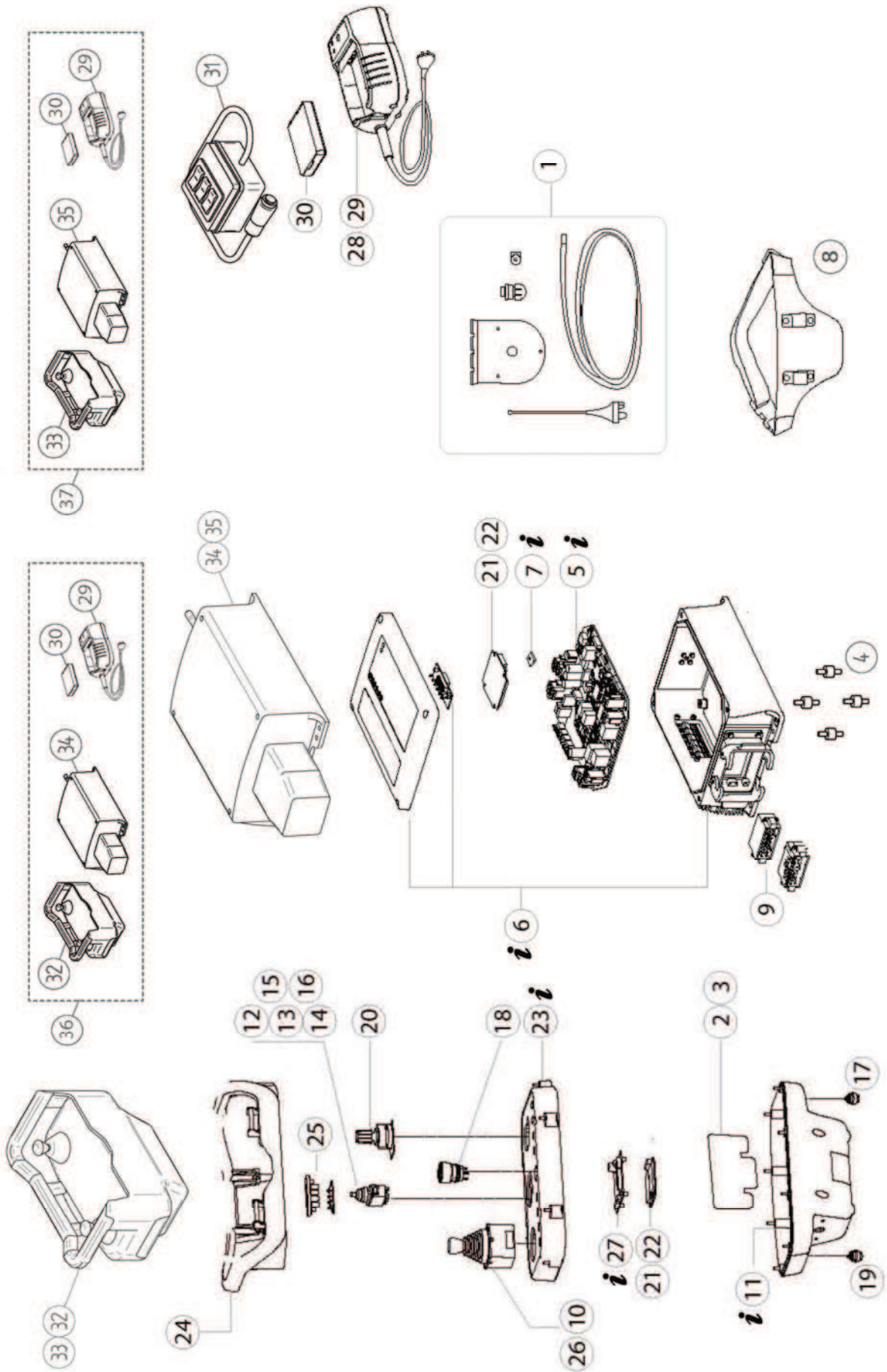
F1	E91109000003A	3 Amp
F2	E911090000075	7.5 Amp
F3	E911090000075	7.5 Amp
F4	E91109000010A	10 Amp
F5	E91109000010A	10 Amp
F6	E911090000075	7.5 Amp
F7	E91109000005A	5 Amp
F8	E91109000015A	15 Amp
F9	E91109000015A	15 Amp
F10	E91109000015A	15 Amp
F11	E91109000005A	5 Amp
F12	E911090000075	7.5 Amp
F13	E91109000010A	10 Amp
F14	E91109000010A	10 Amp
F15	E911090000075	7.5 Amp
F16	E91109000003A	3 Amp

REF.	QTY.	PART No.	DESCRIPTION
			ELECTRICAL COMPONENTS
			Machine Serial No. 00089 ►
1	1	4000294	BEACON
2	1	4000284	BEACON CONNECTION
3	2	4000108	CYLINDRIC HEAD SCREW
4	2	9100203	SPRING WASHER
5	2	9100103	WASHER
6	2	4000304	MICROPROCESSOR
7	2	4000305	NUT
8	2	4000181	BATTERY
9	1	4000306	EMERGENCY SWITCH (RED)
10	1	4000307	PLUG 12V
11	1	4000308	FEMALE CONNECTOR
12	2	4000309	HEX SKT BUTTON HEAD SCREW
13	1	4000310	RELAYS / FUSE BOX
13a	4	4000302	RELAY WITH DIODE
13b	21	4000303	MICRO RELAY
13c	1	4000311	FUSE (40A)
14	1	4000312	IGNITION SWITCH
15	1	4000313	PRE AIR HEATER
16	1	4000314	HOURS COUNTER
17	1	4000315	ELECTRICAL BOX ASSEMBLY
18	4	4000309	FLANGED HEAD SCREW
19	4	4000321	WASHER
20	4	9163003	AUTOGRIP NUT
21	1	4000317	ELECTRICAL SYSTEM COMPLETE
22	1	4000318	CONNECTOR PLUG (FEMALE)
23	1	9100101	WASHER
24	1	9163001	LOCK NUT
25	1	4000301	HORN (12V)
26	1	4000319	FLANGED HEAD SCREW
27	1	4000320	NUT
28	1	9163003	LOCK NUT
29	1	4000321	WASHER (LARGE SERIES)
30	1	4000322	SHUNT BOX
31	1	4000316	FLANGED HEAD SCREW
32	1	4000323	ELECTRICAL UNIT
33	1	4000324	ELECTRICAL UNIT
34	1	4000325	ELECTRICAL BOX
35	1	4000326	INJECTION PUMP DELAY
36	1	4000327	WIRING LOOM (CUTTING HEAD)
37	1	4000328	WIRING LOOM (DISTRIBUTOR)
38	1	4000329	BATTERY CABLE (POSITIVE)
39	1	4000330	BATTERY CABLE (NEGATIVE)
40	1	4000331	WIRING LOOM (STARTER/ALTERNATOR)
41	1	4000332	POWER LINE (RECEIVER)



REF.	QTY.	PART No.	DESCRIPTION
			ELECTRICAL WIRING
1	4	4000477	3-WAY MALE CONNECTOR
2	2	4000478	4-WAY MALE CONNECTOR
3	11	4000479	2-WAY MALE CONNECTOR
4	2	4000480	2-WAY FEMALE CONNECTOR
5	1	4000481	6-WAY MALE CONNECTOR
6	1	4000482	4-WAY FEMALE CONNECTOR
7	1	4000483	3-WAY FEMALE CONNECTOR
8	2	4000484	2 POLE FEMALE CONNECTOR
9	1	4000485	3 POLE FEMALE CONNECTOR
10	5	4000486	CONNECTOR
11	7	4000487	RUBBER CABLE SLEEVE
12	7	4000337	2-WAY CONNECTOR
13	1	4000328	WIRING LOOM (DISTRIBUTOR)
14	2	4000488	24-WAY CONNECTOR
15	1	4000489	3-WAY FEMALE CONNECTOR
16	1	4000490	CONNECTOR
17	1	4000491	RUBBER CABLE SLEEVE
18	2	4000492	SLIDE FOR 24-WAY CONNECTOR
19	1	4000493	WIRING LOOM (CUTTING HEAD)
20	1	4000329	BATTERY CABLE (POSITIVE)
21	1	4000330	BATTERY CABLE (NEGATIVE)
22	1	4000331	WIRING LOOM (STARTER MOTOR)
23	1	4000332	WIRING LOOM (RECEIVER)
24	1	4000317	WIRING LOOM COMPLETE

i NOTE: The Serial No. of the Remote Control is required to order items #5, 6, 7, 11, 23 & 27



REF.	QTY.	PART No.	DESCRIPTION
			CONTROL TRANSMITTING/RECEIVING UNITS
1	1	4000282	AERIAL (ANTENNA)
2	1	4000494	ANTENNA (EUR)
3	1	4000495	ANTENNA (USA)
4	1	4000496	VIBRATION DAMPER KIT
5	1	4000497	i MOTHERBOARD <i>(Requires Serial No. of R/C)</i>
6	1	4000498	i ARM CASING <i>(Requires Serial No. of R/C)</i>
7	1	4000499	i ADDRESS KEY <i>(Requires Serial No. of R/C)</i>
8	1	4000500	WAIST BELT
	1	4000501	WAIST BELT XXL (Optional)
9	1	4000502	SOCKET
10	2	4000503	PROPORTIONAL JOYSTICK (DUAL AXIS)
11	1	4000504	i LOWER CONTROL UNIT <i>(Requires Serial No. of R/C)</i>
12	1	4000505	TOGGLE SWITCH (ON)-OFF-(ON)
13	1	4000506	TOGGLE SWITCH ON-OFF-ON
14	1	4000507	TOGGLE SWITCH (ON)-ON
15	2	4000508	TOGGLE SWITCH ON-ON
16	1	4000509	TOGGLE SWITCH 2 POLES ON-OFF-ON
17	4	4000510	PUSH-BUTTON (BLACK)
18	1	4000511	STOP PUSH-BUTTON
19	1	4000512	PUSH-BUTTON (GREEN)
20	2	4000513	POTENTIOMETRIC SELECTOR
21	1	4000514	RADIO MODULE (EUR)
22	1	4000515	RADIO MODULE (USA)
23	1	4000516	i UPPER CONTROL UNIT <i>(Requires Serial No. of R/C)</i>
24	1	4000517	CONTROL UNIT FRAME
25	1	4000518	KIT CARD (4 LEDS)
26	1	4000519	JOYSTICK GAITOR
27	1	4000525	i CODER CARD <i>(Requires Serial No. of R/C)</i>
28	1	4000293	BATTERY CHARGER - EUR
29	1	4000526	BATTERY CHARGER - USA (Optional)
30	1	4000270	REMOTE CONTROL BATTERY
31	1	4000527	MANUAL CONTROLLER
32	1	4000273	TRANSMITTER (EUR)
33	1	4000528	TRANSMITTER (USA - AUS)
34	1	4000530	RADIO R/CONTROL RECEIVER (EUR)
35	1	4000529	RADIO R/CONTROL RECEIVER (USA-AUS)
36	1	4000291	RECEIVER / TRANSMITTER SET (EUR)
37	1	4000532	RECEIVER / TRANSMITTER SET (USA-AUS)

INTAKE & DRAIN PUMPS

ROBOCUT (Machine Serial No. 00028 ▶ 00088)



INTAKE & DRAIN PUMPS**McCONNEL**

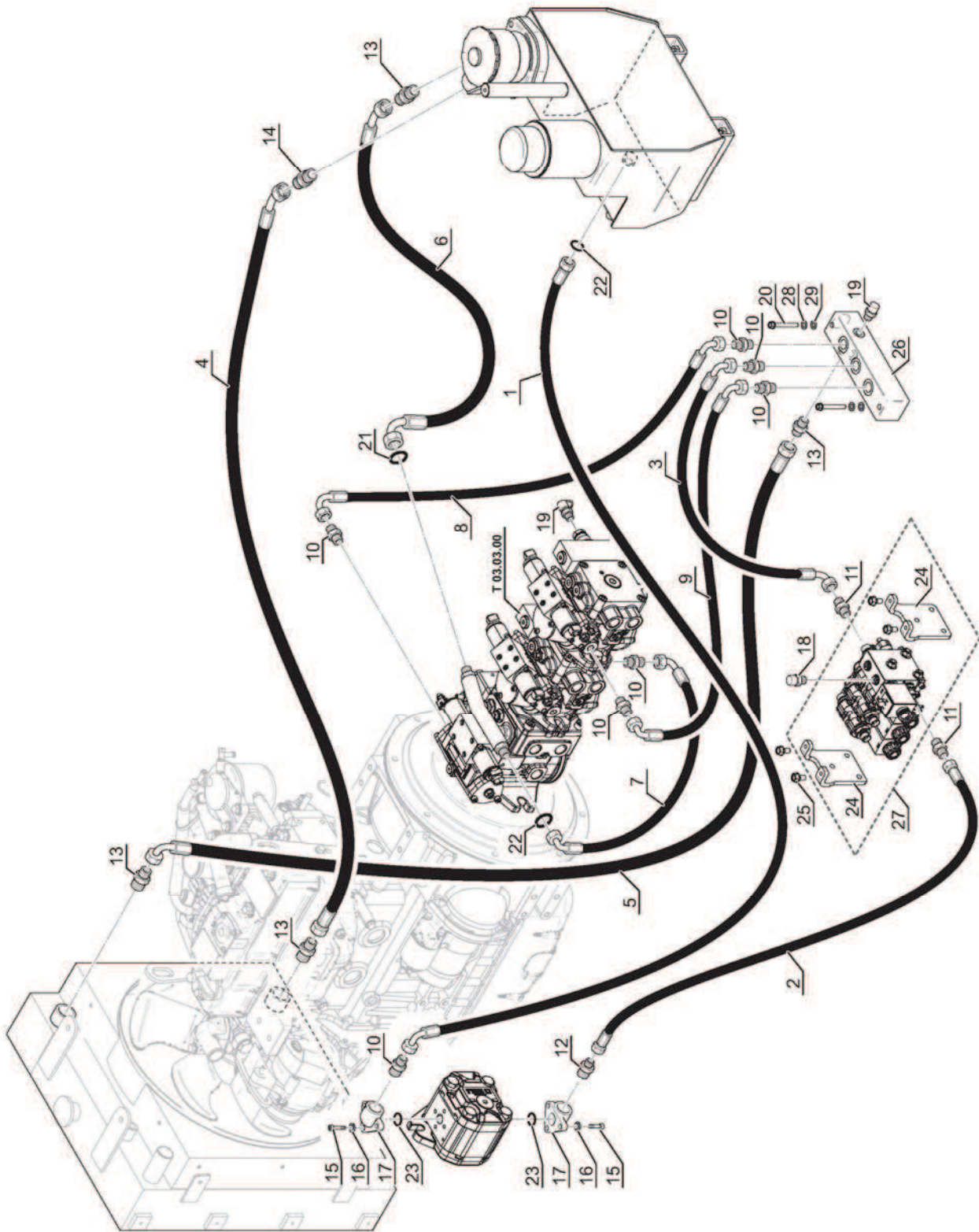
ROBOCUT (Machine Serial No. 00028 ► 00088)

REF.	QTY.	PART No.	DESCRIPTION
			INTAKE & DRAIN PUMPS
			Machine Serial No. 00028 ► 00088
1	1	4000533	HYDRAULIC HOSE
2	1	4000534	HYDRAULIC HOSE
3	1	4000535	HYDRAULIC HOSE
4	1	4000536	HYDRAULIC HOSE
5	1	4000537	HYDRAULIC HOSE
6	1	4000538	HYDRAULIC HOSE
7	1	4000539	HYDRAULIC HOSE
8	1	4000540	HYDRAULIC HOSE
9	1	4000541	HYDRAULIC HOSE
10	7	7315797	CONNECTOR
11	2	7315777	CONNECTOR
12	1	7315775	CONNECTOR
13	4	7315774	CONNECTOR
14	1	4000542	CONNECTOR
15	6	4000543	CYLINDRIC HEAD SCREW
16	6	4000544	SPRING WASHER
17	2	4000545	PUMP CONNECTION
18	1	4000546	CHECK COUPLING
19	2	7315769	CHECK COUPLING
20	3	4000604	FEMALE PLUG
21	1	4000548	O RING
22	2	4000549	O RING
23	2	4000550	O RING
24	2	4000551	VALVE BLOCK BRACKET
25	8	4000353	FLANGED HEAD SCREW
26	1	4000100	OIL MANIFOLD
27	1	4000553	VALVE BLOCK
28	2	4000353	FLANGED HEAD SCREW

INTAKE & DRAIN PUMPS

ROBOCUT (Machine Serial No. 00089 ▶)

McCONEL



INTAKE & DRAIN PUMPS**McCONNEL**

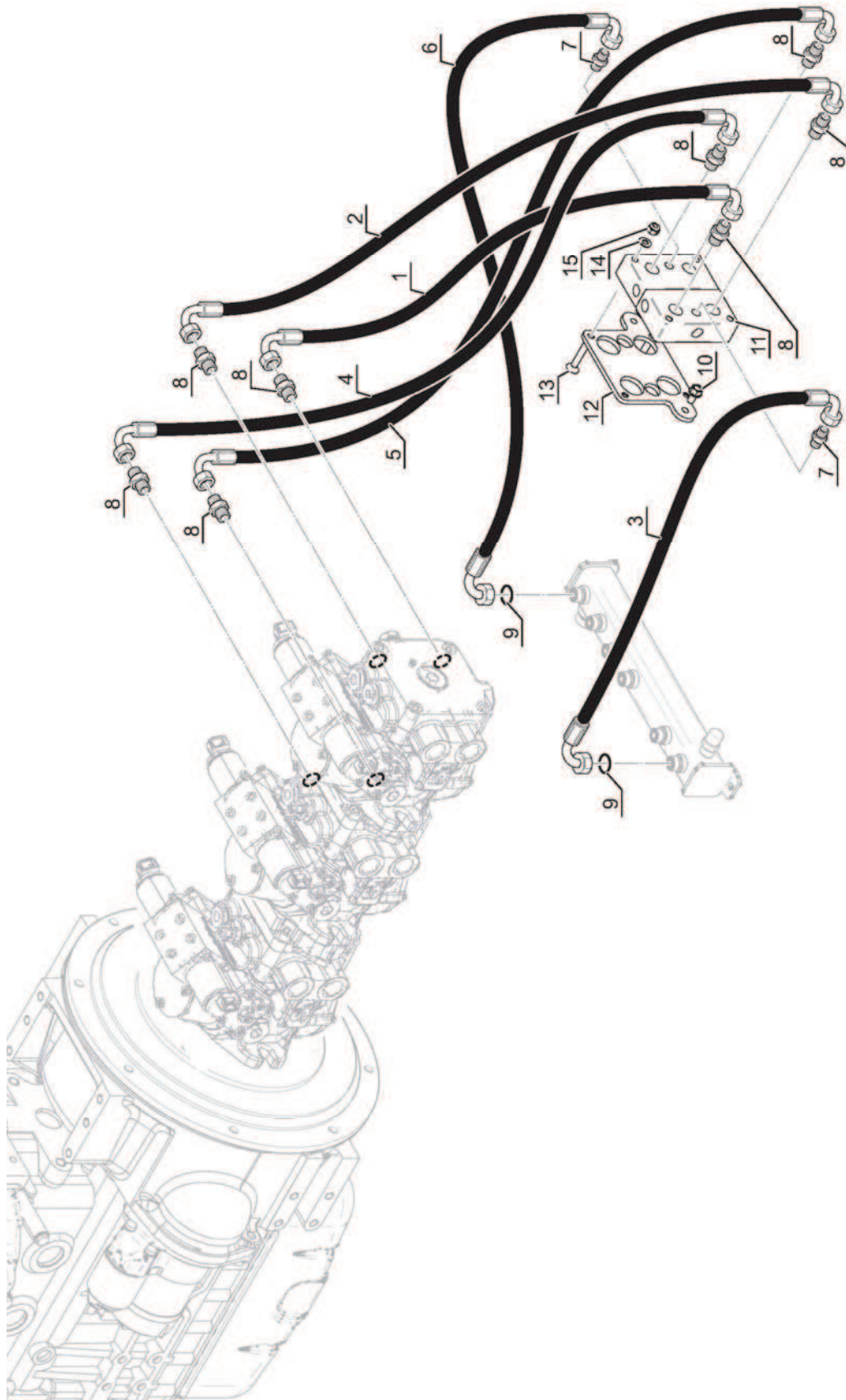
ROBOCUT (Machine Serial No. 00089 ►)

REF.	QTY.	PART No.	DESCRIPTION
			INTAKE & DRAIN PUMPS
			Machine Serial No. 00089 ►
1	1	4000533	HYDRAULIC HOSE
2	1	4000534	HYDRAULIC HOSE
3	1	4000535	HYDRAULIC HOSE
4	1	4000536	HYDRAULIC HOSE
5	1	4000537	HYDRAULIC HOSE
6	1	4000538	HYDRAULIC HOSE
7	1	4000539	HYDRAULIC HOSE
8	1	4000540	HYDRAULIC HOSE
9	1	4000541	HYDRAULIC HOSE
10	7	7315797	CONNECTOR
11	2	7315777	CONNECTOR
12	1	7315775	CONNECTOR
13	4	7315774	CONNECTOR
14	1	4000542	CONNECTOR
15	6	4000543	CYLINDRIC HEAD SCREW
16	6	4000544	SPRING WASHER
17	2	4000545	PUMP CONNECTION
18	1	4000546	CHECK COUPLING
19	2	7315769	CHECK COUPLING
20	2	4000547	HEX HEAD SCREW
21	1	4000548	O RING
22	2	4000549	O RING
23	2	4000550	O RING
24	2	4000551	VALVE BLOCK BRACKET
25	8	4000353	FLANGED HEAD SCREW
26	1	4000552	OIL MANIFOLD
27	1	4000553	VALVE BLOCK
28	2	9100204	SPRING WASHER
29	2	9100104	FLAT WASHER

CHANGE OVER VALVE CIRCUIT

ROBOCUT (Machine Serial No. ► 00073)

McCONEL



CHANGE OVER VALVE CIRCUIT**McCONNEL**

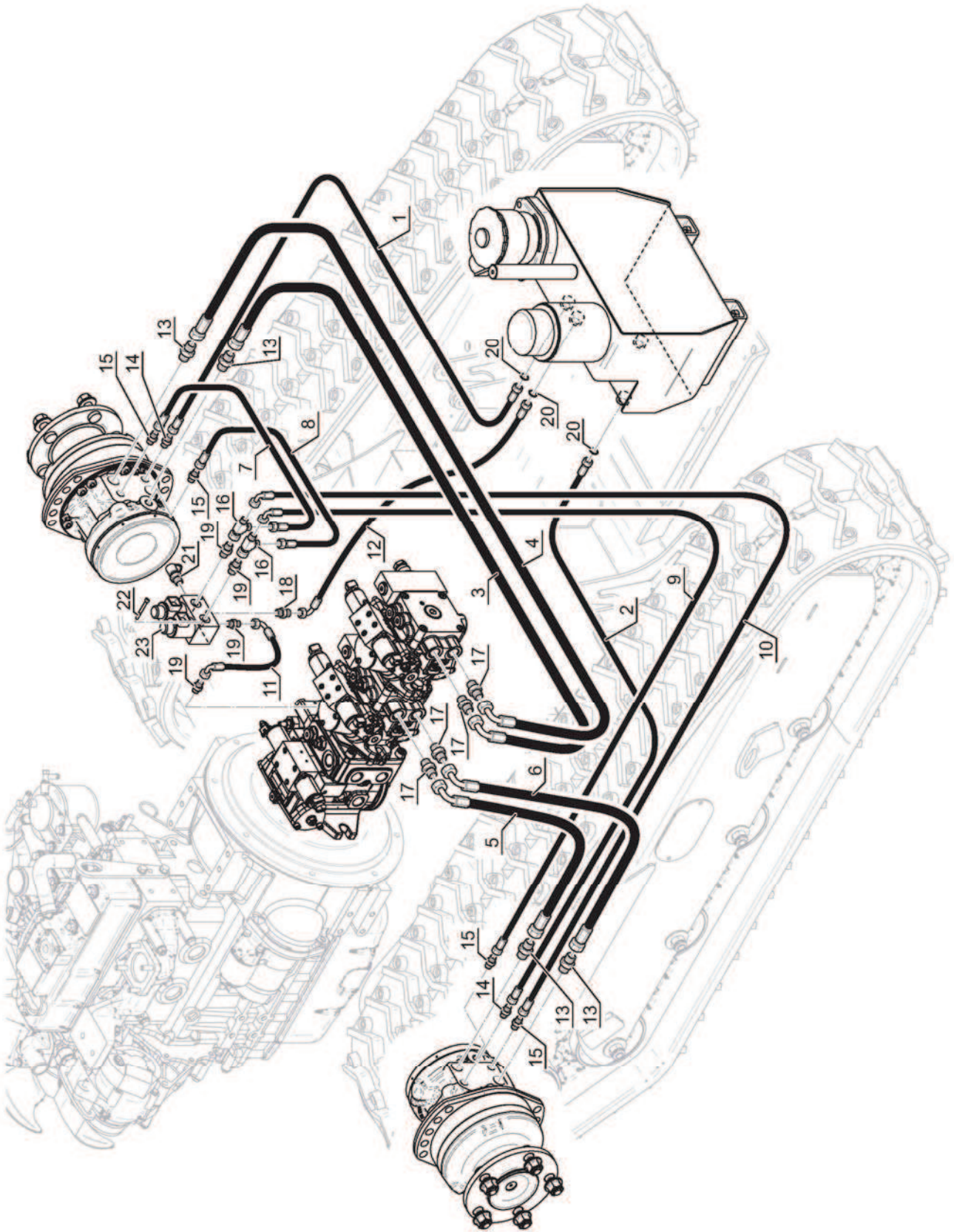
ROBOCUT (Machine Serial No. ► 00073)

REF.	QTY.	PART No.	DESCRIPTION
			CHANGE OVER VALVE CIRCUIT
			Machine Serial No. ► 00073
1	1	4000554	HYDRAULIC HOSE
2	1	4000555	HYDRAULIC HOSE
3	1	4000556	HYDRAULIC HOSE
4	1	4000557	HYDRAULIC HOSE
5	1	4000558	HYDRAULIC HOSE
6	1	4000559	HYDRAULIC HOSE
7	2	4000560	CONNECTOR
8	8	7315777	CONNECTOR
9	2	4000549	O RING
10	2	4000353	FLANGED HEAD SCREW
11	2	4000561	CHANGE OVER VALVE
12	1	4000562	VALVE PLATE
13	4	4000563	COUNTERSUNK HEAD SCREW
14	4	9100104	WASHER
15	4	9163004	LOCK NUT

TRACKS HYDRAULIC CIRCUIT

ROBOCUT (Machine Serial No. ► 00088)

McCONEL



TRACKS HYDRAULIC CIRCUIT



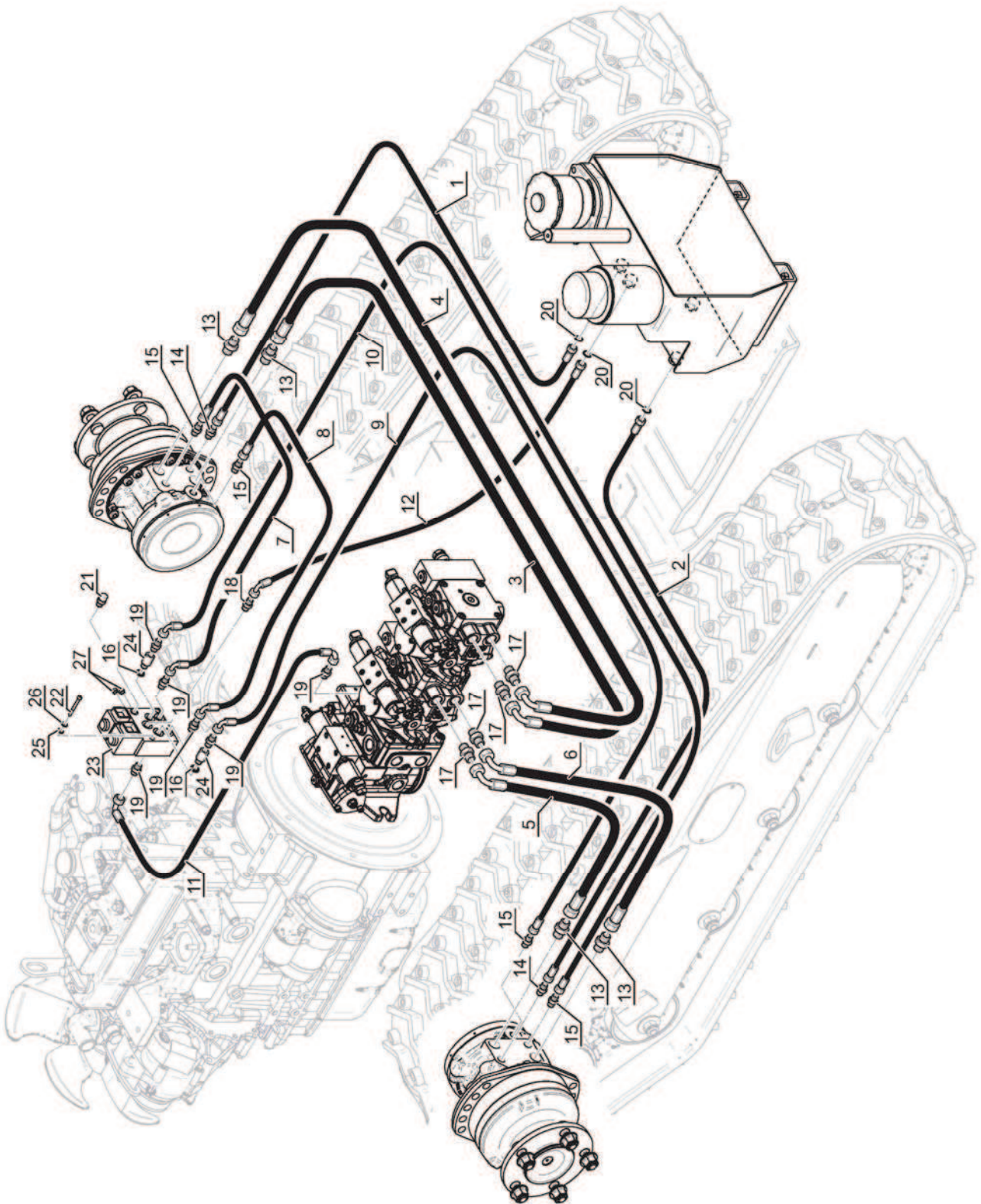
ROBOCUT (Machine Serial No. ► 00088)

REF.	QTY.	PART No.	DESCRIPTION
			TRACKS HYDRAULIC CIRCUIT
			Machine Serial No. ► 00088
1	1	4000564	HYDRAULIC HOSE
2	1	4000565	HYDRAULIC HOSE
3	1	4000566	HYDRAULIC HOSE
4	1	4000567	HYDRAULIC HOSE
5	1	4000568	HYDRAULIC HOSE
6	1	4000569	HYDRAULIC HOSE
7	1	4000570	HYDRAULIC HOSE
8	1	4000571	HYDRAULIC HOSE
9	1	4000572	HYDRAULIC HOSE
10	1	4000573	HYDRAULIC HOSE
11	1	4000574	HYDRAULIC HOSE
12	1	4000575	HYDRAULIC HOSE
13	4	4000576	CONNECTOR
14	2	4000577	CONNECTOR
15	4	4000578	CONNECTOR
16	2	4000588	TEE FITTING
17	4	7315775	CONNECTOR
18	1	4000560	CONNECTOR
19	5	4000579	CONNECTOR
20	3	4000549	O RING
21	1	4000546	CHECK COUPLING
22	2	4000069	CYLINDRIC HEAD SCREW
23	1	4000606	SPEED-BRAKE VALVE

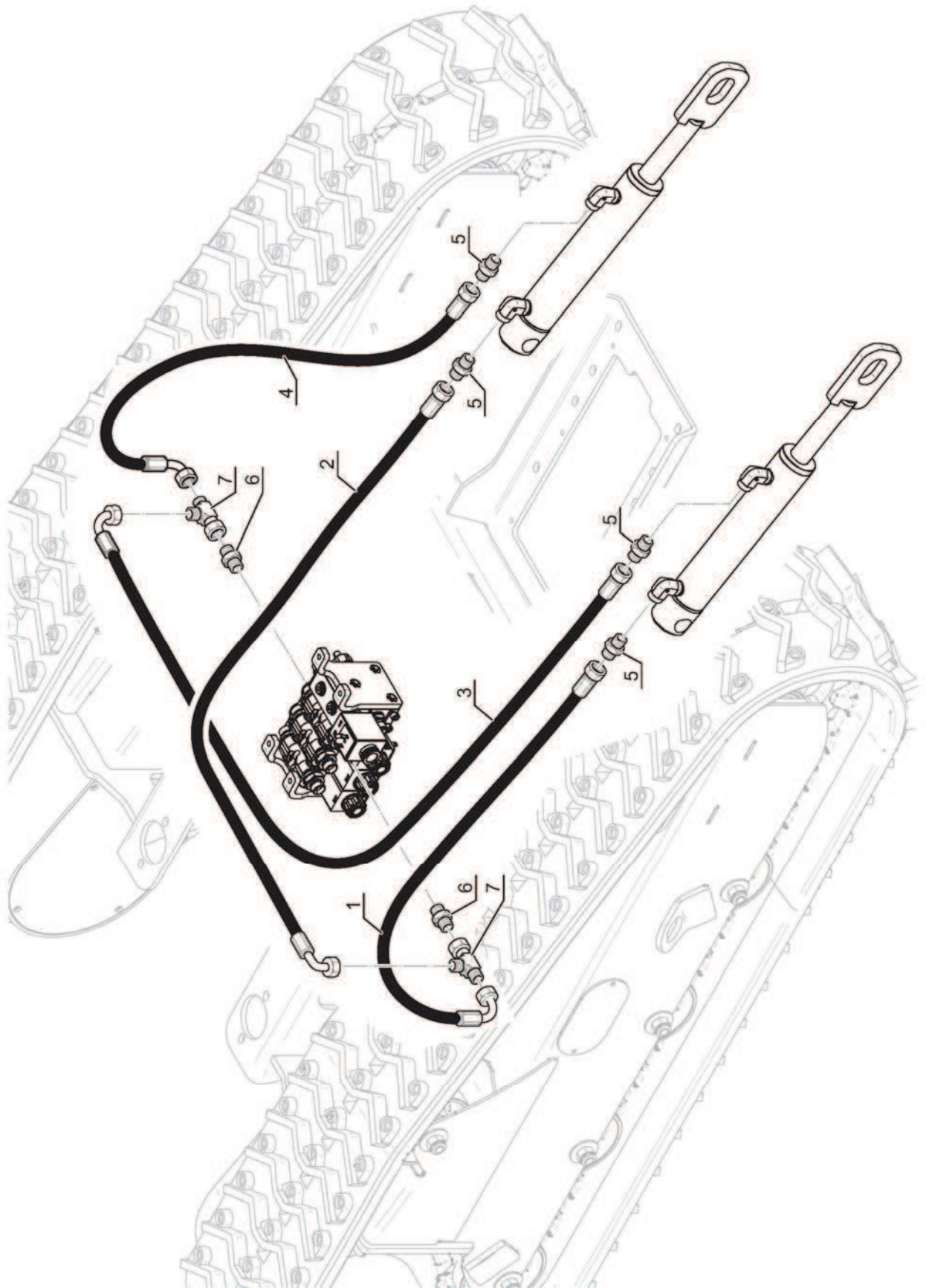
TRACKS HYDRAULIC CIRCUIT

ROBOCUT (Machine Serial No. 00089 ►)

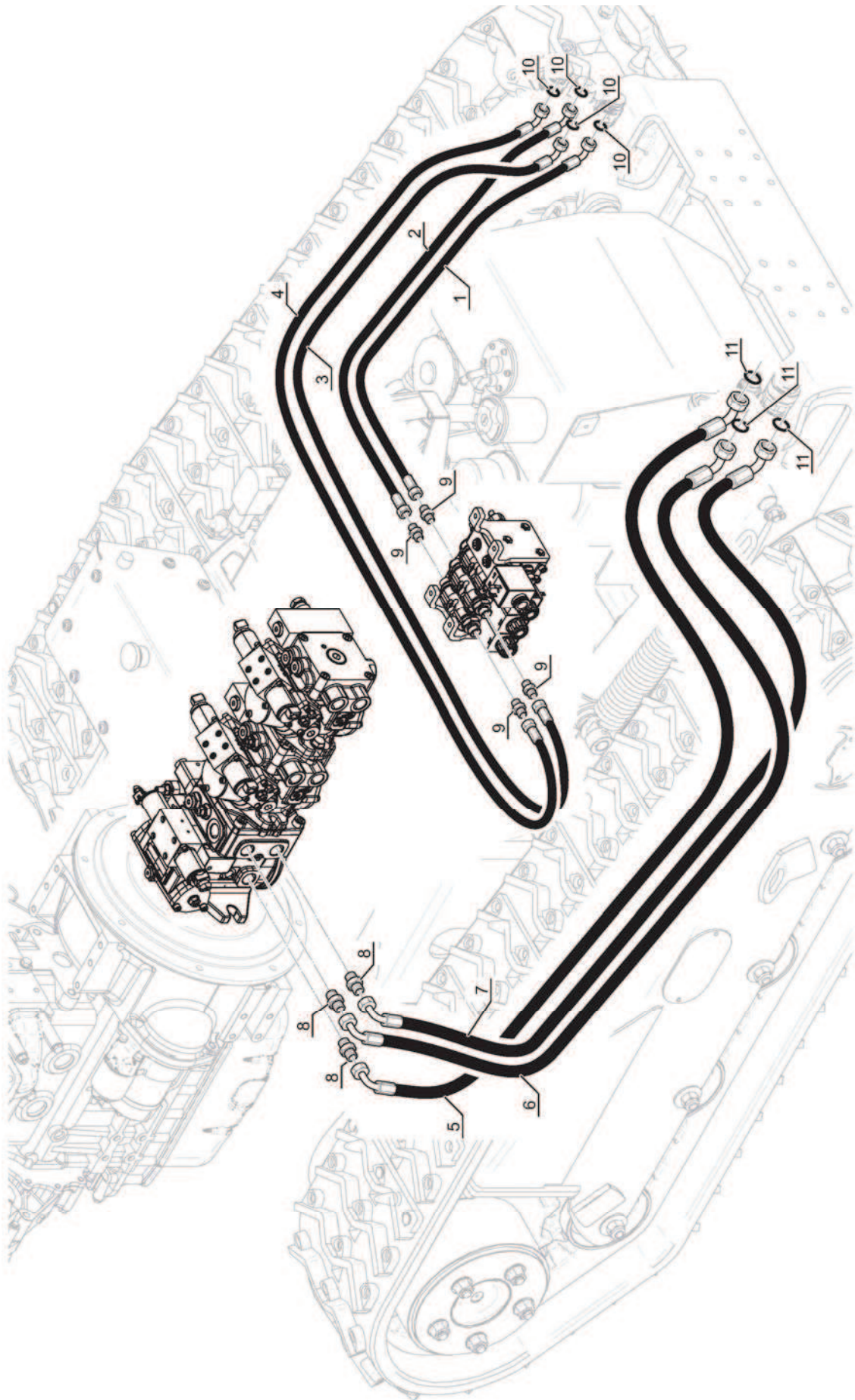
McCONEL



REF.	QTY.	PART No.	DESCRIPTION
			TRACK HYDRAULIC CIRCUIT
			Machine Serial No. 00089 ►
1	1	4000564	HYDRAULIC HOSE
2	1	4000565	HYDRAULIC HOSE
3	1	4000566	HYDRAULIC HOSE
4	1	4000567	HYDRAULIC HOSE
5	1	4000568	HYDRAULIC HOSE
6	1	4000569	HYDRAULIC HOSE
7	1	4000570	HYDRAULIC HOSE
8	1	4000571	HYDRAULIC HOSE
9	1	4000572	HYDRAULIC HOSE
10	1	4000573	HYDRAULIC HOSE
11	1	4000574	HYDRAULIC HOSE
12	1	4000575	HYDRAULIC HOSE
13	4	4000576	CONNECTOR
14	2	4000577	CONNECTOR
15	4	4000578	CONNECTOR
16	2	8650102	BONDED SEAL
17	4	7315775	CONNECTOR
18	1	4000560	CONNECTOR
19	5	4000579	CONNECTOR
20	3	4000549	O RING
21	1	4000546	CHECK COUPLING
22	2	4000580	CYLINDRIC HEAD SCREW
23	1	4000522	SPEED-BRAKE VALVE
24	1	4000581	HEXAGON SPACER
25	2	4000544	SPRING WASHER
26	2	9100103	WASHER
27	2	4000582	PLUG



REF.	QTY.	PART No.	DESCRIPTION
			HYDRAULIC RAMS CIRCUIT
1	1	4000583	HYDRAULIC HOSE
2	1	4000584	HYDRAULIC HOSE
3	1	4000585	HYDRAULIC HOSE
4	1	4000586	HYDRAULIC HOSE
5	4	4000579	CONNECTOR
6	2	4000587	CONNECTOR
7	2	4000588	TEE FITTING

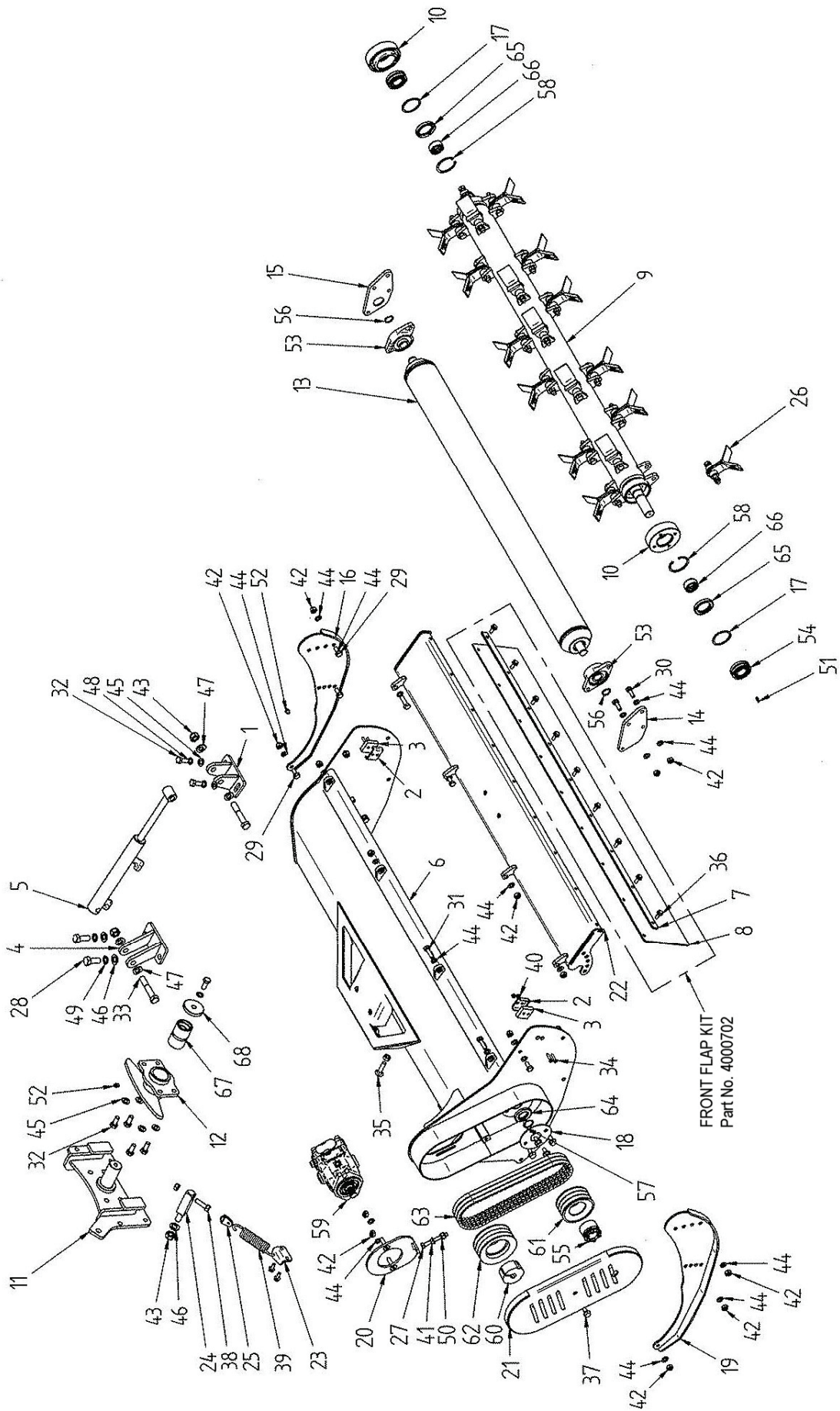


REF.	QTY.	PART No.	DESCRIPTION
			HYDRAULIC EQUIPMENT CIRCUIT
1	1	4000589	HYDRAULIC HOSE
2	1	4000590	HYDRAULIC HOSE
3	1	4000591	HYDRAULIC HOSE
4	1	4000592	HYDRAULIC HOSE
5	1	4000593	HYDRAULIC HOSE
6	1	4000594	HYDRAULIC HOSE
7	1	4000595	HYDRAULIC HOSE
8	3	7315797	CONNECTOR
9	4	4000587	CONNECTOR
10	4	4000596	O RING
11	3	4000549	O RING

FLAILHEAD ASSEMBLY

ROBOCUT

McCONEL

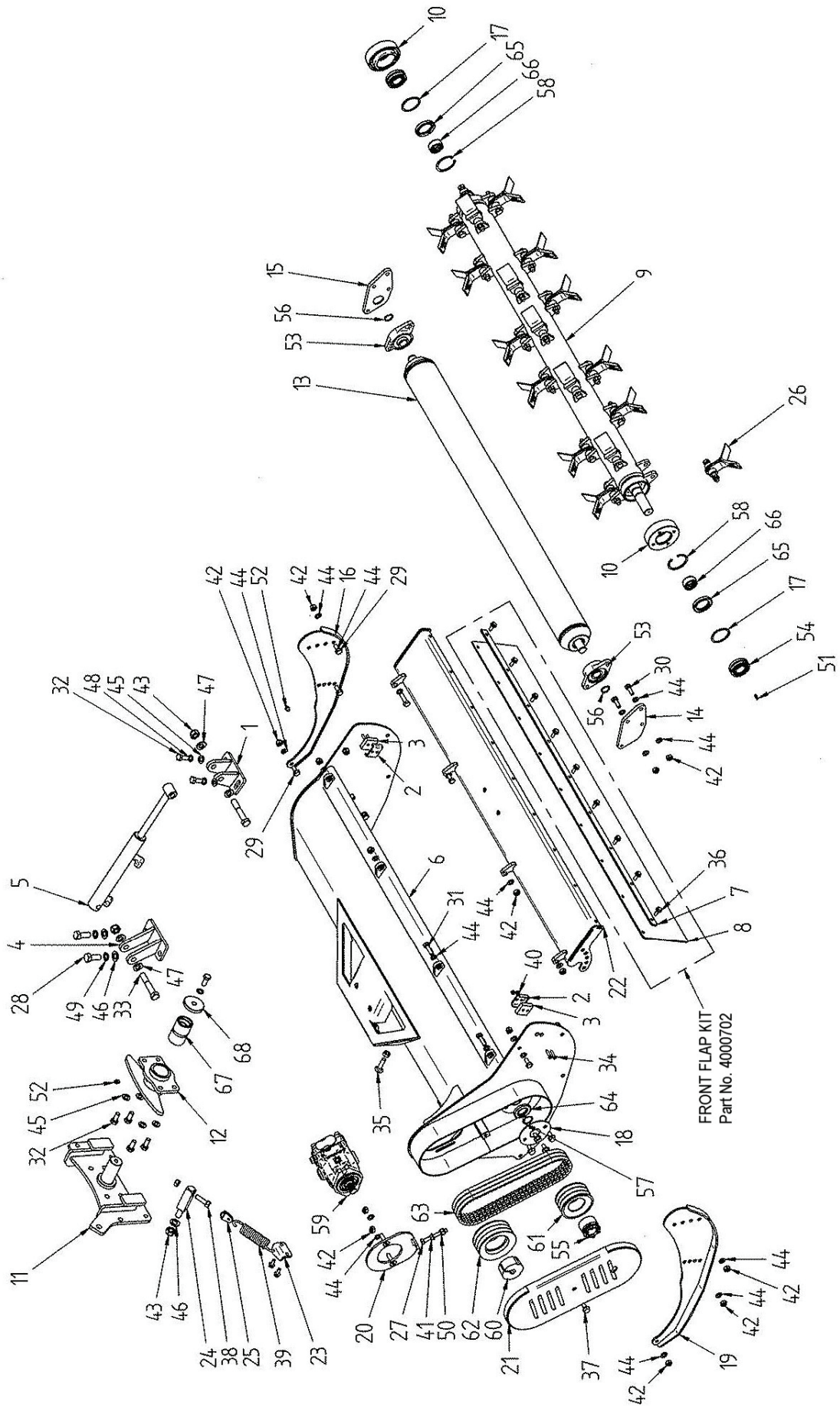


REF.	QTY.	PART No.	DESCRIPTION
			FLAILHEAD ASSEMBLY
1	1	4000182	CYLINDER FIXING STIRRUP
2	2	4000183	RUBBER SUPPORT
3	2	4000184	UPPER PROTECTION SUPPORT
4	1	4000185	RAM BRACKET
5	1	4000186	HYDRAULIC RAM
6	1	4000187	HEAD CASING (1.3m)
7	1	4000188	CLAMP STRIP
8	1	4000189	RUBBER FLAP
9	1	4000190	ROTOR (1.3m)
10	2	4000191	ROTOR BEARING SUPPORT
11	1	4000192	HEAD PIVOT BRACKET
12	1	4000193	PIVOT JOINT
13	1	4000194	ROLLER
14	1	4000195	ROLLER BRACKET - R/H
15	1	4000196	ROLLER BRACKET - L/H
16	1	4000197	LEFT SKID
17	2	4000198	WASHER
18	1	4000199	PLATE
19	1	4000200	RIGHT SKID
20	1	4000201	MOTOR MOUNTING PLATE
21	1	4000202	BELT COVER
22	1	4000203	FRONT HOOD
23	1	4000204	SPRING BRACKET
24	1	4000205	SPRING TENSIONER FIXING
25	1	4000206	SPRING TENSIONER
26	1	4000255	Y-FLAILS KIT (SINGLE STATION)
	1	4000268	Y-FLAILS KIT (22 STATION)
27	1	4000208	SCREW
28	1	4000252	SCREW
29	2	4000209	SCREW
30	1	4000210	SCREW
31	1	4000211	SCREW
32	2	4000212	SCREW
33	1	4000213	SCREW
34	1	4000214	SCREW
35	1	4000215	SCREW
36	1	4000216	SCREW
37	1	4000217	SCREW
38	1	4000218	NUT
39	1	4000219	TENSIONING SPRING
40	1	9163003	LOCK NUT
41	1	4000220	FLANGED NUT
42	8	9163005	LOCK NUT

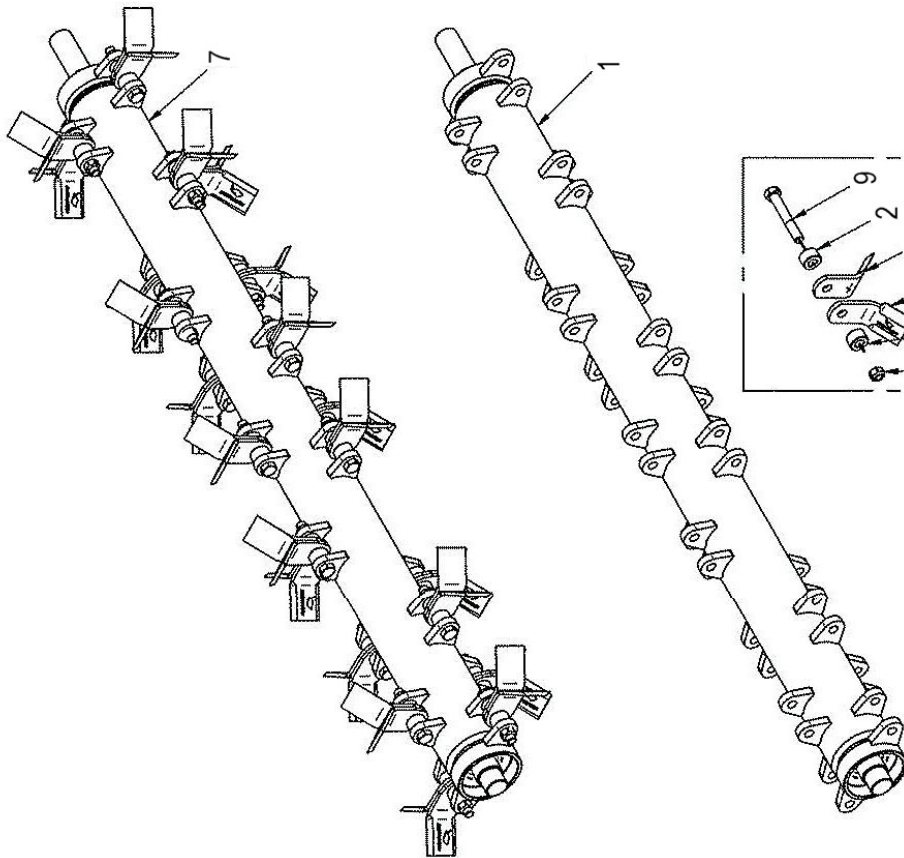
FLAILHEAD ASSEMBLY

McCONEL

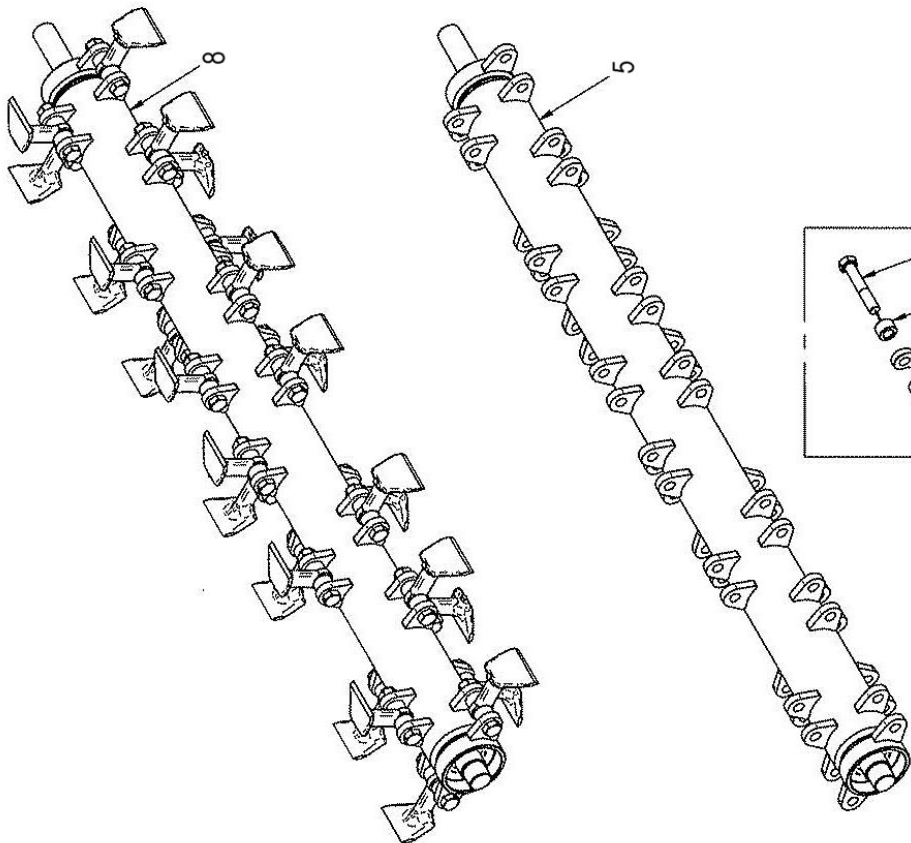
ROBOCUT



REF.	QTY.	PART No.	DESCRIPTION
			FLAILHEAD ASSEMBLY
43	2	4000221	LOCK NUT
44	11	9100105	WASHER
45	2	9100106	WASHER
46	2	4000253	WASHER
47	2	4000222	WASHER
48	1	9100206	SPRING WASHER
49	1	4000254	WASHER
50	1	9100105	WASHER
51	1	4000223	GREASER
52	2	4000224	GREASER
53	2	4000225	BEARING
54	1	4000226	ROLLER BEARING
55	1	4000227	TAPERLOCK BUSH
56	2	4000023	CIRCLIP
57	1	4000228	RETAINING RING
58	2	4000024	CIRCLIP
59	1	4000229	MOTOR
60	1	4000230	CONICAL BUSH
61	1	4000231	PULLEY
62	1	4000232	PULLEY
63	3	4000233	TRAPEZOIDAL TOOTHED BELT
64	1	4000234	OILSEAL
65	2	4000235	OIL SEAL
66	2	4000236	GUIDE FOR OIL SEAL
67	1	4000237	BUSH
68	1	4000238	WASHER



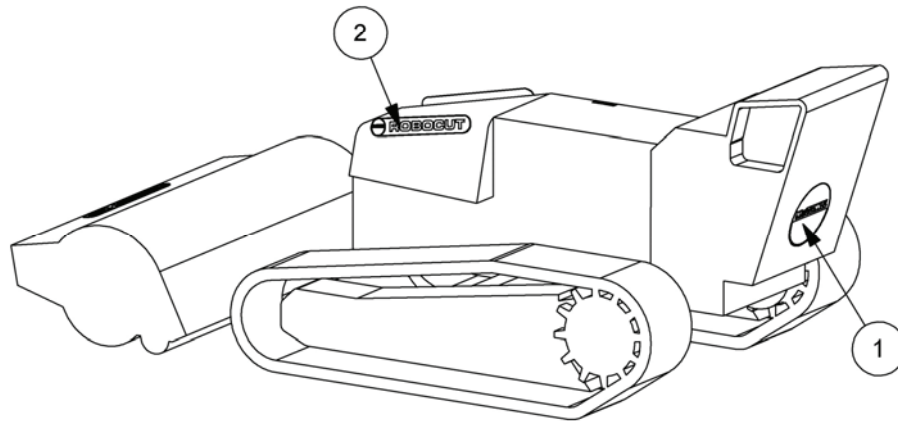
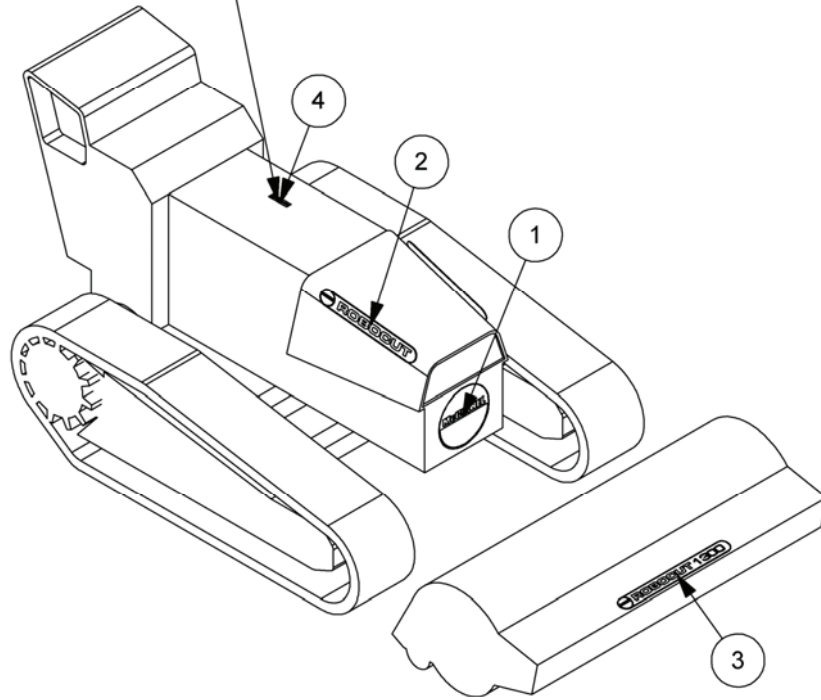
Part No. 4000255
Y-FLAILS KIT (6mm)
(Single Station)



Part No. 4000256
HAMMER FLAIL KIT
(Single Station)

REF.	QTY.	PART No.	DESCRIPTION
ROTORS & FLAILS ASSEMBLY			
1	1	4000190	1.3M ROTOR (Y-FLAILS TYPE)
2	2	4000241	STEEL BUSHING
3	2	4000242	Y-FLAIL (6mm)
4	1	4000243	HAMMER FLAIL
5	1	4000244	1.3M ROTOR (HAMMER FLAIL TYPE)
6	2	4000245	BUSHING
7	1	4000703	1.3M ROTOR C/W Y-FLAILS
8	1	4000704	1.3M ROTOR C/W HAMMER FLAILS
9	2	4000246	SCREW
10	1	4000247	SCREW
11	2	4000248	AUTOGRIP NUT
12	1	4000249	AUTOGRIP NUT
SINGLE STATION FLAIL KITS			
	1	4000255	Y-FLAILS KIT (6mm Flail)
	1	4000256	HAMMER FLAIL KIT
22 STATION FLAIL KIT			
	1	4000268	Y-FLAILS KIT (6mm Flail)

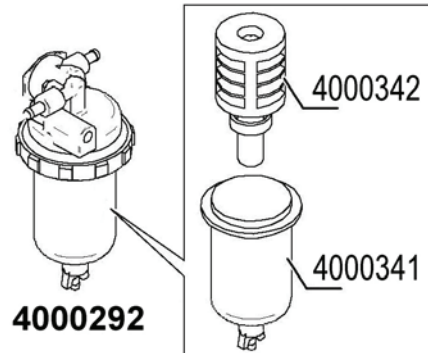
ROBOCUT
OVERLAY FOR
CONTROL BOX



REF.	QTY.	PART No.	DESCRIPTION
		4000700	ROBOCUT DECAL KIT
1	2	1290829	DECAL - MCCONNELL ROUNDEL
2	2	1290954	DECAL - ROBOCUT
3	1	1290955	DECAL - ROBOCUT 1300
4	1	1290956	DECAL - ROBOCUT (OVERLAY)



FUEL FILTER
(Part No. 4000105)



PRIMARY FUEL FILTER



OIL FILTER
(Part No. 4000257)



Fitted to Early Models
HYDRAULIC OIL FILTER CARTRIDGE (Part No. 4000258)

Fitted to Later Models
HYDRAULIC OIL FILTER CARTRIDGE (Part No. 4000259)



PRIMARY AIR FILTER CARTRIDGE (Part No. 4000260)



SECURITY AIR FILTER CARTRIDGE (Part No. 4000261)



McConnel Limited, Temeside Works, Ludlow, Shropshire SY8 1JL. England.
Telephone: 01584 873131. Facsimile: 01584 876463. www.mcconnel.com