

PARTS LIST

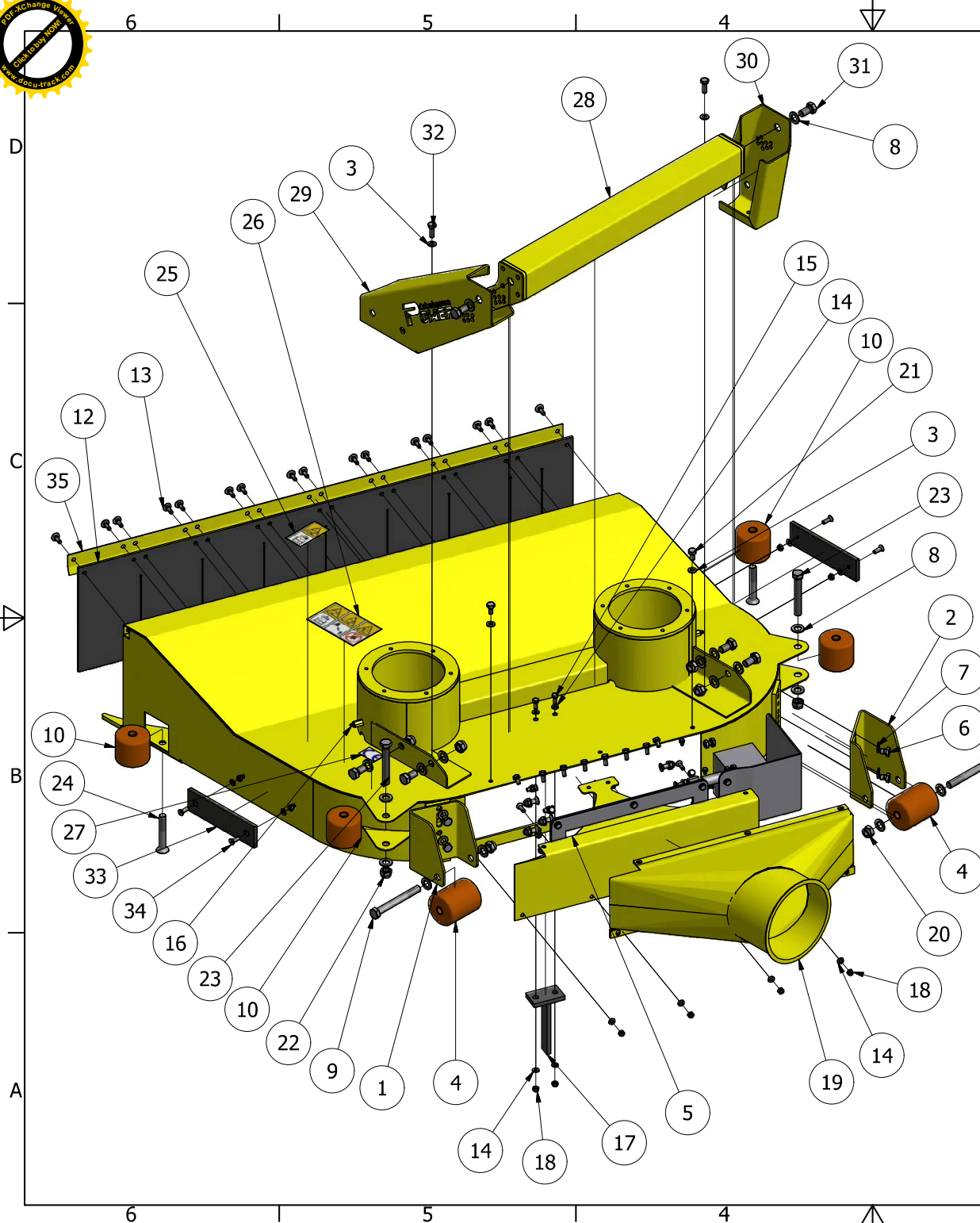
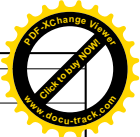
ITEM	QTY	PART NUMBER	DESCRIPTION
1	1	RM1250PRO-EV1	SUB ASSEMBLY RM1250PRO
2	1	RM1250PRO-EV2	ROTOR ASSEMBLY LEFT RM1250RPO
3	1	RM1250PRO-EV3	ROTOR ASSEMBLY RIGHT RM1250PRO
4	2	RM1250PRO-EV4	MOTOR ASSEMBLY RM1250PRO

Designed by JB	Checked by RB	Approved by DK	Date -	Date 18-04-2019
-------------------	------------------	-------------------	-----------	--------------------



jj dabekausen bv

ASSEMBLY RM1250PRO		
RM1250PRO-EV0	Edition 0	Sheet 1 / 1



PARTS LIST

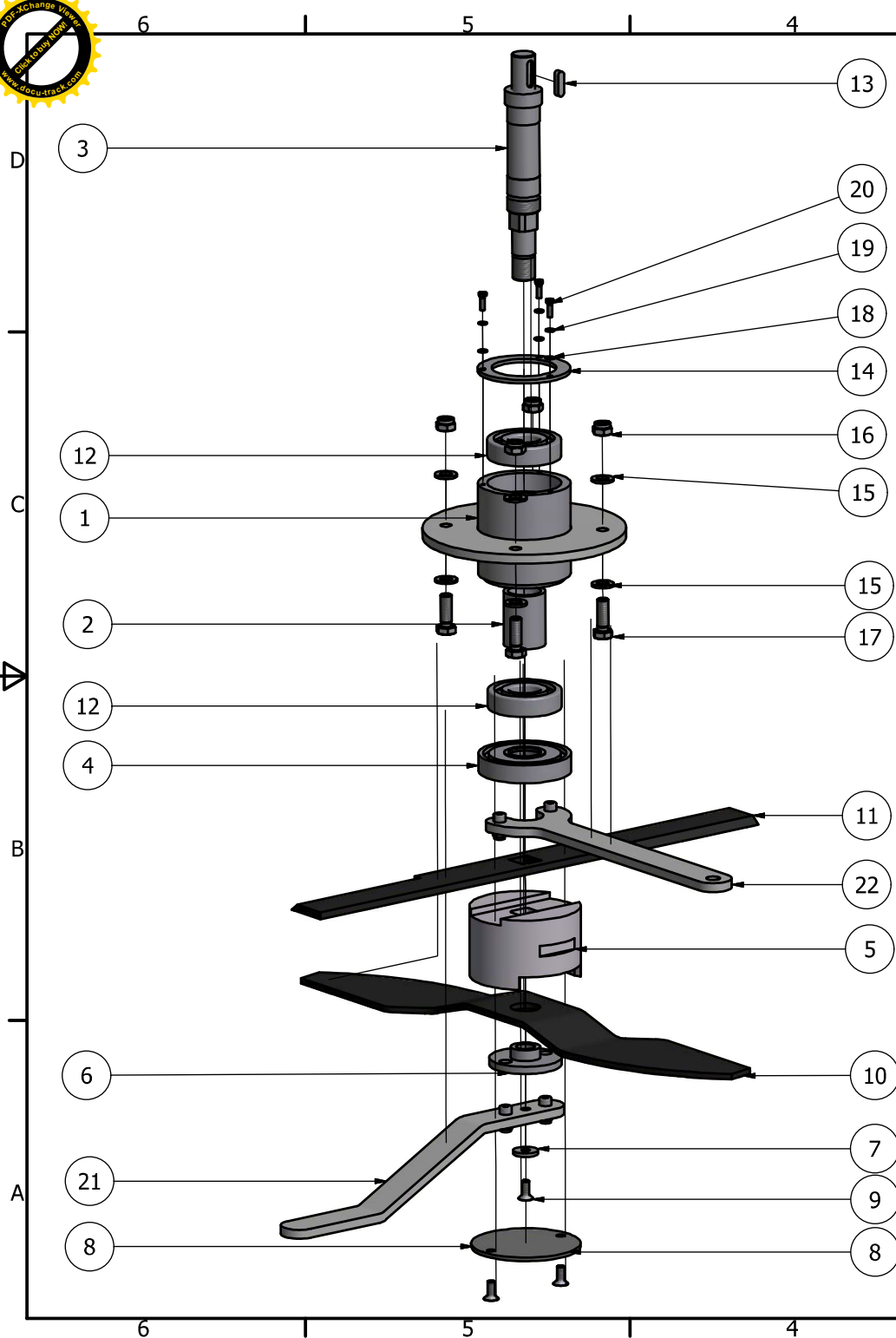
ITEM	QTY	PART NUMBER	DESCRIPTION
1	1	59.0007.01	BRACKET SUPPORT ROLL
2	1	59.0007.02	BRACKET SUPPORT ROLL 100 RIGHT
3	14	DIN 125 - A 8,4	Washer
4	2	59.0082.01	SUPPORT ROLL DIA 82 L100
5	1	59.0010.01	COVER
6	6	DIN 933 - M8 x 20	Hex-Head Bolt
7	4	DIN 125 - A 10,5	Washer
8	12	DIN 125 - A 17	Washer
9	2	DIN 931-1 - M16 x 140	Hex-Head Bolt
10	3	59.7501.01	SUPPORT ROLL DIA 82 L75MM
11	3	7991820 - M8 X 20	Countersunk Screw
12	2	RM1250PROMKIIIIFL	PROTECTION FLAP
13	16	DIN 603 - M8 x 25	Cup Head Square Neck Bolt
14	4	125A12	Washer
15	4	DIN 933 - M12 x 35	Hex-Head Bolt
16	2	DIN 71412 - AM8 x 1 coned short	Lubricating Nipple, coned Type A
17	1	59.0011.01	CONTRA KNIFE BLADE
18	25	DIN 985 - M12	Hex Nut
19	1	59.0012.01	SUCTION HEAD
20	6	DIN 985 - M8	Hex Nut
21	3	DIN 933 - M10 x 20	Hex-Head Bolt
22	4	DIN 985 - M8	Hex Nut
23	2	DIN 933 - M16 x 120	Hex-Head Bolt
24	1	DIN 7991 - M16x100	Countersunk Screw
25	1	09.821.29	WARNING STICKER 1
26	1	09.821.30	WARNING STICKER 2
27	1	59.0013.01	CE STICKER
28	1	59.0028.01	Aankoppelframe met koker
29	1	59.0029.01	Aankoppelframe met strip
30	1	59.0030.01	Aankoppelframe klein met strip
31	1	DIN 933 - M16 x 30	Hex Nut
32	1	DIN 933 - M10 x 30	Hex Nut
33	1	59.0031.01	Glijplaat kunststof RM1250PRO
34	1	DIN 7991 - M8 x 20	Countersunk head
35	1	59.3500.01	Montagestrip protection flap

Designed by JB	Checked by RB	Approved by	Date -	Date 18-04-2019
-------------------	------------------	-------------	-----------	--------------------



SUB ASSEMBLY RM1250PRO	
RM1250PRO-EV1	Sheet 1 / 1

Edition 1	Sheet 1 / 1
--------------	----------------




REVISION HISTORY			
REV	DESCRIPTION	DATE	APPROVED
1	ART. NR. CHANGED	24-5-2011	DK
2	ART. NR. POS 10 CHANGED	24-5-2011	DK
3	ART. NR. 14,18,19,20 ADDED	27-8-2014	VH

***10 1 59.2018.33 Fine cut mes**

PARTS LIST			
ITEM	QTY	PART NUMBER	DESCRIPTION
1	1	59.0004.01	BEARING HOUSING
2	1	59.0002.01	SPACER BEARINGS
3	1	59.0001.02	SHAFT ROTOR RM1250pro
4	1	59.0035.01	LOCKNUT TOP M35
5	1	59.0003.01	CLAMP KNIFE BLADE
6	1	59.0024.01	LOCK NUT M24
7	1	59.0008.01	RETAINER RING M8
8	1	59.005.01	Borgplaat onderkant messen
9	3	7991820	Countersunk Screw
10	1	59.2018.29	KNIFE BLADE BOTTOM LEFT
11	1	59.2018.27	ROTOR BLADE TOP LEFT
12	2	59.6307.01	Deep groove ball bearings single row with two Z shields
13	1	59.0471.01	Parallel Key
14	1	59.6307.02	LOCKING PLATE BEARING
15	8	125A12	Washer
16	4	98512	Hex Nut
17	4	9331235	Hex-Head Bolt
18	3	125A5	Washer
19	3	127B5	Spring Washer
20	3	933516	Hex-Head Bolt
21	1	59.0014.01	WRENCH LOCK NUT BLADES
22	1	59.0015.01	WRENCH TOP LOCK NUT
23	1	T110323	

Designed by JB	Checked by RB	Approved by DK	Date -	Date 18-04-2019
-------------------	------------------	-------------------	-----------	--------------------

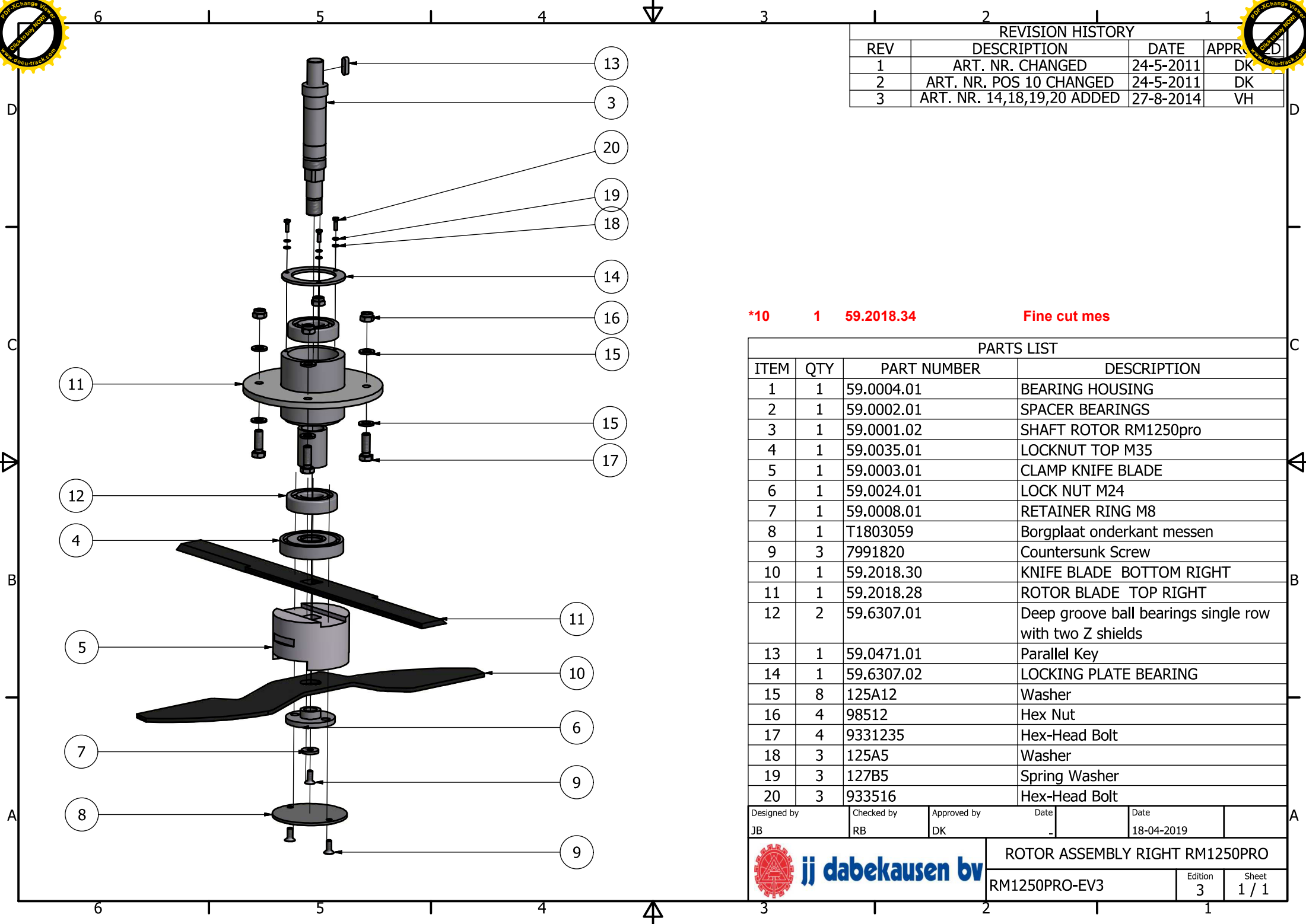

jj dabekausen bv

ROTOR ASSEMBLY LEFT RM1250PRO
 RM1250PRO-EV2

Edition 3 Sheet 1 / 1



REVISION HISTORY			
REV	DESCRIPTION	DATE	APPR.
1	ART. NR. CHANGED	24-5-2011	DK
2	ART. NR. POS 10 CHANGED	24-5-2011	DK
3	ART. NR. 14,18,19,20 ADDED	27-8-2014	VH

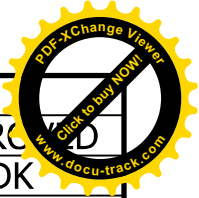
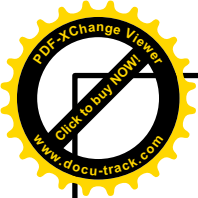


***10 1 59.2018.34 Fine cut mes**

PARTS LIST			
ITEM	QTY	PART NUMBER	DESCRIPTION
1	1	59.0004.01	BEARING HOUSING
2	1	59.0002.01	SPACER BEARINGS
3	1	59.0001.02	SHAFT ROTOR RM1250pro
4	1	59.0035.01	LOCKNUT TOP M35
5	1	59.0003.01	CLAMP KNIFE BLADE
6	1	59.0024.01	LOCK NUT M24
7	1	59.0008.01	RETAINER RING M8
8	1	T1803059	Borgplaat onderkant messen
9	3	7991820	Countersunk Screw
10	1	59.2018.30	KNIFE BLADE BOTTOM RIGHT
11	1	59.2018.28	ROTOR BLADE TOP RIGHT
12	2	59.6307.01	Deep groove ball bearings single row with two Z shields
13	1	59.0471.01	Parallel Key
14	1	59.6307.02	LOCKING PLATE BEARING
15	8	125A12	Washer
16	4	98512	Hex Nut
17	4	9331235	Hex-Head Bolt
18	3	125A5	Washer
19	3	127B5	Spring Washer
20	3	933516	Hex-Head Bolt

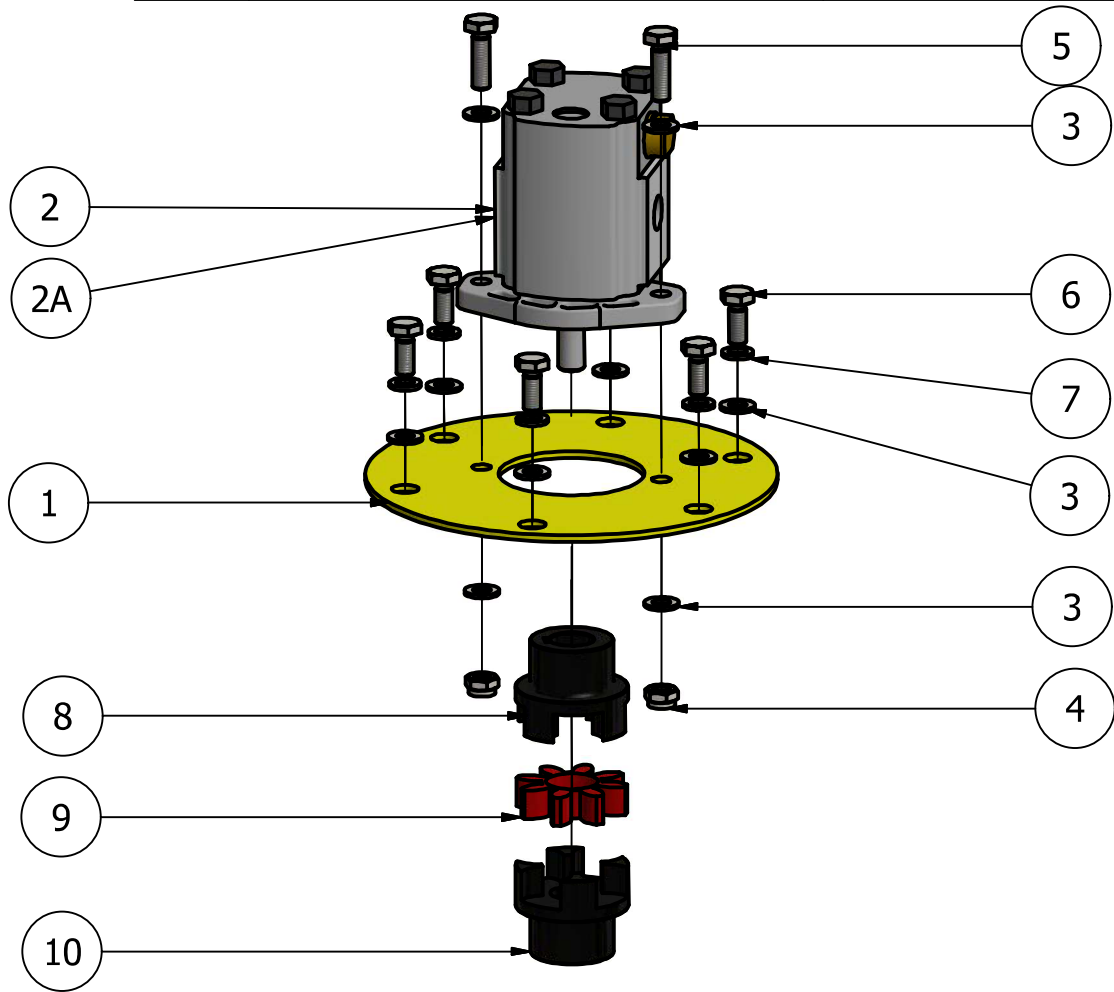
Designed by JB	Checked by RB	Approved by DK	Date -	Date 18-04-2019
-------------------	------------------	-------------------	-----------	--------------------

	ROTOR ASSEMBLY RIGHT RM1250PRO		
	RM1250PRO-EV3	Edition 3	Sheet 1 / 1



REVISION HISTORY

REV	DESCRIPTION	DATE	APPROVED
1	ART. NR. CHANGED	24-5-2011	DK
2	POS. 2A ADDED	24-5-2011	DK
3	HYDR. MOTORS CHANGED	4-5-2013	DK
4	POS. 8 CHANGED	27-8-2014	VH



PARTS LIST

ITEM	QTY	PART NUMBER	DESCRIPTION
1	1	59.0006.01	Motorflens RM1250PRO-2
2	1	59.2137.01	HYDRAULIC MOTOR CW
2A	1	59.1229.01	HYDRAULIC MOTOR ACW
3	10	DIN 125 - A 10,5	Washer
4	2	98510	Hex Nut
5	2	9331035	Hex-Head Bolt
6	6	9331025	Hex-Head Bolt
7	6	127A10	Spring Washer
8	1	59.0157.01	Coupling Motor
9	1	59.0005.01 B	Coupling Star
10	1	59.0005.01 A	Coupling Rotor

Designed by JB	Checked by RJ	Approved by DK	Date -	Date 18-04-2019
-------------------	------------------	-------------------	-----------	--------------------



jj dabekausen bv

MOTOR ASSEMBLY RM1250PRO

RM1250PRO-EV4

Edition
4

Sheet
1 / 1