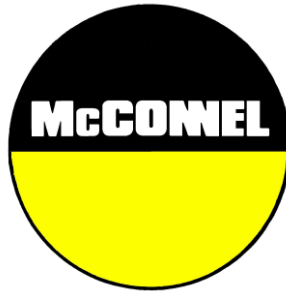


Parts Manual for
WGC No: 7434957
PA3430 RHFM MINI MOTION



All parts are not created equal and before you settle on an imitation part, know this - McConnel Genuine Parts offer the safety, durability and warranty protection you expect. You've made an investment in your equipment; now invest in its future.

- We design and build to exact specifications requiring strict chemical strength and performance characteristics. (Never reverse engineered like imitation parts).
- McConnel Genuine Parts meet the rigid guidelines necessary to satisfy warranty requirements.
- Our parts experts are available to answer any questions and have first-hand knowledge of all equipment.
- McConnel Genuine Parts are tested to meet all safety standards.
- McConnel parts have a 6 month warranty when fitted by an authorised Dealer.

McCONEL LIMITED

For parts supply contact your local Dealer or Stockist

To help them help you, always quote:

- ***Machine Type***
- ***Serial Number***
- ***Part Number***

Design improvements may alter some of the parts listed in this manual – the latest part will always be supplied when it is interchangeable with an earlier one.

McCONNEL PARTS DEPARTMENT

Telephone: +44 (0)1584 873131 **Fax:** +44 (0)1584 872223
Direct Parts Line: +44 (0)1584 876888 **Email:** parts@mcconnel.com

CONTENTS

| Page No | Schedule No | Schedule Description |
|---------|-------------|--------------------------------|
| 1 | 22674.51 | PA3430 + PA4330 OPERATOR |
| 3 | 7313282 | CAB CTRL MTG MOD |
| 5 | 7313324 | GUARD KIT |
| 7 | 7434401 | DECAL KIT FRONT MNTG |
| 9 | 7434500 | MAIN FRAME MODULE |
| 11 | 7434502 | TANK MODULE LH |
| 13 | 8401168 | FILTER |
| 15 | 7434511 | ANGLING GEAR |
| 17 | 7434514 | ROCKER MODULE |
| 19 | 7434516 | MAIN ARM MODULE |
| 21 | 743452270 | HOSE KIT PA3430 RHFM TI REV A |
| 23 | 7434525 | DIPPER MODULE |
| 25 | 7434533 | MODULE DIPPER RH |
| 27 | 7434540 | TANK FITTINGS |
| 29 | 7434541 | PUMP & GEARBOX |
| 31 | 8201466 | PUMP |
| 33 | 7434557 | ACV ASSY |
| 35 | 22525.57 | SOLENOID |
| 37 | 22523.20 | MANIFOLD ASSY |
| 39 | 22524.48 | ADAPTOR KIT |
| 41 | 7434576 | PACKING KIT |
| 43 | 7434578 | ROTOR VALVE LH ELEC ON-OFF PA3 |
| 45 | 7434580 | BASIC STICKER KIT |
| 47 | 7434627 | STABILIZER KIT |
| 49 | 7434673 | GUARD MODULE |
| 51 | 7434723 | PA3430 HYD INST TI RHFM |
| 53 | 41014.12 | RAM |
| 55 | 41015.03 | RAM ASSY |
| 57 | 41322.02 | RAM |
| 59 | 7191295 | RAM |
| 61 | 8402919 | MINI XTC KIT |
| 63* | 8126376 | LIFT FLOAT KIT-PA3430/4330 BSP |

* optional component

Publication 651
July 2010
Part No. 22674.51

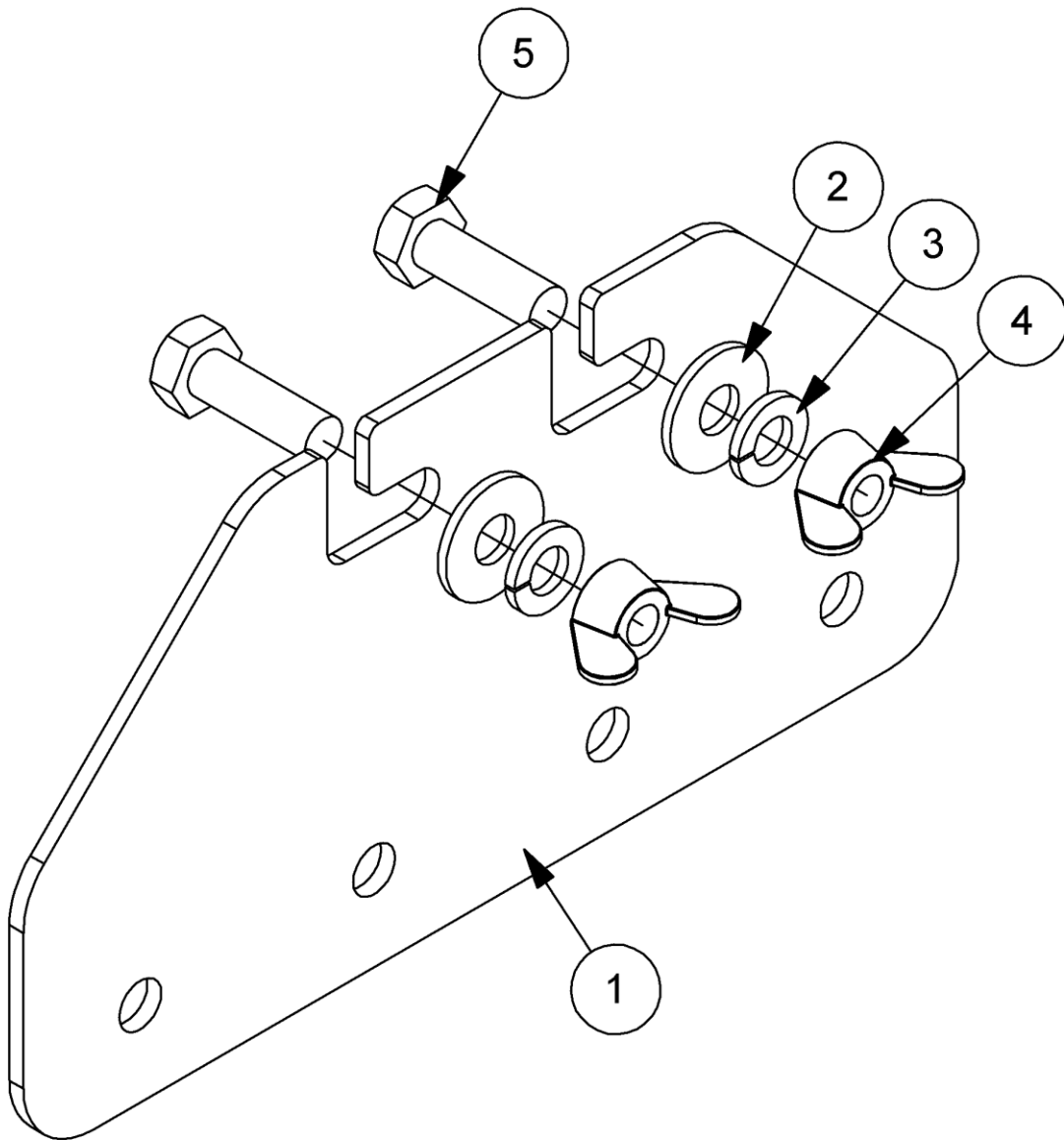


McCONNEL

PA3430 / PA4330 Series COMPACT TRIMMER / MOWER

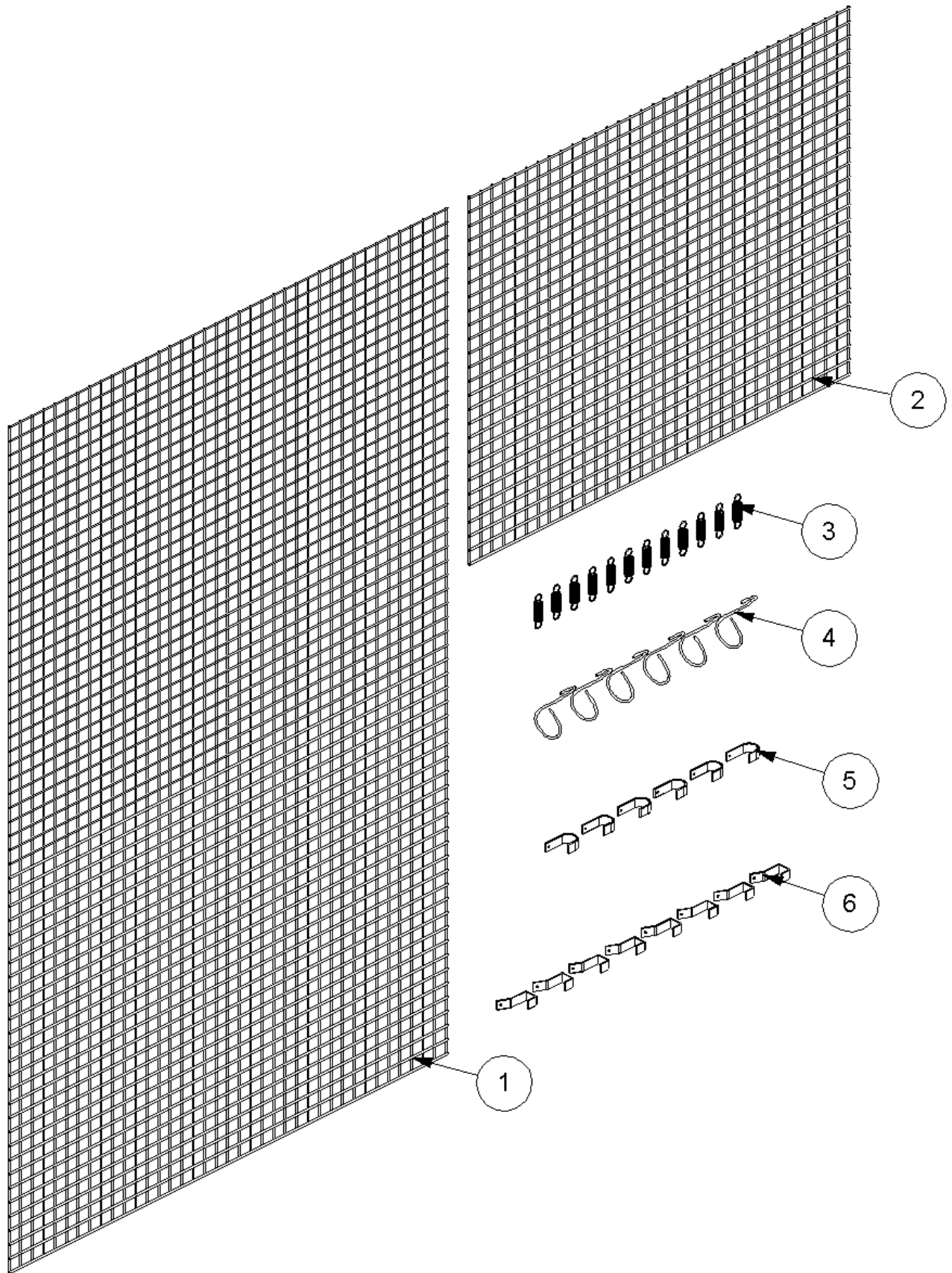
Operator Manual





7313282 B - CAB CTRL MTG MOD

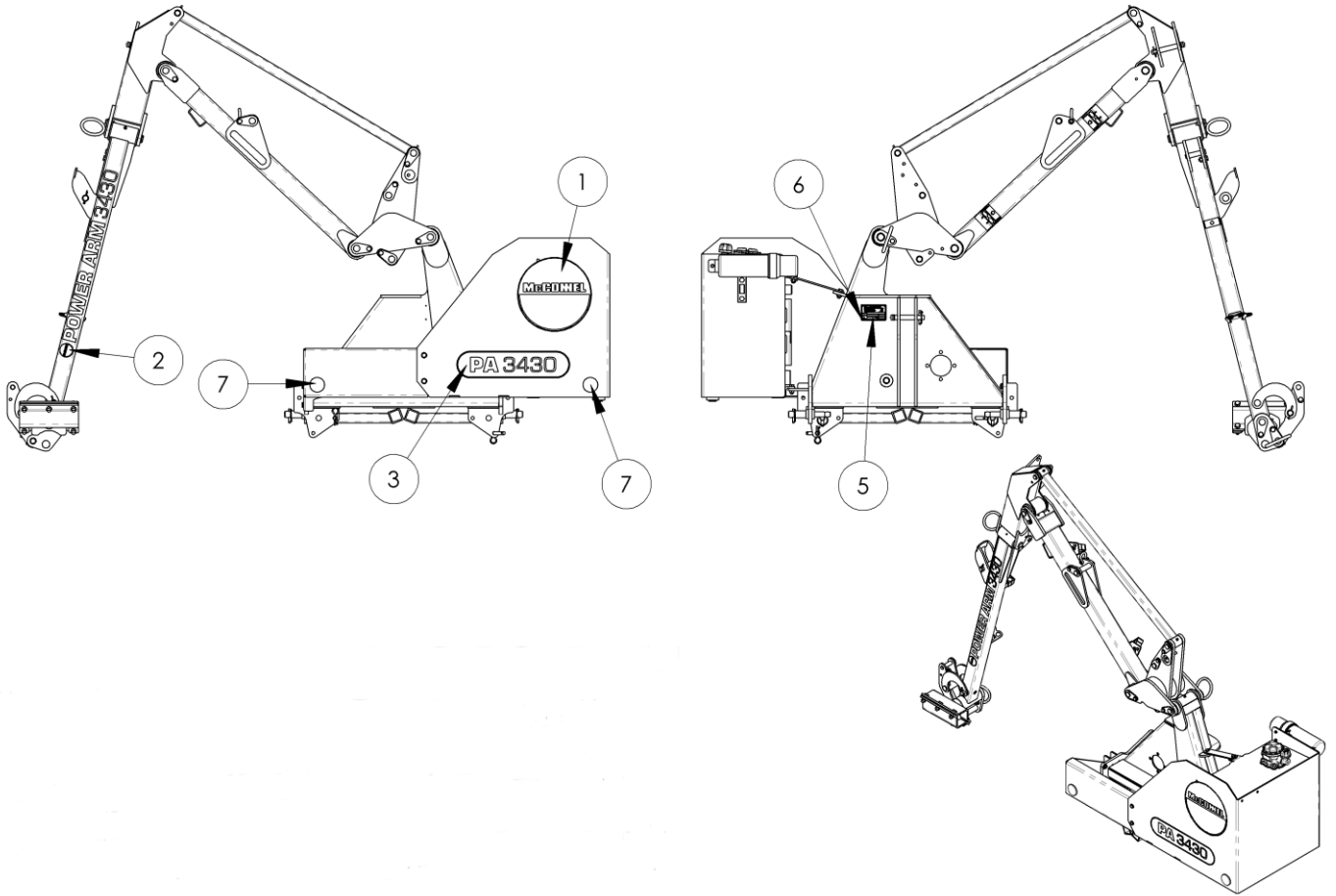
| Ref | Part No | Description | Qty |
|-----|----------|-------------|-----|
| 1 | 42491.01 | PLATE | 1 |
| 2 | 9100104 | WASHER | 2 |
| 3 | 9100204 | WASHER | 2 |
| 4 | 9193004 | NUT | 2 |
| 5 | 9313054 | SCREW | 2 |



7313324 D - GUARD KIT

| Ref | Part No | Description | Qty |
|-----|----------|-------------|-----|
| 1 | 7313049 | GUARD PANEL | 1 |
| 2 | 7313050 | GUARD PANEL | 1 |
| 3 | 6001064 | SPRING | 12 |
| 4 | 6001065 | HOOK | 6 |
| 5 | 41587.01 | GUARD HOOK | 6 |
| 6 | 41745.01 | HOOK | 8 |

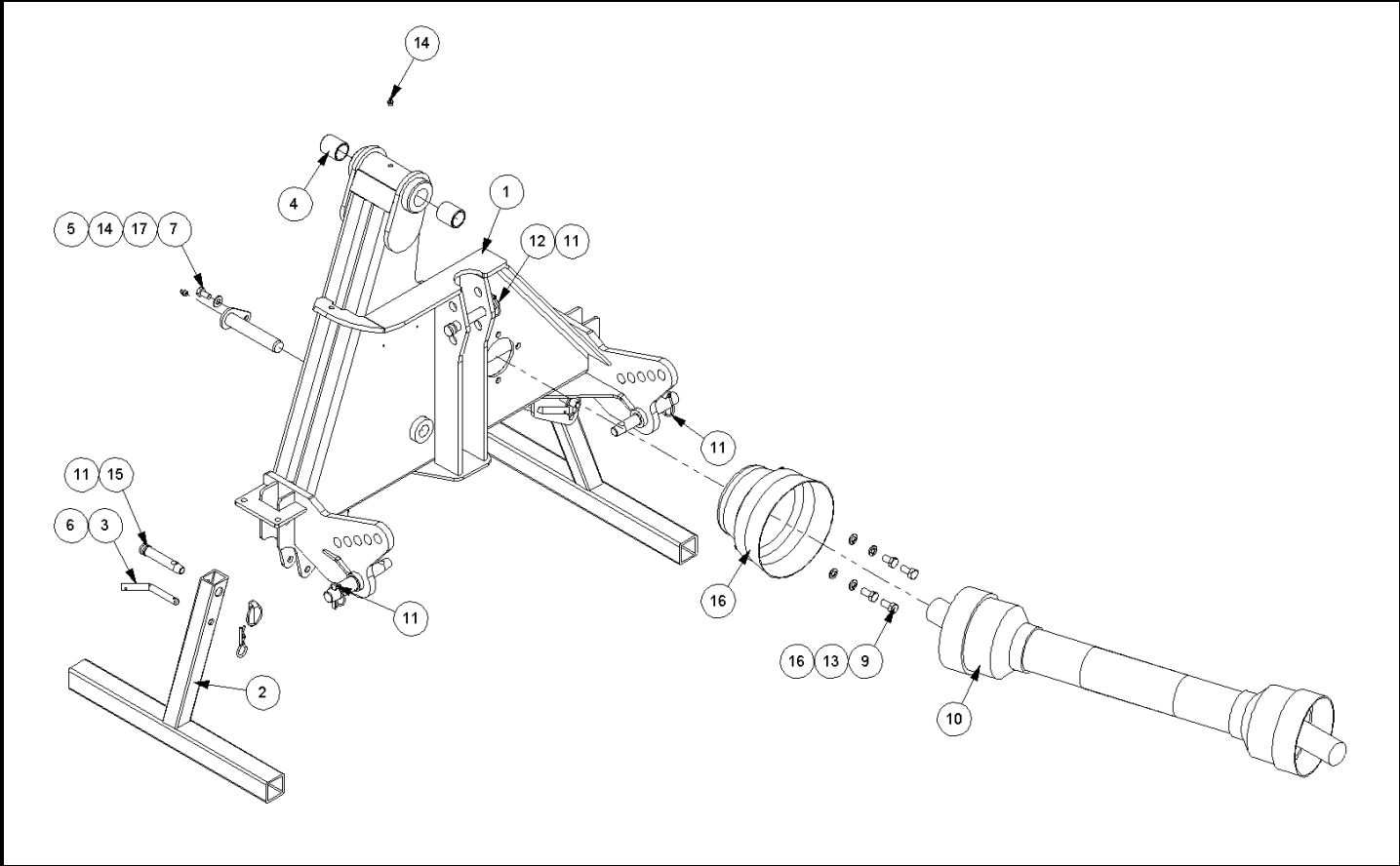
7434401 B - DECAL KIT FRONT MNTG



7434401 B - DECAL KIT FRONT MNTG

| Ref | Part No | Description | Qty |
|-----|----------|------------------|-----|
| 1 | 1290870 | DECAL | 1 |
| 2 | 1290869 | DECAL | 1 |
| 3 | 1290868 | DECAL | 1 |
| 5 | 1335246 | SERIAL No. PLATE | 1 |
| 6 | 7103230 | RIVET | 4 |
| 7 | 45671.02 | RELECTOR WHITE | 2 |

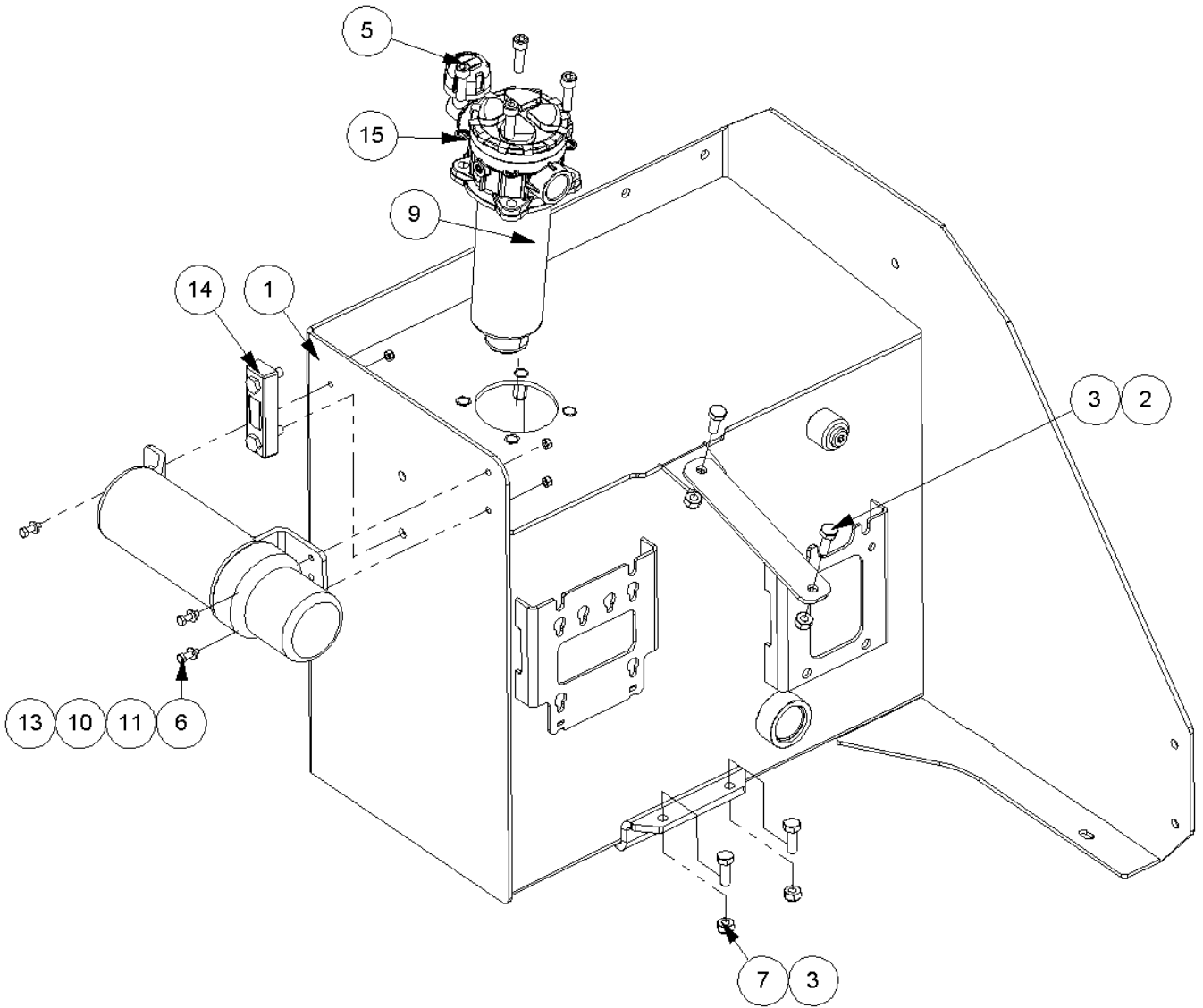
7434500 E - MAIN FRAME MODULE



7434500 E - MAIN FRAME MODULE

| Ref | Part No | Description | Qty |
|-----|----------|---------------------|-----|
| 1 | 22852.01 | MAIN FRAME W/ASSY | 1 |
| 2 | 41203.05 | LEG | 2 |
| 3 | 1090051 | PIN | 2 |
| 4 | 21149.01 | BUSH | 2 |
| 5 | 41267.15 | W/A 1in PIN-GREASER | 1 |
| 6 | 0431105 | PIN | 2 |
| 7 | 9313045 | SCREW | 1 |
| 8 | 9313046 | SCREW | 1 |
| 9 | 9313056 | SCREW | 3 |
| 10 | 7114289 | PTO SHAFT | 1 |
| 11 | 0431217 | PIN | 5 |
| 12 | 6310202 | PIN | 1 |
| 13 | 9100206 | WASHER | 4 |
| 14 | 0901121 | GREASER | 2 |
| 15 | T8117 | PIN | 2 |
| 16 | 42694.04 | GUARD | 1 |
| 17 | 9100205 | WASHER | 1 |

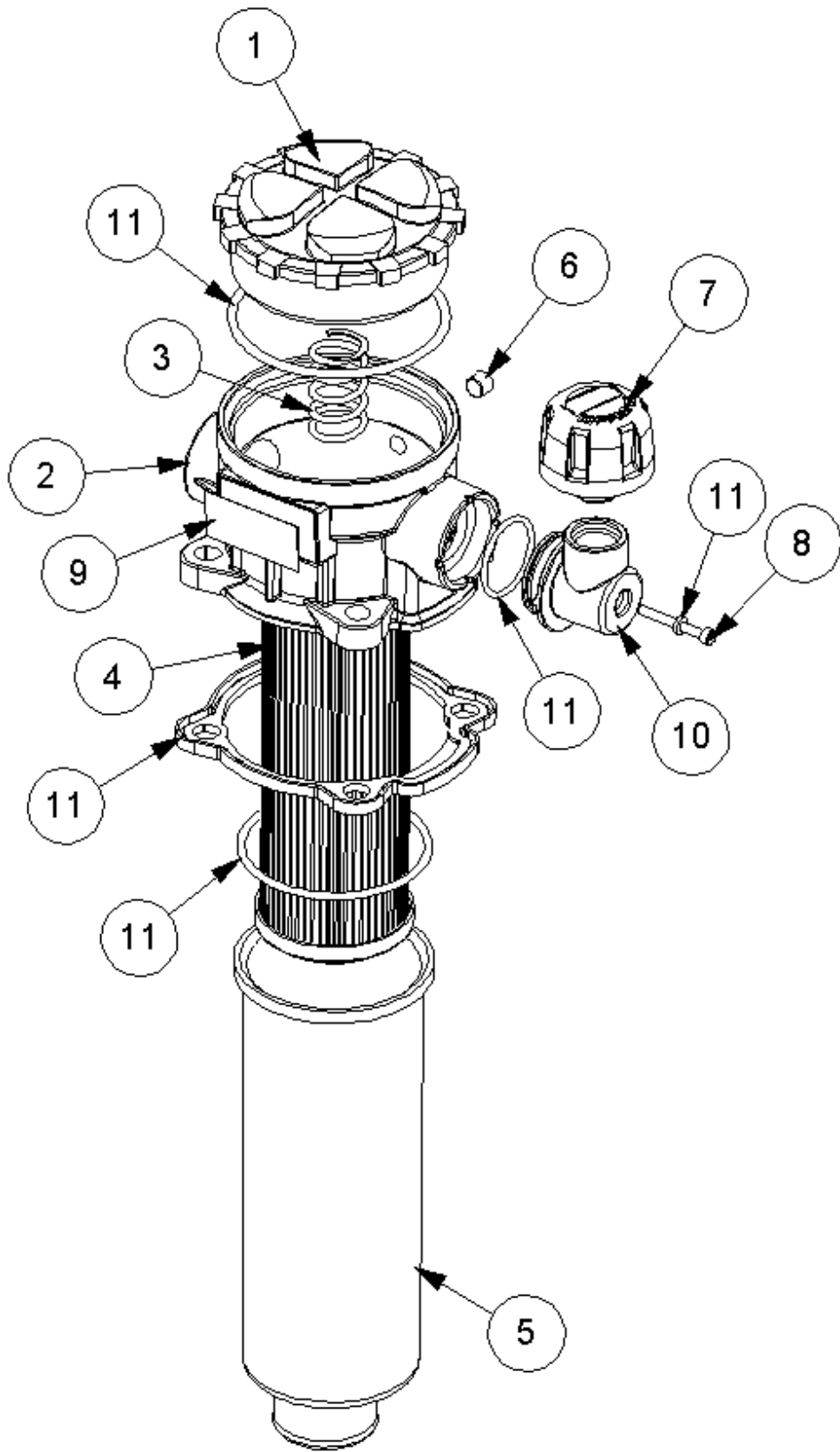
7434502 E - TANK MODULE LH



7434502 E - TANK MODULE LH

| Ref | Part No | Description | Qty |
|-----|-----------|-------------------|-----|
| 1 | 41196.12 | W/ASSY TANK LH | 1 |
| 2 | 41196.55 | TANK STRAP | 1 |
| 3 | 9313065 | SCREW | 3 |
| 4 | 9313055 | SCREW | 1 |
| 5 | 9343075 | SCREW | 4 |
| 6 | 9313043 | SCREW | 3 |
| 7 | 9163005 | NUT | 4 |
| 9 | 8401168 | FILTER | 1 |
| 10 | 46505.01 | HOLDER | 1 |
| 11 | 9100103 | WASHER | 3 |
| 13 | 9163003 | NUT | 3 |
| 14 | 08.921.01 | FLUID LEVEL GAUGE | 1 |
| 15 | 8650310 | SEAL | 4 |

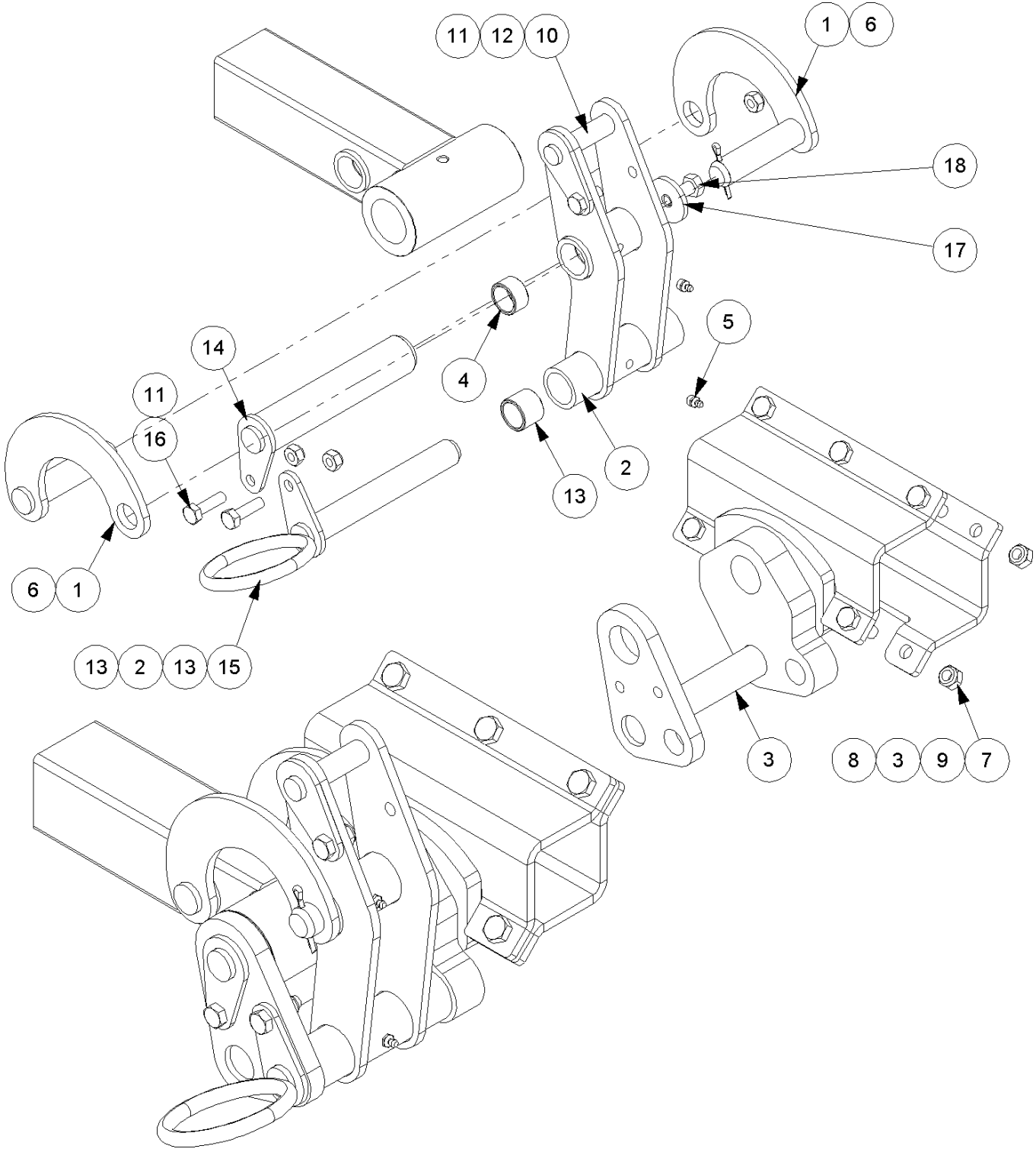
8401168 B - FILTER



8401168 B - FILTER

| Ref | Part No | Description | Qty |
|-----|------------|----------------------|-----|
| 1 | 212.013.04 | FILLER CAP | 1 |
| 2 | 8401187 | HOUSING | 1 |
| 3 | 8401158 | FILTER SPRING | 1 |
| 4 | 8401164 | USE 8401095 | 1 |
| 5 | 8401165 | FILTER BOWL | 1 |
| 6 | 8401166 | FILTER GRUB SCREW | 1 |
| 7 | 8401182 | BREATHER CAP+FILTER | 1 |
| 8 | 8401184 | CAP SCREW | 1 |
| 9 | 8401167 | IDENTIFICATION PLATE | 1 |
| 10 | 8401183 | ELBOW | 1 |
| 11 | 8699294 | FILTER SEAL KIT | 0 |

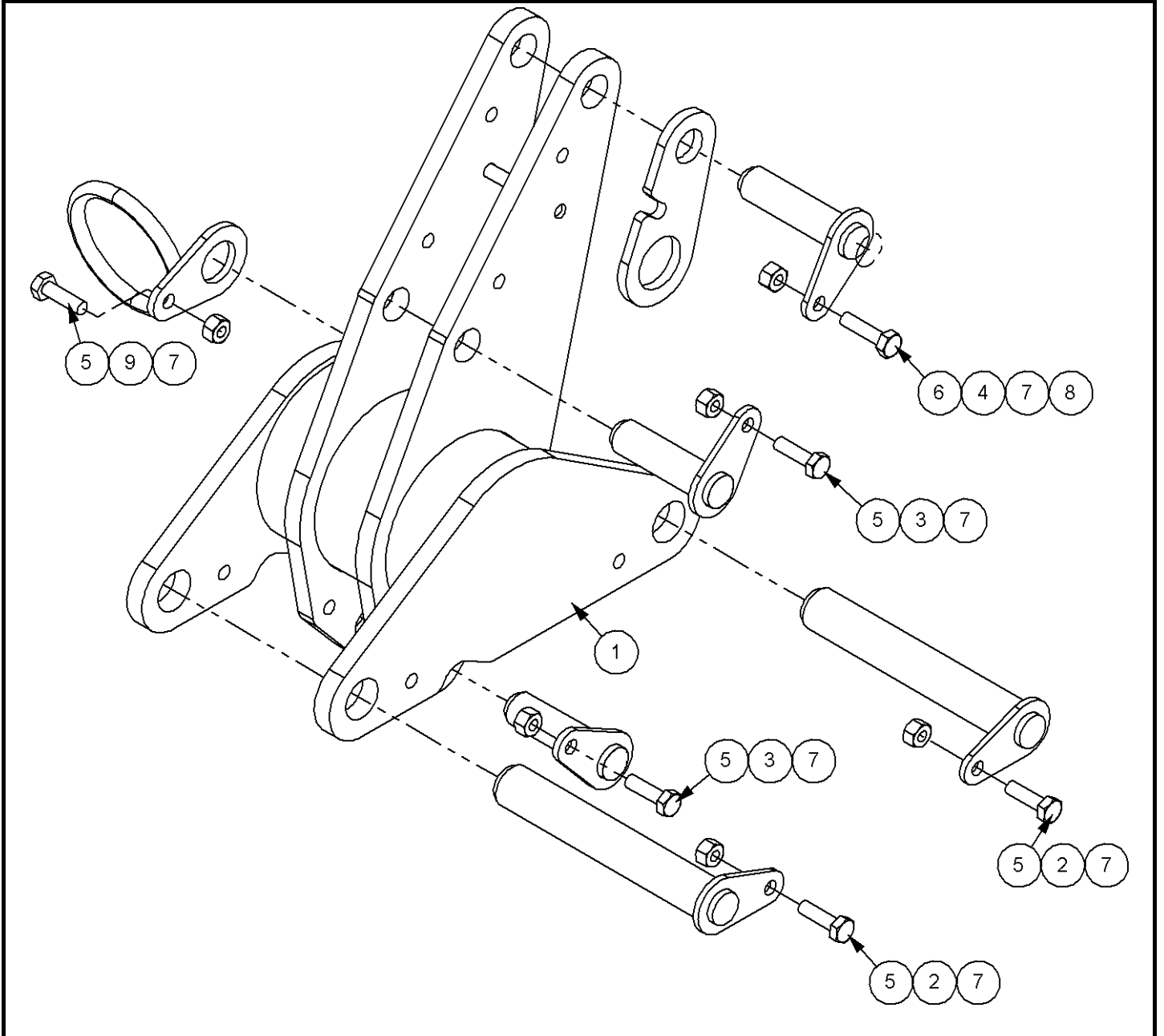
7434511 C - ANGLING GEAR



7434511 C - ANGLING GEAR

| Ref | Part No | Description | Qty |
|-----|-----------|-------------------|-----|
| 1 | 41206.02 | RADIUS ARM TYPE 2 | 2 |
| 2 | 41207.03 | SLAVE LINK W/ASSY | 1 |
| 3 | 41261.15 | BRACKET -RH | 1 |
| 4 | 7214060 | BUSH | 2 |
| 5 | 0901121 | GREASER | 2 |
| 6 | 9501406 | PIN | 2 |
| 7 | 9163006 | NUT | 5 |
| 8 | 9313086 | SCREW | 5 |
| 9 | 21873.01 | PLATE | 1 |
| 10 | 41270.01 | PIN | 1 |
| 11 | 9163005 | NUT | 3 |
| 12 | 9313055 | SCREW | 1 |
| 13 | 41690.01 | BUSH | 2 |
| 14 | 21971.02 | PIN | 1 |
| 15 | 21970.02 | PIN W/ASSY | 1 |
| 16 | 9313075 | SCREW | 2 |
| 17 | 05.234.01 | WASHER | 1 |
| 18 | 9300149 | SCREW | 1 |

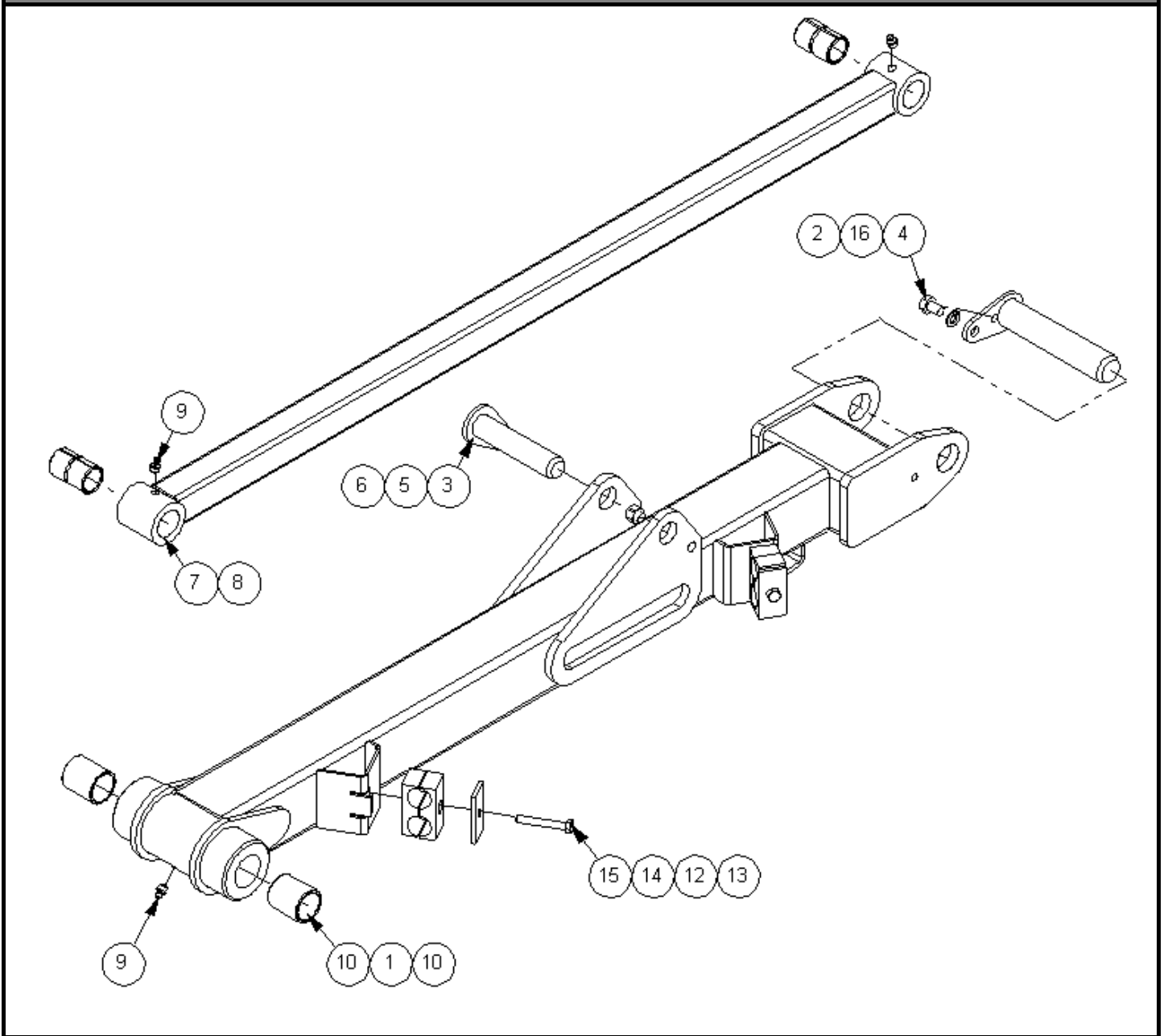
7434514 - ROCKER MODULE



7434514 - ROCKER MODULE

| Ref | Part No | Description | Qty |
|-----|----------|--------------|-----|
| 1 | 41198.08 | ROCKER | 1 |
| 2 | 41268.02 | PIN | 2 |
| 3 | 41267.09 | PIN | 2 |
| 4 | 41267.03 | PIN | 1 |
| 5 | 9313075 | SCREW | 5 |
| 6 | 9313085 | SCREW | 1 |
| 7 | 9163005 | NUT | 6 |
| 8 | 22667.02 | SLINGING EYE | 1 |
| 9 | 43158.02 | LOOP | 1 |

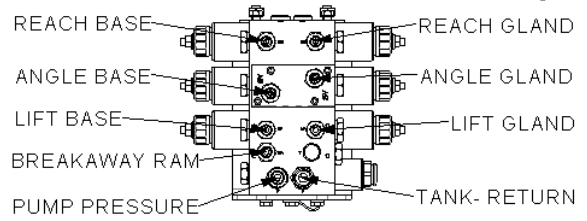
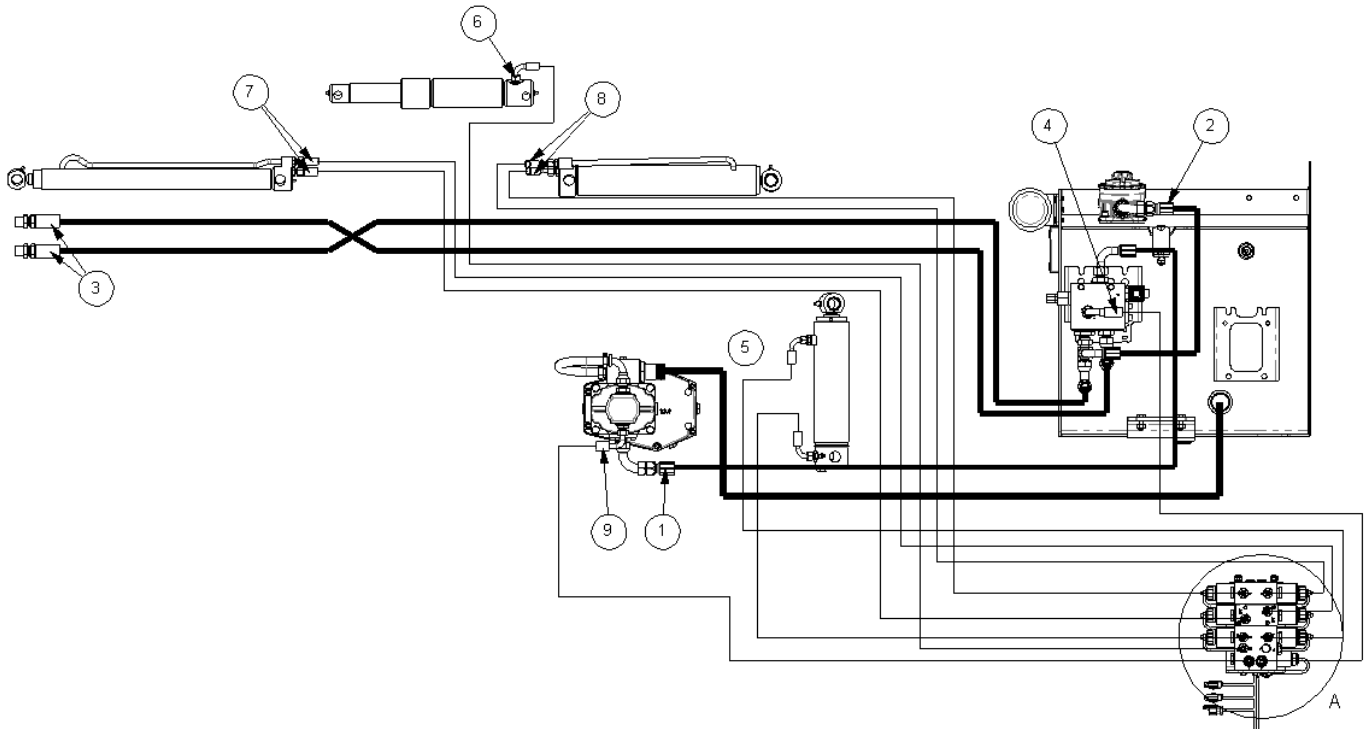
7434516 C - MAIN ARM MODULE



7434516 C - MAIN ARM MODULE

| Ref | Part No | Description | Qty |
|-----|-----------|---------------|-----|
| 1 | 41199.10 | MAIN ARM | 1 |
| 2 | 41268.01 | PIN | 1 |
| 3 | 41267.04 | PIN | 1 |
| 4 | 9313035 | SCREW | 1 |
| 5 | 9313065 | SCREW | 1 |
| 6 | 9163005 | NUT | 1 |
| 7 | 22887.01 | TENSION LINK | 1 |
| 8 | 7105050 | BUSH | 2 |
| 9 | 0901121 | GREASER | 3 |
| 10 | 21149.01 | BUSH | 2 |
| 12 | 06.430.09 | CLAMP (2 PCS) | 2 |
| 13 | 9163004 | NUT | 2 |
| 14 | 06.418.03 | PLATE | 2 |
| 15 | 9213114 | BOLT | 2 |
| 16 | 9100205 | WASHER | 1 |

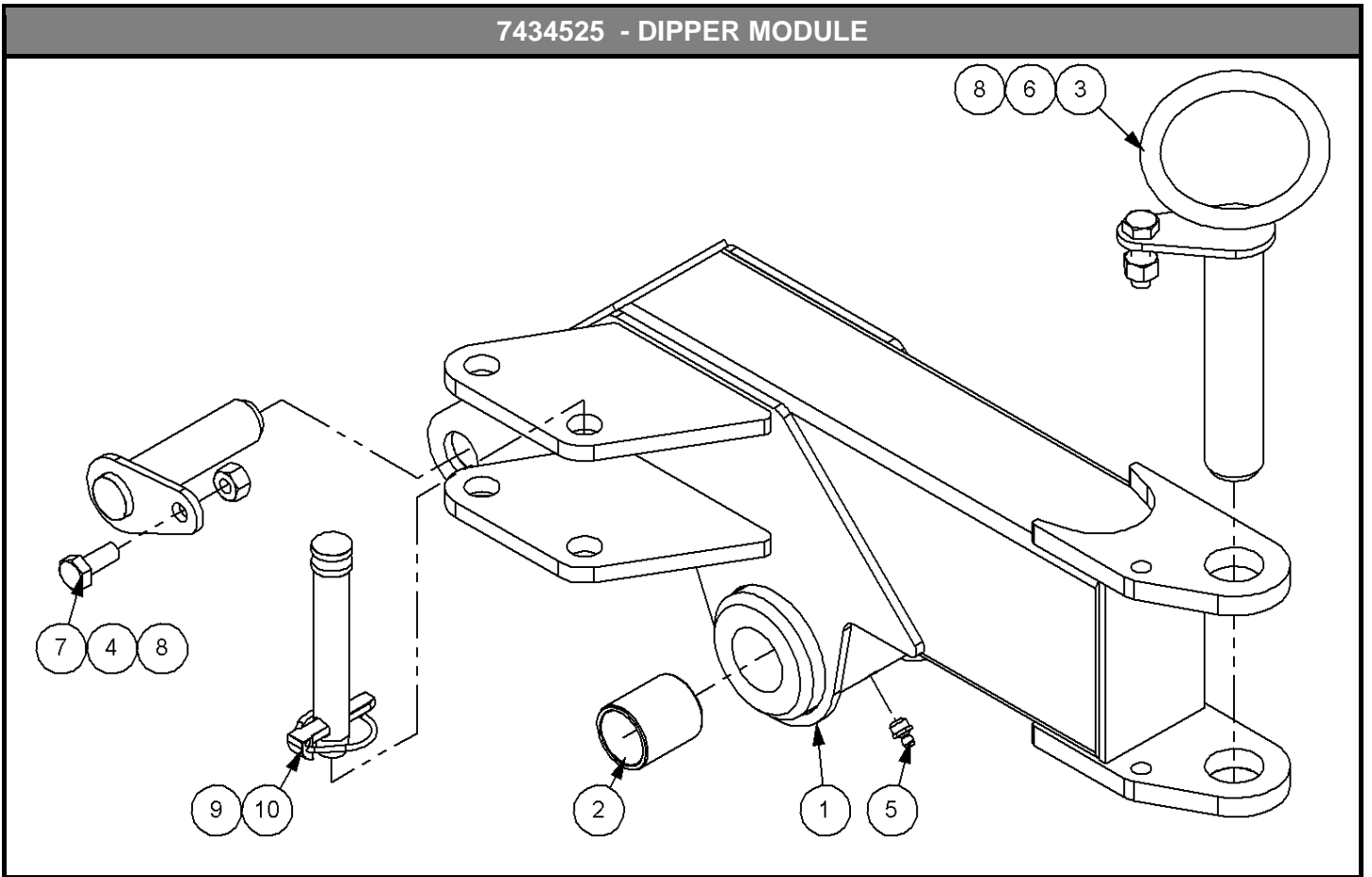
743452270 - HOSE KIT PA3430 RHFMTI REV A



743452270 - HOSE KIT PA3430 RHFMTI REV A

| Ref | Part No | Description | Qty |
|-----|-----------|---------------|-----|
| 1 | 10.008.22 | HOSE | 1 |
| 2 | 10.008.16 | HOSE | 1 |
| 3 | 10.081.44 | 5/8" BSP HOSE | 2 |
| 4 | 10.006.12 | HOSE | 1 |
| 5 | 10.002.19 | HOSE | 2 |
| 6 | 10.002.39 | HOSE | 1 |
| 7 | 10.001.39 | HOSE | 2 |
| 8 | 10.017.31 | HOSE | 2 |
| 9 | 10.004.18 | HOSE | 1 |

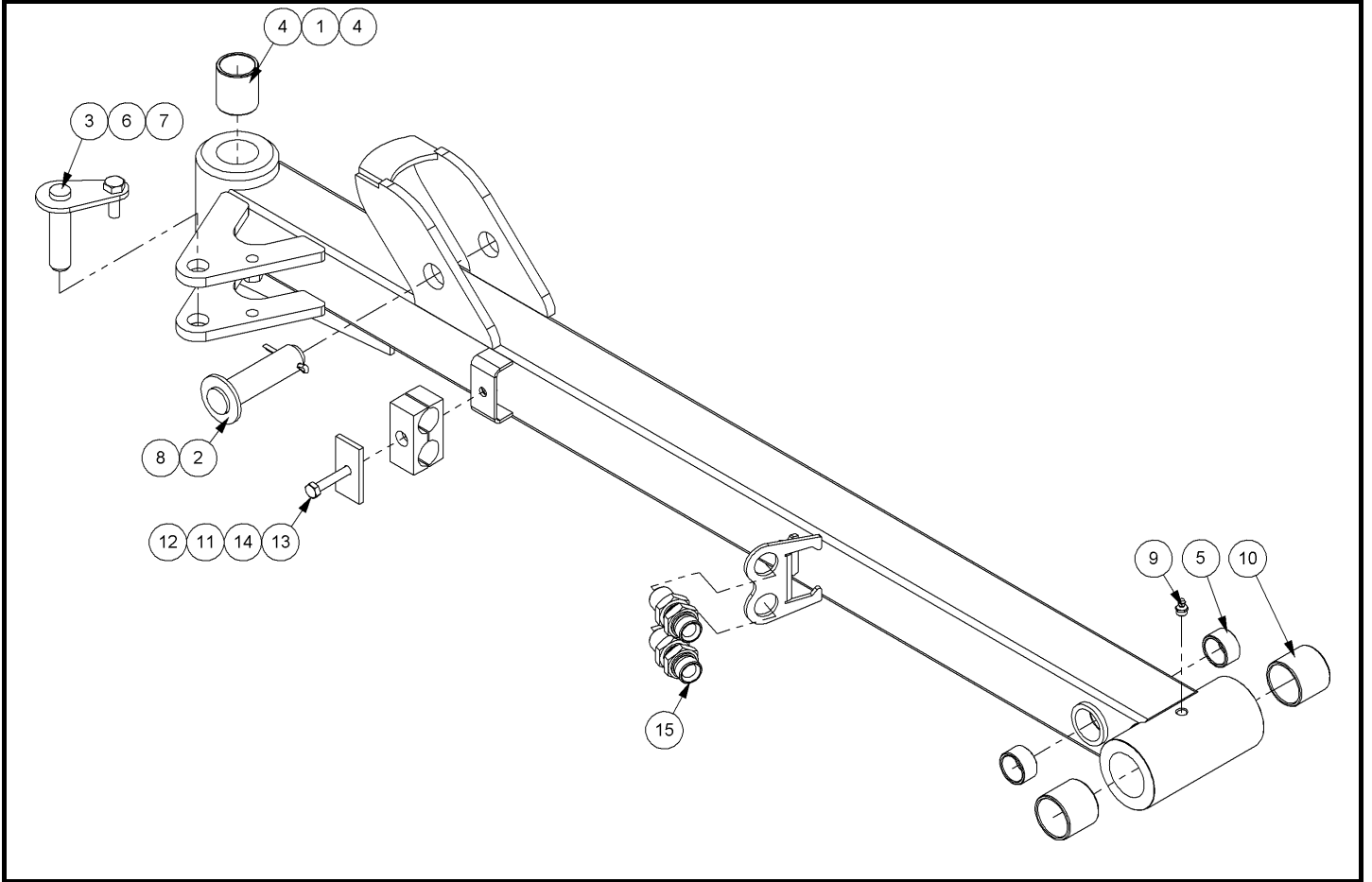
7434525 - DIPPER MODULE



7434525 - DIPPER MODULE

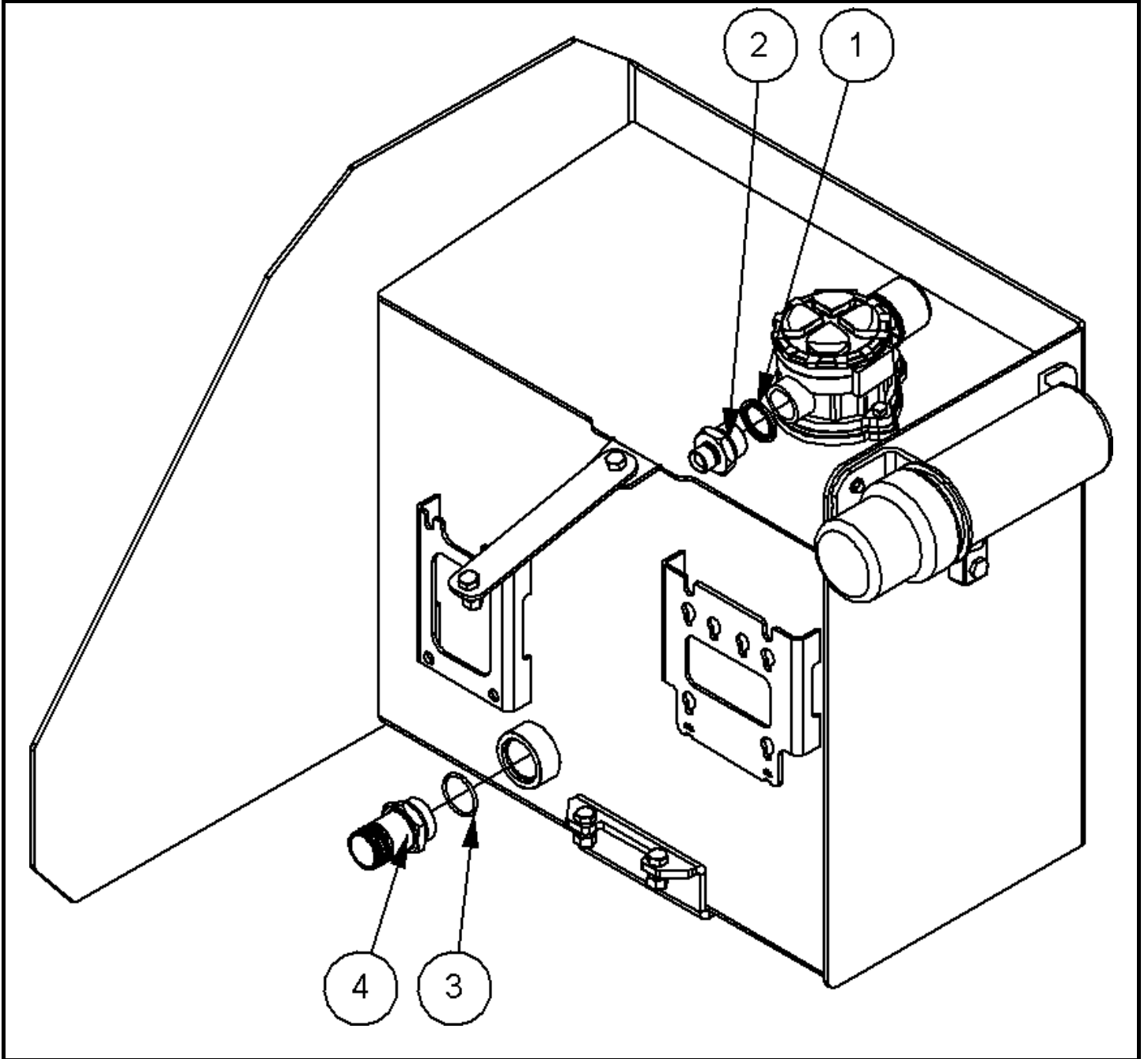
| Ref | Part No | Description | Qty |
|-----|----------|---------------------|-----|
| 1 | 41201.08 | W/ASSY DIPPER UPPER | 1 |
| 2 | 21149.01 | BUSH | 2 |
| 3 | 41269.01 | PIN | 1 |
| 4 | 41267.03 | PIN | 1 |
| 5 | 0901121 | GREASER | 1 |
| 6 | 9313075 | SCREW | 1 |
| 7 | 9313055 | SCREW | 1 |
| 8 | 9163005 | NUT | 2 |
| 9 | 6310202 | PIN | 1 |
| 10 | 0431217 | PIN | 1 |

7434533 - MODULE DIPPER RH



7434533 - MODULE DIPPER RH

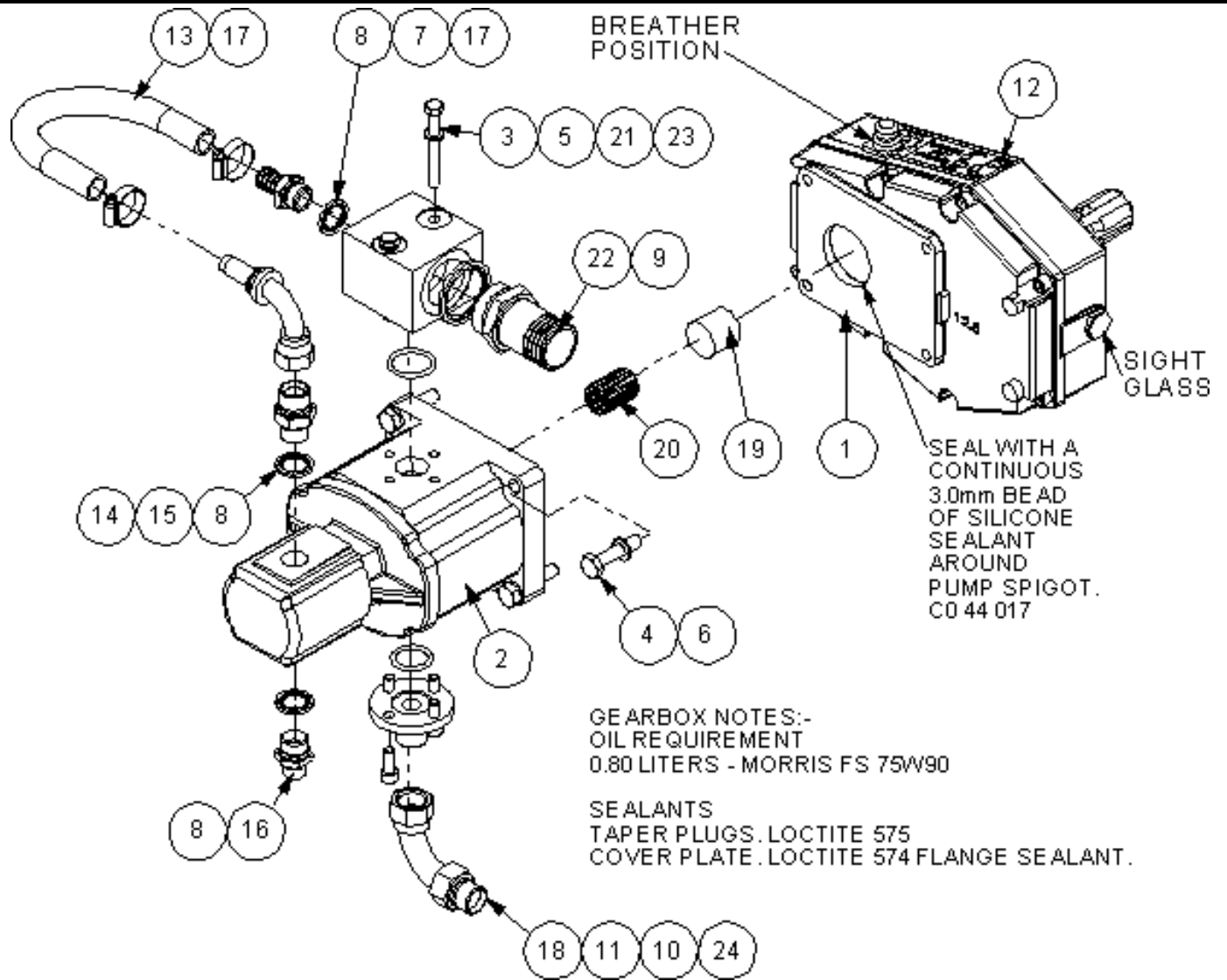
| Ref | Part No | Description | Qty |
|-----|-----------|----------------------|-----|
| 1 | 41202.06 | USE 41202.06Y OR.06B | 1 |
| 2 | 7191041 | PIN | 1 |
| 3 | 41270.01 | PIN | 1 |
| 4 | 21149.01 | BUSH | 2 |
| 5 | 7214060 | BUSH | 2 |
| 6 | 9313065 | SCREW | 1 |
| 7 | 9163005 | NUT | 1 |
| 8 | 9501406 | PIN | 1 |
| 9 | 0901121 | GREASER | 3 |
| 10 | 7213023 | BUSH | 2 |
| 11 | 06.430.09 | CLAMP (2 PCS) | 1 |
| 12 | 9163004 | NUT | 1 |
| 13 | 9213114 | BOLT | 1 |
| 14 | 06.418.03 | PLATE | 1 |



7434540 - TANK FITTINGS

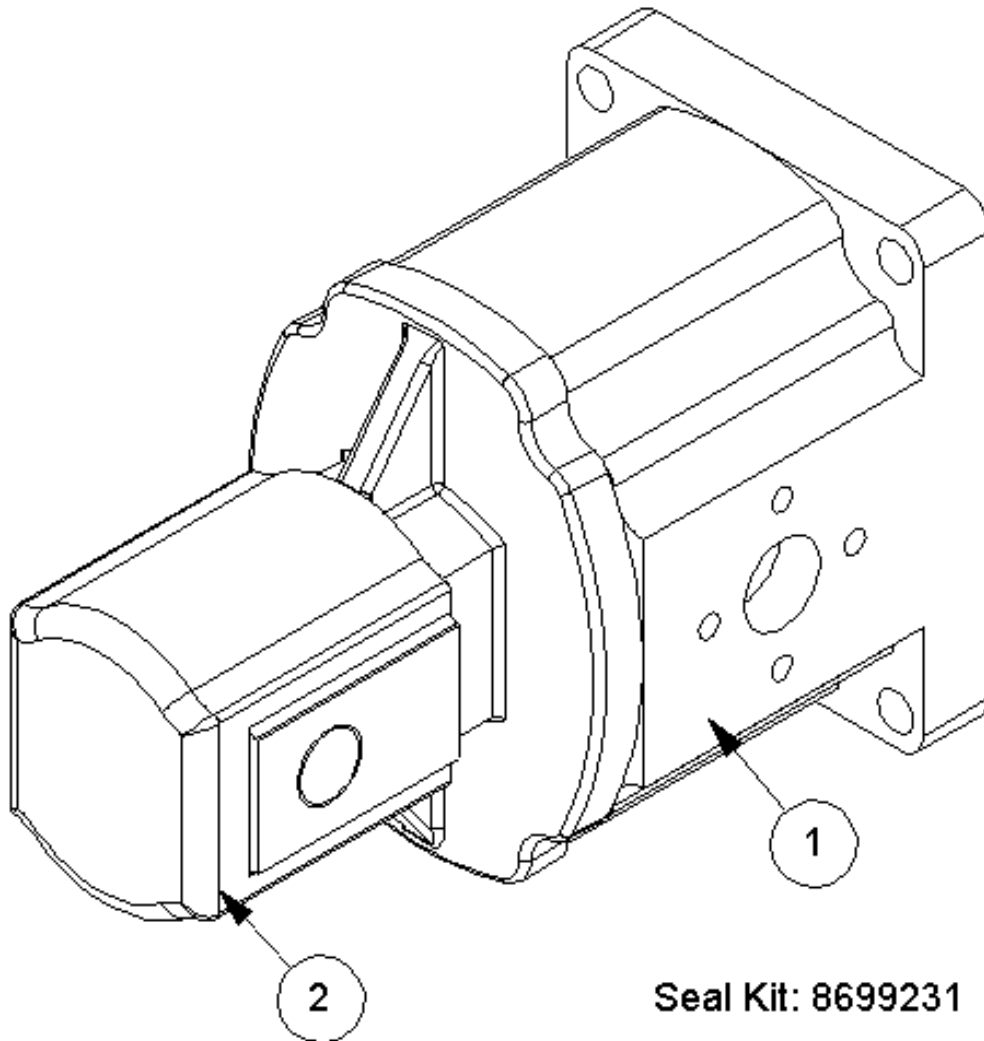
| Ref | Part No | Description | Qty |
|-----|---------|-------------|-----|
| 1 | 8650108 | SEAL | 1 |
| 2 | 8581378 | ADAPTOR | 1 |
| 3 | 8700784 | "O" RING | 1 |
| 4 | 8581260 | ADAPTOR | 1 |

7434541 C - PUMP & GEARBOX



7434541 C - PUMP & GEARBOX

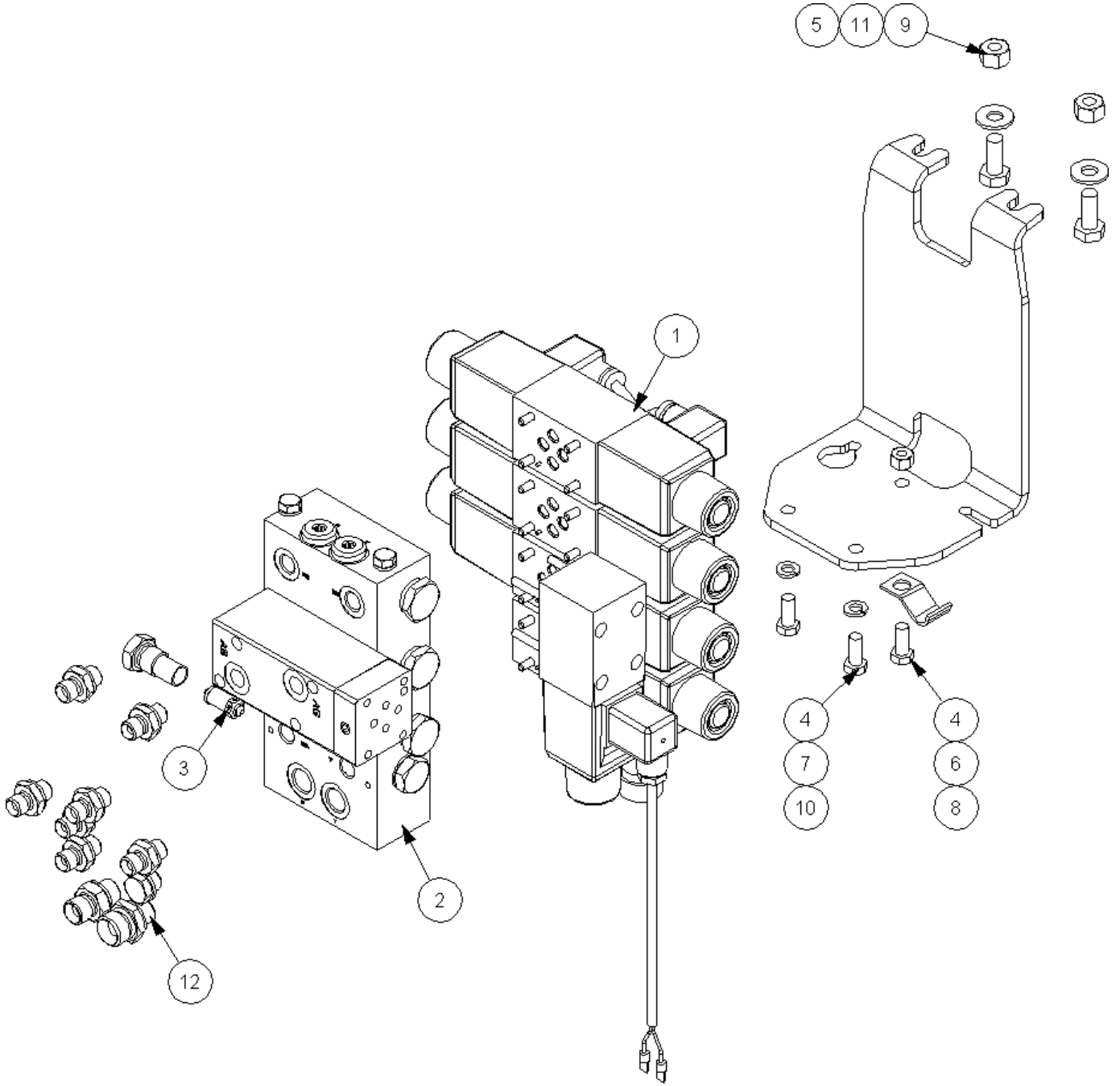
| Ref | Part No | Description | Qty |
|-----|----------|----------------|-----|
| 1 | 8013570 | Gearbox 1: 1.5 | 1 |
| 2 | 8201466 | PUMP | 1 |
| 3 | 9213144 | BOLT | 2 |
| 4 | 9213095 | BOLT | 4 |
| 5 | 9100204 | WASHER | 2 |
| 6 | 9100205 | WASHER | 4 |
| 7 | 8002059 | CONNECTION | 1 |
| 8 | 8650104 | SEAL | 3 |
| 9 | 8650109 | SEAL | 1 |
| 10 | 8013083 | CONNECTION | 1 |
| 11 | 9300147 | SCREW | 4 |
| 12 | 1290030 | DECAL | 1 |
| 13 | 8501099 | HOSE | 1 |
| 14 | 8581173 | ELBOW | 1 |
| 15 | G3812120 | ADAPTOR | 1 |
| 16 | 6000112 | ADAPTOR | 1 |
| 17 | 0904204 | CLIP | 2 |
| 18 | 8581565 | ADAPTOR | 1 |
| 19 | 42415.02 | SPACER | 1 |
| 20 | 8013097 | ADAPTOR | 1 |
| 21 | 8581577 | BLOCK | 1 |
| 22 | 8581260 | ADAPTOR | 1 |
| 23 | 8600122 | "O" RING | 1 |
| 24 | 8600119 | "O" RING | 1 |



8201466 - PUMP

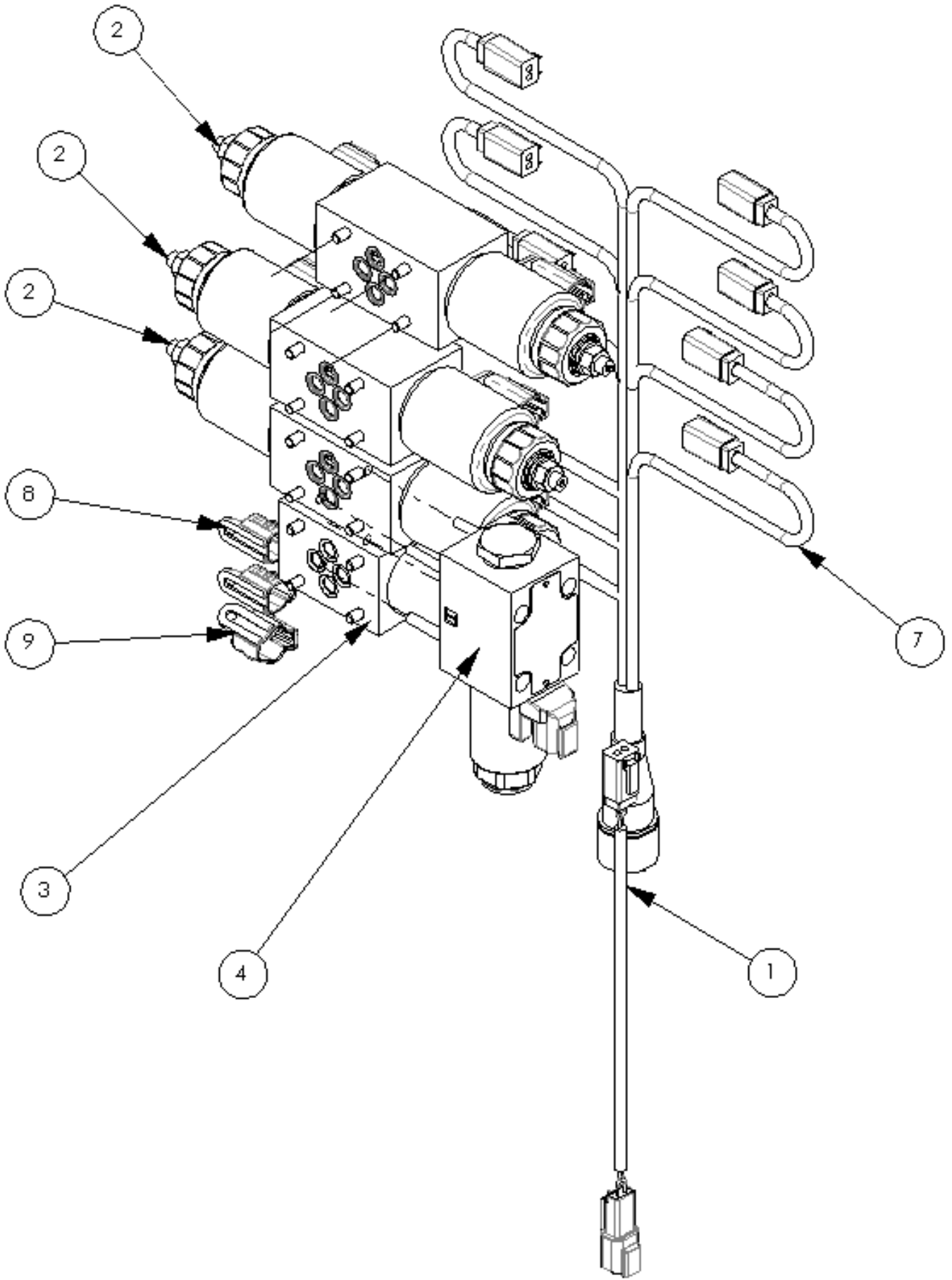
| Ref | Part No | Description | Qty |
|-----|---------|---------------------|-----|
| 1 | 8201684 | HYD PUMP F-HALF | 1 |
| 2 | 8201677 | PUMP REAR - 8201466 | 1 |
| 3 | 8699231 | SEAL KIT | 0 |

743457 B - ACV ASSY



7434557 B - ACV ASSY

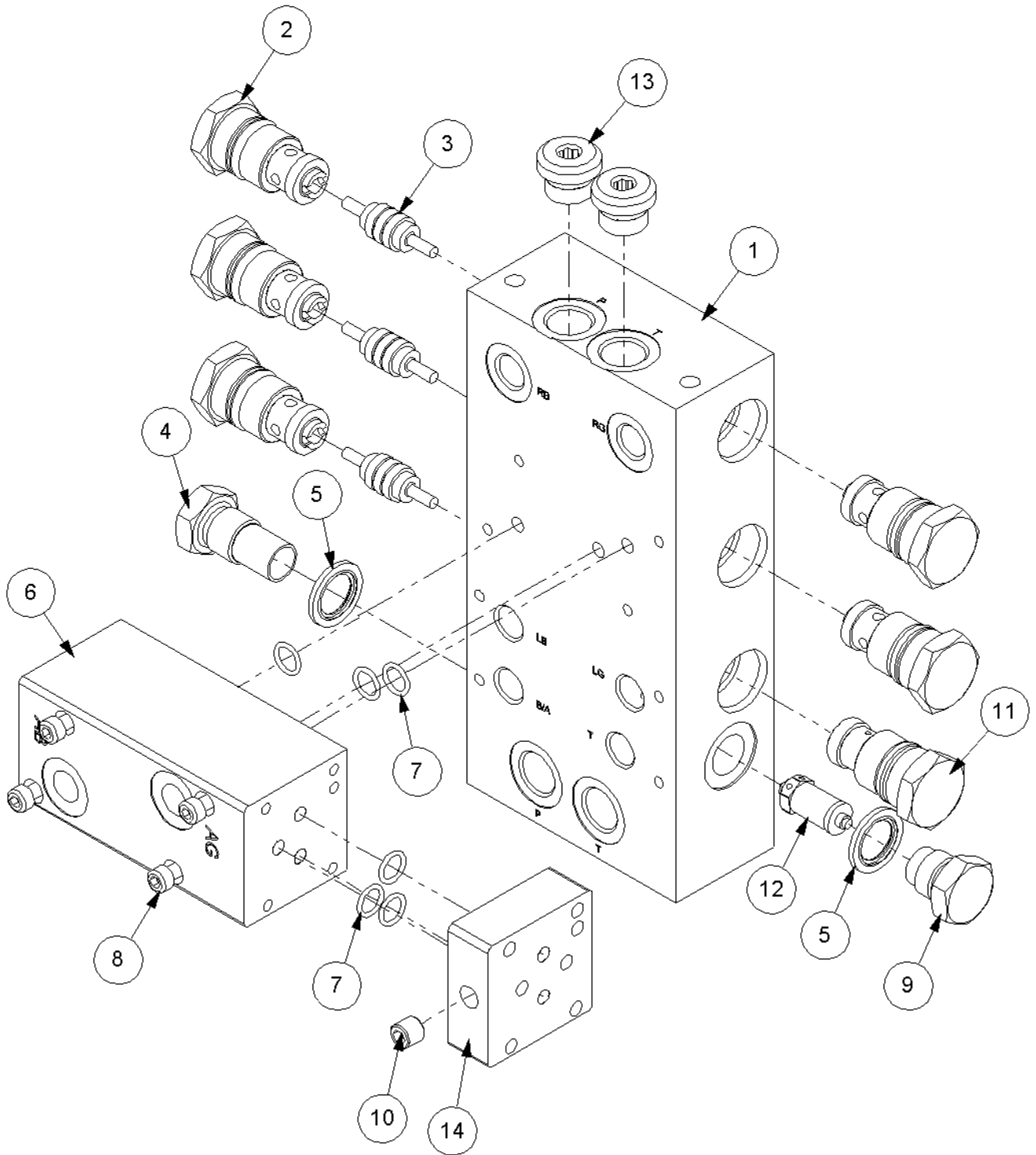
| Ref | Part No | Description | Qty |
|-----|----------|-----------------|-----|
| 1 | 22525.57 | SOLENOID | 1 |
| 2 | 22523.20 | MANIFOLD ASSY | 1 |
| 3 | 8130029 | VALVE | 1 |
| 4 | 9313044 | SCREW | 5 |
| 5 | 9313055 | SCREW | 2 |
| 6 | 7109151 | CLAMP | 1 |
| 7 | 9100204 | WASHER | 4 |
| 8 | 9163004 | NUT | 1 |
| 9 | 9163005 | NUT | 2 |
| 10 | 41196.57 | VALVE MTG PLATE | 1 |
| 11 | 9100105 | WASHER | 2 |
| 12 | 22524.48 | ADAPTOR KIT | 1 |



22525.57 D - SOLENOID

| Ref | Part No | Description | Qty |
|-----|----------|-------------------------------|-----|
| 1 | 41844.34 | LOOM ANGLE FLOAT DT CONNECTOR | 1 |
| 2 | 23550.11 | PROP DCV | 3 |
| 3 | 23550.13 | VALVE | 1 |
| 4 | 23550.15 | DCV | 1 |
| 7 | 41844.27 | LOOM 14 CORE 19WAY PLUG DT | 1 |
| 8 | 45594.41 | SEALING CAP | 1 |
| 9 | 45594.42 | SEALING CAP | 1 |
| 22 | 23550.18 | TOOL - MANUAL SOL. OPERATION | 1 |

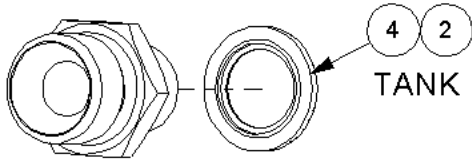
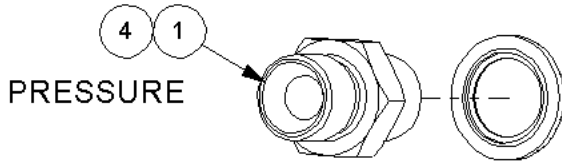
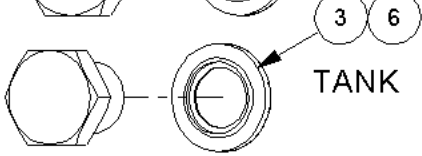
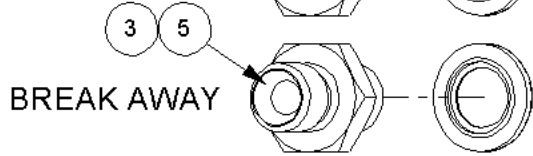
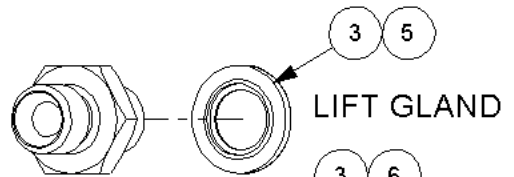
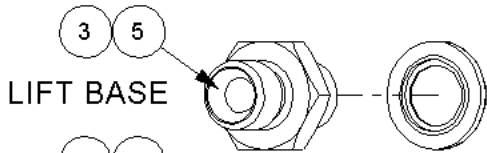
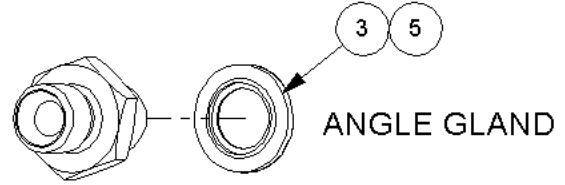
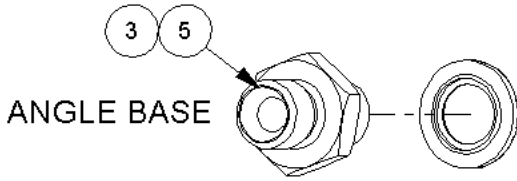
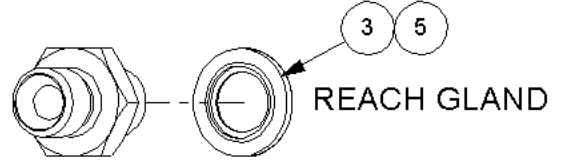
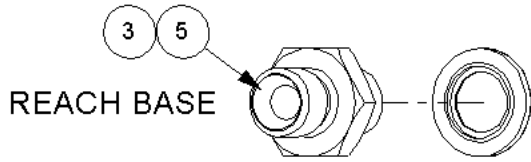
22523.20 - MANIFOLD ASSY



22523.20 - MANIFOLD ASSY

| Ref | Part No | Description | Qty |
|----------------------------------|----------|-----------------|-----|
| 1 | 8132309 | MANIFOLD 3 BANK | 1 |
| 8132309 - MANIFOLD 3 BANK | | | |
| Ref | Part No | Description | Qty |
| 1 | 8130303S | BLOCK | 1 |
| 2 | 8130090 | VALVE | 5 |
| 3 | 8130087 | ACTUATOR | 3 |
| 4 | 8130032 | CAP | 1 |
| 5 | 8650103 | SEAL | 2 |
| 6 | 8126333 | BLOCK | 1 |
| 7 | 8700511 | "O" RING | 6 |
| 8 | 9243082 | SCREW | 4 |
| 9 | 8130031 | CAP | 1 |
| 10 | 8582041 | PLUG | 2 |
| 11 | 8130354 | VALVE | 1 |
| 12 | 8130164 | VALVE | 1 |
| 13 | 8581436 | ADAPTOR | 2 |
| 14 | 8126334 | PLATE | 1 |

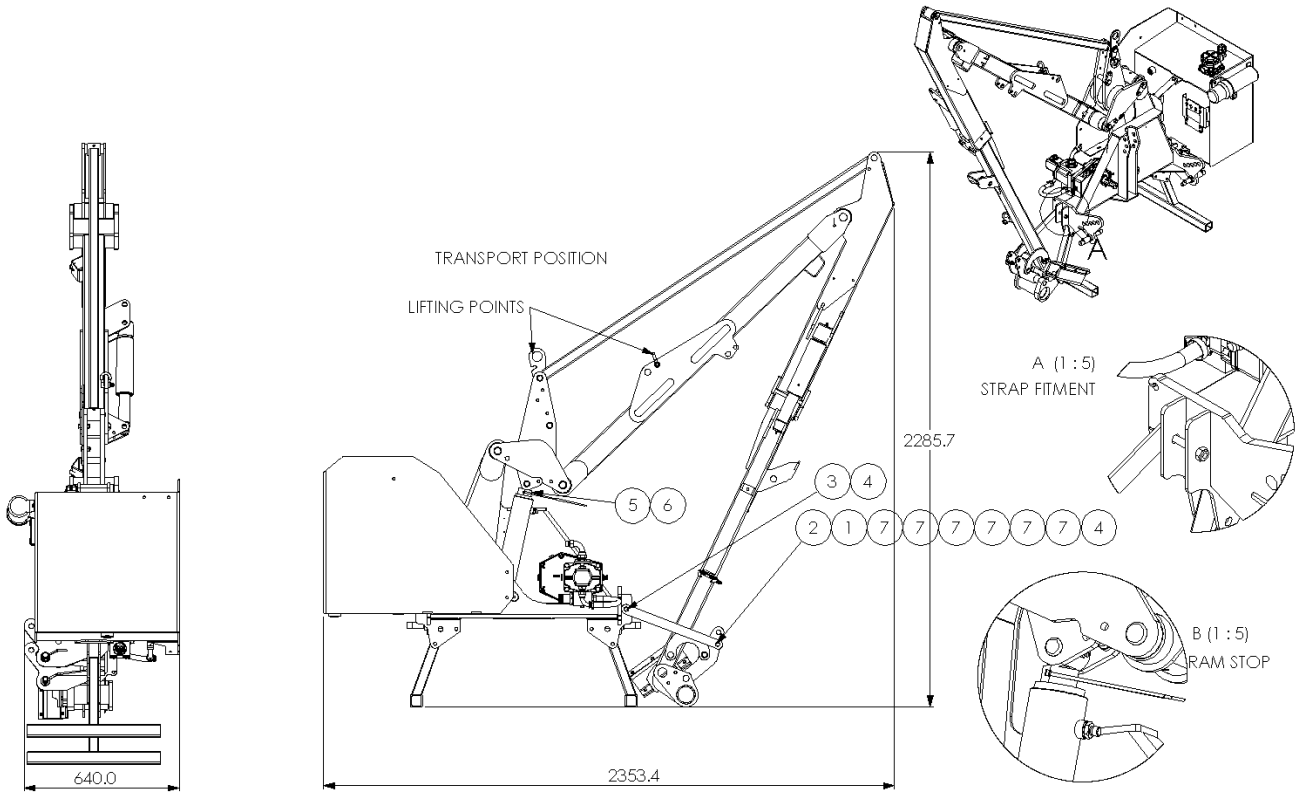
22524.48 B - ADAPTOR KIT



22524.48 B - ADAPTOR KIT

| Ref | Part No | Description | Qty |
|-----|---------|-------------|-----|
| 1 | 6000113 | ADAPTOR | 1 |
| 2 | 6000112 | ADAPTOR | 1 |
| 3 | 8650102 | SEAL | 8 |
| 4 | 8650103 | SEAL | 2 |
| 5 | 8581169 | ADAPTOR | 7 |
| 6 | 520378 | ADAPTOR | 1 |

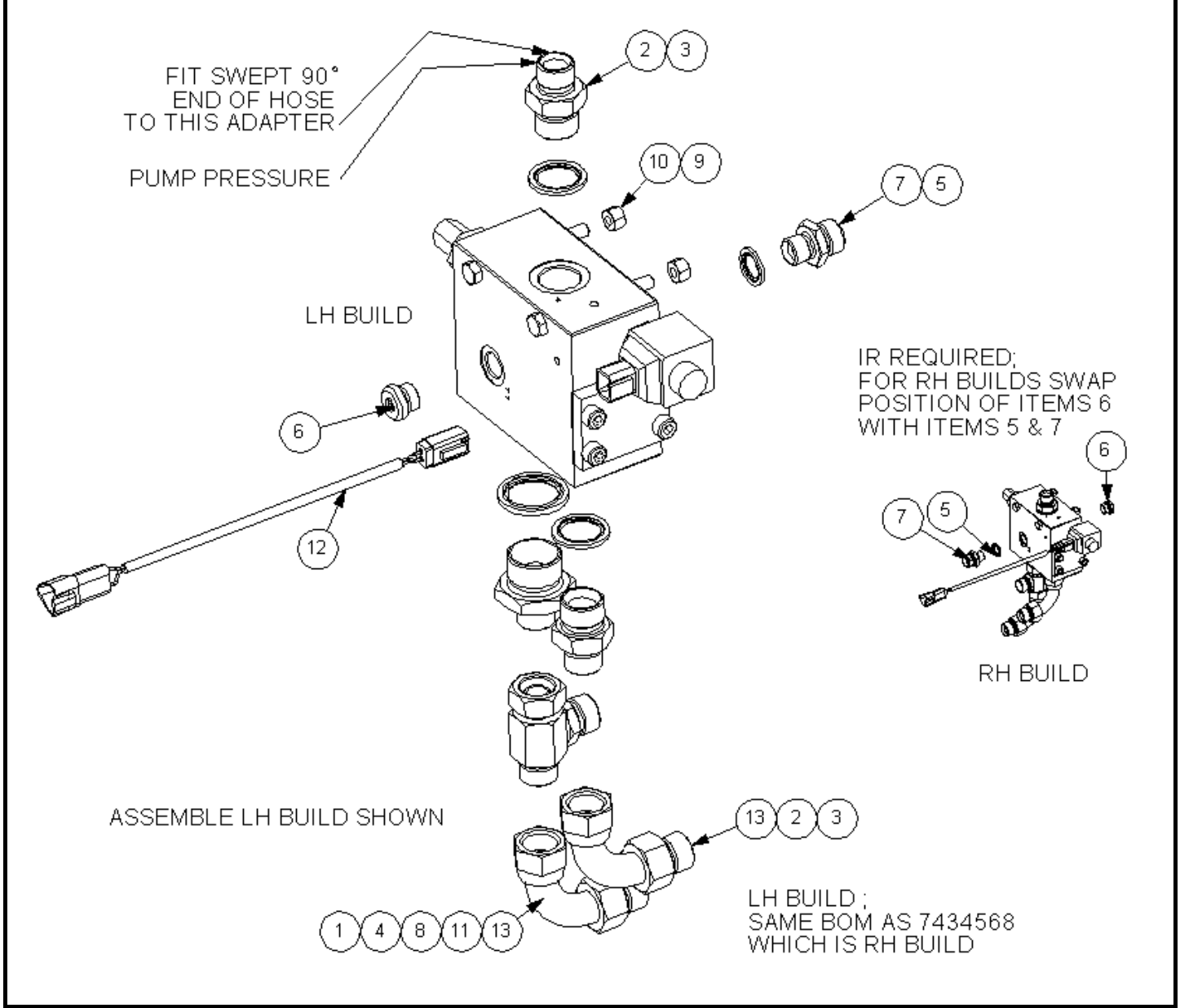
7434576 E - PACKING KIT



7434576 E - PACKING KIT

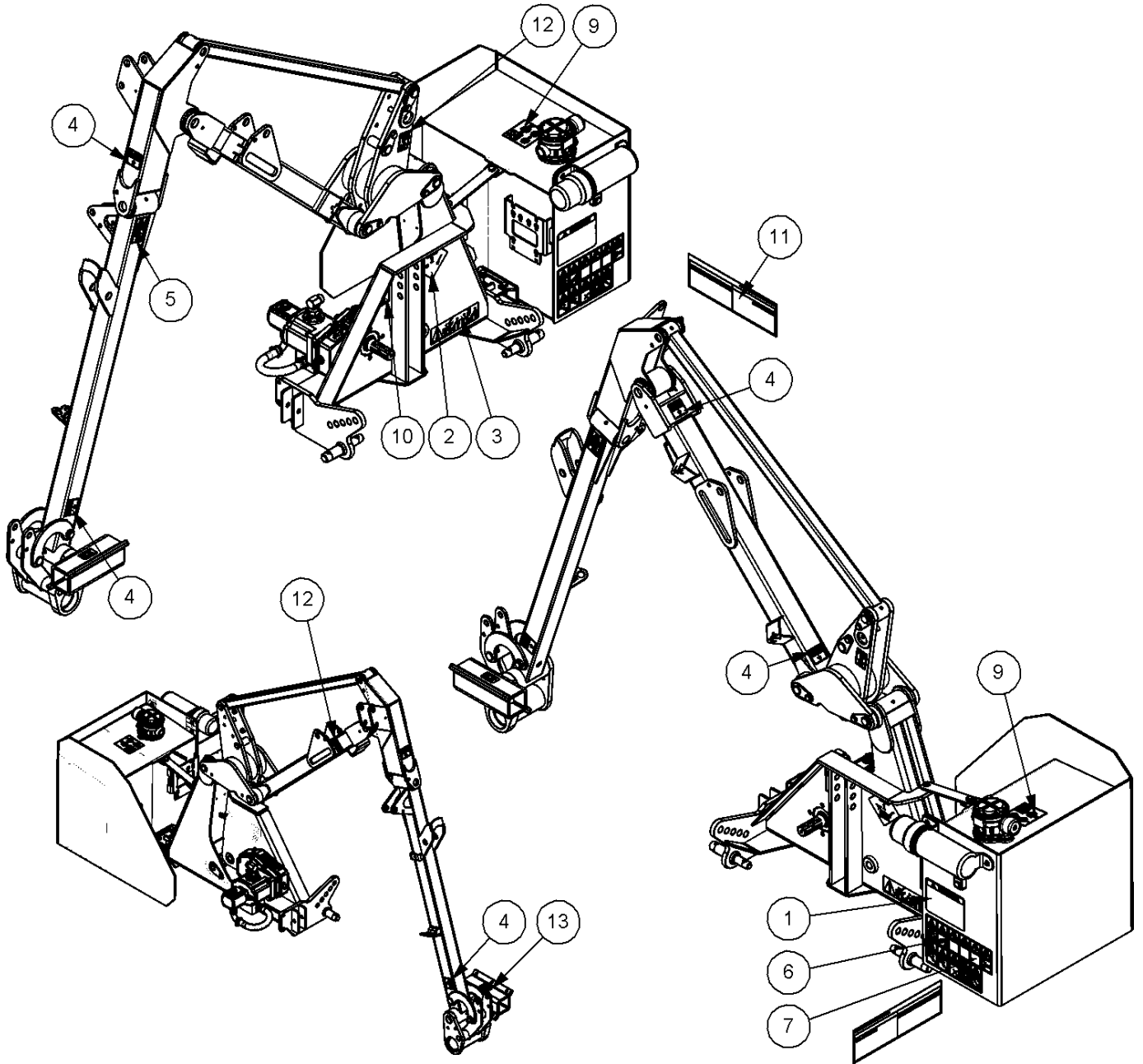
| Ref | Part No | Description | Qty |
|-----|----------|---------------|-----|
| 1 | 22852.53 | PACKING STRAP | 1 |
| 2 | 9313095 | SETSCREW | 1 |
| 3 | 9213145 | BOLT | 1 |
| 4 | 9163005 | NUT | 2 |
| 5 | 22852.59 | ANGLE | 1 |
| 6 | 7196045 | HOSE TIE | 1 |
| 7 | 9100105 | WASHER | 6 |

7434578 - ROTOR VALVE LH ELEC ON-OFF PA3



7434578 - ROTOR VALVE LH ELEC ON-OFF PA3

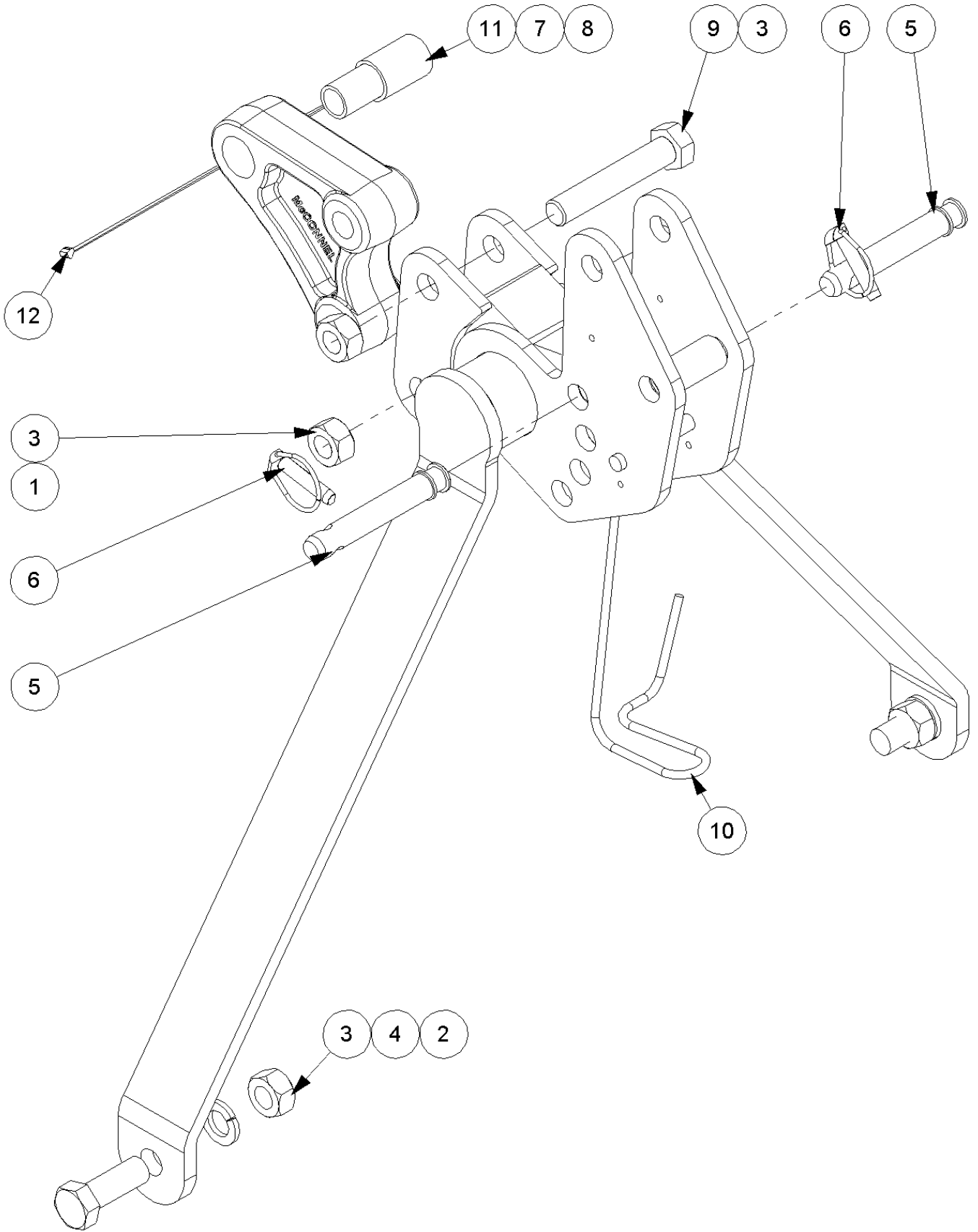
| Ref | Part No | Description | Qty |
|-----|----------|-------------------------|-----|
| 1 | 23741.01 | RELIEF VALVE / DIVERTER | 1 |
| 2 | 8581270 | ADAPTOR | 2 |
| 3 | 8650106 | SEAL | 2 |
| 4 | 8650108 | SEAL | 1 |
| 5 | 8650103 | SEAL | 1 |
| 6 | 8581436 | ADAPTOR | 1 |
| 7 | 6000112 | ADAPTOR | 1 |
| 8 | 8581378 | ADAPTOR | 1 |
| 9 | 9213164 | BOLT | 2 |
| 10 | 9143004 | NUT | 2 |
| 11 | 8581460 | ADAPTOR | 1 |
| 12 | 41844.57 | RCV LOOM ON/OFF DT | 1 |
| 13 | 8581565 | ADAPTOR | 2 |



7434580 - BASIC STICKER KIT

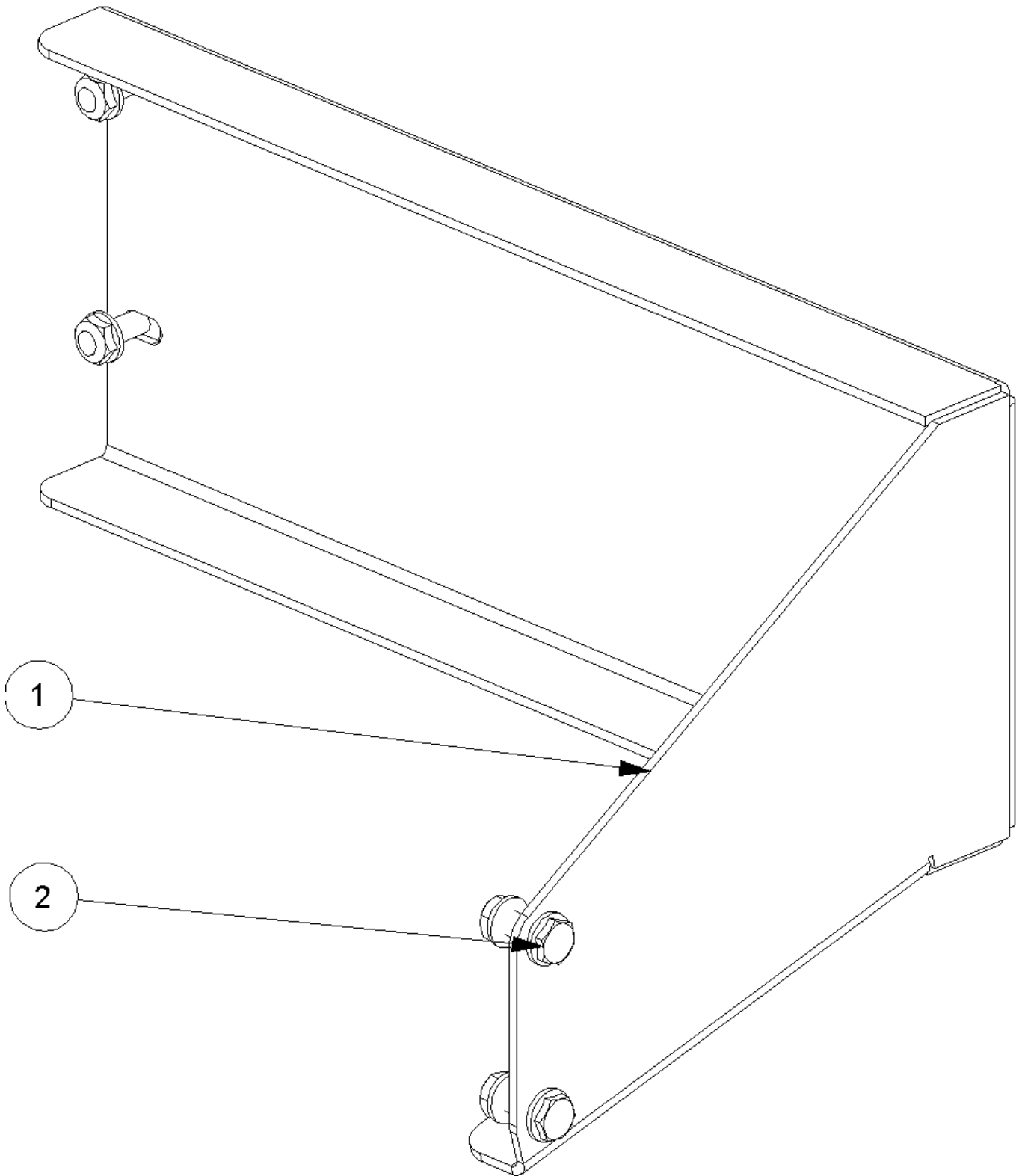
| Ref | Part No | Description | Qty |
|-----|-----------|-------------|-----|
| 1 | 00756494 | DECAL | 1 |
| 2 | 7105130 | DECAL | 1 |
| 3 | 7135295 | DECAL | 1 |
| 4 | 02962764 | DECAL | 6 |
| 5 | 1290746 | DECAL | 1 |
| 6 | 09.821.35 | DECAL | 1 |
| 7 | 09.821.28 | DECAL | 1 |
| 8 | 09.821.32 | DECAL | 1 |
| 9 | 1290774 | DECAL | 1 |
| 10 | 09.811.01 | DECAL | 1 |
| 11 | 1290352 | DECAL | 1 |
| 12 | 09.843.05 | DECAL | 2 |
| 13 | 21917.06 | DECAL | 1 |

7434627 B - STABILIZER KIT



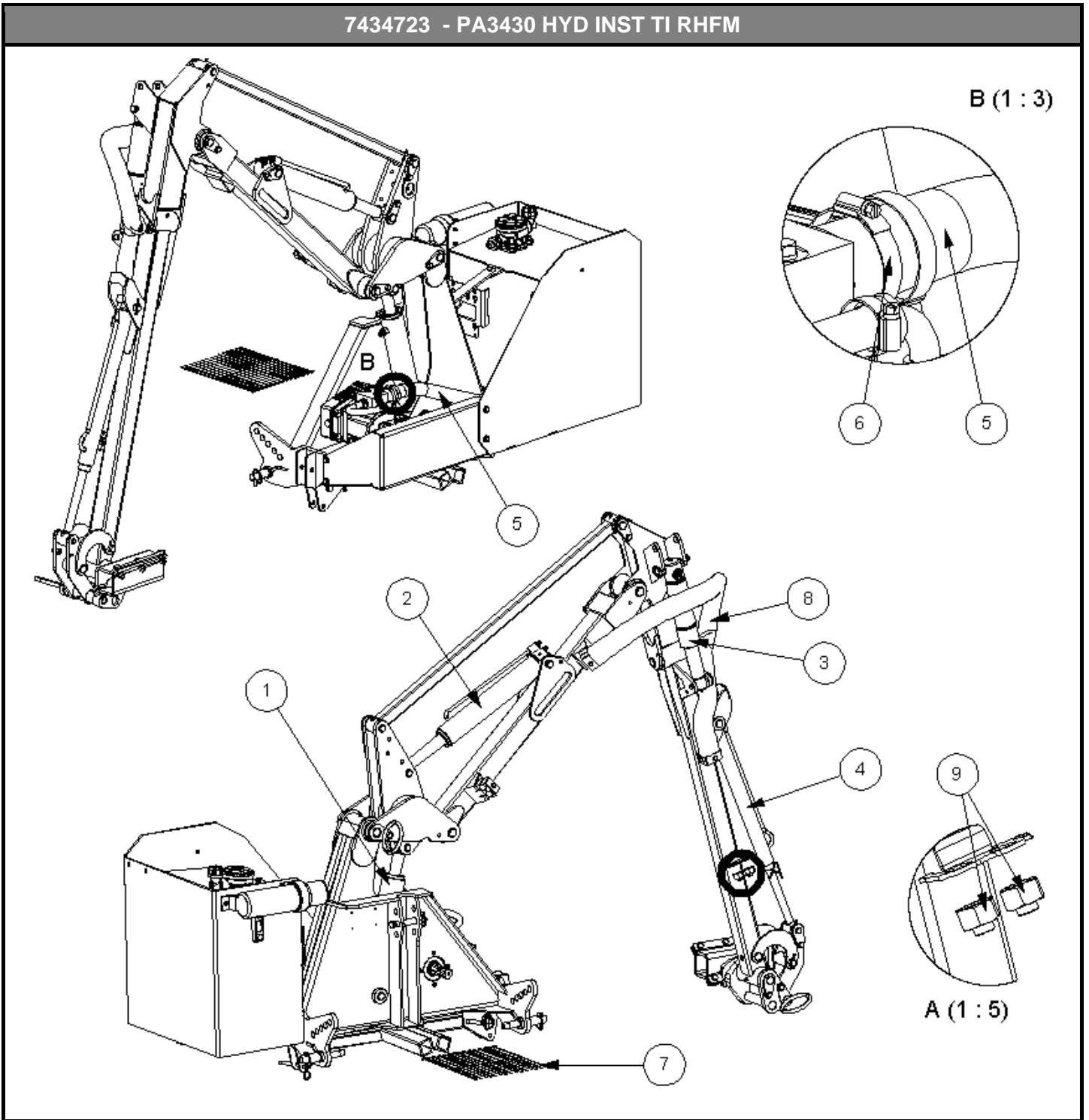
7434627 B - STABILIZER KIT

| Ref | Part No | Description | Qty |
|-----|----------|------------------------|-----|
| 1 | 41205.18 | STABILIZER | 1 |
| 2 | 9313118 | SCREW | 2 |
| 3 | 9113008 | NUT | 4 |
| 4 | 9100208 | WASHER | 2 |
| 5 | T1657 | PIN - LINKAGE | 2 |
| 6 | 0431217 | PIN | 2 |
| 7 | 1467063 | SLEEVE | 2 |
| 8 | 7499506C | TONGUE STAB CAT 3 CAST | 1 |
| 9 | 9213228 | BOLT | 2 |
| 10 | 21160.03 | HOOK | 1 |
| 11 | 21883.01 | SLEEVE CAT 2-3 | 1 |
| 12 | 7196045 | HOSE TIE | 1 |



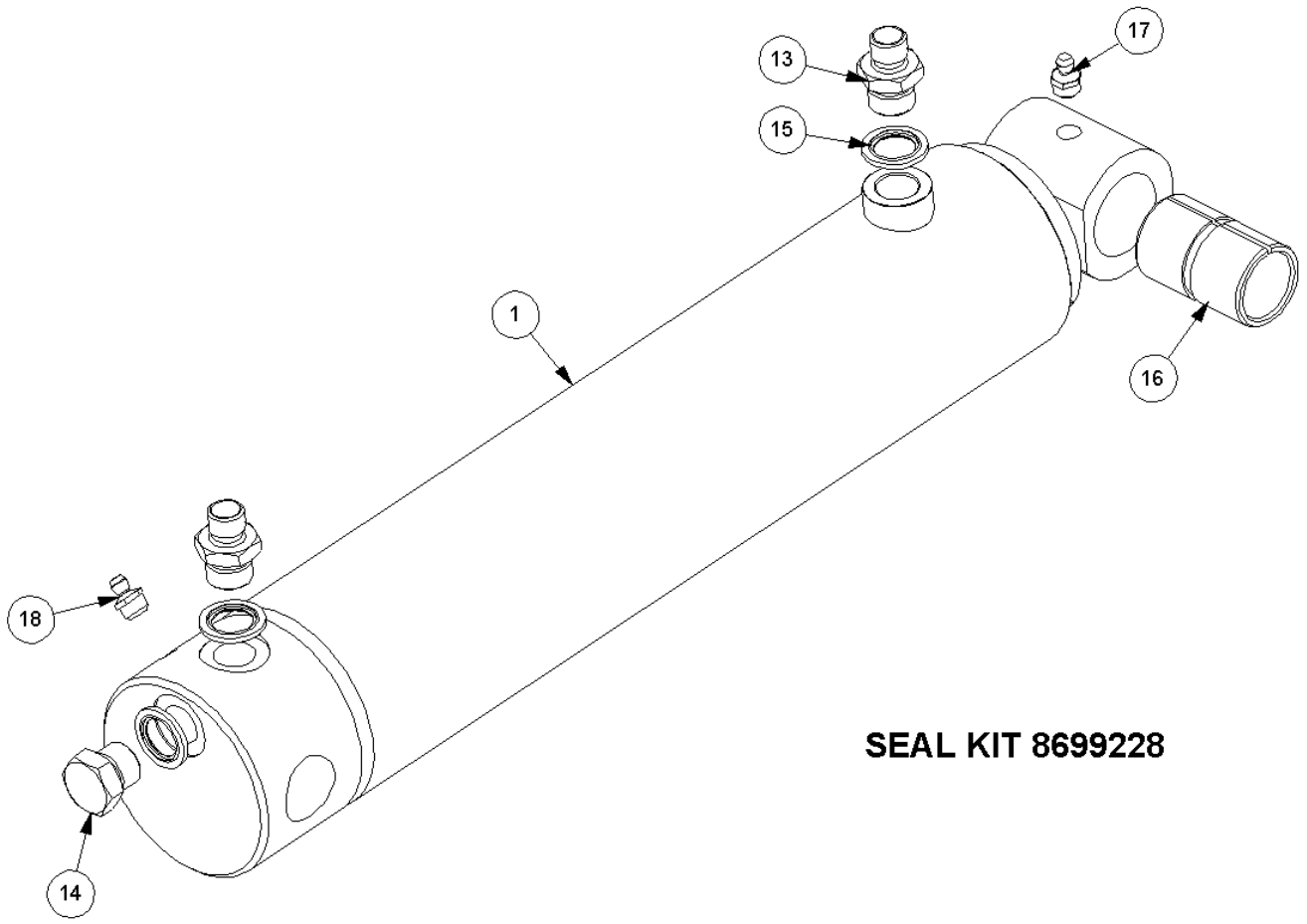
7434673 - GUARD MODULE

| Ref | Part No | Description | Qty |
|-----|----------|-------------|-----|
| 1 | 41196.92 | PLATE | 1 |
| 2 | 9413065 | SCREW & NUT | 4 |



7434723 - PA3430 HYD INST TI RHF

| Ref | Part No | Description | Qty |
|-----|----------|---------------|-----|
| 1 | 41014.12 | RAM | 1 |
| 2 | 41015.03 | RAM ASSY | 1 |
| 3 | 41322.02 | RAM | 1 |
| 4 | 7191295 | RAM | 1 |
| 5 | 8501469 | HOSE | 1 |
| 6 | 0904107 | CLIP | 4 |
| 7 | 7196045 | HOSE TIE | 15 |
| 8 | 22591.21 | HOSE SLEEVING | 1 |
| 9 | G3812119 | ADAPTOR | 2 |

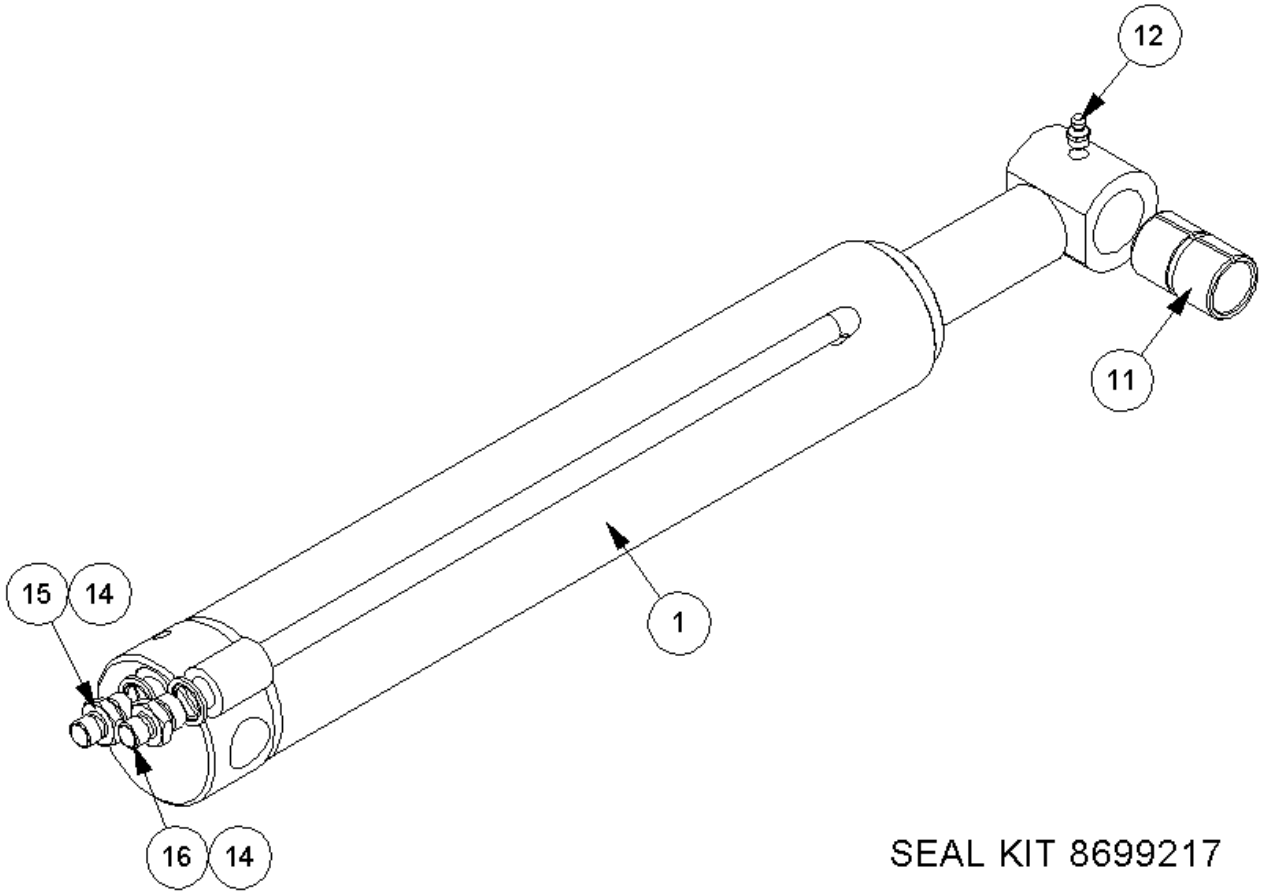


SEAL KIT 8699228

41014.12 C - RAM

| Ref | Part No | Description | Qty |
|-----|------------|----------------|-----|
| 1 | 41014.12AP | LIFT/REACH RAM | 1 |
| 1 | 41014.12P | RAM -PAINTED | 0 |
| 1 | 8699228 | SEAL KIT | 0 |
| 13 | 8130048 | RESTRICTOR | 2 |
| 14 | 8003001 | PLUG | 1 |
| 15 | 8650103 | SEAL | 3 |
| 16 | 7105050 | BUSH | 1 |
| 17 | 0901121 | GREASER | 1 |
| 18 | 0901124 | GREASER | 1 |

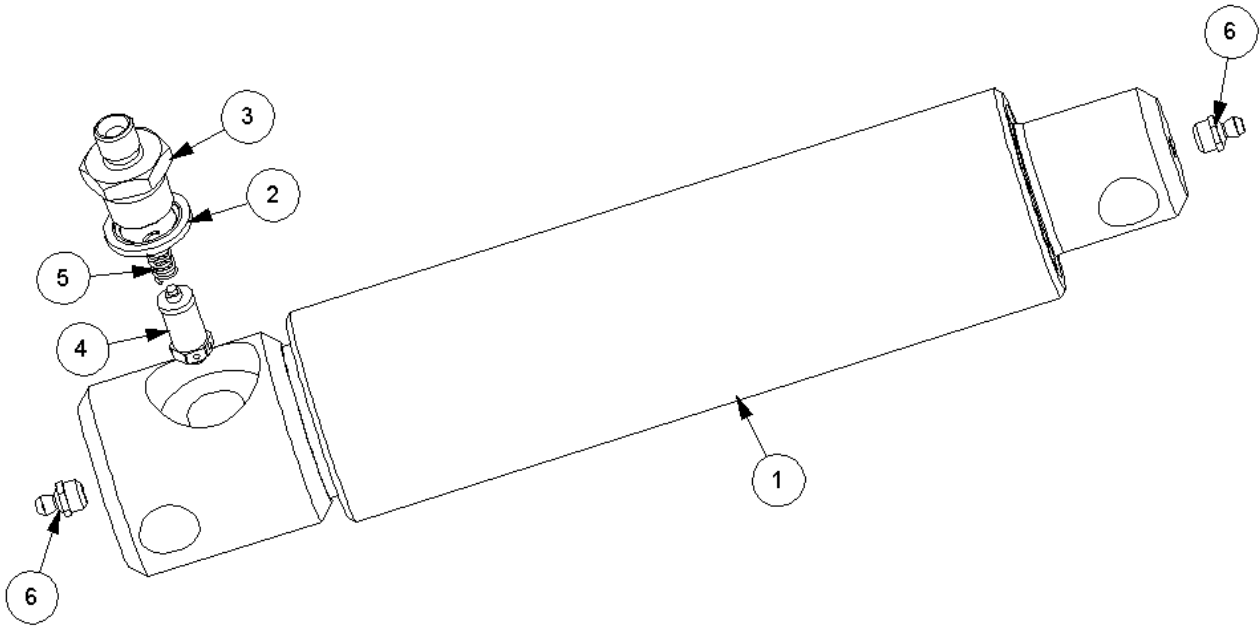
41015.03 B - RAM ASSY



SEAL KIT 8699217

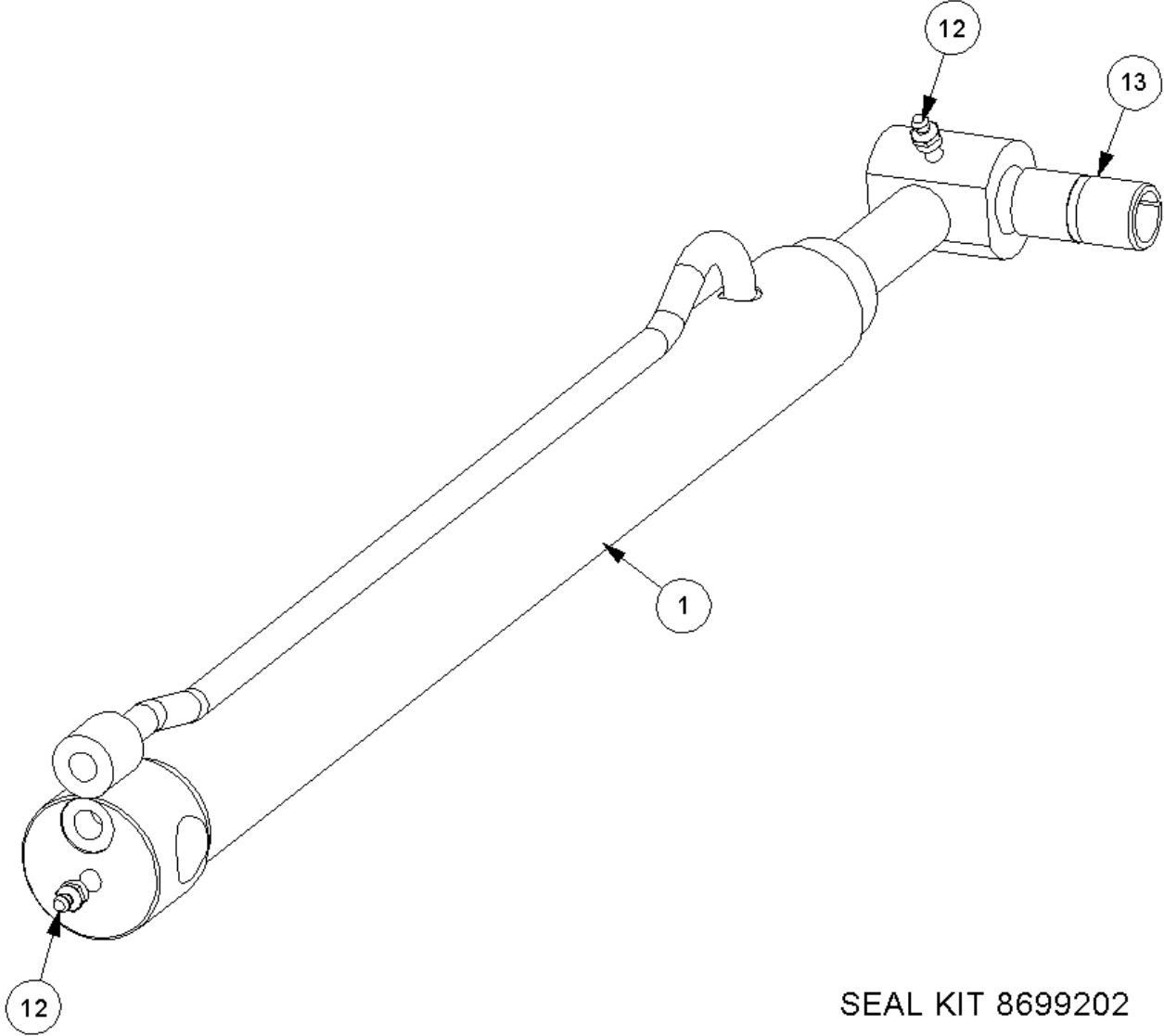
41015.03 B - RAM ASSY

| Ref | Part No | Description | Qty |
|-----|------------|--------------|-----|
| 1 | 41015.03AP | RAM ASSY | 1 |
| 1 | 41015.03P | RAM -PAINTED | 0 |
| 7 | 8699217 | SEAL KIT | 0 |
| 11 | 7105050 | BUSH | 1 |
| 12 | 0901121 | GREASER | 1 |
| 14 | 8650103 | SEAL | 2 |
| 15 | 8130046 | RESTRICTOR | 1 |
| 16 | 8130066 | RESTRICTOR | 1 |



41322.02 - RAM

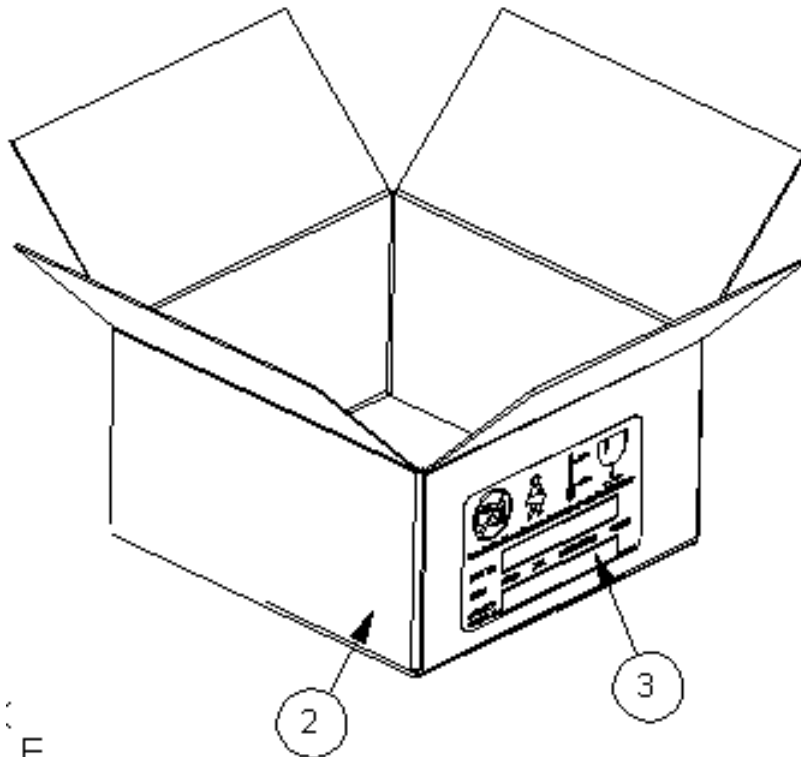
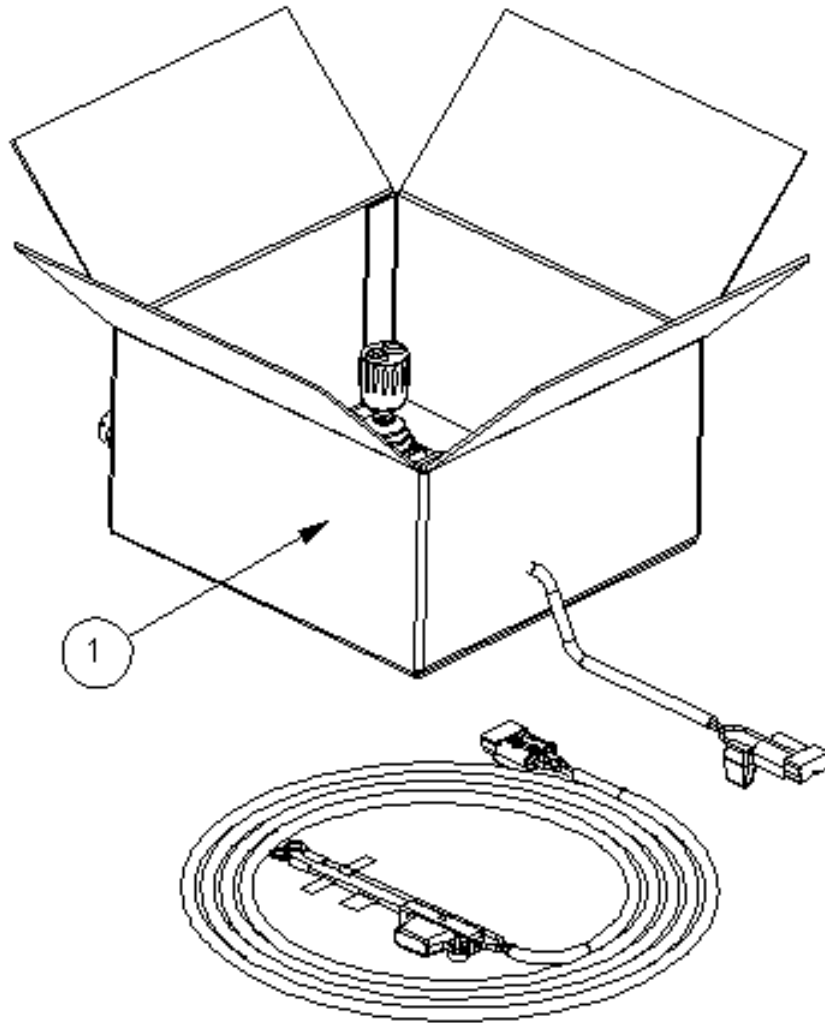
| Ref | Part No | Description | Qty |
|-----|-----------|--------------|-----|
| 1 | 7198292AP | RAM | 1 |
| 1 | 7198292P | RAM -PAINTED | 0 |
| 2 | 8650104 | SEAL | 1 |
| 3 | 8130083 | BODY | 1 |
| 4 | 8130189 | VALVE | 1 |
| 5 | 8116011 | SPRING | 1 |
| 6 | 0901121 | GREASER | 2 |



SEAL KIT 8699202

7191295 B - RAM

| Ref | Part No | Description | Qty |
|-----|-----------|--------------|-----|
| 1 | 7191295AP | RAM | 1 |
| 1 | 7191295P | RAM -PAINTED | 0 |
| 1 | 8699202 | SEAL KIT | 0 |
| 12 | 0901121 | GREASER | 2 |
| 13 | 1130002 | BUSH | 1 |

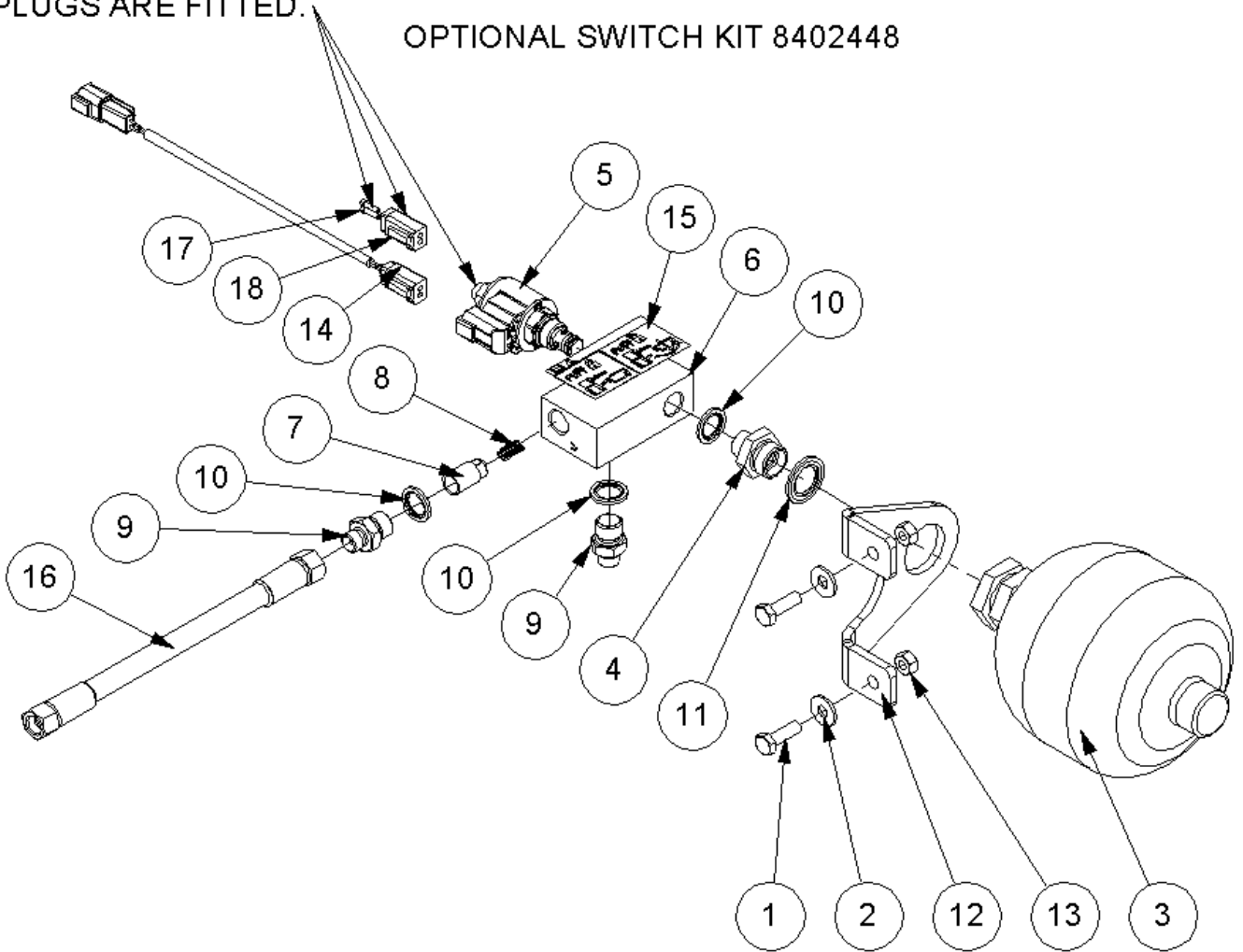


8402919 B - MINI XTC KIT

| Ref | Part No | Description | Qty |
|-----|----------|------------------------------|-----|
| 1 | 23880.11 | MINI CONTROLS | 1 |
| 2 | 42442.04 | MINI MOTION CONTROLS BRACKET | 1 |
| 3 | 2800243 | SCREW | 4 |
| 4 | 8402701 | BOX | 1 |
| 5 | 1290717 | DECAL | 1 |
| 6 | 1291169 | OPERATIONAL DECAL | 1 |
| 7 | 8402237 | LOOM | 1 |

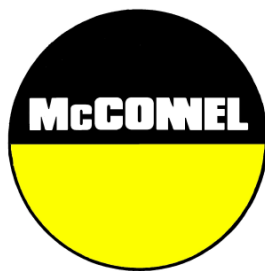
FOR USE ON NON-ELECTRIC MACHINES,
 OMIT LOOM AND OPERATE USING OVER
 RIDE BUTTON ON POPPET VALVE.
 ENSURE CONNECTOR AND SEALING
 PLUGS ARE FITTED.

OPTIONAL SWITCH KIT 8402448



8126376 - LIFT FLOAT KIT-PA3430/4330 BSP

| Ref | Part No | Description | Qty |
|----------------------------------|-----------|--------------------------------|-----|
| 1 | 9313054 | SCREW | 2 |
| 2 | 9100104 | WASHER | 2 |
| 3 | 8126042 | ACCUMULATOR | 1 |
| 4 | G2410380 | ADAPTOR | 1 |
| 5 | 8130223 | NC POPPET VALVE | 1 |
| 8130223 - NC POPPET VALVE | | | |
| Ref | Part No | Description | Qty |
| 1 | 8130220 | COIL FOR 8130223 | 1 |
| 2 | 8130221 | VALVE FOR 8130223 | 1 |
| 3 | 8130222 | COIL RETAINING NUT FOR 8130223 | 1 |
| 6 | 8126287 | BLOCK | 1 |
| 7 | 8126037 | PISTON | 1 |
| 8 | 8116011 | SPRING | 1 |
| 9 | 8581115 | ADAPTOR | 2 |
| 10 | 8650103 | SEAL | 3 |
| 11 | 8650322 | SEAL | 1 |
| 12 | 22852.52 | BRACKET | 1 |
| 13 | 9163004 | NUT | 2 |
| 14 | 41844.54 | ANGLE FLOAT LOOM 2M DT CONNECT | 1 |
| 15 | 1290061 | DECAL | 1 |
| 16 | 10.001.10 | HOSE | 1 |
| 17 | 45594.49 | SEALING PLUG | 2 |
| 18 | 45594.37 | DEUTSCH DT06-2S | 1 |



McConnel Limited, Temeside Works, Ludlow, Shropshire SY8 1JL. England.
Telephone: 01584 873131. Facsimile: 01584 876463. www.mcconnel.com