

# **SPARE PARTS MANUAL**

## **FOR BEST PERFORMANCE....**

### **USE ONLY McCONNEL SPARE PARTS**

To be assured of the latest design improvements purchase your genuine replacements from the original equipment manufacturer **McConnel Ltd.** through your local dealer or stockist.

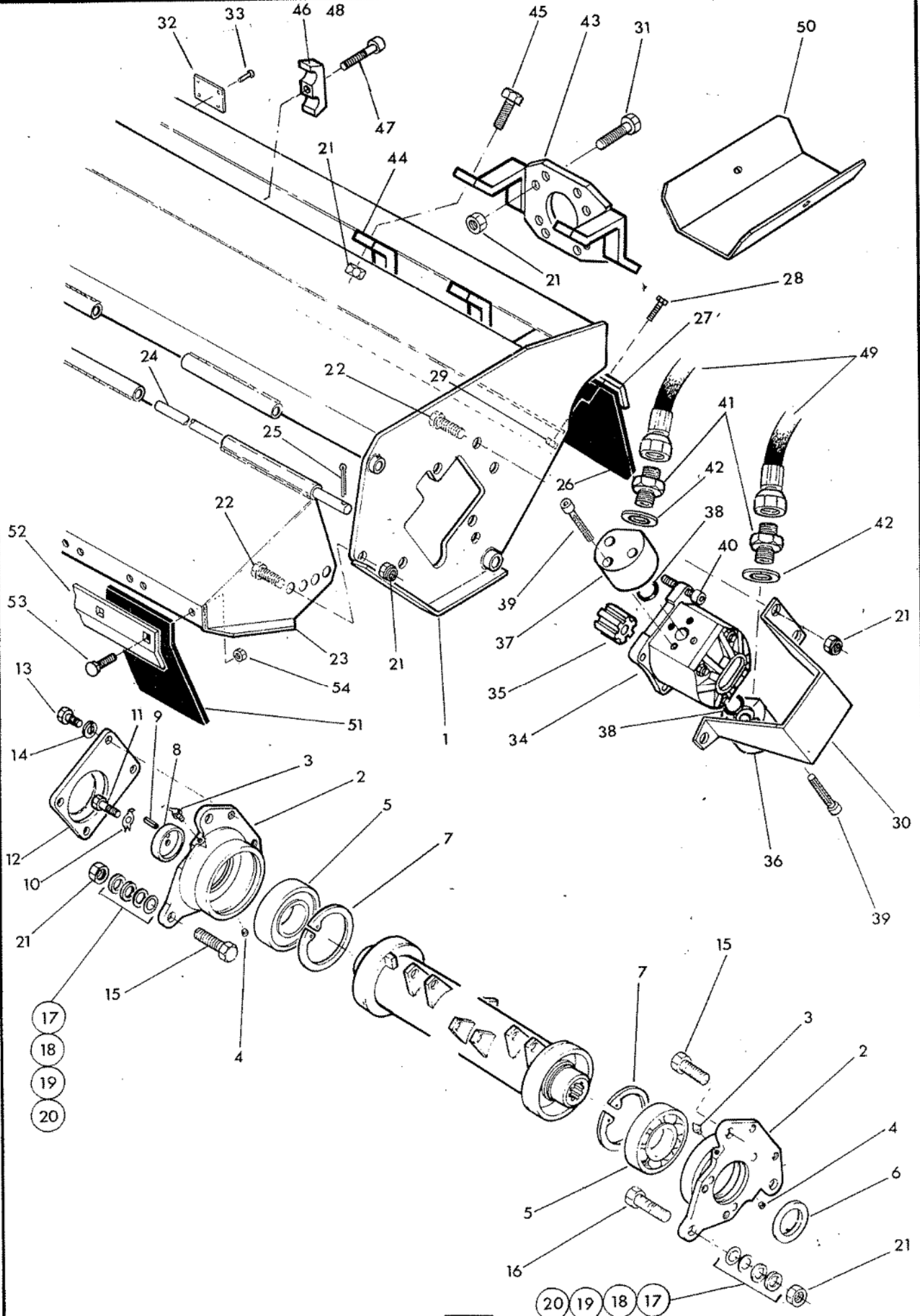
Always quote machine type and serial number as well as the part number.

Design improvement may have altered some of the parts listed in this manual - The latest part will always be supplied when it is interchangeable with an earlier one.

CASING



McCONEL





Ref	Part No	Qty	Description
<b><u>FLAIL HEAD CASING</u></b>			
1	71 98 327	1	Flail casing
2	71 90 261	2	Bearing Housing
3	09 01 124	2	Greaser
4	85 82 041	2	Plug
5	06 00 018	2	Ball bearing
6	71 90 015	1	Motor locating washer
7	71 90 022	2	Internal circlip
8	71 90 025	1	Clamp washer
9	04 21 608	1	Spring dowel
10	71 90 024	1	Tabwasher
11	93 13 076	1	Setscrew
12	71 90 292	1	Cover Plate
13	93 13 045	4	Setscrew
14	91 00 205	4	Spring washer
15	03 11 126	5	Setscrew
16	03 11 146	1	Setscrew
17	81 21 044	as req	Shim
18	81 21 043	"	Shim
19	71 91 099	"	Shim
20	71 91 098	"	Shim
21	01 41 006	18	Self locking nut
22	03 11 106	4	Setscrew
23	71 91 352	1	Front hood
24	71 91 116	1	Hood pivot pin
25	95 01 406	1	Split pin
26	71 91 361	1	Rear flap
27	71 91 362	1	Clamp strip
28	93 13 055	10	Setscrew
29	91 43 005	10	Self locking nut
30	71 91 283	1	Motor cover
31	02 11 186	4	Bolt
32	13 35 246	1	Serial No. Plate
33	71 03 230	1	Pop rivet
34	83 01 281	1	Hydraulic motor
35	71 90 573	1	Drive coupling
36	71 91 056	1	Motor connection - L.hand
37	71 91 055	1	Motor connection - R.hand
38	86 00 121	1	'O' ring
39	93 00 014	6	Capscrew
40	93 00 144	4	Capscrew
41	85 81 136	2	Union
42	86 50 106	2	Bonded seal
43	71 98 330	1	Clamp
44	71 98 332	2	Clamp
45	02 11 206	4	Bolt
46	71 98 078	1	Hose clamp
47	92 13 084	1	Capscrew
48	91 00 104	1	Washer
49	85 18 095	2	Hose 3/4 BSP x 81" long SF-SF
50	71 98 333	1	Hose tray

**OPTION**

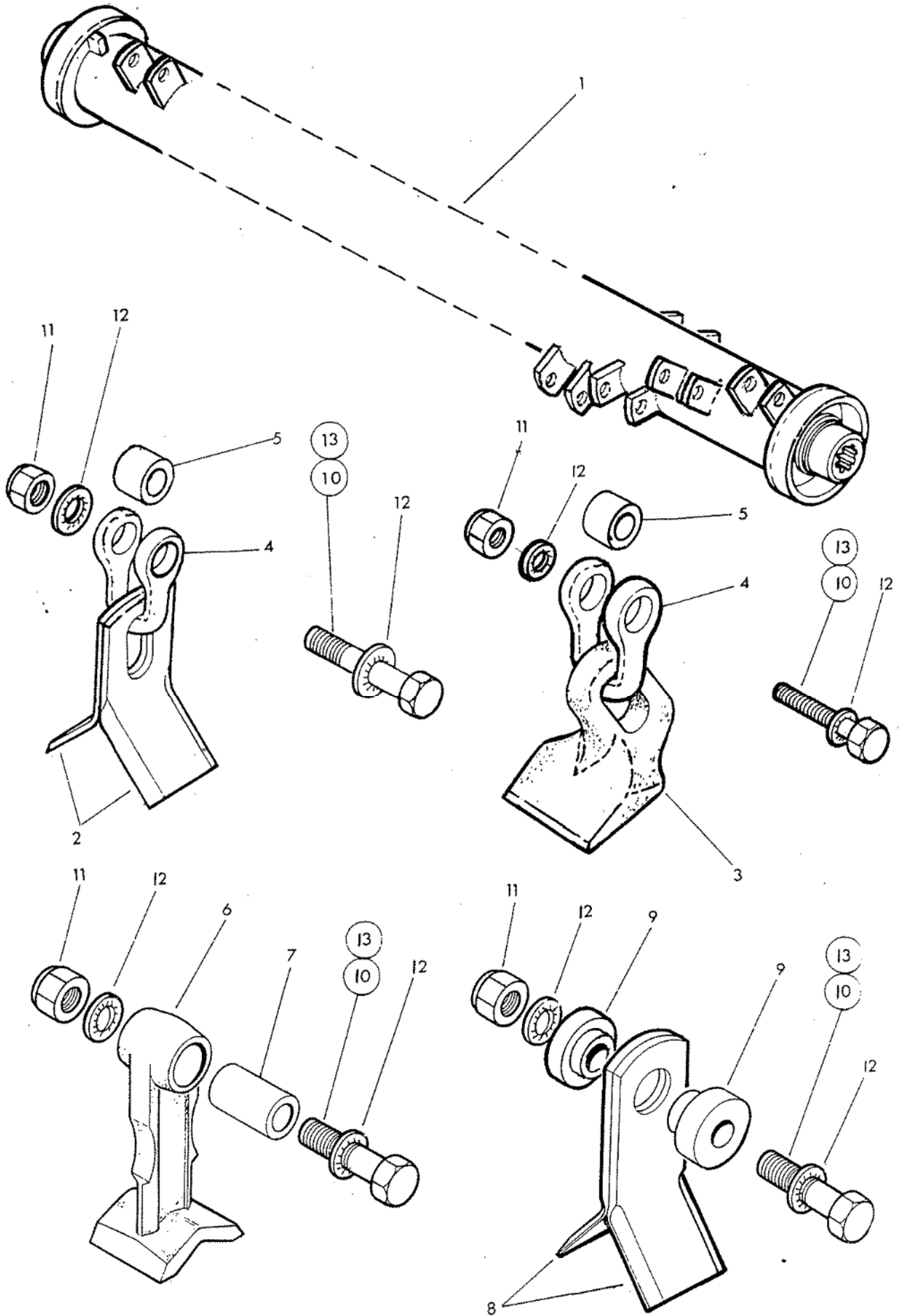
	72 90 375	1	Front flap kit
	72 90 053	8	Front flap
51	71 90 304	1	Clamp
52	92 93 054	16	Bolt cup square
53	91 43 004	16	Self locking nut
54			

86 99 236 SEAL KIT for hydraulic motor

ROTOR & FLAIL OPTIONS



**McCORMICK**





Ref Part No Qty Description

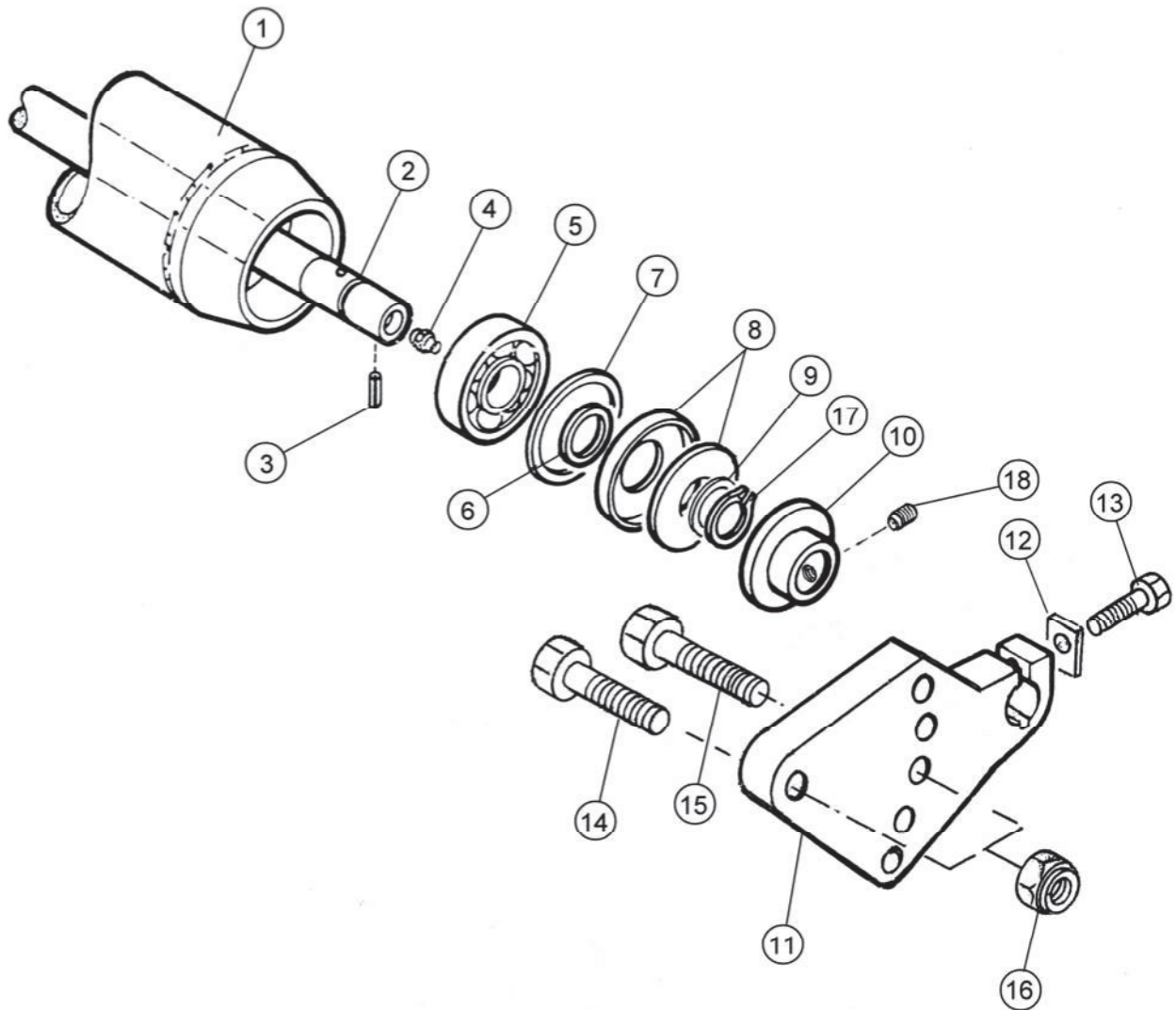
**ROTOR AND FLAILS OPTIONS**

1	71 91 382	1	Rotor
2	71 90 166	48	Flail
3	71 90 462	24	Flail
4	71 91 138	24	Shackle
5	71 91 139	24	Spacer
6	71 91 320	24	Flail
7	71 91 054	24	Spacer
8	71 90 315	48	Flail
9	71 91 095	48	Bush
10	71 91 109	22	Bolt - special
11	01 41 005	24	Self locking nut
12	01 00 305	48	Internal shakeproof washer
13*	71 14 082	2	Bolt - special

\* Assembly note - Used in end lugs only

# ROLLER ASSEMBLY

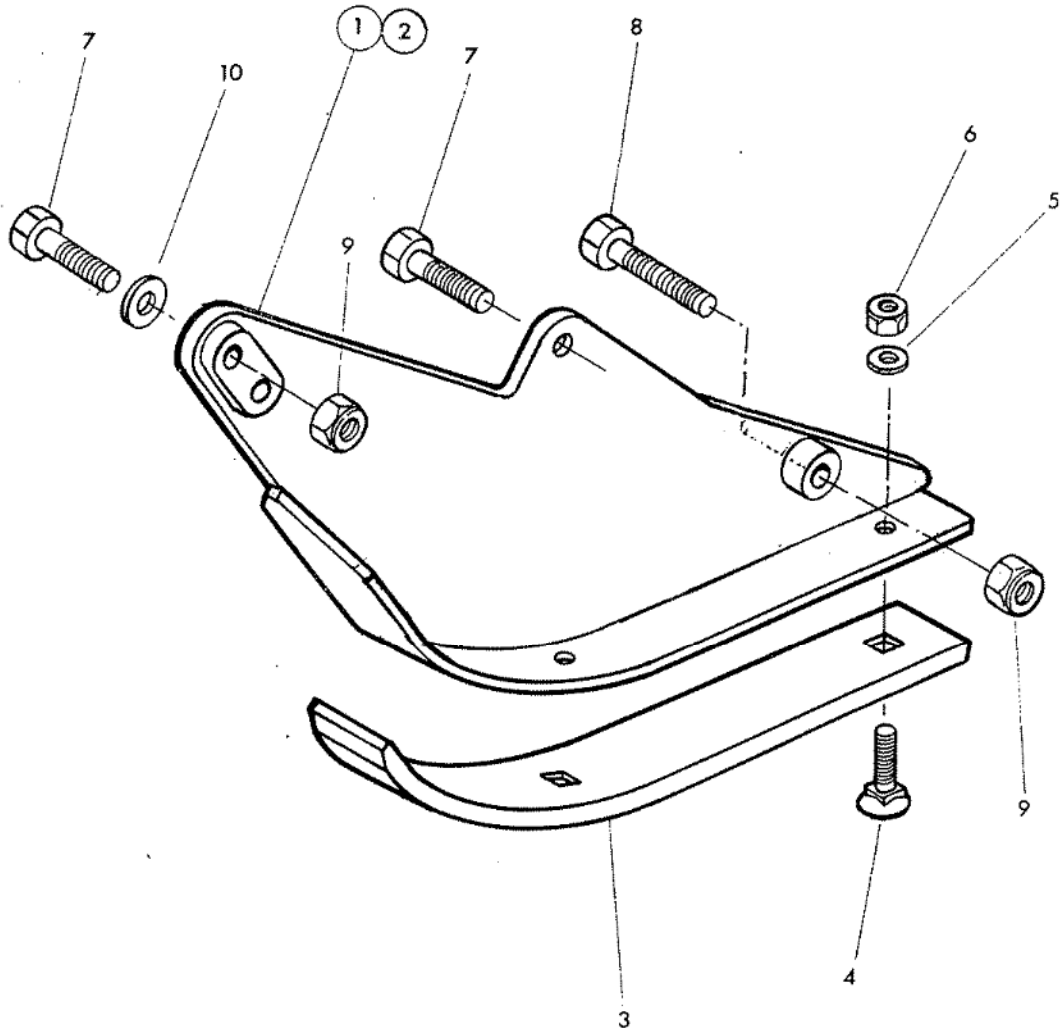
Module:  
7198392 – Roller Assembly





**ROLLER ASSEMBLY**

REF.	QTY.	PART No.	DESCRIPTION
		7198392	ROLLER ASSEMBLY
1	1	7191359	ROLLER
2	1	7191360	AXLE
3	1	0425408	SPRING DOWEL
4	2	0901121	GREASER - STRAIGHT
5	2	0600088	BEARING
6	2	7191092	SPACER WASHER - SMALL
7	2	7191093	SPACER WASHER - LARGE
8	2	7191091	SEALING WASHER SET
9	as req'd	7191107	ROLLER SHIM
10	2	7191285	ROLLER SPACER
11	2	7191378	ROLLER BRACKET
12	2	41777.01	TAB WASHER
13	2	0211165	BOLT
14	2	0211166	SETSCREW
15	2	0211186	SETSCREW
16	4	0141006	SELF-LOCKING NUT
17	2	0401225	EXTERNAL CIRCLIP
18	1	9300146	GRUBSCREW







Ref.	Part No.	Qty.	Description
			SKID KIT - Option
1	71 98 368	1	Skid - L.Hand
2	71 98 369	1	Skid - R.Hand - not illus.
3	72 90 391	2	Wear skid
4	60 12 034	6	Tine bolt
5	01 00 104	6	Plain washer
6	01 42 004	6	Self locking nut
7	03 11 106	4	Set screw
8	03 11 126	2	Set screw
9	01 41 006	4	Self locking nut
10	01 00 106	2	Plain washer



**ATTENTION**



Recommended P.T.O.  
speed 500 r.p.m.

Vitesse recommandee  
500 T/min a la  
prise de force.

**DANGER**

Rotating cutters under here.

**DANGER**

Rotor ne pas approcher.

**KEEP BOLTS TIGHT**

Check bolt tightness after 1 hour,  
4 hours, 10 hours and thereafter daily.

**MAINTENEZ LES  
BOULONS SERRES**

Et controlez serrage apres 1 heure,  
4 heures, 10 heures puis chaque jour.



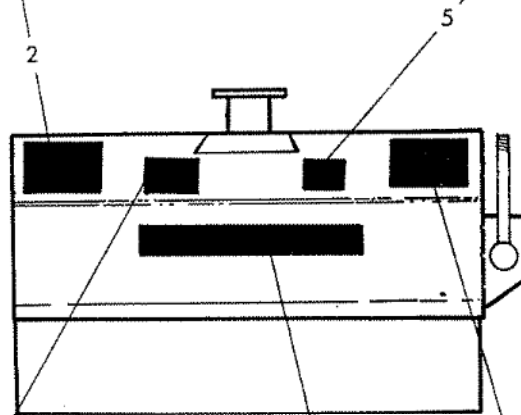
**FLAIL PARTS INFORMATION**

McCormel Flail Mowers use dynamically balanced and mated system components for Cutter Shafts (Rotors), Knives (Flails), Knife Hangers (Shackles), Bolts, Bushes, Rollers, Drivetrain Components, Bearings Belts and Belt Pulleys. McCormel parts are made and tested to meet close-tolerance specifications of balance, quality and consistency that assure long, trouble-free service. "Will-Fit" parts do not ordinarily meet McCormel Standards and could reduce Mower performance, void warranties, and present an increase in the safety hazard potential.

**DON'T GAMBLE!**

USE GENUINE McCORMEL SERVICE PARTS  
See your McCormel dealer

**BEWARE OF FLYING DEBRIS. KEEP PEOPLE AWAY.  
ATTENTION AUX PROJECTIONS. SE TENIR A L'ECART.**



**McCORMEL**

**GUARDING REQUIREMENTS  
EQUIPMENTS DE SECURITE**

**DANGER**

CUTTING BLADES

THROWN OBJECTS

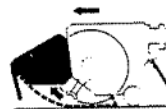


**KEEP AWAY - ROTATING BLADES**

SERIOUS INJURY OR DEATH CAN RESULT  
FROM THROWN OBJECTS OR BLADE CONTACT

- \* STOP MOWING IF PERSONS ARE NOT CLEAR OF THROWN OBJECTS
- \* DO NOT STAND ON OR NEAR MACHINE WHEN IN OPERATION
- \* DO NOT OPERATE WITH DEFLECTORS OR GUARDS REMOVED

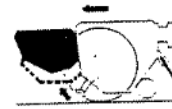
**GROUND CUTTING  
COUPE DE SOL**



Always cut upwards.  
Roller set below flails.  
Skids recommended

Toujours couper en aspiration.  
Rouleau regle sous les fleaux.  
Patins recommandes.

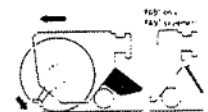
**HEDGE CUTTING  
TAILLE DE HAIES**



With flails cutting upwards.  
Roller set above flails.

Les fleaux travaillant en  
aspiration.  
Rouleau regle au dessus des  
fleaux.

**HEDGE CUTTING  
TAILLE DE HAIES**



With flails cutting downwards.  
Roller set above flails.

Les fleaux travaillant en attaque.  
Rouleau regle au dessus des fleaux.



Ref	Part No.	Qty	Description
			STICKERS
1	12 90 255	1	McConnel
2	12 90 377	1	Flail head instructions
3	12 90 341	1	Flail head guarding
4	0075 6485	1	Rotating blade warning
5	12 90 392	1	Use McConnel spares







McConnel Limited, Temeside Works, Ludlow, Shropshire SY8 1JL. England.  
Telephone: 01584 873131. Facsimile: 01584 876463.