

**TWOSE**  
1.2m & 1.5m Belt Drive  
**FLAILHEADS**  
Parts Manual

Publication 614

October 2009 (Rev.03.07.15)





*For best performance ...*

**USE ONLY GENUINE TWOSE SERVICE PARTS**

*To be assured of the latest design improvements purchase your  
'Genuine Replacements' from the 'Original Equipment Manufacturer'*

**Twose of Tiverton Limited**

*Through your local Dealer or Stockist*

**Always quote:**

- *Machine Type*
- *Serial Number*
- *Part Number*

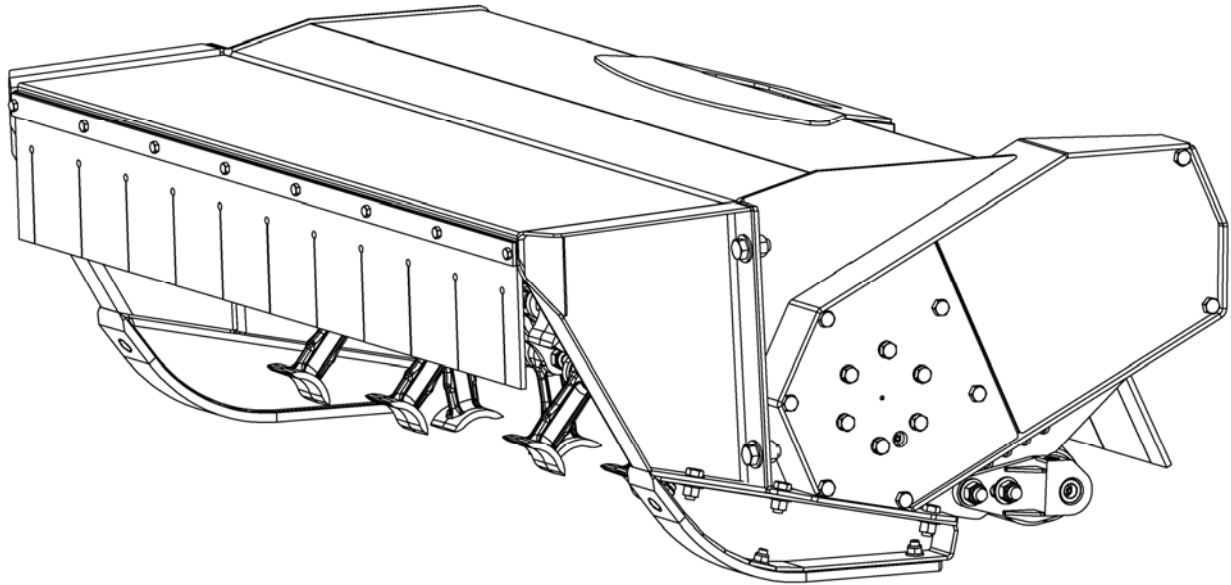
*Design improvements may alter some of the parts listed in this manual –  
the latest part will always be supplied when it is interchangeable with an earlier one.*



# INDEX

	<b>Page No.</b>
Flailhead Builds	2
Flailhead Modules	3
1.2m Head Casing Assembly	4
1.5m Head Casing Assembly	5
Motor Assembly – <i>Standard Power</i>	6
Motor Assembly – <i>High Power</i>	7
Belt Drive Assembly	8
Rotor Assemblies	10
Rotor Lugs – ‘ <i>Wrap Around</i> ’ Rotors	12
Flails & Fixing	14
1.2m Roller Assembly (4’’)	15
1.5m Roller Assembly (4’’)	16
1.2m Roller Assembly (5½’’)	17
R/H Conversion Kit – <i>Standard Power Builds</i>	18
R/H Conversion Kit – <i>High Power Builds</i>	19
Skid Kit Assembly	20
Decal Kit	21

**FLAILHEAD BUILDS**



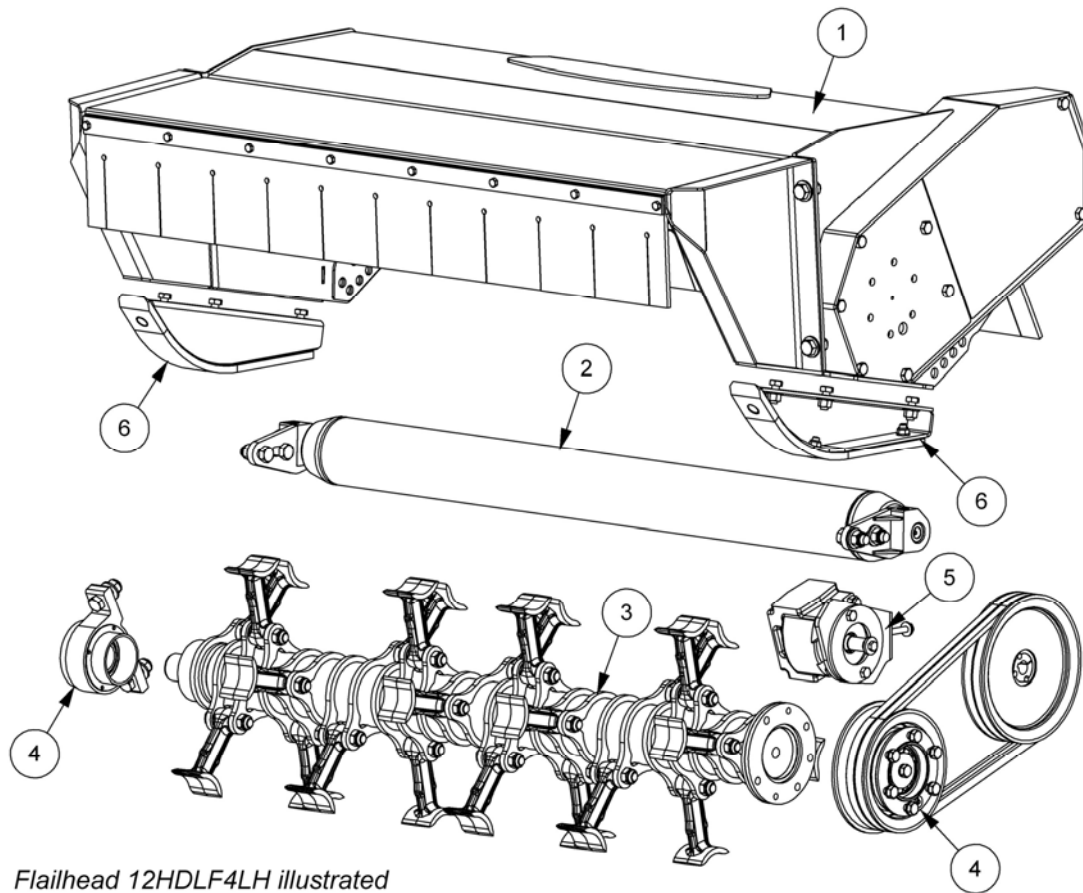
**STANDARD POWER HEADS**

<b>PART No.</b>	<b>SPECIFICATION</b>	
12HDLF4LH	1.2M FLAILHEAD (LUMP FLAIL) 4" ROLLER	L/H Build
12HDLF4RH	1.2M FLAILHEAD (LUMP FLAIL) 4" ROLLER	R/H Build
12HDLP4LH	1.2M FLAILHEAD (LUMP FLAIL) 4" ROLLER	L/H Build
12HDLP4RH	1.2M FLAILHEAD (LUMP FLAIL) 4" ROLLER	R/H Build
12HDCF4LH	1.2M FLAILHEAD (COMP. FLAIL) 4" ROLLER	L/H Build
12HDBB4LH	1.2M FLAILHEAD (GRASS FLAIL) 4" ROLLER	L/H Build
12HDBB4RH	1.2M FLAILHEAD (GRASS FLAIL) 4" ROLLER	R/H Build
12HDBB5LH	1.2M FLAILHEAD (GRASS FLAIL) 5½" ROLLER	L/H Build
12HDBB5RH	1.2M FLAILHEAD (GRASS FLAIL) 5½" ROLLER	R/H Build
12HDBF4LH	1.2M FLAILHEAD (BOOT FLAIL) 4" ROLLER	L/H Build
12HDRC4RH	1.2M ROLLICOUP FLAILHEAD 4" ROLLER	R/H Build

**HIGH POWER HEADS**

<b>PART No.</b>	<b>SPECIFICATION</b>	
12HDLF4LH2	1.2M HP FLAILHEAD (LUMP FLAIL) 4" ROLLER	L/H Build
12HDLF4RH2	1.2M HP FLAILHEAD (LUMP FLAIL) 4" ROLLER	R/H Build
15HDLF4LH2	1.5M HP FLAILHEAD (LUMP FLAIL) 4" ROLLER	L/H Build
15HDLF4RH2	1.5M HP FLAILHEAD (LUMP FLAIL) 4" ROLLER	R/H Build
12HDCF4LH2	1.2M HP FLAILHEAD (COMP. FLAIL) 4" ROLLER	L/H Build
12HDBB4LH2	1.2M HP FLAILHEAD (GRASS FLAIL) 4" ROLLER	L/H Build
12HDBB4RH2	1.2M HP FLAILHEAD (GRASS FLAIL) 4" ROLLER	R/H Build
12HDBB5LH2	1.2M HP FLAILHEAD (GRASS FLAIL) 5½" ROLLER	L/H Build
12HDBB5RH2	1.2M HP FLAILHEAD (GRASS FLAIL) 5½" ROLLER	R/H Build
15HDBB4LH2	1.5M HP FLAILHEAD (GRASS FLAIL) 4" ROLLER	L/H Build
15HDBB4RH2	1.5M HP FLAILHEAD (GRASS FLAIL) 4" ROLLER	R/H Build
12HDBF4LH2	1.2M HP FLAILHEAD (BOOT FLAIL) 4" ROLLER	L/H Build
12HDRC4RH2	1.2M HP ROLLICOUP FLAILHEAD 4" ROLLER	R/H Build

**FLAILHEAD MODULES**



*Flailhead 12HDLF4LH illustrated*

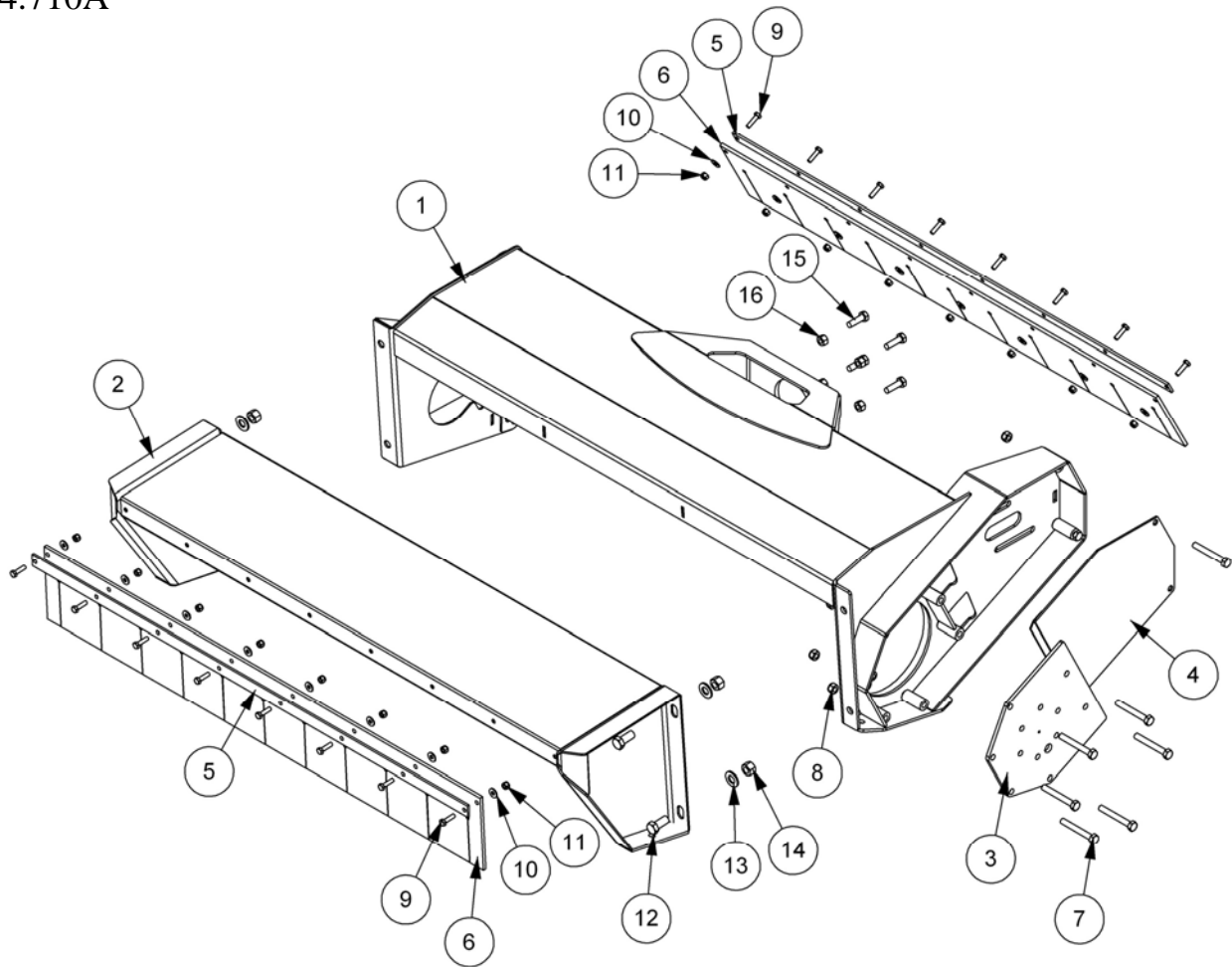
REF.	QTY.	PART No.	DESCRIPTION
1	1	184.710A	1.2M CASING MODULE
	1	184.710B	1.5M CASING MODULE
2	1	184.711A	1.2M ROLLER MODULE (4")
	1	184.711B	1.5M ROLLER MODULE (4")
	1	184.711C	1.2M ROLLER MODULE (5½")
3	1	184.712AS	1.2M ROTOR ASSEMBLY (LUMP FLAIL)
	1	184.712BS	1.5M ROTOR ASSEMBLY (LUMP FLAIL)
	1	184.712CS	1.2M ROTOR ASSEMBLY (COMPETITION FLAIL)
	1	184.732S	1.2M ROTOR ASSEMBLY (GRASS FLAIL)
	1	184.734S	1.5M ROTOR ASSEMBLY (GRASS FLAIL)
	1	184.733S	1.2M ROTOR ASSEMBLY (BOOT FLAIL)
	1	184.735	1.2M ROTOR ASSEMBLY (LUMP FLAIL)
	1	184.620S	1.2M ROLLICOUP ROTOR ASSEMBLY
4	1	184.714	DRIVE MODULE
5	1	184.715A	MOTOR MODULE - Standard Power Builds
	1	184.715B	MOTOR MODULE - High Power Builds
6	1	184.717	SKID KIT MODULE
7	* 1	184.615.900	DECAL KIT
8	* 1	184.716A	R/H CONVERSION KIT - Standard Power Builds
	1	184.716B	R/H CONVERSION KIT - High Power Builds

\* Not Shown

**Note: Modules cannot be purchased as an item.**

## 1.2M HEAD CASING ASSEMBLY

Module:  
184.710A

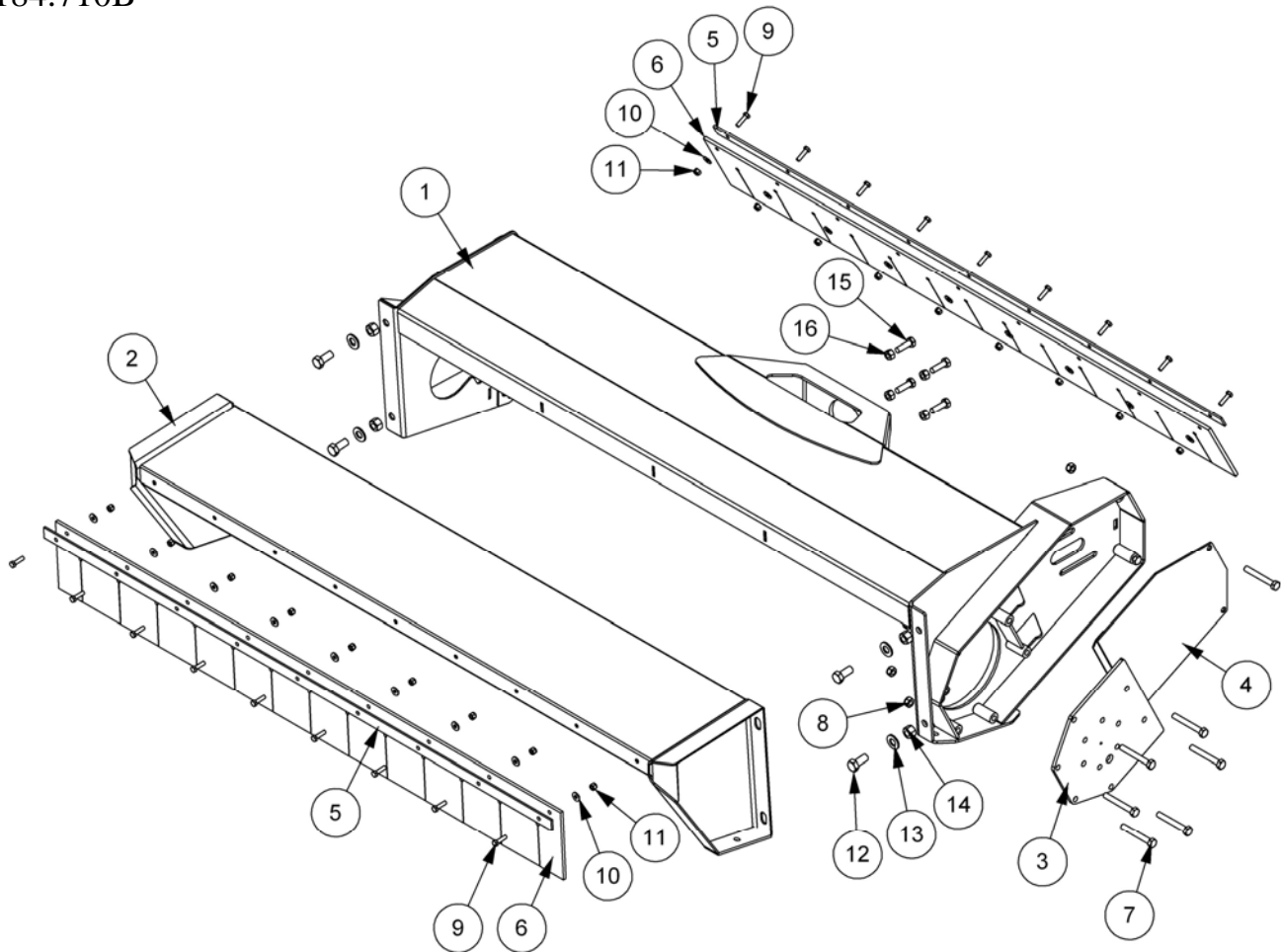


REF.	QTY.	PART No.	DESCRIPTION
		<b>184.710A</b>	<b>1.2M CASING ASSEMBLY</b>
1	1	184.706A	1.2M CASING (BELT DRIVE)
2	1	184.707E	HOOD (1.2M HEAD)
3	1	184.708	BEARING MOUNTING PLATE
4	1	184.723	BELT DRIVE COVER
5	2	184.617A	CLAMP STRIP (1.2M HEAD)
6	2	1840476F	CURTAIN (1.2M HEAD)
7	8	9213186	BOLT
8	8	9163006	NYLOC NUT
9	16	9313064	SETSCREW
10	16	9100104	FLAT WASHER
11	16	9163004	NYLOC NUT
12	4	9313077	SETSCREW
13	4	0100106	FLAT WASHER
14	4	9143007	SELF-LOCKING NUT
15	4	9313086	SETSCREW
16	4	9143006	SELF-LOCKING NUT



## 1.5M HEAD CASING ASSEMBLY

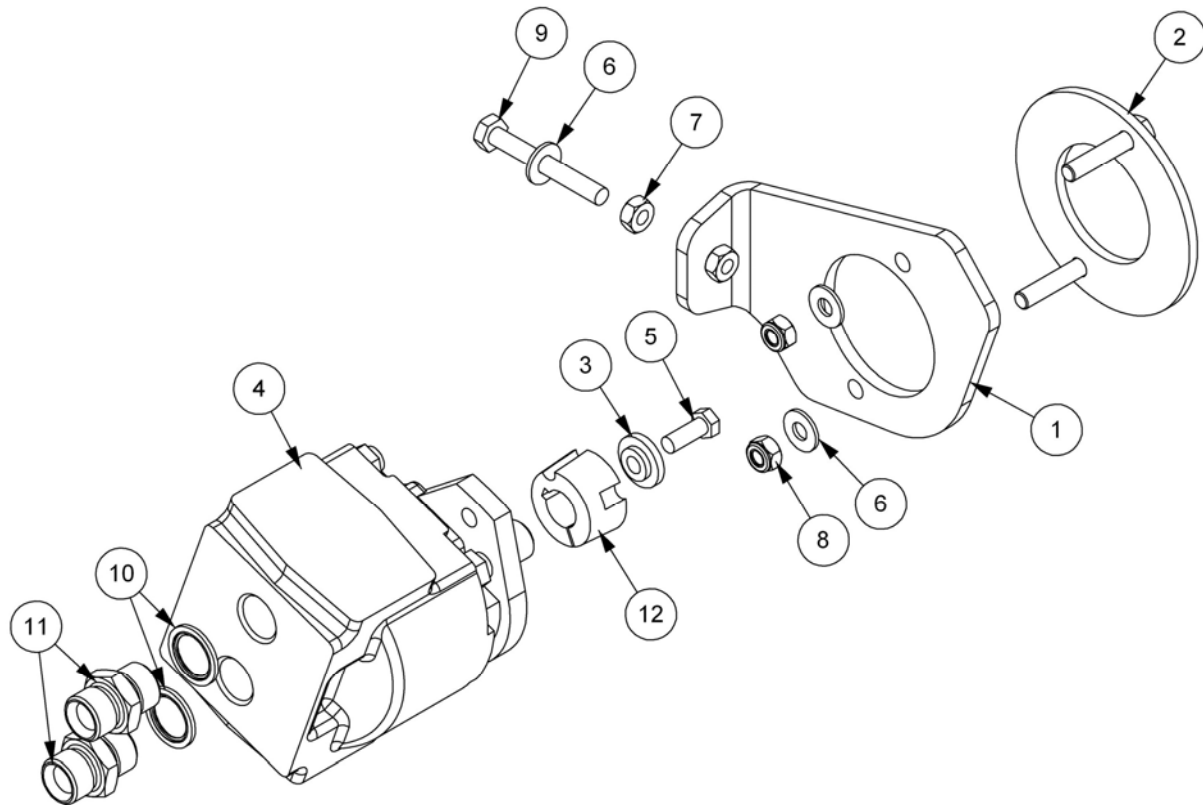
Module:  
184.710B



REF.	QTY.	PART No.	DESCRIPTION
		<b>184.710B</b>	<b>1.5M CASING ASSEMBLY</b>
1	1	184.706B	1.5M CASING (BELT DRIVE)
2	1	184.707F	HOOD (1.5M HEAD)
3	1	184.708	BEARING MOUNTING PLATE
4	1	184.723	BELT DRIVE COVER
5	2	184.617B	CLAMP STRIP (1.5M HEAD)
6	2	1840581	CURTAIN - (1.5M HEAD)
7	8	9213186	BOLT
8	8	9163006	NYLOC NUT
9	18	9313064	SETScrew
10	18	9100104	FLAT WASHER
11	18	9163004	NYLOC NUT
12	4	9313077	SETScrew
13	4	0100106	FLAT WASHER
14	4	9143007	SELF-LOCKING NUT
15	4	9313086	SETScrew
16	4	9143006	SELF-LOCKING NUT

**MOTOR ASSEMBLY – Standard Power**

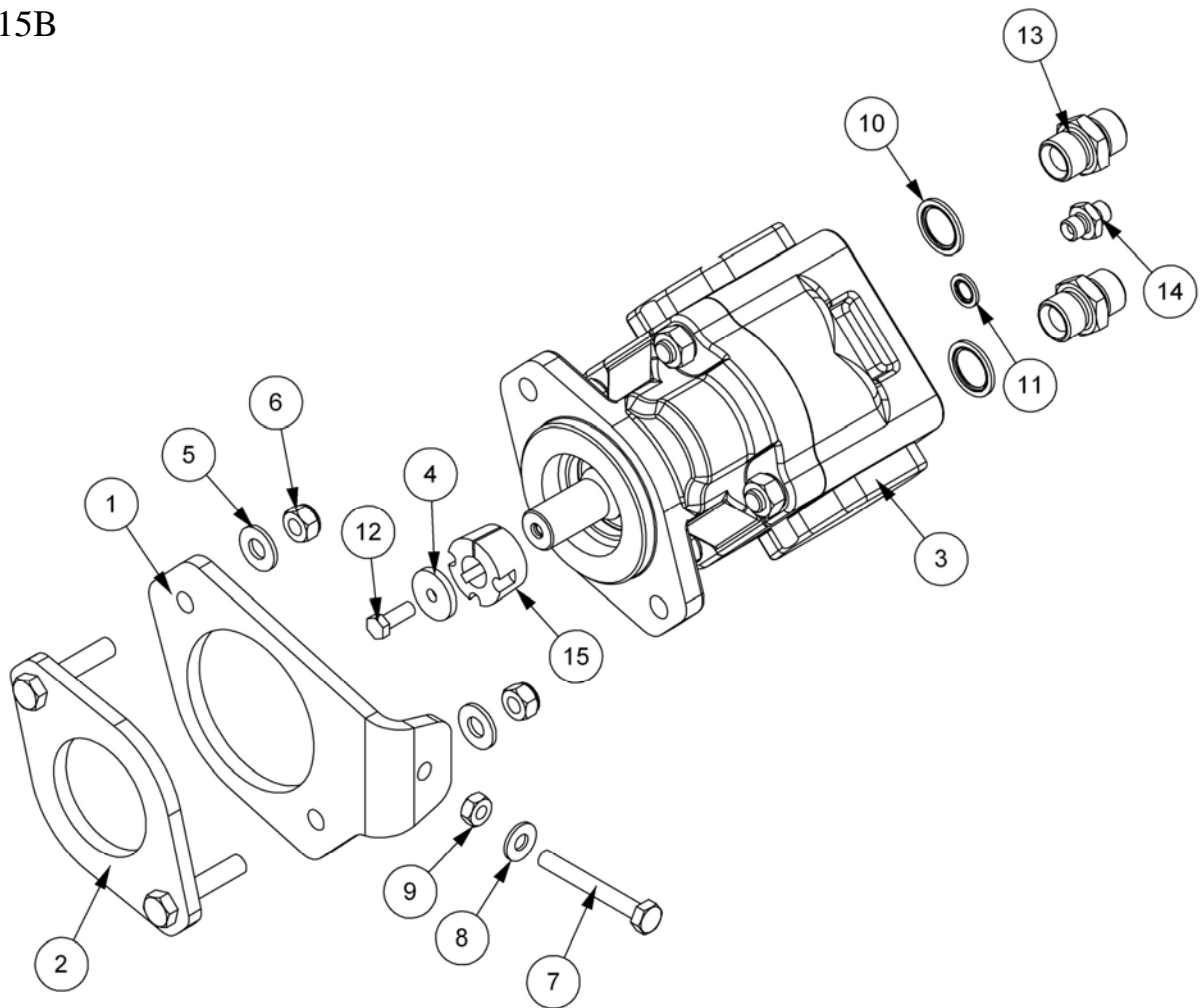
Module:  
184.715A



REF.	QTY.	PART No.	DESCRIPTION
		<b>184.715A</b>	<b>MOTOR MODULE</b>
1	1	184.724A	MOTOR PLATE
2	1	184.463	MOTOR DISC
3	1	199.300	WASHER
4	1	T8027	HYDRAULIC GEAR MOTOR
5	1	0311083	SCREW
6	3	9100105	FLAT WASHER
7	1	9113005	PLAIN NUT
8	2	9163005	NYLOC NUT
9	1	T8172	SETSCREW
10	2	8650106	BONDED SEAL
11	2	8581136	ADAPTOR
12	1	184.691	TAPERLOCK

**MOTOR MODULE – High Power**

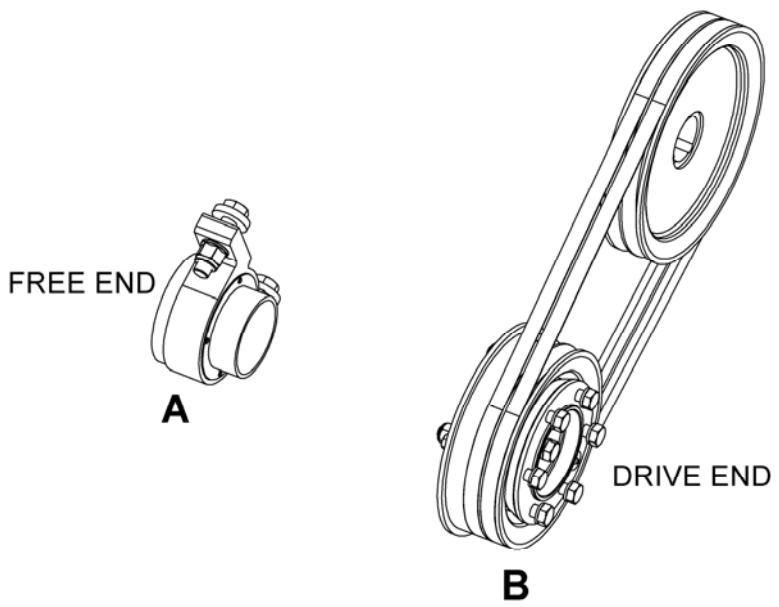
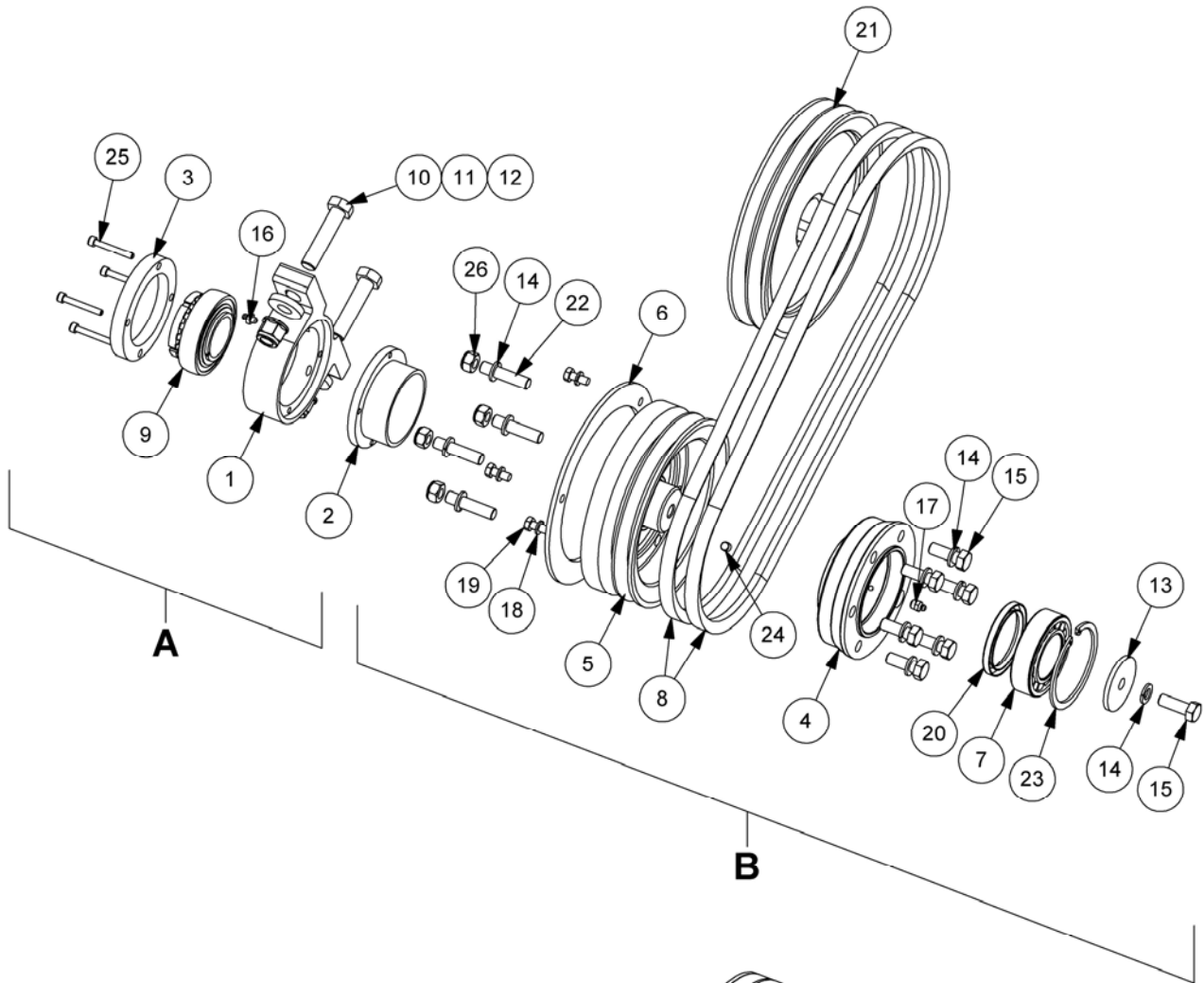
Module:  
184.715B



REF.	QTY.	PART No.	DESCRIPTION
<b>184.715B</b>			<b>MOTOR MODULE (HP)</b>
1	1	184.724B	MOTOR PLATE
2	1	184.725B	CLAMP PLATE
3	1	8301315	HYDRAULIC MOTOR (HP)
4	1	184.603	RETAINING WASHER
5	2	9100106	FLAT WASHER
6	2	9163006	NYLOC NUT
7	1	T8172	SETSCREW
8	1	9100105	FLAT WASHER
9	1	9113005	PLAIN NUT
10	2	8650106	BONDED SEAL
11	1	8650102	BONDED SEAL
12	1	0311083	SCREW
13	2	8581136	ADAPTOR
14	1	8581169	ADAPTOR
15	1	7990.2	TAPERLOCK
<b>8699263</b>			<b>MOTOR SEAL KIT</b>

# BELT DRIVE ASSEMBLY

Module:  
184.714

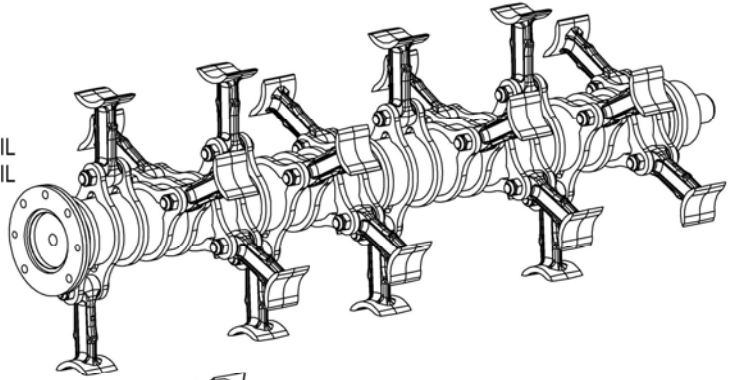


**BELT DRIVE ASSEMBLY**

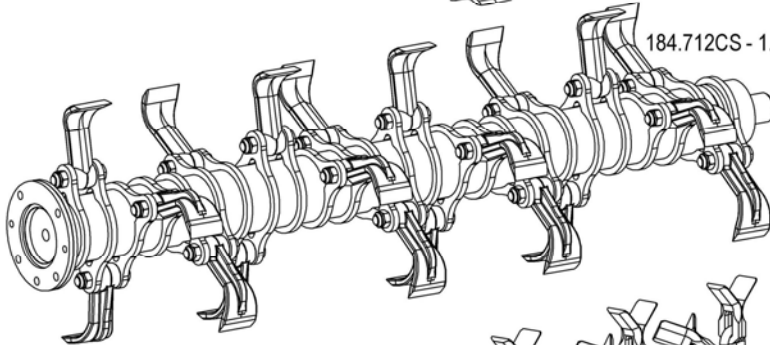
REF.	QTY.	PART No.	DESCRIPTION
		<b>184.714</b>	<b>DRIVE MODULE (BELT DRIVE)</b>
1	1	192.024	BEARING HOUSING
2	1	192.026	BEARING SHIELD
3	1	192.025	BEARING CAP
4	1	184.705	BEARING HOUSING
5	1	184.726	ROTOR PULLEY
6	1	184.636	GRASS RING
7	1	T7840	BEARING
8	2	T7692	VEE BELT
9	1	T7941	SELF-LUBE BEARING C/W SLEEVE
10	2	9200070	BOLT
11	2	7390005	SPACER
12	2	9100024	NYLOC NUT
13	1	184.461	WASHER
14	11	9100206	SPRING WASHER
15	7	T7855	BOLT
16	1	0901161	GREASE NIPPLE
17	1	0901121	GREASE NIPPLE
18	3	9100204	SPRING WASHER
19	3	9313044	SETSCREW
20	1	T7790	OIL SEAL RING
21	1	188.061	MOTOR PULLEY
22	1	04.282.06	STUD
23	1	0411290	INTERNAL CIRCLIP
24	1	8582041	TAPER PLUG
25	4	T6985	CAPSCREW
26	4	9163006	NYLOC NUT

**ROTOR ASSEMBLIES**

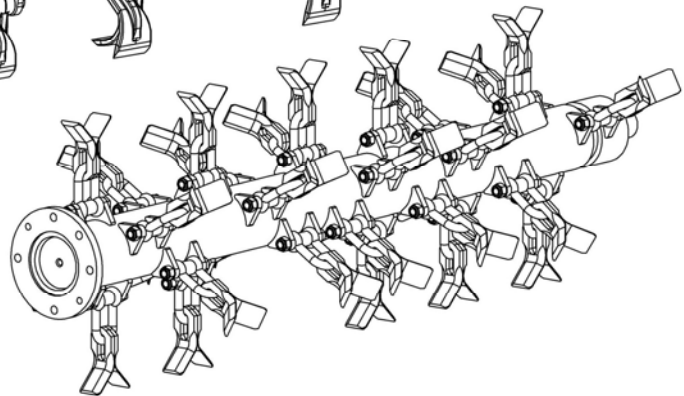
184.712AS - 1.2M ROTOR (24 STATION) LUMP FLAIL  
184.712BS - 1.5M ROTOR (30 STATION) LUMP FLAIL



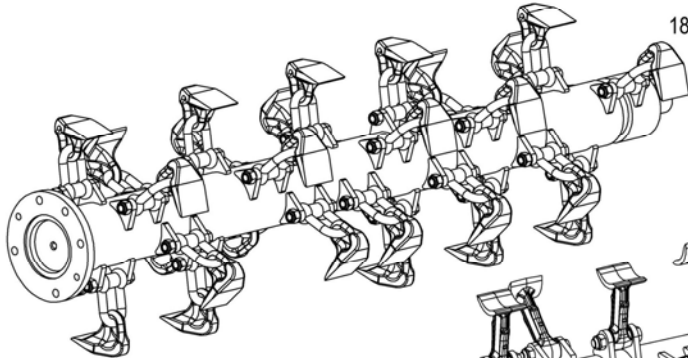
184.712CS - 1.2M ROTOR (24 STATION) COMP. FLAIL



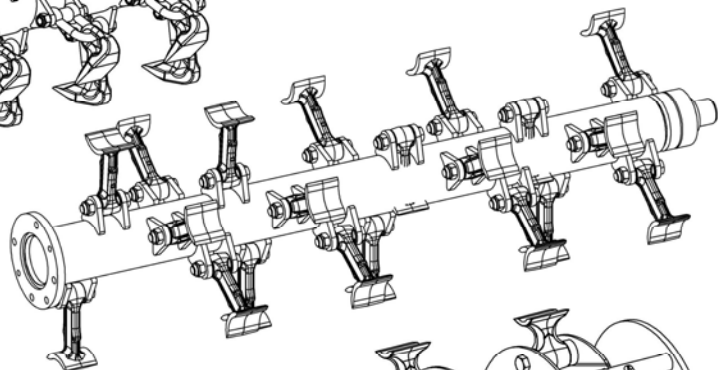
184.732S - 1.2M ROTOR (30 STATION) GRASS FLAIL  
184.734S - 1.5M ROTOR (36 STATION) GRASS FLAIL



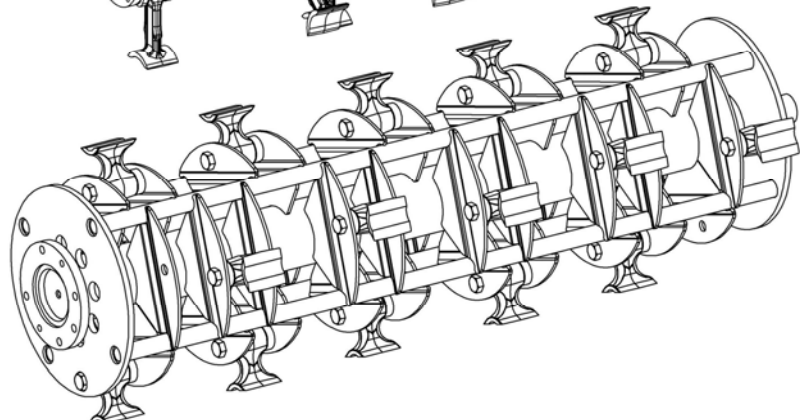
184.733S - 1.2M ROTOR (30 STATION) BOOT FLAIL



184.735 - 1.2M ROTOR (24 STATION) LUMP FLAIL



184.620S - 1.2M ROLLICOUP ROTOR  
(20 STATION) ROLLICOUP FLAIL

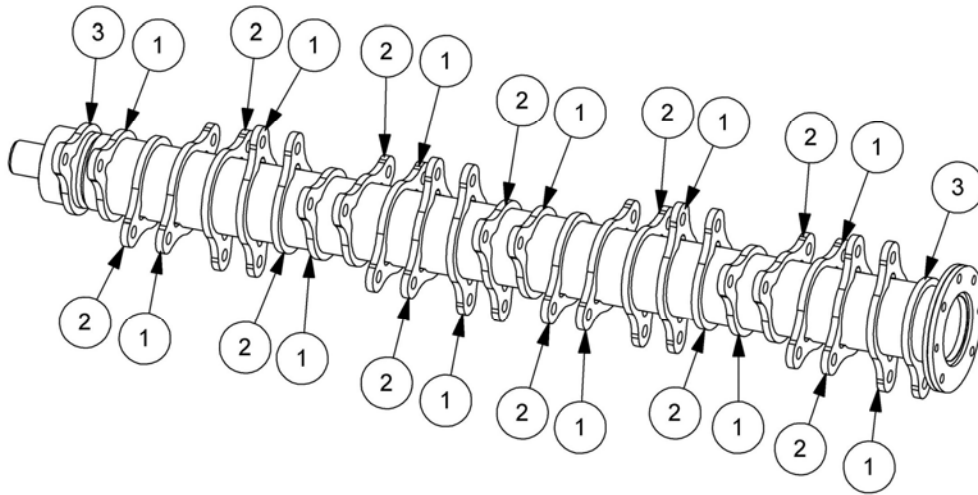


**ROTOR ASSEMBLIES**

REF.	QTY.		PART No.	DESCRIPTION
			<b>184.712AS</b>	<b>1.2M ROTOR (24 STATION) LUMP FLAIL</b>
			<b>184.712BS</b>	<b>1.5M ROTOR (32 STATION) LUMP FLAIL</b>
	<b>1.2m</b>	<b>1.5m</b>		
1	1	-	184.701A	1.2M ROTOR (WRAP AROUND)
	-	1	184.701B	1.5M ROTOR (WRAP AROUND)
2	24	32	T7943	BOLT
3	24	32	T7942	NYLOC NUT
4	24	32	184.106	FLAIL SPACER
5	24	32	1840093C	HEAVY DUTY FLAIL
			<b>184.712CS</b>	<b>1.2M ROTOR (24 STATION) COMP. FLAIL</b>
1	1	-	184.701A	1.2M ROTOR (WRAP AROUND)
2	24	-	T7943	BOLT
3	24	-	T7942	NYLOC NUT
4	24	-	184.106	FLAIL SPACER
5	24	-	7390276	SINGLE EDGED FLAIL
			<b>184.732</b>	<b>1.2M ROTOR (30 STATION) GRASS FLAIL</b>
			<b>184.734</b>	<b>1.5M ROTOR (36 STATION) GRASS FLAIL</b>
1	1	-	184.618.100A	1.2M ROTOR
	-	1	184.618.100B	1.5M ROTOR
2	30	36	T1920052	SHACKLE
3	60	72	199.999	GRASS FLAIL (BACK TO BACK)
4	30	36	192.053	SPACER
5	30	36	1920069	BOLT
6	30	36	T8095	NYLOC NUT
			<b>184.733</b>	<b>1.2M ROTOR (30 STATION) BOOT FLAIL</b>
1	1	-	184.618.100A	1.2M ROTOR
2	30	-	T1920052	SHACKLE
3	30	-	192.053	SPACER
4	30	-	1920069	BOLT
5	30	-	T8095	NYLOC NUT
6	30	-	09.902.01	BOOT FLAIL
7	1	-	184.729	BEARING SPACER
			<b>184.735</b>	<b>1.2M ROTOR (24 STATION) LUMP FLAIL</b>
1	1	-	184.619.100A	1.2M ROTOR
2	24		1840093C	LUMP FLAIL
3	24		184.106	FLAIL SPACER
4	24		T7942	NYLOC NUT
5	24		T7943	BOLT
6	1		184.729	BEARING SPACER
			<b>184.620</b>	<b>1.2M ROLLICOUP ROTOR (20 STATION)</b>
1	1	-	184.620.100	1.2M ROLLICOUPE ROTOR
2	20	-	1840572	ROLLICOUP FLAIL
3	20	-	184.571	SPACER
4	20	-	0892U	BOLT
5	20	-	9163007	NYLOC NUT

**ROTOR LUGS – 1.2M ROTOR 184.701A**

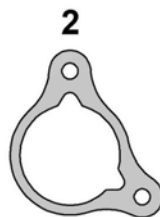
184.701A - 1.2M 'WRAP AROUND' ROTOR



REF.	QTY.	PART No.	DESCRIPTION
		<b>184.712A</b>	<b>1.2M ROTOR</b>
1	12	184.701.001	LUG (180) FOR 1.2M ROTOR
2	11	184.701.002	LUG (120) FOR 1.2M ROTOR
3	2	184.701.003	LUG (END) FOR 1.2M ROTOR



184.701.001



184.701.002

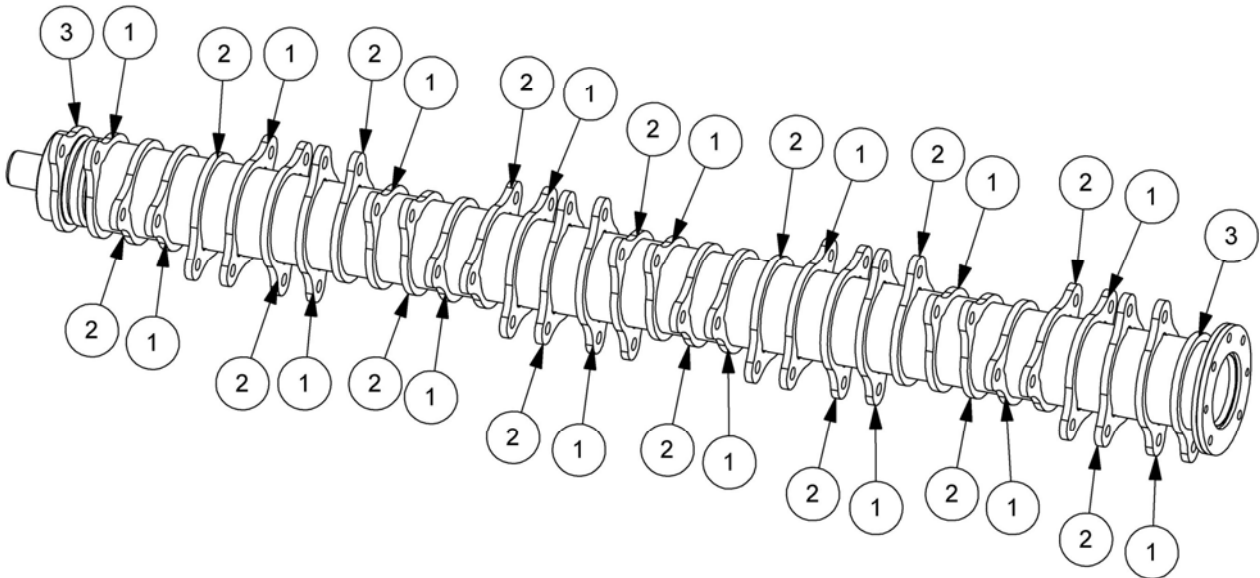


184.701.003

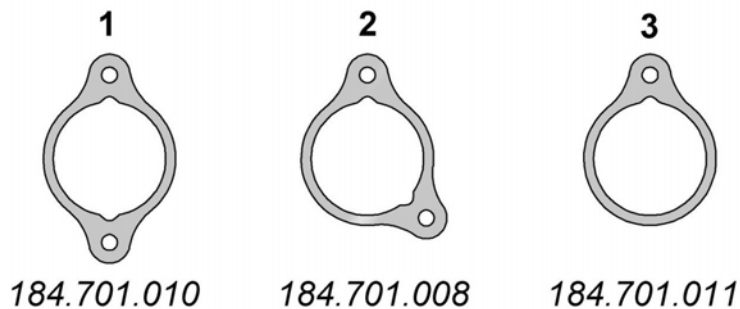


**ROTOR LUGS – 1.5M ROTOR 184.701B**

184.701B - 1.5M 'WRAP AROUND' ROTOR

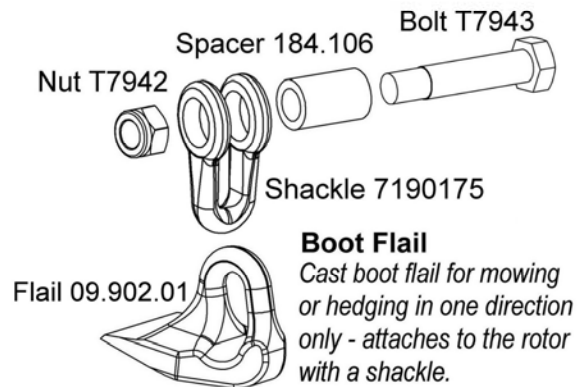
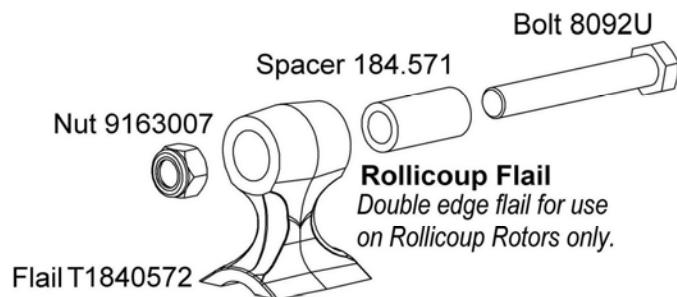
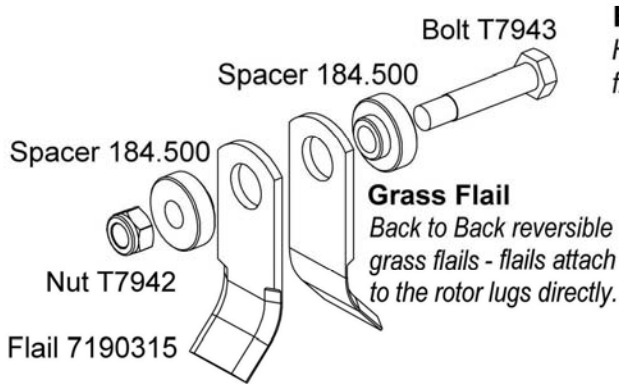
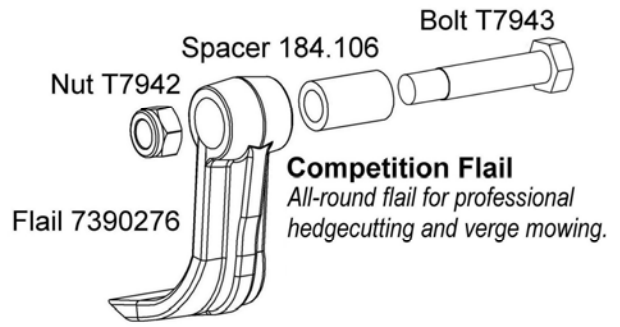
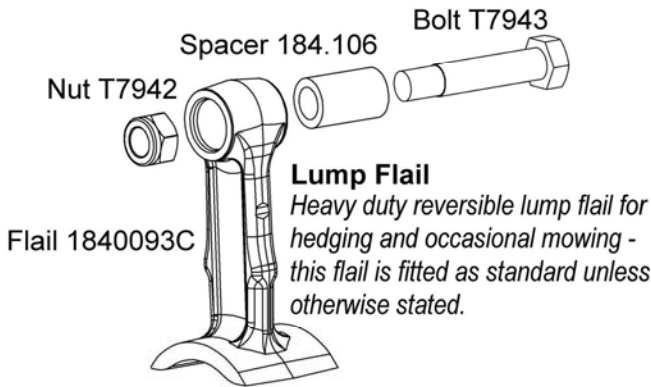


REF.	QTY.	PART No.	DESCRIPTION
		<b>184.712B</b>	<b>1.5M ROTOR</b>
1	16	184.701.010	LUG (180) FOR 1.5M ROTOR
2	15	184.701.008	LUG (144) FOR 1.5M ROTOR
3	2	184.701.011	LUG (END) FOR 1.5M ROTOR

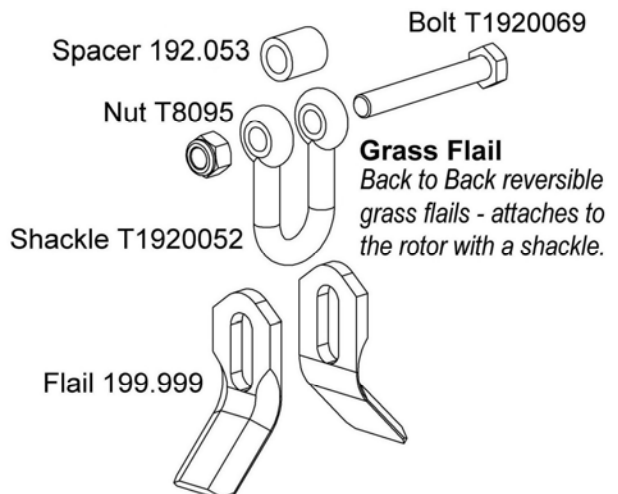
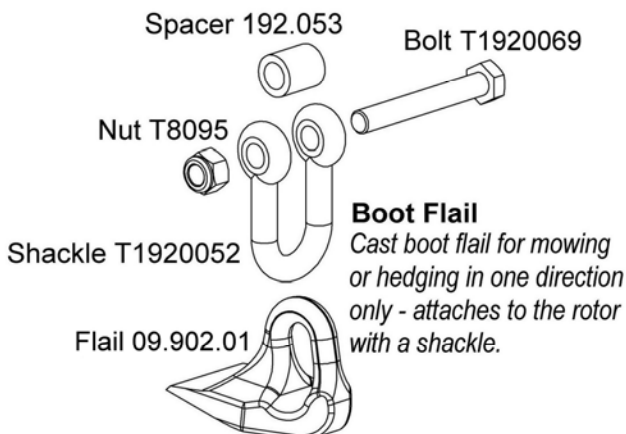


**FLAILS & FIXINGS**

**LATE ROTORS WITH 16MM FIXINGS**

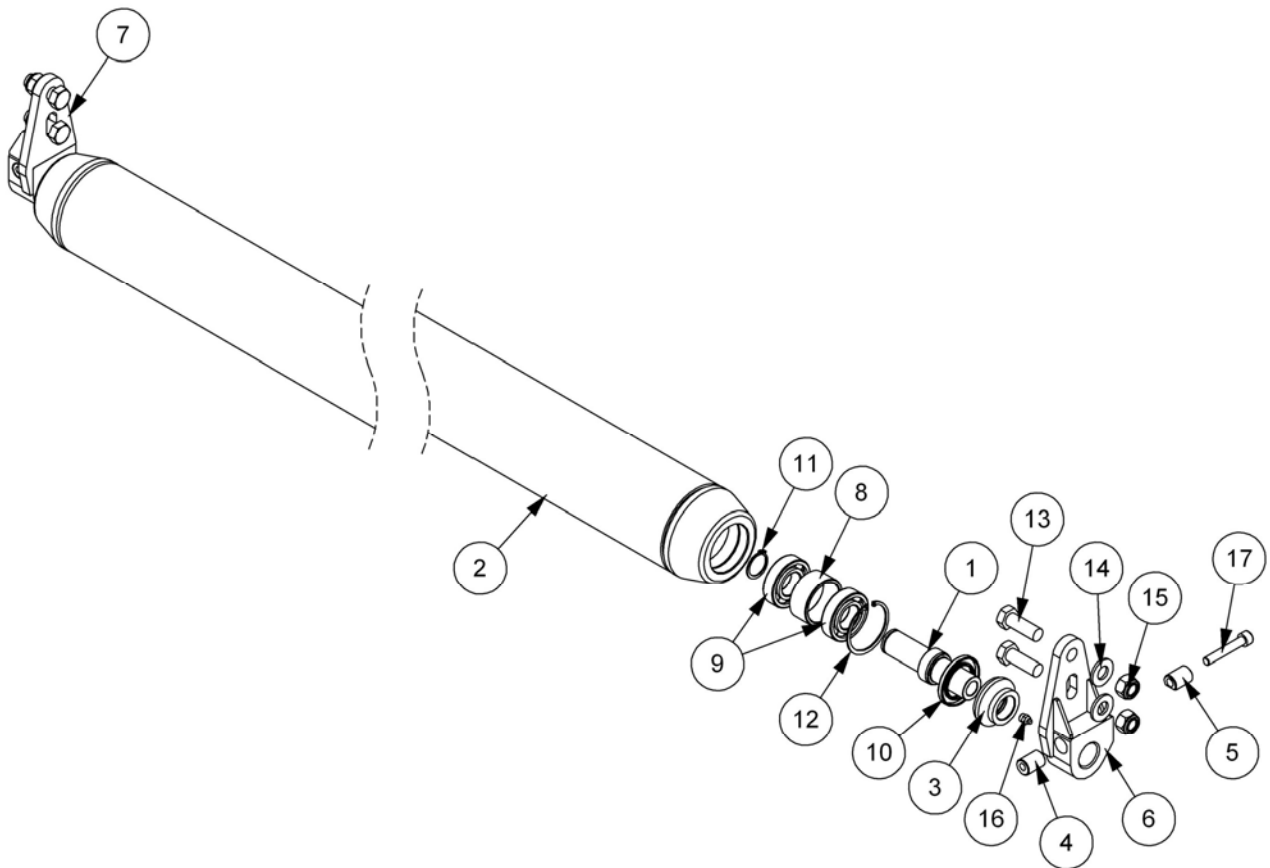


**EARLY ROTORS WITH 12MM FIXINGS**



**1.2M ROLLER ASSEMBLY (4'')**

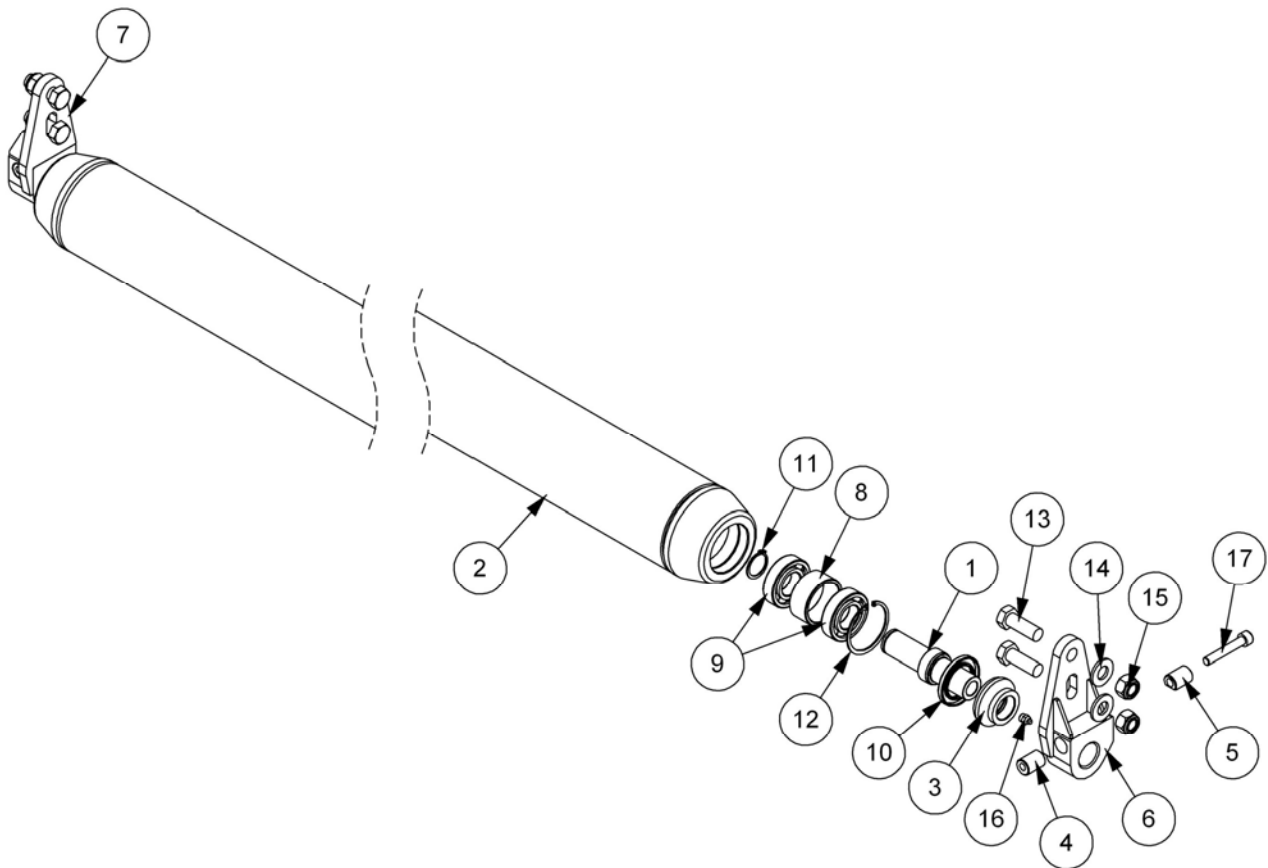
Module:  
184.711A



REF.	QTY.	PART No.	DESCRIPTION
		<b>184.711A</b>	<b>1.2M ROLLER ASSEMBLY (4'')</b>
1	2	184.702	SHAFT STUB
2	1	184.703A	1.2M ROLLER (4'')
3	2	184.704	SHIELD
4	2	184.727A	CLAMP BUSH
5	2	184.727B	CLAMP BUSH
6	1	184.728L	ROLLER BRACKET - L/H
7	1	184.728R	ROLLER BRACKET - R/H
8	2	21523.31	BEARING SPACER
9	4	0600111	BALL BEARING
10	2	8629254	ROTARY SHAFT SEAL
11	2	0401230	EXTERNAL CIRCLIP
12	2	0411262	INTERNAL CIRCLIP
13	4	9313097	SETSCREW
14	4	0100106	WASHER
15	4	9163007	NYLOC NUT
16	2	0901121	GREASE NIPPLE
17	2	9243125	CAPSCREW

## 1.5M ROLLER ASSEMBLY (4'')

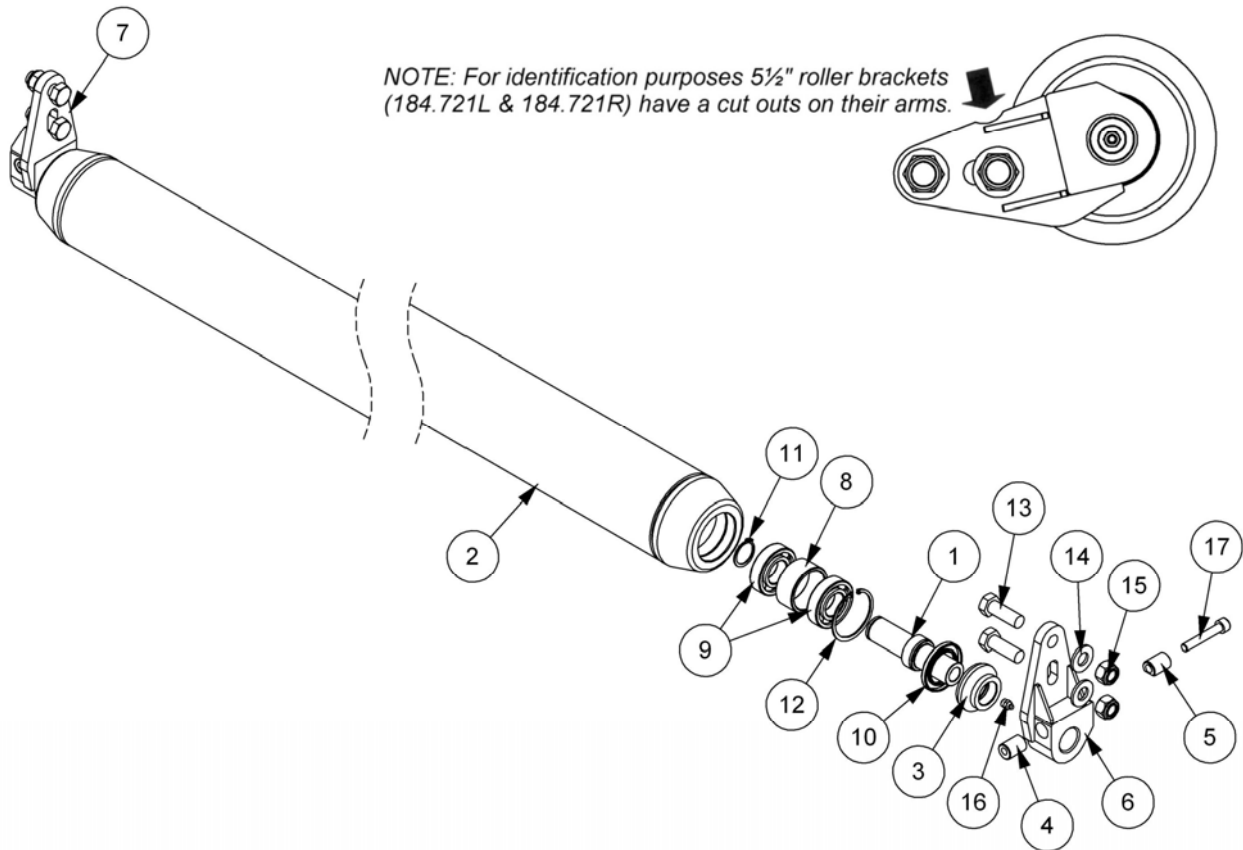
Module:  
184.711B



REF.	QTY.	PART No.	DESCRIPTION
		<b>184.711B</b>	<b>1.5M ROLLER ASSEMBLY (4'')</b>
1	2	184.702	SHAFT STUB
2	1	184.703B	1.5M ROLLER (4'')
3	2	184.704	SHIELD
4	2	184.727A	CLAMP BUSH
5	2	184.727B	CLAMP BUSH
6	1	184.728L	ROLLER BRACKET - L/H
7	1	184.728R	ROLLER BRACKET - R/H
8	2	21523.31	BEARING SPACER
9	4	0600111	BALL BEARING
10	2	8629254	ROTARY SHAFT SEAL
11	2	0401230	EXTERNAL CIRCLIP
12	2	0411262	INTERNAL CIRCLIP
13	4	9313097	SETSCREW
14	4	0100106	WASHER
15	4	9163007	NYLOC NUT
16	2	0901121	GREASE NIPPLE
17	2	9243125	CAPSCREW

**1.2M ROLLER ASSEMBLY (5½")**

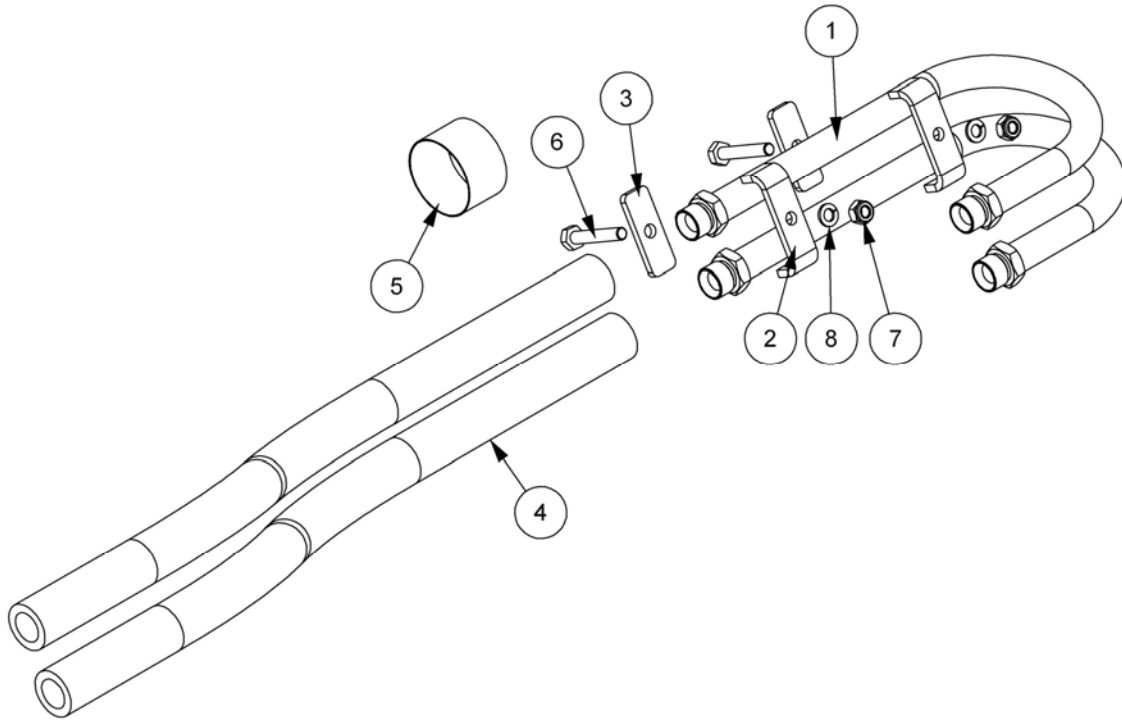
Module:  
184.711C



REF.	QTY.	PART No.	DESCRIPTION
		<b>184.711C</b>	<b>1.2M ROLLER ASSEMBLY (5½")</b>
1	2	184.702	SHAFT STUB
2	1	184.720A	1.2M ROLLER (5½")
3	2	184.704	SHIELD
4	2	184.727A	CLAMP BUSH
5	2	184.727B	CLAMP BUSH
6	1	184.721L	ROLLER BRACKET - L/H
7	1	184.721R	ROLLER BRACKET - R/H
8	2	21523.31	BEARING SPACER
9	4	0600111	BALL BEARING
10	2	8629254	ROTARY SHAFT SEAL
11	2	0401230	EXTERNAL CIRCLIP
12	2	0411262	INTERNAL CIRCLIP
13	4	9313097	SETSCREW
14	4	0100106	WASHER
15	4	9163007	NYLOC NUT
16	2	0901121	GREASE NIPPLE
17	2	9243125	CAPSCREW

**R/H CONVERSION KIT – Standard Power Builds**

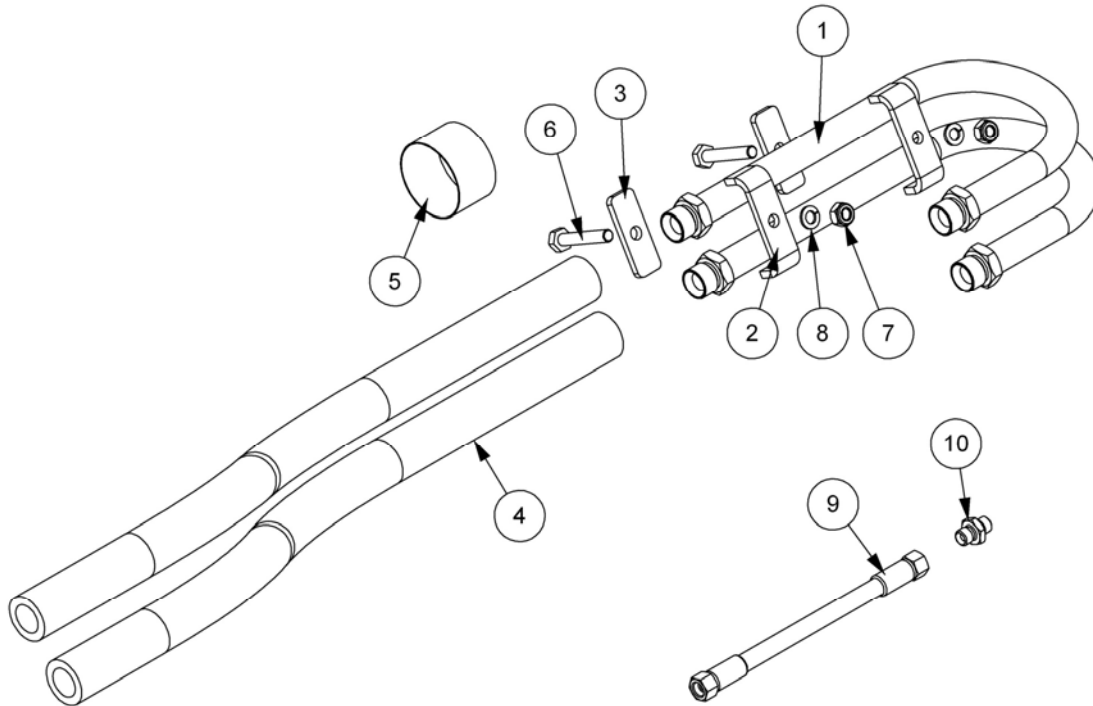
Module:  
184.716A



REF.	QTY.	PART No.	DESCRIPTION
		<b>184.716A</b>	<b>R/H CONVERSION KIT</b>
1	2	186.058	HYDRAULIC STEEL PIPE
2	2	184.517	PIPE CLAMP
3	2	184.731	CLAMP PLATE
4	2	004.442	HOSE - 3/4" BSP ST/ST x 655mm
5	1	T7947	HOSE SLEEVING
6	2	9213125	BOLT
7	2	9163005	NYLOC NUT
8	2	9100205	SPRING WASHER

**R/H CONVERSION KIT – High Power Builds**

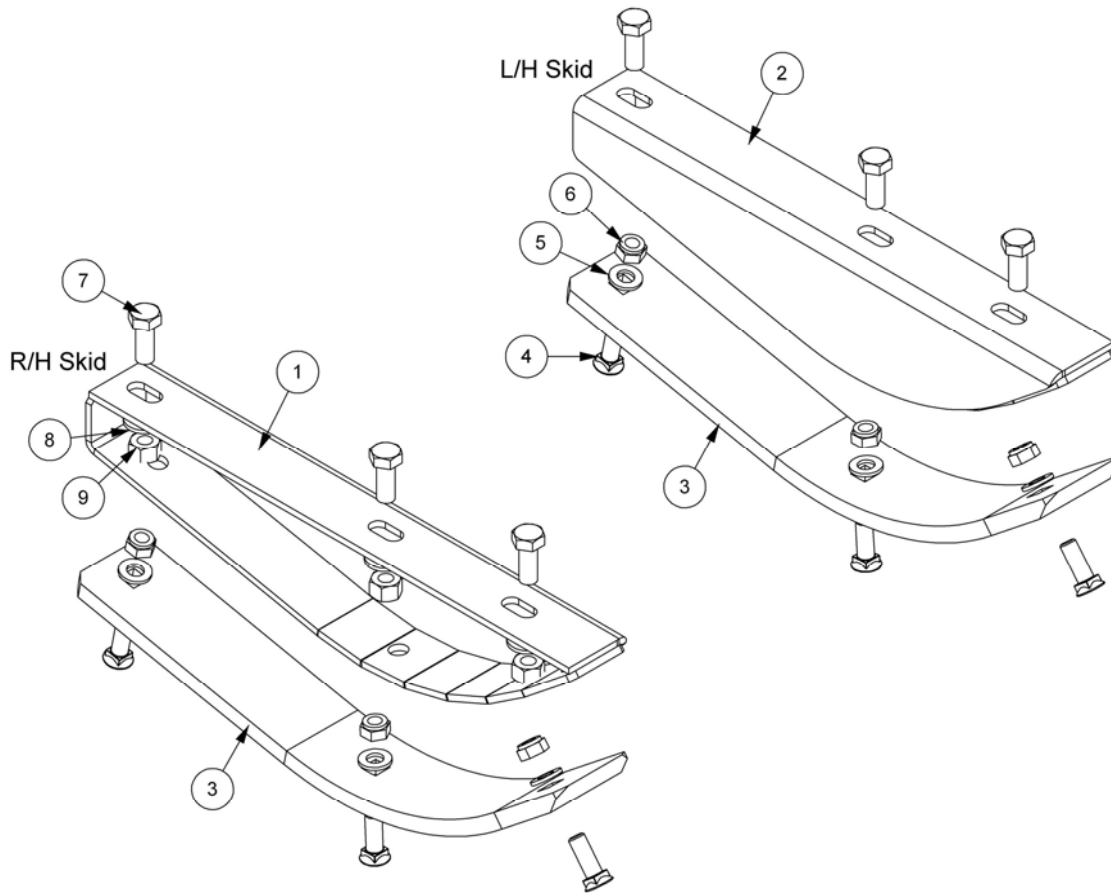
Module:  
184.716B



REF.	QTY.	PART No.	DESCRIPTION
		<b>184.716B</b>	<b>R/H CONVERSION KIT (HP)</b>
1	2	186.058	HYDRAULIC STEEL PIPE
2	2	184.517	PIPE CLAMP
3	2	184.731	CLAMP PLATE
4	2	004.442	HOSE - 3/4" BSP ST/ST x 655mm
5	1	T7947	HOSE SLEEVING
6	2	9213125	BOLT
7	2	9163005	NYLOC NUT
8	2	9100205	SPRING WASHER
9	1	10.001.24	HOSE - 1/4" BSP FS/FS x 1400mm
10	1	8581169	ADAPTOR

**SKID KIT ASSEMBLY**

Module:  
184.717

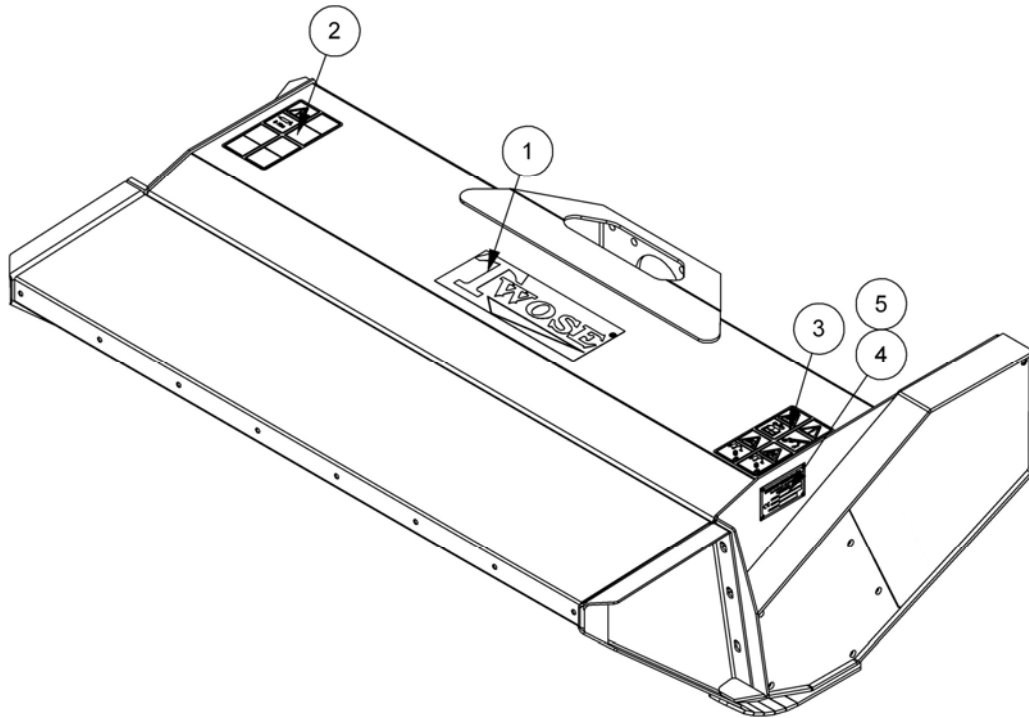


REF.	QTY.	PART No.	DESCRIPTION
		<b>184.717</b>	<b>SKID KIT ASSEMBLY</b>
1	1	184.709R	SKID - R/H
2	1	184.709L	SKID - L/H
3	2	7290391	SKID SHOE (REPLACEABLE)
4	6	6012034	PLOUGH BOLT
5	6	0100104	FLAT WASHER
6	6	0141004	UNF CLEVELOC NUT
7	6	9313066	SETSCREW
8	6	9100106	FLAT WASHER
9	6	9143006	SELF-LOCKING NUT

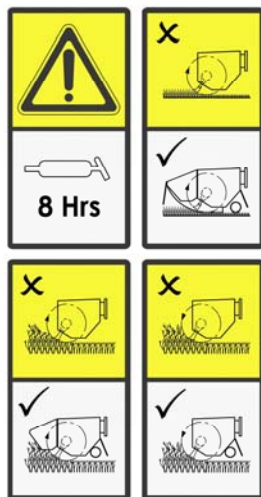


**DECAL KIT**

Module:  
184.615.900



REF.	QTY.	PART No.	DESCRIPTION
		<b>184.615.900</b>	<b>DECAL KIT (FLAILHEAD)</b>
1	1	200.006	DECAL - TWOSE
2	1	1290738	DECAL - FLAILHEAD
3	1	09.821.35	DECAL - COMBINED EURO
4	1	45429.01	SERIAL No. PLATE
5	4	7103230	POP RIVET



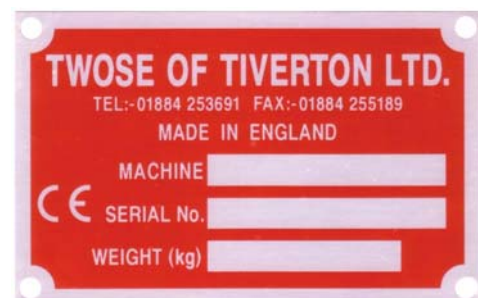
2.



3.



1.



4.