

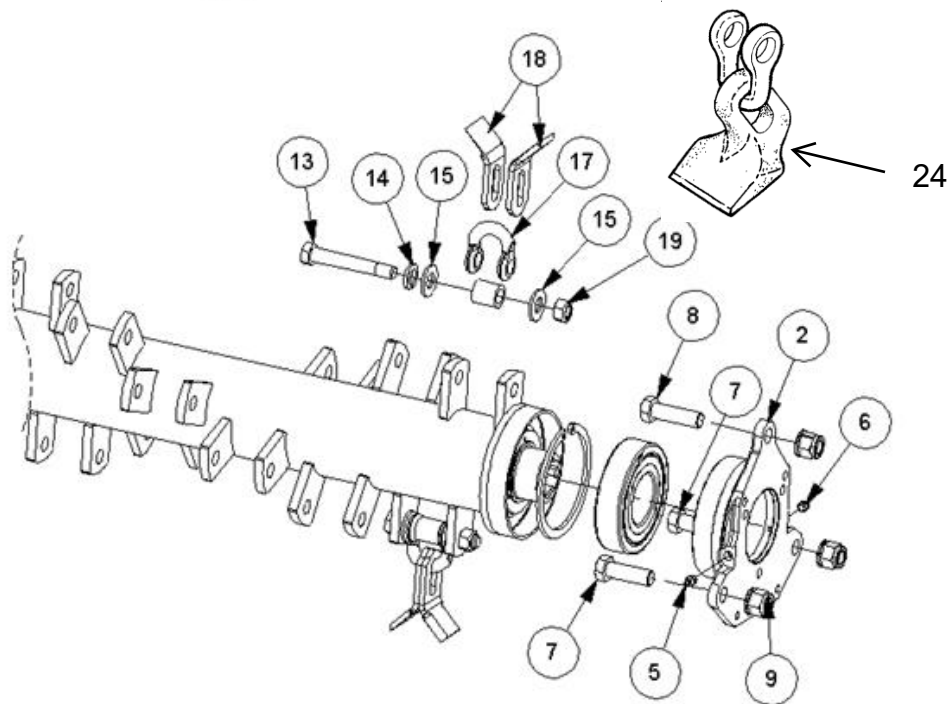
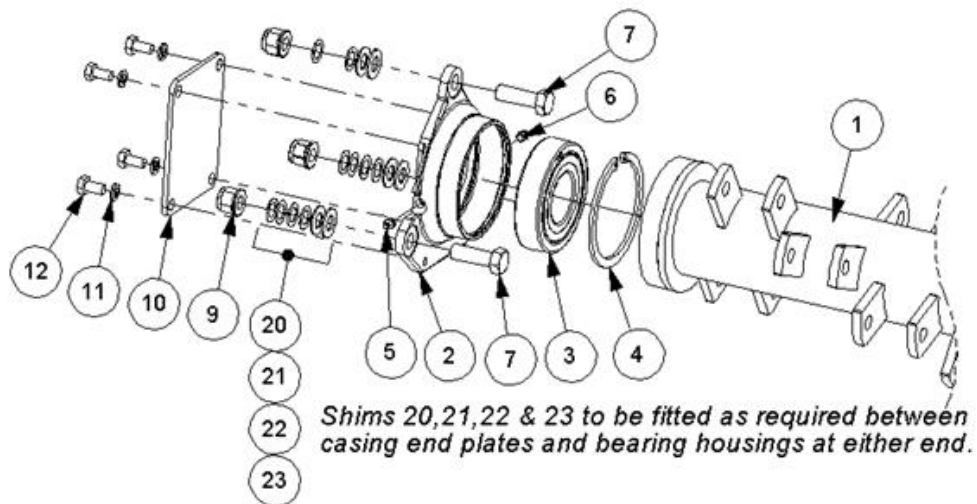
# **PARTS MANUAL**

## **FOR**

# **SERIAL NO: M2063670**

**PRINTED ON 22 OCT 2020**

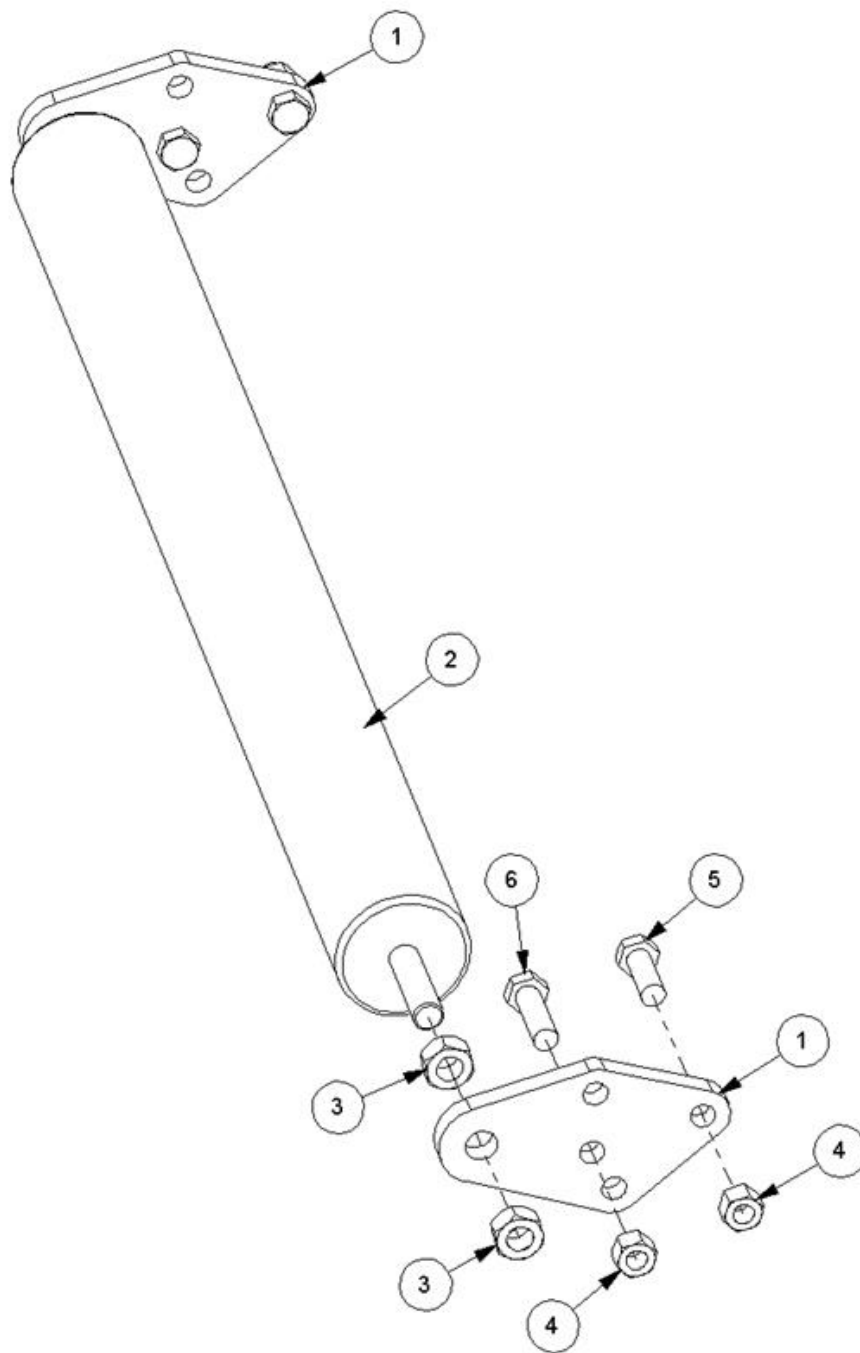
# 21959.02 - ROTOR MODULE



Ref	Part No	Description	QTY
1	7198345	ROTOR-SUPERCUT 1.0M DID/DR	1
2	7190261	BEARING HOUSING	2
3	0600018	BEARING - ROTOR	2
4	7190022	CIRCLIP	2
5	0901121	GREASER	2
6	0901125	GREASER	2
7	9200025	BOLT	5
8	9200023	BOLT	1
9	9100024	NUT	6

Ref	Part No	Description	QTY
10	7190444	PLATE	1
11	9100205	WASHER	4
12	9313045	SCREW	4
13	05.775.10	BOLT	20
14	9100207	WASHER	20
15	05.281.04	WASHER	40
16	02.807.01	SPACER	20
17	05.895.01	SHACKLE	20
18	7190166	FLAIL	40
19	05.968.06	NUT	20
20	7191098	SHIM	3
21	7191099	SHIM	3
22	8121043	SPACER	5
23	8121044	SPACER	5
24	7190462	DFK 60 flail	20

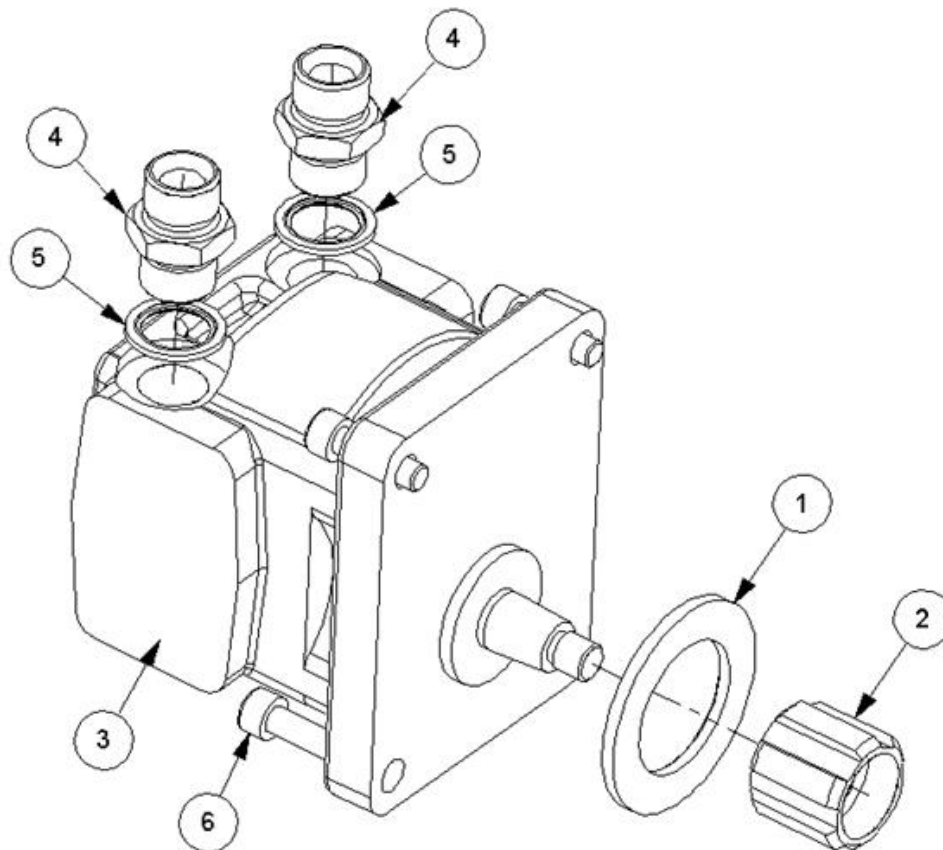
# 21960.01 - ROLLER MODULE



Ref	Part No	Description	QTY
1	21967.01	BRACKET	2
2	41301.02	ROLLER	1
3	9113008	NUT	4
4	9163007	NUT	4
5	9313097	SCREW	2
6	9313117	SCREW	2

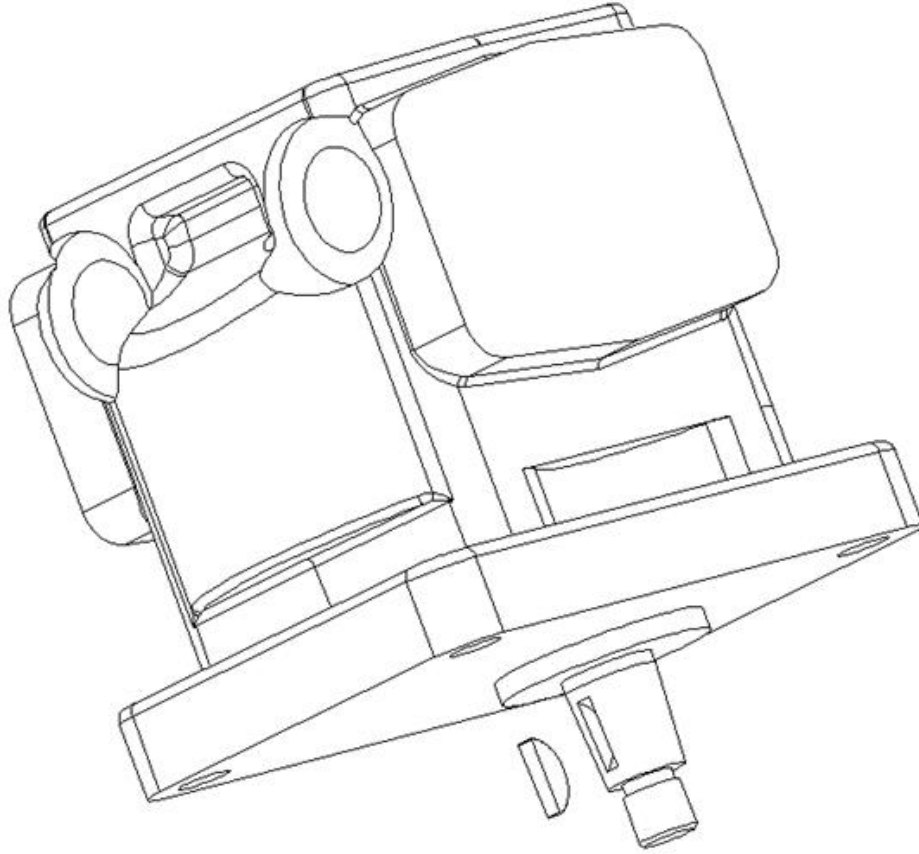
Ref	Part No	Description	QTY
7	04.456.03	BEARING KIT	0

# 21965.01 - MOTOR MODULE



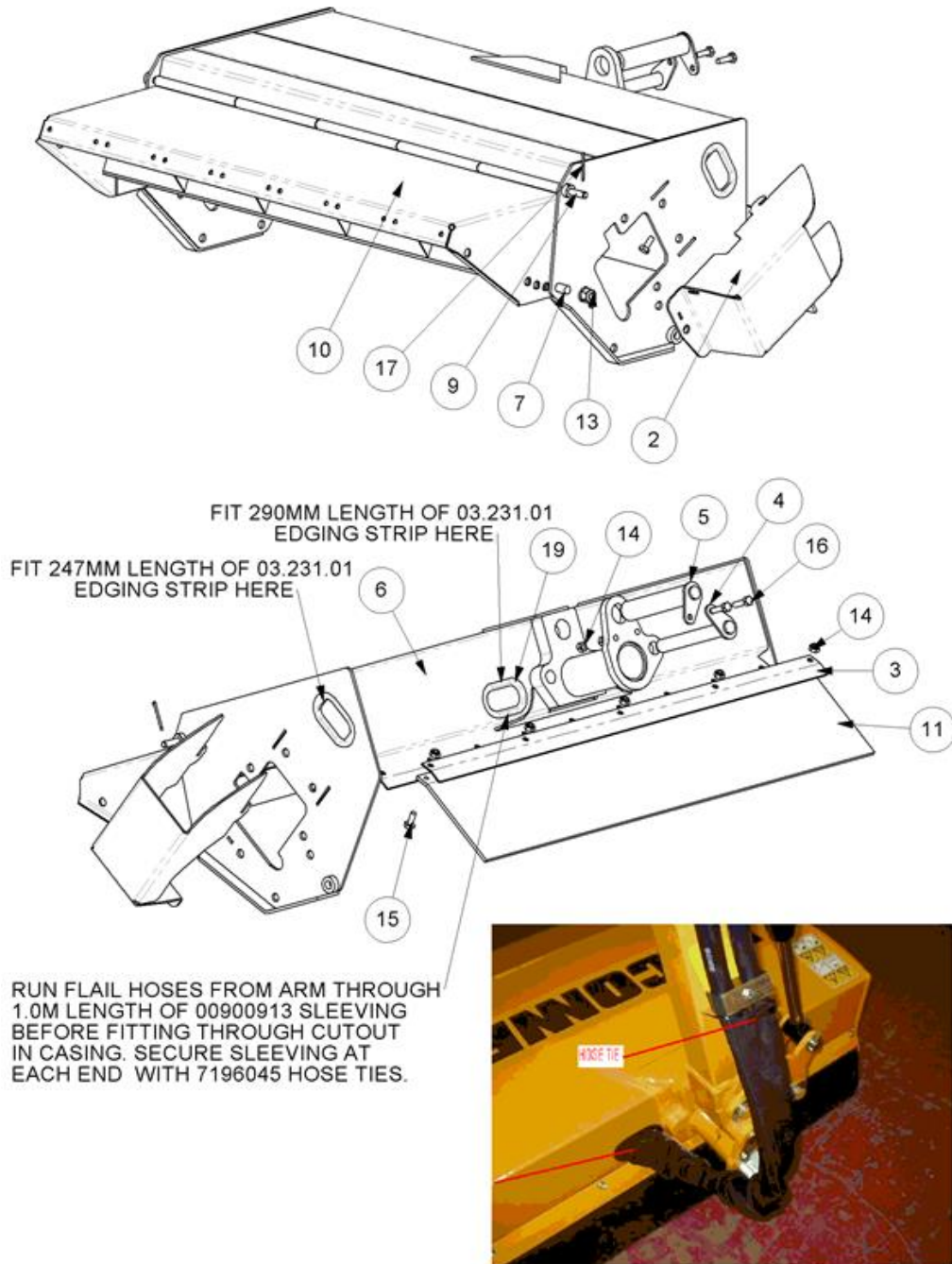
Ref	Part No	Description	QTY
1	7190015	WASHER	1
2	7190573	USE 7190580/549	1
3	<b>8301303</b>	MOTOR	1
4	8581136	ADAPTOR	2
5	8650106	SEAL	2
6	9300144	SCREW	4

# 8301303 - MOTOR



Ref	Part No	Description	QTY
1	9100015	NUT	1
2	8301010	KEY	1
3	8629209	SEAL	2
4	8699236	SEAL KIT	1

# 21969.03 - CASING & HOOD MOD

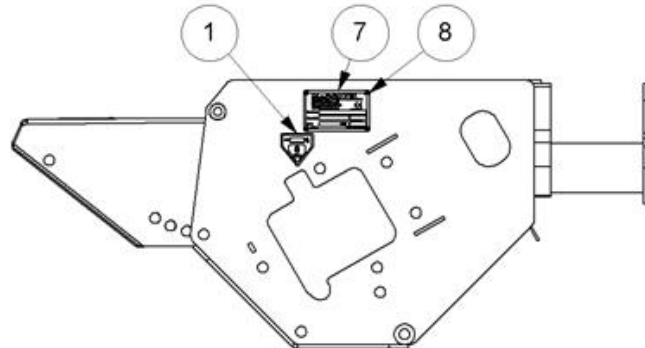
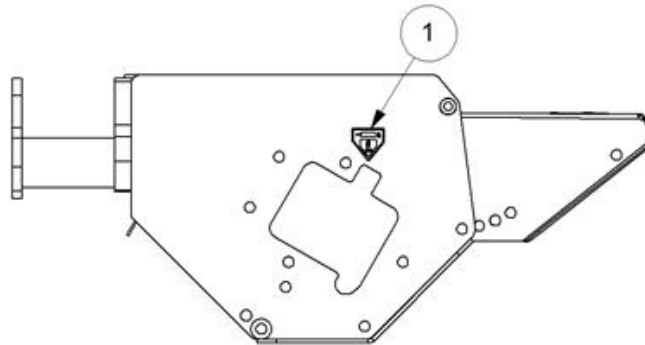
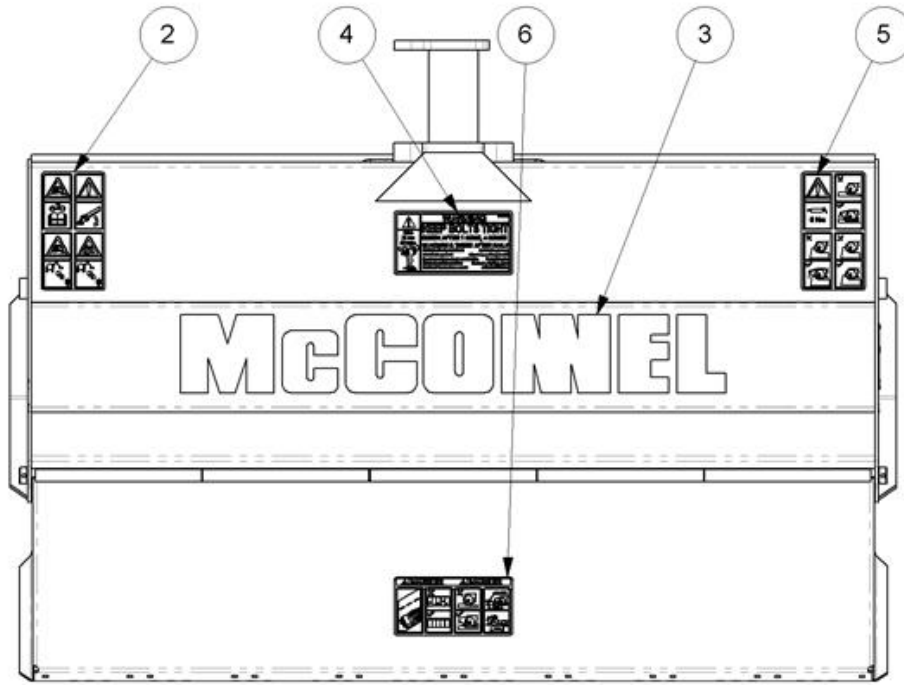


Ref	Part No	Description	QTY
2	21966.01	COVER	1
3	21968.01	PRESSING	1
4	21970.01	PIN	1
5	21971.01	PIN	1
6	22459.01	CASING W.A.	1
7	30.073.25	BOLT	2



Ref	Part No	Description	QTY
9	7191094	PIN	1
10	7191279	FRONT HOOD	1
11	7191300	FLAP	1
12	7196045	HOSE TIE	2
13	9100024	NUT	2
14	9163005	NUT	7
15	9313055	SCREW	5
16	9313075	SCREW	2
17	9501406	PIN	1
18	00900913	SLEEVING	1000
19	03.231.17	RUBBER EDGE MOULDING 537mm	1

# 21978.01 - STICKER MODULE

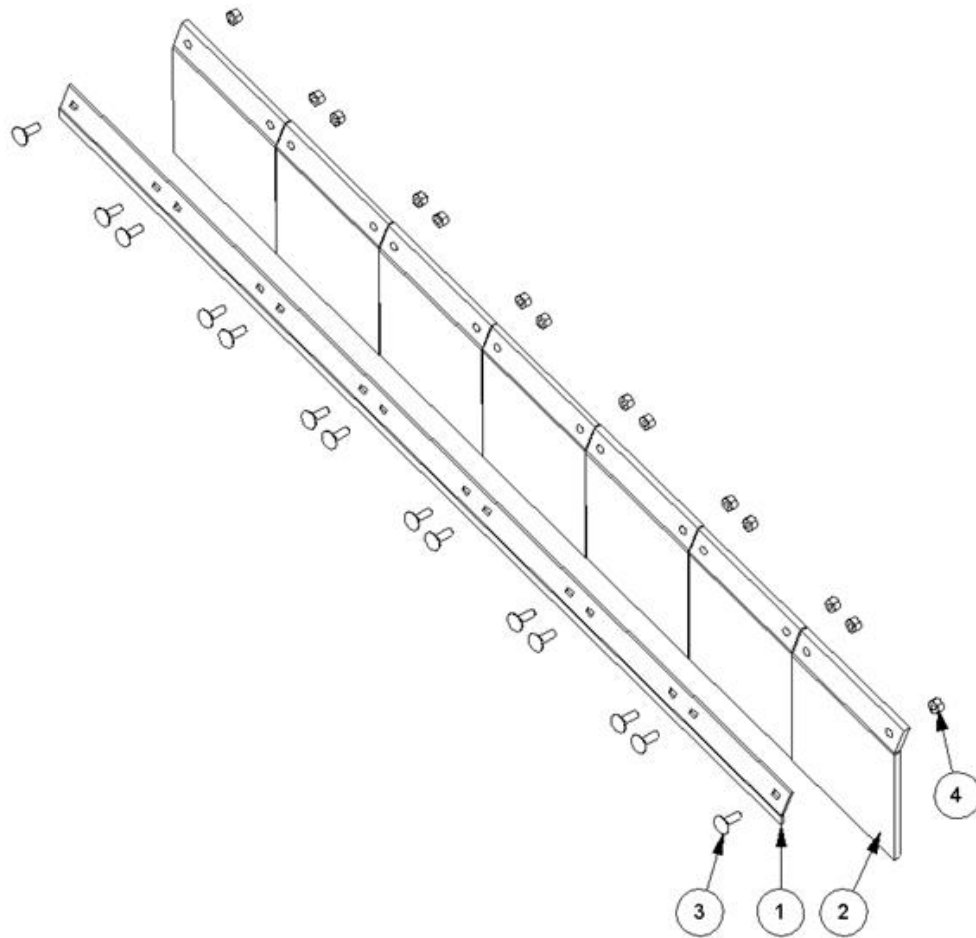


NOTE: LAYOUT SHOWN FOR LH OB/RH IB  
 NUMBER PLATE FITTED TO OPPOSITE  
 END FOR LH IB/RH OB

Ref	Part No	Description	QTY
1	09.810.01	DECAL	2
2	09.821.35	DECAL	1
3	1290527	DECAL	1

<b>Ref</b>	<b>Part No</b>	<b>Description</b>	<b>QTY</b>
4	1291315	DECAL	1
5	1290738	DECAL	1
6	1291231	DECAL	1
7	1335246	SERIAL No. PLATE	1
8	7103230	RIVET	4

# 7191321 - FLAP KIT 1.0M SUPERCUT



Ref	Part No	Description	QTY
1	7190035	FLAP	7
2	7190350	CLAMP STRIP	1
3	9293054	BOLT	14
4	9163004	NUT	14