



# KP



## **KP 1750 - N. 42336**

### **Oil delivery 50 l/min**

CATALOGO PARTI DI RICAMBIO  
SPARE PARTS CATALOGUE  
CATALOGUE PIECES DE RECHANGE  
ERSATZTEILLISTE  
CATÁLOGO PARTES DE REQUESTO

**850 1000 1250 1500 1750 2000 2250**

**2400 2600 2600 S 2800 S 3000 S 3200 S**



## per ordinare i pezzi di ricambio

Per una corretta ordinazione dei pezzi di ricambio è necessario indicare i seguenti elementi:

- 1) Modello della macchina,
  - 2) Numero di catalogo,
  - 3) Codice del ricambio,
  - 4) Quantità richiesta.
- 

## pour commander les pièces de rechange

Pour commander les pièces de rechange il faut indiquer:

- 1) Modèle de la machine,
  - 2) Nombre du catalogue,
  - 3) Code de la pièce de rechange,
  - 4) Quantité demandé.
- 

## to order the spare parts

To order the spare parts correctly you must specify:

- 1) Model of the machine,
  - 2) Catalogue number,
  - 3) Spare part code number,
  - 4) Required quantity.
- 

## um die Ersatzteile zu bestellen

Für eine korrekte Bestellung der Ersatzteilen müssen die folgende Einzelheiten angegeben werden:

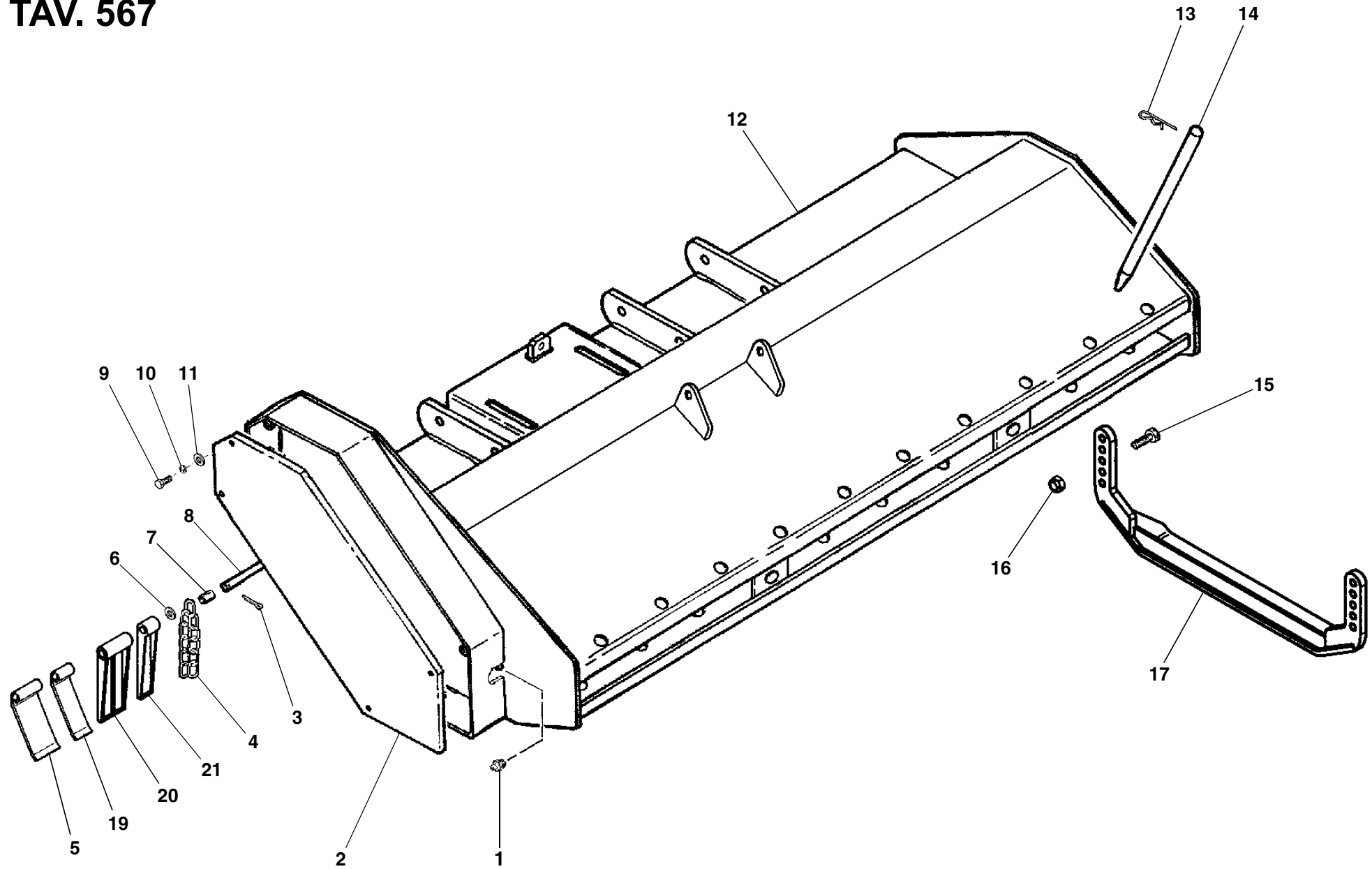
- 1) Gerät-Modell,
  - 2) Katalog-Nummer,
  - 3) Teil-Nummer,
  - 4) Gewünschte Menge.
- 

## para pedir las partes de requesto

Para pedir correctamente las partes de requesto se tiene que especificar:

- 1) Modelo de la máquina,
- 2) Número de catálogo,
- 3) Código de la parte de requesto,
- 4) Cantidad pedida.

# TAV. 567



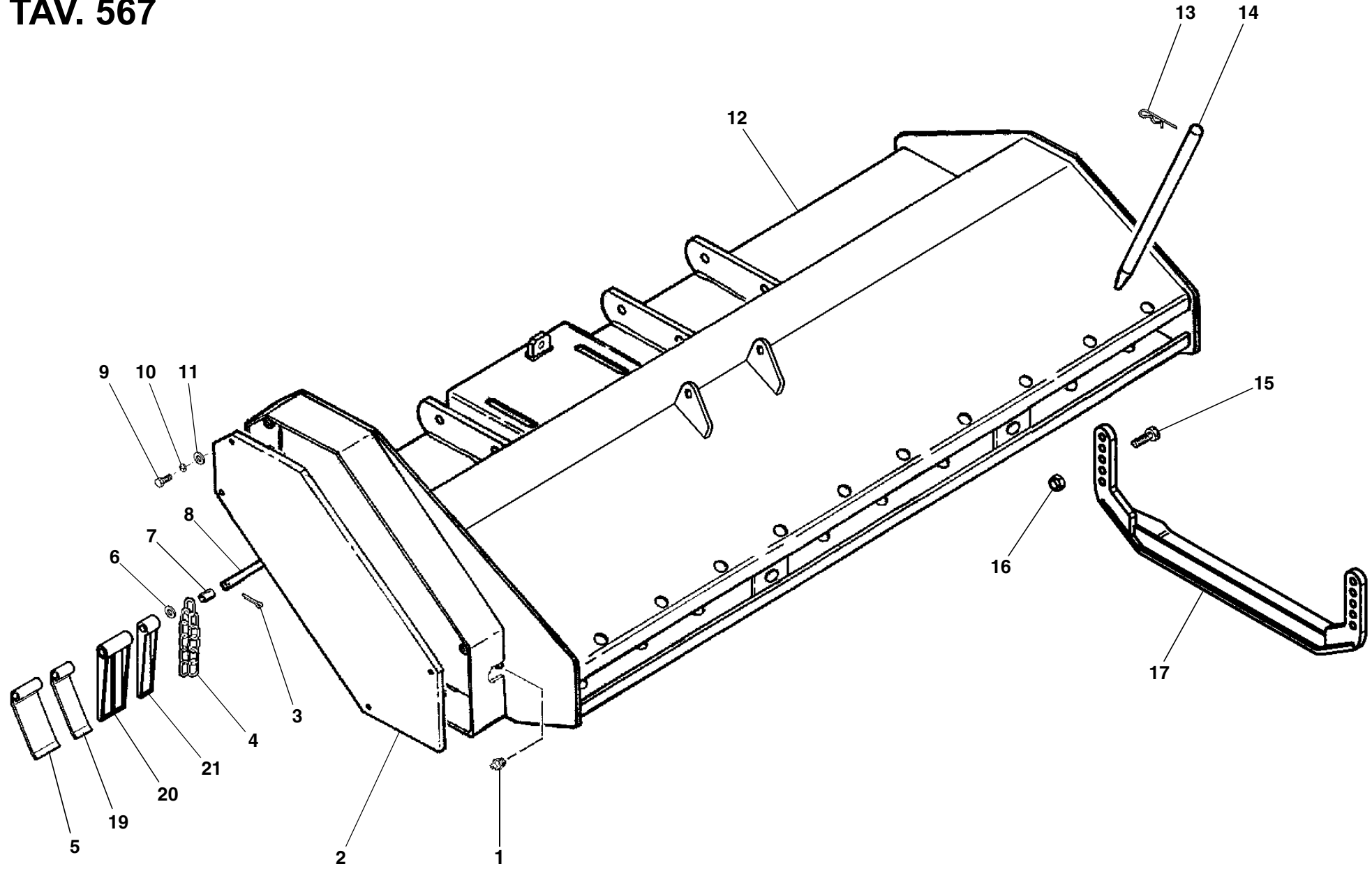
# TAV. 567

RIF.	CODICE	DESCRIZIONE	N.
1	0002661	M10x1x90°	1
2	3002318	KP 850/2600	1
	3008337	KP 2800S/3200S	1
3	1559028	ø4,5x45 UNI1336	1
4	3001927	KP 850	27
	3001927	KP 1000	31
	3001927	KP 1250	40
	3001927	KP 1500	48
	3001927	KP 1750	56
	3001927	KP 2000	64
	3001927	KP 2250	72
	3001927	KP 2400	78
	3001927	KP 2600 - 2600 S	84
	3001927	KP 2800 S	90
	3001927	KP 3000 S	97
	3001927	KP 3200 S	102
5	3000197	L=70 KP 850	11
	3000197	L=70 KP 1000	13
	3000197	L=70 KP 1250	16
	3000197	L=70 KP 1500	20
	3000197	L=70 KP 1750	23
	3000197	L=70 KP 2000	26
	3000197	L=70 KP 2250	30
	3000197	L=70 KP 2400	32
	3000197	L=70 KP 2600 - 2600 S	34
	3000197	L=70 KP 2800 S	37
	3000197	L=70 KP 3000 S	40
	3000197	L=70 KP 3200 S	43
6	1114000	ø14 UNI6592	—

RIF.	CODICE	DESCRIZIONE	N.
7	3001545	KP 850	26
	3001545	KP 1000	31
	3001545	KP 1250	38
	3001545	KP 1500	46
	3001545	KP 1750	54
	3001545	KP 2000	61
	3001545	KP 2250	69
	3001545	KP 2400	74
	3001545	KP 2600 - 2600 S	80
	3001545	KP 2800 S	86
	3001545	KP 3000 S	92
	3001545	KP 3200 S	103
8	3001301	KP 850	1
	3000314	KP 1000	1
	3000315	KP 1250	1
	3000316	KP 1500	1
	3000317	KP 1750	1
	3000318	KP 2000	1
	3000444	KP 2250	1
	3004514	KP 2400	1
	3000445	KP 2600	1
	3000167	KP 2600 S	1
	3002604	KP 2800 S	1
	3006487	KP 3000 S	1
	3000168	KP 3200 S	1
9	1110804	M8x16 UNI5739 KP 850/2600	4
	1110804	M8x16 UNI573 KP 2600 S/3200 S	6
10	1508150	ø8 UNI6798A KP 850/2600	4
	1508150	ø8 UNI6798A KP 2600 S/3200 S	6

RIF.	CODICE	DESCRIZIONE	N.
11	1309243	ø9x24x3 KP 850/2600	4
	1309243	ø9x24x3 KP 2600 S/3200 S	6
12		KP 850	1
		KP 1000	1
		KP 1250	1
		KP 1500	1
		KP 1750	1
		KP 2000	<b>1</b>
		KP 2250	1
		KP 2400	1
		KP 2600	1
		KP 2600 S	1
		KP 2800 S	1
		KP 3000 S	1
		KP 3200 S	1
13	0002115	ø4 KP 850-1000	5
	0002115	ø4 KP 1250	7
	0002115	ø4 KP 1500	8
	0002115	ø4 KP 1750	10
	0002115	ø4 KP 2000	11
	0002115	ø4 KP 2250	12
	0002115	ø4 KP 2400	13
	0002115	ø4 KP 2600	14
14	3000091	KP 850-1000	5
	3000091	KP 1250	7
	3000091	KP 1500	8
	3000091	KP 1750	10
	3000091	KP 2000	11
	3000091	KP 2250	12

# TAV. 567



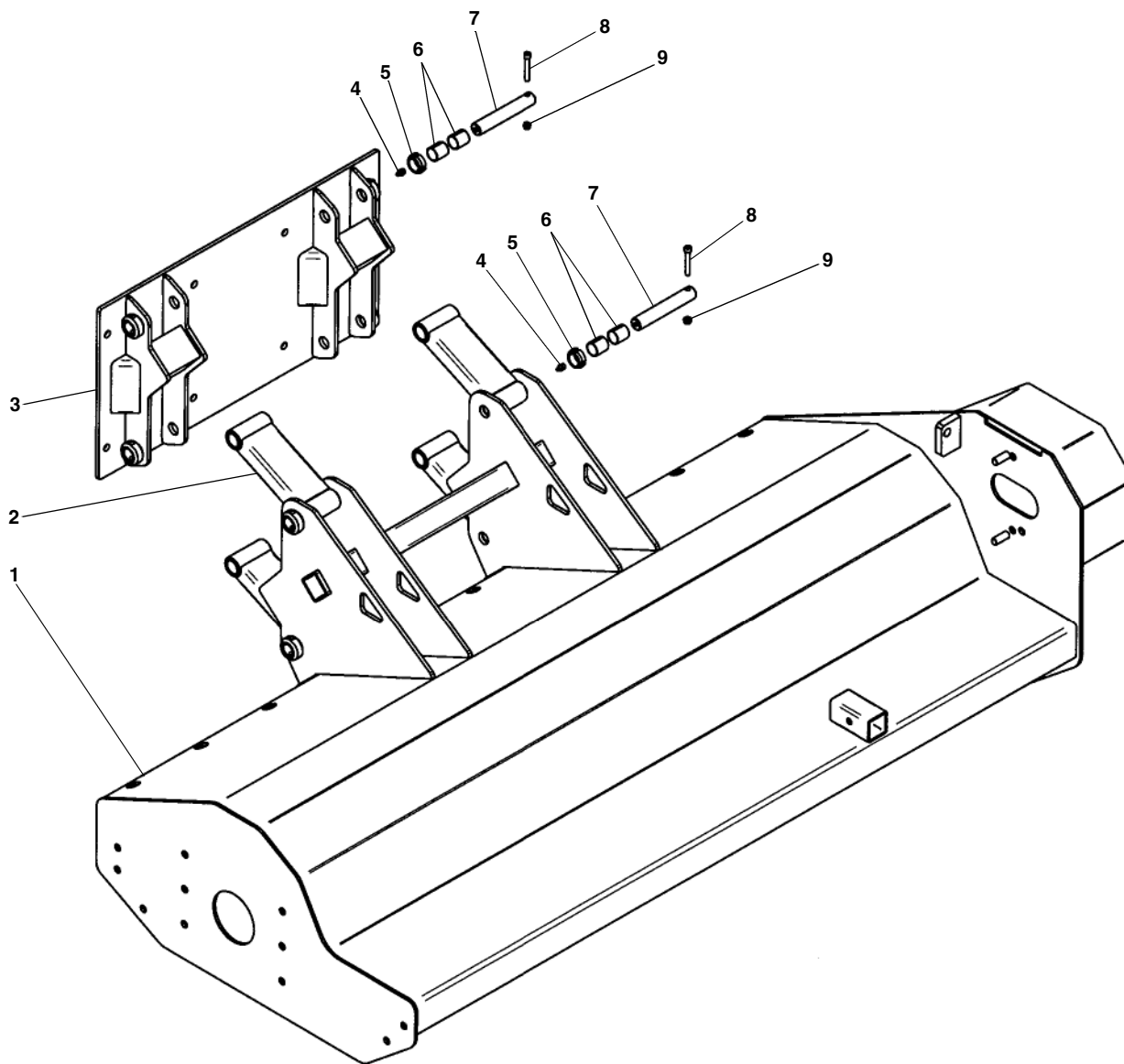
# TAV. 567

RIF.	CODICE	DESCRIZIONE	N.
14	3000091	KP 2400	13
	3000091	KP 2600	14
15	1111414	M14x40 UNI5739	4
16	1012414	M14 UNI7474	4
17	3007049		2
19	3005252	L=30	—
	3005253	L=35	—
20	3008685	L=70 KP 850	11
	3008685	L=70 KP 1000	13
	3008685	L=70 KP 1250	16
	3008685	L=70 KP 1500	20
	3008685	L=70 KP 1750	23
	3008685	L=70 KP 2000	26
	3008685	L=70 KP 2250	30
	3008685	L=70 KP 2400	32
	3008685	L=70 KP 2600 - 2600 S	34
	3008685	L=70 KP 2800 S	37
	3008685	L=70 KP 3000 S	40
	3008685	L=70 KP 3200 S	43
21	3008686	L=32	—

RIF.	CODICE	DESCRIZIONE	N.
------	--------	-------------	----

RIF.	CODICE	DESCRIZIONE	N.
------	--------	-------------	----

# TAV. 569/2





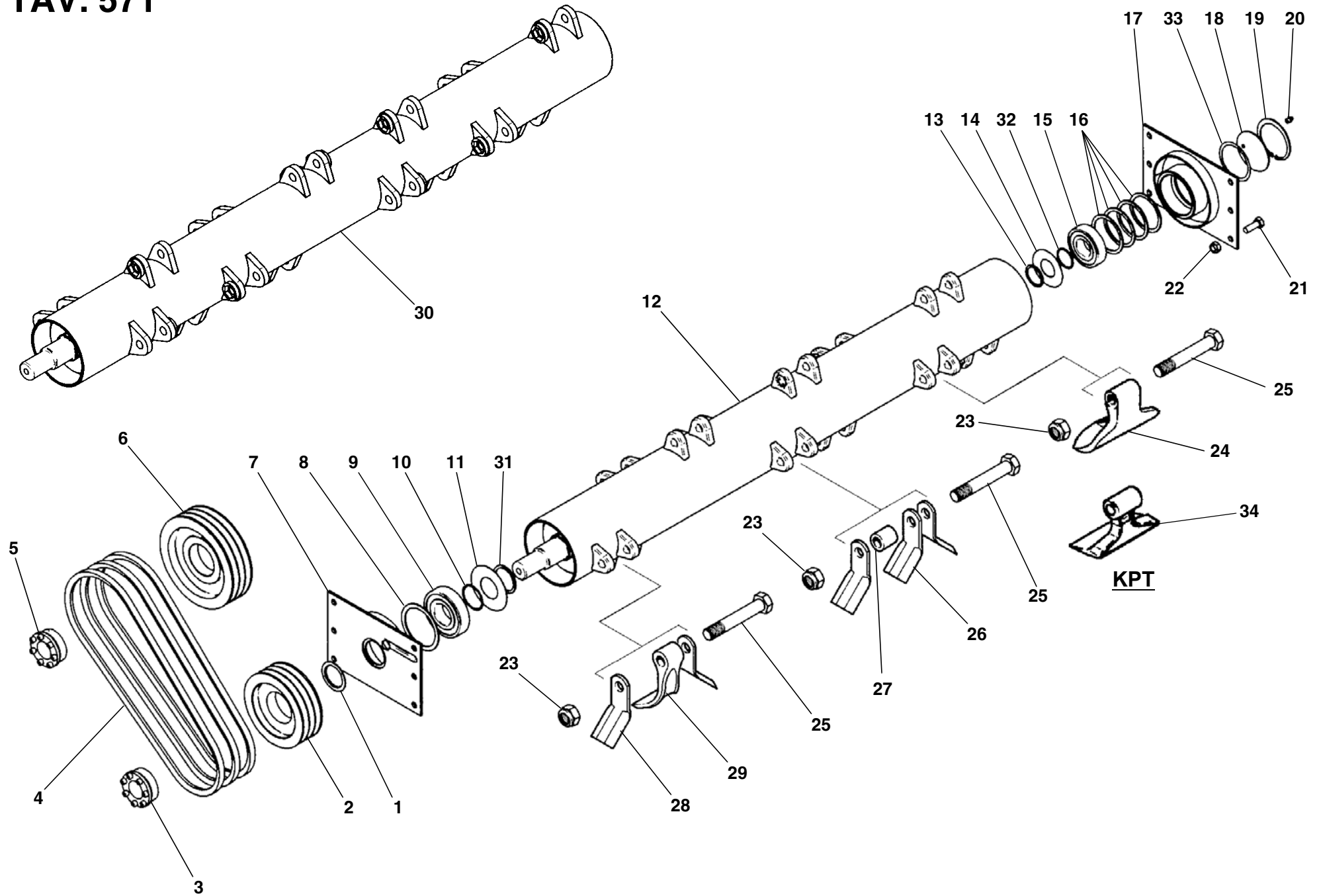
# TAV. 569/2

RIF.	CODICE	DESCRIZIONE	N.
1	3013238	KP 1750	1
2	3013153		4
3	3013151		1
4	0002654	M10x1	8
5	1036625	M25X1,5	8
6	0001490	KU 25x28x30	16
7	3005623		8
8	1120820	M8x55 UNI5931	8
9	1012408	M8 UNI7474	8

RIF.	CODICE	DESCRIZIONE	N.
------	--------	-------------	----

RIF.	CODICE	DESCRIZIONE	N.
------	--------	-------------	----

# TAV. 571



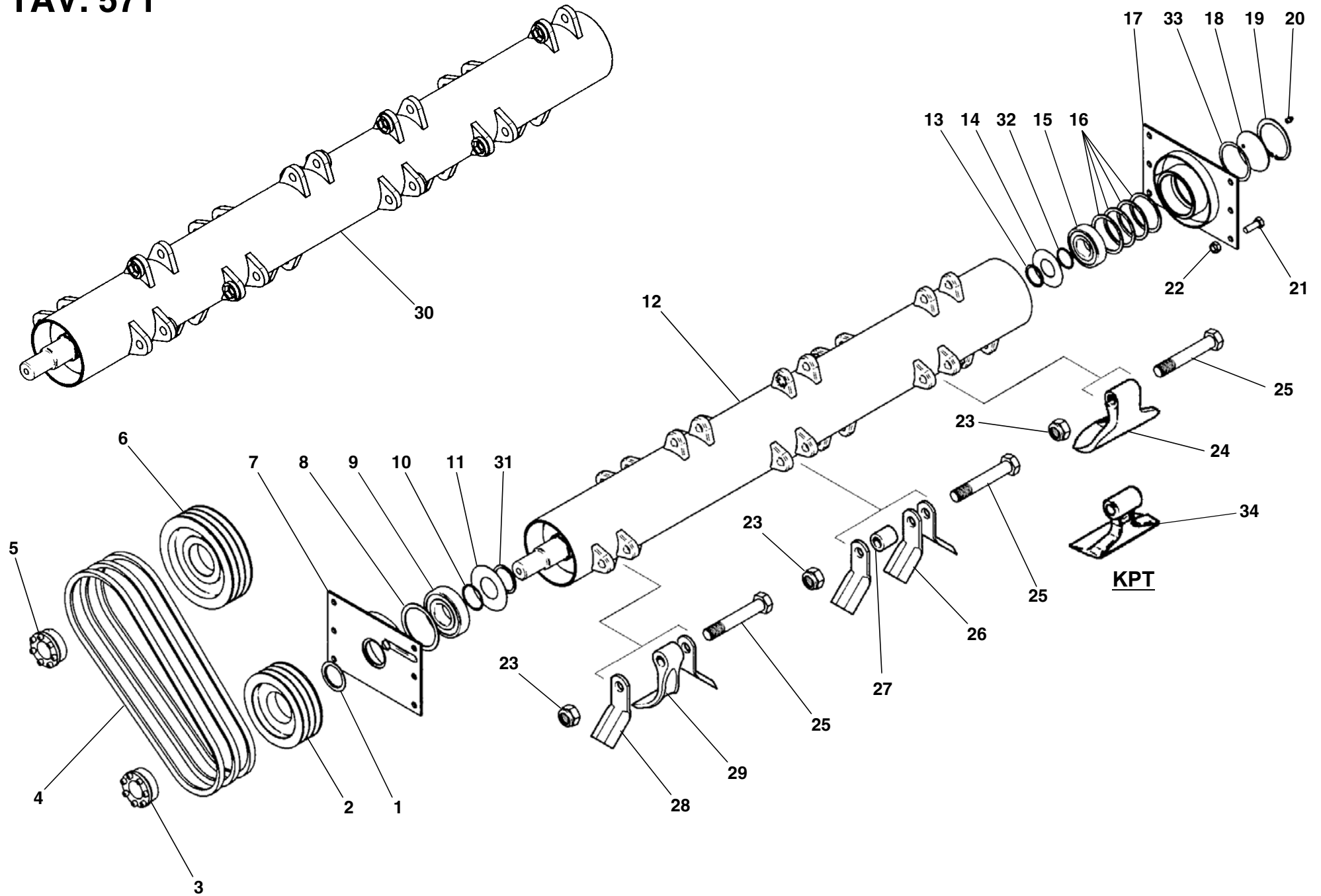
# TAV. 571

RIF.	CODICE	DESCRIZIONE	N.
1	0001821	55x75x5,5	1
2	3000380	130x3 SPB KP 850/1250 (540 rpm)	1
	3000369	180x3 SPB KP 1500 (540 rpm)	1
	<b>3000370</b>	<b>180x4 SPB KP 1750</b>	<b>1</b>
	3000099	160x5 SPB KP 2250/2600 (540 rpm)	1
	3000497	180x5 SPB KP 2600S/3000S (540 rpm)	1
	3000099	160x5 SPB KP 3200 (540 rpm)	1
	3000369	180x3 SPB KP 850/1250 (1000 rpm)	1
	3001663	225x3 SPB KP 1500 (1000 rpm)	1
	3001027	225x4 SPB KP 1750-2000 (1000 rpm)	1
	3000907	200x5 SPB KP 2250/3000S (1000 rpm)	1
	3001359	225x5 SPB KP 3200S (1000 rpm)	1
3	0001332	45x80	1
4	0001006	SPB-X 1320 KP 850/1250 (540-1000 rpm)	3
	0001016	SPB-X 1400 KP 1500 (540-1000 rpm)	3
	<b>0001016</b>	<b>SPB-X 1400 KP 1750</b>	<b>4</b>
	0001006	SPB-X 1320 KP 2250/2600 (540 rpm)	5
	0001016	SPB-X 1400 KP 2250/2600 (1000 rpm)	5
	0001016	SPB-X 1400 KP 2600S/3000S (540-1000 rpm)	5
	0001016	SPB-X 1400 KP 3200S (540rpm)	5
	0001000	SPB-X 1500 KP 3200S (1000 rpm)	5
5	0001333	35x80 KP 850/1250	1
	0001332	45x80 KP 1500/3200 S	1

RIF.	CODICE	DESCRIZIONE	N.
6	3000369	180x3 SPB KP 850/1250 (540 rpm)	1
	3001663	225x3 SPB KP 1500 (540 rpm)	1
	<b>3001027</b>	<b>225x4 SPB KP 1750</b>	<b>1</b>
	3000497	180x5 SPB KP 2250/2600 (540 rpm)	1
	3000725	212x5 SPB KP 2600S/3000S (540 rpm)	1
	3000497	180x5 SPB KP 3200S (540 rpm)	1
	3000380	130x3 SPB KP 850/1250 (1000 rpm)	1
	3000368	160x3 SPB KP 1500 (1000 rpm)	1
	3000102	160x4 SPB KP 1750-2000 (1000 rpm)	1
	3000497	180x5 SPB KP 2250/3000S (1000 rpm)	1
	3000907	200x5 SPB KP 3200S (1000 rpm)	1
7	3000225	Sx KP 850/2600	1
	3001404	Sx KP 2600S/3000S	1
	3008334	Sx KP 3200S	1
8	3001936	99x119x3	—
9	0001400	1311	1
10	3000347	58x65x1	—
11	3000346		1
12	3001279	KP 850	1
	3000286	KP 1000	1
	3000287	KP 1250	1
	3000288	KP 1500	1
	3000277	KP 1750	1
	3004281	KP 2000	1
	3000385	KP 2250	1
	3004502	KP 2400	1

RIF.	CODICE	DESCRIZIONE	N.
	3000391	KP 2600	1
	3002432	KP 2600 S	1
	3001414	KP 2800S	1
	3006481	KP 3000S	1
	3003054	KP 3200S	1
13	3002681	45,2x55x2 KP 850/3000S	—
	3000347	58x65x1 KP 3200S	—
14	3000345	KP 850/3000S	1
	3000346	KP 3200S	1
15	0001401	1309 KP 850/3000S	1
	0001400	1311 KP 3200S	1
16	3001935	89,2x99x3 KP 850/3000S	—
	3001936	99x119x3 KP 3200S	—
17	3001009	Dx KP 850/2600	1
	3001405	Dx KP 2600S/3000S	1
	3008335	Dx KP 3200S	1
18	3001012	KP 850/3000S	1
	3003067	KP 3200S	1
19	1020100	Seeger I 100 UNI7437 KP 850/3000S	1
	1020120	Seeger I 120 UNI7437 KP 3200S	1
20	0002654	M10x1	1
21	1111410	M14x30 UNI5739	12
22	1012414	M14 UNI7474	12
23	1012420	M20 UNI7474 KP 850-1000	8
	1012420	M20 UNI7474 KP 1250-1500	12

# TAV. 571



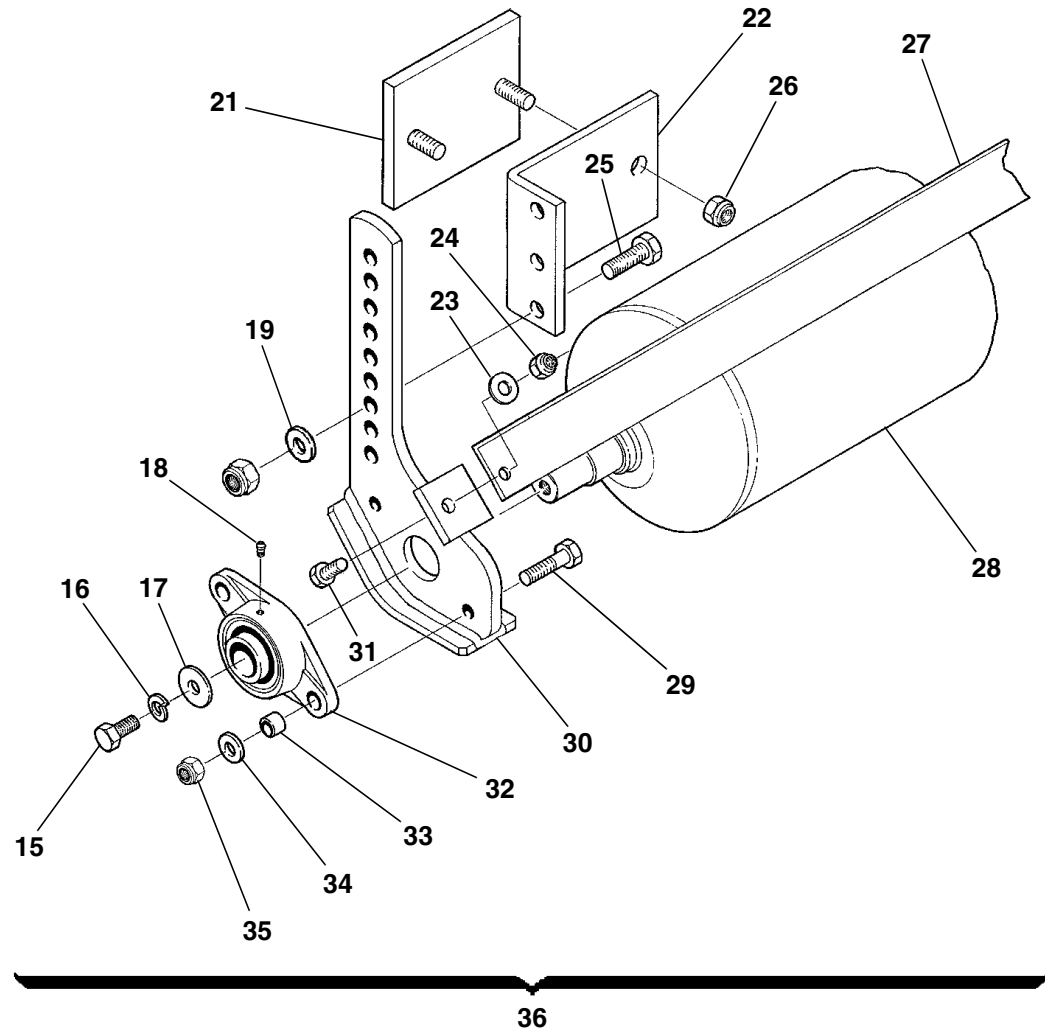
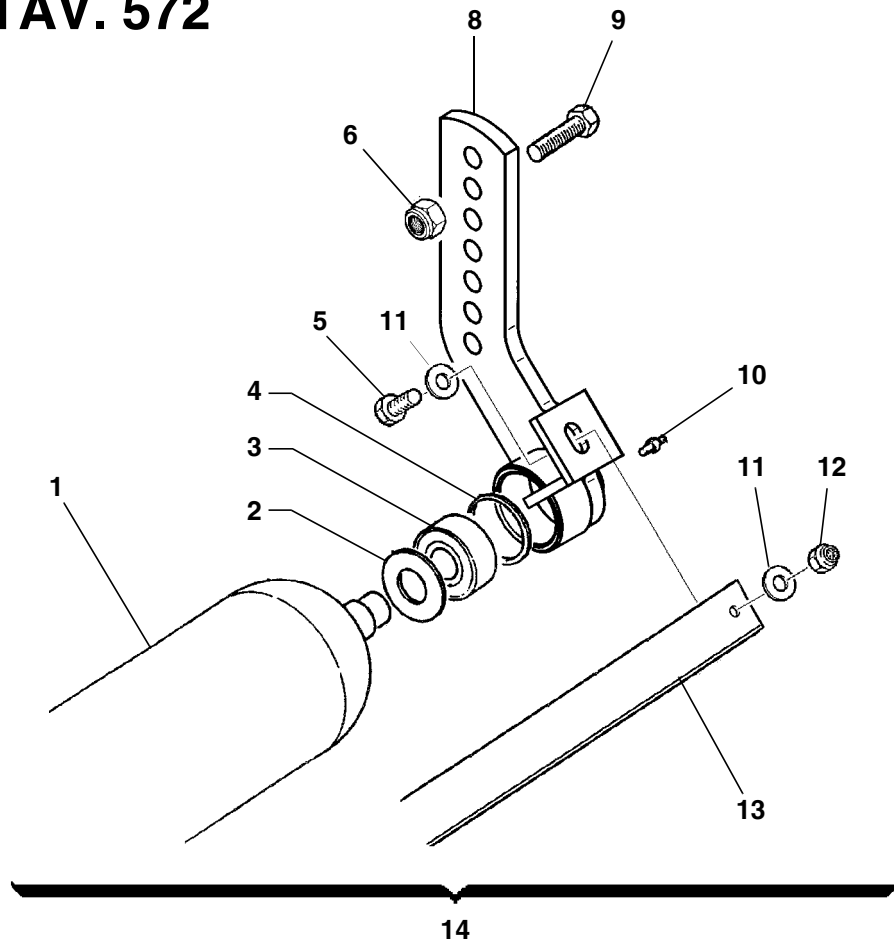
# TAV. 571

RIF.	CODICE	DESCRIZIONE	N.
	1012420	M20 UNI7474 KP 1750	16
	1012420	M20 UNI7474 KP 2000/2400	20
	1012420	M20 UNI7474 KP 2600	24
	1012420	M20 UNI7474 KP 2800S/3200S	32
24	3001119	KP 850-1000	8
	3001119	KP 1250-1500	12
	3001119	KP 1750	16
	3001119	KP 2000/2400	20
	3001119	KP 2600 - 2600 S	24
	3001119	KP 2800S/3200S	32
25	3002392	M20x120 KP 850-1000	8
	3002392	M20x120 KP 1250-1500	12
	3002392	M20x120 KP 1750	16
	3002392	M20x120 KP 2000/2400	20
	3002392	M20x120 KP 2600 - 2600 S	24
	3002392	M20x120 KP 2800S/3200S	32
26	3000323	KP 850-1000	24
	3000323	KP 1250-1500	36
	3000323	KP 1750	48
	3000323	KP 2000/2400	60
	3000323	KP 2600 - 2600 S	72
	3000323	KP 2800S/3200S	96
27	3000552	KP 850-1000	8
	3000552	KP 1250-1500	12
	3000552	KP 1750	16
	3000552	KP 2000/2400	20

RIF.	CODICE	DESCRIZIONE	N.
	3000552	KP 2600 - 2600 S	24
	3000552	KP 2800S/3200S	32
28	3000323	KP 850-1000	16
	3000323	KP 1250-1500	24
	3000323	KP 1750	32
	3000323	KP 2000/2400	40
	3000323	KP 2600 - 2600 S	48
	3000323	KP 2800S/3200S	64
29	3000548	KP 850-1000	8
	3000548	KP 1250-1500	12
	3000548	KP 1750	16
	3000548	KP 2000/2400	20
	3000548	KP 2600 - 2600 S	24
	3000548	KP 2800S/3200S	32
30	3007877	KP 1250	1
	3006483	KP 1500	1
	3006006	KP 1750	1
	3006007	KP 2000	1
	3006347	KP 2250	1
31	3000640	58,5x71x3	—
32	3000180	45x51,5x1,5 KP 850/3000S	—
	3000347	58x65x1 KP 3200S	—
33	3001123	83,5x99x1 KP 850/3000S	—
	3004403	99x119x1 KP 3200S	—
34	3011270	KP 850-1000	8
	3011270	KP 1250-1500	12

RIF.	CODICE	DESCRIZIONE	N.
	3011270	KP 1750	16
	3011270	KP 2000/2400	20
	3011270	KP 2600 - 2600 S	24
	3011270	KP 2800S/3200S	32

# TAV. 572



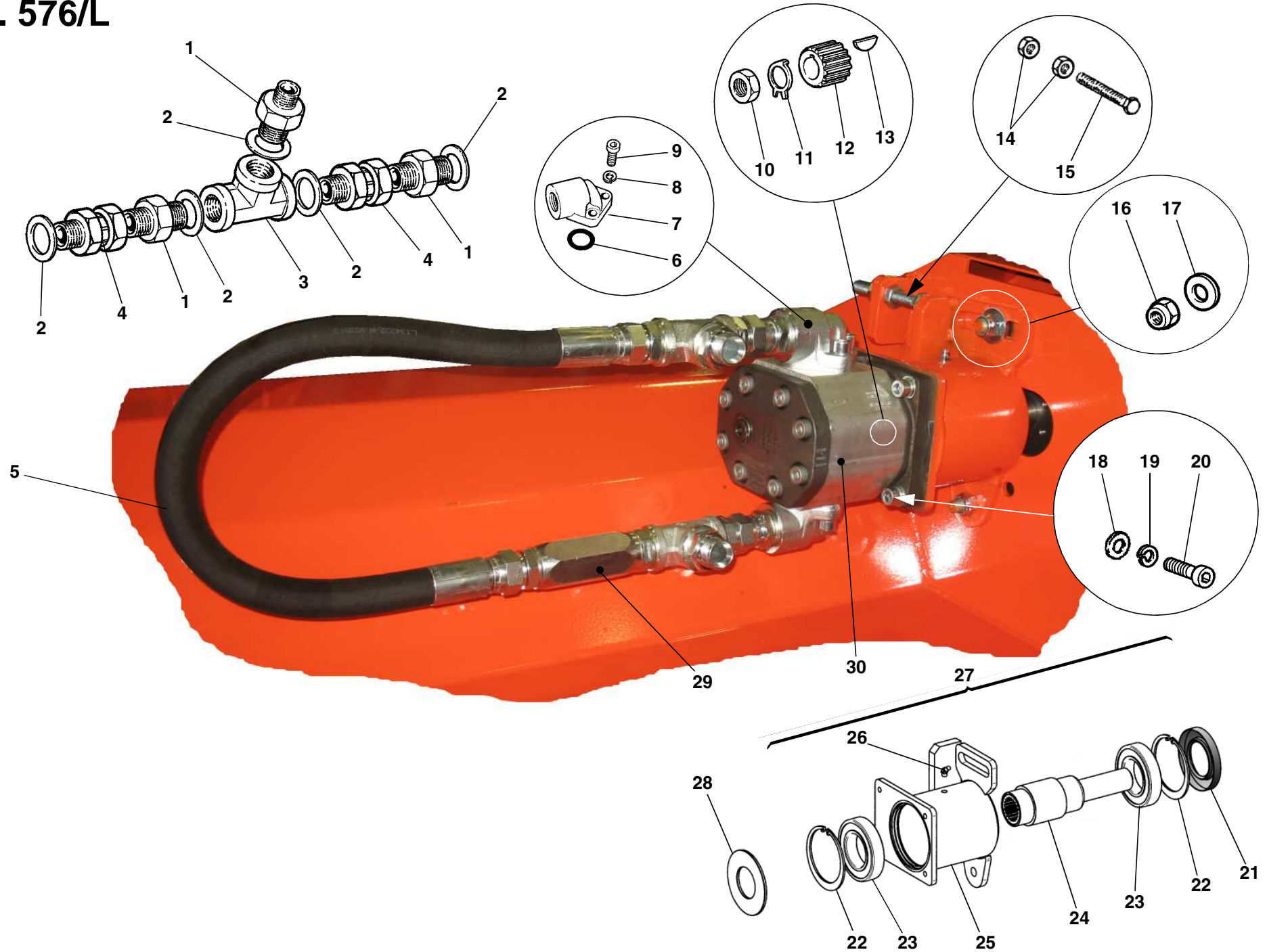
# TAV. 572

RIF.	CODICE	DESCRIZIONE	N.
1	3001299	KP 850	1
	3000428	KP 1000	1
	3001795	KP 1250	1
	3001263	KP 1500	1
	3001264	KP 1750	1
	3001265	KP 2000	1
	3002540	KP 2250	1
	3004517	KP 2400	1
	3002562	KP 2600	1
2	3000486		2
3	0001411	6205 2RS	2
4	3000180	45x51,5x1,5	—
5	1111010	M10x30 UNI5739	2
6	1012414	M14 UNI7474	4
8	3001853	Dx	1
	3001854	Sx	1
9	1111414	M14x40 UNI5739	4
10	0002654	M10x1	2
11	1310303	10x30x3 UNI6593	4
12	1012410	M10 UNI7474	2
13	3001302	KP 850	1
	3001226	KP 1000	1
	3001796	KP 1250	1
	3001370	KP 1500	1
	3001371	KP 1750	1
	3001372	KP 2000	1
	3002541	KP 2250	1
	3004518	KP 2400	1

RIF.	CODICE	DESCRIZIONE	N.
	3002563	KP 2600	1
14	8391001	KP 850	1
	8231001	KP 1000	1
	8241001	KP 1250	1
	8251001	KP 1500	1
	8261001	KP 1750	1
	8271001	KP 2000	1
	8281001	KP 2250	1
	8940001	KP 2400	1
	8291002	KP 2600	1
15	1111208	M12x25 UNI5739	2
16	1212000	ø12 UNI1751	2
17	1312363	ø12 UNI6593	2
18	0002659	M6	2
19	1012414	M14 UNI7474	4
21	3000157	KP 1250/2400	2
	3002035	KP 2600	2
22	3000057		2
23	1310303	ø10 UNI6593 KP 1250/2000	4
	1312363	ø12 UNI6593 KP 2250/2600	4
24	1012410	M10 UNI7474 KP 1250/2000	2
	1012412	M12 UNI7474 KP 2250/2600	2
25	1111414	M14x40 UNI5739	4
26	1012414	M14 UNI7474 KP 1250/2400	4
	1012416	M16 UNI7474 KP 2600	4
27	3001089	KP 1250	1
	3002190	KP 1500	1
	3002564	KP 1750	1

RIF.	CODICE	DESCRIZIONE	N.
	3001091	KP 2000	1
	3001092	KP 2250-2400	1
	3002154	KP 2600	1
28	3000543	KP 1250	1
	3001872	KP 1500	1
	3002466	KP 1750	1
	3000545	KP 2000	1
	3000546	KP 2250-2400	1
	3002153	KP 2600	1
29	1101216	M12x45 UNI5737	4
30	3002527	Dx	1
	3002528	Sx	1
31	1111010	M10x30 UNI5739 KP 1250/2000	2
	1111212	M12x35 UNI5739 KP 2250/2600	2
32	0001412		2
33	3000513		4
34	1112000	ø12 UNI6592	4
35	1012412	M12 UNI7474	4
36	8241009	KP 1250	1
	8251005	KP 1500	1
	8261002	KP 1750	1
	8271002	KP 2000	1
	8040002	KP 2250-2400	1
	8490001	KP 2600	1

# TAV. 576/L





# TAV. 576/L

RIF.	CODICE	DESCRIZIONE	N.
1	0002306	3/4"	7
2	0002026	3/4"	9
3	2000991	3/4"	2
4	0002345	3/4"	2
5	0005864		1
6	0001765	OR 4118	2
7	0002306	3/4"x56	2
8	1210000	∅10 UNI1751	6
9	1121010	M10x30 UNI5931	6
10	1021514	M14x1,5 UNI5589	1
11	0002986		1
12	2000562		1
13	1551007	4x7,5x18,57 UNI6606	1
14	1012516	M16 UNI5588	2
15	1111638	M16x100 UNI5739	1
16	1012414	M14 UNI7474	2
17	3001118	14,5x35x5	2
18	1110000	∅10 UNI6592	4
19	1210000	∅10 UNI1751	4
20	1121014	M10x40 UNI5931	4
21	0001831	55x100x13	1
22	1020100	Seeger I100 UNI7437	2
23	0001488	6211-2RS	2
24	3007773		1
25	3013096		1
26	0002654	M10x1	1
27	3013097		1

RIF.	CODICE	DESCRIZIONE	N.
28	3004762		1
29	0004193	3/4"	1
30	0008721		1

RIF.	CODICE	DESCRIZIONE	N.
------	--------	-------------	----

