

Onderdelenlijst BeCx Heggensnoeier HS131HR Collect

Versie; 07-05-18

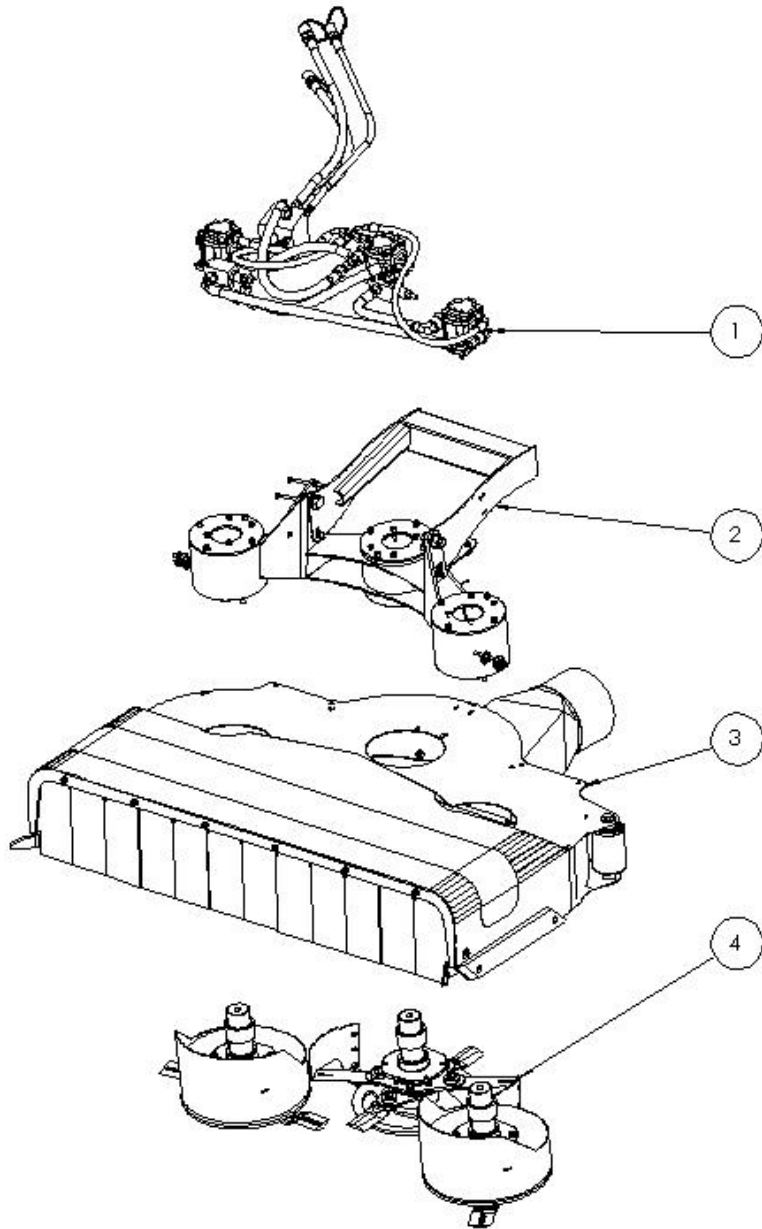
Compleet overzicht	Complete overview	blz. 2
Hydraulica	Hydraulics	blz. 3
Frame	Frame	blz. 4
Kap	Body	blz. 6
Middelste messenkop	Middle cutting unit	blz. 8
Links/ rechtse messenkop	Left/ right cutting unit	blz. 10

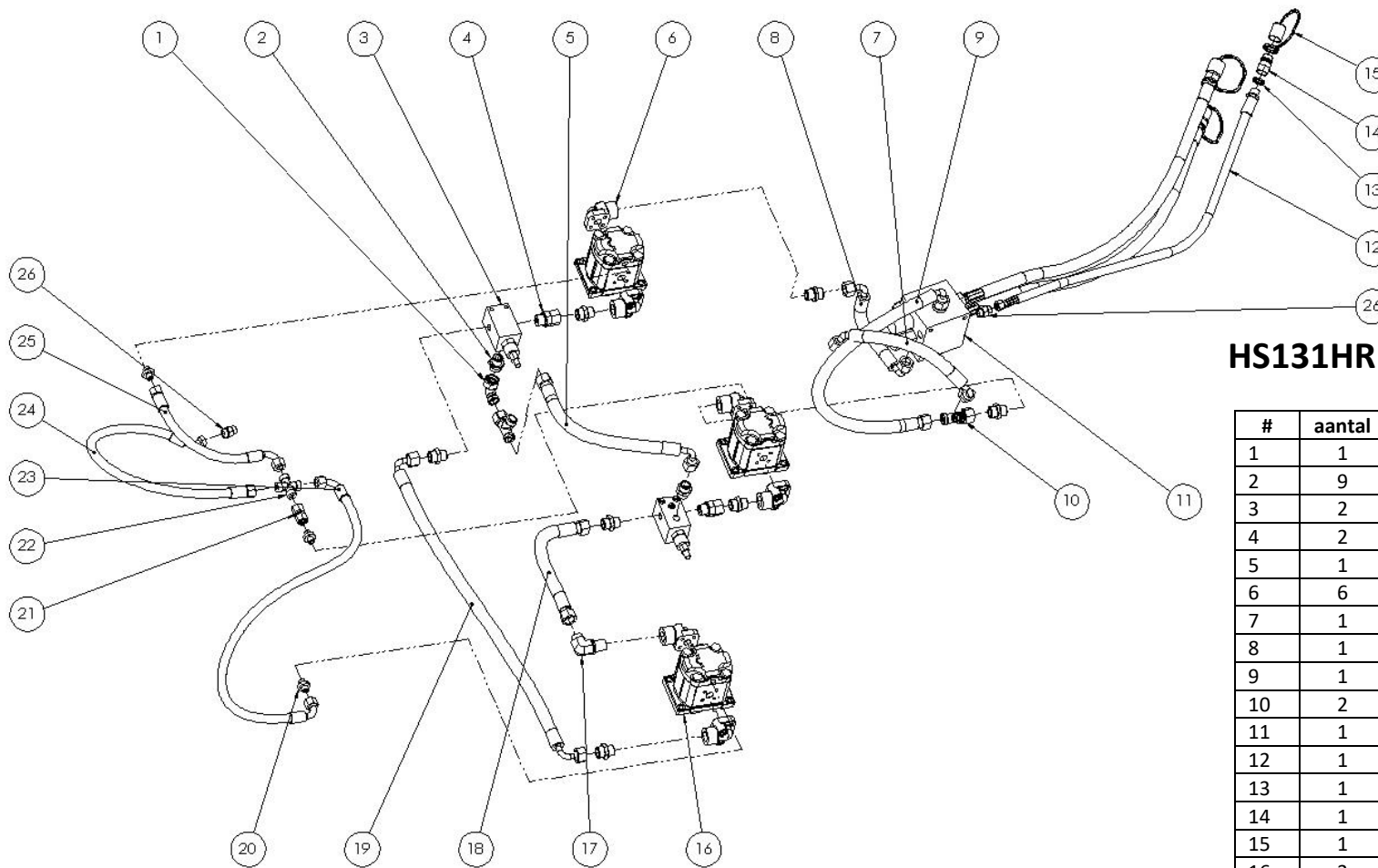


Becx Tuinmachines Moergestel B.V.
De Sonman 35
5066 GJ Moergestel
+31 (0)13 - 513 1140
moergestel@becxtuinmachines.nl
<http://www.becxmachines.com>

HS131HR collect | Compleet | Complete

#	Aantal / Number	Omschrijving	Description
1	1	Hydraulica	Hydraulics
2	1	Frame	Frame
3	1	Beschermkap	Protectioncover
4	3	Messenkoppen	Cutting-units

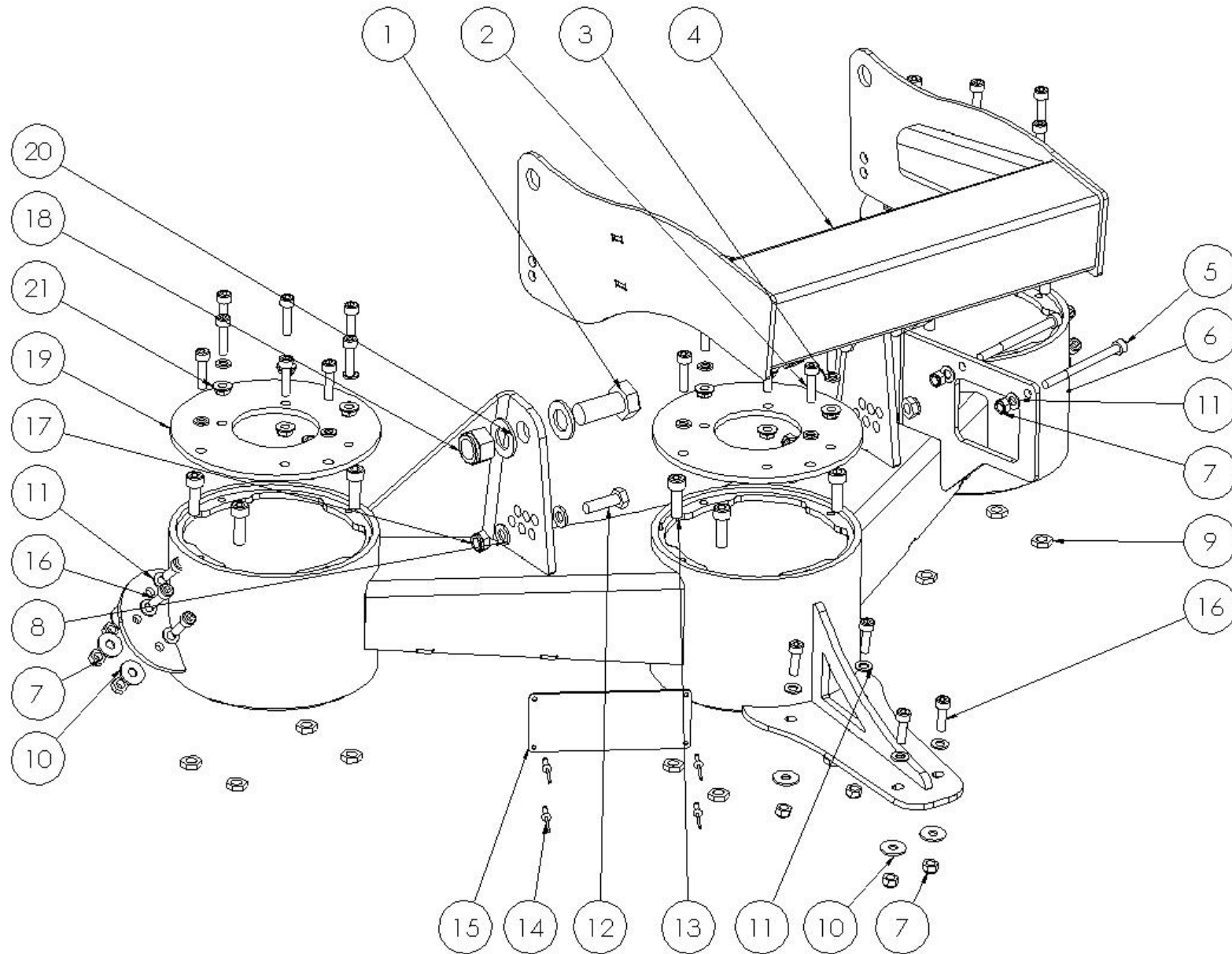




HS131HR collect | Hydrauliek | Hydraulics

#	aantal	Artikelcode	Omschrijving	Description
1	1	BEC406100	EVW-15L-BO	EVW-15L-BO
2	9	BEC012200	GE-15LRDE-1-2-BO	GE-15LRDE-1-2-BO
3	2	BEC065100	VMP-1/2-P-200BAR	VMP-1/2-P-200BAR
4	2	BEC066600	EVGE-15LRDE-1/2	EVGE-15LRDE-1/2
5	1	BEC015700	Slang 5	Hose 5
6	6	BEC011101	RR35X12HA	RR35X12HA
7	1	BEC015800	Slang 6	Hose 6
8	1	BEC015400	Slang 2	Hose 2
9	1	BEC015600	Slang 1	Hose 1
10	2	BEC405900	EVL-15L-BO	EVL-15L-BO
11	1	BEC500200	Afgestelde manifold	Adjusted Manifold
12	1	BEC014600	Lekleiding 4	Leakline 4
13	1	BEC170700	1071-3-8	1071-3-8
14	1	BEC013100	NV-38GAS-M	NV-38GAS-M
15	1	BEC013400	TF-38 BLAUW	TF-38 BLAUW
16	3	BEC011211	Hydromotor 16cc	Hydromotor 16cc
17	1	BEC173000	WEE-15LR-1-2-BO	WEE-15LR-1-2-BO
18	1	BEC015200	Slang 4	Hose 4
19	1	BEC015100	Slang 3	Hose 3
20	3	BEC172600	GE-12LMDE-12-BO	GE-12LMDE-12-BO
21	1	BEC010500	GVO-12L-12L	GVO-12L-12L
22	1	BEC010400	K-12-L-BO	K-12-L-BO
23	1	BEC014300	Lekleiding 3	Leakline 3
24	1	BEC014500	Lekleiding 2	Leakline 2
25	1	BEC014400	Lekleiding 1	Leakline 1
26	2	BEC172900	GE-12LRDE-3/8-BO	GE-12LRDE-3/8-BO

HS131HR collect | Frame | Frame



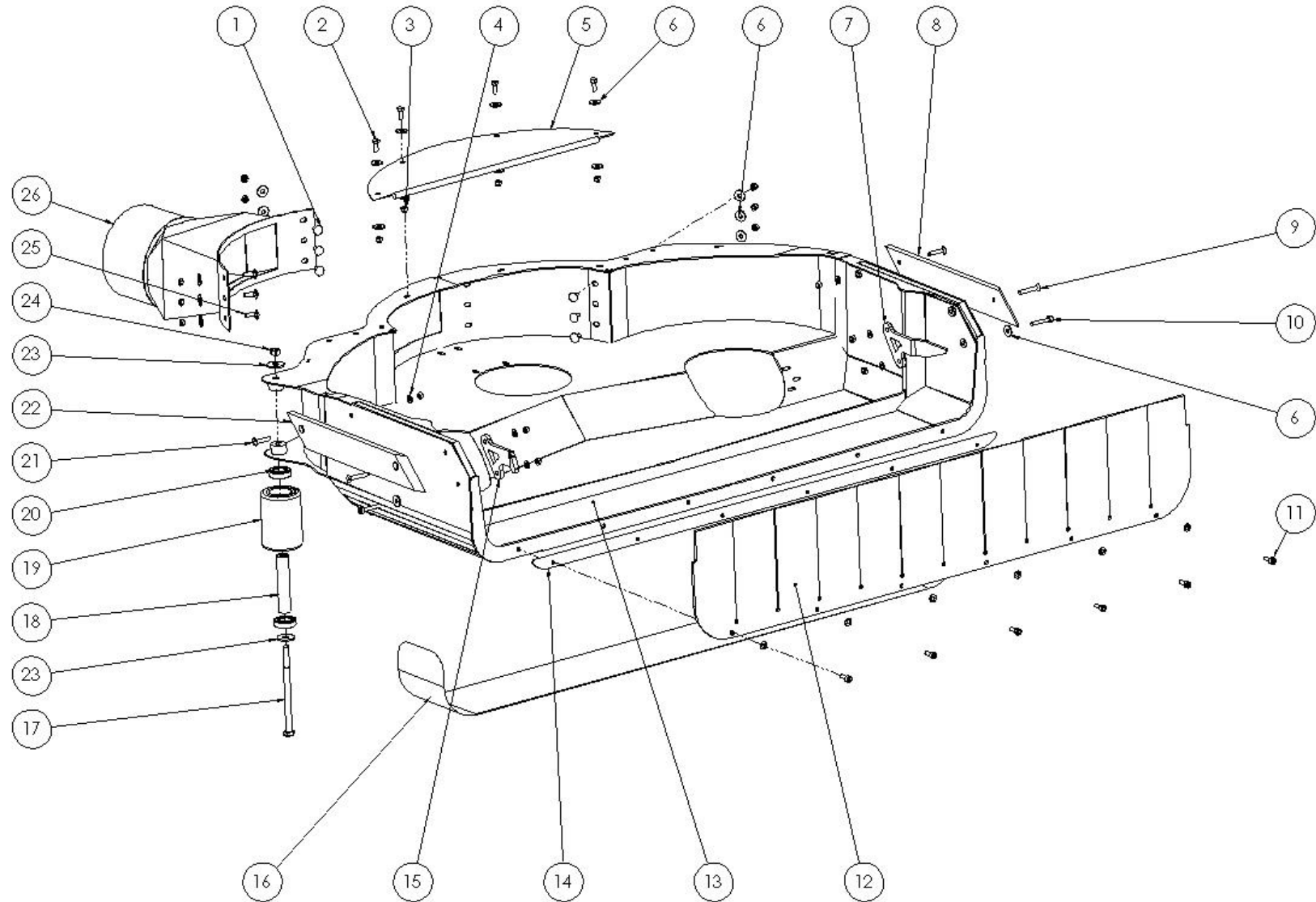
HS131HR collect | Frame | Frame

#	Aantal / Number	Artikelcode	Omschrijving	Description
1	2	9332045	Bout M20 x 45	Bolt M20 x 45
2	24	912830	Inbus M8 x 30	Socket M8 x 30
3	12	127B8	Veerring M8	Spring washer M8
4	1	BEC401700	Montagebeugel	Mounting Beam
5	2	9128100	Inbus M8 x 100	Socket M8 x 100
6	1	BEC400200	Hoofdframe	Main frame
7	12	9858	Borgmoer M8	Locknut M8
8	4	125A10	Sluitring M10	Washer M10
9	12	439B10	Moer M10	Nut M10
10	10	9021A8	Carrosseriering M8	Washer M8
11	12	125A8	Sluitring M8	Washer M8
12	2	9331035	Bout M10 x 35	Bolt M10 x 35
13	12	9121030	Inbus M10 x 30	Socket M10 x 30
14	4	BN410	Blindniet 4mm	Rivet 4mm
15	1	BEC000001	Typeplaat	Type plate
16	10	912825	Inbus M8 x 16	Socket M8 x 16
17	2	98510	Borgmoer M10	Locknut M10
18	2	98520	Borgmoer M20	Locknut M20
19	3	BEC060100	Motor montageplaat	Motor mounting plate
20	4	125A20	Sluitring M20	Washer M20
21	12	8VT	Moer TENSILOCK M8	Nut TENSILOCK M8

Los meegeleverd - supplied separately - separat geliefert:

#	Aantal / Number	Artikelcode	Omschrijving	Description
23	1	BEC020600	Sleutel1	Tool1
24	1	BEC020700	Sleutel2	Tool2

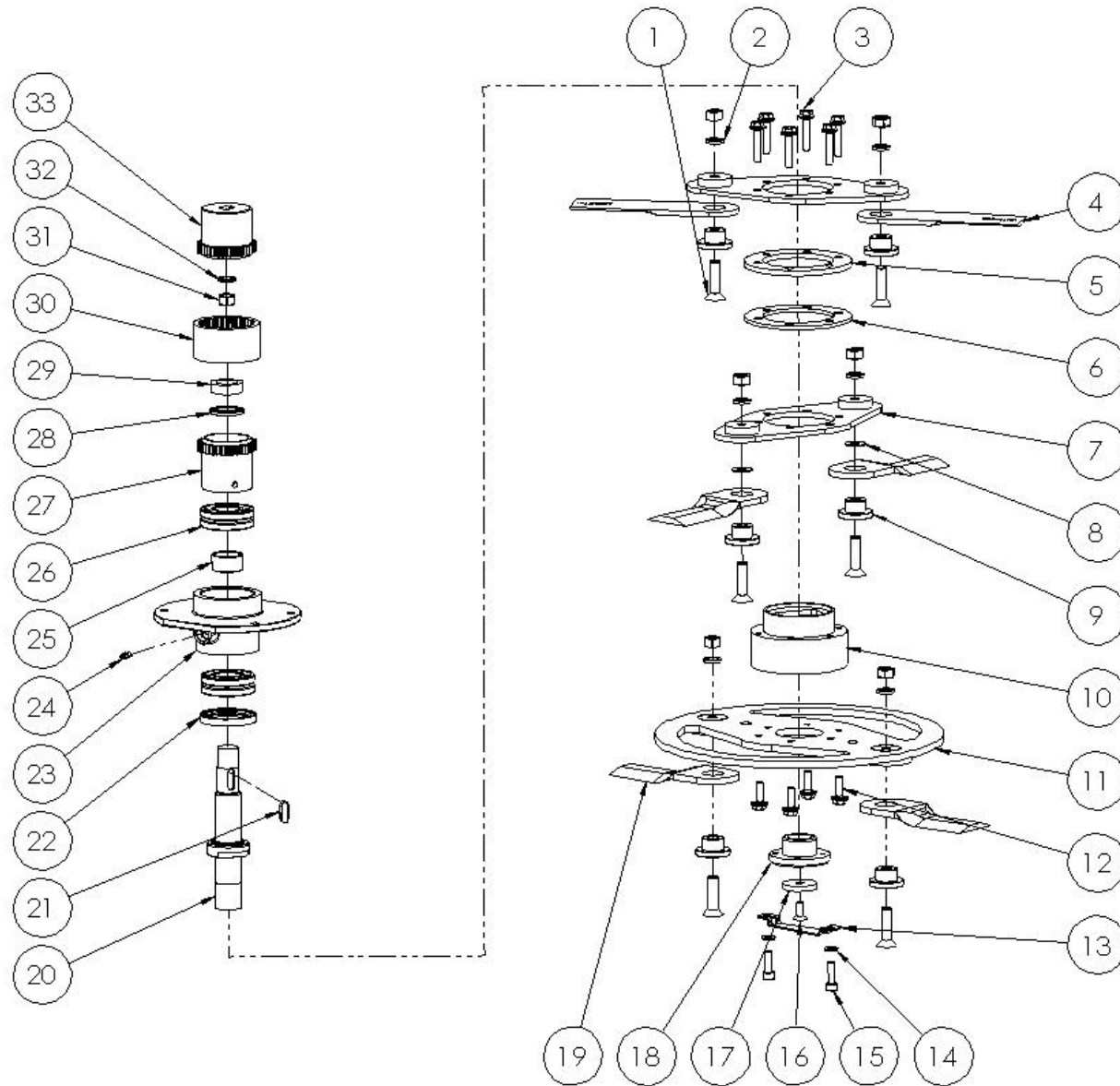
HS131HR collect | Beschermkap | Body



HS131HR collect | Beschermkap | Body

#	aantal	Artikelcode	Omschrijving	Description
1	6	60382088	Slotbout M8X20	Locket M8X20
2	4	933820	Tapbout M8X20	Stud bolt M8X20
3	19	9858	Borgmoer M8	Locknut M8
4	12	125A8	Sluitring M8	Washer M8
5	1	BEC402000	Beschermplaat	Protection plate
6	19	9021A8	Carrosseriering M8	Washer-body M8
7	1	BEC400700	Lage takken pin rechts	Low Branches Pin right
8	1	BEC401100	Slijtstrip rechts	Anti-wear right
9	2	7991850	Verzonken inbus M8 x 50	Countersunk socket M8 x 50
10	2	912845	Inbus M8 x 45	Socket-head M8 x 45
11	6	912820	Inbus M8 x 20	Socket-head M8 x 20
12	1	BEC400900	Lamellen	Fins
13	1	BEC400300	Kap	Safety-Body
14	1	BEC401000	Lamellenstrip	Fin-mounting-strip
15	1	BEC400600	Lage takken pin links	Low Branches Pin left
16	1	BEC231000	Becx sticker	Becx sticker
17	1	93112190	Bout M12 x 190	Bolt M12 x 190
18	1	BEC401300	Wielbus	Wheeldrum
19	1	BEC401200	Wiel	Wheel
20	2	60052RSGP	Wiellager	Wheel Bearing
21	2	7991840	Verz. inbus M8 x 40	Counters. socket M8 x 40
22	1	BEC400800	Slijtstrip links	Anti-wear left
23	2	9021A12	Carrosseriering M12	Washer-body M12
24	1	93412	Borgmoer M12	Locknut M12
25	3	60382588	Slotbout M8X25	Locket M8X25
26	1	BEC403500	Afzuigtrechter	Suction funnel

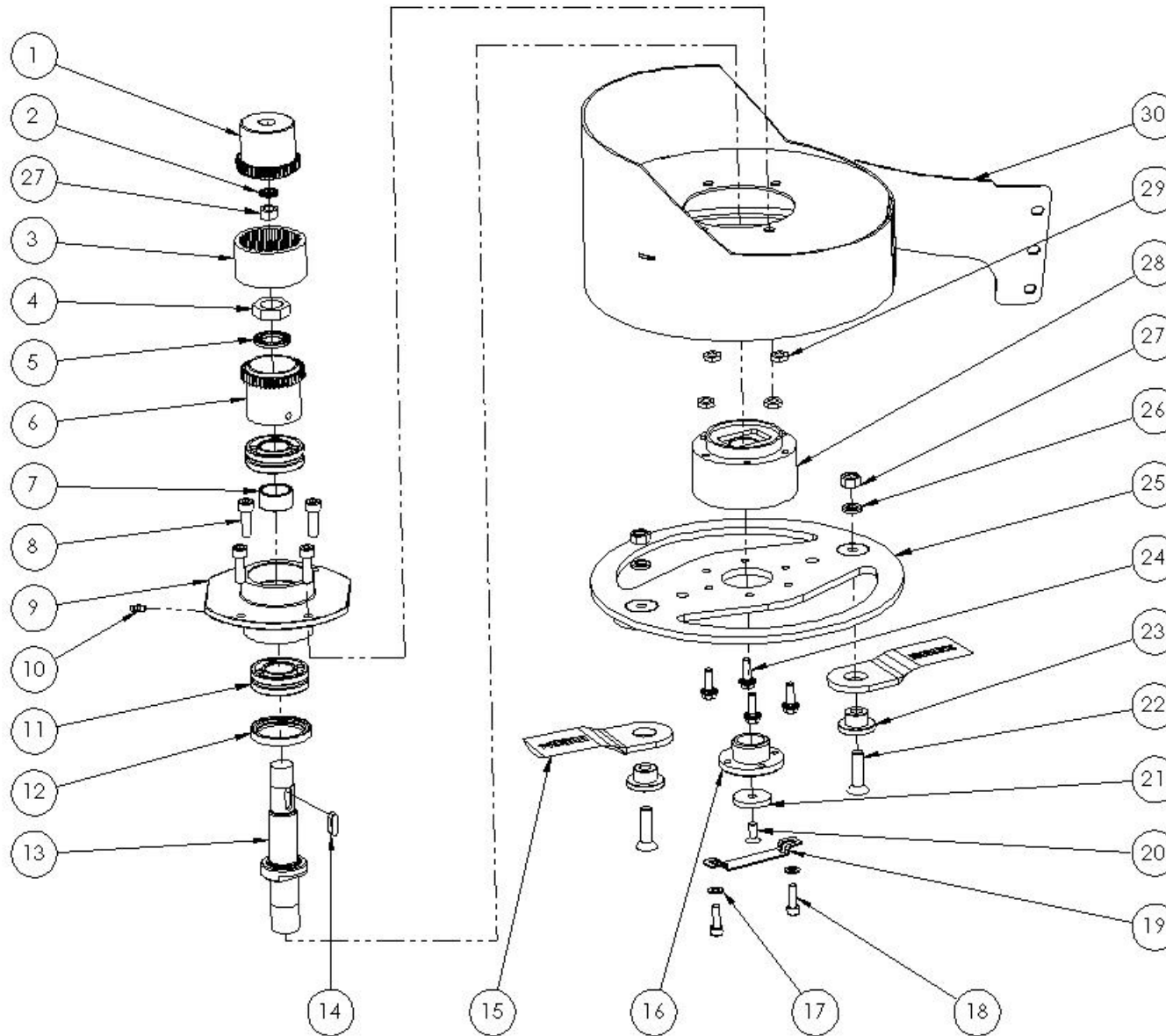
HS131HR collect | Middelste messenkop | Middle cutting unit



HS131HR collect | Middelste messenkop | Middle cutting unit

#	Aantal / Number	Artikelcode	Beschrijving	Description
1	6	BEC090500	Mesbout	Knife-mounting-bolt
2	6	127B12	Veerring M12	Springer washer M12
3	6	840VT	Tensilock bout M8 x 40	Tensilock Bolt M8 x 40
4	2	BEC041101	Bovenmes HS131HR	Upper blade HS131HR
5	1	BEC390300	Beschermingsring aluminium klos	Protection ring aluminium hub
6	1	BEC390600	Beschermingsring aluminium klos	Protection ring aluminium hub
7	2	BEC390100	Bovenschijf HS131HR	Upper knife mountingdisk HS131HR
8	2	988122410P025	Opvulschijf 12x14x1.0	Fill disc 12x14x1.0
9	6	BEC090400	Mesbus HS131HR	Knife ring HS131HR
10	1	BEC041510	Al. klos Messchijf	Aluminium hub
11	1	BEC390200	Onderschijf HS131HR	Lower knife mountingdisk HS131HR
12	4	825VT	Tensilock bout M8 x 25	Tensilock Bolt M8 x 25
13	1	BEC390700	Borgplaatje	Retaining plate
14	2	125A8	Sluitring M8	Washer M8
15	2	912825	Inbus M8 x 25	Socket-head M8 x 25
16	1	7991820	Verz. inbus M8 x 20	Counters. socket M8 x 20
17	1	BEC041800	Borgring	Retaining ring
18	1	BEC041700	Flensmoer	Flange-nut
19	4	BEC090200	Ondermes HS131HR	Lower blade HS131HR
20	1	BEC040800	Hoofdas	(Main)Shaft
21	1	BEC042200	Spie	Key
22	1	BEC041400	Keerring 50658cc	Seal 50658cc
23	1	BEC040401	Lagerhuis	Bearing house
24	1	BEC040600	Smeernippel M6	Grease nipple M6
25	1	BEC040500	Afstand bus lager	Bearing spacer
26	2	BEC040300	Becx lager	Becx bearing
27	1	BEC040220	Koppelingshelft as 25mm	Motor connection (shaft part 25mm)
28	1	BEC042100	Nordlockring	Nordlockring
29	1	BEC040100	Moer M24 x 1.5	Nut M24 x 1.5
30	1	BEC042300	Kunststof beveiliging	Nylon overload-prot.
31	7	93412	Moer M12	Nut M12
32	1	NL12GEL	Nordlockring M12	Nordlockring M12
33	1	BEC040230	Koppelinshelft motordeel consich	motor connection (motor part, conical)

HS131HR collect | Linkse & rechtse messenkop | Left & right cutting unit



HS131HR collect | Linkse/rechtse messenkop | Left/ right cutting unit

#	Aantal / Number	Artikelcode	Beschrijving	Description
1	1	BEC040230	Koppelinshelft motordeel consich	motor connection (motor part, conical)
2	1	NL12GEL	Nordlockring M12	Nordlockring M12
3	1	BEC042300	Kunststof beveiliging	Nylon overload-prot.
4	1	BEC040100	Moer M24 x 1.5	Nut M24 x 1.5
5	1	BEC042100	Nordlockring	Nordlockring
6	1	BEC040220	Koppelingshelft as 25mm	Motor connection (shaft part 25mm)
7	1	BEC040500	Afstand bus lager	Bearing spacer
8	4	9121030	Inbus M10X30	Socket M8 x 30
9	1	BEC040401	Lagerhuis	Bearing house
10	1	BEC040600	Smeernippel M6	Grease nipple M6
11	2	BEC040300	Becx lager	Becx bearing
12	1	BEC041400	Keerring 50658cc	Seal 50658cc
13	1	BEC040800	Hoofdas	(Main)Shaft
14	1	BEC042200	Spie	Key
15	2	BEC090200	Ondermes HS131HR	Lower blade HS131HR
16	1	BEC041700	Flensmoer	Flange-nut
17	2	125A8	Sluitring M8	Washer M8
18	2	912825	Inbus M8 x 25	Socket-head M8 x 25
19	1	BEC390700	Borgplaatje	Retaining plate
20	1	7991820	Verz. inbus M8 x 20	Counters. socket M8 x 20
21	1	BEC041800	Borgring	Retaining ring
22	2	BEC090500	Mesbout	Knife-mounting-bolt
23	2	BEC090400	Mesbus HS131HR	Knife ring HS131HR
24	4	825VT	Tensilock bout M8 x 25	Tensilock Bolt M8 x 25
25	1	BEC390200	Onderschijf HS131HR	Lower knife mountingdisk HS131HR
26	4	127B12	Veerring M12	Springer washer M12
27	3	93412	Moer M12	Nut M12
28	1	BEC041510	Al. klos Messchijf	Aluminium hub
29	4	439B10	Lage moer M10	Low nut M10
30	1	BEC411600	Meskap links	Knife cover left
31	1	BEC411500	Meskap rechts	Knife cover right

*Nummer 31 staat niet op tekening

*Number 31 is not on drawing.