

Parts Manual for

WGC No: 7354846

120 HEAD ASSY

Print date: 04/12/2012

Applicable to Works Order No: 89387B

For Serial No: M1229469



All parts are not created equal and before you settle on an imitation part, know this - McConnel Genuine Parts offer the safety, durability and warranty protection you expect. You've made an investment in your equipment; now invest in its future.

- We design and build to exact specifications requiring strict chemical strength and performance characteristics. (Never reverse engineered like imitation parts).
- McConnel Genuine Parts meet the rigid guidelines necessary to satisfy warranty requirements.
- Our parts experts are available to answer any questions and have first -hand knowledge of all equipment.
- McConnel Genuine Parts are tested to meet all safety standards.
- McConnel parts have a 6 month warranty when fitted by an authorised Dealer.

McCONEL LIMITED

For parts supply contact your local Dealer or Stockist

To help them help you, always quote:

- ***Machine Type***
- ***Serial Number***
- ***Part Number***

Design improvements may alter some of the parts listed in this manual – the latest part will always be supplied when it is interchangeable with an earlier one.

McCONEL PARTS DEPARTMENT

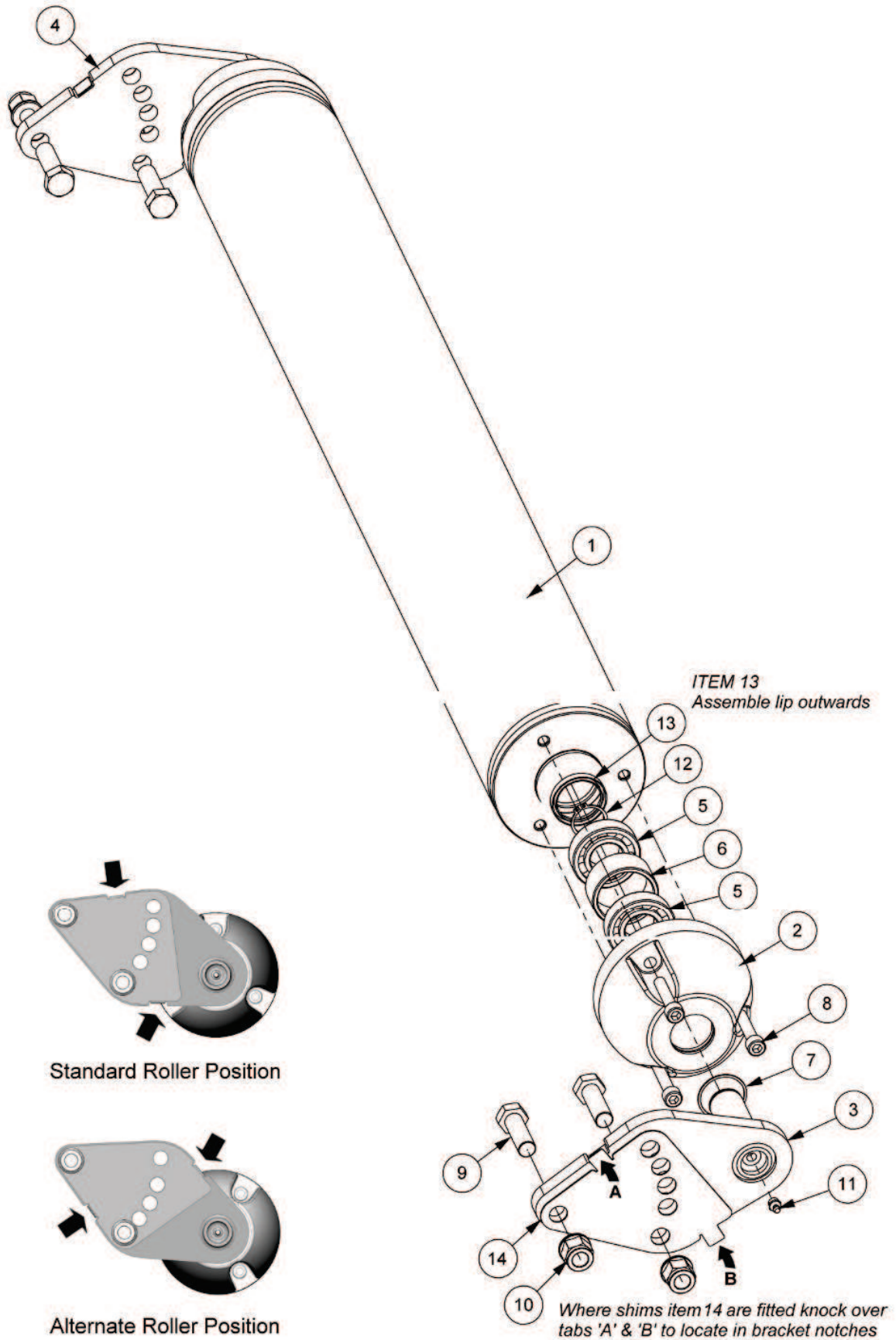
Telephone: +44 (0)1584 873131 **Fax:** +44 (0)1584 872223
Direct Parts Line: +44 (0)1584 876888 **Email:** parts@mcconnel.com

CONTENTS

Page No	Schedule No	Schedule Description
3	21523.08	ROLLER ASSY
5	21541.01	FLAP KIT
7	22494.48	CASING MODULE
9	22495.50	DRIVE MODULE
11	22496.43	COVER MODULE
13	22497.06	1.2M ROTOR MODULE
15	22498.01	QUAD DRIVE MODULE
17	23030.04	HOSE KIT
19	23149.01	STOP KIT
21	7350709	STICKER MODULE

* optional component

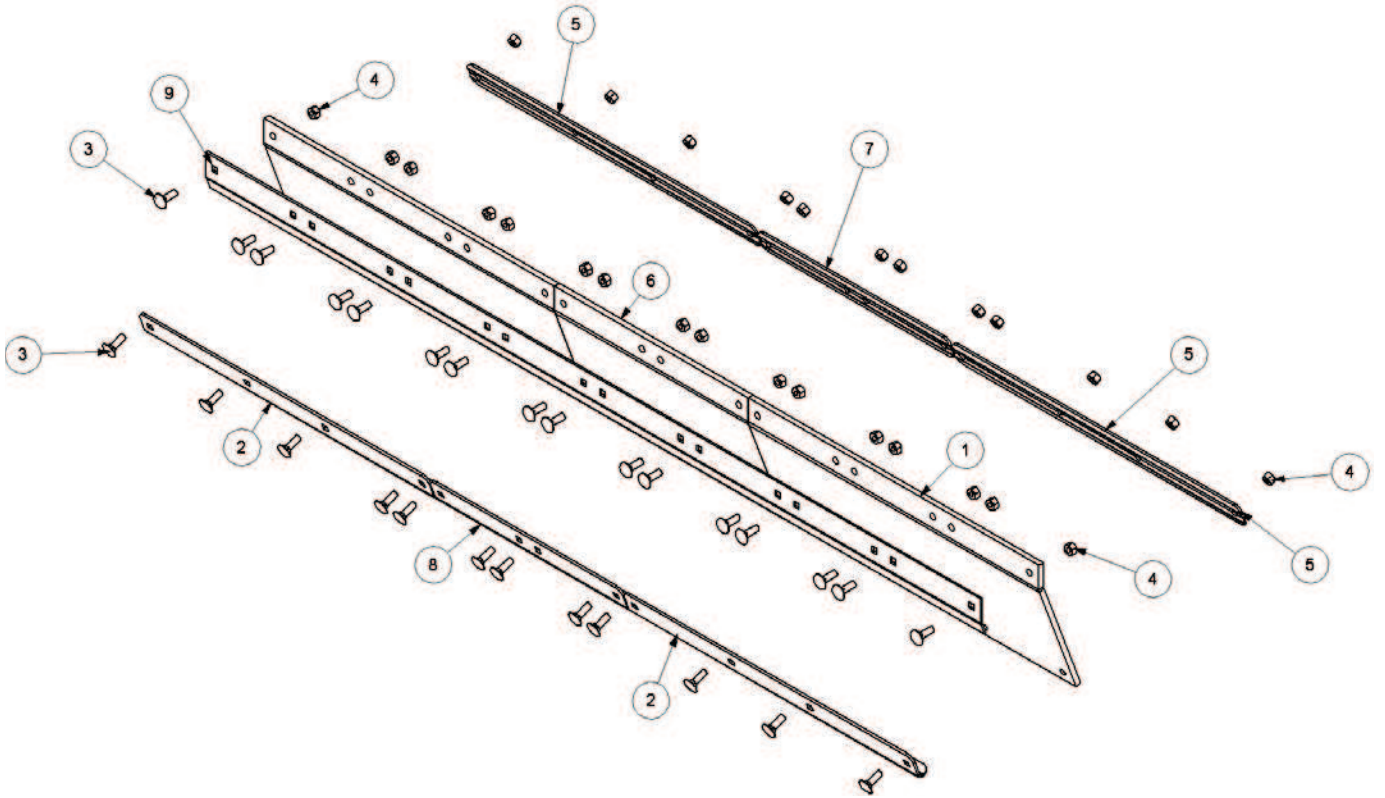
21523.08 C - ROLLER ASSY



21523.08 C - ROLLER ASSY

Ref	Part No	Description	Qty
1	21394.03	ROLLER	1
2	21394.32	CAP	2
3	21524.12	BRACKET	1
4	21524.13	BRACKET	1
5	0600111	BEARING	4
6	21523.31	SPACER	2
7	0402240	RING	2
8	9343105	SCREW	6
9	9200031	BOLT	4
10	9100024	NUT	4
11	0901121	GREASER	2
12	0401230	CIRCLIP	2
13	8629239	SEAL	2
14	42257.10	SHIM	0

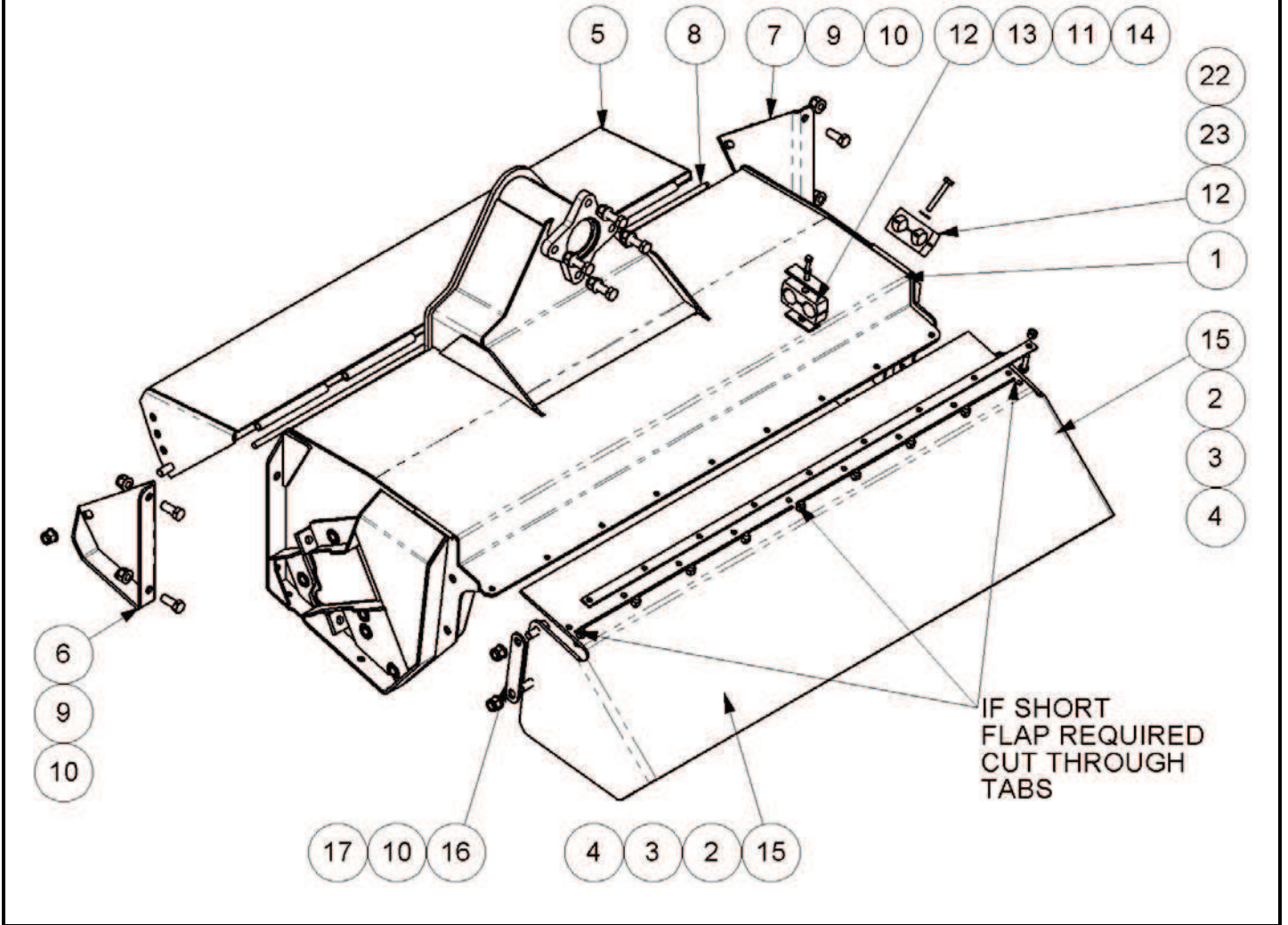
21541.01 F - FLAP KIT



21541.01 F - FLAP KIT

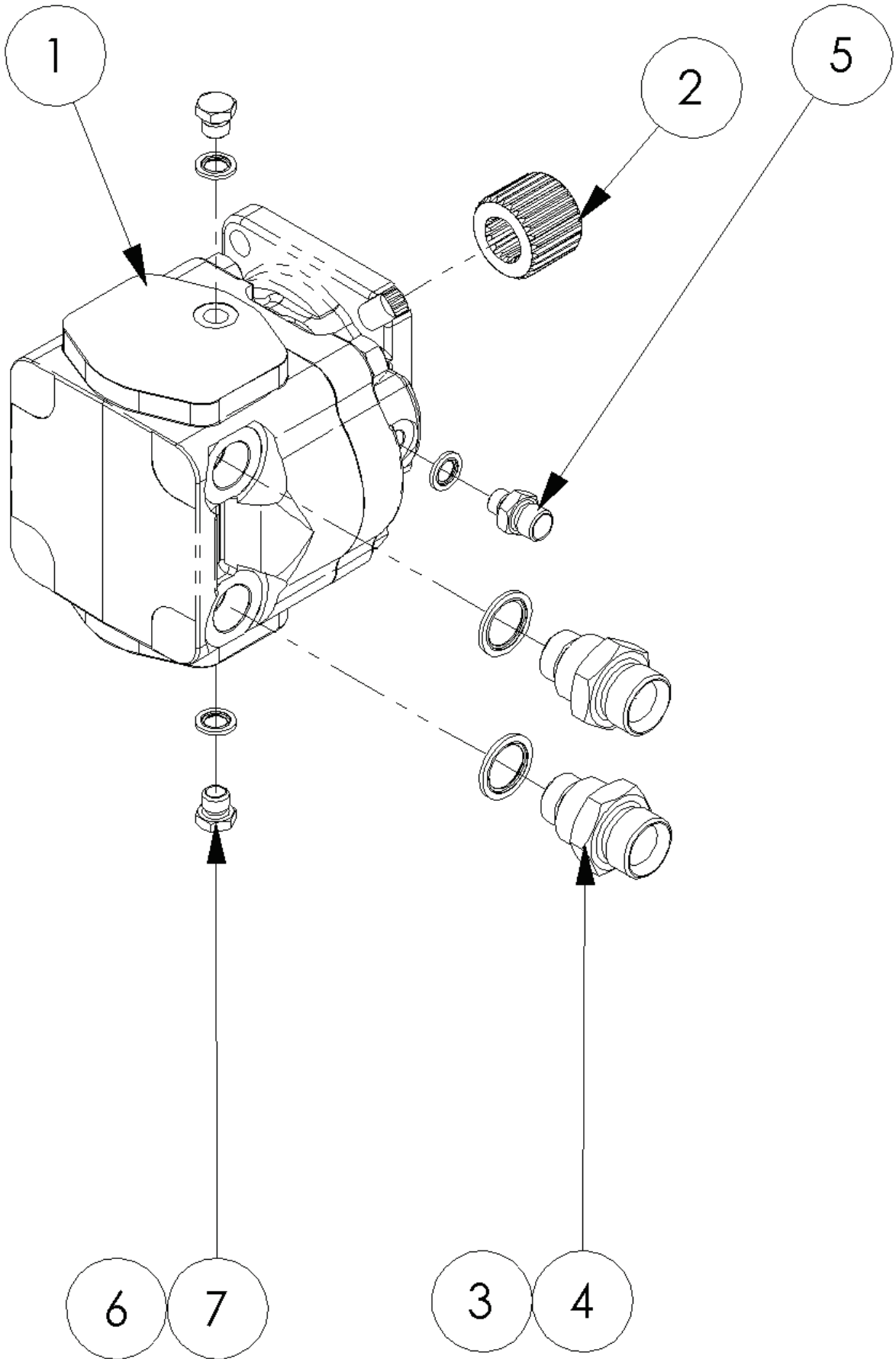
Ref	Part No	Description	Qty
1	21544.01	FLAP	2
2	21541.05	PLATE	2
3	9293054	BOLT	28
4	9163004	NUT	28
5	21541.06	PLATE	2
6	21544.02	FLAP	1
7	21541.08	PLATE	1
8	21541.07	PLATE	1
9	7190304	STRIP	1

22494.48 C - CASING MODULE



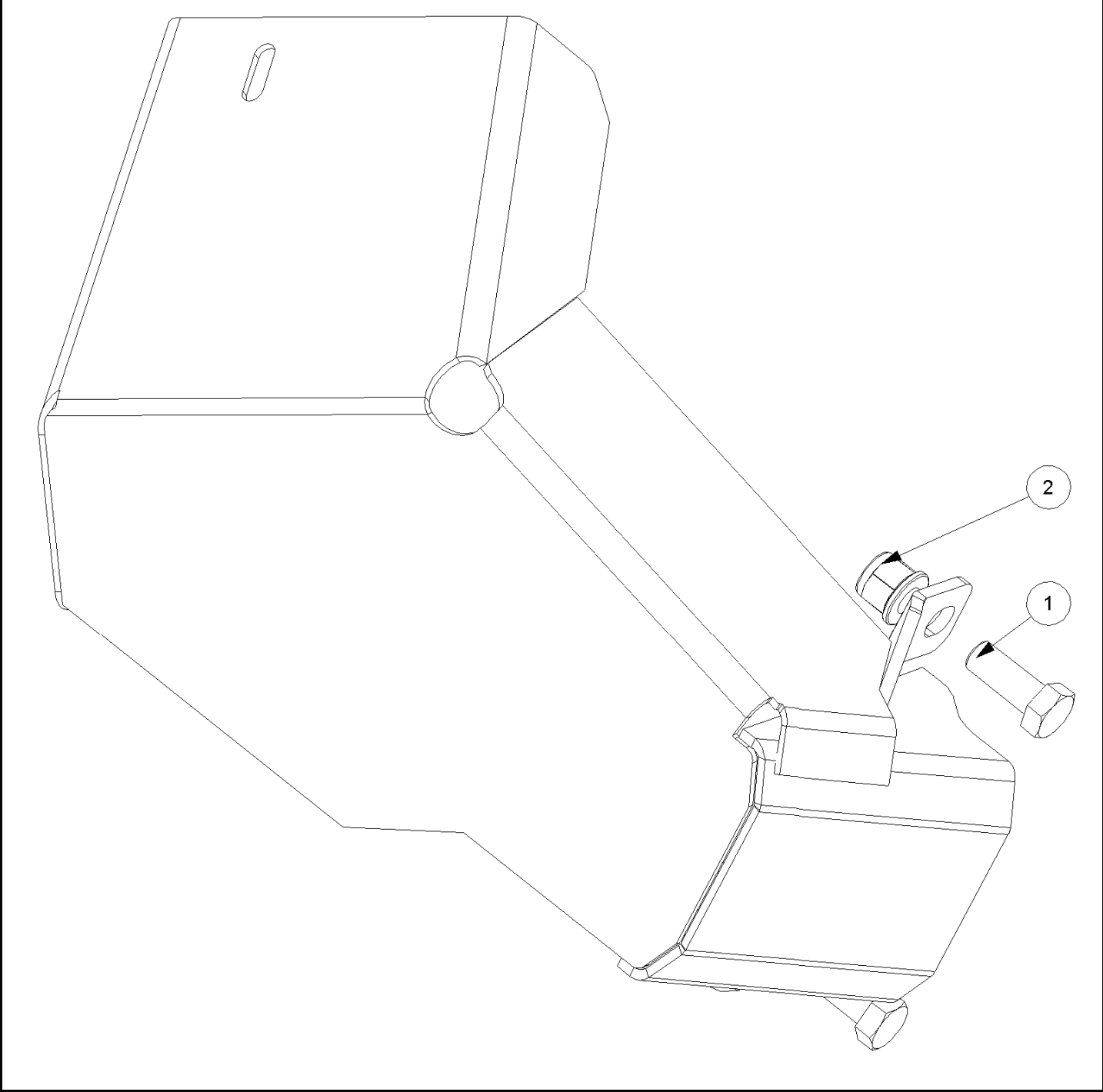
22494.48 C - CASING MODULE

Ref	Part No	Description	Qty
1	41685.07	CASING W/A	1
2	7190313	PLATE	1
3	9313075	SCREW	9
4	9163005	NUT	9
5	41695.02	FRONT HOOD	1
6	7290388	BRACKET -LH	1
7	7290387	BRACKET -RH	1
8	41700.01	PIN	1
9	30.073.25	BOLT	8
10	9100024	NUT	14
11	9100204	WASHER	2
12	42024.06	CLAMP -2	1
13	06.418.05	PLATE	1
14	9213134	BOLT	1
15	42440.07	FLAP	1
16	41289.05	FLAP STRAP	2
17	9200028	BOLT	3
21	9200031	BOLT	4
22	9213145	BOLT	1
23	9100105	WASHER	1



22495.50 - DRIVE MODULE

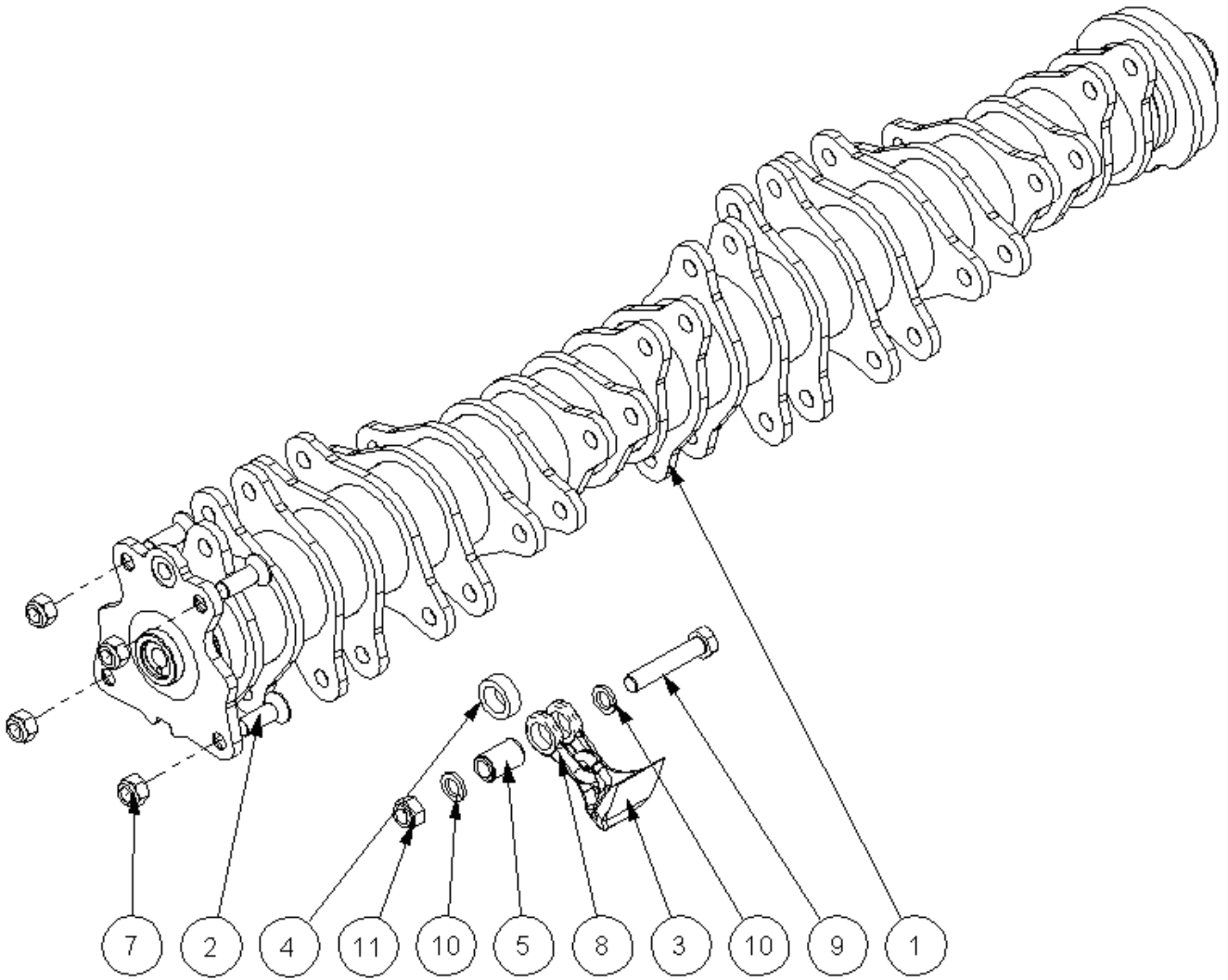
Ref	Part No	Description	Qty
1	8301313	MOTOR	1
2	43390.03	COUPLING	1
3	8650106	SEAL	2
4	8581295	ADAPTOR	2
5	01.099.01	ADAPTOR	1
6	8650102	SEAL	3
7	520378	ADAPTOR	2



22496.43 - COVER MODULE

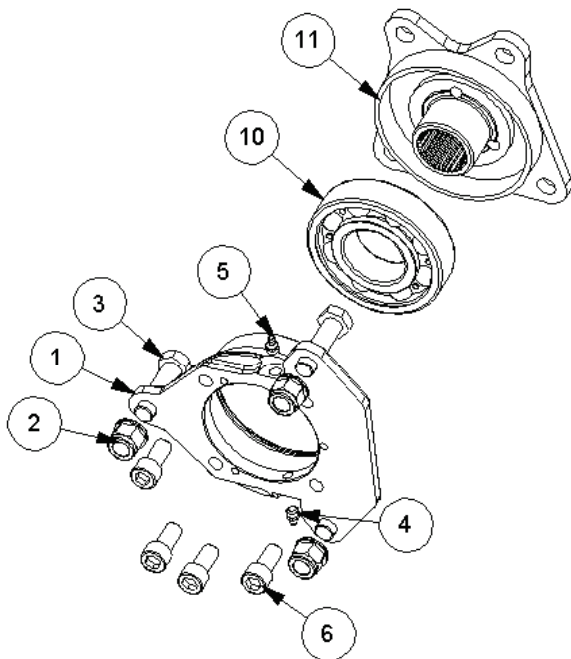
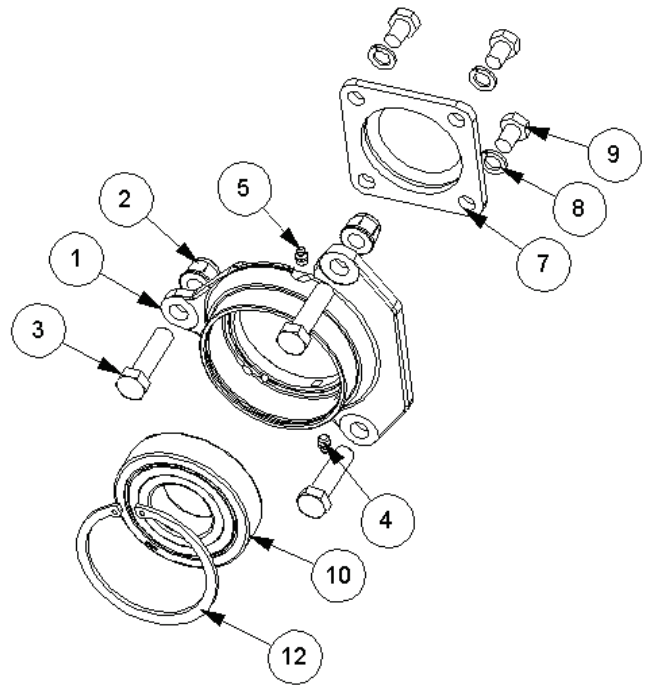
Ref	Part No	Description	Qty
1	30.073.25	BOLT	2
2	9100024	NUT	2
3	42282.24	COVER W/A	1

22497.06 B - 1.2M ROTOR MODULE



22497.06 B - 1.2M ROTOR MODULE

Ref	Part No	Description	Qty
1	22269.01	ROTOR	1
2	9353097	SCREW	4
3	7190462	FLAIL UNI-BOOT	24
4	7190172	SPACER	24
5	7314223	BUSH	24
6	0901161	GREASER	1
7	9163007	NUT	4
8	7190175	SHACKLE	24
9	7314201	BOLT	24
10	0100206	WASHER	48
11	0141006	NUT	24

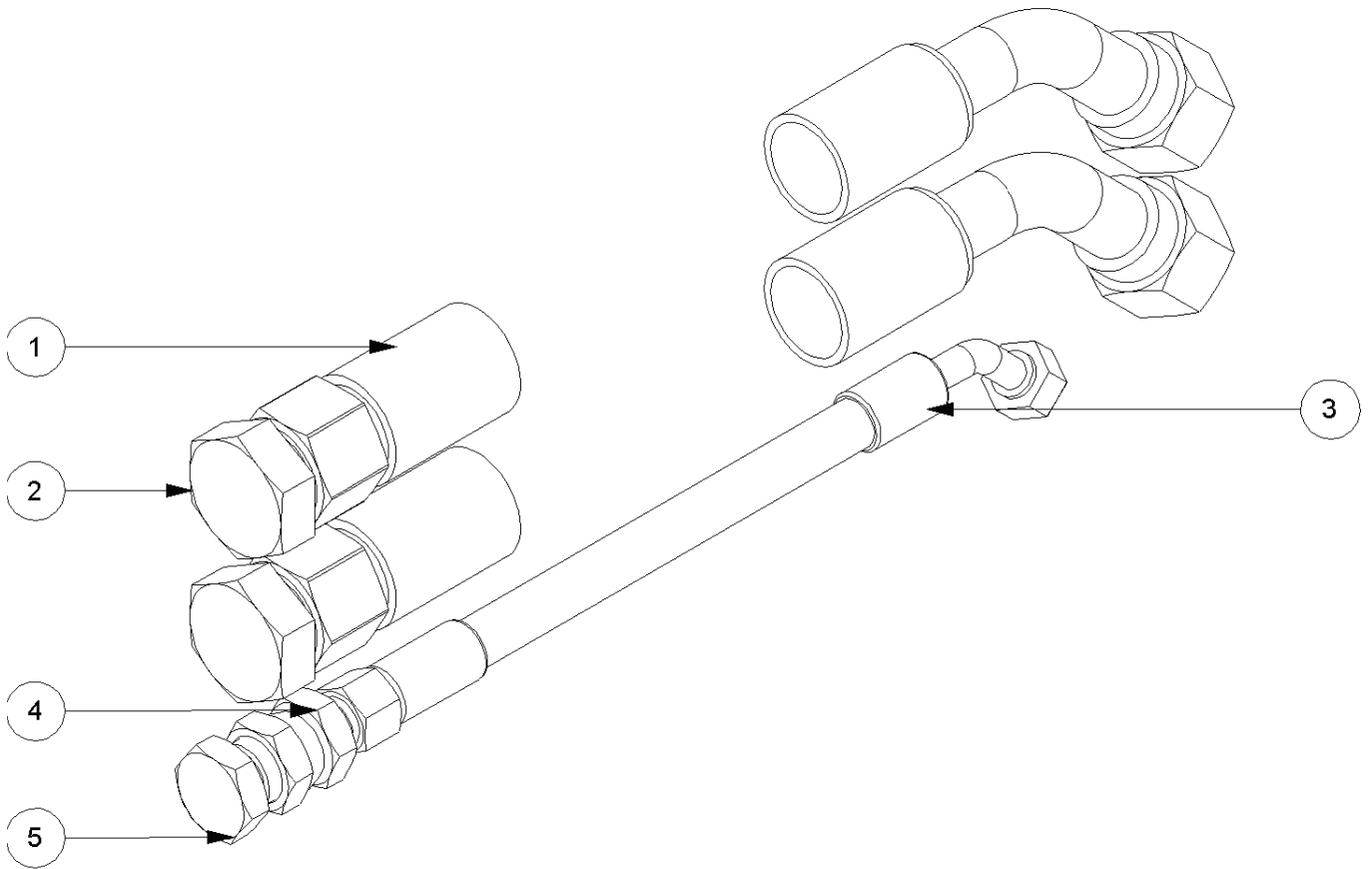


SPACERS (*not shown*)
8121043 - 0.4mm
8121044 - 0.6mm

22498.01 B - QUAD DRIVE MODULE

Ref	Part No	Description	Qty
1	7190367	HOUSING	2
2	9100024	NUT	6
3	9200031	BOLT	6
4	0901121	GREASER	2
5	0901125	GREASER	2
6	9300171	SCREW	4
7	43390.04	BEARING END PLATEW/A	1
8	05.282.08	WASHER	4
9	9313047	SCREW	4
10	0600018	BEARING	2
11	22269.02	HUB	1
12	7190022	CIRCLIP	1
13	8121044	SPACER	5
14	8121043	SPACER	5

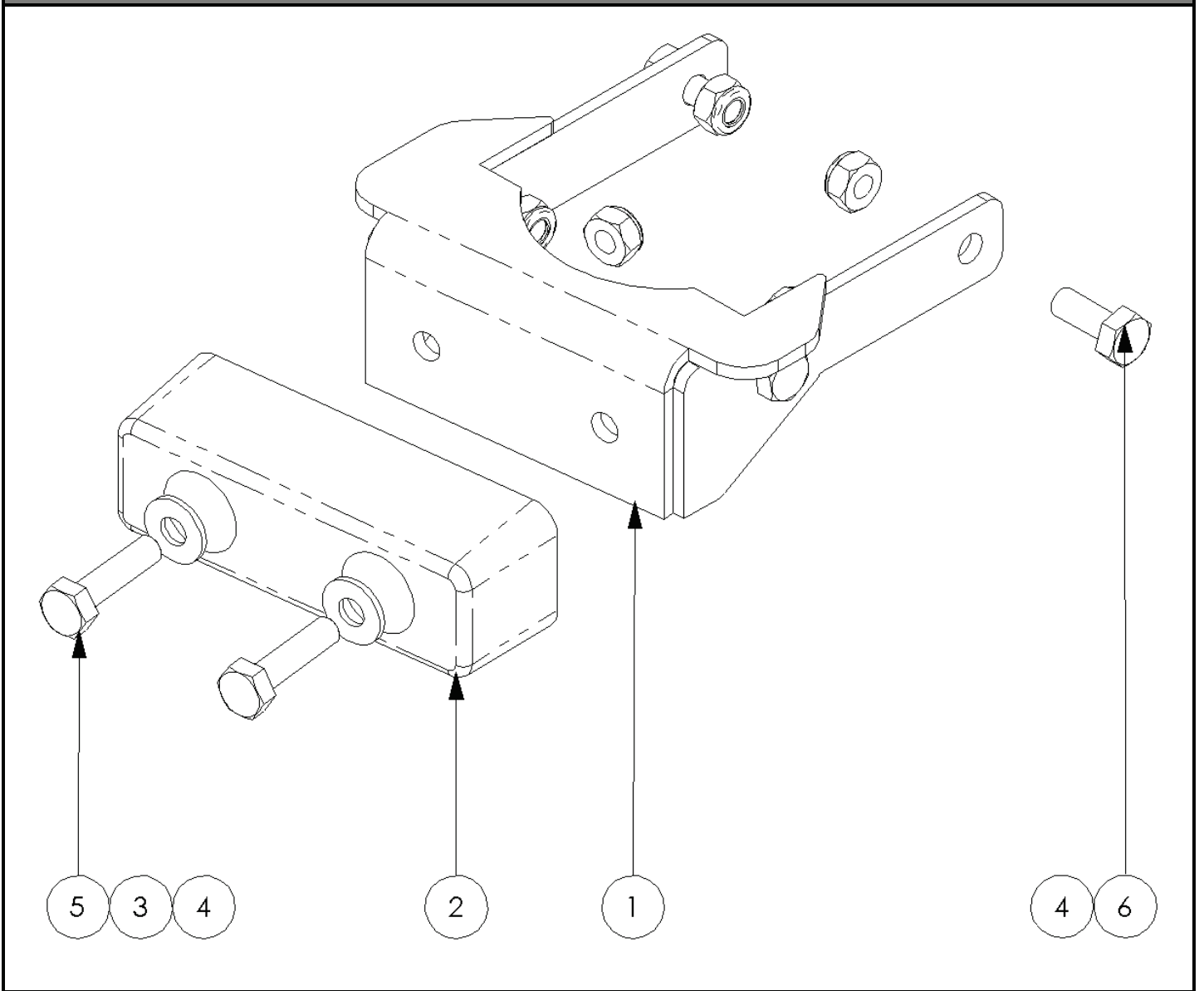
23030.04 - HOSE KIT



23030.04 - HOSE KIT

Ref	Part No	Description	Qty
1	21270.37	HOSE	2
2	05.433.03	ADAPTOR	2
3	10.030.37	HOSE	1
4	8581544	ADAPTOR	1
5	8581351	ADAPTOR	1

23149.01 B - STOP KIT



23149.01 B - STOP KIT

Ref	Part No	Description	Qty
1	23150.02	ARM STOP	1
2	T7879	BUFFER	1
3	9100105	WASHER	2
4	9163005	NUT	6
5	9213085	BOLT	2
6	9313055	SCREW	4



4



3

FLAIL PARTS INFORMATION

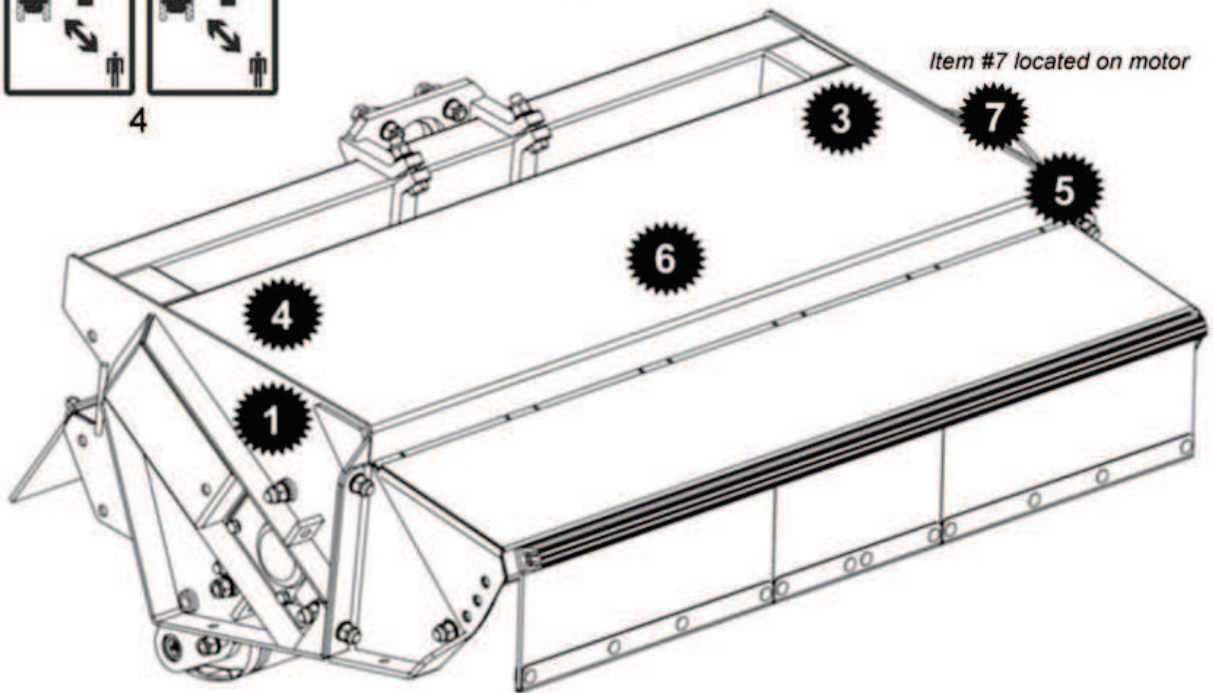
McConnel Flail Mowers use dynamically balanced and mated system components for Cutter Shafts, (Rotors) Knives (Flails), Knife hangers (Shackles) bolts, bushes Rollers, Drivetrain Components, Bearing Belts and Belt Pulleys. McConnel parts are made and tested to meet close-tolerance specifications of balance, quality and consistency that assure long, trouble-free service. "Will-Fit" parts do not ordinarily meet McConnel Standards and could reduce Mower performance, void warranties and present an increase in the safety hazard potential.

DON'T GAMBLE!
USE GENUINE McCONNEL SERVICE PARTS
See your McConnel dealer

5

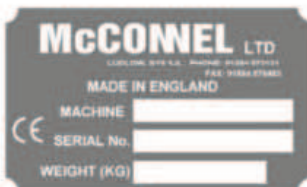


7



Item #7 located on motor

Flailhead shown is for general illustration purposes only and appearance may differ from your particular model



1

McCONNEL

6

7350709 - STICKER MODULE

Ref	Part No	Description	Qty
1	1335246	SERIAL NO.PLATE	1
2	7103230	RIVET	4
3	1290738	DECAL	1
4	09.821.35	DECAL	1
5	1290392	DECAL	1
6	1290527	DECAL	1
7	21917.03	DECAL	1



McConnel Limited, Temeside Works, Ludlow, Shropshire SY8 1JL. England.
Telephone: 01584 873131. Facsimile: 01584 876463. www.mcconnel.com

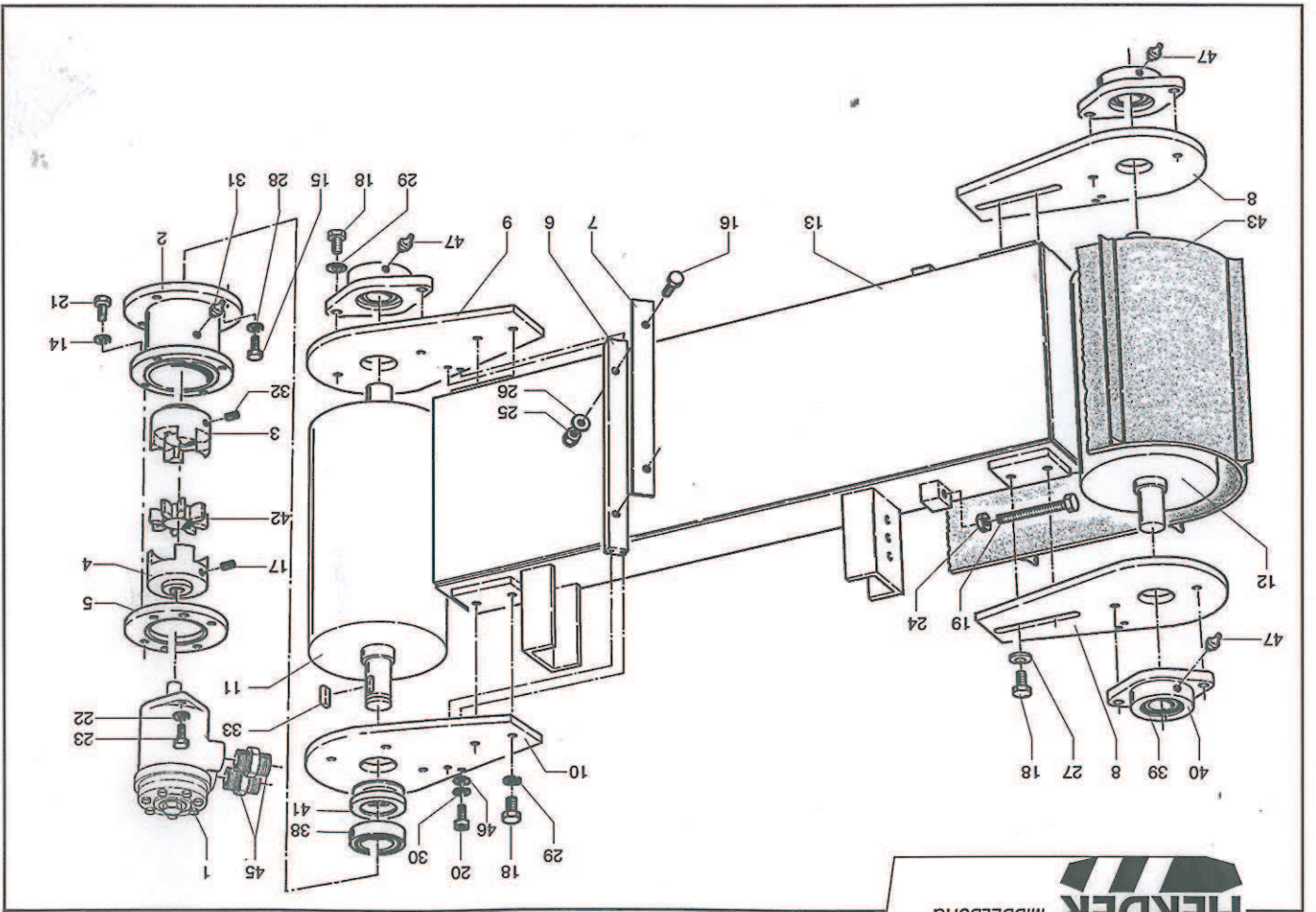
Herder B.V., Postbus 8010, 4330 EA Middelburg, Telefoon +31(0)18-679500,
Magazijn +31(0)18-679550, Telefax +31(0)18-638730, Herculesweg 6,
Industrieërein "Arnestein", 4338 PL Middelburg

Transportband en transportbandfunctie



Onderdelenlijsten

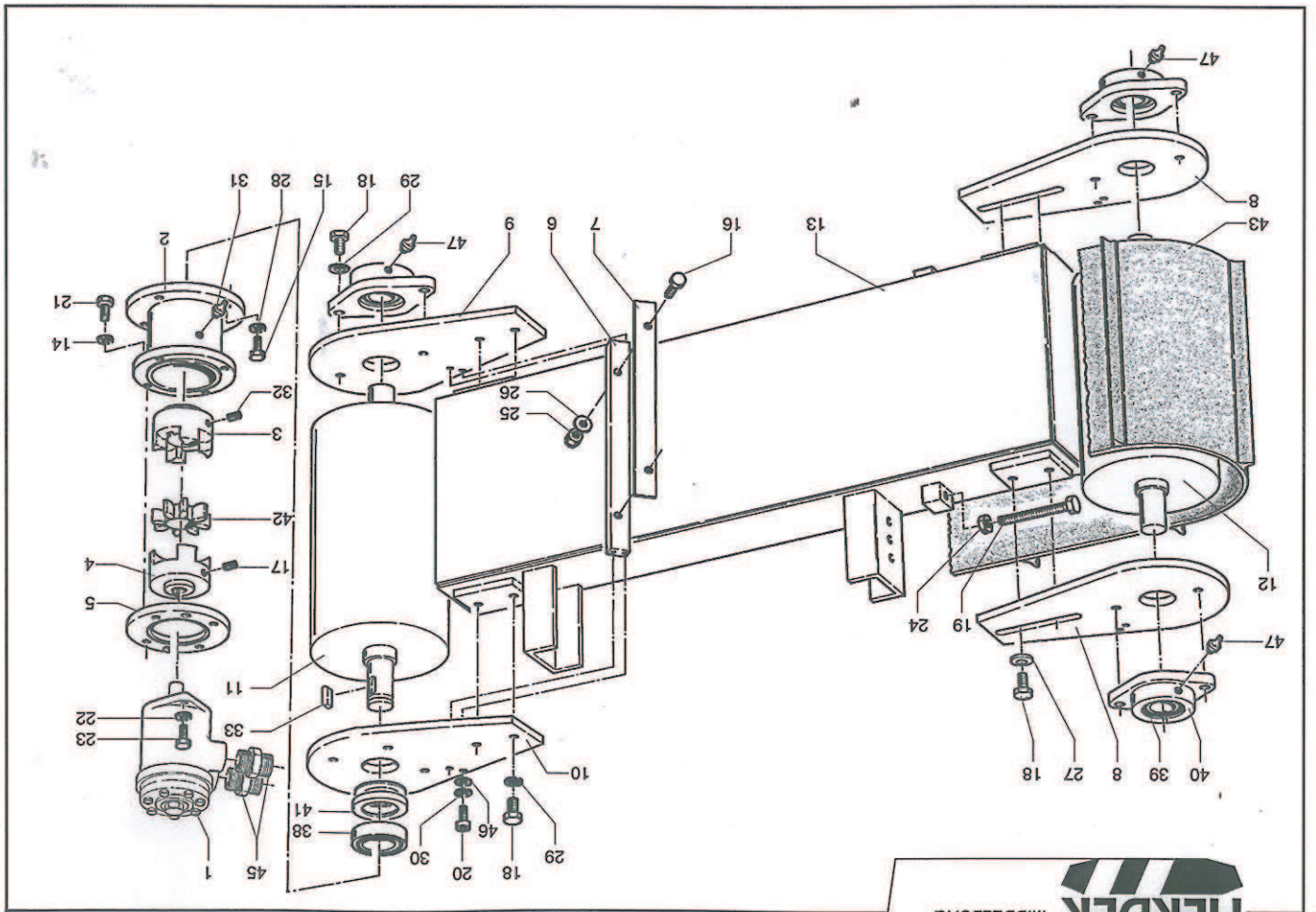




1/2

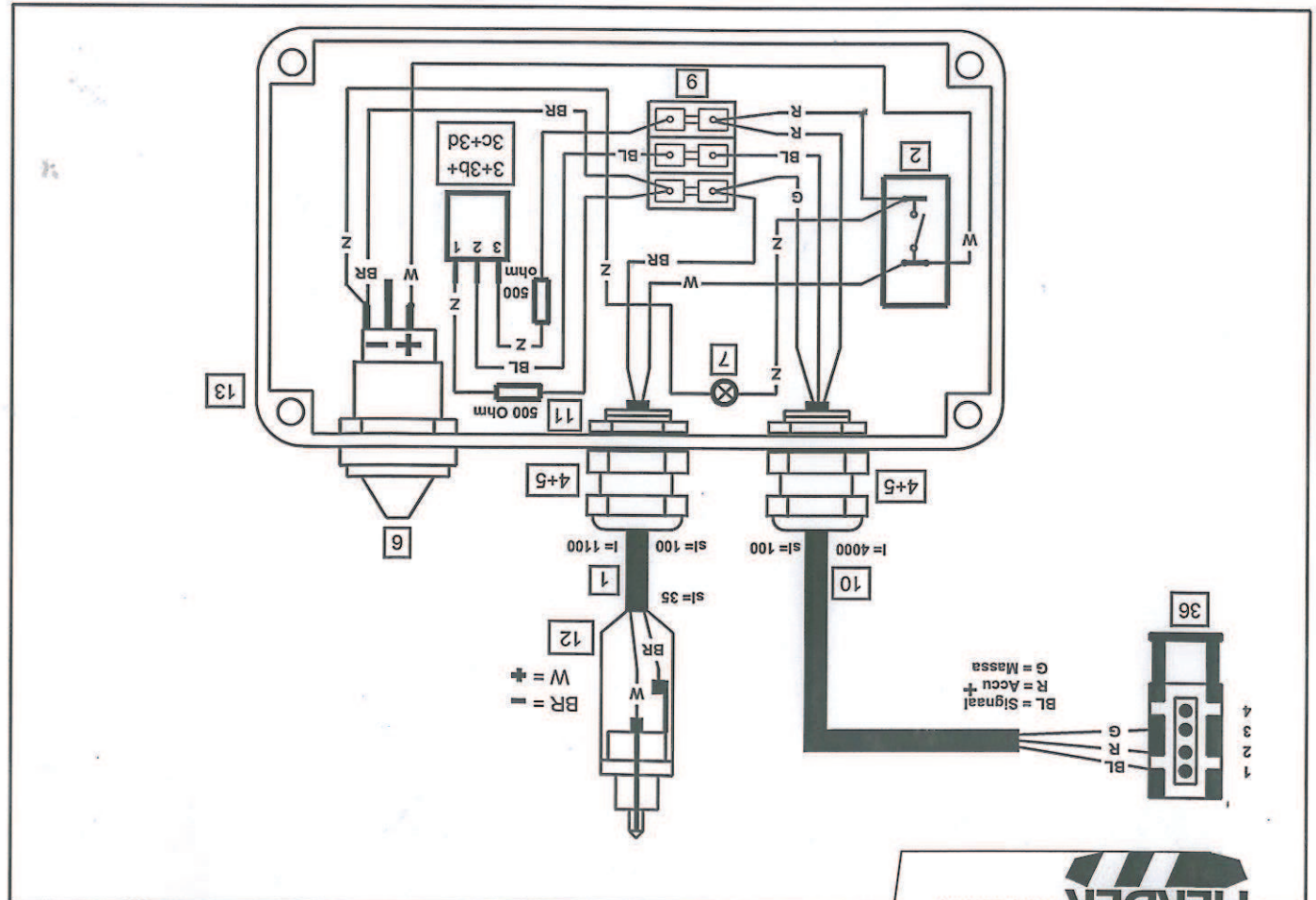
Aantal 100 130 150 180 225

Pos. Nr.	Bestelnr.	Benaming	Aantal
-	0492.1127	Transportband unit 1,0 m cpl.	1
-	0492.1006	Transportband unit 1,3 m cpl.	1
-	0492.1009	Transportband unit 1,5 m cpl.	1
-	0492.1022	Transportband unit 1,8 m cpl.	1
-	0492.1023	Transportband unit 2,25 m cpl.	1
1	9413.1101	Oliemotor as ø25 mm OMP 32 cc HPS	1
2	0023.0301	Koppelingshuis ø132x95	1
3	0024.0339	Koppelingshiff rolzijde ø65xø30x50	1
4	0024.0551	Koppelingshiff motorzijde ø65xø25x48	1
5	0024.0422	Flensplaat ø130x25	1
6	0051.2387	Mesrug van rol schraper 25x12x290	2
7	0053.0243	Mes voor transportrol 25x2x270	2
8	0061.3015	Bevestigingsplaat (verstelbaar)	2
9	0061.3016	Plaat (niet-aangedreven zijde)	2
10	0061.3017	Plaat (aangedreven zijde)	2
11	0492.1003	Aandrijfrol transportband	1
12	0492.1007	Rol t.b.v. transportband	1
13	0492.1123	Frame 1,0 m	1
	0492.1005	Frame 1,3 m	1
	0492.1008	Frame 1,5 m	1
	0492.1020	Frame 1,8 m	1
	0492.1021	Frame 2,25 m	1
14	9206.0500	Veerring VR8,1 DIN 7980	4
15	9101.0806	Tapbout M8x22 DIN 933	4
16	9101.0807	Tapbout M8x25 DIN 933	4
17	9112.0803	Stelschroef M8x16 DIN 916	1
18	9101.1006	Tapbout M10x25 DIN 933	14
19	9101.1213	Tapbout M12x70 DIN 933	14
20	9105.0605	Tapbout M12x80 DIN 933	2
21	9105.0805	Inbusbout M8x25 DIN 912	4
22	9205.1400	Veerring VR12,2 DIN 128A	2
23	9101.1206	Tapbout M12x35 DIN 933	2



Pos. Nr. Bestelnr. Benaming Aantal

24	9150.1200	Moer M12 DIN 934	2
25	9154.0800	Borgmoer M8 DIN 985	2
26	9200.0900	Sluiting SR8 DIN 125.1B	4
27	9202.1500	Zware sluiting SR10 DIN 7349	4
28	9205.1000	Veerring VR8,2 DIN 128A	4
29	9205.1200	Veerring VR10,2 DIN 128A	4
30	9206.0300	Veerring VR6,1 DIN 7980	8
31	9310.0008	Smeermiddel recht M10	8
32	9112.0802	Stelschroef M8x12 DIN 916	1
33	9256.0801	Splie 8x7x25	1
38	9500.2051	Groefkogellager 6206 ø62x30x16	1
39	9500.2070	Lager VAR206,2RF	1
40	9501.0012	Lagerhuis FYTB506M (incl. pos. 47)	3
41	9501.2061	Labyrinthring Z206 ø62x30x6	3
42	9510.5013	Tandkranz A28 64 D-H groen	1
43	9590.0220	Transportband groen 1,0 m (11 meeners)	1
45	9590.0222	Transportband groen 1,3 m (13 meeners)	1
46	9590.0223	Transportband groen 1,5 m (17 meeners)	1
47	9590.0224	Transportband groen 1,8 m (18 meeners)	1
45	9300.1014	Inschroeffkoppeling 1/2"-15 mm	2
46	9200.0600	Sluiting SR6 DIN 125.1B	2
47	9310.0001	Smeermiddel recht M6	2



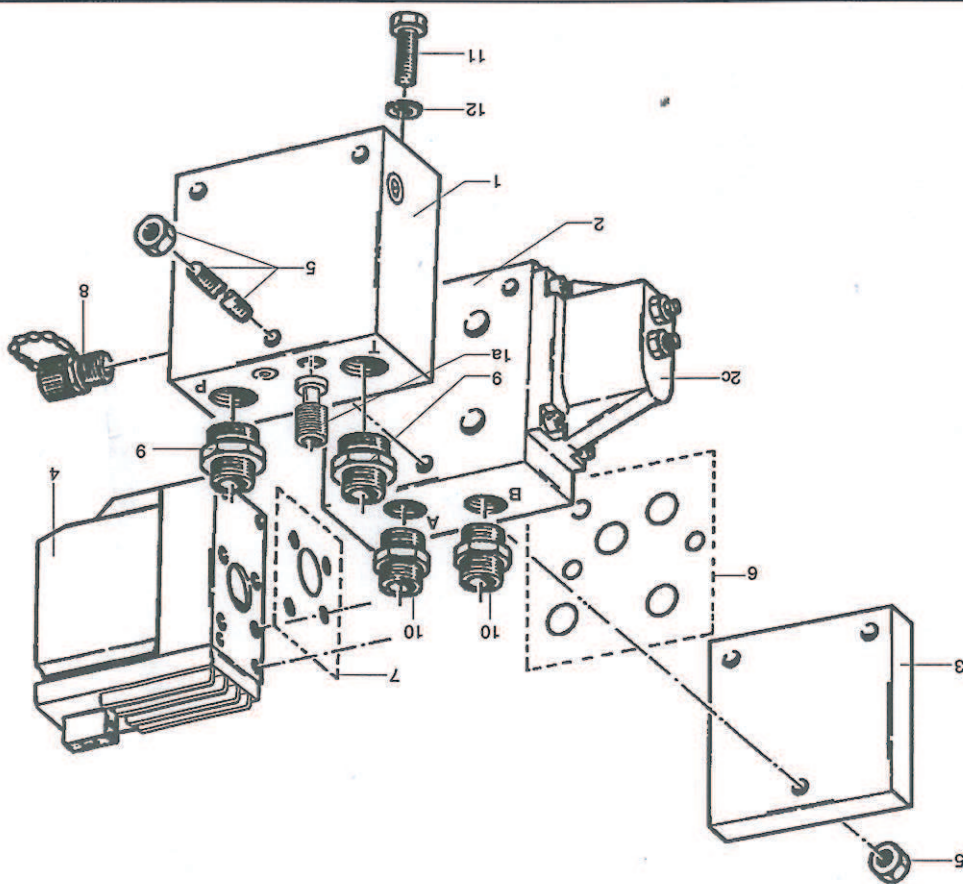
Pos. Nr.	Bestelnr.	Benaming	Aantal
----------	-----------	----------	--------

-	1289.1017	Bedieningskast transportband/vijzel met een HIGH magneet	1
1	9900.5000	Kabel 2x1 mm ² wit-bruin	1,1m
2	9602.0007	Schakelaar 0-1	1
3	9606.0004	Potentiometer 1K	1
3 b	9606.9003	Knop	1
3 c	9606.9004	Knopdksel	1
3 d	9606.9002	Knopjil	1
4	9610.0202	Pakkingdrukker PG7 MS 1gts. ø 3-6,5mm	2
5	9610.0300	Pakkingdrukker PG7	2
6	9603.1051	Stopcontact	1
7	0799.1076	LED rood	1
9	9605.5008	Draadverbinder	1
10	9603.2019	Aansluitkabel + AMP-JPT stekker cpl. blauw + rood + geel	4,0m
11	9606.0506	Weerstand 600 W - 500 Ohm	2
12	9603.0050	Stekker	1
13	0081.0464	Aluminium kast	1
36	-----	Stekker transportband/vijzel	1
-	9904.0450	Sticker Bedieningspaneel	1
-	-----	Kabel of stekker 36, merken met een wikkelsticker	1

1	Kabel afknijplengte
sl	Kabel afstriplengte
BL	Kabel blauw
BR	Kabel bruin
G	Kabel geel
R	Kabel rood
W	Kabel wit
Z	Kabel zwart

Ventielenblok D.1S EL (9422.5118)
 Transportband

Groep
 012.37



Pos. Nr.	Bestelnr.	Benaming	Aantal
1	9332.4003	Inlaatsctie	1
1a	9332.4432	Instelbare hoofdveiligheid PVG 32 (nog astellen op 170 Bar)	1
2	-----	Transportbandsectie (pos. 2a, 2b, 2c)	1
2a	9332.4301	Sectie ZP/CV	1
2b	9332.4211	Plunjer E/M65 : 65 L/min.	1
2c	9332.4401	Handbedieningsset cpl. 1 sectie	1
3	9332.4005	Eindplaat	1
4	9332.4429	Proportionele HIGH magneet 11-32 Volt AMP-JPT	1
5	9140.0041	Trekboutenset 1 sectie	1
6	9358.3012	O-ring set (tussen pos. 1 en 2 en tussen 2 en 3)	2
7	9358.3017	O-ring set (tussen pos. 2 en 4)	1
8	9304.5105	Meetpunt 1/4" (pers)	1
9	9300.1015	Inschroeffkoppeling 3/4"-15mm (pers en retour)	2
10	9300.1014	Inschroeffkoppeling 1/2"-15mm (uitgangen)	2
11	9101.0805	Tapbout M8x20 DIN 933 (montage)	4
12	9205.1000	Veerring VR 8,2 DIN 128A (montage)	4
-	9422.5118	Ventielenblok D.1S Elektrisch (tot 65 L/min) (pos. 1-5)	-



Proportioneel Ventiel PVG 32
Calculatie

PVG nr: **9422-5118**
Subsidiary/Dealer

Klant

applicatie

functie	A-port	0	157B	5110	B-port						
TRB	a 157B 4035	1	157B 6100	157B 7103	13 157B 3171						
	b 157B		Lsa	bar Lsb	bar 157B						
	a 157B	2	157B	157B	13 157B						
	b 157B		Lsa	bar Lsb	bar 157B						
	a 157B	3	157B	157B	13 157B						
	b 157B		Lsa	bar Lsb	bar 157B						
	a 157B	4	157B	157B	13 157B						
	b 157B		Lsa	bar Lsb	bar 157B						
	a 157B	5	157B	157B	13 157B						
	b 157B		Lsa	bar Lsb	bar 157B						
	a 157B	6	157B	157B	13 157B						
	b 157B		Lsa	bar Lsb	bar 157B						
	a 157B	7	157B	157B	13 157B						
	b 157B		Lsa	bar Lsb	bar 157B						
	a 157B	8	157B	157B	13 157B						
	b 157B		Lsa	bar Lsb	bar 157B						
	a 157B	9	157B	157B	13 157B						
	b 157B		Lsa	bar Lsb	bar 157B						
	a 157B	10	157B	157B	13 157B						
	b 157B		Lsa	bar Lsb	bar 157B						
		<table border="1"> <tr> <td>11</td> <td>157B</td> <td>2000</td> </tr> <tr> <td>12</td> <td>157B</td> <td>8001</td> </tr> </table>		11	157B	2000	12	157B	8001		
11	157B	2000									
12	157B	8001									
Ingeuld door:		A.M.									
		Datum									
		18-12-2008									