

Parts Manual for
WGC No: 7435960
PA3530/LHFM/TI/M XTC/ELEC/540

Print date: 06/12/2018

Applicable to Works Order No: 684943

For Serial No: M1955904



All parts are not created equal and before you settle on an imitation part, know this - McConnel Genuine Parts offer the safety, durability and warranty protection you expect. You've made an investment in your equipment; now invest in its future.

- We design and build to exact specifications requiring strict chemical strength and performance characteristics. (Never reverse engineered like imitation parts).
- McConnel Genuine Parts meet the rigid guidelines necessary to satisfy warranty requirements.
- Our parts experts are available to answer any questions and have first -hand knowledge of all equipment.
- McConnel Genuine Parts are tested to meet all safety standards.
- McConnel parts have a 6 month warranty when fitted by an authorised Dealer.

McCONEL LIMITED

For parts supply contact your local Dealer or Stockist

To help them help you, always quote:

- ***Machine Type***
- ***Serial Number***
- ***Part Number***

Design improvements may alter some of the parts listed in this manual – the latest part will always be supplied when it is interchangeable with an earlier one.

McCONNEL PARTS DEPARTMENT

Telephone: +44 (0)1584 873131 **Fax:** +44 (0)1584 872223
Direct Parts Line: +44 (0)1584 876888 **Email:** parts@mcconnel.com

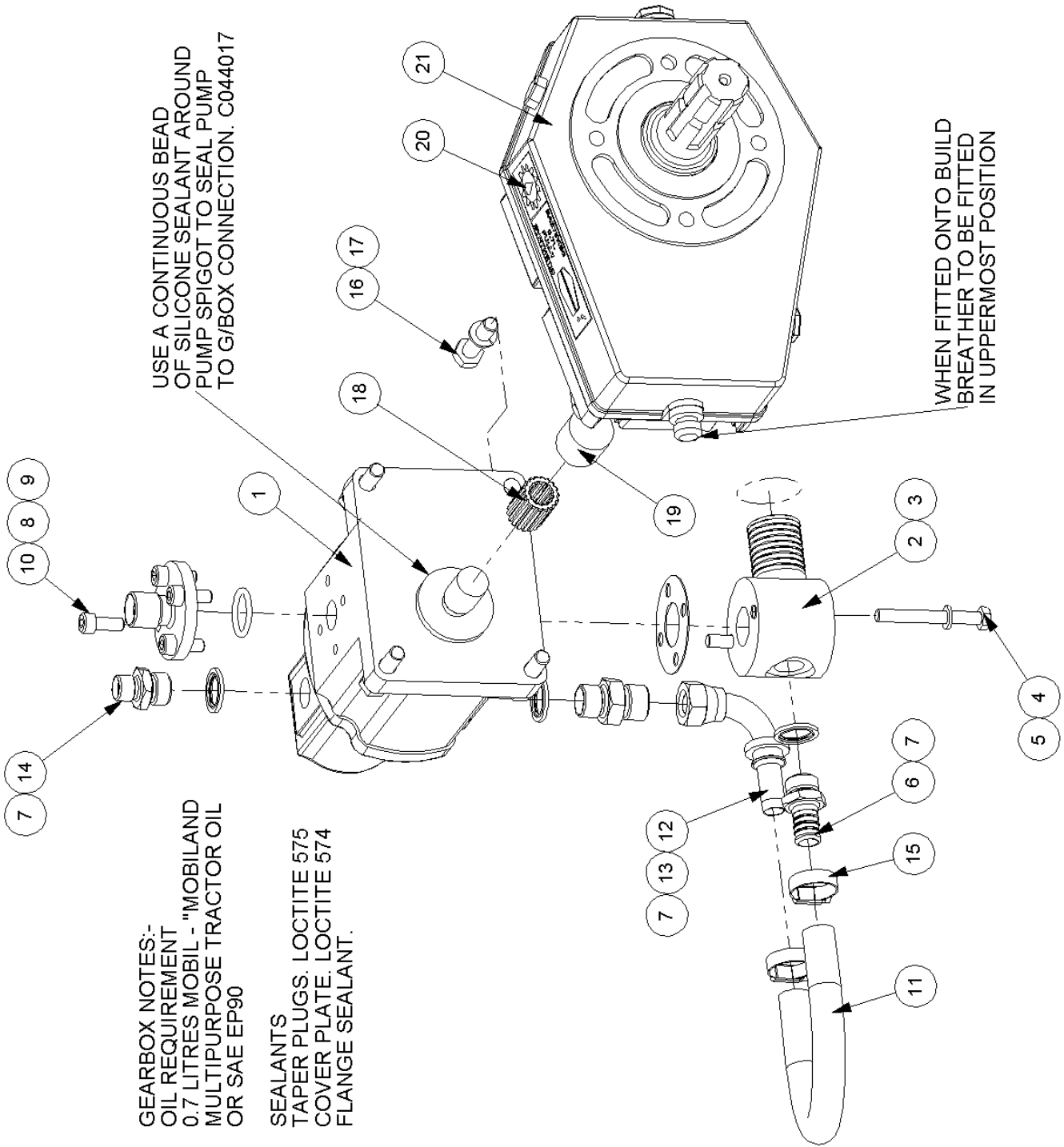
CONTENTS

Page No	Schedule No	Schedule Description
2	41317.11	PUMP & GEARBOX ASSY
4	8201466	PUMP
6	8013443	GEARBOX 2.60 :1 RATIO
8	41320.44	PA3530 HOSE KIT (REV A) LH FM
10	7114289	PTO SHAFT
12	7313324	GUARD KIT
14	7435700	ACV ASSY
16	22523.27	MANIFOLD ASSY
18	22524.96	ADAPTOR KIT
20	22525.57	SOLENOID
22	8130090	VALVE
24	8126333	BLOCK
26	8130354	VALVE
28	8126334	PLATE
30	23550.11	PROP DCV
32	23550.13	VALVE
34	23550.15	DCV
36	7435706	DIPPER MODULE
38	7435709	HYD.INST.MODULE
40	41014.11	RAM
42	41015.03	RAM ASSY
44	21856.01	RAM
46	41322.02	RAM
48	41014.11AP	RAM ASSY
50	41015.03AP	RAM ASSY
52	21856.01AP	ANGLE
54	7198292AP	RAM
56	7435712	TANK MOD.PA3530 RH
58	8401168	FILTER
60	8699294	FILTER SEAL KIT
62	7435717	DECAL KIT
64	7435721	RCV ASSY ELEC PA3530 LH FM
66	7490601	MAIN FRAME MODULE
68	7490602	ROCKER MODULE
70	7490604	MAIN ARM MODULE
72	7490606	DIPPER MODULE
74	7490642	COVERS MODULE
76	7490769	STABILIZER MODULE
78	7490799	PACKING MODULE
80	8402919	MINI XTC KIT
82*	7490863	0.9M (SLIDING PIVOT) -
84*	21541.22	FLAP MODULE
86*	22495.32	MOTOR MODULE

88*	7350710	STICKER MODULE
90*	8126373	LIFT FLOAT KIT DT CONNECTOR

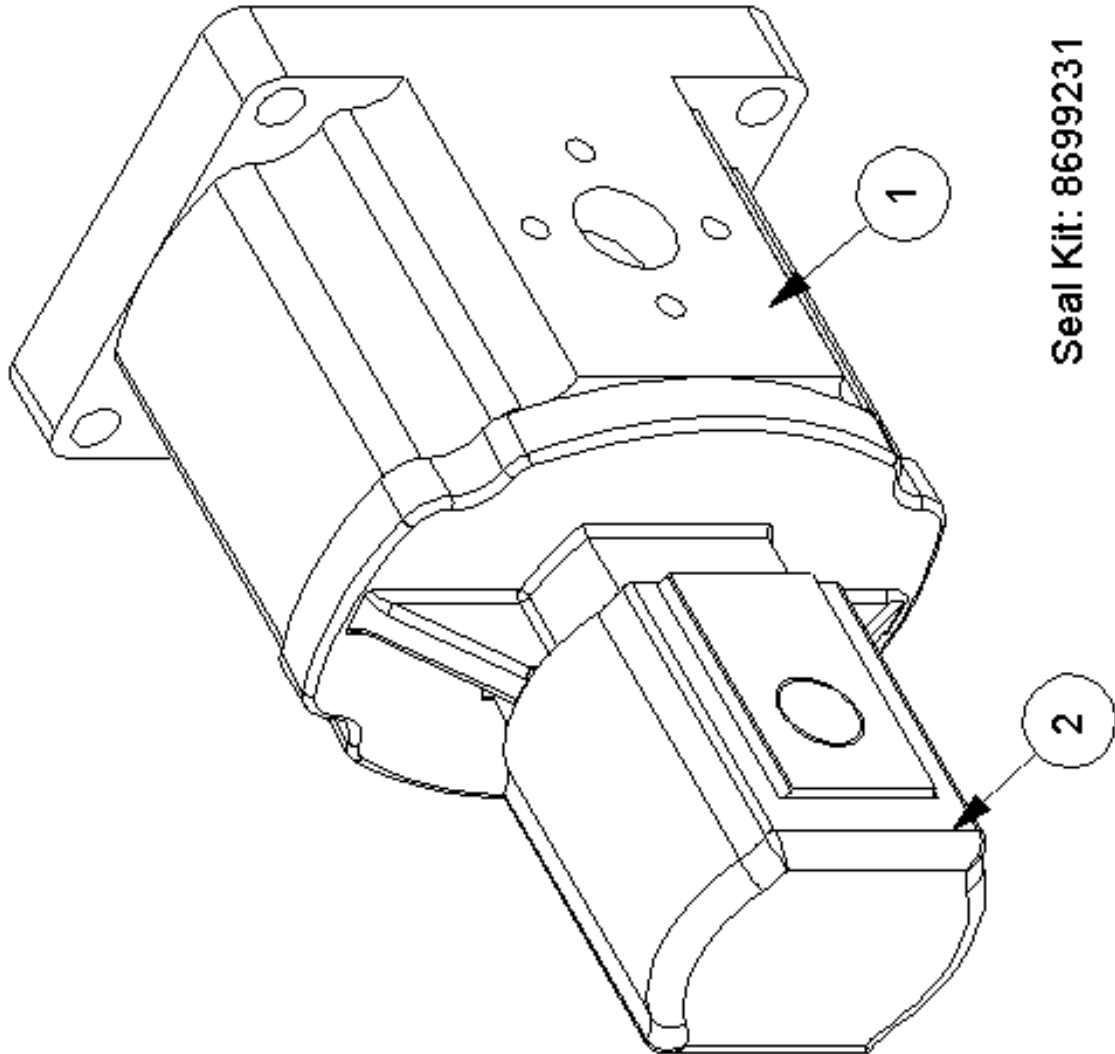
* optional component

41317.11 - PUMP & GEARBOX ASSY



41317.11 - PUMP & GEARBOX ASSY

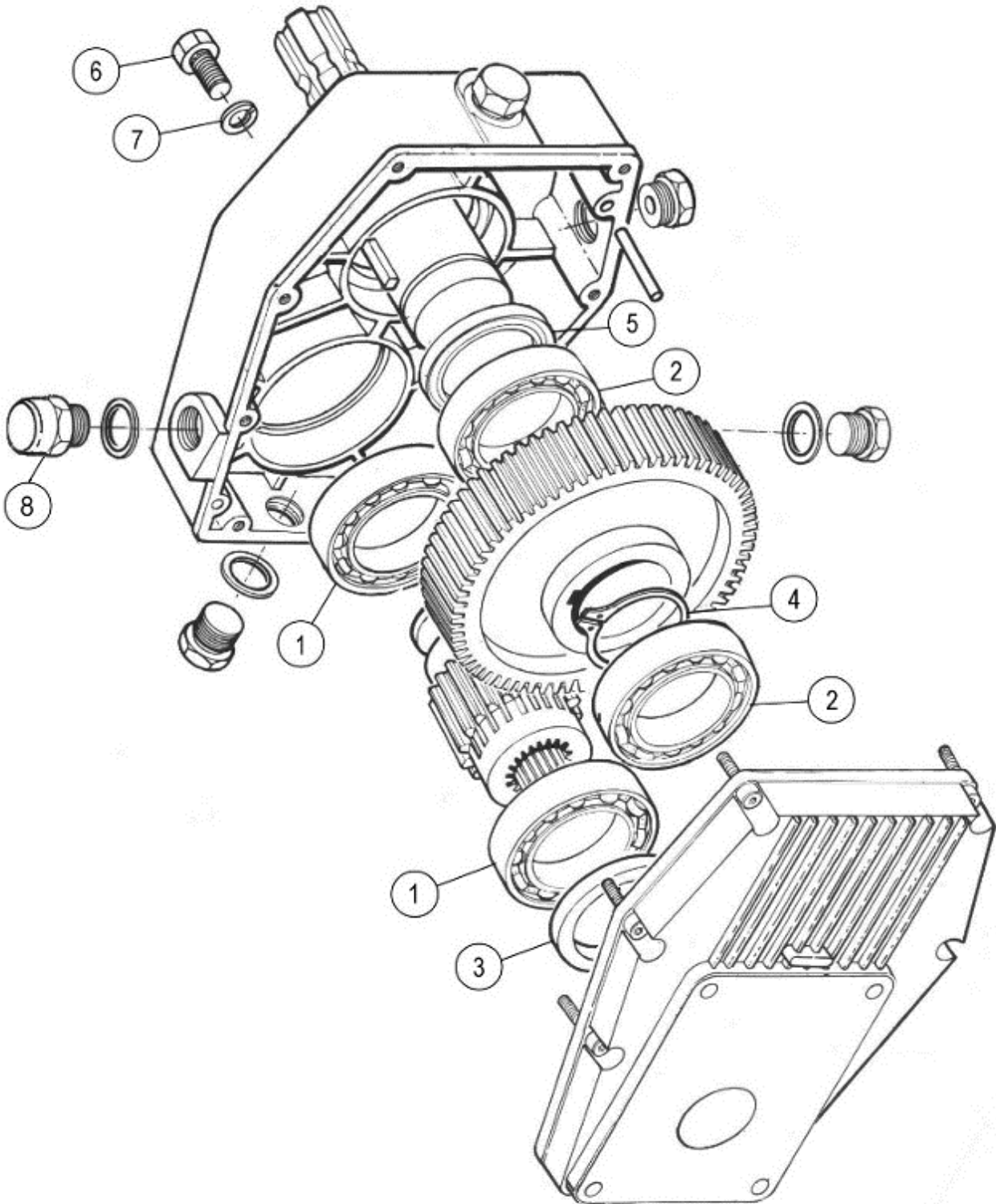
Ref	Part No	Description	Qty
1	8201693	PUMP	1
2	8013082	CONNECTION	1
3	8013023	GASKET	1
4	9213144	BOLT	2
5	9100204	WASHER	2
6	8002059	CONNECTION	1
7	8650104	SEAL	3
8	8013083	CONNECTION	1
9	8600119	"O" RING	1
10	9300147	SCREW	4
11	8501099	HOSE	1
12	8581173	ELBOW	1
13	G3812120	ADAPTOR	1
14	6000112	ADAPTOR	1
15	0904204	CLIP	2
16	9213095	BOLT	4
17	9100205	WASHER	4
18	8013097	ADAPTOR	1
19	42415.02	SPACER	1
20	1290030	DECAL	1
21	8013443	GEARBOX 2.60 :1 RATIO	1



Seal Kit: 8699231

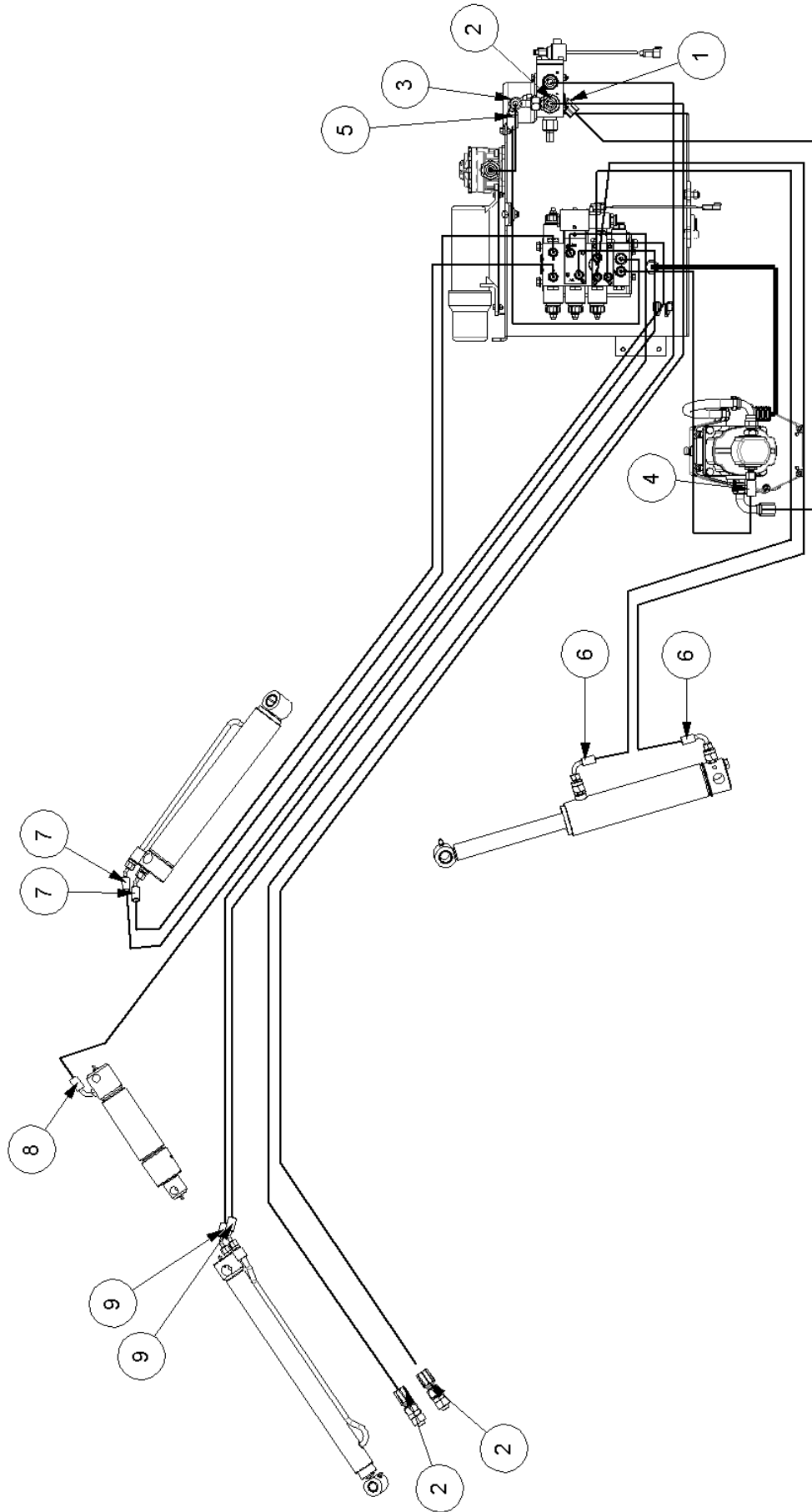
8201466 - PUMP

Ref	Part No	Description	Qty
1	8201684	HYD PUMP F-HALF	1
2	8201677	PUMP REAR - 8201466	1
3	8699231	SEAL KIT	0



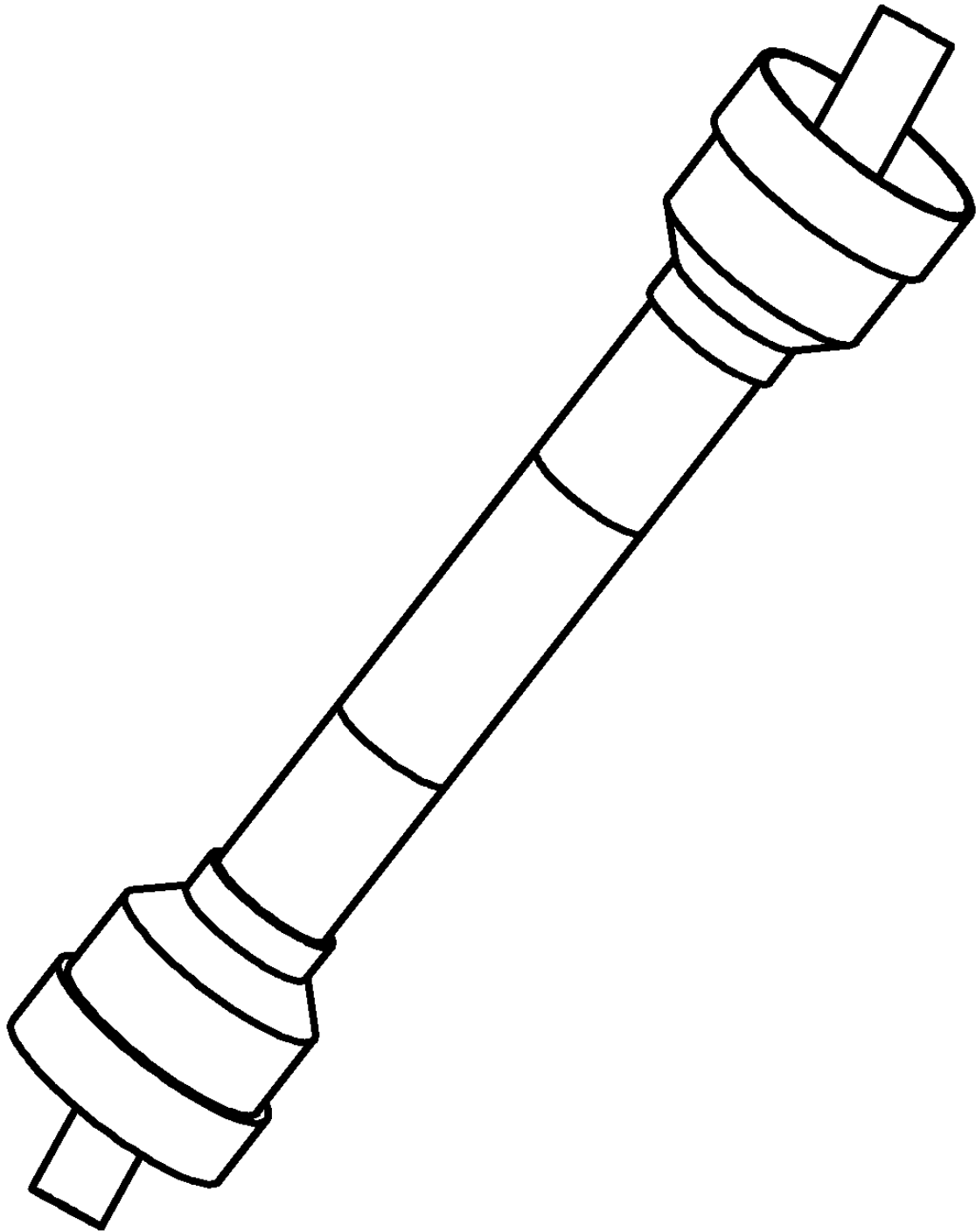
8013443 - GEARBOX 2.60 :1 RATIO

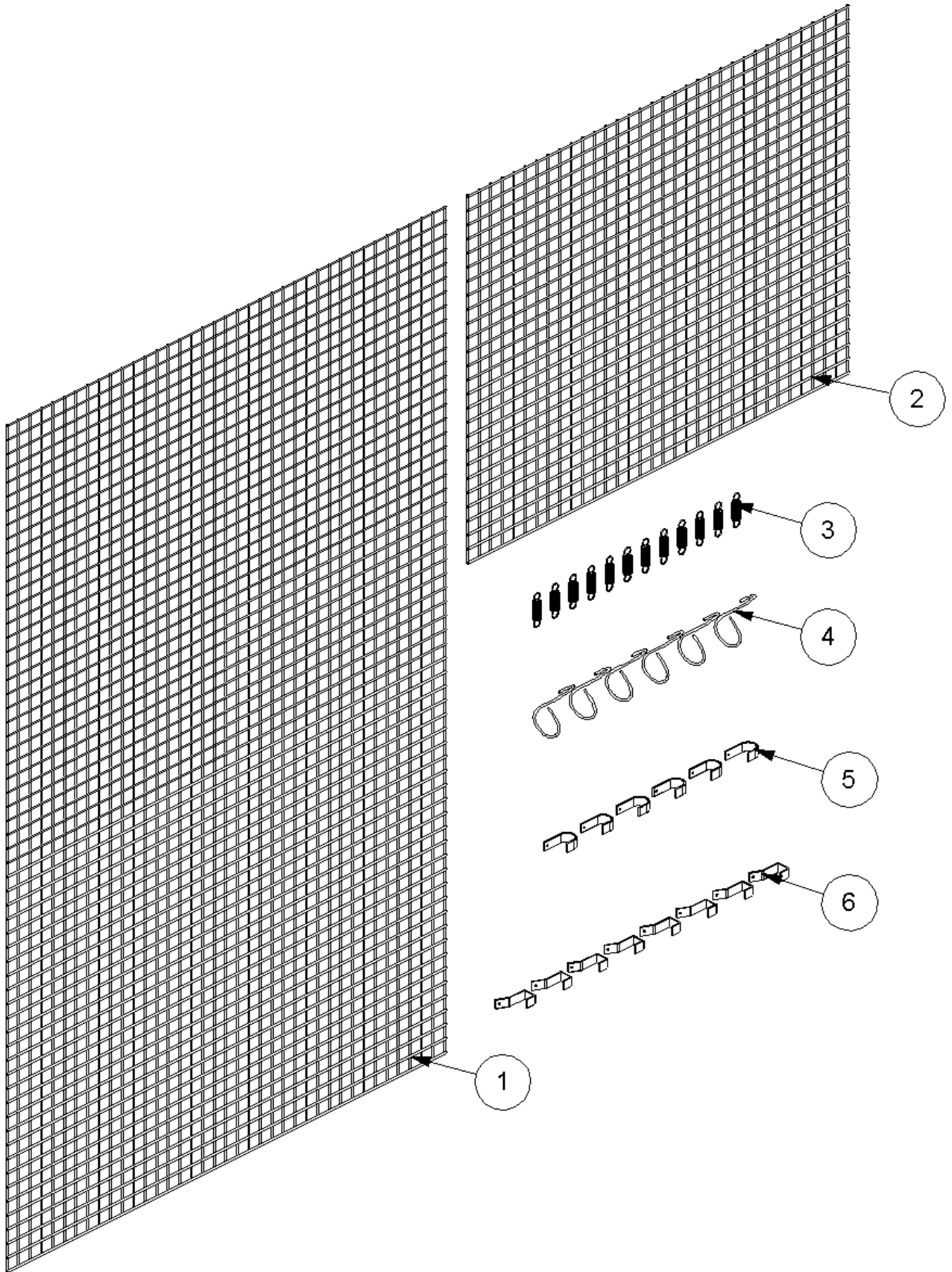
Ref	Part No	Description	Qty
1	0600047	BEARING	2
2	0600048	BEARING	2
3	8629139	SEAL	1
4	0401250	CIRCLIP	1
5	8629134	SEAL	1
6	9313046	SCREW	4
7	9100206	WASHER	4
8	5771124	BREATHER	1



41320.44 - PA3530 HOSE KIT (REV A) LH FM

Ref	Part No	Description	Qty
0	10.002.25	HOSE	2
0	10.002.41	HOSE	1
0	10.003.11	HOSE	1
0	10.006.12	HOSE	1
0	10.007.39	5/8" HOSE	2
0	10.008.08	HOSE	1
0	10.017.36	HOSE	2
0	10.017.41	HOSE	2
0	10.020.04	HOSE	1

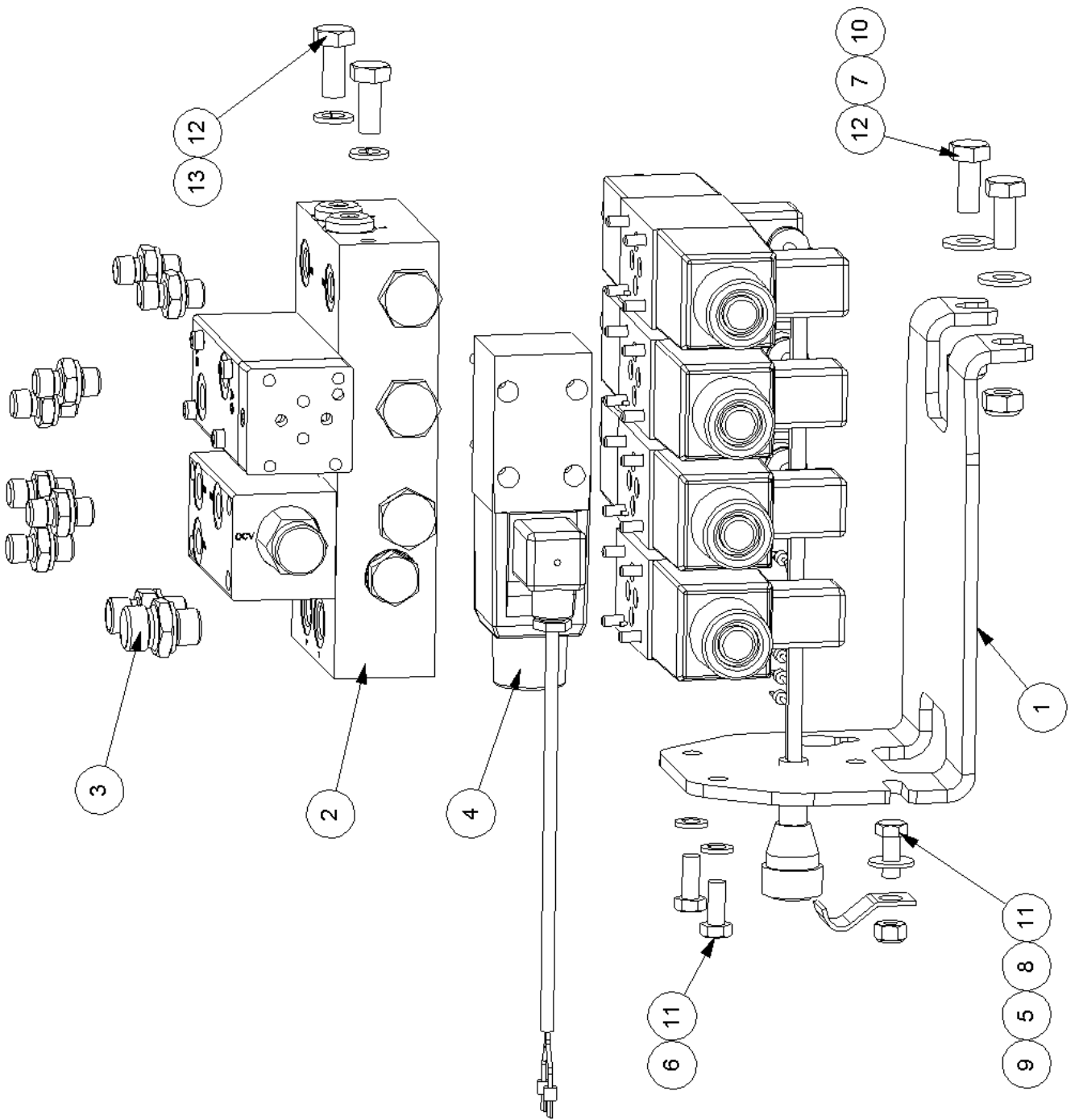




7313324 - GUARD KIT

Ref	Part No	Description	Qty
1	7313049	GUARD PANEL	1
2	7313050	GUARD PANEL	1
3	6001064	SPRING	12
4	6001065	HOOK	6
5	41587.01	GUARD HOOK	6
6	41745.01	HOOK	8
7	22342.01	CABLE TIE	1
8	7196045	HOSE TIE	2

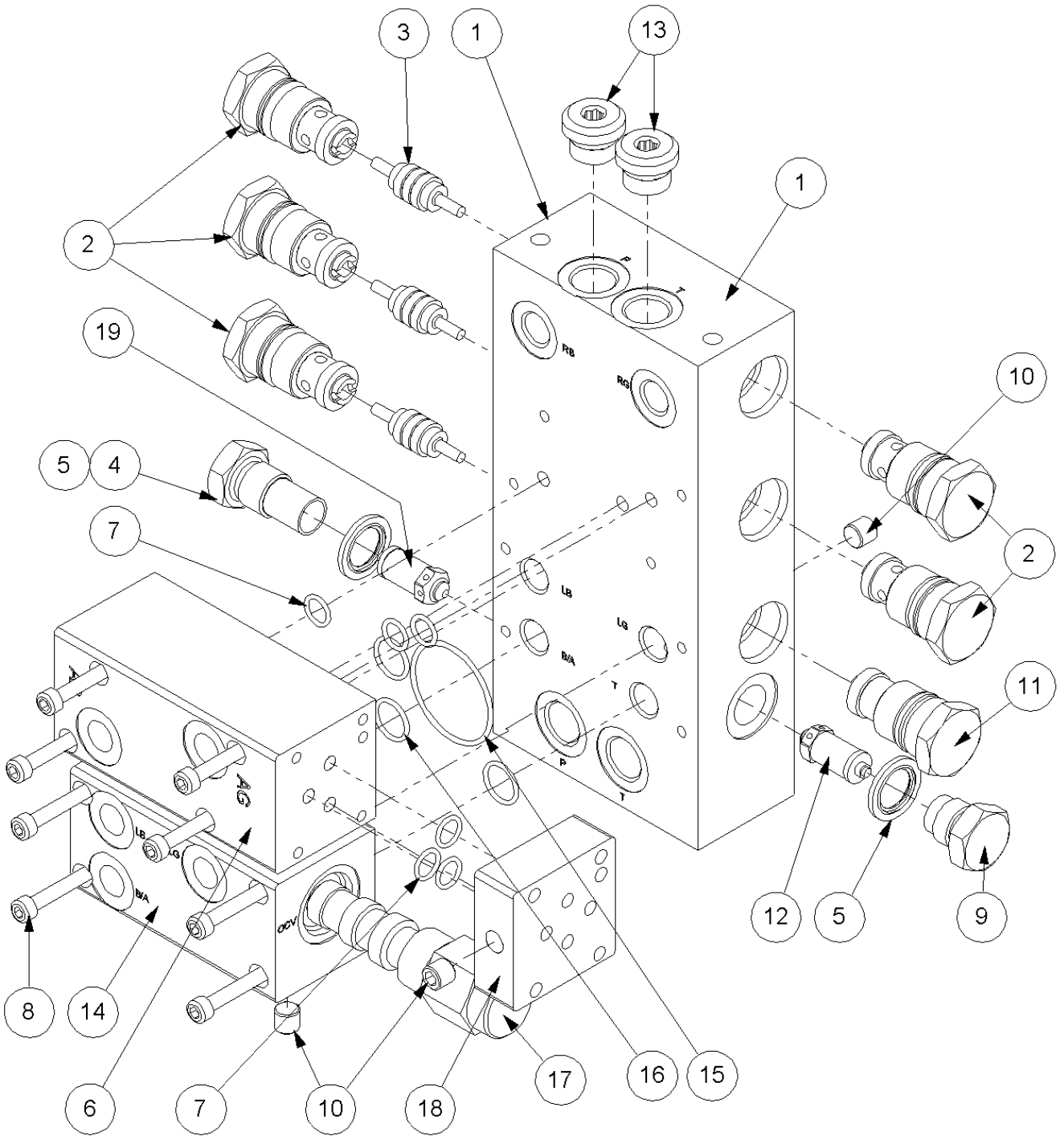
7435700 B - ACV ASSY



7435700 B - ACV ASSY

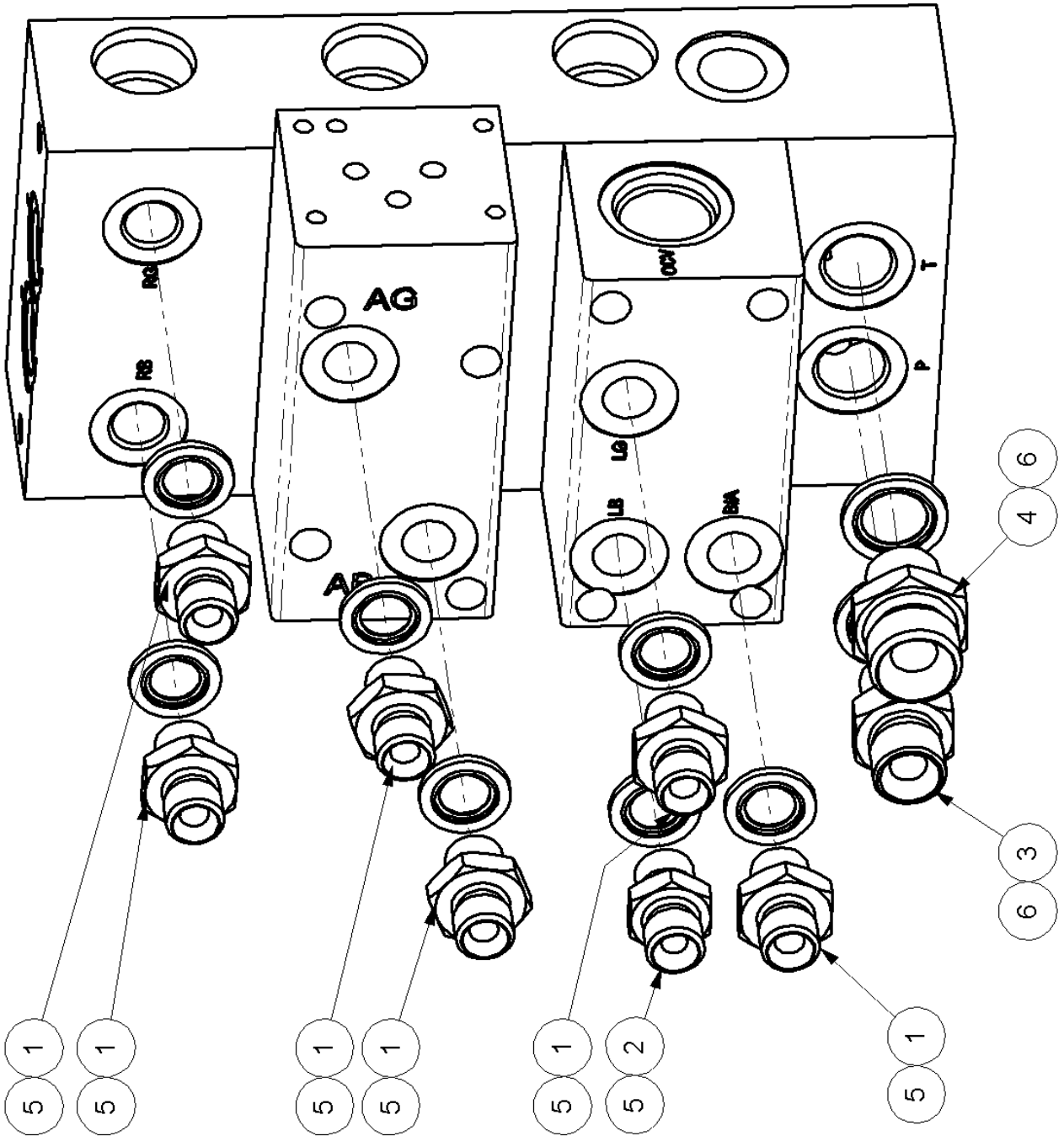
Ref	Part No	Description	Qty
1	41196.57	VALVE MTG PLATE	1
2	22523.27	MANIFOLD ASSY	1
3	22524.96	ADAPTOR KIT	1
4	22525.57	SOLENOID	1
5	7109151	CLAMP	1
6	9100204	WASHER	2
7	9100105	WASHER	2
8	9100104	WASHER	1
9	9163004	NUT	1
10	9163005	NUT	2
11	9313044	SCREW	3
12	9313055	SCREW	4
13	9100205	WASHER	2

22523.27 - MANIFOLD ASSY



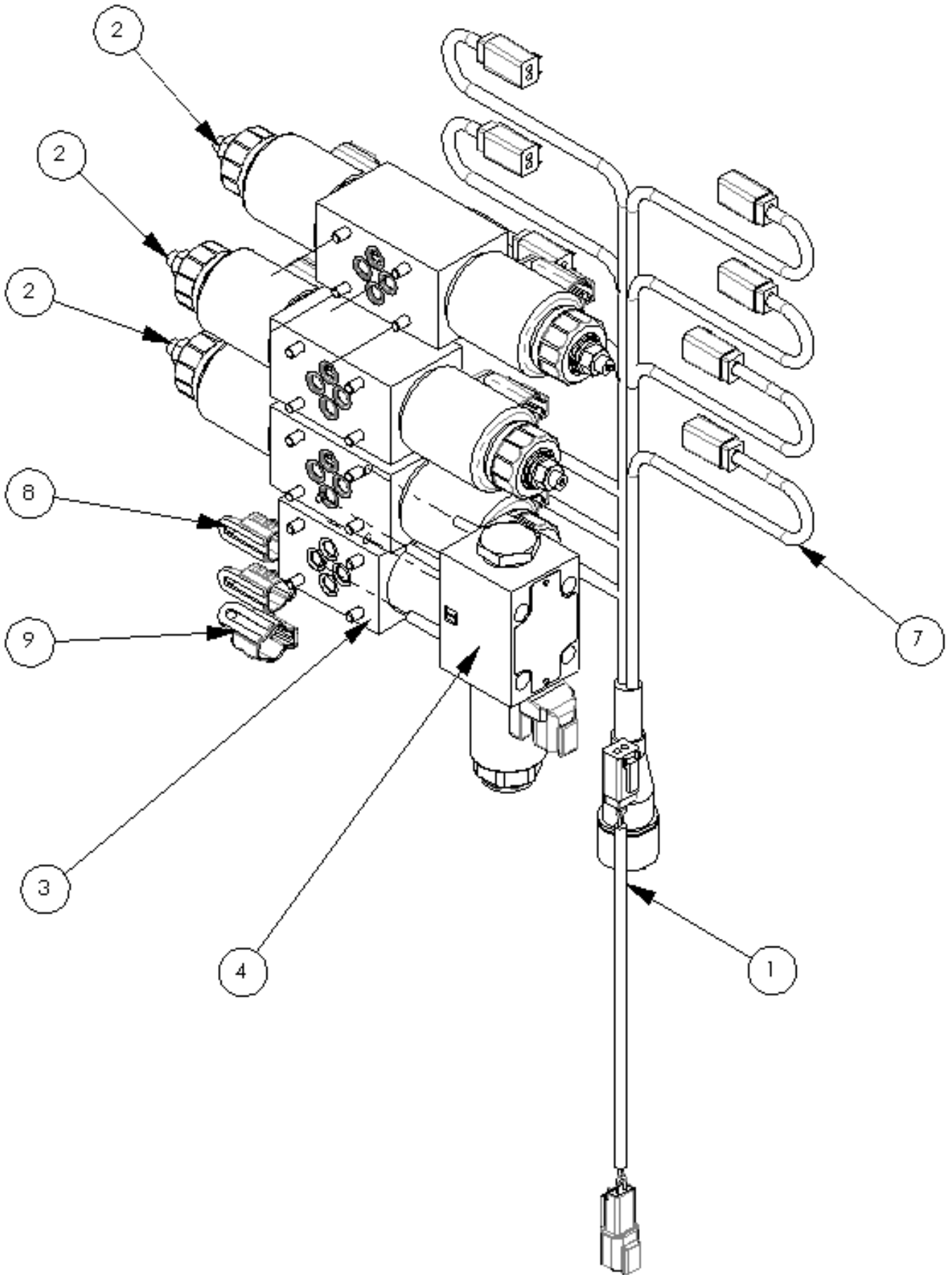
22523.27 - MANIFOLD ASSY

Ref	Part No	Description	Qty
1	8132309	MANIFOLD 3 BANK	1
2	8130090	VALVE	5
3	8130087	ACTUATOR	3
4	8130032	CAP	1
5	8650103	SEAL	2
6	8126333	BLOCK	1
7	8700511	"O" RING	6
8	9243082	SCREW	8
9	8130031	CAP	1
10	8582041	PLUG	3
11	8130354	VALVE	1
12	8130164	VALVE	1
13	8581436	ADAPTOR	2
14	8132310	MANIFOLD	1
15	8600517	'O'RING-1.7/16"	1
16	8700517	O RING	3
17	8130204	VALVE	1
18	8126334	PLATE	1
19	8130029	VALVE	1



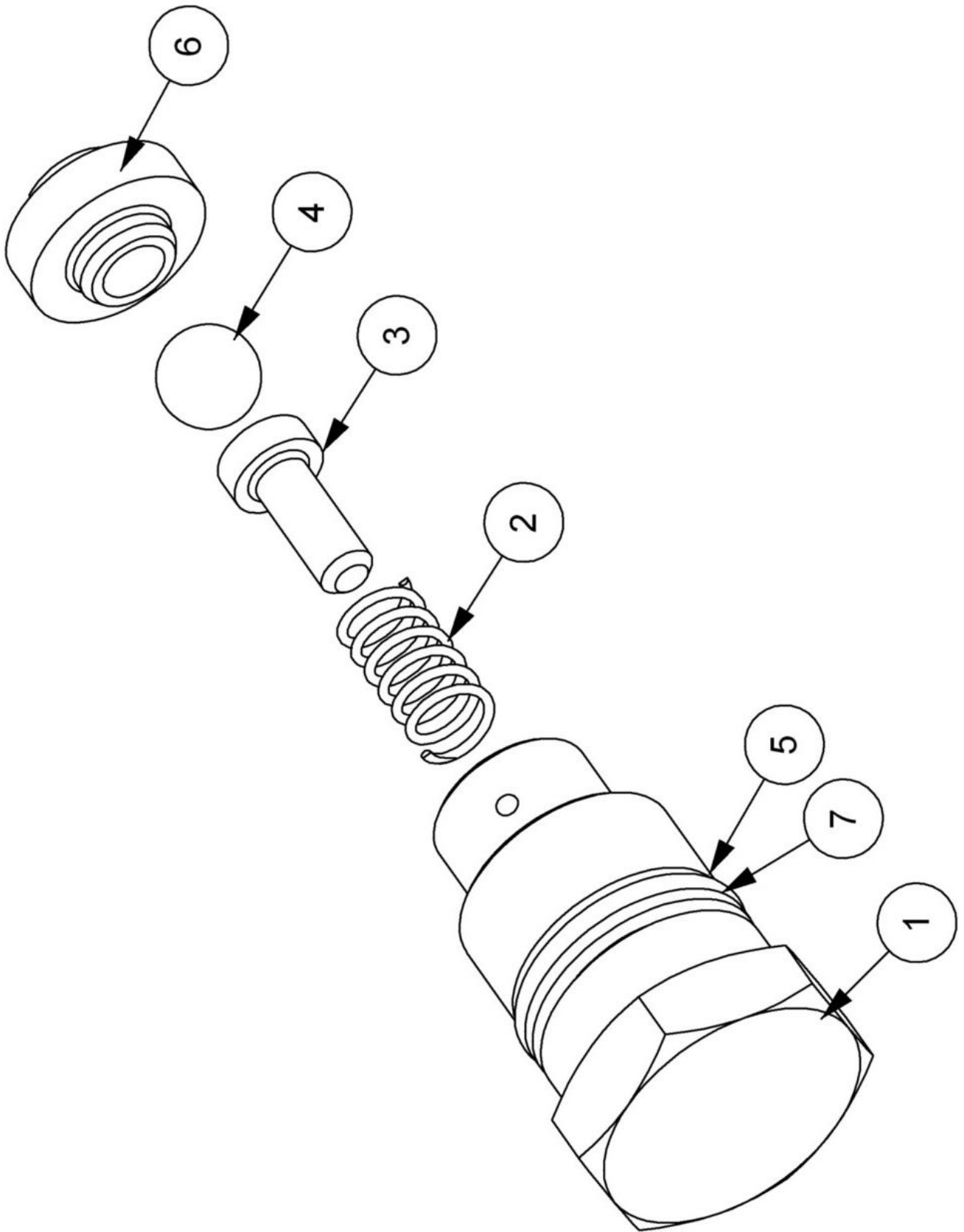
22524.96 - ADAPTOR KIT

Ref	Part No	Description	Qty
1	8581169	ADAPTOR	6
2	8130038	RESTRICTOR	1
3	6000113	ADAPTOR	1
4	6000112	ADAPTOR	1
5	8650102	SEAL	7
6	8650103	SEAL	2



22525.57 D - SOLENOID

Ref	Part No	Description	Qty
1	41844.34	LOOM ANGLE FLOAT DT CONNECTOR	1
2	23550.11	PROP DCV	3
3	23550.13	VALVE	1
4	23550.15	DCV	1
7	41844.27	LOOM 14 CORE 19WAY PLUG DT	1
8	45594.41	SEALING CAP	1
9	45594.42	SEALING CAP	1
22	23550.18	TOOL - MANUAL SOL. OPERATION	1

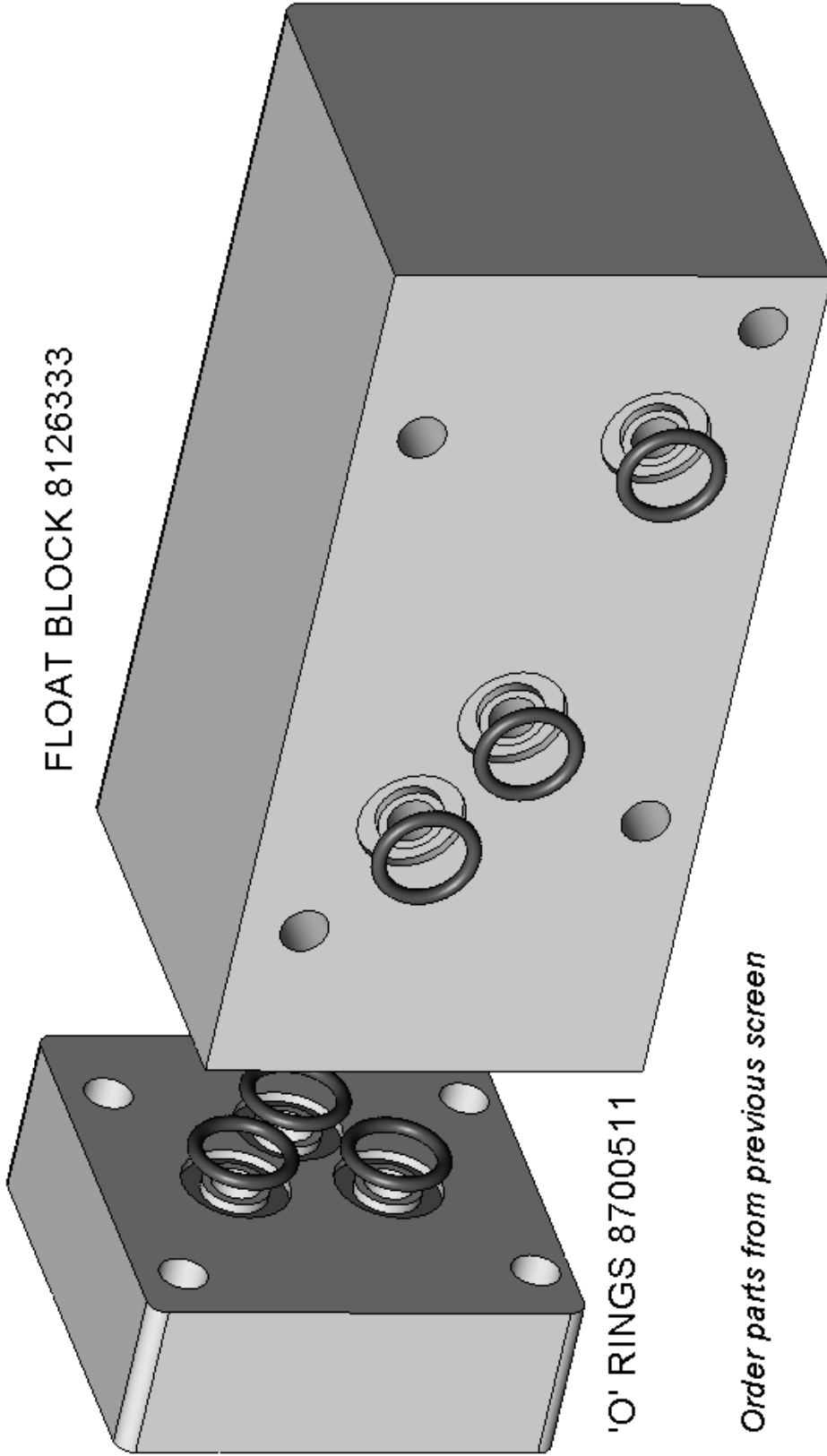


8130090 - VALVE

Ref	Part No	Description	Qty
1	8130025	CAP	1
2	8114045	SPRING	1
3	8130089	GUIDE	1
4	0905509	BALL	1
5	8700644	"O" RING	1
6	8130088	SEAT	1
7	8709644	ANTI.EXT.RING	1

BRIDGING PLATE 8126334

FLOAT BLOCK 8126333



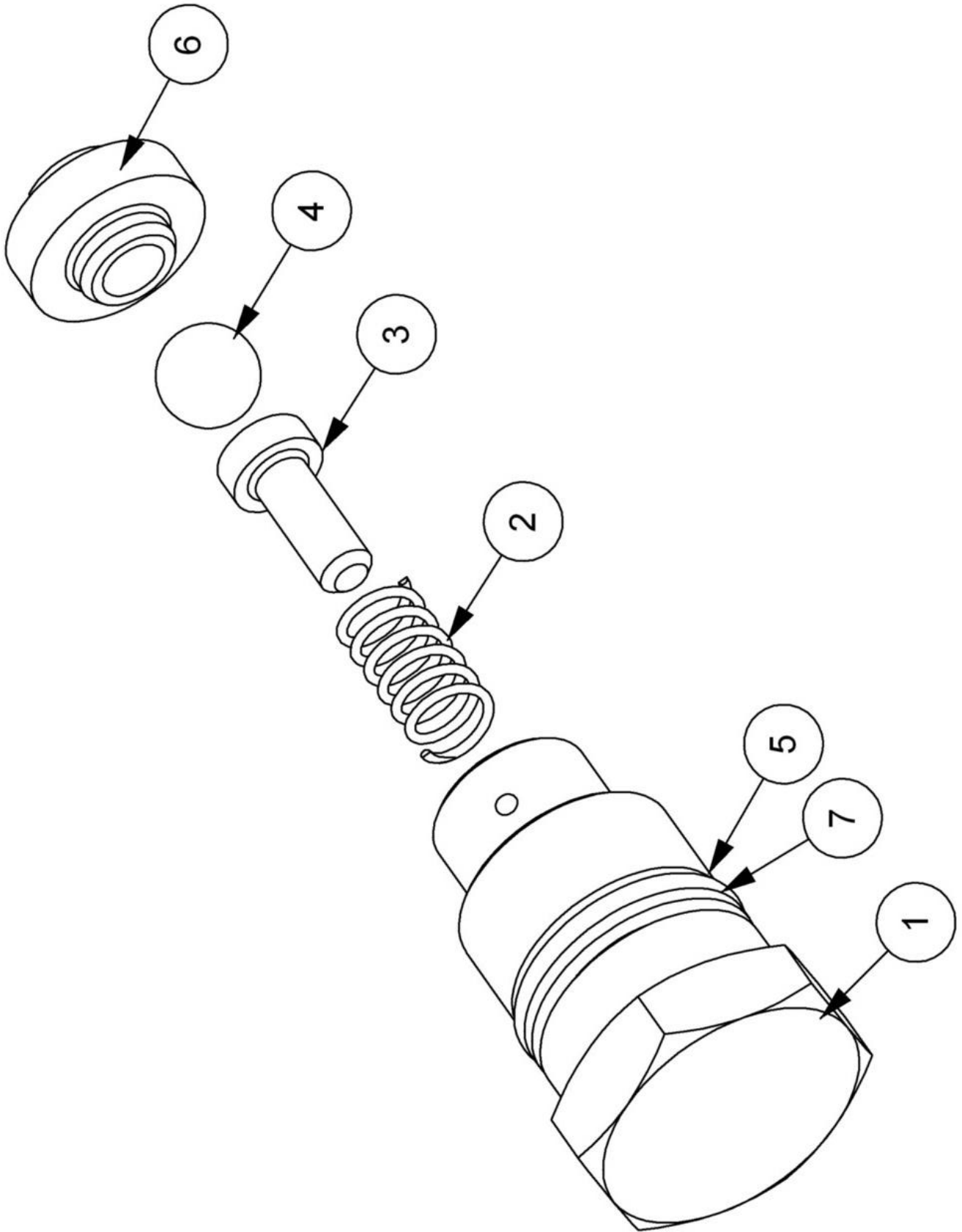
'O' RINGS 8700511

Order parts from previous screen

IDENTIFICATION & LOCATION OF 'O' RINGS

8126333 - BLOCK

Ref	Part No	Description	Qty
1	0036	BRIGHT SQUARE	116

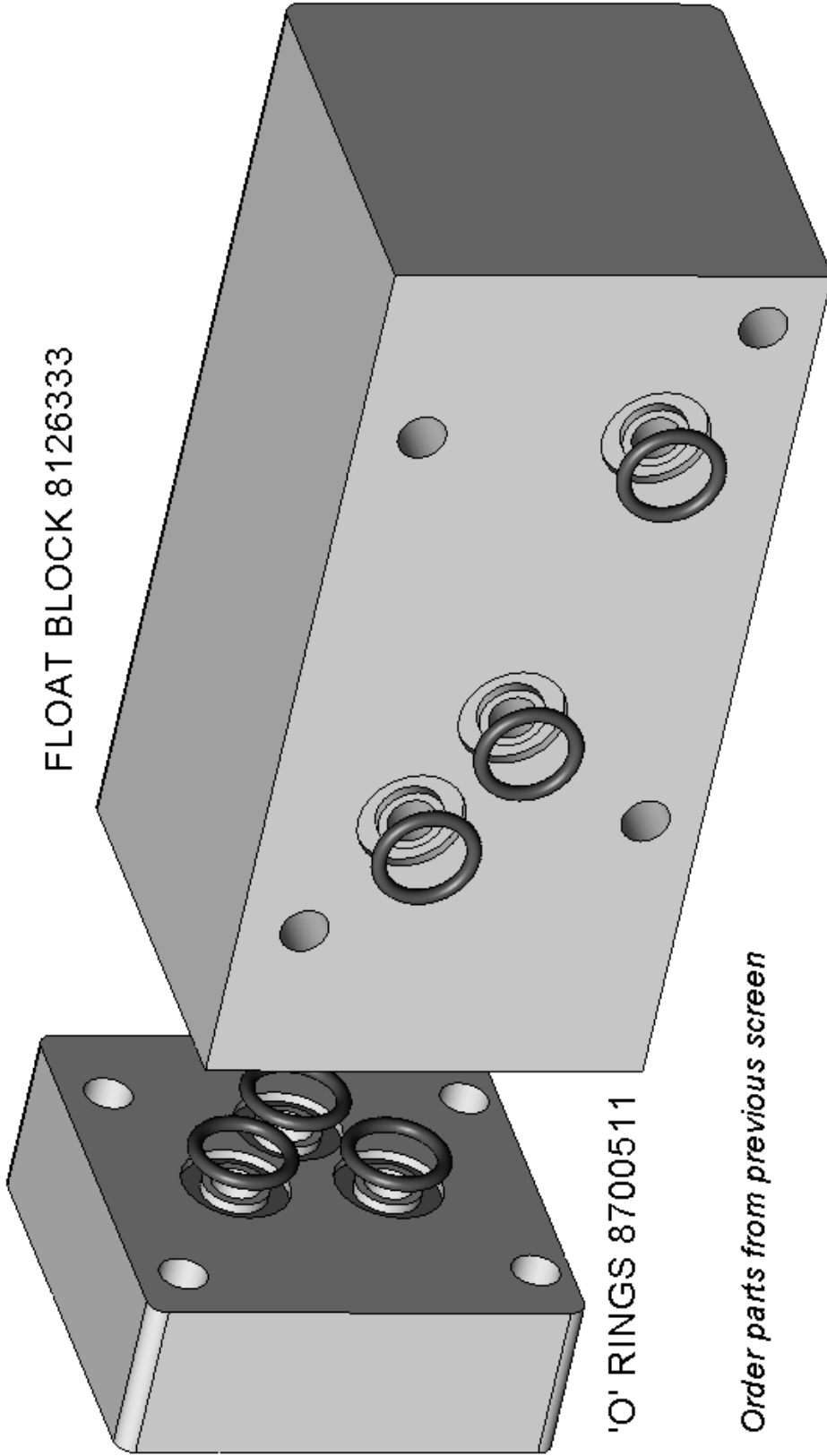


8130354 - VALVE

Ref	Part No	Description	Qty
1	8130209	CAP	1
2	8114045	SPRING	1
3	8130089	GUIDE	1
4	0905509	BALL	1
5	8700644	"O" RING	1
6	8130088	SEAT	1
7	8709644	ANTI.EXT.RING	1

BRIDGING PLATE 8126334

FLOAT BLOCK 8126333



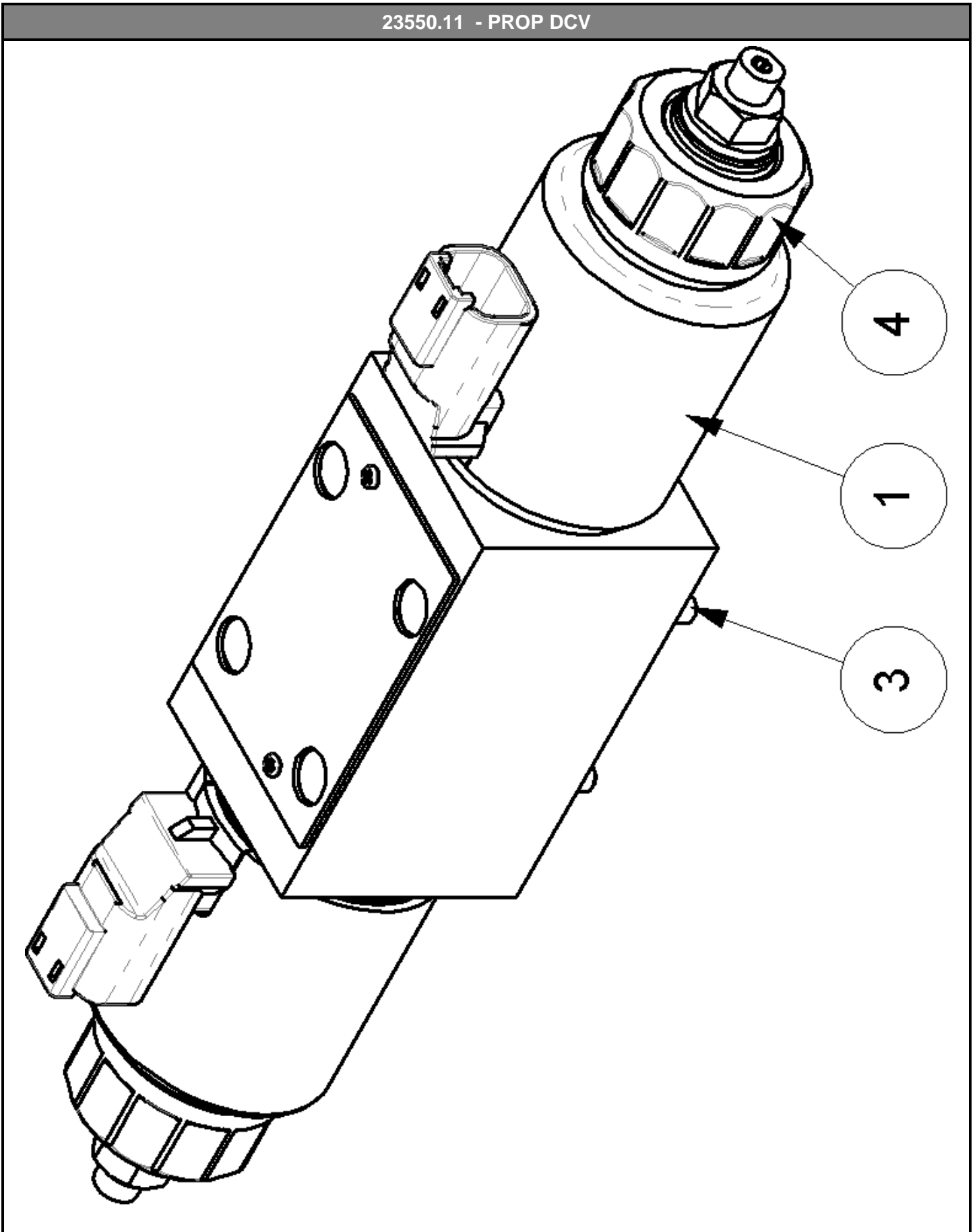
'O' RINGS 8700511

Order parts from previous screen

IDENTIFICATION & LOCATION OF 'O' RINGS

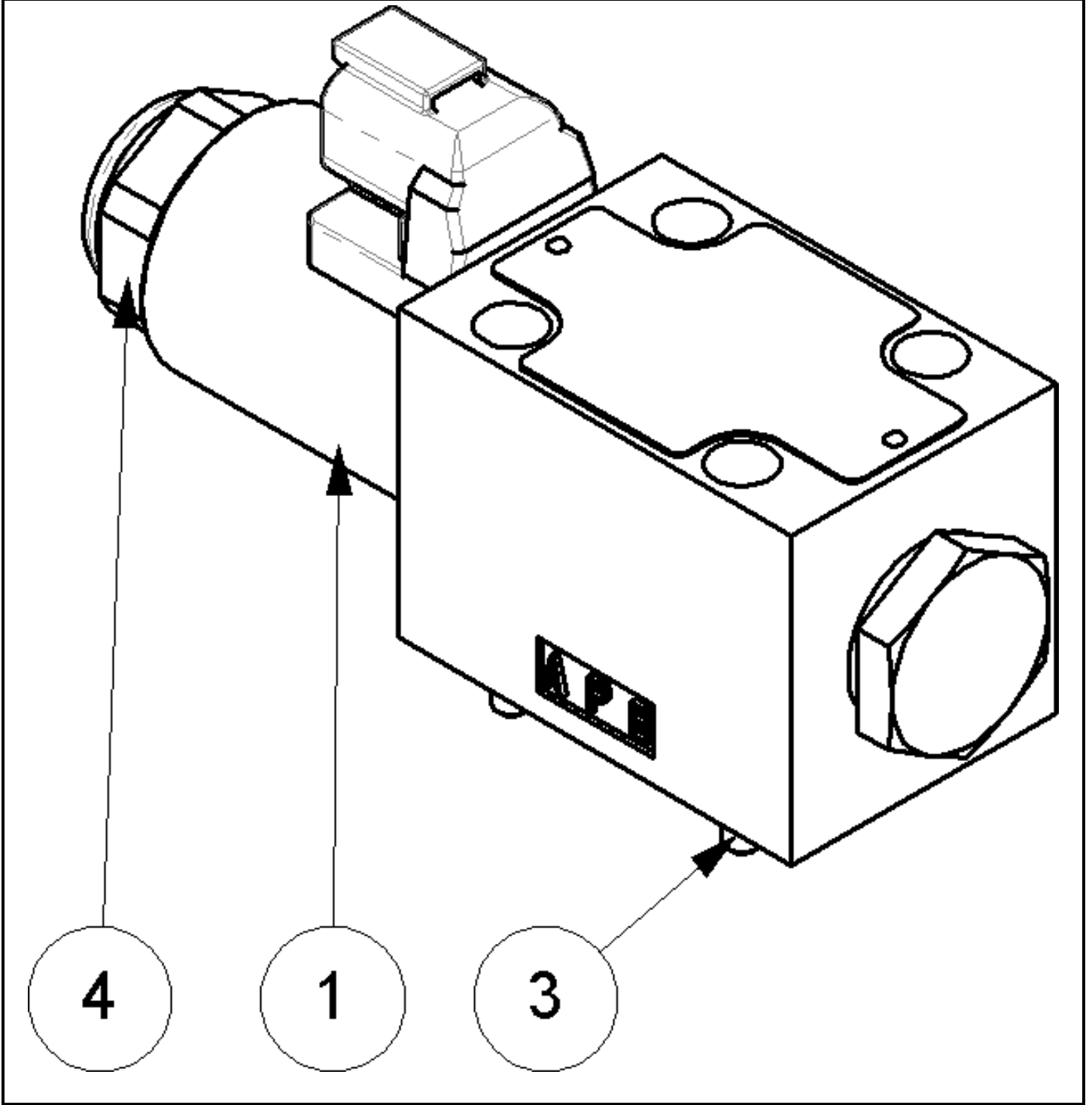
8126334 - PLATE

Ref	Part No	Description	Qty
1	0036	BRIGHT SQUARE	26



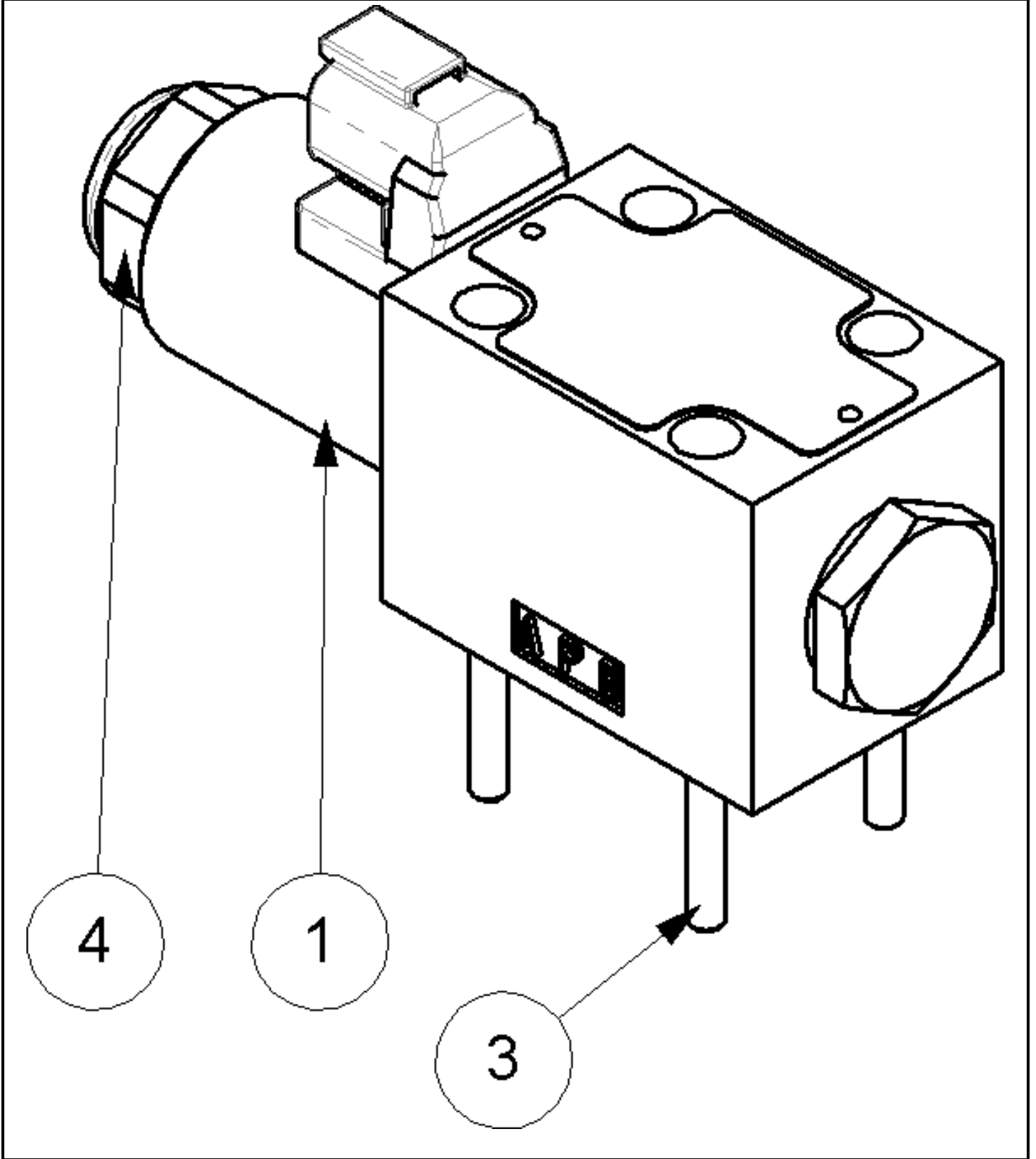
23550.11 - PROP DCV

Ref	Part No	Description	Qty
1	23550.37	PROP COIL	2
2	23550.32	SEAL KIT	1
3	9200076	CAP SCREW	4
4	23550.35	COIL NUT	2



23550.13 - VALVE

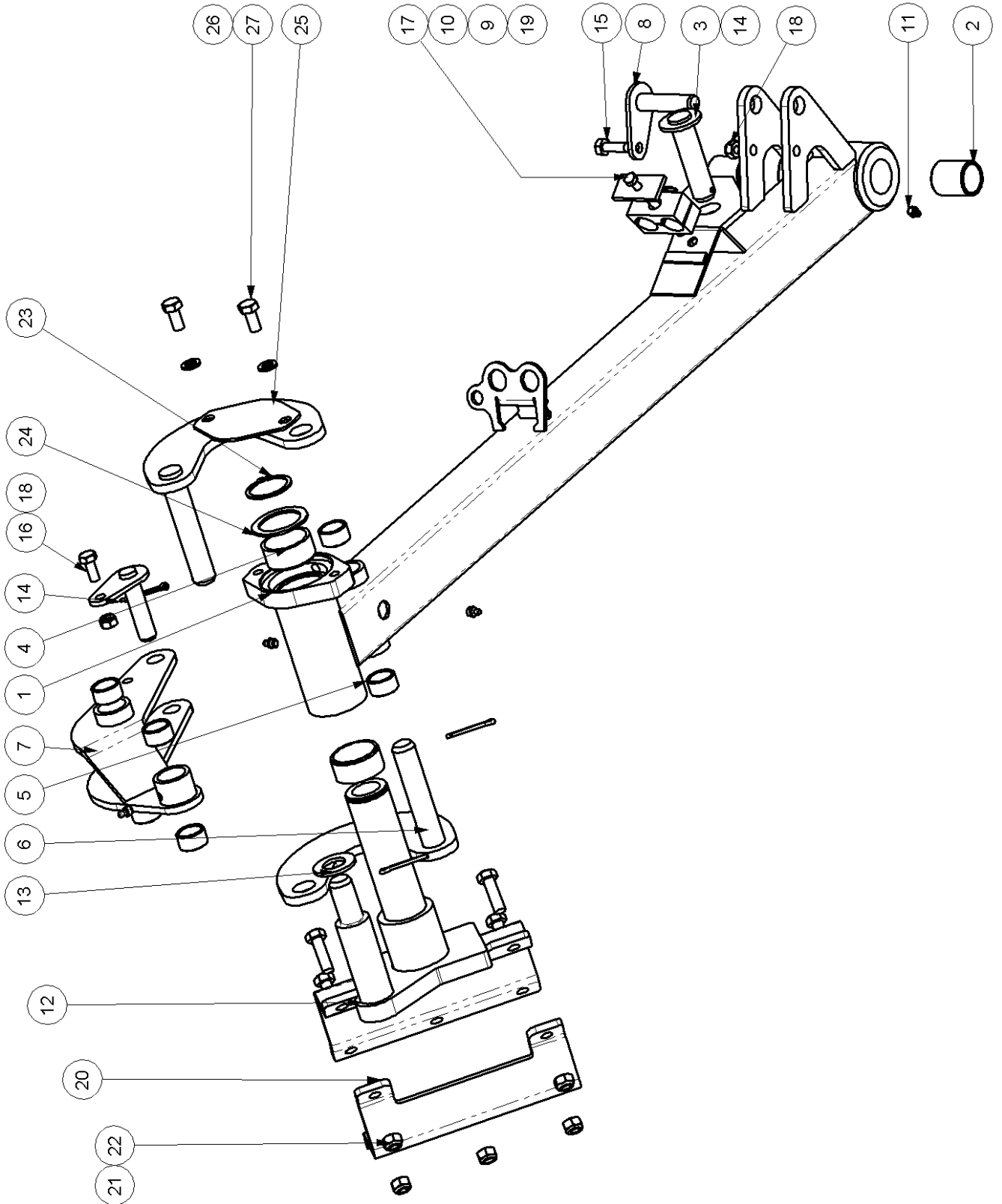
Ref	Part No	Description	Qty
1	23550.38	COIL	1
2	23550.34	SEAL KIT	1
3	9200077	CAP SCREW	4
4	23550.36	COIL NUT	1



23550.15 - DCV

Ref	Part No	Description	Qty
1	23550.38	COIL	1
2	23550.34	SEAL KIT	1
3	9200078	CAP SCREW	4
4	23550.36	COIL NUT	1

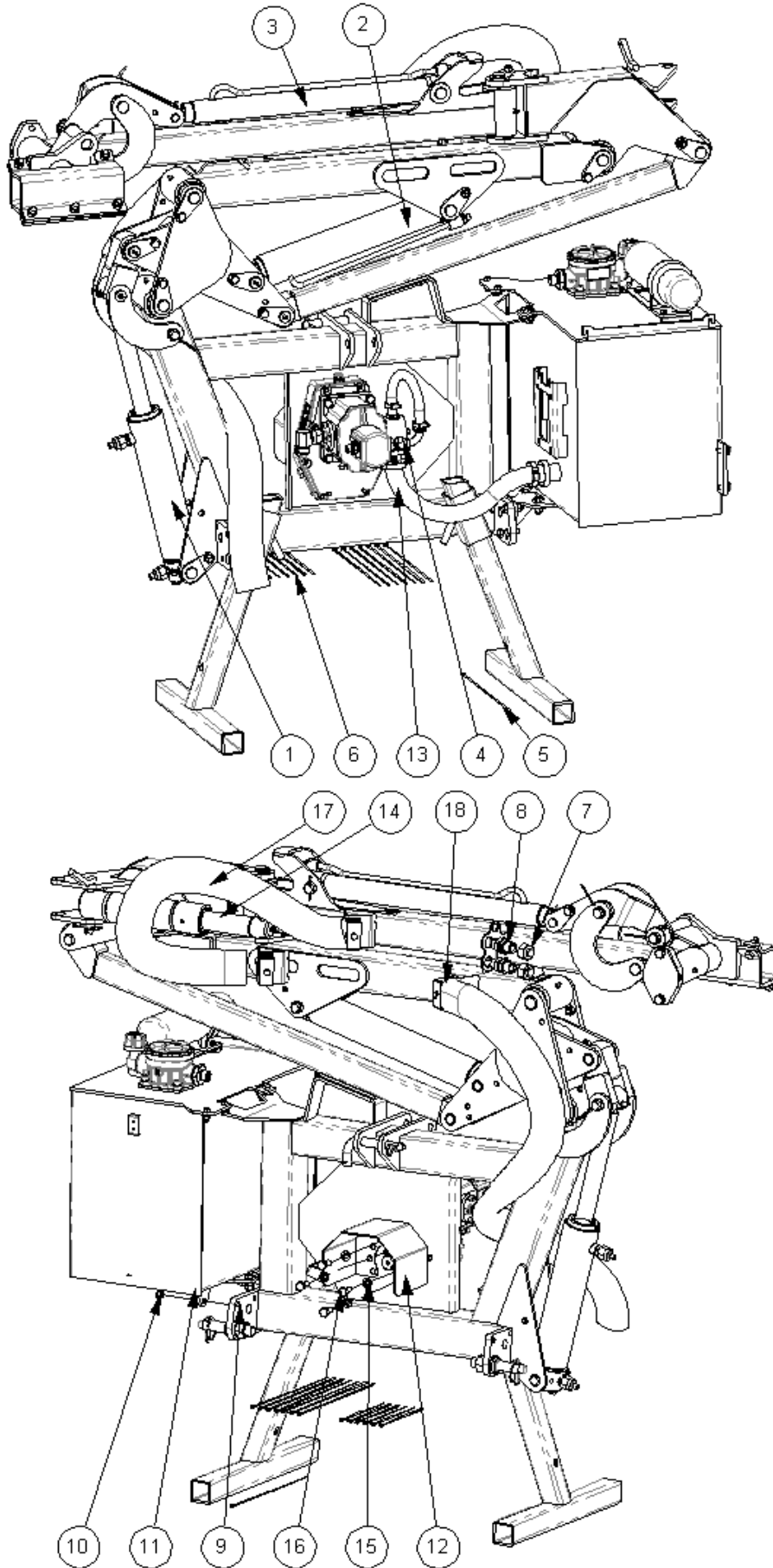
7435706 - DIPPER MODULE



7435706 - DIPPER MODULE

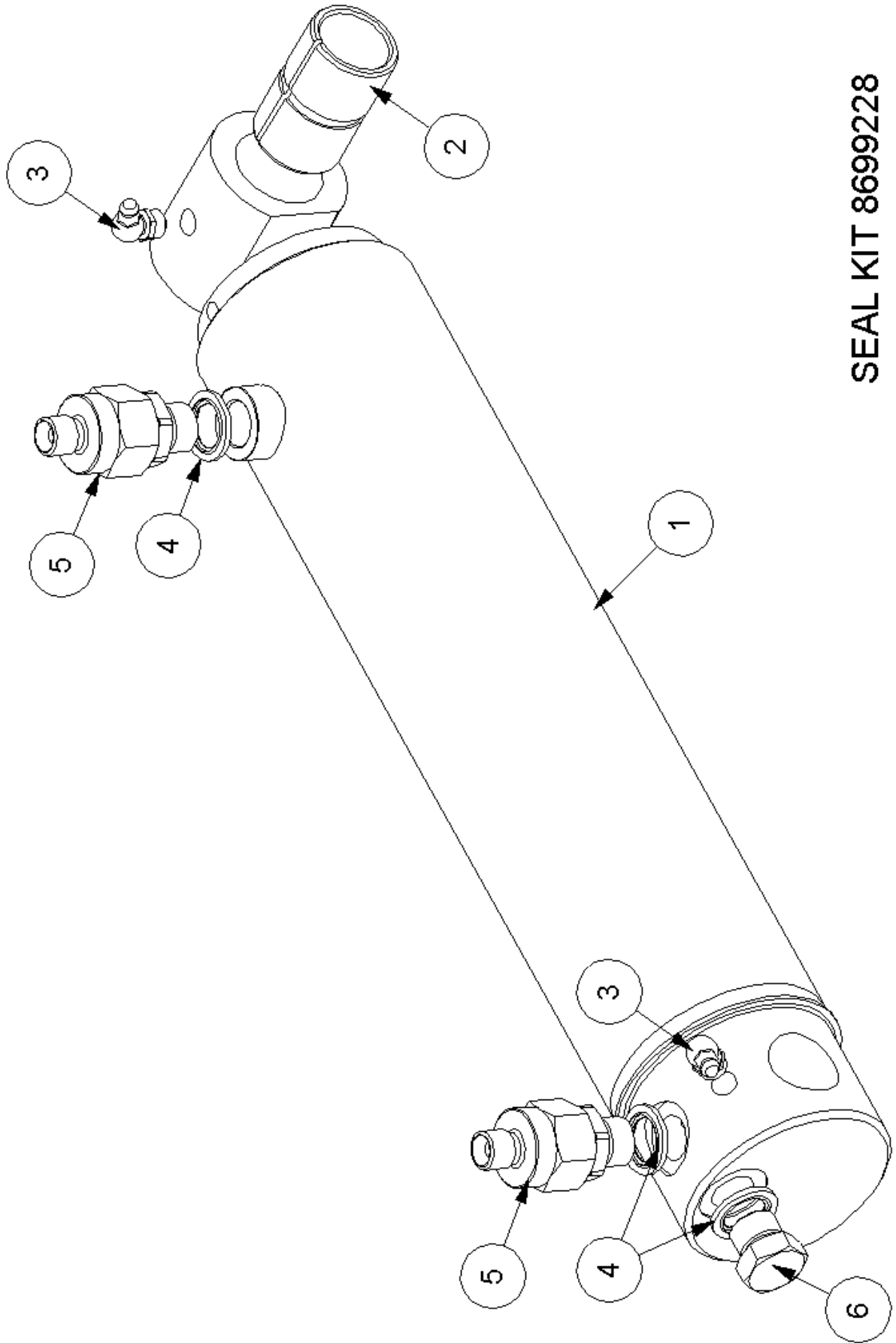
Ref	Part No	Description	Qty
1	41202.09	W/A DIPPER ARM	1
2	21149.01	BUSH	2
3	7191041	PIN	1
4	1090001	BEARING	2
5	7214060	BUSH	6
6	21851.02	RADIUS ARM	2
7	21850.03	SLAVE LINK -LH	1
8	41270.01	PIN	2
9	06.430.09	CLAMP (2 PCS)	1
10	06.418.03	PLATE	1
11	0901121	GREASER	5
12	21872.02	BRACKET -LH	1
13	0100109	WASHER	1
14	9501406	PIN	4
15	9313065	SCREW	1
16	9313055	SCREW	1
17	9213124	BOLT	1
18	9163005	NUT	2
19	9163004	NUT	1
20	21873.01	PLATE	1
21	9313086	SCREW	5
22	9163006	NUT	5
23	0406247	CIRCLIP	1
24	1090037	WASHER	1
25	41261.44	PLATE	1
26	9100206	WASHER	2
27	9313056	SCREW	2

7435709 D - HYD.INST.MODULE



7435709 D - HYD.INST.MODULE

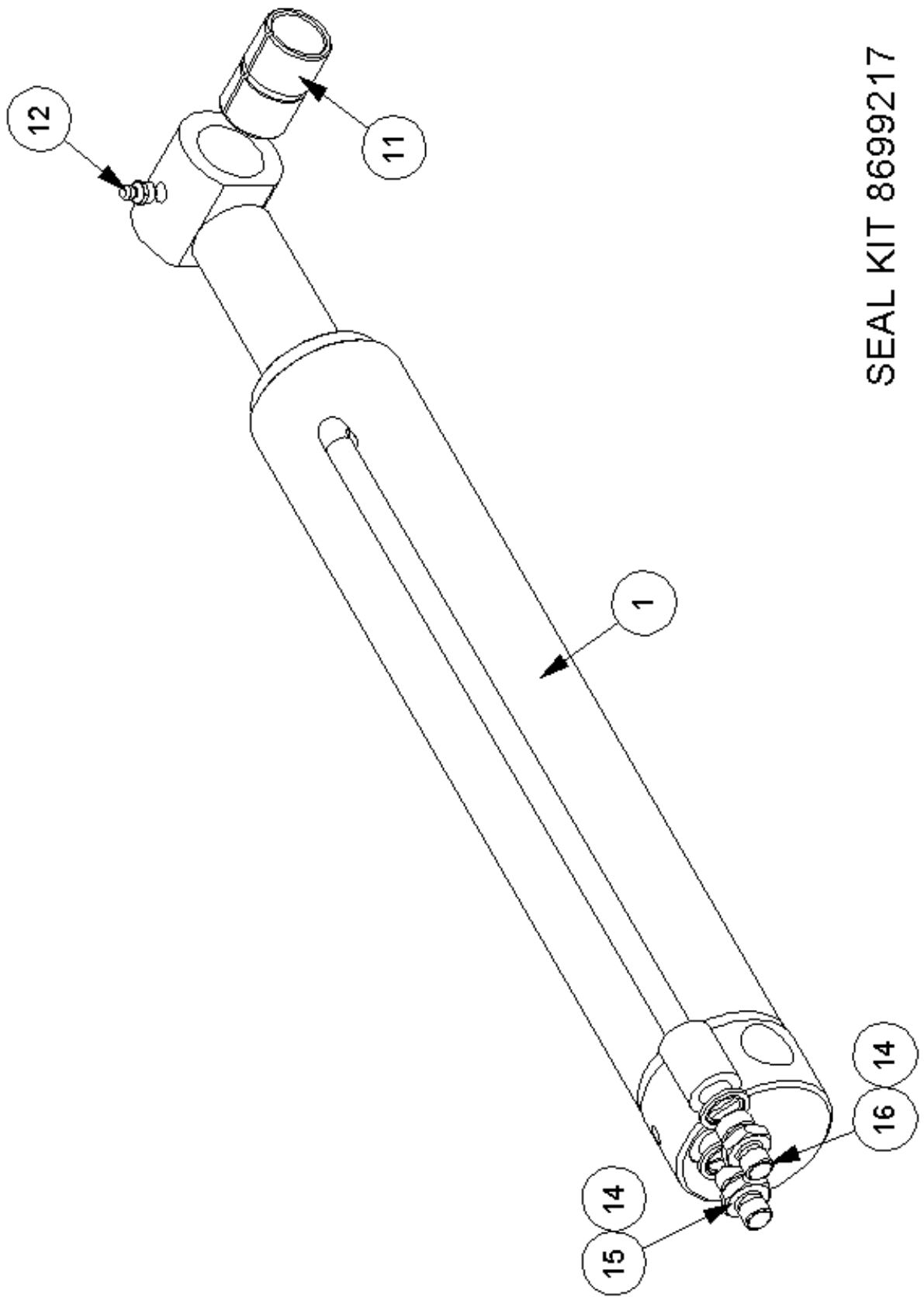
Ref	Part No	Description	Qty
1	41014.11	RAM	1
2	41015.03	RAM ASSY	1
3	21856.01	RAM	1
4	0904107	CLIP	4
5	7196045	HOSE TIE	8
6	7135084	HOSE TIE	6
7	G3812119	ADAPTOR	2
8	08.128.16	ADAPTOR	2
9	9213085	BOLT	3
10	9163005	NUT	3
11	21854.01	TANK BRACKET	1
12	21855.01	GUARD	1
13	8501447	HOSE	1
14	41322.02	RAM	1
15	9100206	WASHER	4
16	9313056	SCREW	4
17	22591.20	HOSE SLEEVING	1
18	22591.23	HOSE SLEEVING	1



SEAL KIT 8699228

41014.11 B - RAM

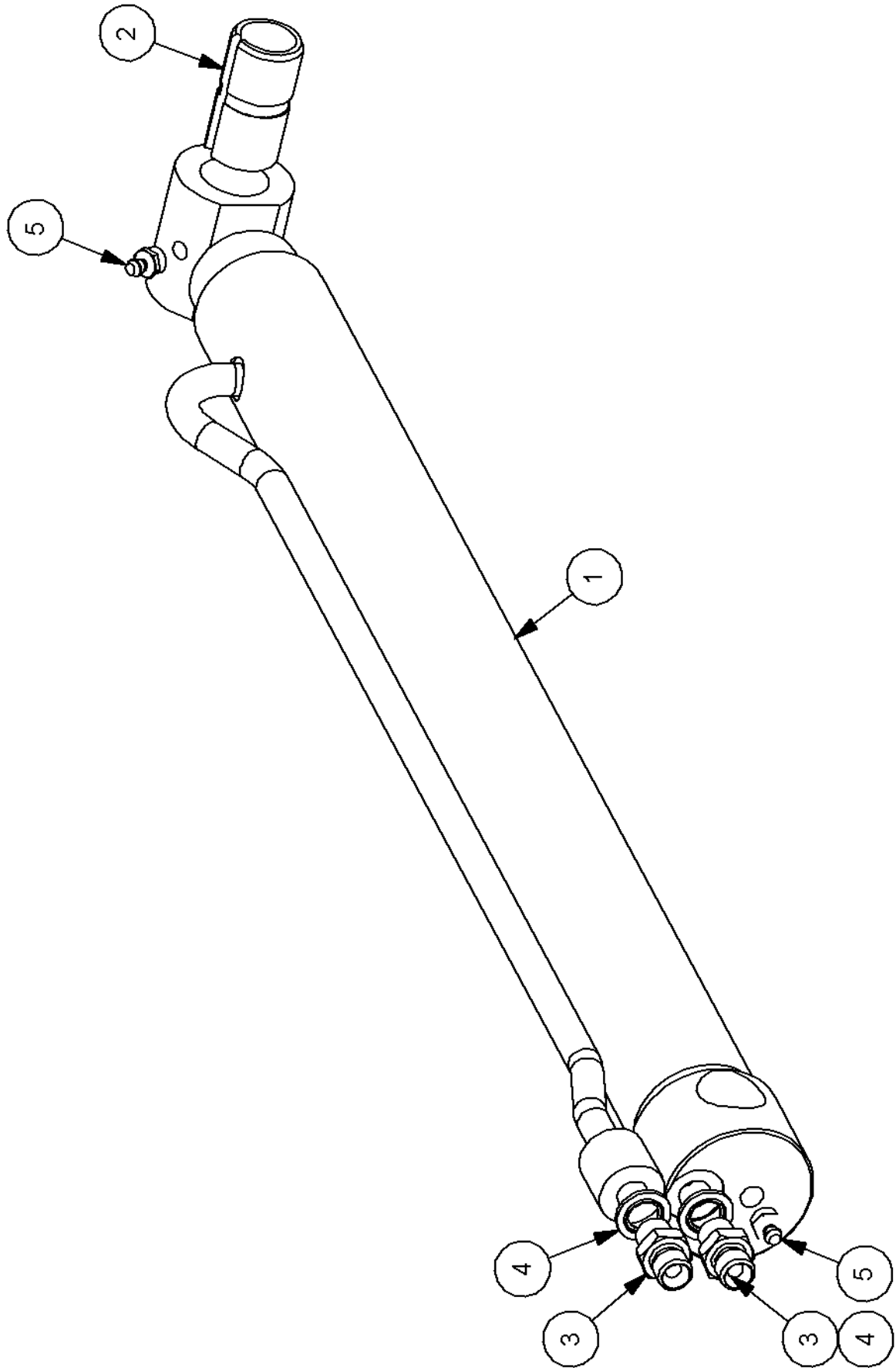
Ref	Part No	Description	Qty
1	41014.11AP	RAM ASSY	1
1	41014.11P	PAINTED RAM	0
1	8699228	SEAL KIT	0
2	7105050	BUSH	1
2	8123107	RESTRICTOR	2
3	0901124	GREASER	2
4	8650103	SEAL	3
6	8003001	PLUG	1



SEAL KIT 8699217

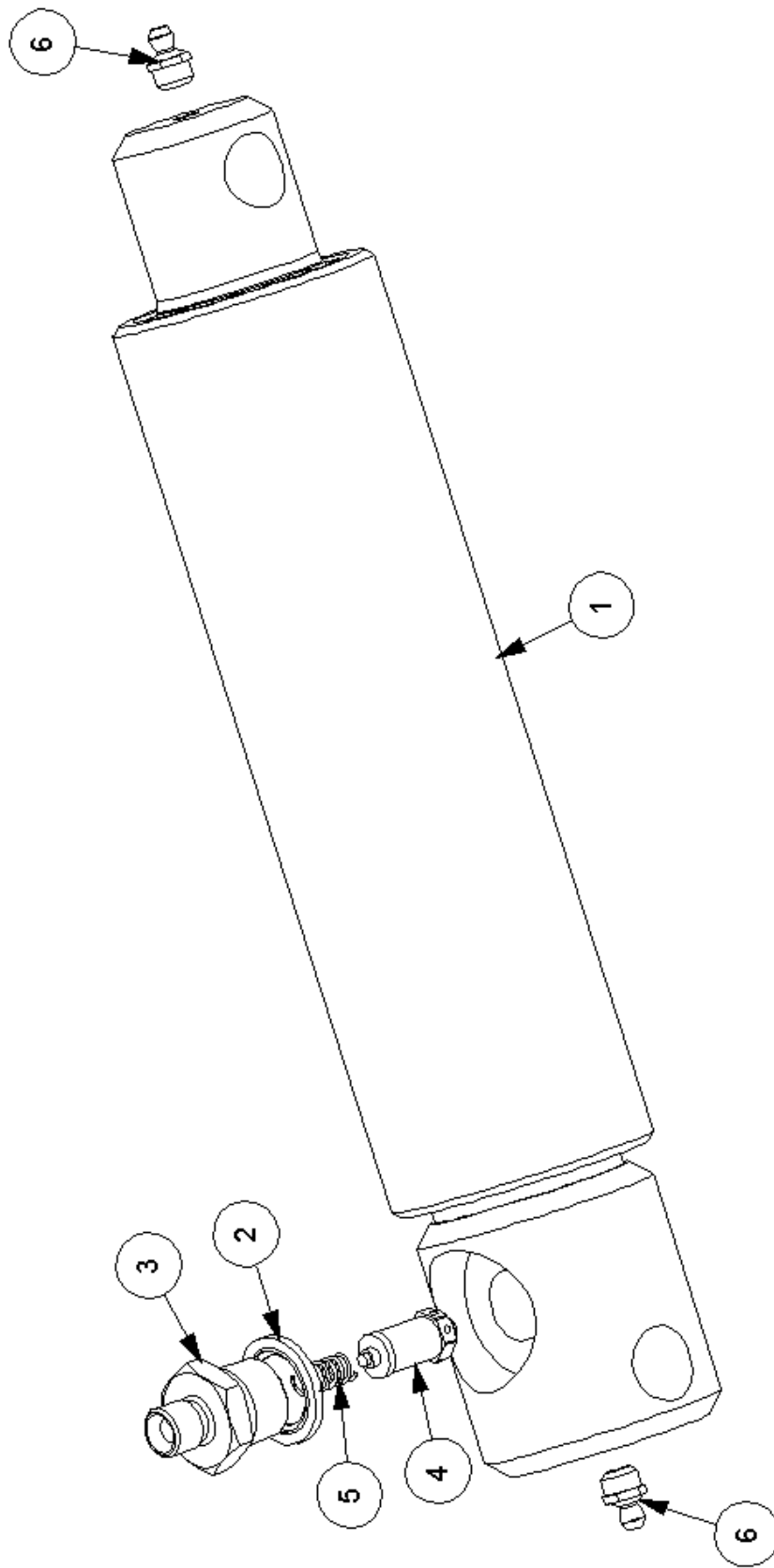
41015.03 B - RAM ASSY

Ref	Part No	Description	Qty
1	41015.03AP	RAM ASSY	1
1	41015.03P	RAM -PAINTED	0
7	8699217	SEAL KIT	0
11	7105050	BUSH	1
12	0901121	GREASER	1
14	8650103	SEAL	2
15	8130046	RESTRICTOR	1
16	8130066	RESTRICTOR	1



21856.01 D - RAM

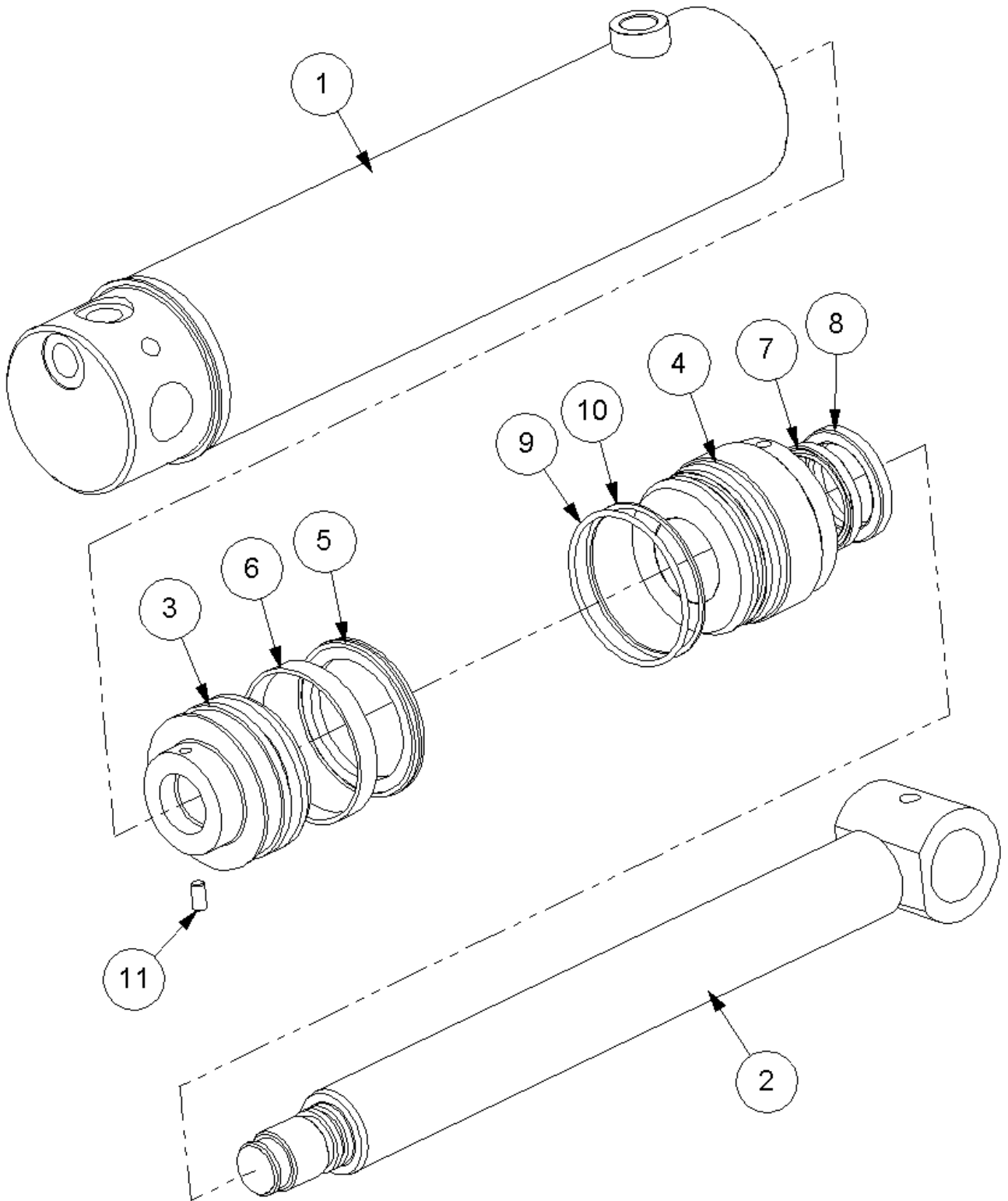
Ref	Part No	Description	Qty
1	21856.01AP	ANGLE	1
1	21856.01P	PAINTED RAM	0
1	21856.02	SEAL KIT	0
2	1130002	BUSH	1
3	8130037	RESTRICTOR	2
4	8650102	SEAL	2
5	0901121	GREASER	2



41322.02 - RAM

Ref	Part No	Description	Qty
1	7198292AP	RAM	1
1	7198292P	RAM -PAINTED	0
2	8650104	SEAL	1
3	8130083	BODY	1
4	8130189	VALVE	1
5	8116011	SPRING	1
6	0901121	GREASER	2

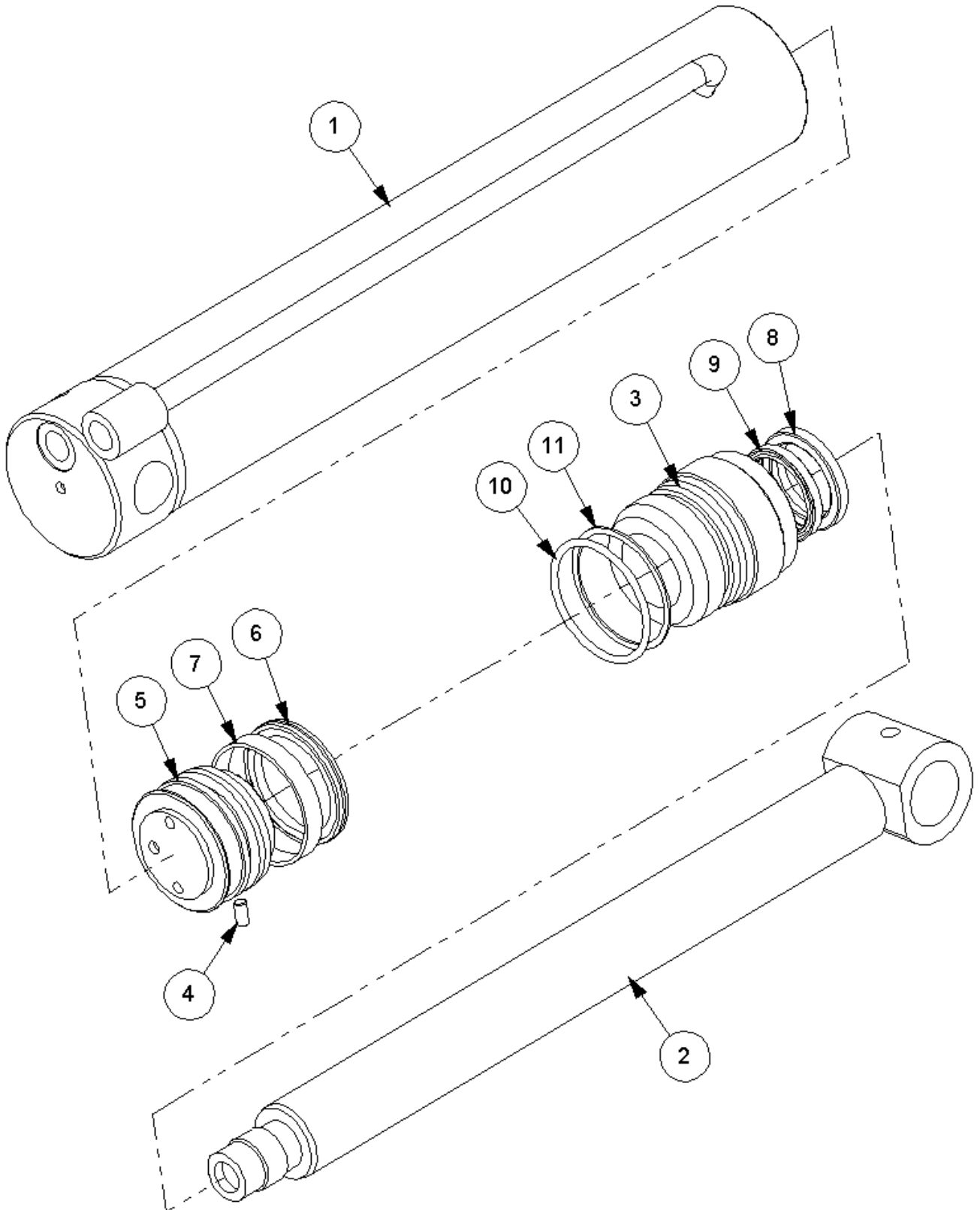
41014.11AP B - RAM ASSY



41014.11AP B - RAM ASSY

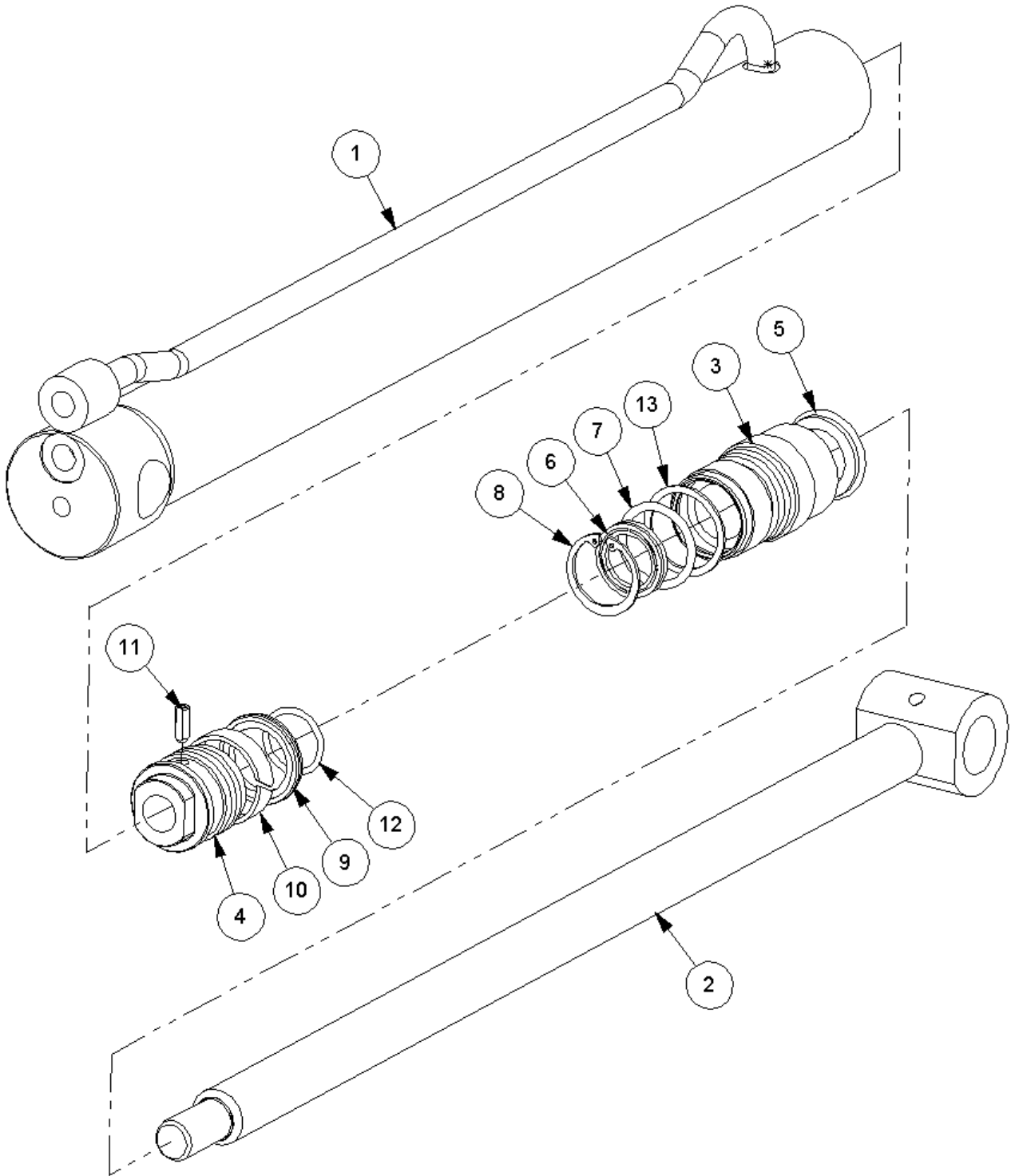
Ref	Part No	Description	Qty
1	41034.04	RAM BARREL	1
2	41035.04	PISTON ROD	1
3	7120383	PISTON	1
4	7120384	HOUSING	1
5	8629189	SEAL	1
6	8629190	SEAL	1
7	8629164	SEAL	1
8	8629147	SEAL	1
9	8600429	"O" RING	1
10	8609429	ANTI.EXT.RING	1
11	9363023	SCREW	1

41015.03AP C - RAM ASSY



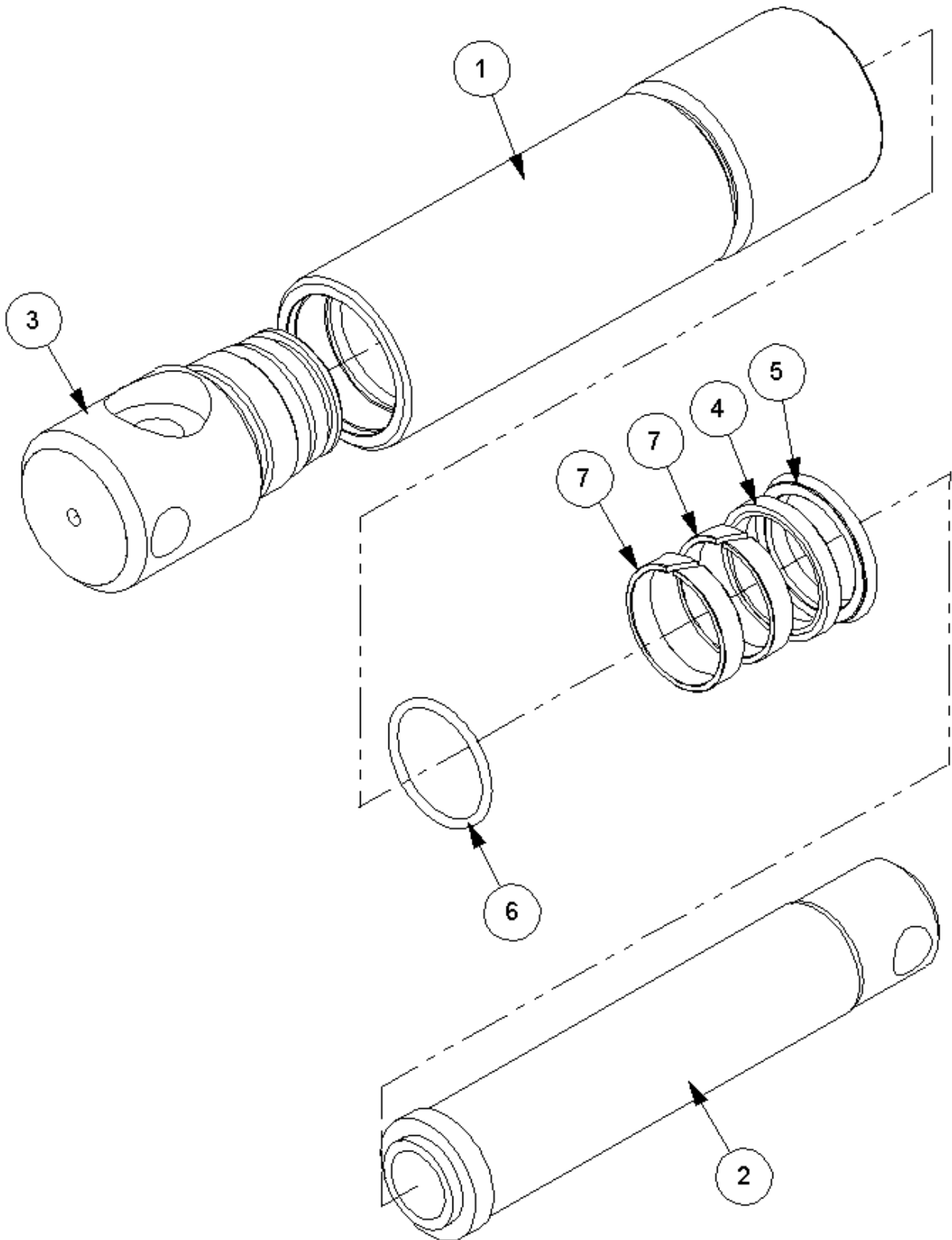
41015.03AP C - RAM ASSY

Ref	Part No	Description	Qty
1	41036.01	BARREL	1
2	41037.01	PISTON ROD	1
3	1186512	HOUSING	1
4	9363023	SCREW	1
5	7120368	PISTON	1
6	8629156	SEAL	1
7	8629157	GUIDE RING	1
8	8629147	SEAL	1
9	8629164	SEAL	1
10	8600306	O-RING	1
11	8609306	ANTI.EXT.RING	1



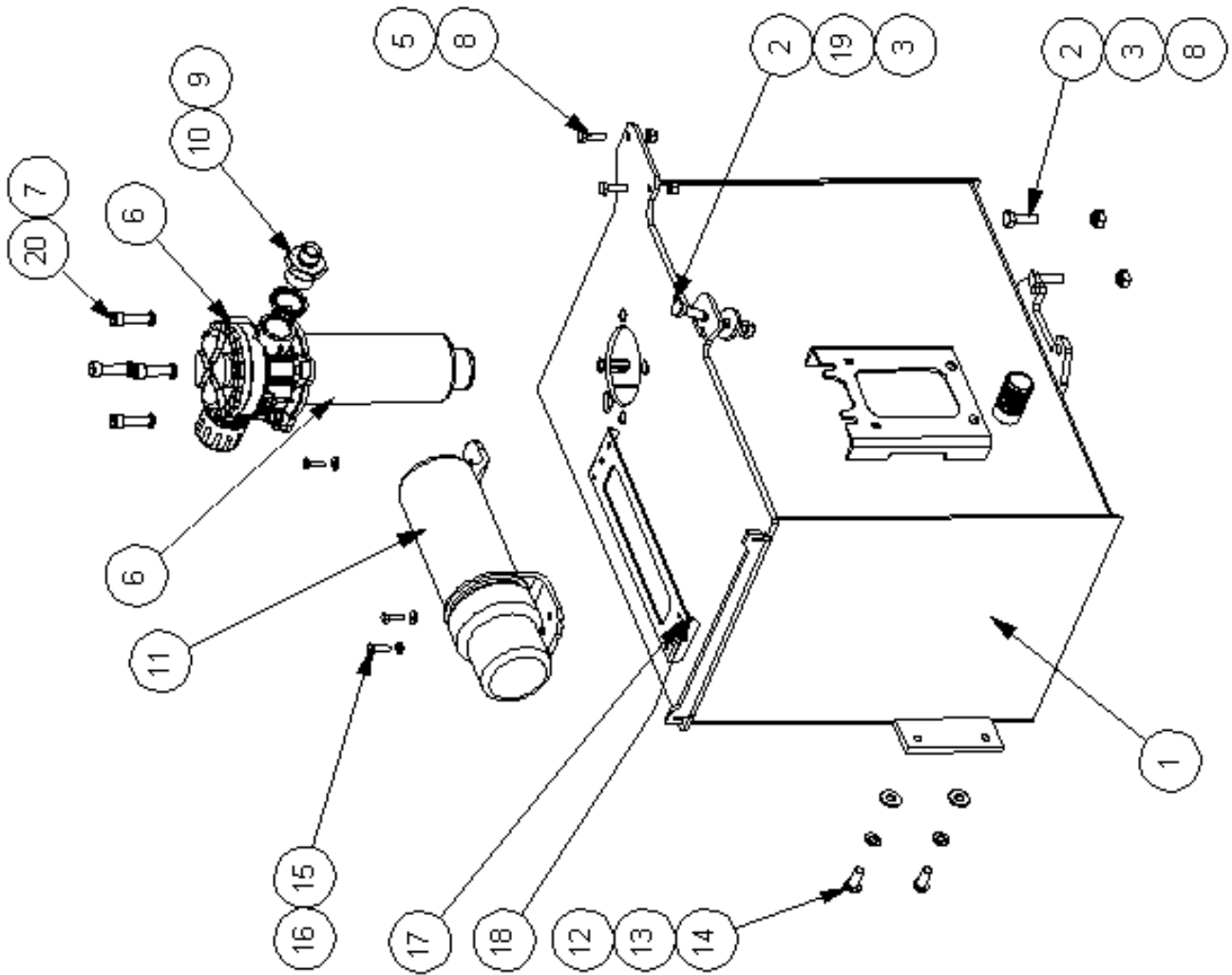
21856.01AP B - ANGLE

Ref	Part No	Description	Qty
1	21859.01	RAM BARREL	1
2	21857.01	PISTON ROD	1
3	1090273	HOUSING	1
4	21858.01	PISTON	1
5	8129161	SCRAPER RING	1
6	8629162	SEAL	1
7	8600124	O-RING	1
8	0411234	CIRCLIP	1
9	8629240	PISTON SEAL	1
10	8629241	WEAR RING	1
11	42775.03	DOWEL	1
12	8600120	O RING	1
13	8609124	AE RING	1



7198292AP D - RAM

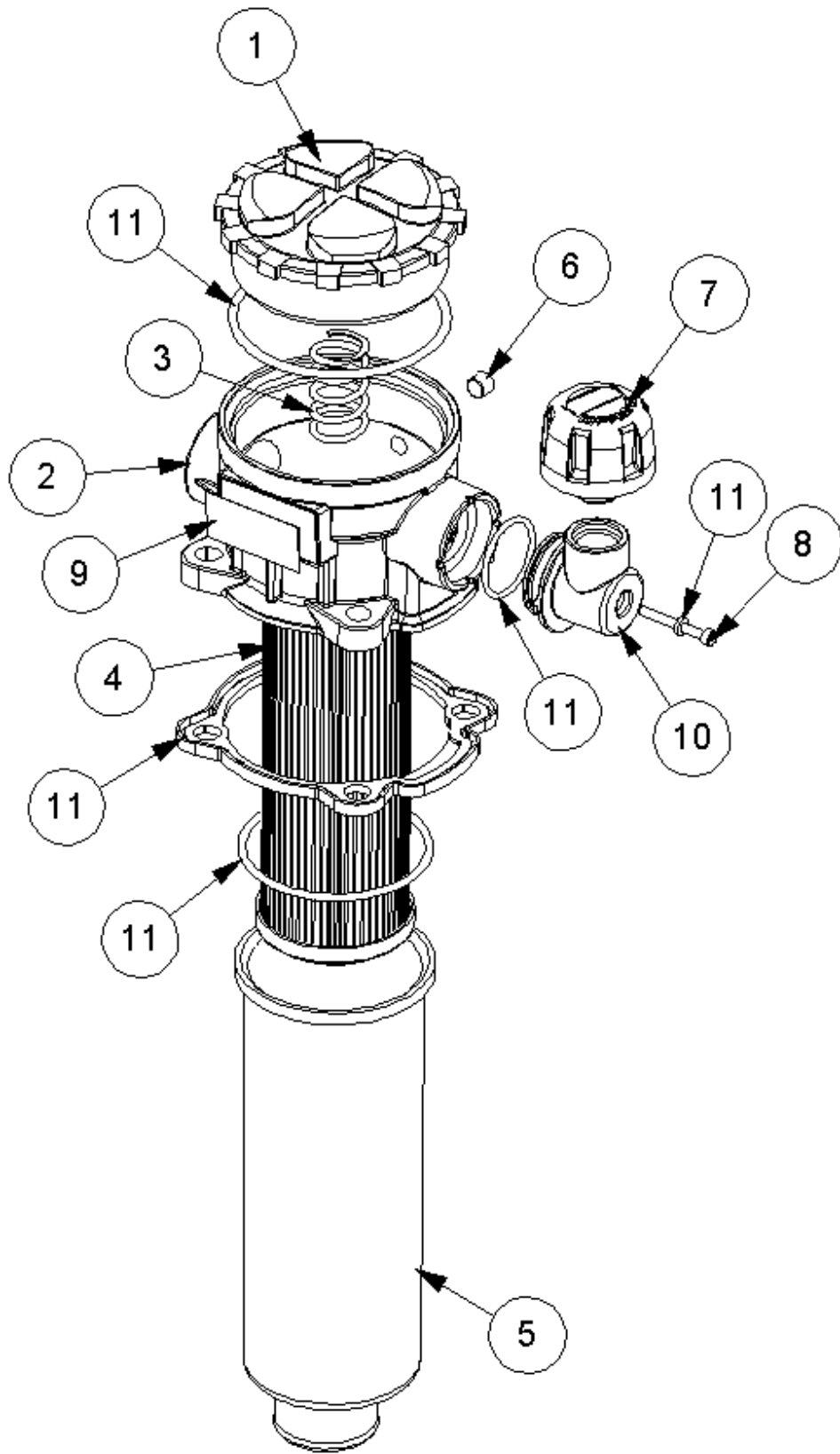
Ref	Part No	Description	Qty
1	7191051	PISTON ROD	1
2	7191051	PISTON ROD	1
3	7191299	PLUG	1
4	8629158	SEAL	1
5	8629152	SEAL	1
6	8600302	"O" RING	1
7	8629273	ROD BEARING	2



7435712 D - TANK MOD.PA3530 RH

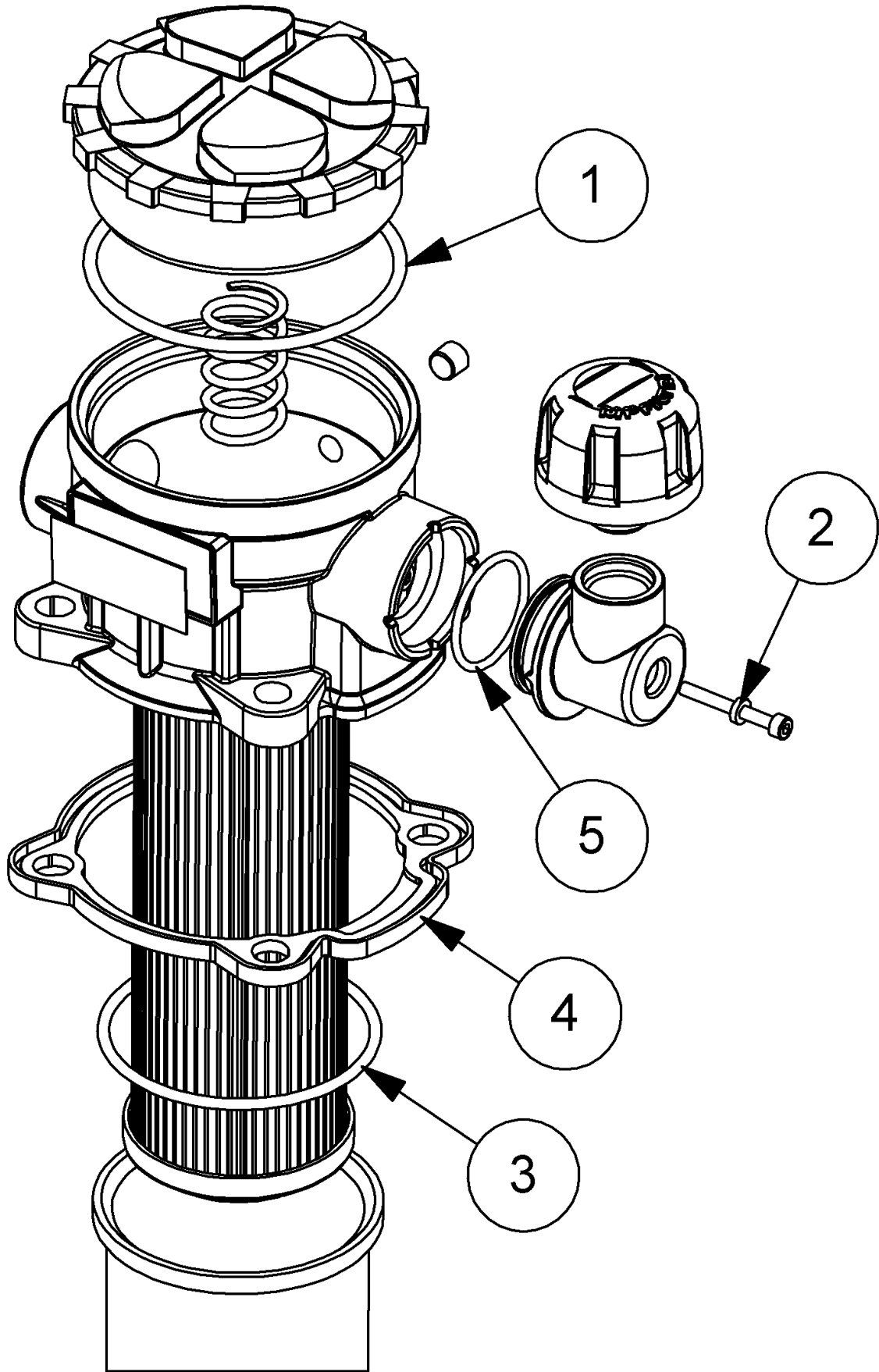
Ref	Part No	Description	Qty
1	41196.11	TANK	1
2	9313065	SCREW	3
3	9163005	NUT	3
5	9163004	NUT	2
6	8401168	FILTER	1
7	8650310	SEAL	4
8	9313054	SCREW	4
9	8650108	SEAL	1
10	8581378	ADAPTOR	1
11	46505.01	HOLDER	1
12	9100105	WASHER	2
13	9100205	WASHER	2
14	9300154	SCREW	2
15	9313043	SCREW	3
16	9100103	WASHER	3
17	9100203	WASHER	3
18	9113003	NUT	3
19	7198035	WASHER	1
20	9343065	CAPSCREW	4

8401168 B - FILTER



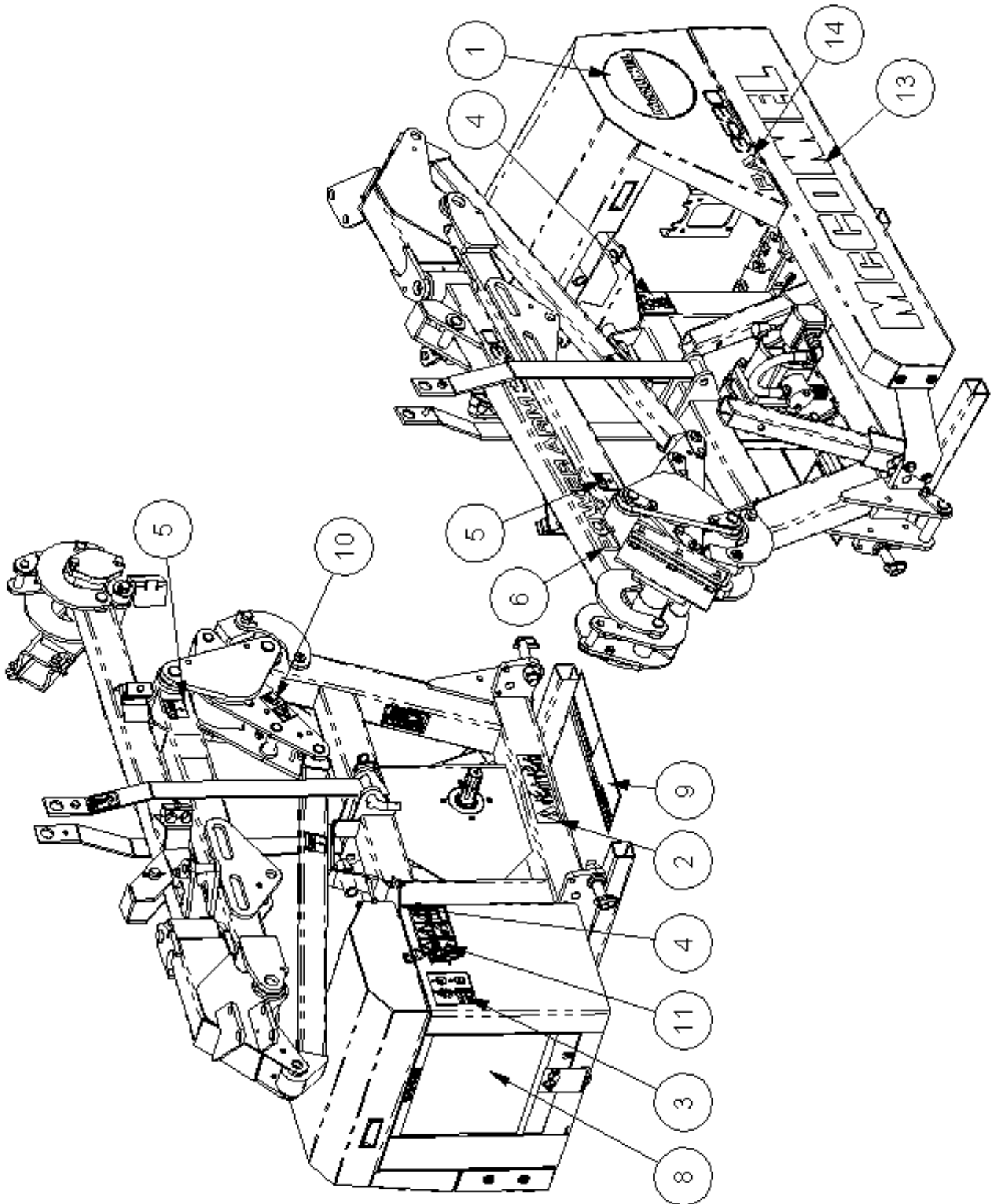
8401168 B - FILTER

Ref	Part No	Description	Qty
1	212.013.04	FILLER CAP	1
2	8401187	HOUSING	1
3	8401158	FILTER SPRING	1
4	8401164	USE 8401095	1
5	8401165	FILTER BOWL	1
6	8401166	FILTER GRUB SCREW	1
7	8401182	BREATHER CAP+FILTER	1
8	8401184	CAP SCREW	1
9	8401167	IDENTIFICATION PLATE	1
10	8401183	ELBOW	1
11	8699294	FILTER SEAL KIT	0



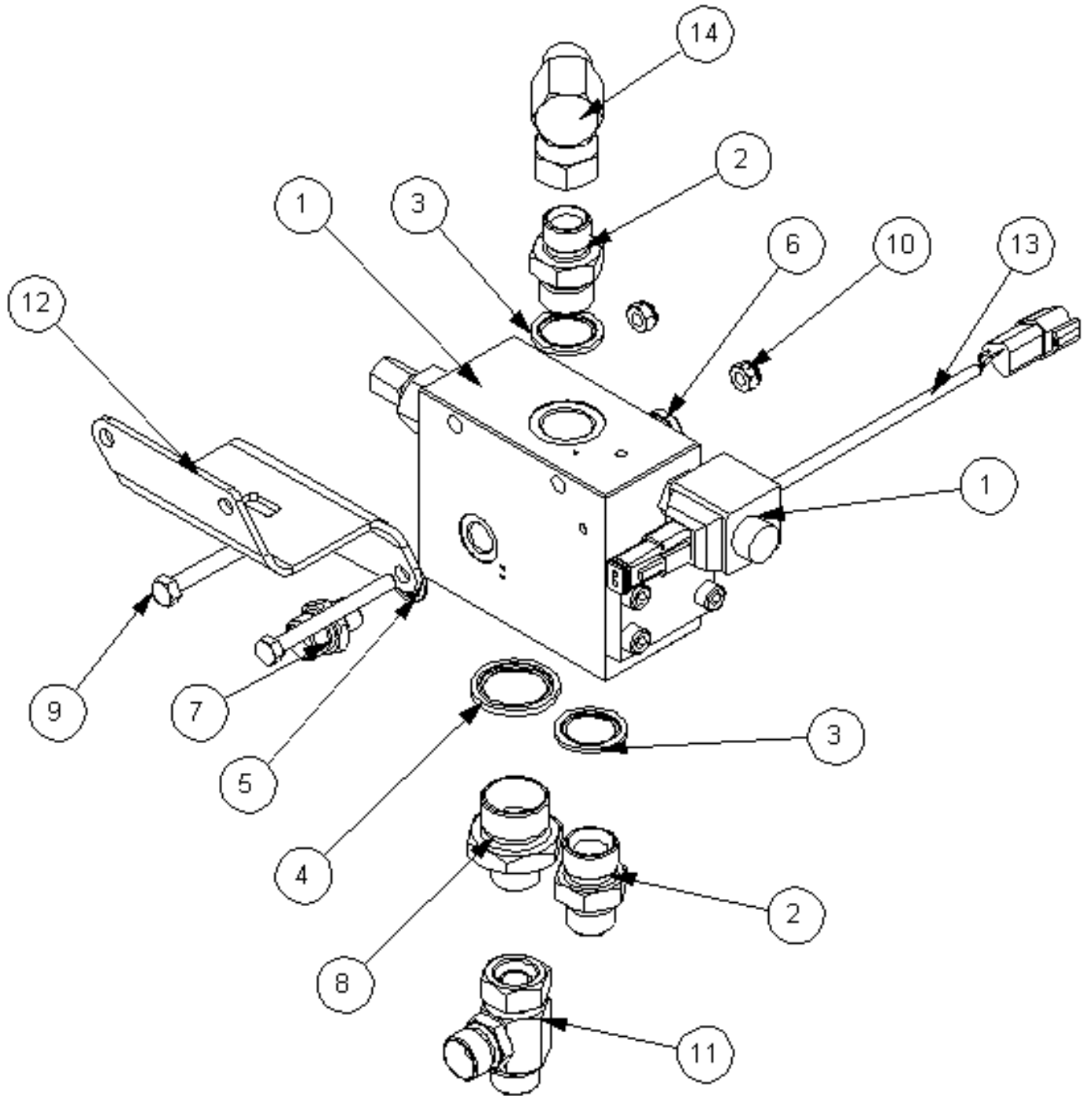
8699294 - FILTER SEAL KIT

Ref	Part No	Description	Qty
1	8700092	O RING	1
2	8401186	CAP SCREW SEAL	1
3	8700235	O RING	1
4	8401188	SEAL NOT AVAILABLE USE 8699294	1
5	8401185	ORING SEAL	1



7435717 C - DECAL KIT

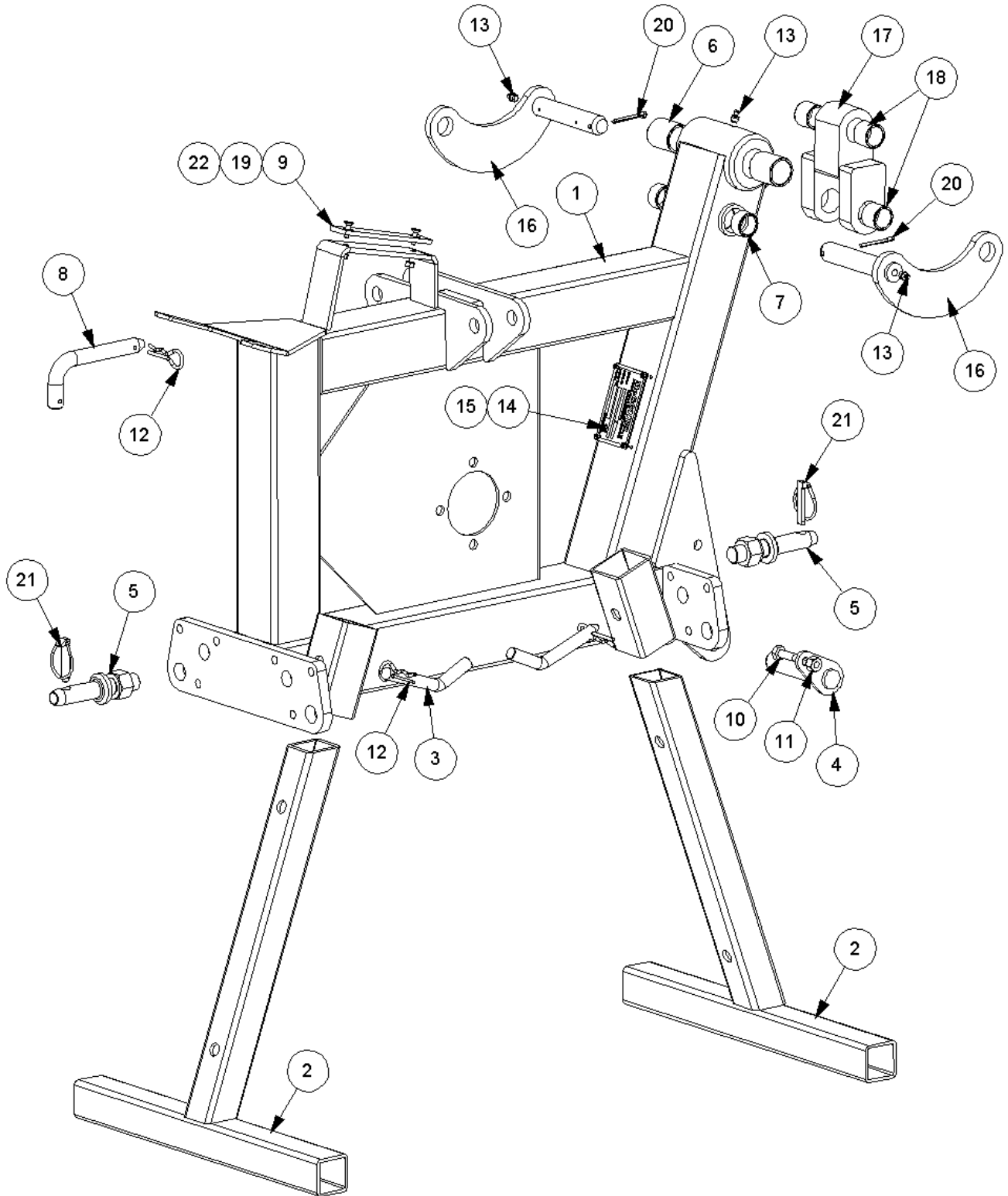
Ref	Part No	Description	Qty
1	1290829	DECAL	1
1	23832.01	DECAL-540 PTO MAX CW	1
2	7135295	DECAL	1
3	1290774	DECAL	1
5	02962764	DECAL	4
6	1290950	DECAL	1
8	1290391	DECAL	1
9	1290352	DECAL	1
10	1290746	DECAL	1
11	09.821.34	DECAL	1
13	1290527	DECAL	1
14	1290951	DECAL	1



7435721 - RCV ASSY ELEC PA3530 LH FM

Ref	Part No	Description	Qty
1	23741.01	RELIEF VALVE / DIVERTER	1
2	8581270	ADAPTOR	2
3	8650106	SEAL	2
4	8650108	SEAL	1
5	8650103	SEAL	1
6	8581436	ADAPTOR	1
7	6000112	ADAPTOR	1
8	8581378	ADAPTOR	1
9	9213164	BOLT	2
10	9163004	NUT	2
11	8581460	ADAPTOR	1
12	21476.05	LH RCV BRACKET	1
13	41844.57	RCV LOOM ON/OFF DT	1
14	8581338	ADAPTOR	1

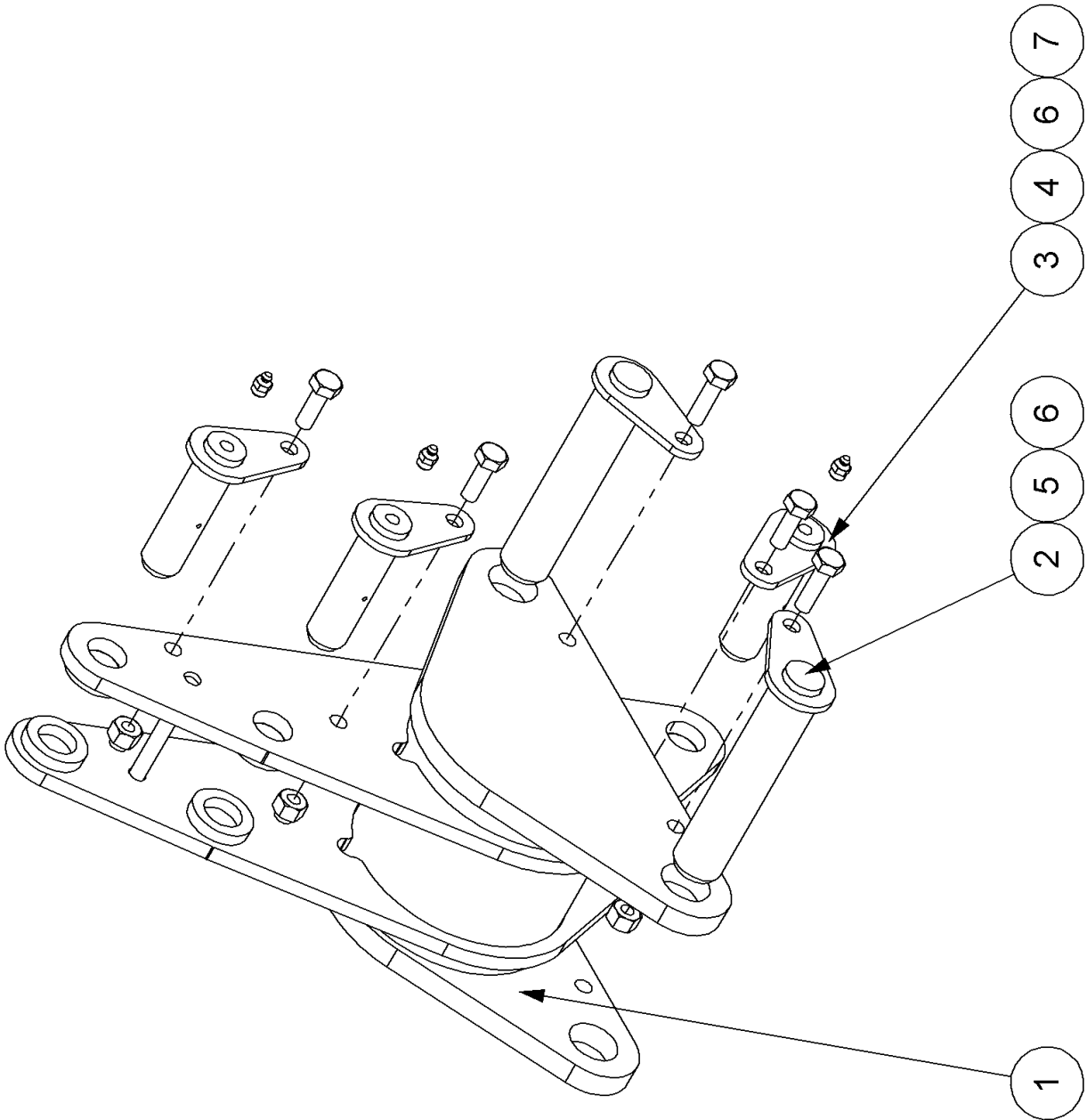
7490601 B - MAIN FRAME MODULE



7490601 B - MAIN FRAME MODULE

Ref	Part No	Description	Qty
1	41197.08	MAINFRAME -LH	1
2	21853.01	STAND	2
3	7192023	PIN	2
4	41267.04	PIN	1
5	21849.01	PIN CAT 1	2
6	21149.01	BUSH	2
7	7214060	BUSH	2
8	7192026	PIN	1
9	43091.03	PAD	1
10	9313065	SCREW	1
11	9163005	NUT	1
12	0431105	PIN	3
13	0901121	GREASER	3
14	1335246	SERIAL No. PLATE	1
15	7103230	RIVET	4
16	21851.01	RADIUS ARM	2
17	21850.01	SLAVE LINK	1
18	7101083	BUSH	4
19	9353043	SCREW	2
20	9501406	PIN	2
21	0431217	LINCH PIN	2
22	9163003	NUT	2

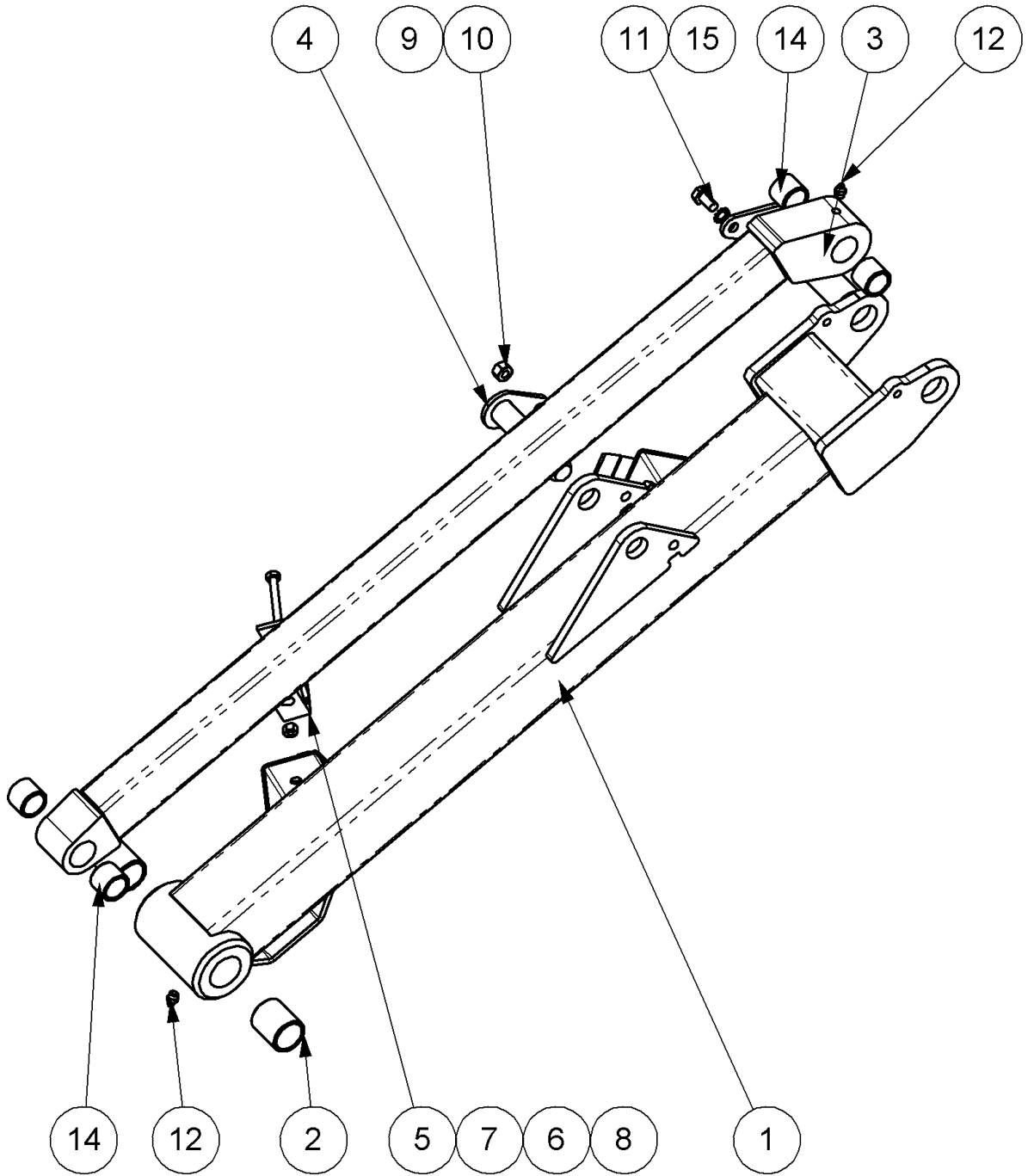
7490602 C - ROCKER MODULE



7490602 C - ROCKER MODULE

Ref	Part No	Description	Qty
1	41198.04	ROCKER W.A	1
2	41268.01	PIN	2
3	41691.03	PIN	3
4	9313065	SCREW	3
5	9313075	SCREW	2
6	9163005	NUT	5
7	0901121	GREASER	3

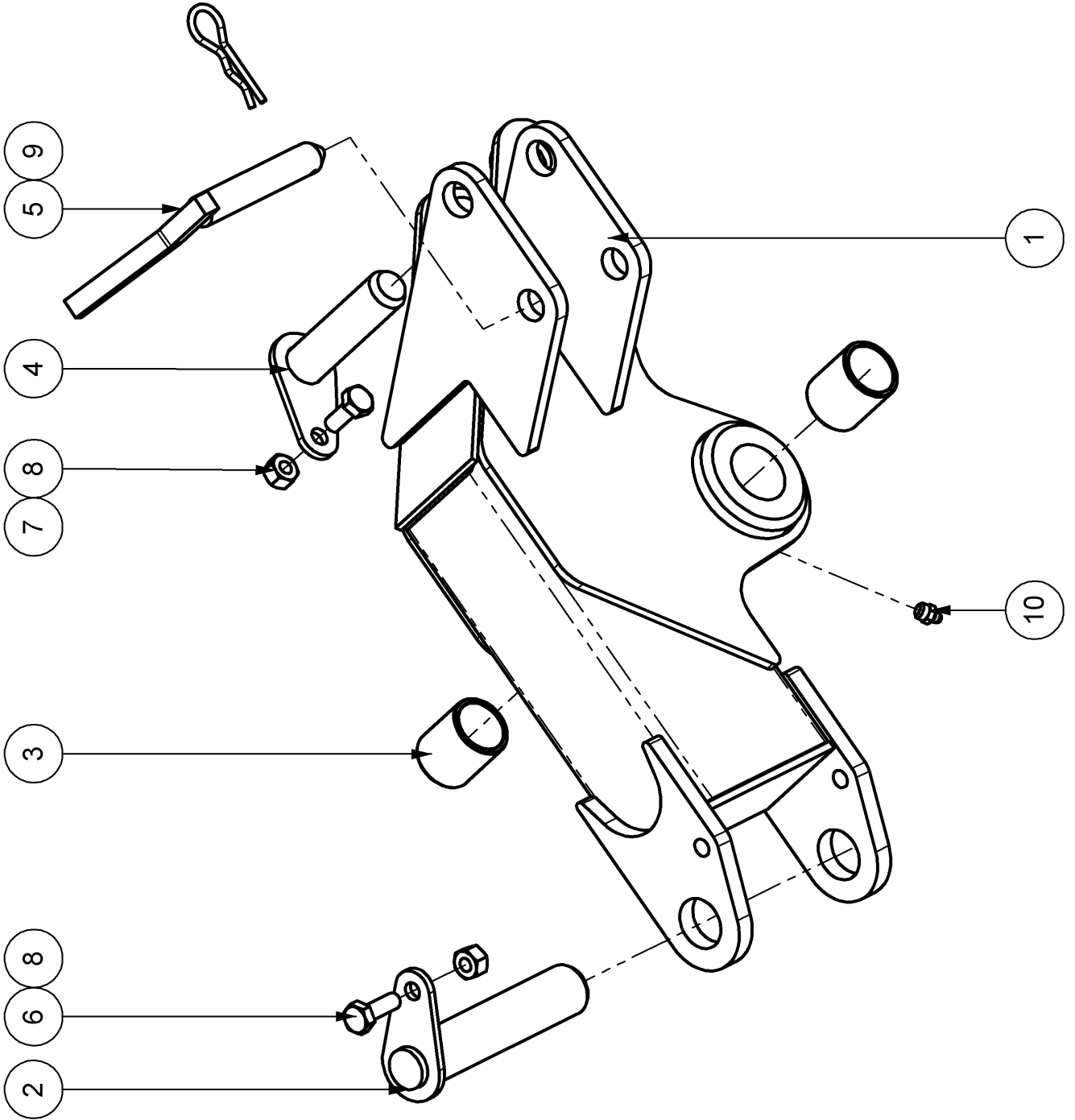
7490604 B - MAIN ARM MODULE



7490604 B - MAIN ARM MODULE

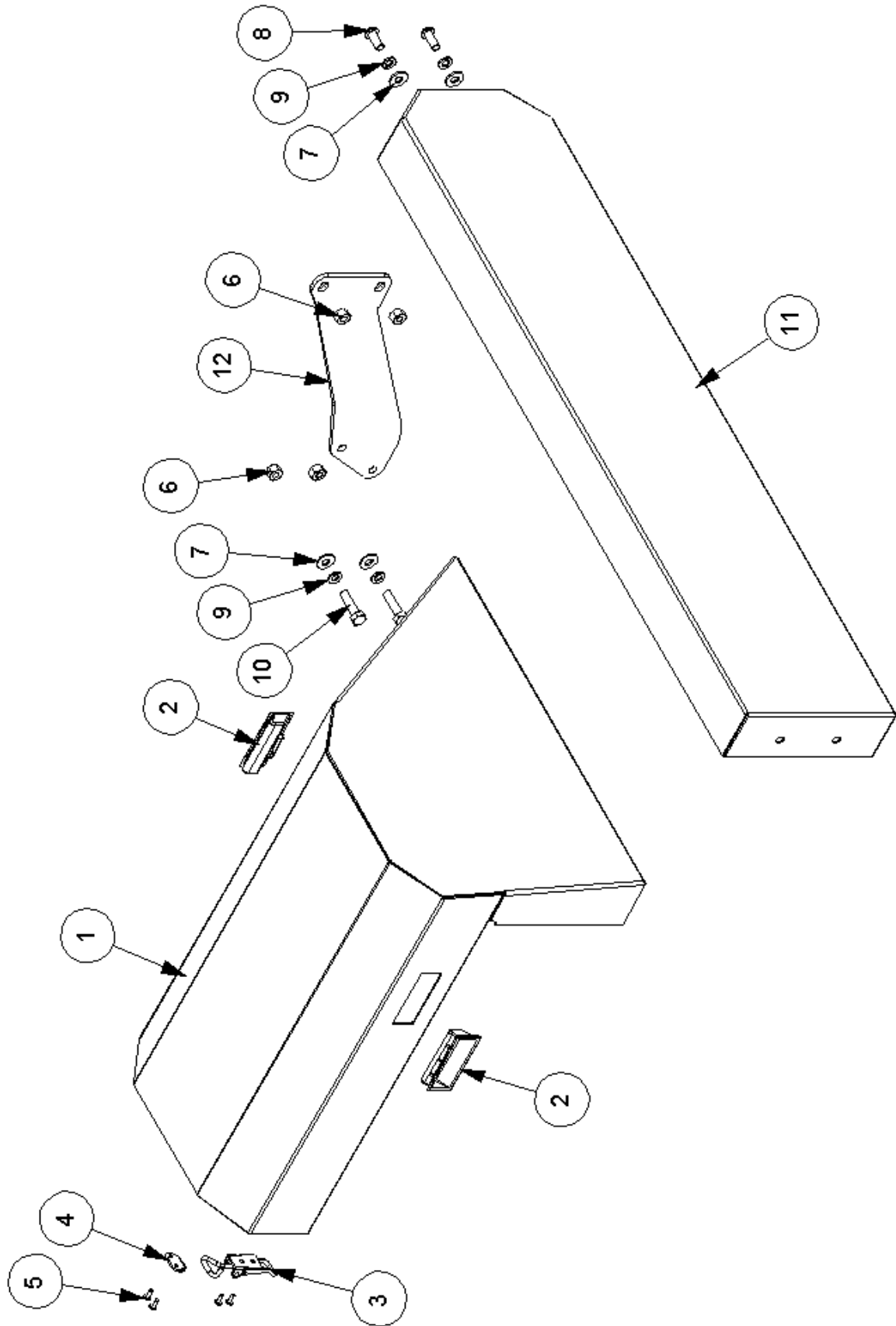
Ref	Part No	Description	Qty
1	41199.08	PA35 BOBCAT MAINARM	1
2	21149.01	BUSH	2
3	41268.01	PIN	1
4	41267.04	PIN	1
5	06.430.09	CLAMP (2 PCS)	2
6	06.418.03	PLATE	2
7	9213134	BOLT	2
8	9163004	NUT	2
9	9313065	SCREW	1
10	9163005	NUT	1
11	9313045	SCREW	1
12	0901121	GREASER	2
13	41200.03	TENSION LINK	1
14	7101083	BUSH	4
15	9100405	WASHER	1

7490606 B - DIPPER MODULE



7490606 B - DIPPER MODULE

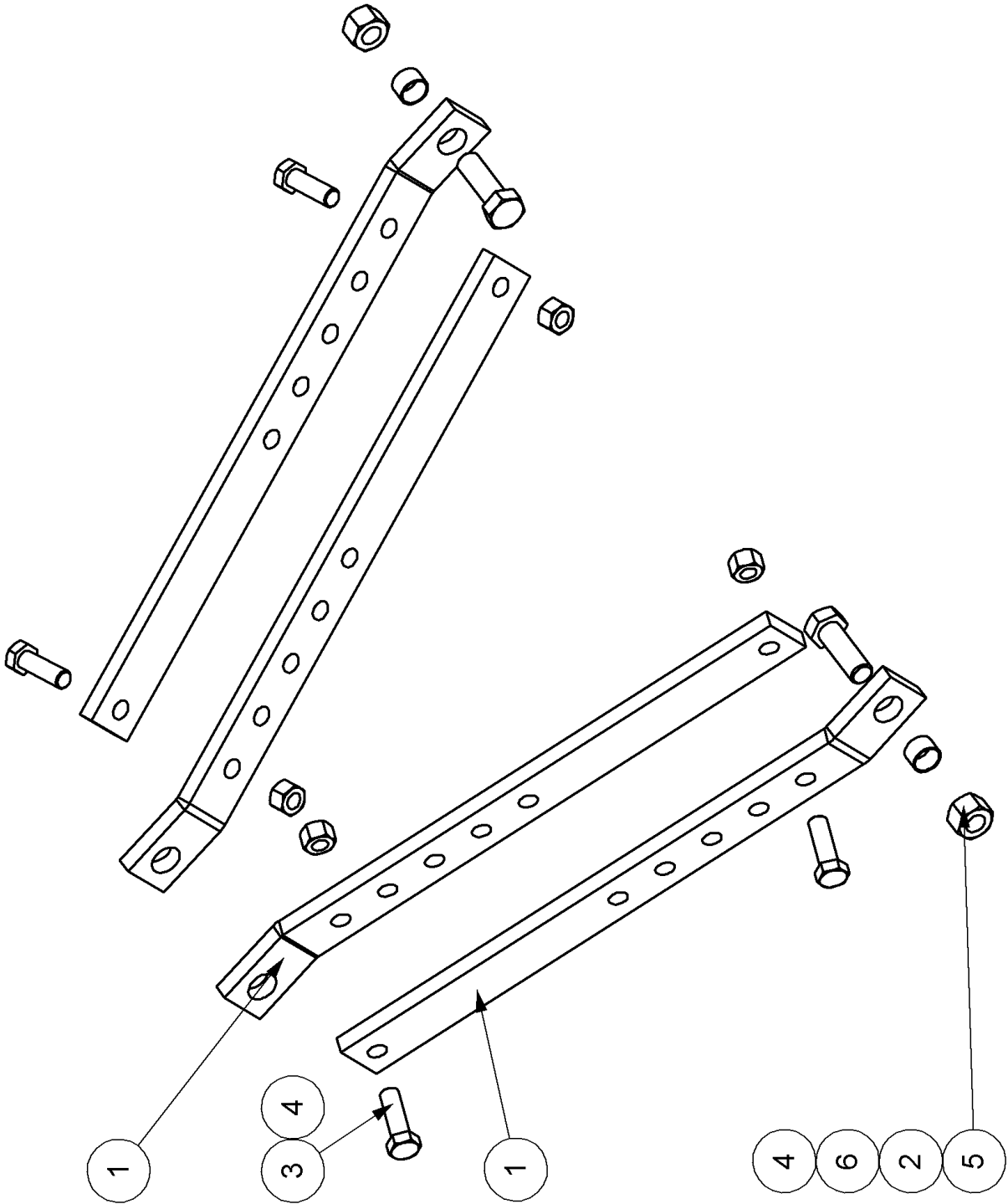
Ref	Part No	Description	Qty
1	41201.06	DIPPER W/A	1
2	41268.03	PIN W/A	1
3	21149.01	BUSH	2
4	41267.03	PIN	1
5	7191036	PIN	1
6	9313065	SCREW	1
7	9313055	SCREW	1
8	9163005	NUT	2
9	0431105	PIN	1
10	0901121	GREASER	1



7490642 - COVERS MODULE

Ref	Part No	Description	Qty
1	22661.01	W/ASSY RH COVER	1
2	22547.01	DRAWER PULL	2
3	43449.02	FASTENER	1
4	46007.01	HOOK	1
5	1069088	RIVET	4
6	9163005	NUT	4
7	9100105	WASHER	4
8	9300154	SCREW	2
9	9100205	WASHER	4
10	9313085	SCREW	2
11	22661.35	COVER PLATE	1
12	22661.41	SUPPORT PLATE	1

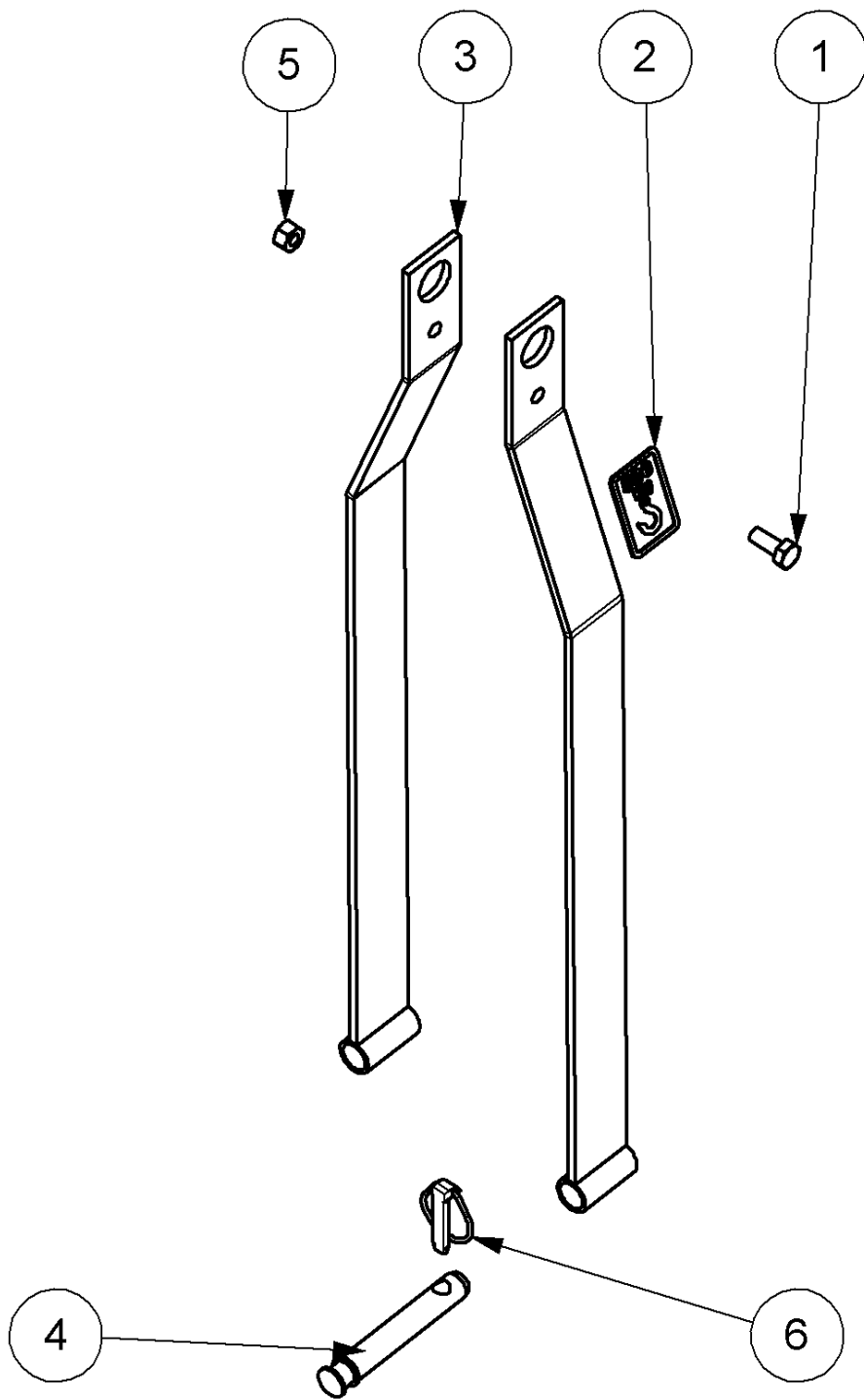
7490769 D - STABILIZER MODULE



7490769 D - STABILIZER MODULE

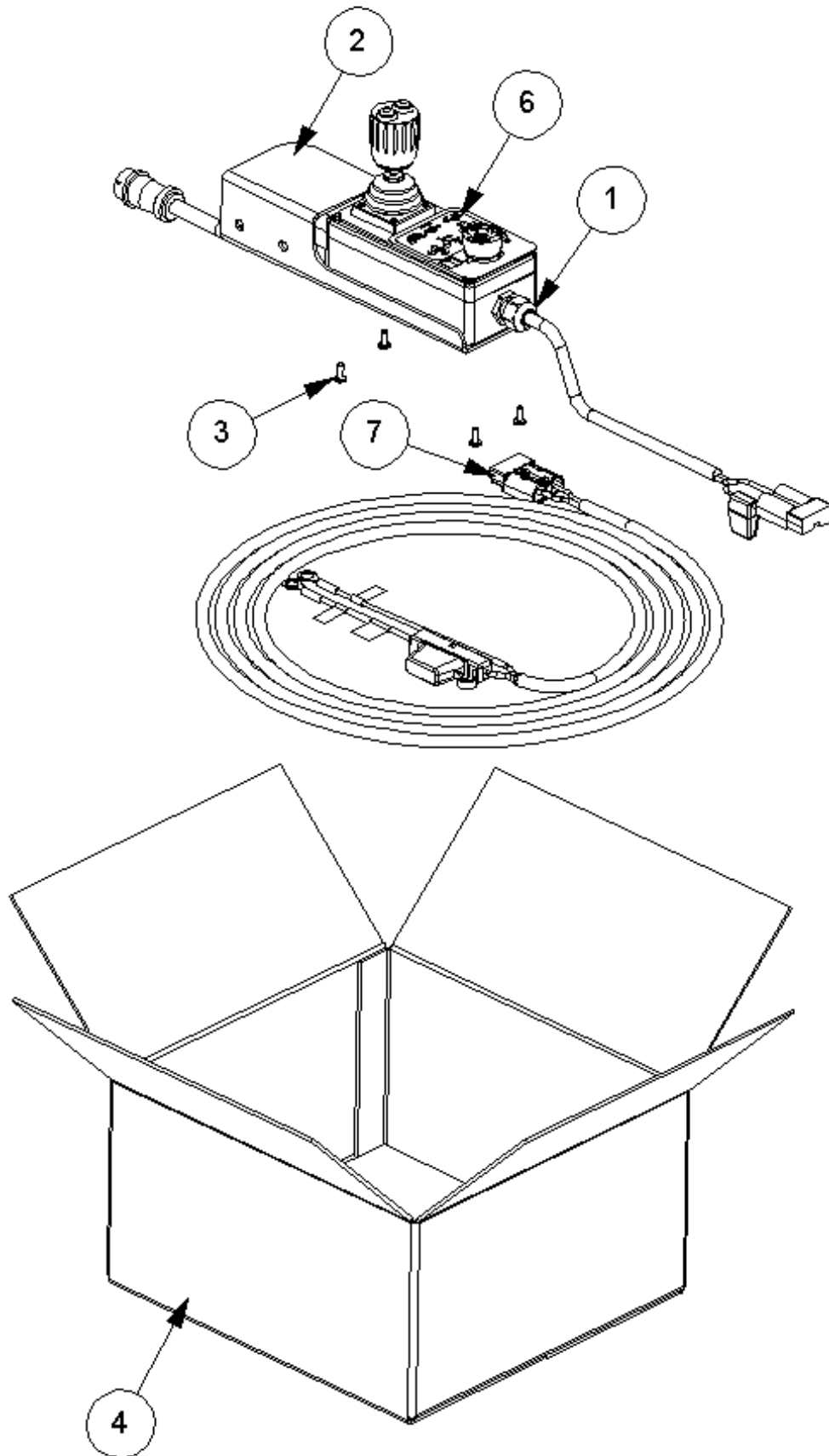
Ref	Part No	Description	Qty
1	42366.04	STABILIZER	4
2	21914.01	SPACER	2
3	9213107	BOLT	4
4	9163007	NUT	4
5	9163008	NUT	2
6	9213128	BOLT	2

7490799 D - PACKING MODULE



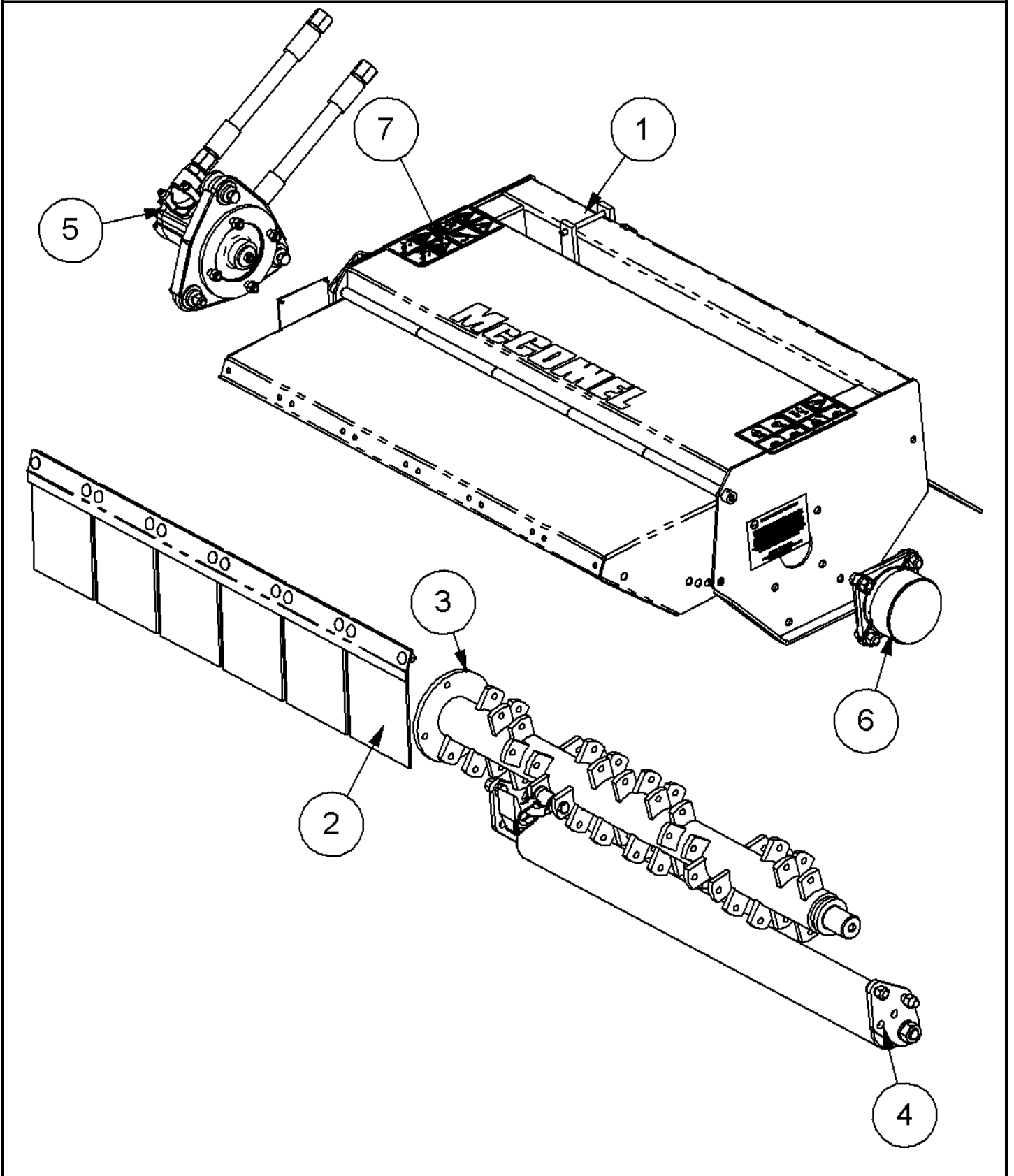
7490799 D - PACKING MODULE

Ref	Part No	Description	Qty
1	9313055	SCREW	1
2	09.843.03	DECAL	1
3	22025.01	LIFT STRAP PA35	2
4	T1657	PIN - LINKAGE	1
5	9163005	NUT	1
6	0431217	LINCH PIN	1



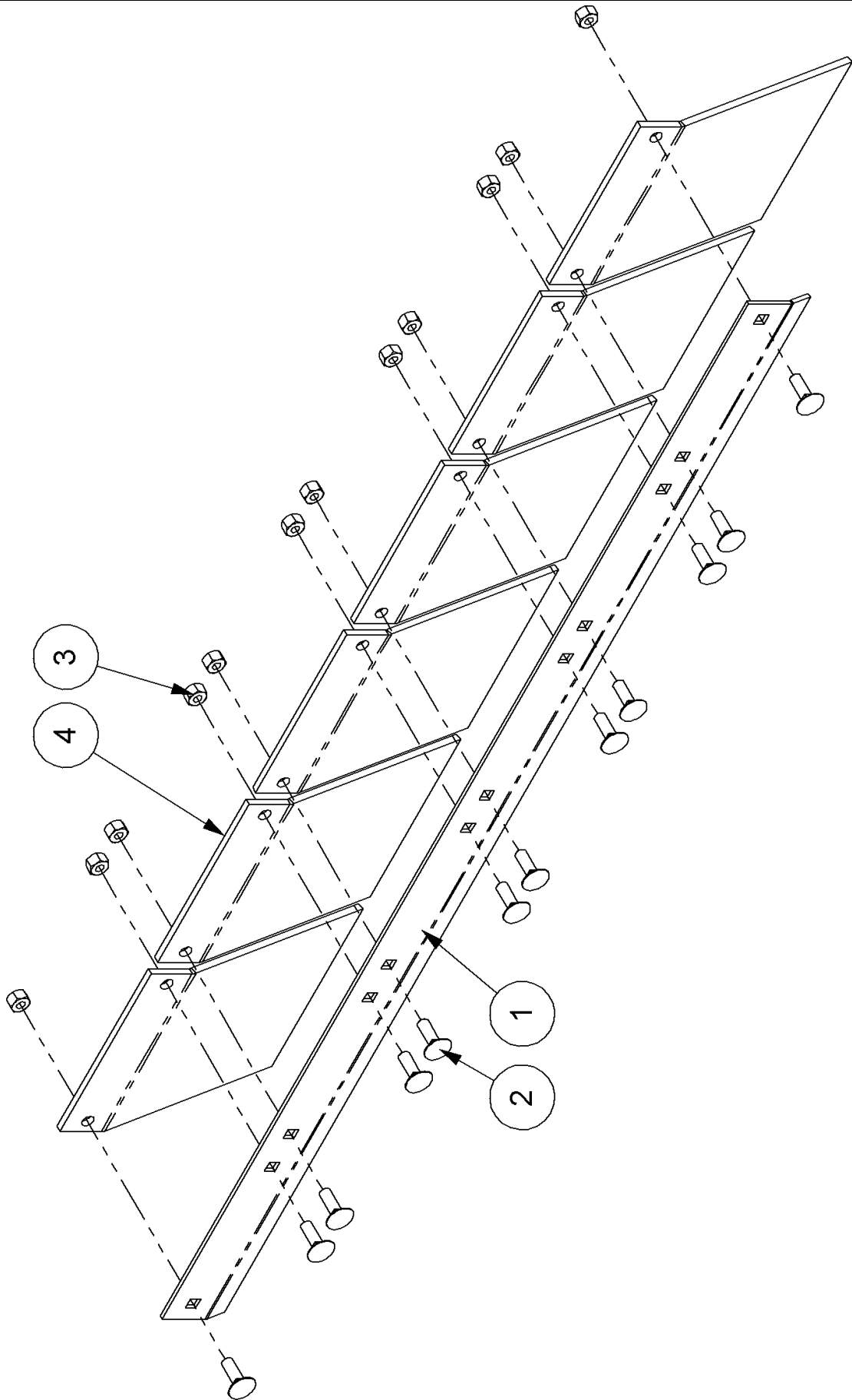
8402919 B - MINI XTC KIT

Ref	Part No	Description	Qty
1	23880.11	MINI CONTROLS	1
2	42442.04	MINI MOTION CONTROLS BRACKET	1
3	2800243	SCREW	4
4	8402701	BOX	1
5	1290717	DECAL	1
6	1291169	OPERATIONAL DECAL	1
7	8402237	LOOM	1



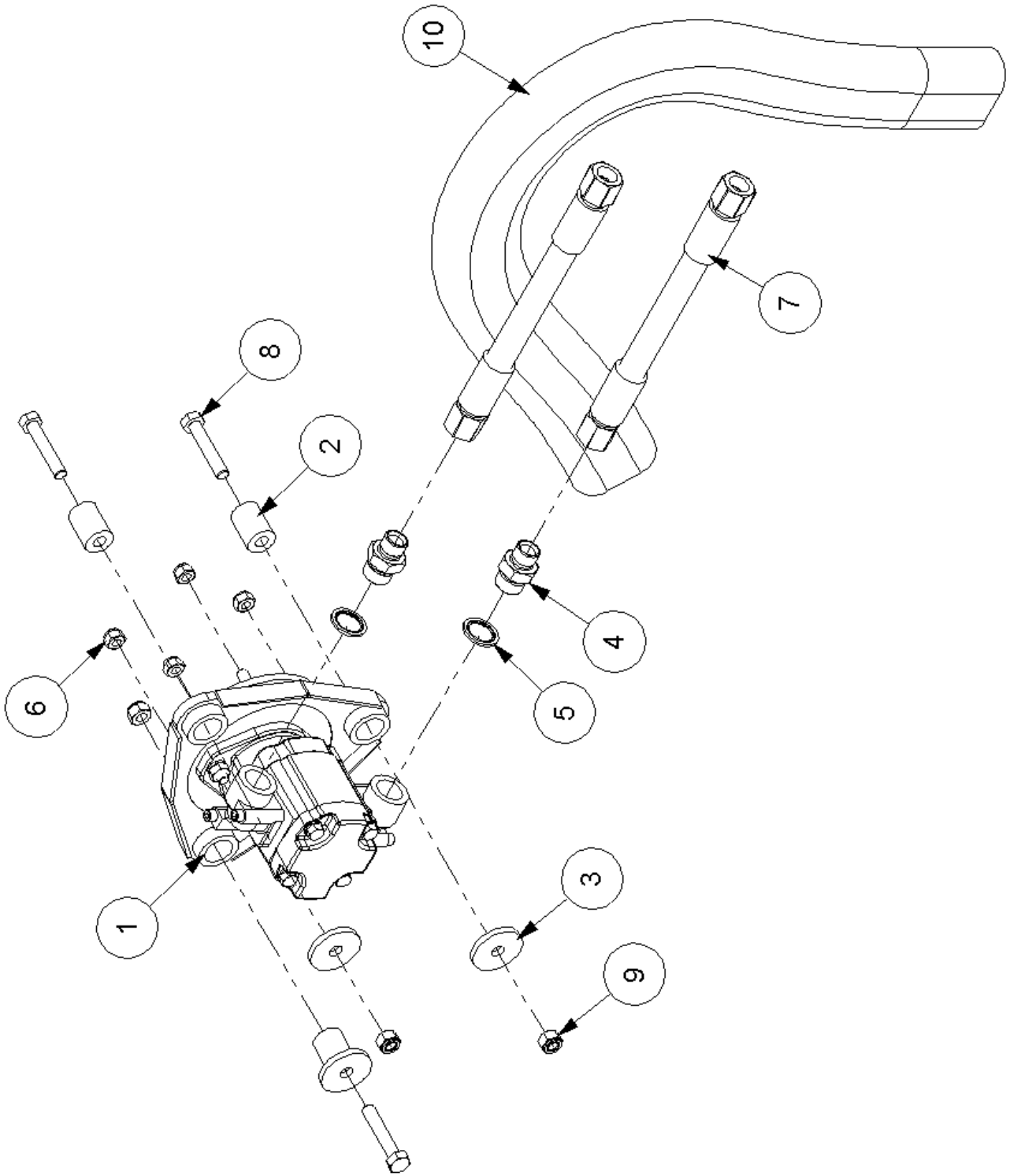
7490863 - 0.9M (SLIDING PIVOT) -

Ref	Part No	Description	Qty
1	22494.29	CASING MODULE	1
2	21541.22	FLAP MODULE	1
3	21959.08	ROTOR MODULE	1
4	21961.03	ROLLER MODULE	1
5	22495.32	MOTOR MODULE	1
6	22498.08	DRIVE MODULE	1
7	7350710	STICKER MODULE	1



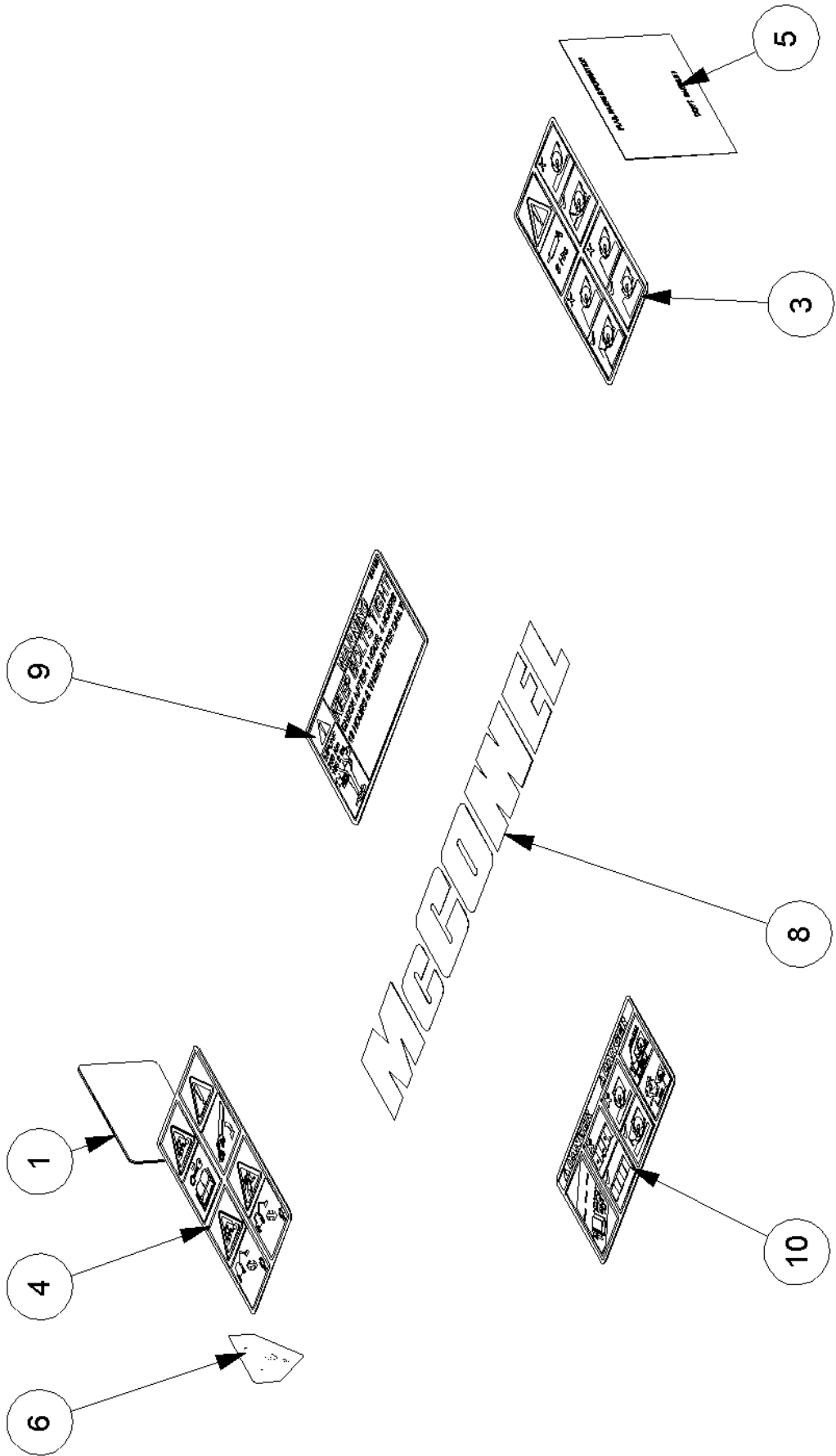
21541.22 - FLAP MODULE

Ref	Part No	Description	Qty
1	41291.01	CLAMP STRIP -F	1
2	9293054	BOLT	12
3	9163004	NUT	12
4	41296.01	FLAP	6



22495.32 D - MOTOR MODULE

Ref	Part No	Description	Qty
1	42603.02	MOTOR & MTG	1
2	03.871.01	BUSH	3
3	02.824.01	WASHER	3
4	8581270	ADAPTOR	2
5	8650106	SEAL	2
6	05.968.02	NUT	4
7	10.007.30	HOSE	2
8	9213136	BOLT	3
9	9163006	NUT	3
10	22590.26	HOSE SLEEVING	1



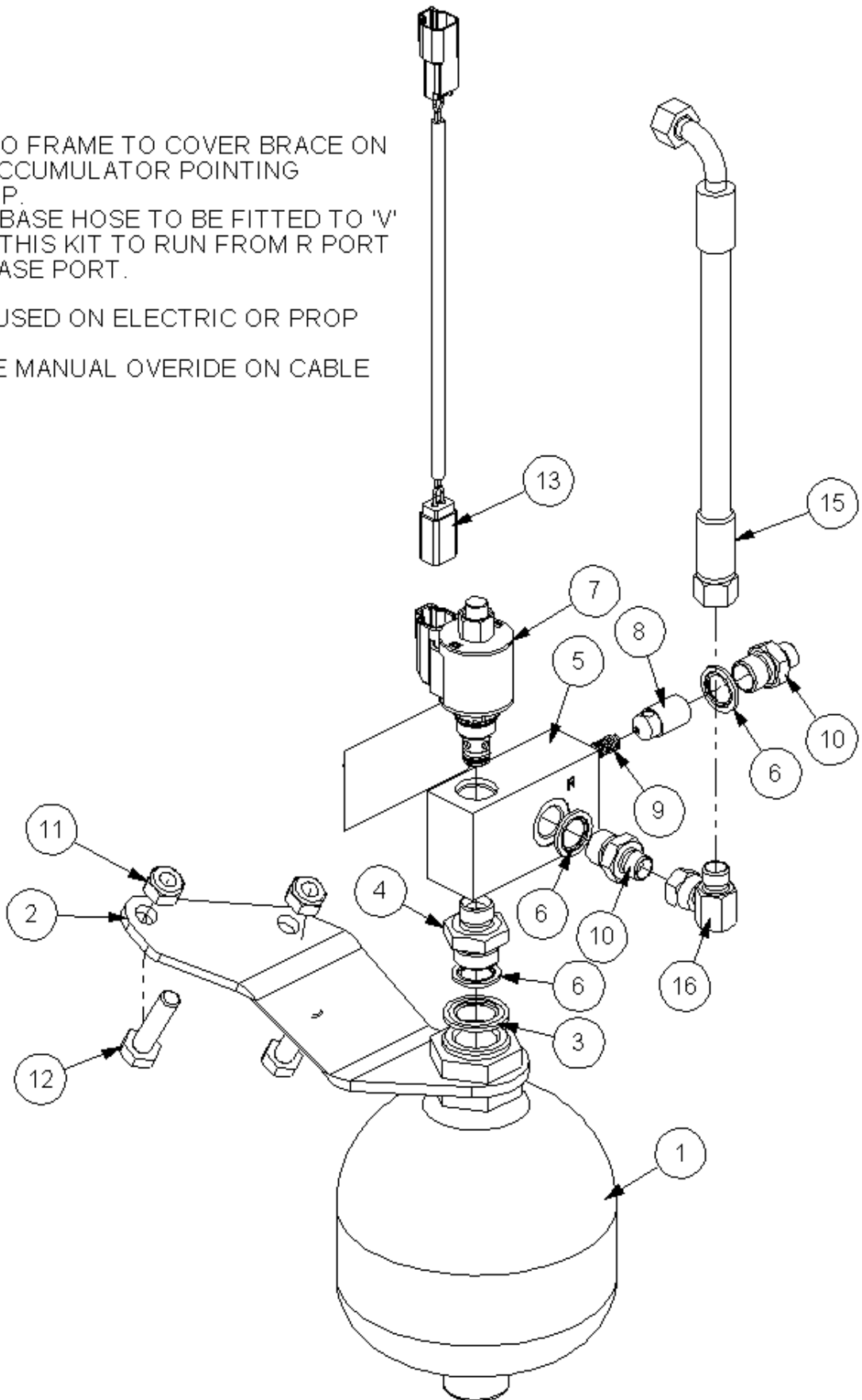
7350710 E - STICKER MODULE

Ref	Part No	Description	Qty
1	41.094.18	SERIAL PLATE McCONNEL	1
3	1290738	DECAL	1
4	09.821.35	DECAL	1
5	1290392	DECAL	1
6	09.810.01	DECAL	1
8	1290255	DECAL	1
9	1291045	DECAL	1
10	1291231	DECAL	1

8126373 B - LIFT FLOAT KIT DT CONNECTOR

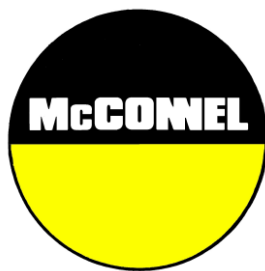
FIT BRACKET TO FRAME TO COVER BRACE ON
FRAME WITH ACCUMULATOR POINTING
TOWARDS PUMP.
EXISTING LIFT BASE HOSE TO BE FITTED TO 'V'
PORT HOSE IN THIS KIT TO RUN FROM R PORT
TO LIFT RAM BASE PORT.

ITEM 13 ONLY USED ON ELECTRIC OR PROP
CONTROL
MACHINES, USE MANUAL OVERRIDE ON CABLE
MACHINES.



8126373 B - LIFT FLOAT KIT DT CONNECTOR

Ref	Part No	Description	Qty
1	8126042	ACCUMULATOR	1
2	21924.01	BRKT	1
3	8650322	SEAL	1
4	G2410380	ADAPTOR	1
5	8126287	BLOCK	1
6	8650103	SEAL	3
7	8130223	NC POPPET VALVE	1
8130223 - NC POPPET VALVE			
Ref	Part No	Description	Qty
1	8130220	COIL FOR 8130223	1
2	8130221	VALVE FOR 8130223	1
3	8130222	COIL RETAINING NUT FOR 8130223	1
8	8126037	PISTON	1
9	8116011	SPRING	1
10	8581115	ADAPTOR	2
11	9143005	NUT	2
12	9213085	BOLT	2
13	41844.54	ANGLE FLOAT LOOM 2M DT CONNECT	1
14	1290061	DECAL	1
15	10.002.11	HOSE	1
16	8581190	ADAPTOR	1



McConnel Limited, Temeside Works, Ludlow, Shropshire SY8 1JL. England.
Telephone: 01584 873131. Facsimile: 01584 876463. www.mcconnel.com