

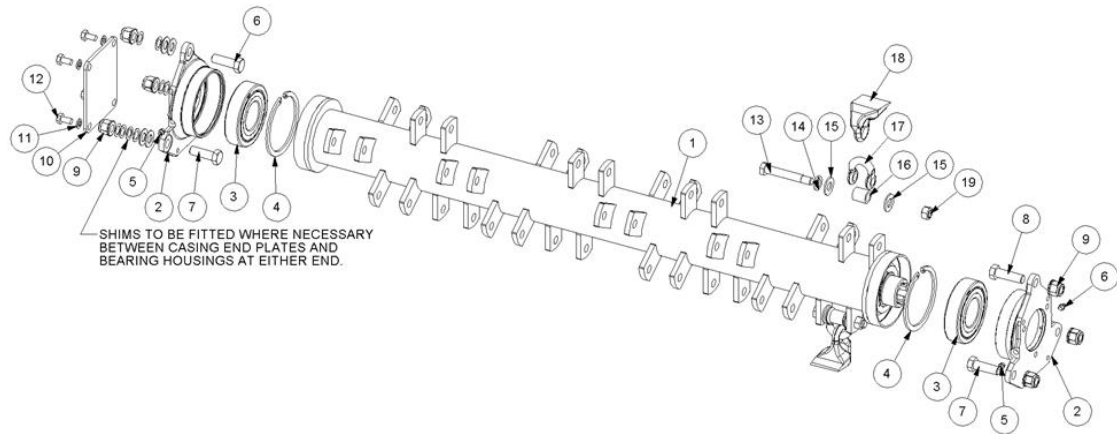
PARTS MANUAL

FOR

SERIAL NO: M2272070

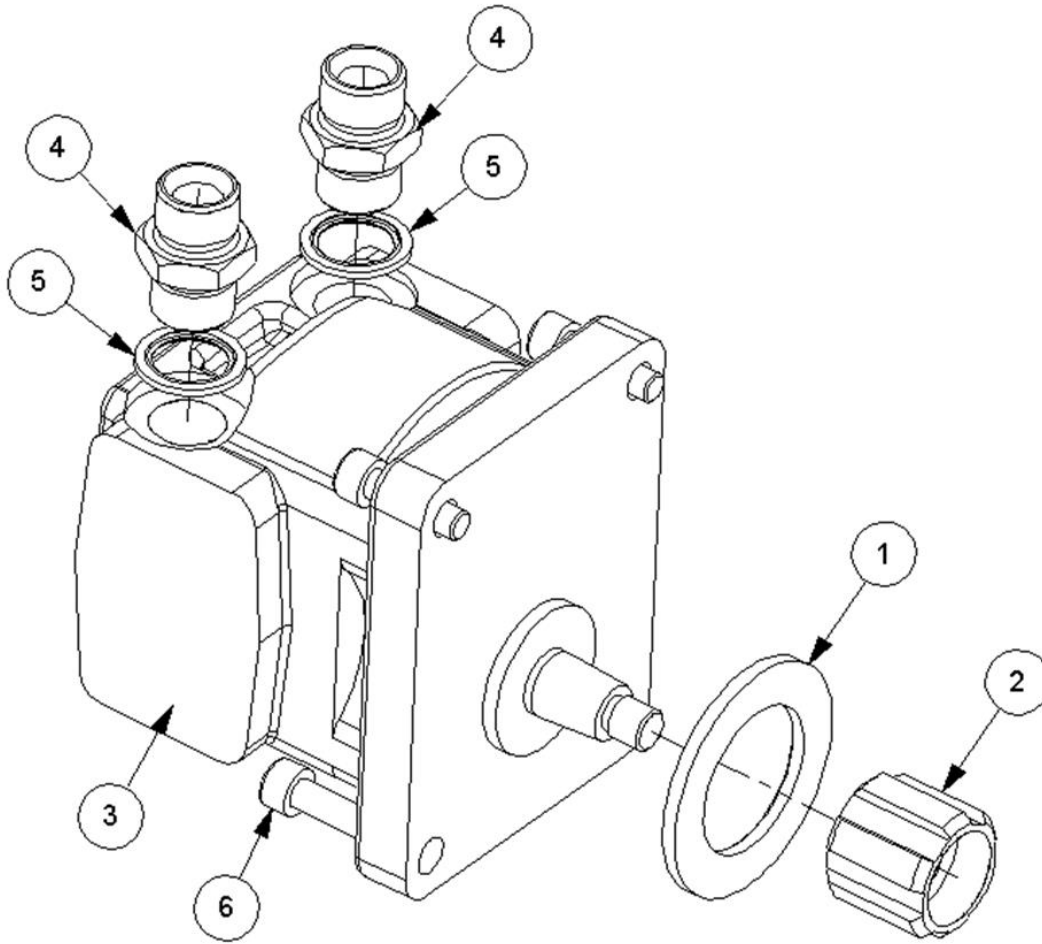
PRINTED ON 30 JAN 2023

21959.06 - ROTOR MODULE



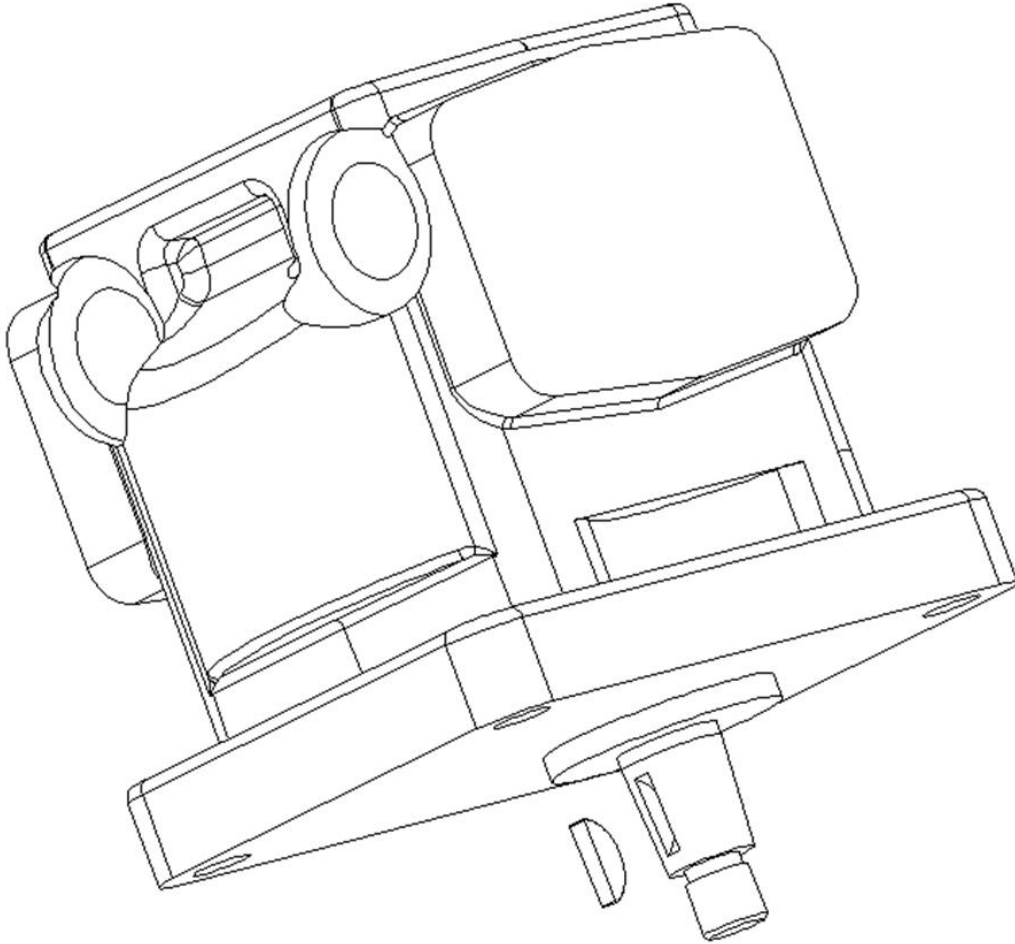
Ref	Part No	Description	QTY
1	7198346	NOT FOR SALE USE 7198346WB	1
2	7190261	BEARING HOUSING	2
3	0600018	BEARING - ROTOR	2
4	7190022	CIRCLIP	2
5	0901121	GREASER	2
6	0901125	GREASER	2
7	9200025	BOLT	5
8	9200023	BOLT	1
9	9100024	NUT	6
10	7190444	PLATE	1
11	9100205	WASHER	4
12	9313045	SCREW	4
13	05.775.10	BOLT	24
14	9100207	WASHER	24
15	05.281.04	WASHER	48
16	02.807.01	SPACER	24
17	05.895.01	SHACKLE	24
18	7190462	FLAIL - UNIVERSAL BOOT	24
19	05.968.06	NUT	24
20	7191098	SHIM	3
21	7191099	SHIM	3
22	8121043	SPACER	5
23	8121044	SPACER	5

21965.01 - MOTOR MODULE



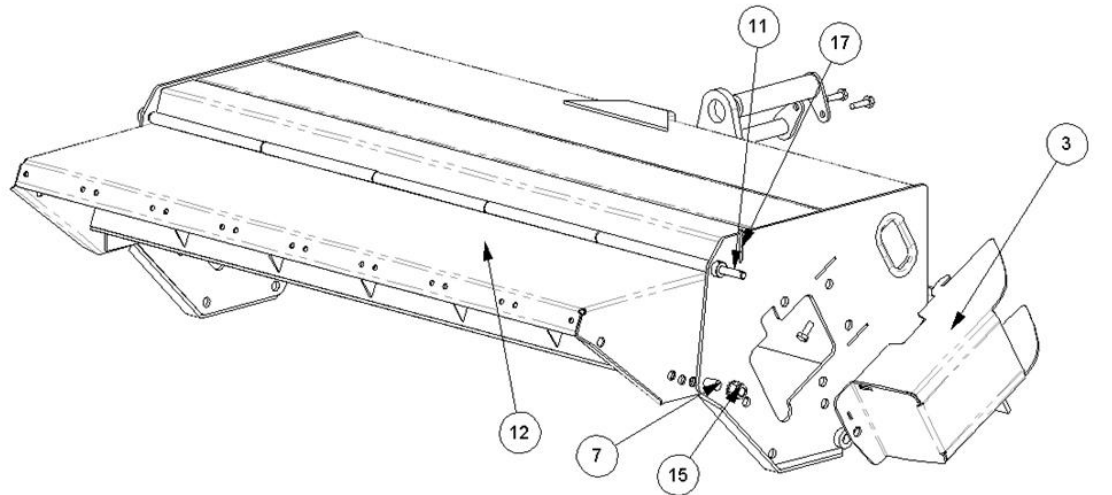
Ref	Part No	Description	QTY
1	7190015	WASHER	1
2	7190573	USE 7190580/549	1
3	8301303	MOTOR	1
4	8581136	ADAPTOR	2
5	8650106	SEAL	2
6	9300144	SCREW	4

8301303 - MOTOR



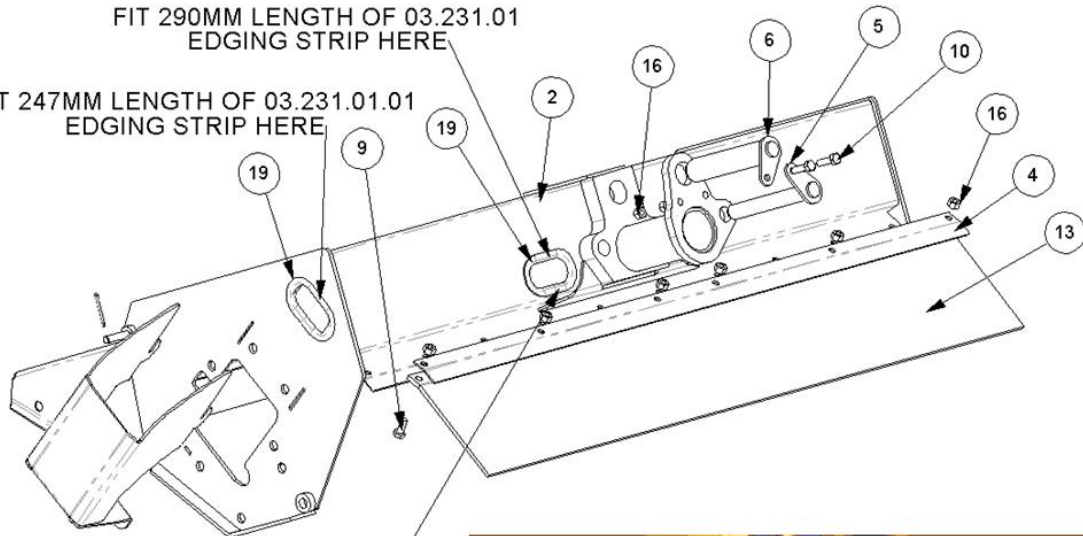
Ref	Part No	Description	QTY
1	9100015	NUT	1
2	8301010	KEY	1
3	8629209	SEAL	2
4	8699236	SEAL KIT	1

21969.04 - CASING & HOOD MOD



FIT 290MM LENGTH OF 03.231.01 EDGING STRIP HERE

FIT 247MM LENGTH OF 03.231.01.01 EDGING STRIP HERE



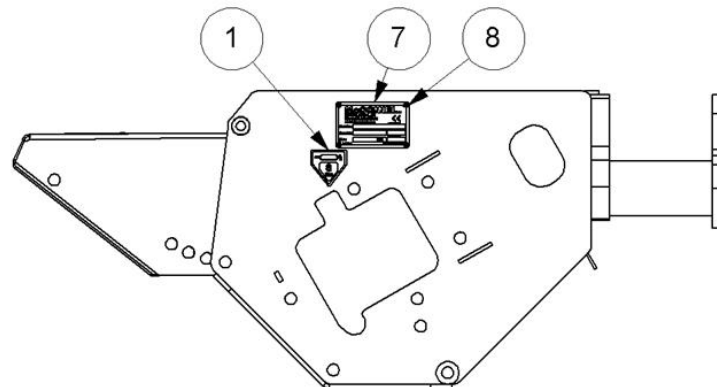
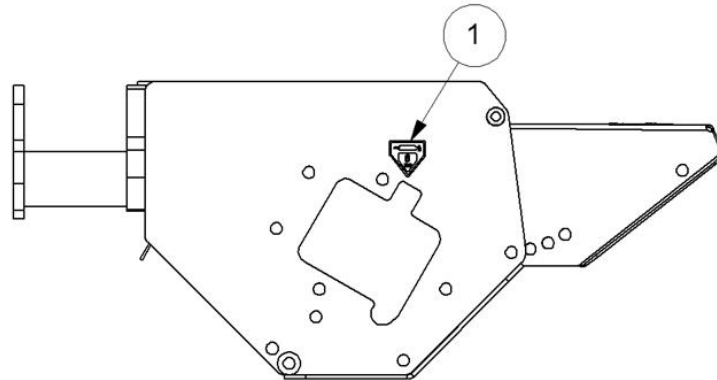
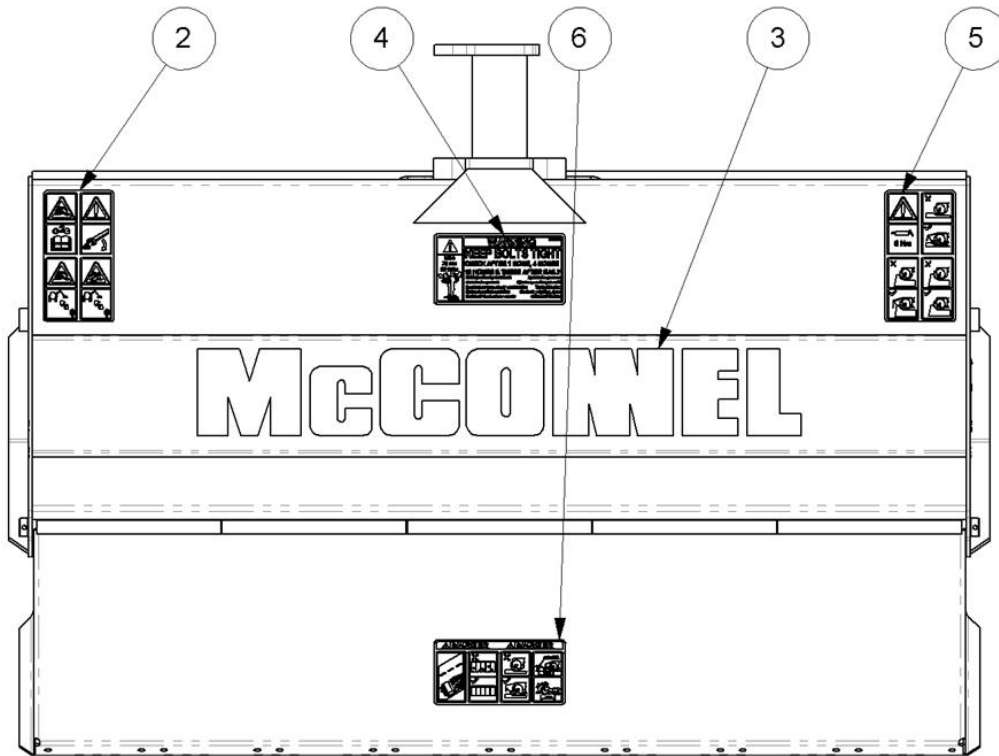
RUN FLAIL HOSES FROM ARM THROUGH 1.0M LENGTH OF 00900913 SLEEVING BEFORE FITTING THROUGH CUTOUT IN CASING. SECURE SLEEVING AT EACH END WITH 7196045 HOSE TIES.



Ref	Part No	Description	QTY
2	22459.02	CASING	1
3	21966.01	COVER	1
4	21968.02	CLAMP STRIP	1
5	21970.01	PIN	1
6	21971.01	PIN	1
7	30.073.25	BOLT	2
9	9313055	SCREW	6

Ref	Part No	Description	QTY
10	9313075	SCREW	2
11	7191116	PIN	1
12	7191352	FRONT HOOD	1
13	7191361	FLAP	1
15	9100024	NUT	2
16	9163005	NUT	8
17	9501406	PIN	1
19	03.231.17	RUBBER EDGE MOULDING 537mm	1

21978.01 - STICKER MODULE

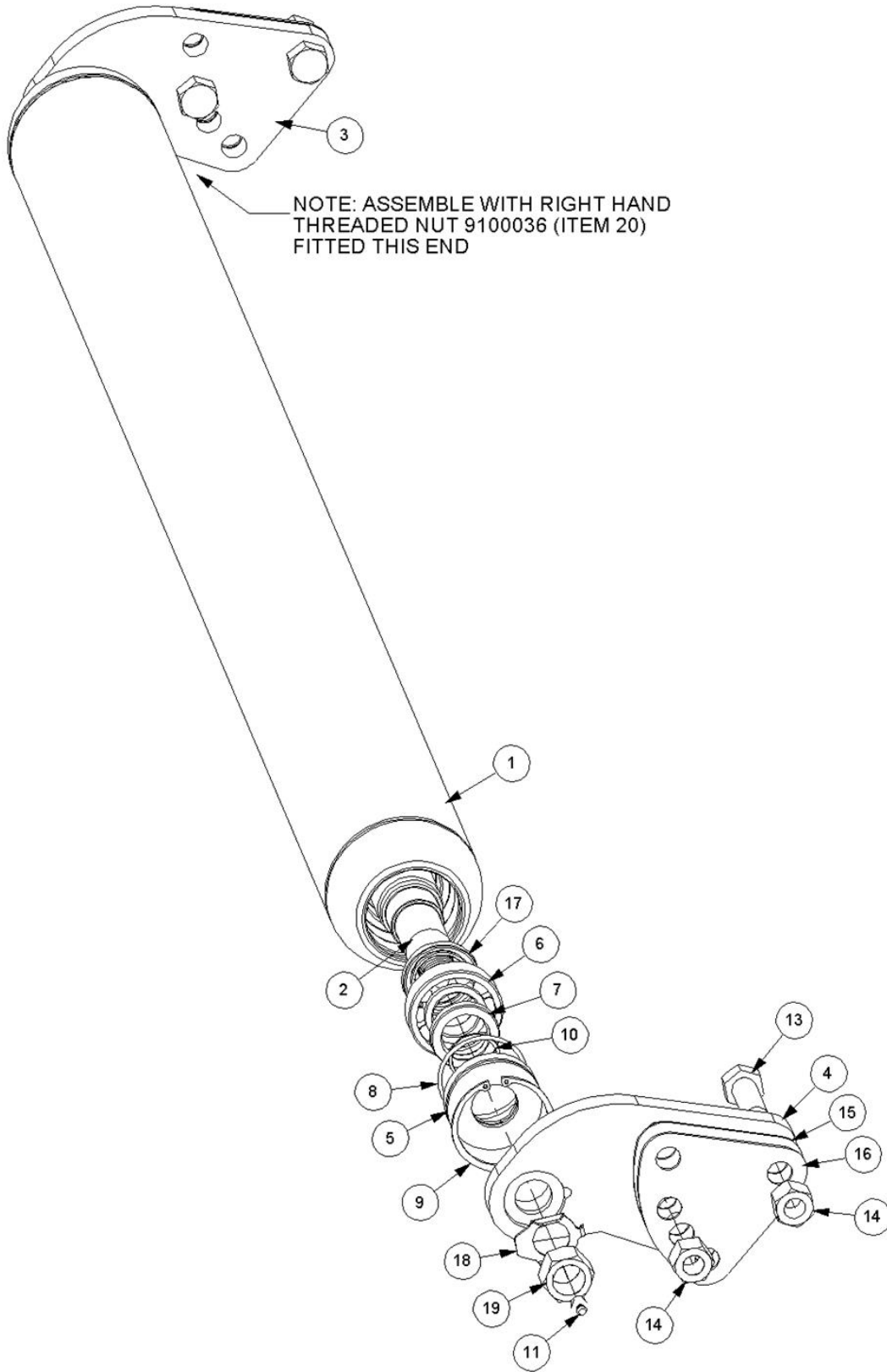


NOTE: LAYOUT SHOWN FOR LH OB/RH IB
 NUMBER PLATE FITTED TO OPPOSITE
 END FOR LH IB/RH OB

Ref	Part No	Description	QTY
1	09.810.01	DECAL	2
2	09.821.35	DECAL	1

Ref	Part No	Description	QTY
3	1290527	DECAL	1
4	1291315	DECAL	1
5	1290738	DECAL	1
6	1291231	DECAL	1
7	1335246	SERIAL No. PLATE	1
8	7103230	RIVET	4

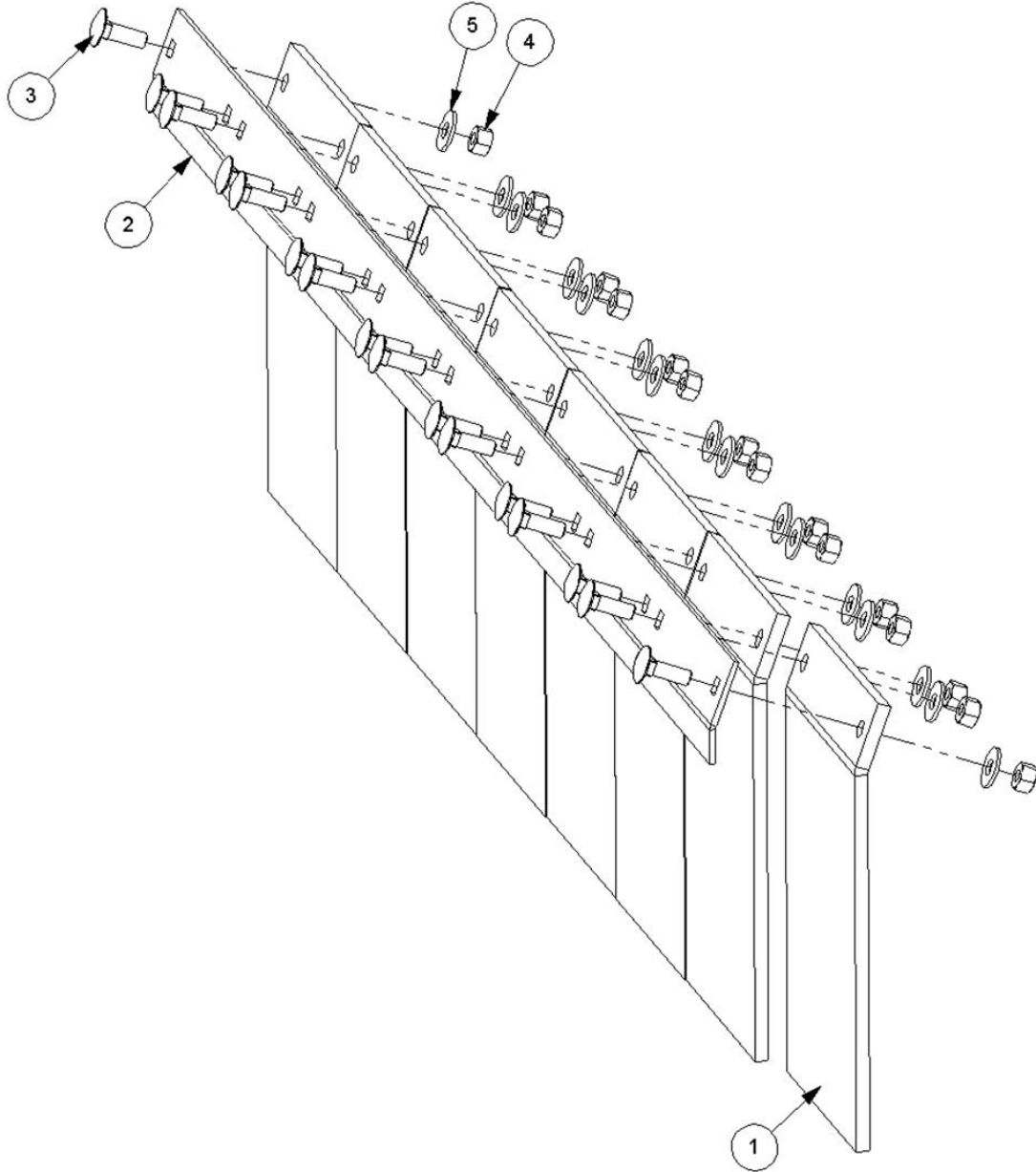
22808.01 - ROLLER ASSY



Ref	Part No	Description	QTY
1	22808.02	ROLLER	1
2	22808.05	SHAFT	1
3	22808.03	BRACKET -LH	1

Ref	Part No	Description	QTY
4	22808.04	BRACKET -RH	1
5	22808.06	CARRIER	2
6	0600111	BEARING	2
7	8629215	SEAL	2
8	8600422	"O" RING	2
9	0411262	CIRCLIP	2
10	0412120	CIRCLIP	2
11	0901121	GREASER	2
12	9213117	BOLT	2
13	9313097	SCREW	2
14	9163007	NUT	4
15	42257.03	SHIM	0
16	42257.04	SHIM	0
17	8629181	SEAL	2
18	21395.03	WASHER	2
19	9100035	NUT	1
20	9100036	NUT	1

7290375 - USE 7290375 FOR SPARES



Ref	Part No	Description	QTY
1	7290053	FLAP	8
2	7190304	STRIP	1
3	9293054	BOLT	16
4	9163004	NUT	16
5	9100104	WASHER	16

