

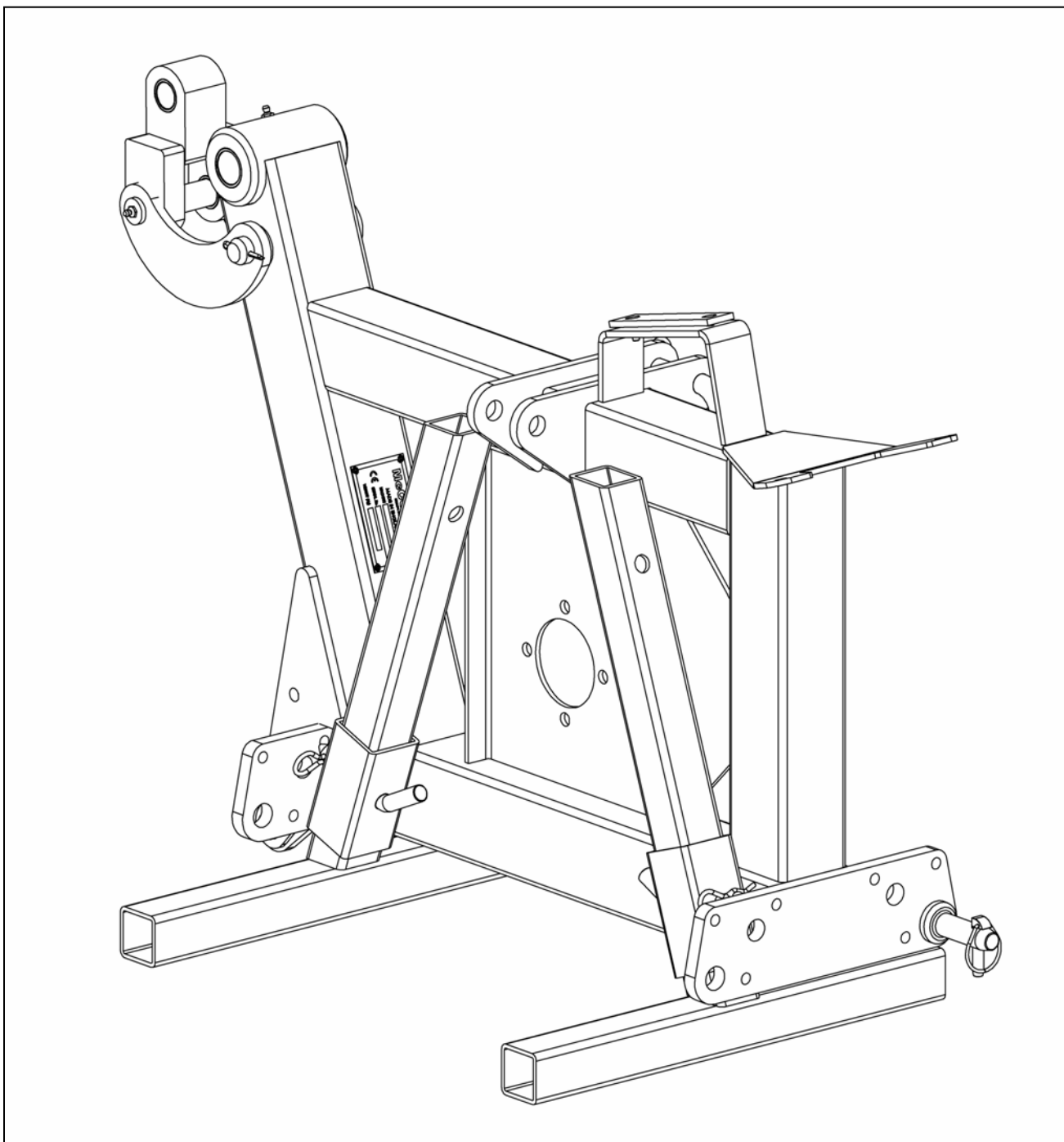
Publication 494  
November 2005  
Part No. 41570.94  
Revision: 16.05.08

# PA 35

## FRONT MOUNT



### Parts Manual



# McCONEL



***For best performance...***

**USE ONLY McCONNEL SERVICE PARTS**

*To be assured of the latest design improvements purchase your  
'Genuine Replacements' from the Original Equipment Manufacturer:*

**McCONNEL LIMITED**

*through your local Dealer or Stockist.*

**Always quote:**

- ***Machine Type***
- ***Serial Number***
- ***Part Number***

*Design Improvements may have altered some of the parts listed in this manual –  
The latest part will always be supplied when it is interchangeable with an earlier one.*



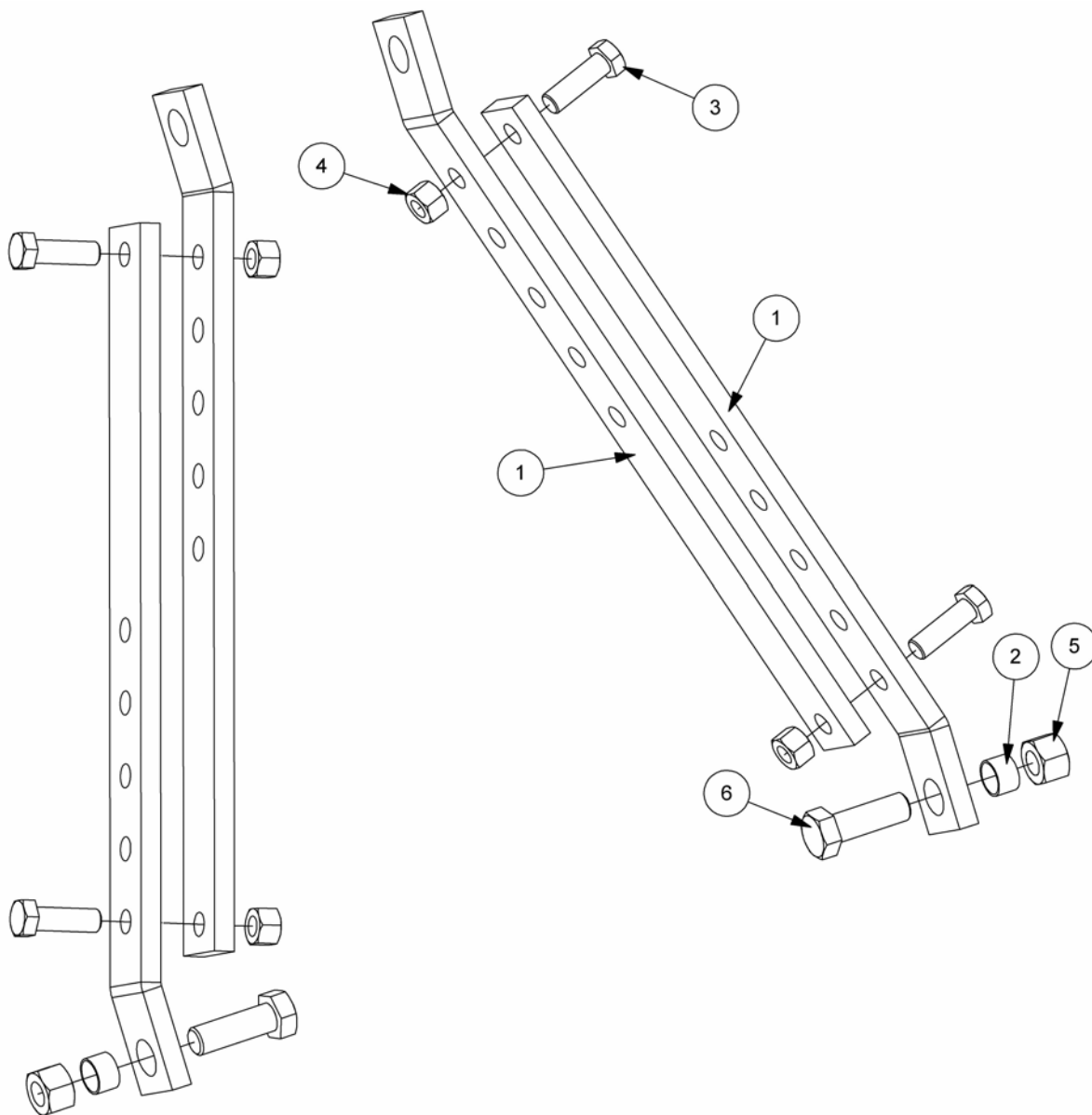
## LIST OF CONTENTS

	<i>Page No.</i>
Stabilizer Kit	5.
Main Frame Assembly	6.
Hydraulic Tank Assembly	8.
Rocker Assembly	10.
Main Arm Assembly	12.
Dipper Upper Assembly	14.
Dipper Arm Assembly	16.
Head Angling Mechanism Assembly	18.
Pump & Gearbox Assembly – <i>SI Models</i>	20.
Pump & Gearbox Assembly – <i>TI Models</i>	22.
Control Valve Assembly – <i>Cable Models</i>	24.
Control Valve Assembly – <i>Proportional Electric Models</i>	26.
Control Levers & Cable Assemblies – <i>Cable Models</i>	28.
Control Box – <i>Electric Models</i>	30.
In Cab Control Mountings – <i>Cable, Electric &amp; Proportional Models</i>	31.
Angle Ram Assembly	32.
Breakaway Ram Assembly	33.
Lift Ram Assembly	34.
Reach Ram Assembly	36.
Hydraulic Hose Installation – <i>Models without Pump &amp; Valve</i>	38.
Hydraulic Hose Installation – <i>SI Models</i>	40.
Hydraulic Hose Installation – <i>TI Models</i>	42.
Lift Float Kit	44.
Covers Assembly	46.
Machine Decals	48.
Cab Guard Kit	50.



**STABILIZER KIT**

Module:  
7490769

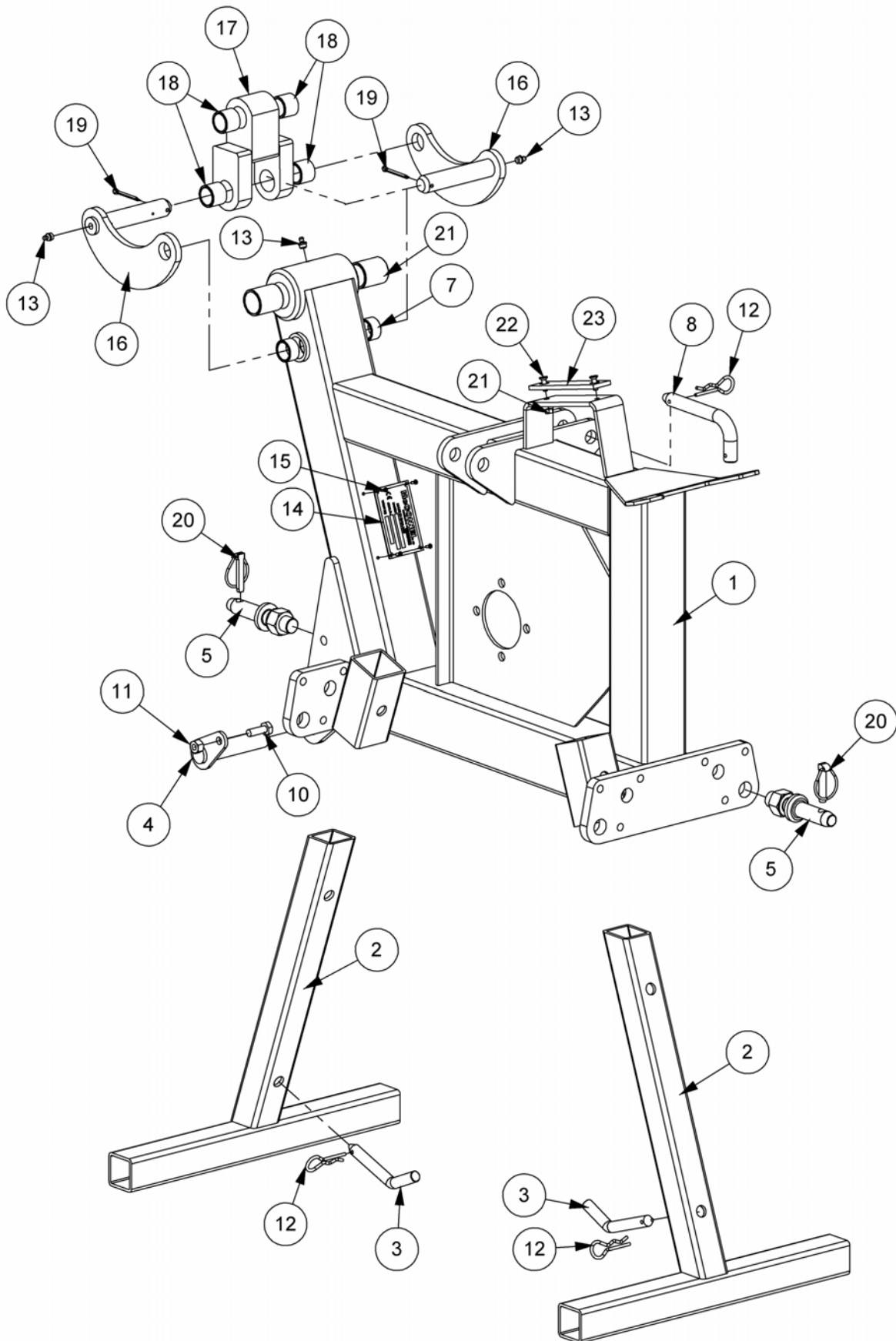


REF.	QTY.	PART No.	DESCRIPTION
		<b>7490769</b>	<b>STABILIZER KIT</b>
1	4	42366.04	STABILIZER BAR
2	2	21914.01	SPACER
3	4	9213107	BOLT
4	4	9143007	SELF-LOCKING NUT
5	2	9143008	SELF-LOCKING NUT
6	2	9213128	BOLT

# MAIN FRAME ASSEMBLY

**Module:**  
7490600 – R/H Build  
7490601 – L/H Build

*Illustrated in Right Hand Build*



**MAIN FRAME ASSEMBLY**

REF.	QTY.	PART No.	DESCRIPTION
		<b>7490600</b>	<b>FRONT MOUNT MAIN FRAME - R/H Build</b>
		<b>7490601</b>	<b>FRONT MOUNT MAIN FRAME - L/H Build</b>
1	1	41197.07	MAIN FRAME - R/H Build
	1	41197.08	MAIN FRAME - L/H Build
2	2	21853.01	STAND
3	2	7192023	LEG PIN
4	1	41267.04	PIN
5	2	21849.01	LINKAGE PIN - CAT 1 (REPLACEABLE)
7	2	7214060	BUSH
8	1	7192026	TOP LINK PIN
10	1	9313065	SETSCREW
11	1	9143005	SELF-LOCKING NUT
12	3	0431105	SPRING COTTER
13	4	0901121	GREASE NIPPLE
14	1	1335246	SERIAL No. PLATE
15	4	7103230	POP RIVET
16	2	21851.01	RADIUS ARM
17	1	21850.01	SLAVE LINK
18	4	7101083	LINK BUSH
20	2	9501406	SPLIT PIN
21	2	21149.01	BUSH
22	2	0431217	LINCH PIN
23	1	43091.03	PAD
24	2	9143003	SELF-LOCKING NUT
25	2	9353043	CAPSCREW



# HYDRAULIC TANK ASSEMBLY

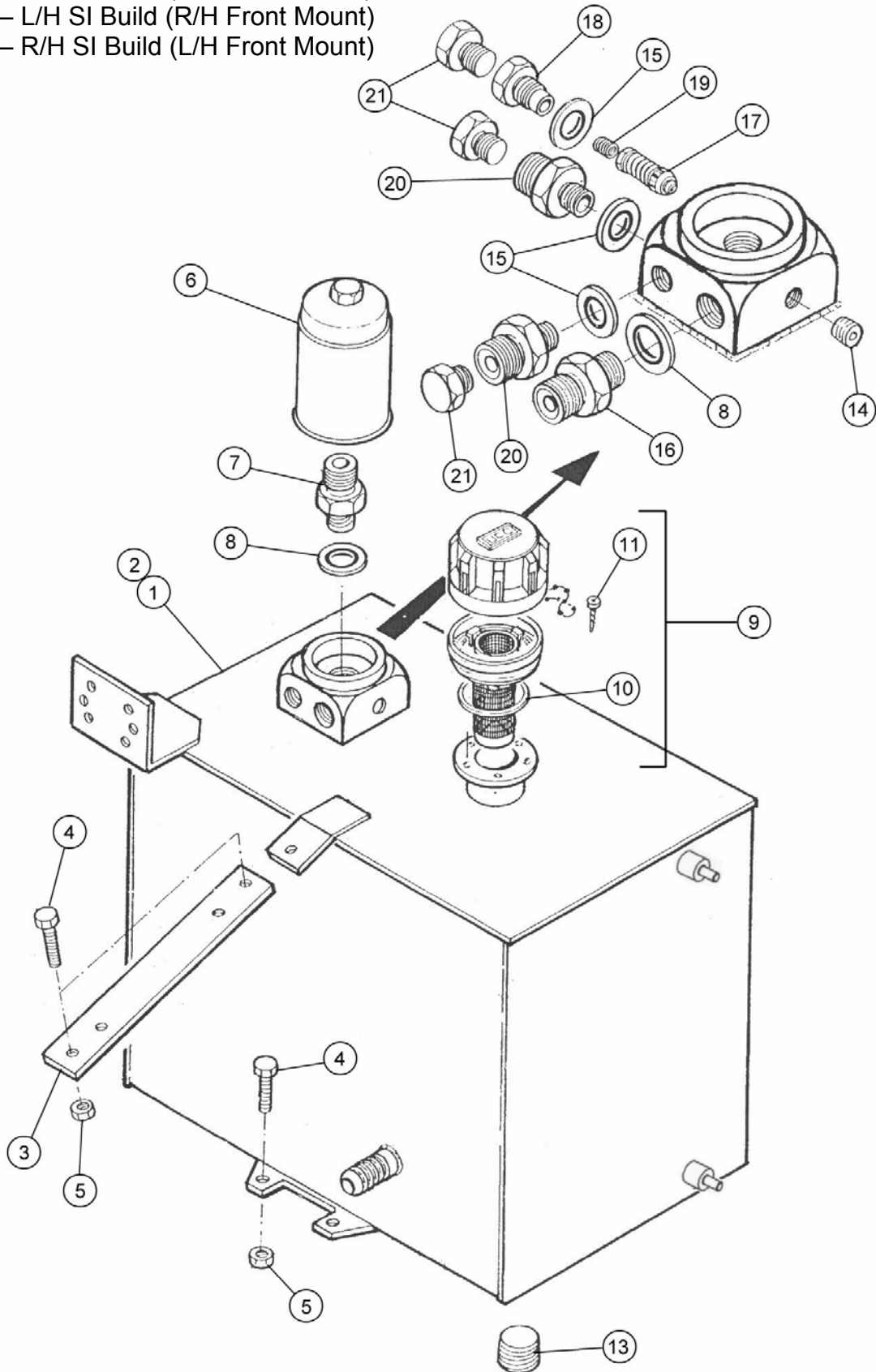
**Modules:**

7490777 – L/H TI Build (R/H Front Mount)

7490778 – R/H TI Build (L/H Front Mount)

7490779 – L/H SI Build (R/H Front Mount)

7490780 – R/H SI Build (L/H Front Mount)



**HYDRAULIC TANK ASSEMBLY**

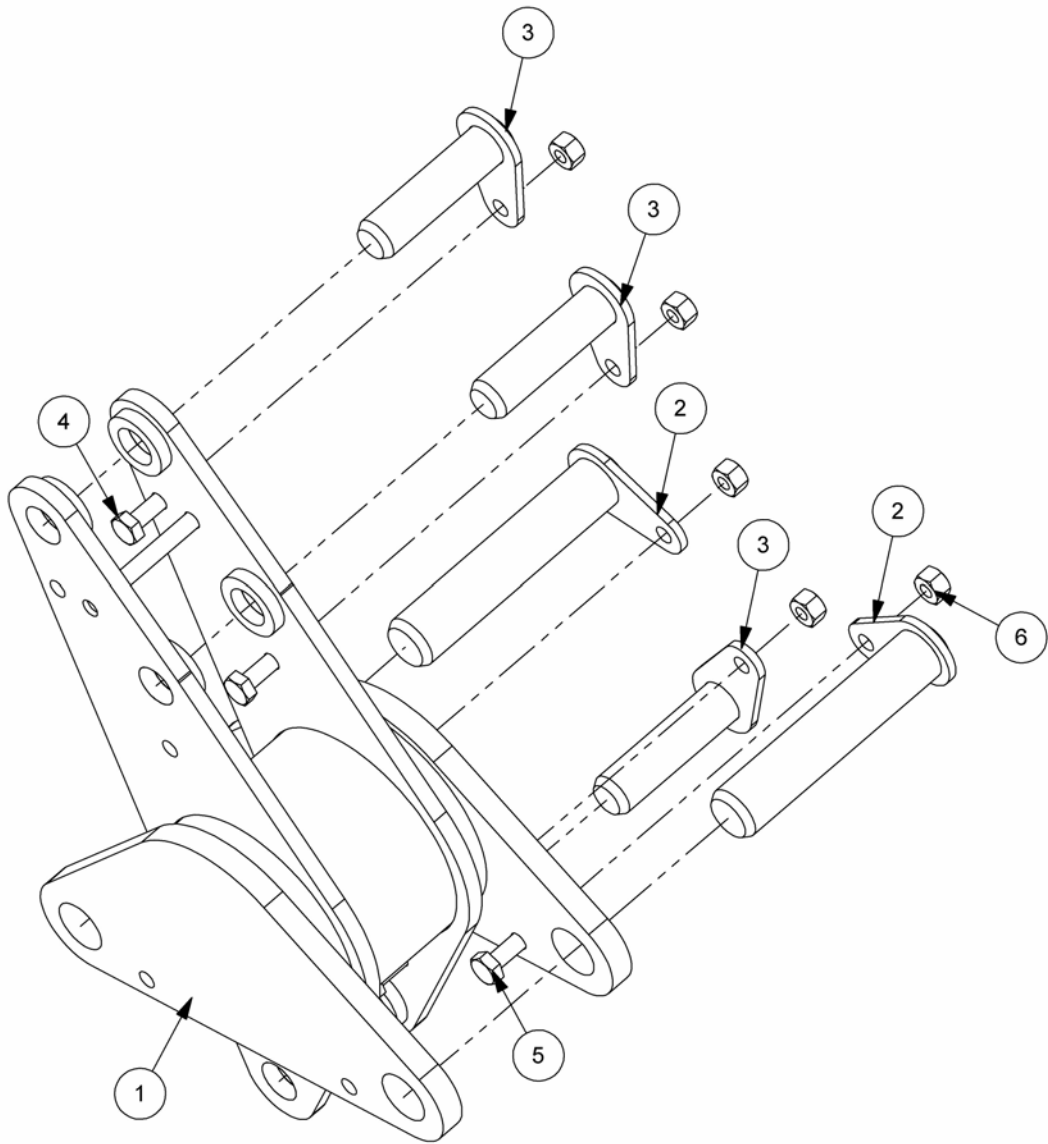
REF.	QTY.	PART No.	DESCRIPTION
		<b>7490777</b>	<b>TANK ASSEMBLY - L/H TI Build (R/H F/Mount)</b>
		<b>7490778</b>	<b>TANK ASSEMBLY - R/H TI Build (L/H F/Mount)</b>
		<b>7490779</b>	<b>TANK ASSEMBLY - L/H SI Build (R/H F/Mount)</b>
		<b>7490780</b>	<b>TANK ASSEMBLY - R/H SI Build (L/H F/Mount)</b>
1	1	41196.05	TANK - L/H ( <i>R/H on Front Mounted Models</i> )
2	1	41196.06	TANK- R/H ( <i>L/H on Front Mounted Models</i> )
3	1	41204.01	TANK STRAP
4	6	9313065	SETSCREW
5	6	9143005	SELF-LOCKING NUT
6	1	8401045	FILTER
7	1	8581174	ADAPTOR
8	2	8650104	BONDED SEAL
9	1	8401014	FILLER / BREATHER ASSEMBLY - <i>c/w</i>
10	1	8401017	GASKET
11	6	0300082	SELF-TAPPING SCREW
12	4	9100104	* FLAT WASHER
13	1	8581203	DRAIN PLUG
14	1	8582042	PLUG
15	3	8650103	BONDED SEAL
16	1	G381.2120	ADAPTOR
17	1	8130030	RELIEF VALVE
18	1	8130031	RELIEF VALVE HOUSING
19	1	8116011	SPRING
20	2	8581175	ADAPTOR
21	3	8003001	BLANKING PLUG - <i>TI models only</i>
22	2	9213144	* BOLT
23	1	9213134	* BOLT
24	3	9143004	* NUT
25	1	41204.02	* EXTENSION BRACKET

\* *not illustrated*

} *SI models only*

# ROCKER ASSEMBLY

Module:  
7490602



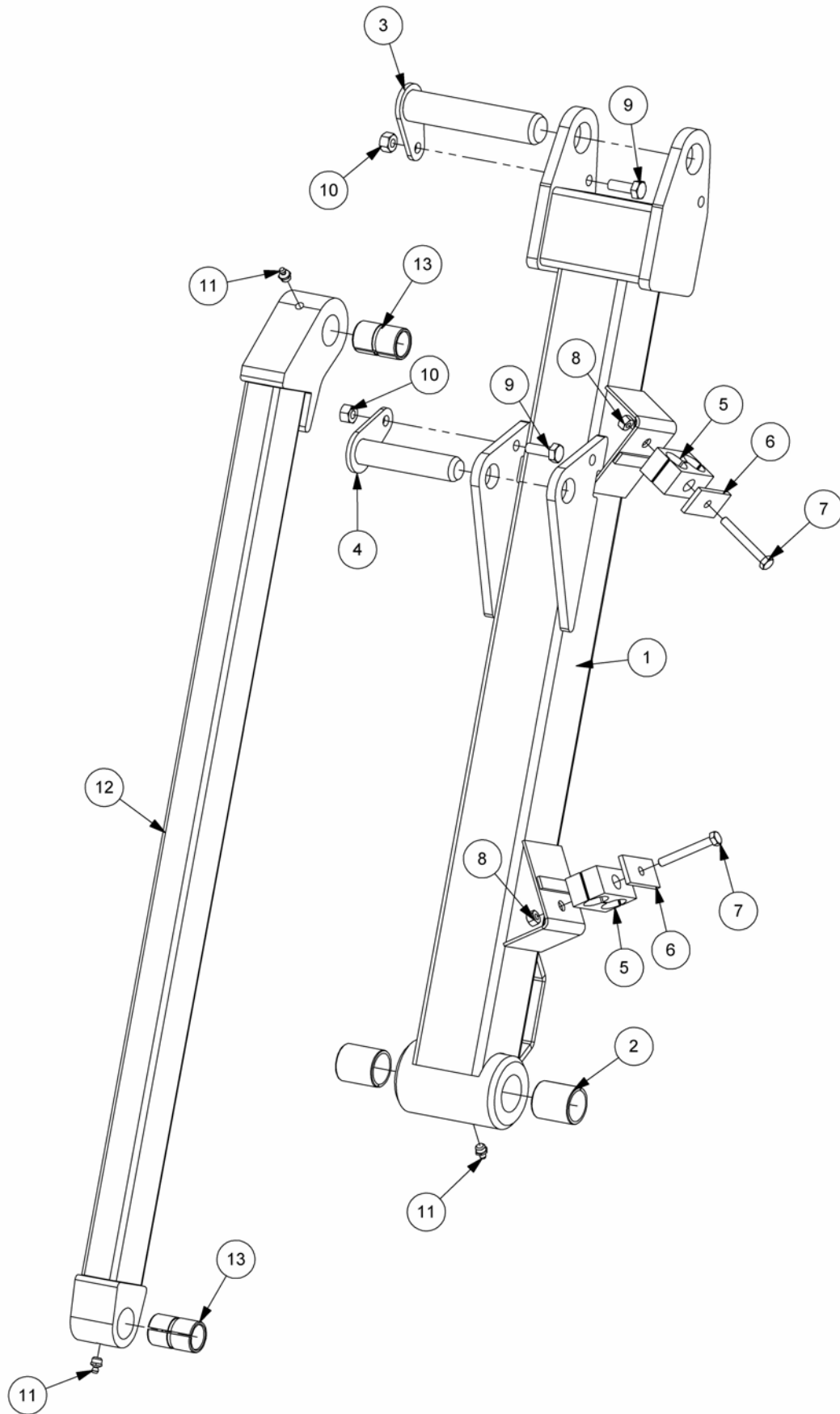


**ROCKER ASSEMBLY**

REF.	QTY.	PART No.	DESCRIPTION
		<b>7490602</b>	<b>ROCKER ASSEMBLY</b>
1	1	41198.04	ROCKER
2	2	41268.01	MAIN PIVOT PIN
3	3	41691.03	PIN
4	3	9313065	SETSCREW
5	2	9313075	SETSCREW
6	5	9143005	SELF-LOCKING NUT

# MAIN ARM ASSEMBLY

Module:  
7490603

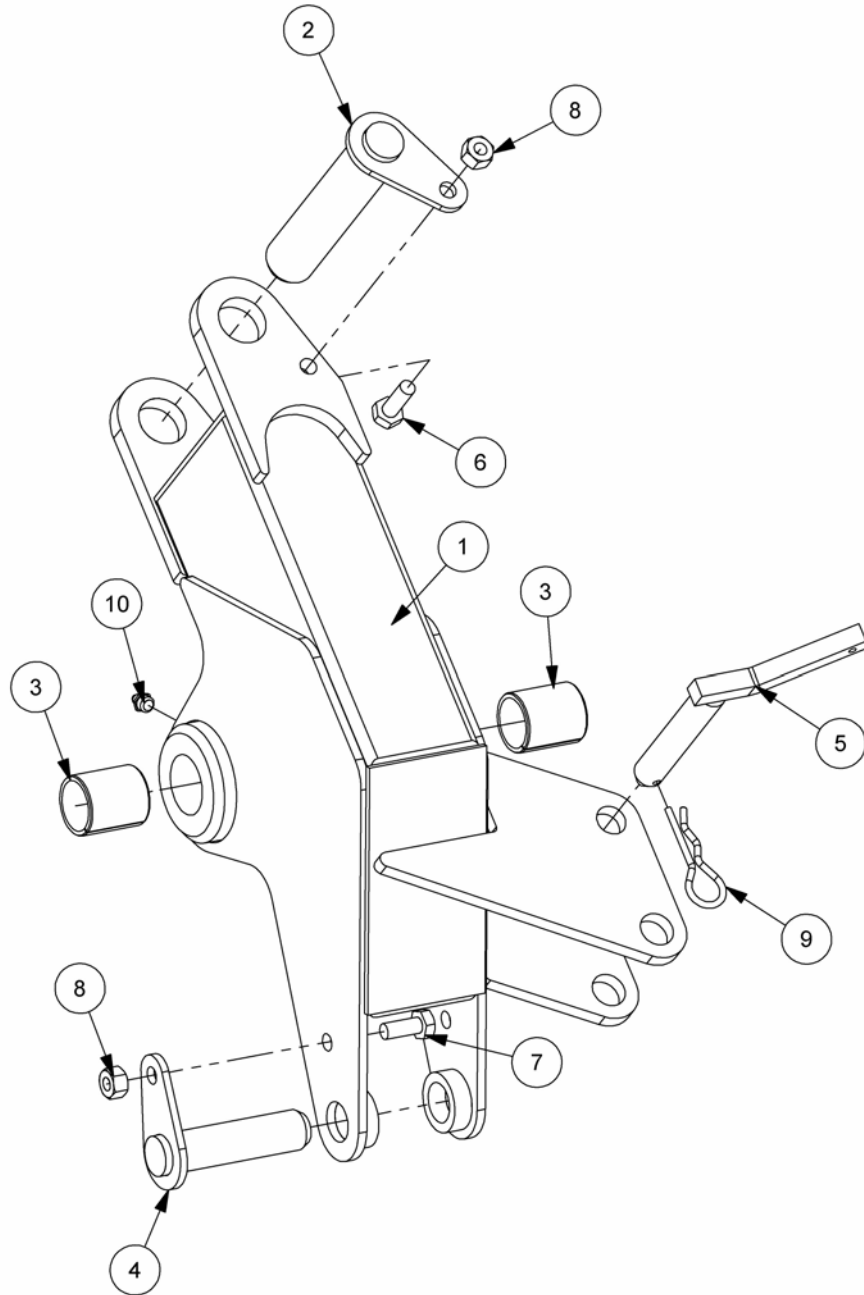


**MAIN ARM ASSEMBLY**

REF.	QTY.	PART No.	DESCRIPTION
		<b>7490603</b>	<b>MAIN ARM ASSEMBLY</b>
1	1	41199.07	MAIN ARM
2	2	7101134	BUSH
3	1	41268.01	MAIN PIVOT PIN
4	1	41267.04	PIN
5	2	06.430.09	DOUBLE HOSE CLAMP
6	2	06.418.03	CLAMP PLATE
7	2	9213134	BOLT
8	2	9143004	SELF-LOCKING NUT
9	2	9313065	SETSCREW
10	2	9143005	SELF-LOCKING NUT
11	3	0901121	GREASE NIPPLE
12	1	41200.03	TENSION LINK
13	2	7105050	ROD END BUSH

# DIPPER UPPER ASSEMBLY

Module:  
7490605



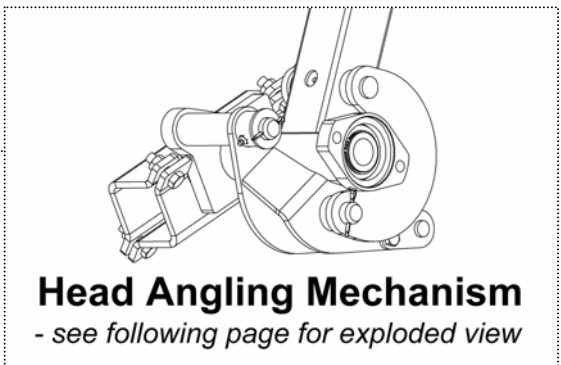
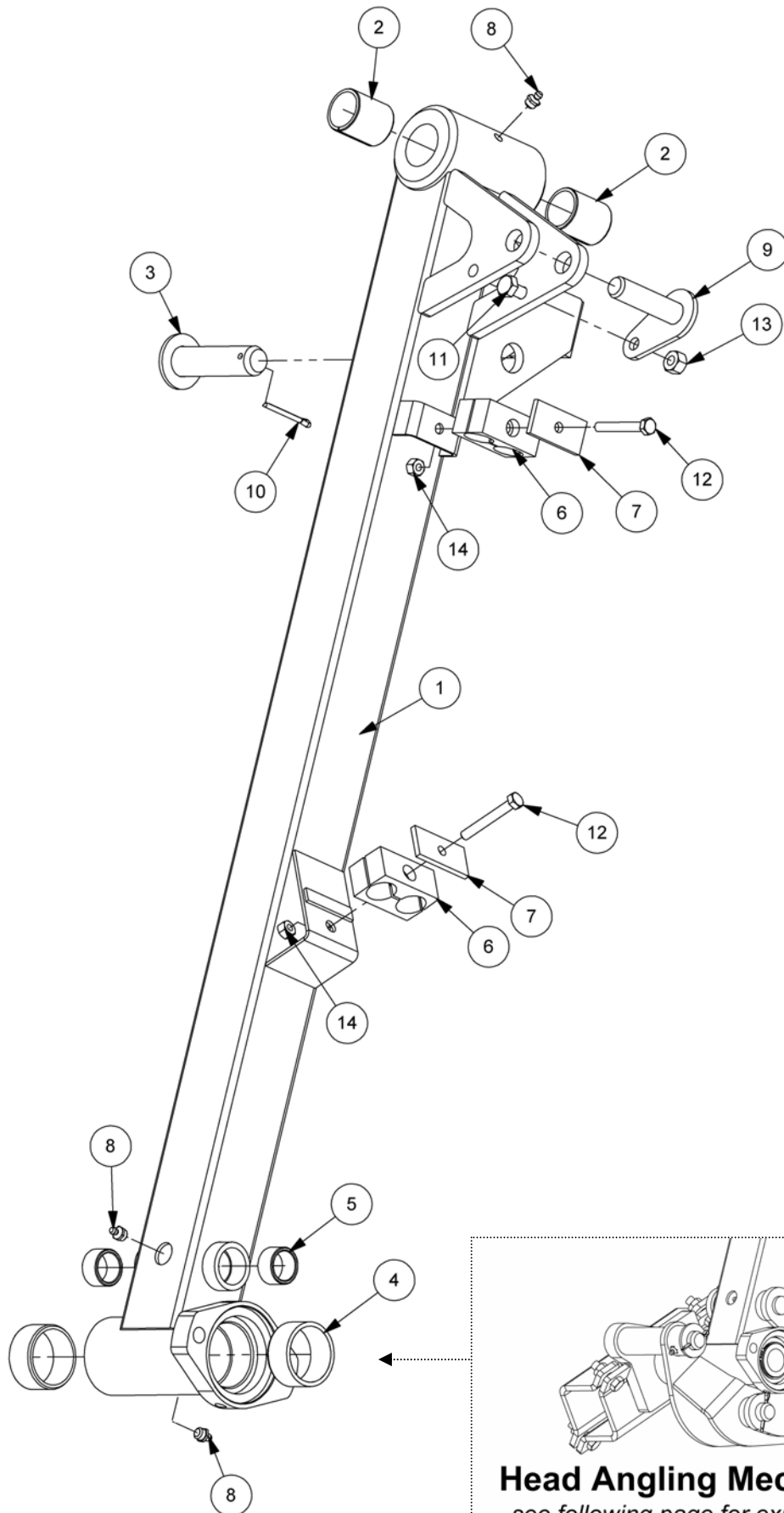
**DIPPER UPPER ASSEMBLY**

REF.	QTY.	PART No.	DESCRIPTION
		<b>7490605</b>	<b>DIPPER UPPER ASSEMBLY</b>
1	1	41201.05	DIPPER UPPER
2	1	41268.03	MAIN PIVOT PIN
3	2	7101134	BUSH
4	1	41267.03	PIN
5	1	7191036	B/A RAM PIN
6	1	9313065	SETSCREW
7	1	9313055	SETSCREW
8	2	9143005	SELF-LOCKING NUT
9	1	0431105	SPRING COTTER
10	1	0901121	GREASE NIPPLE



# DIPPER ARM ASSEMBLY

Module:  
7490607



**DIPPER ARM ASSEMBLY**

REF.	QTY.	PART No.	DESCRIPTION
		<b>7490607</b>	<b>DIPPER ARM ASSEMBLY</b>
1	1	41202.03	DIPPER ARM
2	2	7101134	BUSH
3	1	7191041	ANGLE BASE PIN
4	2	1090001	HINGE BEARING
5	2	7214060	BUSH
6	2	06.430.09	DOUBLE HOSE CLAMP
7	2	06.418.03	CLAMP PLATE
8	3	0901121	GREASE NIPPLE
9	1	41270.01	PIN
10	1	9501406	SPLIT PIN
11	1	9313065	SETSCREW
12	2	9213124	BOLT
13	1	9143005	SELF-LOCKING NUT
14	2	9143004	SELF-LOCKING NUT

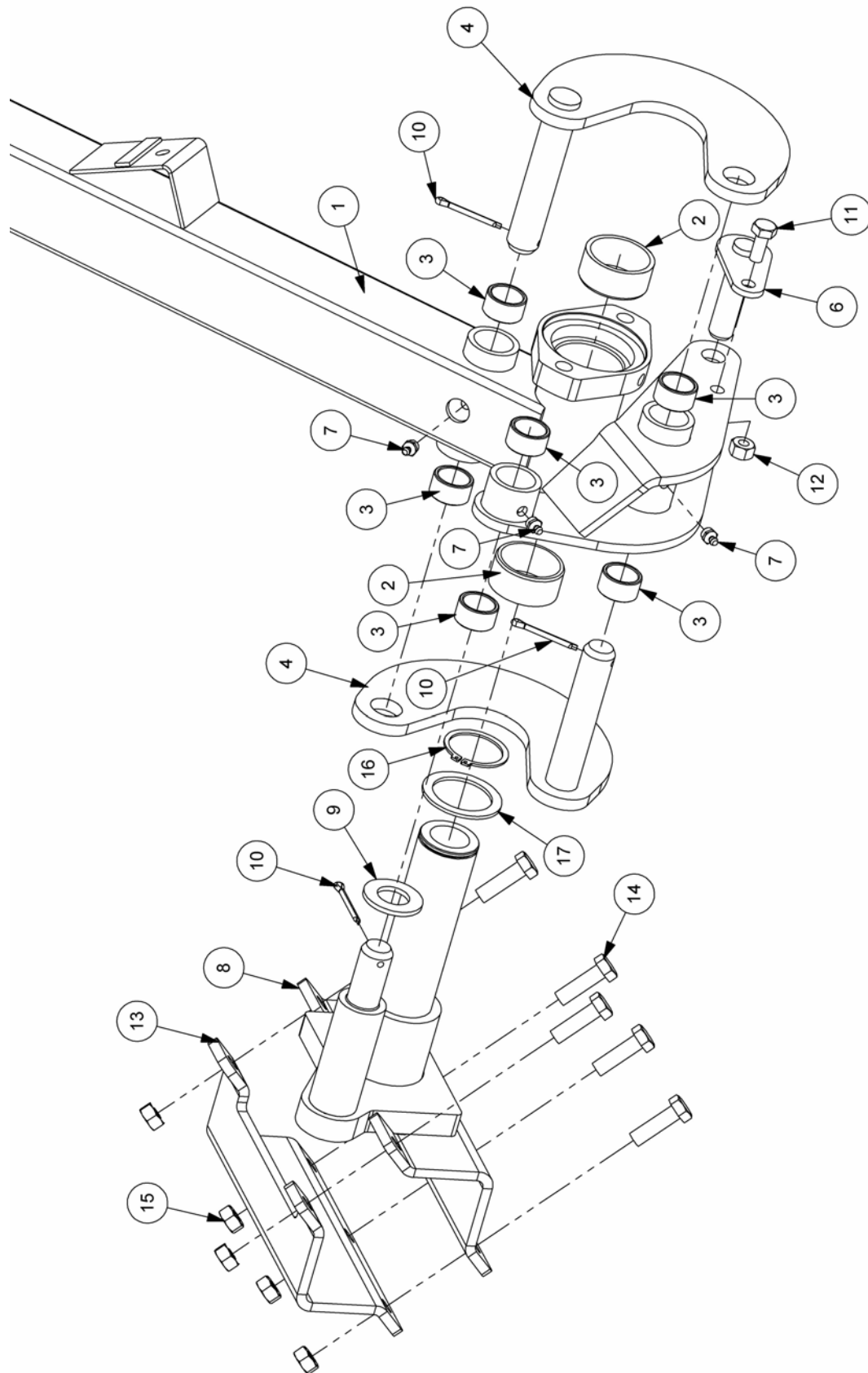
**HEAD ANGLING MECHANISM COMPONENTS**

– refer to following page for exploded view

15	2	1090001	HINGE BEARING
16	6	7214060	BUSH
17	2	21851.02	RADIUS ARM
18	1	21850.02	SLAVE LINK - R/H
19	1	41270.01	PIN
20	2	0901121	GREASE NIPPLE
21	1	21872.01	HEAD BRACKET
22	1	0100109	FLAT WASHER
23	3	9501406	SPLIT PIN
24	1	9313055	SETSCREW
25	1	9143005	SELF-LOCKING NUT
26	1	21873.01	CLAMP PLATE
27	5	9313086	SETSCREW
28	5	9143006	SELF-LOCKING NUT
29	1	0406247	EXTERNAL CIRCLIP
30	1	1090037	RETAINING WASHER

# HEAD ANGLING MECHANISM

**Module:**  
Sub-component of Dipper Arm Assembly 7490607



**HEAD ANGLING MECHANISM**

REF.	QTY.	PART No.	DESCRIPTION
<i>Component of: 7490607</i>			<b>HEAD ANGLING MECHANISM</b>
1	1	41202.03	DIPPER
2	2	1090001	HINGE BEARING
3	6	7214060	BUSH
4	2	21851.02	RADIUS ARM
5	1	21850.02	SLAVE LINK - R/H
6	1	41270.01	PIN
7	3	0901121	GREASE NIPPLE
8	1	21872.01	HEAD BRACKET
9	1	0100109	FLAT WASHER
10	3	9501406	SPLIT PIN
11	1	9313055	SETSCREW
12	1	9143005	SELF-LOCKING NUT
13	1	21873.01	CLAMP PLATE
14	5	9313086	SETSCREW
15	5	9143006	SELF-LOCKING NUT
16	1	0406247	EXTERNAL CIRCLIP
17	1	1090037	RETAINING WASHER



**SI PUMP & GEARBOX ASSEMBLY**

REF.	QTY.	PART No.	DESCRIPTION
		<b>41316.06</b>	<b>SI PUMP &amp; GEARBOX ASSEMBLY</b>
1	1	8013570	GEARBOX ASSEMBLY
2	1	8201704	PUMP
3	1	8013097	COUPLING
4	1	42415.02	SPACER
5	4	9313046	SETSCREW
6	4	9100206	SPRING WASHER
7	1	8013022/B	SUCTION CONNECTION
8	1	8013023	GASKET
9	2	9213144	BOLT
10	6	9100204	SPRING WASHER
11	1	8013083	PRESURE CONNECTION
12	1	8600119	O RING
13	4	9300147	SETSCREW
14	1	1290030	DECAL
15	1	8581338	ELBOW - SWIVEL
16	4	9213095	BOLT
17	4	9100205	SPRING WASHER
		<b>8699231</b>	<b>PUMP SEAL KIT</b>

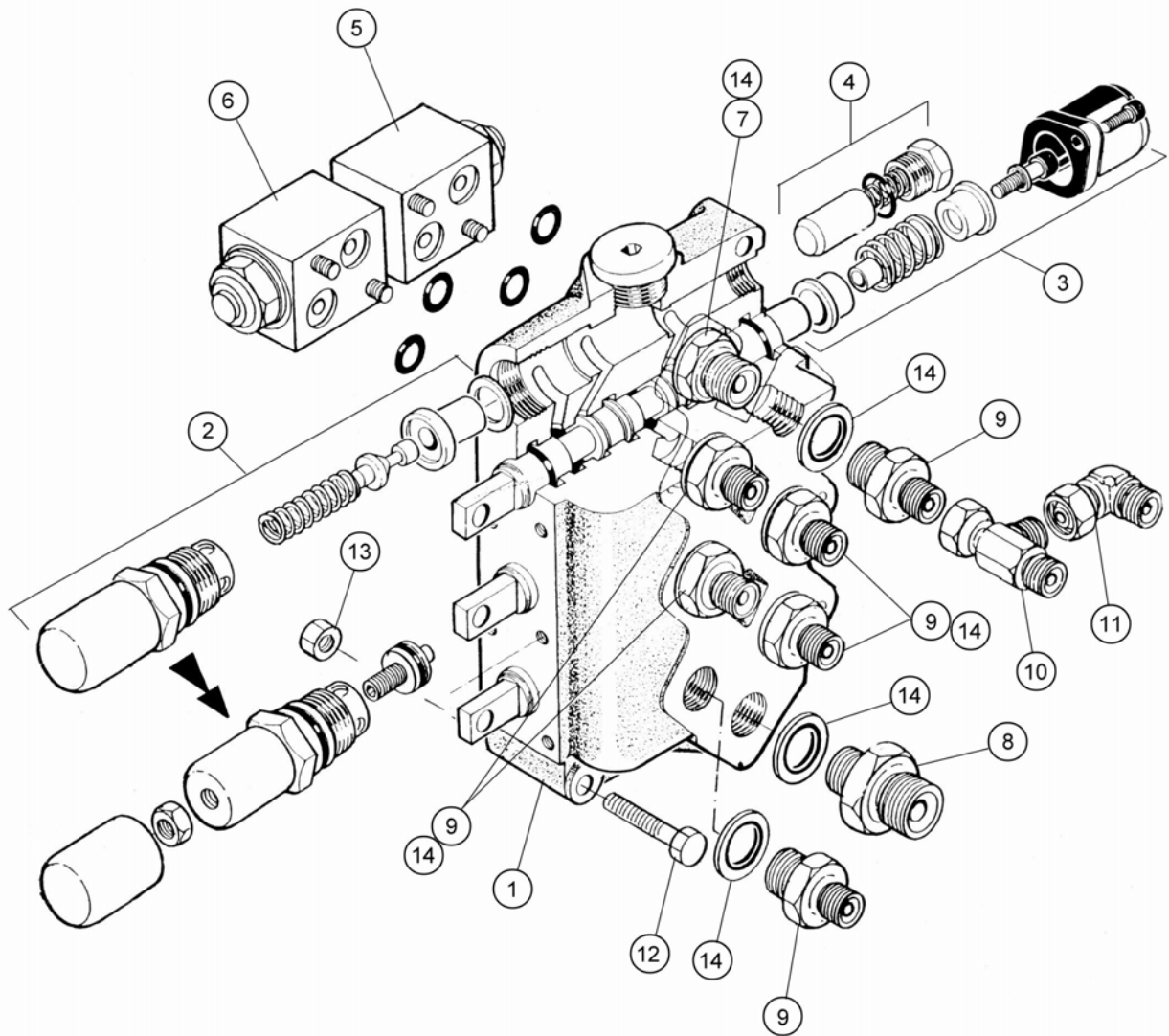


**TI PUMP & GEARBOX ASSEMBLY**

REF.	QTY.	PART No.	DESCRIPTION
		<b>41317.07</b>	<b>TI PUMP &amp; GEARBOX ASSEMBLY</b>
1	1	8013570	GEARBOX ASSEMBLY
2	1	8201693	TANDEM PUMP - <i>comprising of:</i>
3	1	-	LARGE PUMP
4	1	-	SMALL PUMP
5	1	8013097	COUPLING
6	1	42415.02	SPACER
7	1	8013082	SUCTION CONNECTION
8	1	8013023	GASKET
9	2	9213144	BOLT
10	2	9100204	SPRING WASHER
11	1	8013083	PRESSURE CONNECTION
12	1	8600119	O RING
13	4	9300147	SETSCREW
14	1	8002059	ADAPTOR - LOW PRESSURE
15	1	6000112	ADAPTOR
16	1	G3812120	ADAPTOR
17	1	8581173	ELBOW - LOW PRESSURE
18	1	8581338	ELBOW - SWIVEL
19	2	8650104	BONDED SEAL
20	1	8501099	HOSE - 5/8" BORE
21	2	0904204	HOSE CLIP
22	1	1290030	GEARBOX LABEL
23	4	9213095	BOLT
24	4	9100205	SPRING WASHER
25	4	9313046	SETSCREW
26	4	9100206	SPRING WASHER
		<b>8699231</b>	<b>PUMP SEAL KIT</b>



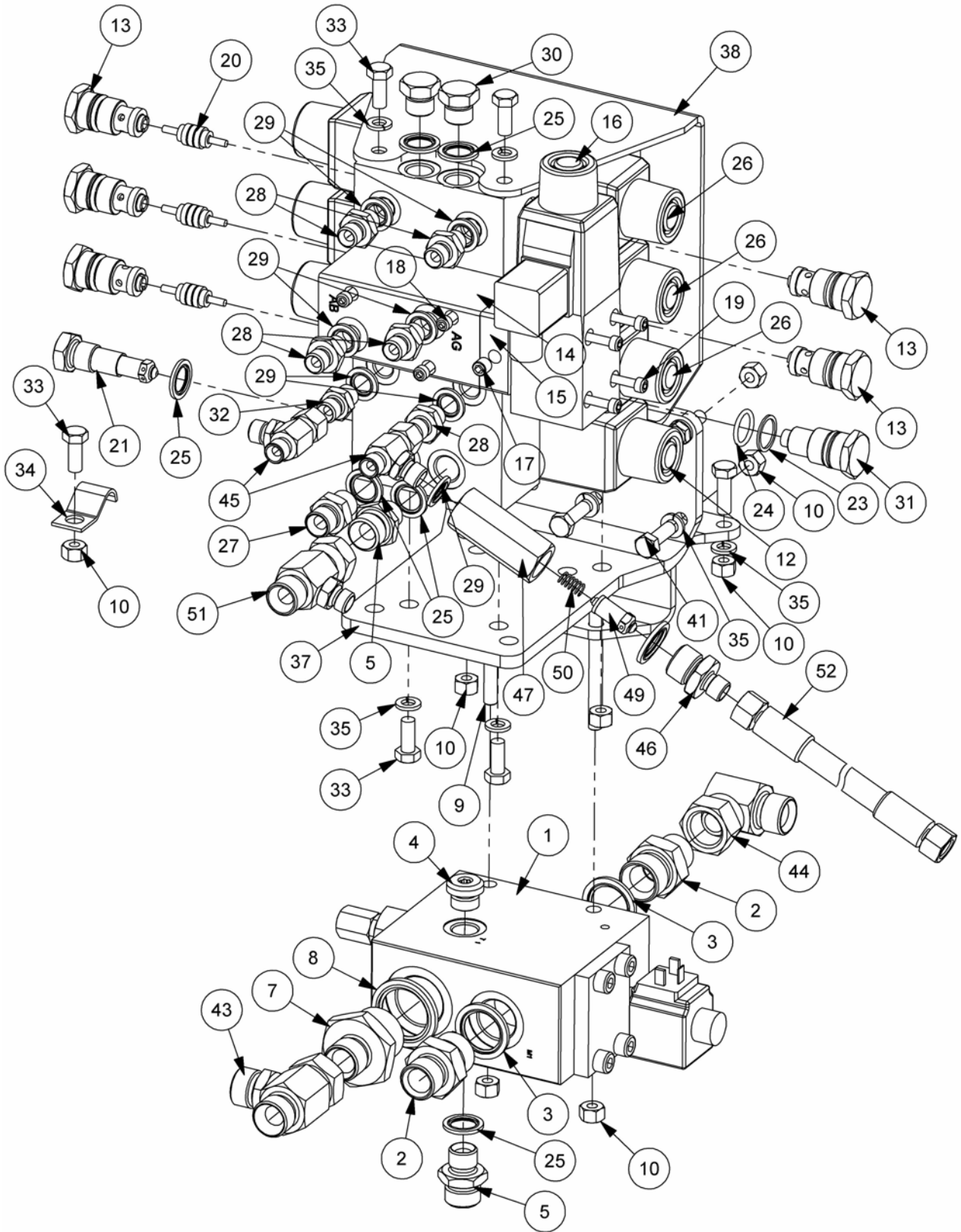
Module:  
7490773



**CABLE CONTROL VALVE**

REF.	QTY.	PART No.	DESCRIPTION
		<b>7490773</b>	<b>CABLE CONTROL VALVE ASSEMBLY</b>
1	1	8130616	CONTROL VALVE - 3 SPOOL 160BAR
2	1	G3812539	MAIN RELIEF VALVE - 160BAR (2300psi)
3	3	8130134	CENTERING SPRING ASSEMBLY
4	1	8130022	NON RETURN VALVE ASSEMBLY
5	1	8128022	SERVICE RELIEF VALVE - 175BAR (Lift Base)
6	1	8128065	SERVICE RELIEF VALVE - 40BAR (Lift Gland)
7	1	6000113	ADAPTOR
8	1	6000112	ADAPTOR
9	6	8581115	ADAPTOR
10	1	8581254	TEE CONNECTOR
11	1	8581190	ELBOW - SWIVEL
12	3	9213144	BOLT
13	5	9143004	SELF-LOCKING NUT
14	8	8650103	BONDED SEAL
		<b>8699163</b>	<b>SEAL KIT</b>
		<b>8700510</b>	<b>O RING</b>

Module:  
7490797

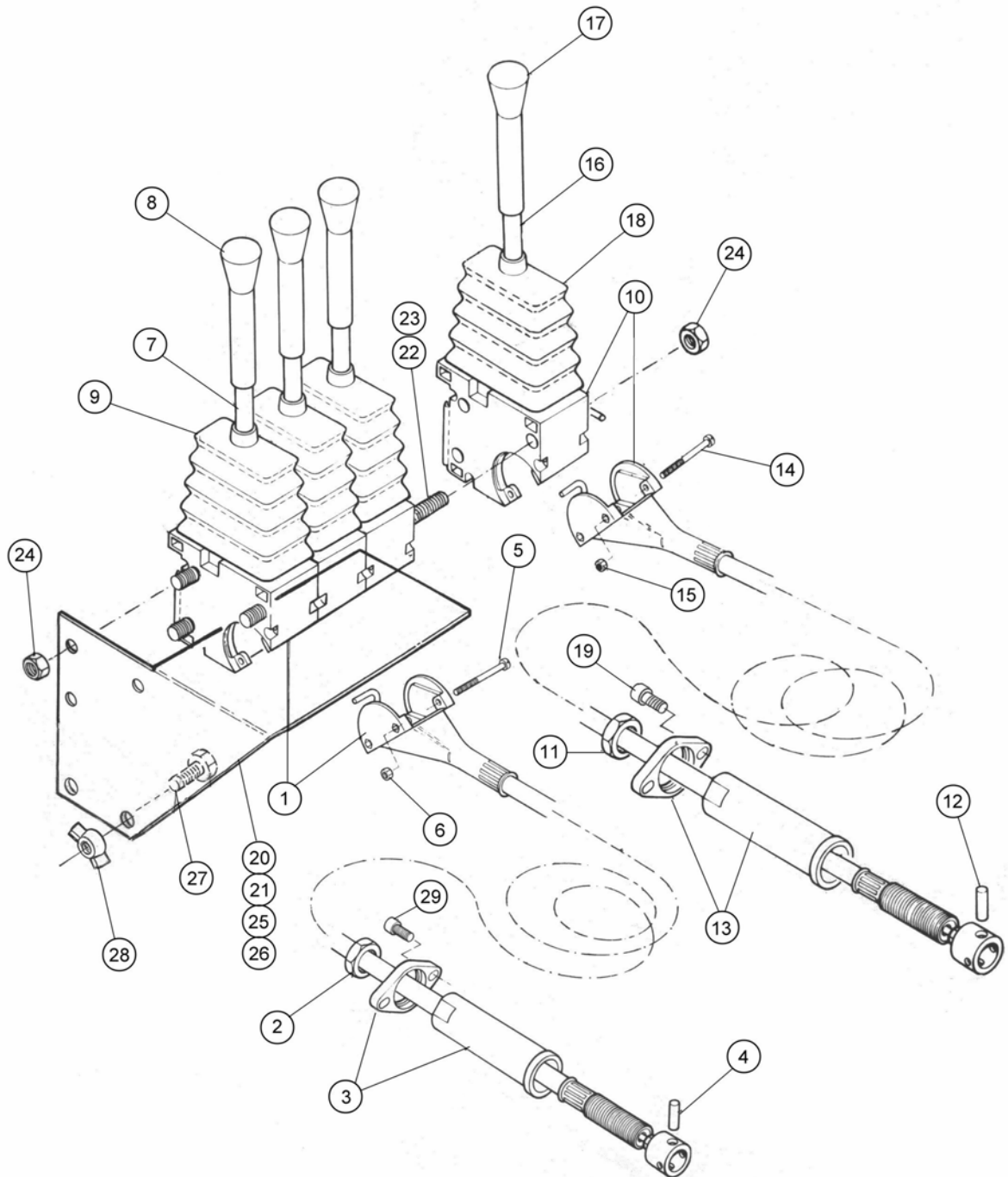


**CONTROL VALVE – Prop. Electric**

REF.	QTY.	PART No.	DESCRIPTION
		<b>7490797</b>	<b>VALVE ASSEMBLY - Proportional Electric</b>
1	1	08.943.01	RELIEF VALVE / DIVERTER
2	2	8581270	ADAPTOR
3	2	8650106	BONDED SEAL
4	1	8581436	PLUG - SOFT SEAL
5	2	6000112	ADAPTOR
6	1	21476.02	PLATE
7	1	8581378	ADAPTOR
8	1	8650108	BONDED SEAL
9	2	9213164	BOLT
10	11	9143004	SELF-LOCKING NUT
11	1	8130653	BLOCK - 3 SERVICE
12	1	8130456	CUT OFF SOLENOID VALVE
13	5	8130090	CHECK VALVE ASSEMBLY
14	1	8130323	FLOAT VALVE BLOCK
15	1	8126280	BRIDGING PLATE
16	1	8130457	SOLENOID VALVE SINGLE
17	1	8582041	TAPER PLUG
18	4	9243082	CAPSCREW
19	4	9243102	CAPSCREW
20	3	8130087	ACTUATOR
21	1	8130032	RELIEF VALVE CAP
22	1	8130124	RELIEF VALVE (140BAR)
23	1	8709644	BACK UP RING
24	1	8700644	O RING - METRIC
25	6	8650103	BONDED SEAL
26	3	41784.48	DOUBLE SOLENOID PROP. VALVE
27	1	6000113	ADAPTOR
28	5	8581169	ADAPTOR
29	7	8650102	BONDED SEAL
30	2	8003001	ADAPTOR PLUG
31	1	8130078	CHECK VALVE CAP
32	1	8130038	ADAPTOR RESTRICTOR - 1.4 'L'
33	7	9313044	SETSCREW
34	1	7109151	CABLE CLAMP
35	11	9100204	SPRING WASHER
36	16	9243062	CAPSCREW
37	1	43497.02	PLATE BRACKET
38	1	7194277	VALVE COVER
39	1	41844.02	LOOM - 14 CORE PLUG IN
40	1	7313282	CAB MOUNTING KIT
41	6	9313054	SETSCREW
42	1	8402338	LOOM - ANGLE FLOAT
43	1	8581460	ADAPTOR TEE - MFM
44	1	8581338	ADAPTOR - 90° MF
45	2	8581254	ADAPTOR TEE - MFM
46	1	8130083	ADAPTOR RELIEF BODY
47	1	8130156	RELIEF VALVE HOUSING
48	1	8650104	BONDED SEAL
49	1	8130164	RELIEF VALVE (50BAR)
50	1	8116011	SPRING
51	1	04.056.25	ADAPTOR TEE - MF
52	1	10.001.05	HOSE - 1/4" BSP FS/FS x 250mm

# LEVER & CABLE ASSEMBLY

**Module:**  
8017037 – Armhead Control Lever & Cable Assembly  
8017052 – Rotor Control Lever & Cable Assembly



**LEVER & CABLE ASSEMBLY**

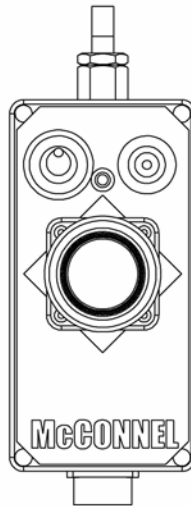
REF.	QTY.	PART No.	DESCRIPTION
1	3	<b>8017037</b>	<b>LEVER &amp; CABLE ASSEMBLY (Lift/Reach/Angle)</b>
2	1	8017014	LOCKNUT
3	1	8017013	FLANGE AND SLEEVE
4	1	8017016	SPOOL EYE PIN
5	2	9373081	SCREW
6	2	9113001	NUT
7	1	8017023	LEVER
8	1	8017027	KNOB (BLACK)
	1	80 17 067	KNOB (GREEN)
	1	80 17 068	KNOB (YELLOW)
9	1	8017026	WEATHER GAITER
10	1	<b>8017052</b>	** <b>LEVER &amp; CABLE ASSEMBLY (Rotor Control)</b>
11	1	8017014	** LOCKNUT
12	1	8017021	** PIN
13	1	8017018	** FLANGE AND SLEEVE
14	2	9373081	** SCREW
15	2	9113001	** NUT
16	1	8017023	** LEVER
17	1	09.968.99	** KNOB (RED)
18	1	8017026	** WEATHER GAITER
19	2	9343023	** CAPSCREW
20	1	09.970.01	** MOUNTING BRACKET - 4 Lever L/H
21	1	09.970.02	** MOUNTING BRACKET - 4 Lever R/H
22	3	04.282.70	** TIE ROD - 4 Lever
23	3	04.282.73	* TIE ROD - 3 Lever
24	3	9143003	SELF-LOCKING NUT
25	1	41.181.01	* MOUNTING BRACKET - 3 Lever L/H
26	1	41.181.02	* MOUNTING BRACKET - 3 Lever R/H
27	2	9313034	SETSCREW
28	2	9193004	WINGNUT
29	6	9343022	CAPSCREW

\* *Si Models only*\*\* *Ti Models only*

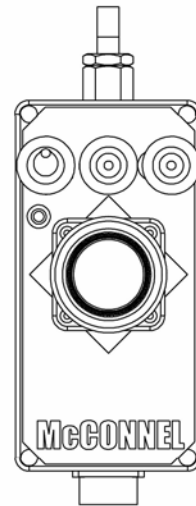
**Modules:**

8402393 Illustrated

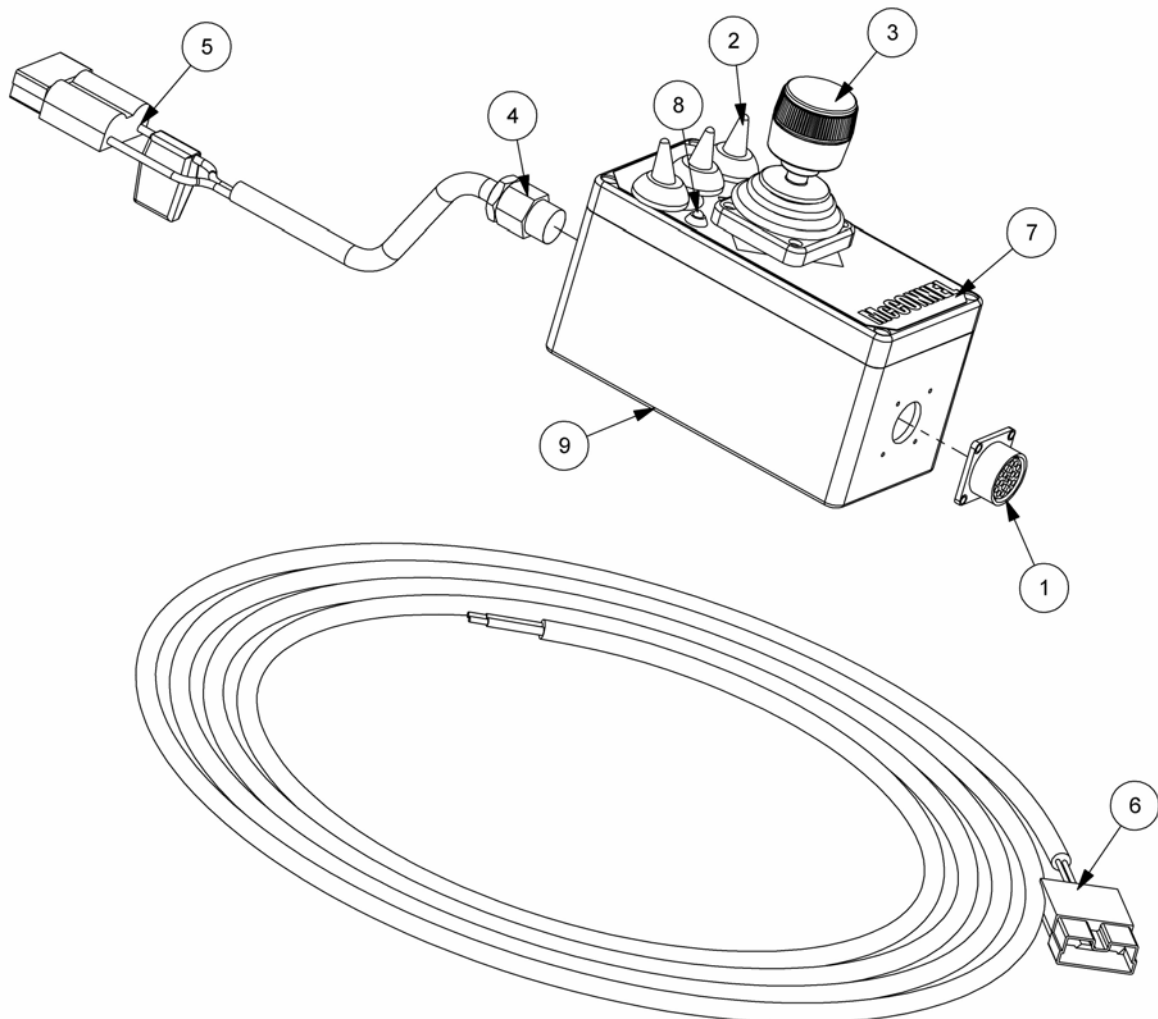
- 8402390 – 3 Service B/B 2 Switch
- 8402391 – 3 Service Prop. B/B 2 Switch
- 8402392 – 3 Service Prop. B/B 3 Switch
- 8402393 – 3 Service Prop. 3 Switch



8402390 & 8402391



8402392 & 8402393





REF.	QTY.	PART No.	DESCRIPTION
		8402390	CONTROL BOX - B/B 2 Switch
		8402391	CONTROL BOX - Prop. B/B 2 Switch
		8402392	CONTROL BOX - Prop. B/B 3 Switch
		8402393	CONTROL BOX - Prop. 3 Switch
1	1	8402189	PANEL MTG SHELL
2	3*	8402024	SWITCH COVER
3	1	8402246	JOYSTICK (4 AXIS)
4	1	8402149	GLAND - PLASTIC
5	1	43022.47	CONNECTOR
6	1	8402237	LOOM POWER SUPPLY
7	1	1290494	DECAL - SWITCH BOX
8	1	41845.41	LED
9	1	8402349	CONTROL BOX
10	1	43034.02	BLADE FUSE - 20 amp

\* Control Boxes 8402390 & 8402391 use 2 off only

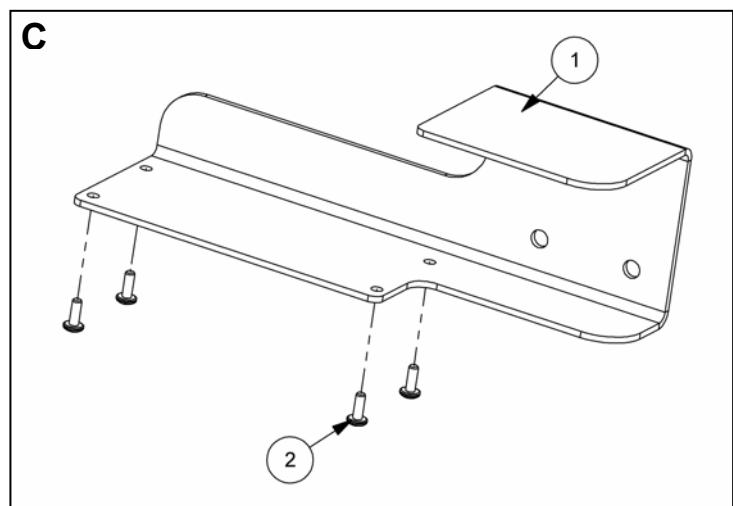
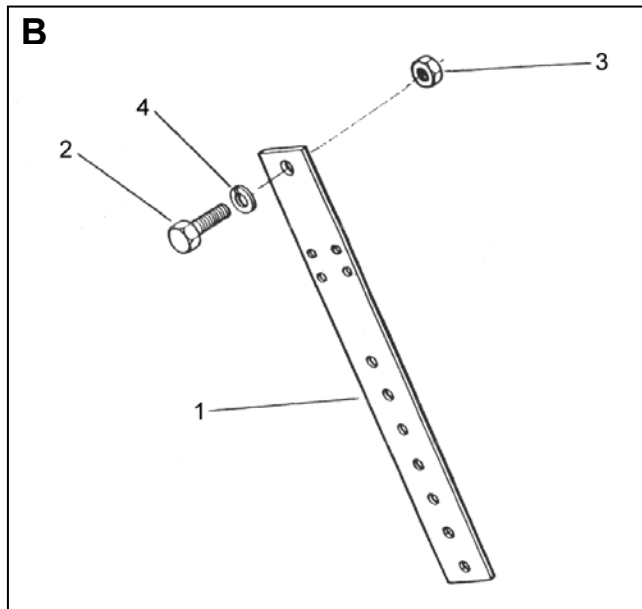
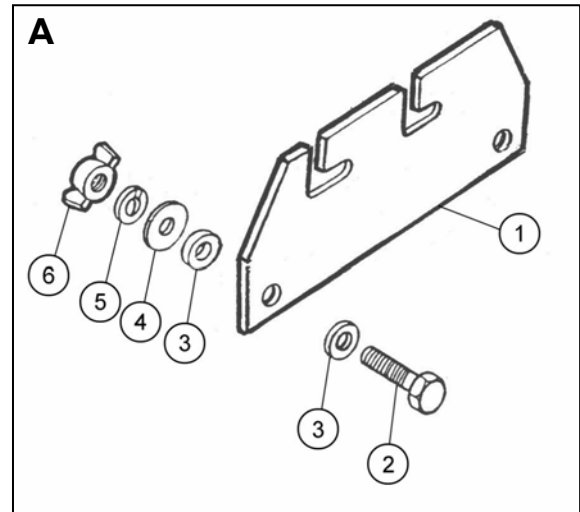


**Modules:**

7313282 – Cable Controls (*Diagram A*)

7109319 – Electric Switchbox (*Diagram B*)

42442.01 – Proportional Control (*Diagram C*)



**CONTROL MOUNTINGS**

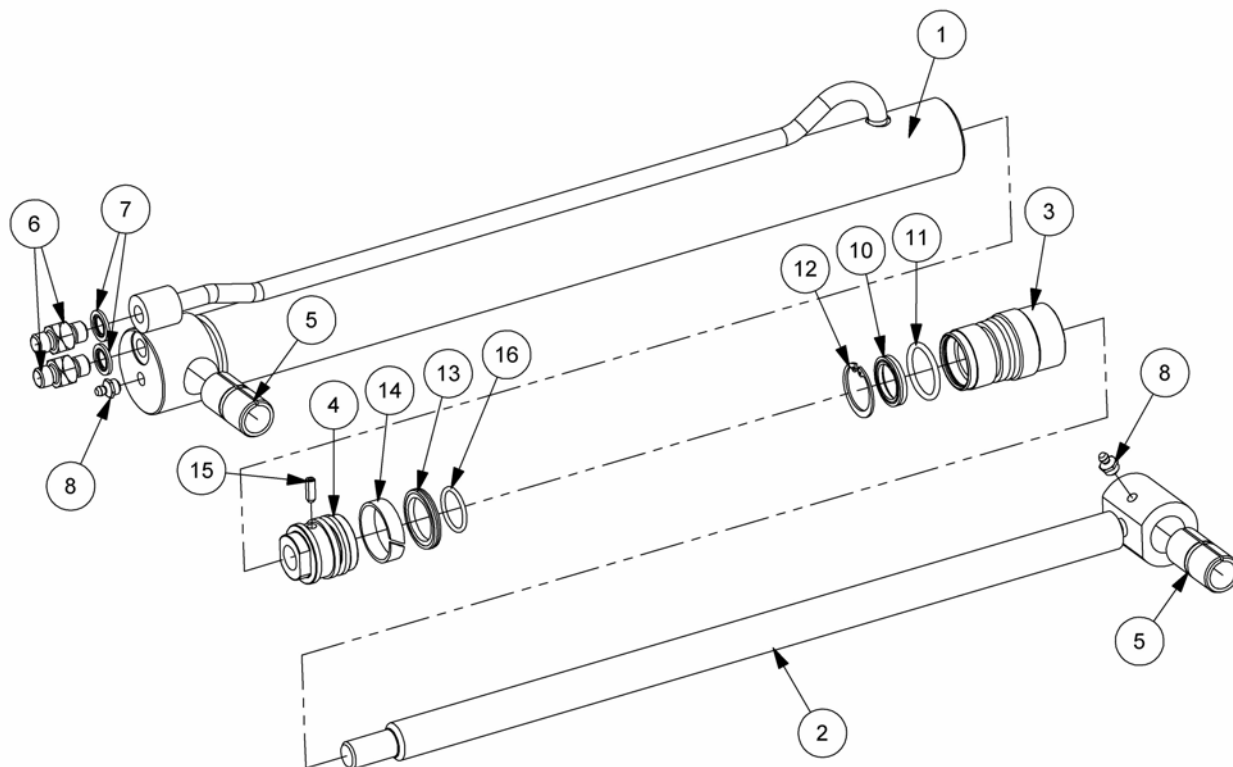
REF.	QTY.	PART NO.	DESCRIPTION
<b>A</b>		<b>7313282</b>	<b>CABLE CONTROL UNIT MOUNTING</b>
1	1	42491.01	BRACKET
2	2	9313094	SETSCREW
3	4	03.152.01	RUBBER WASHER
4	2	9100104	PLAIN WASHER
5	2	9100204	SPRING WASHER
6	2	9193004	WINGNUT

REF.	QTY.	PART NO.	DESCRIPTION
<b>B</b>		<b>7109319</b>	<b>ELECTRIC SWITCHBOX CONTROL MOUNTING</b>
1	1	7109146	PILLAR
2	1	9311086	SETSCREW
3	1	0111006	NUT
4	1	0100206	SPRING WASHER

REF.	QTY.	PART NO.	DESCRIPTION
<b>C</b>		<b>42442.01</b>	<b>PROPORTIONAL CONTROL BOX</b>
1	1	42442.01	CONTROL BOX BRACKET
2	4	2800243	SELF TAPPING SCREW

**ANGLE RAM ASSEMBLY**

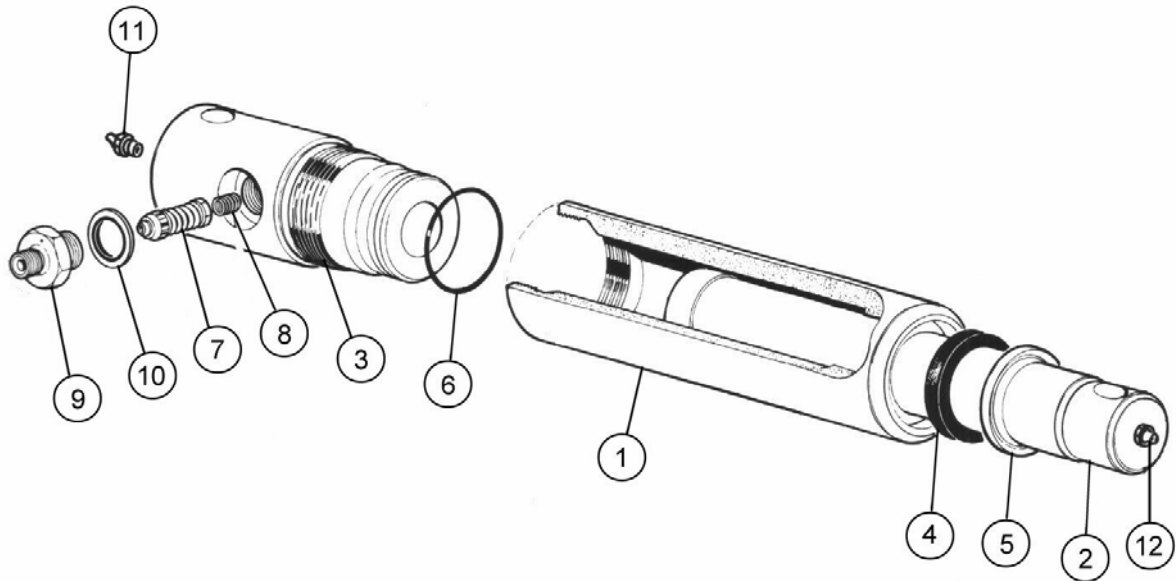
Module:  
21856.01



REF.	QTY.	PART No.	DESCRIPTION
		<b>21856.01</b>	<b>ANGLE RAM ASSEMBLY</b>
1	1	21859.01	RAM BARREL
2	1	21857.01	PISTON ROD
3	1	1090273	GLAND HOUSING
4	1	21858.01	PISTON
5	1	1090005	RAM BUSH
6	2	8130037	ADAPTOR RESTRICTOR
7	2	8650102	BONDED SEAL
8	2	0901121	GREASE NIPPLE
9	1	8129161	SCRAPER RING
10	1	8629162	GLAND SEAL
11	1	8600123	O RING
12	1	0411234	CIRCLIP
13	1	8629240	PISTON SEAL
14	1	8629241	BEARING RING
15	1	42775.03	DOWEL
16	1	8600120	O RING

**BREAKAWAY RAM ASSEMBLY**

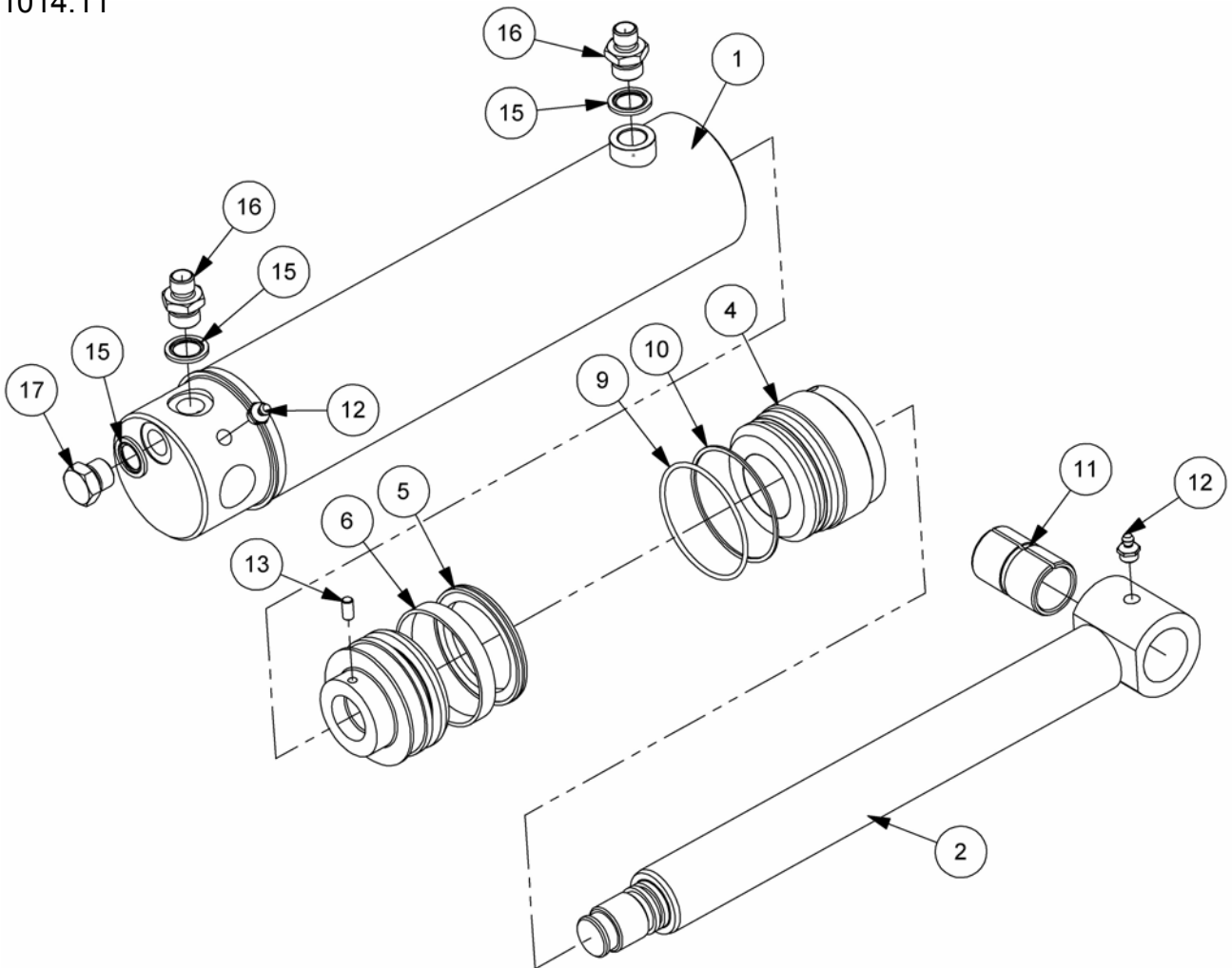
Module:  
41322.02



REF.	QTY.	PART No.	DESCRIPTION
		<b>41322.02</b>	<b>BREAKAWAY RAM ASSEMBLY</b>
1	1	7191308	RAM BARREL
2	1	7191051	ROD
3	1	7191299	RAM BASE
4	1	8629158	ROD SEAL
5	1	8529152	WIPER SEAL
6	1	8600302	O RING
7	1	8130189	RELIEF VALVE
8	1	8116011	SPRING
9	1	8130083	RELIEF VALVE BODY
10	1	8650104	BONDED SEAL
11	2	0901121	GREASER
12	1	8581360	ADAPTOR
13	1	8581363	SWIVEL ELBOW

**LIFT RAM ASSEMBLY**

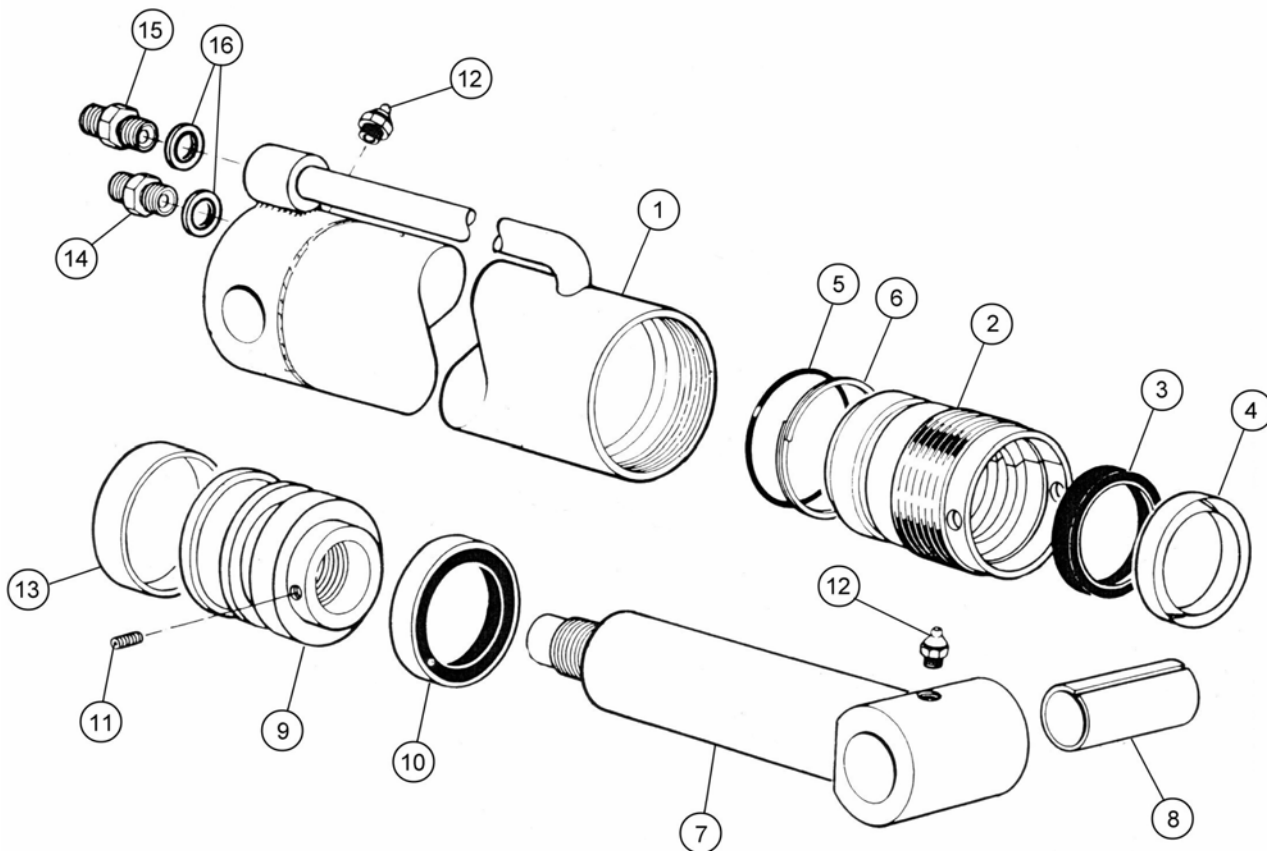
Module:  
41014.11



REF.	QTY.	PART No.	DESCRIPTION
		<b>41014.11</b>	<b>LIFT RAM ASSEMBLY</b>
1	1	41034.04	RAM BARREL
2	1	41035.04	PISTON ROD
3	1	7120383	PISTON
4	1	7120384	GLAND HOUSING
5	1	8629189	PISTON SEAL
6	1	8629190	GUIDE RING
7	1	8629164	GLAND SEAL
8	1	8629147	SCRAPER RING
9	1	8600429	O RING
10	1	8609429	AE RING
11	1	7105050	ROD END BUSH
12	2	0901124	GREASE NIPPLE - 67°
13	1	9363023	GRUB SCREW
14	1	8600403	O RING
15	3	8650103	BONDED SEAL
16	2	46518.08	RESTRICTOR UNION
17	1	8003001	ADAPTOR PLUG

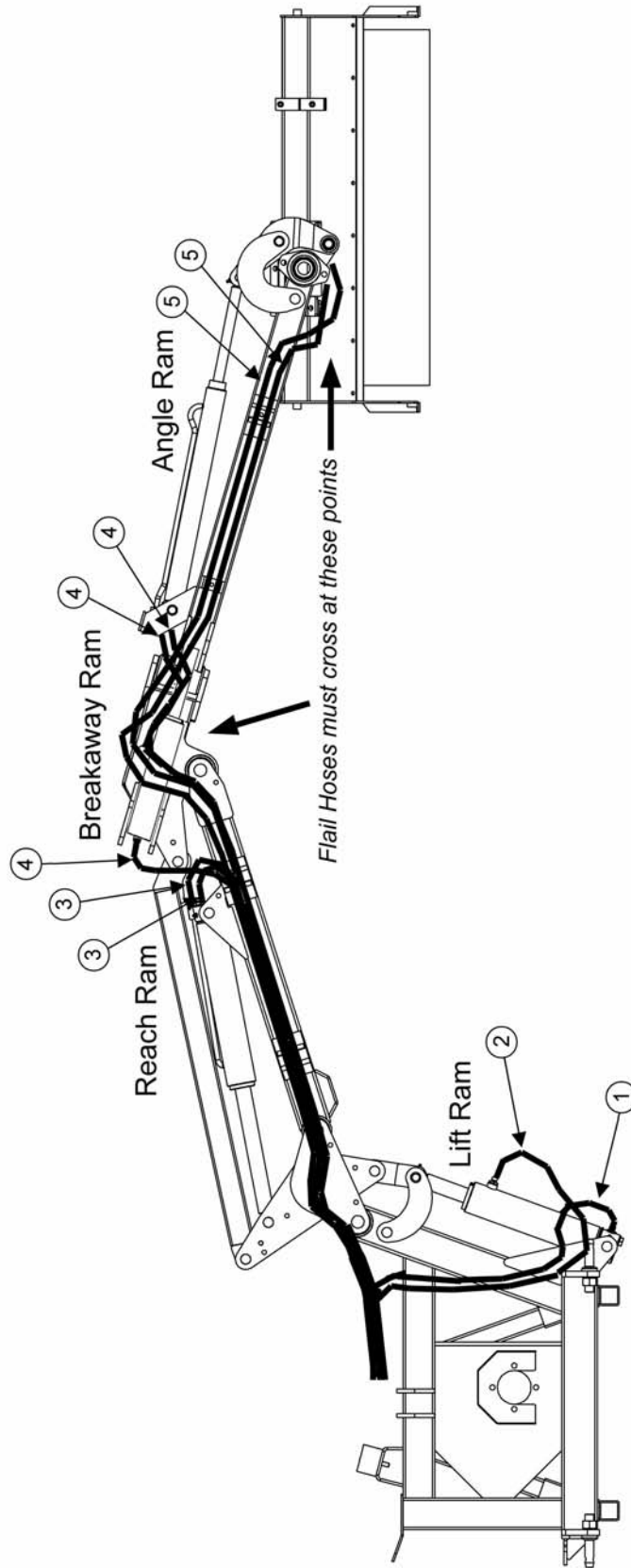
**REACH RAM ASSEMBLY**

Module:  
41015.03



REF.	QTY.	PART No.	DESCRIPTION
		<b>41015.05</b>	<b>REACH RAM ASSEMBLY</b>
1	1	41036.01	RAM BARREL
2	1	1186512	GLAND HOUSING
3	1	8629164	GLAND SEAL
4	1	8629147	WIPER SEAL
5	1	8600306	O RING
6	1	8609306	AE RING
7	1	41037.01	PISTON ROD
8	1	7105050	BUSH
9	1	7120368	PISTON
10	1	8629156	PISTON SEAL
11	1	9363023	GRUB SCREW
12	2	0901121	GREASER
13	1	8627157	GUIDE RING
14	1	8124101	RESTRICTOR UNION
15	1	8124105	RESTRICTOR UNION
16	2	8650103	BONDED SEAL
		<b>8699217</b>	<b>SEAL KIT</b>

Module:  
41320.12



*It is always advisable when replacing hoses to run the new hose alongside the old one to ensure the correct routing before removal of the old hose - failure to route the hose correctly may result in damage to the hose due to chaffing or pinching.*

**HYDRAULIC HOSE INSTALLATION**

REF.	QTY.	PART No.	DESCRIPTION
		<b>41320.12</b>	<b>HOSE KIT - Front Mount Models without Pump &amp; Valve</b>
1	1	10.002.25	HOSE - 1/4" BSP ST/90 x 1500mm <b>Lift Base</b>
2	1	10.002.26	HOSE - 1/4" BSP ST/90 x 1600mm <b>Lift Gland</b>
3	2	10.001.38	HOSE - 1/4" BSP FS/FS x 2800mm <b>Reach Base/Gland</b>
4	3	10.001.42	HOSE - 1/4" BSP ST/ST x 3200mm <b>Angle Base/Gland + B/way</b>
5	2	10.007.48	HOSE - 5/8" BSP FS/FS x 3800mm <b>Flail Head</b>

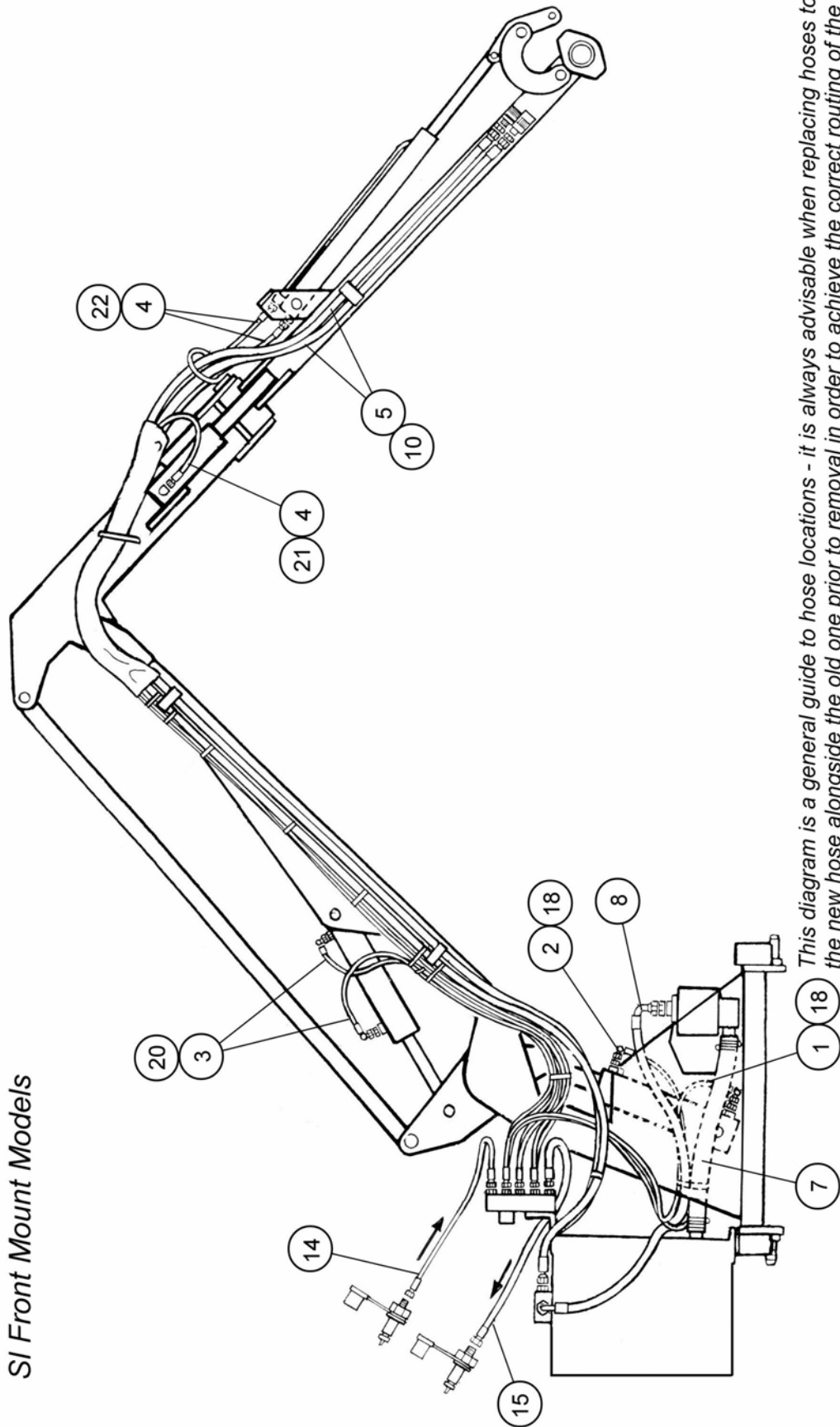


**HOSE KITS – SI F/Mount Models**

**Modules:**

41320.12 – R/H SI Models without Pump & Valve (Front Mount).

41320.15 – R/H SI Cable Models (Front Mount).



SI Front Mount Models

*This diagram is a general guide to hose locations - it is always advisable when replacing hoses to run the new hose alongside the old one prior to removal in order to achieve the correct routing of the hose.*

**HOSE KITS – SI/TI F/Mount Models**

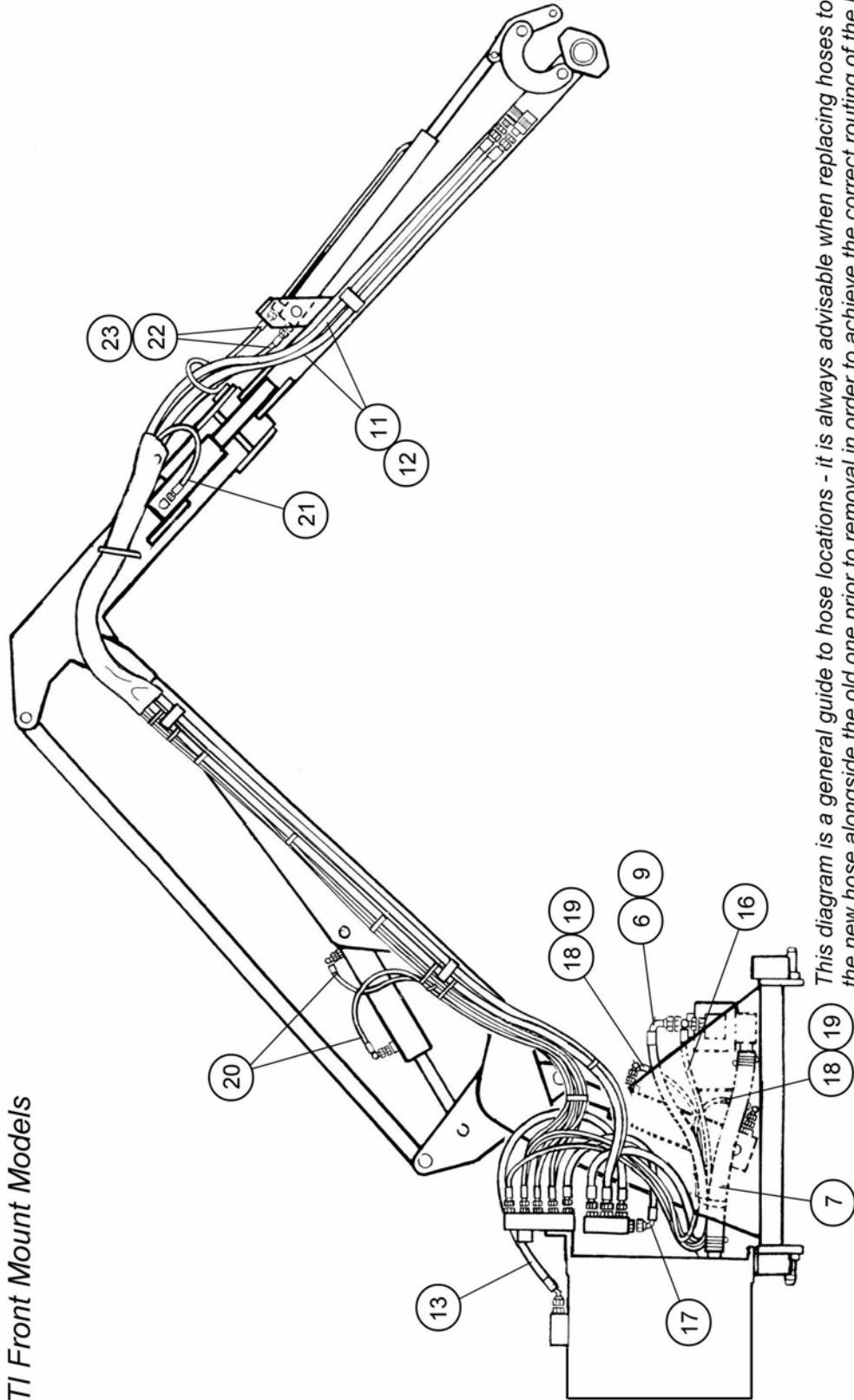
REF.	QUANTITY	PART No.	DESCRIPTION
		41320.12	HOSE KIT R/H F/MOUNT - No Valve & Pump Models
		41320.15	HOSE KIT R/H F/MOUNT - 1000rpm SI Cable Models
		41320.17	HOSE KIT R/H F/MOUNT - 1000rpm TI Cable Models
		41320.19	HOSE KIT R/H F/MOUNT - 1000rpm TI Electric Models
1	1 - - -	10.002.25	HOSE - 1/4" BSP FS/F90 x 1500mm <i>Lift Base</i>
2	1 - - -	10.002.26	HOSE - 1/4" BSP FS/F90 x 1600mm <i>Lift Gland</i>
3	2 - - -	10.001.38	HOSE - 1/4" BSP FS/FS x 2800mm <i>Reach Base &amp; Gland</i>
4	3 - - -	10.001.42	HOSE - 1/4" BSP FS/FS x 3200mm <i>Angle B &amp; G+ B/Way</i>
5	2 - - -	10.007.48	HOSE - 5/8" BSP FS/FS x 3800mm <i>Flail Hoses</i>
6	- - 1 -	10.008.22	HOSE - 5/8" BSP FS/F90 x 1200mm <i>Pump to Cable RCV</i>
7	- 1 1 1	8501139	HOSE - 1-1/4" BORE x 635mm <i>Suction</i>
8	- 1 - -	8501250	HOSE - 5/8" BSP FS/F135 x 52" <i>Pump to Tank</i>
9	- - - 1	10.007.19	HOSE - 5/8" BSP FS/FS x 950mm <i>Pump to RCV</i>
10	- 2 - -	10.007.45	HOSE - 5/8" BSP FS/FS x 3500mm <i>Flail Hoses</i>
11	- - 2 1	10.007.42	HOSE - 5/8" BSP FS/FS x 3200mm <i>Flail</i>
12	- - - 1	10.007.41	HOSE - 5/8" BSP FS/FS x 3100mm <i>Flail Return</i>
13	- - 1 1	10.008.12	HOSE - 5/8" BSP FS/F90 x 600mm <i>RCV Return</i>
14	- 1 - -	10.004.30	HOSE - 3/8" BSP FS/F90 x 2000mm <i>SI Supply</i>
15	- 1 - -	10.006.30	HOSE - 1/2" BSP FS/F90 x 2000mm <i>SI Return</i>
16	- - - 1	10.004.22	HOSE - 3/8" BSP FS/F90 x 1200mm <i>Pump to ACV</i>
17	- - - 1	10.006.13	HOSE - 1/2" BSP FS/F90 x 650mm <i>ACV to RCV Return</i>
18	- 2 2 -	10.002.22	HOSE - 1/4" BSP FS/F90 x 1200mm <i>Lift Base &amp; Gland</i>
19	- - - 2	10.002.21	HOSE - 1/4" BSP FS/F90 x 1100mm <i>Lift Base &amp; Gland</i>
20	- 2 2 2	10.001.32	HOSE - 1/4" BSP FS/FS x 2200mm <i>Reach Base &amp; Gland</i>
21	- 1 1 1	10.002.35	HOSE - 1/4" BSP FS/F90 x 2500mm <i>Breakaway</i>
22	- 2 2 -	10.001.34	HOSE - 1/4" BSP FS/FS x 2400mm <i>Angle Base &amp; Gland</i>
23	- - - 2	10.001.33	HOSE - 1/4" BSP FS/FS x 2300mm <i>Angle Base &amp; Gland</i>

**HOSE KITS – TI F/Mount Models**

**Modules:**

41320.17 – R/H TI Cable Models (Front Mount).

41320.19 – R/H TI Electric Models (Front Mount).



*This diagram is a general guide to hose locations - it is always advisable when replacing hoses to run the new hose alongside the old one prior to removal in order to achieve the correct routing of the hose.*

**HOSE KITS – SI/TI F/Mount Models**

REF.	QUANTITY	PART No.	DESCRIPTION
		41320.12	HOSE KIT R/H F/MOUNT - No Valve & Pump Models
		41320.15	HOSE KIT R/H F/MOUNT - 1000rpm SI Cable Models
		41320.17	HOSE KIT R/H F/MOUNT - 1000rpm TI Cable Models
		41320.19	HOSE KIT R/H F/MOUNT - 1000rpm TI Electric Models
1	1 - - -	10.002.25	HOSE - 1/4" BSP FS/F90 x 1500mm <i>Lift Base</i>
2	1 - - -	10.002.26	HOSE - 1/4" BSP FS/F90 x 1600mm <i>Lift Gland</i>
3	2 - - -	10.001.38	HOSE - 1/4" BSP FS/FS x 2800mm <i>Reach Base &amp; Gland</i>
4	3 - - -	10.001.42	HOSE - 1/4" BSP FS/FS x 3200mm <i>Angle B &amp; G+ B/Way</i>
5	2 - - -	10.007.48	HOSE - 5/8" BSP FS/FS x 3800mm <i>Flail Hoses</i>
6	- - 1 -	10.008.22	HOSE - 5/8" BSP FS/F90 x 1200mm <i>Pump to Cable RCV</i>
7	- 1 1 1	8501139	HOSE - 1-1/4" BORE x 635mm <i>Suction</i>
8	- 1 - -	8501250	HOSE - 5/8" BSP FS/F135 x 52" <i>Pump to Tank</i>
9	- - - 1	10.007.19	HOSE - 5/8" BSP FS/FS x 950mm <i>Pump to RCV</i>
10	- 2 - -	10.007.45	HOSE - 5/8" BSP FS/FS x 3500mm <i>Flail Hoses</i>
11	- - 2 1	10.007.42	HOSE - 5/8" BSP FS/FS x 3200mm <i>Flail</i>
12	- - - 1	10.007.41	HOSE - 5/8" BSP FS/FS x 3100mm <i>Flail Return</i>
13	- - 1 1	10.008.12	HOSE - 5/8" BSP FS/F90 x 600mm <i>RCV Return</i>
14	- 1 - -	10.004.30	HOSE - 3/8" BSP FS/F90 x 2000mm <i>SI Supply</i>
15	- 1 - -	10.006.30	HOSE - 1/2" BSP FS/F90 x 2000mm <i>SI Return</i>
16	- - - 1	10.004.22	HOSE - 3/8" BSP FS/F90 x 1200mm <i>Pump to ACV</i>
17	- - - 1	10.006.13	HOSE - 1/2" BSP FS/F90 x 650mm <i>ACV to RCV Return</i>
18	- 2 2 -	10.002.22	HOSE - 1/4" BSP FS/F90 x 1200mm <i>Lift Base &amp; Gland</i>
19	- - - 2	10.002.21	HOSE - 1/4" BSP FS/F90 x 1100mm <i>Lift Base &amp; Gland</i>
20	- 2 2 2	10.001.32	HOSE - 1/4" BSP FS/FS x 2200mm <i>Reach Base &amp; Gland</i>
21	- 1 1 1	10.002.35	HOSE - 1/4" BSP FS/F90 x 2500mm <i>Breakaway</i>
22	- 2 2 -	10.001.34	HOSE - 1/4" BSP FS/FS x 2400mm <i>Angle Base &amp; Gland</i>
23	- - - 2	10.001.33	HOSE - 1/4" BSP FS/FS x 2300mm <i>Angle Base &amp; Gland</i>

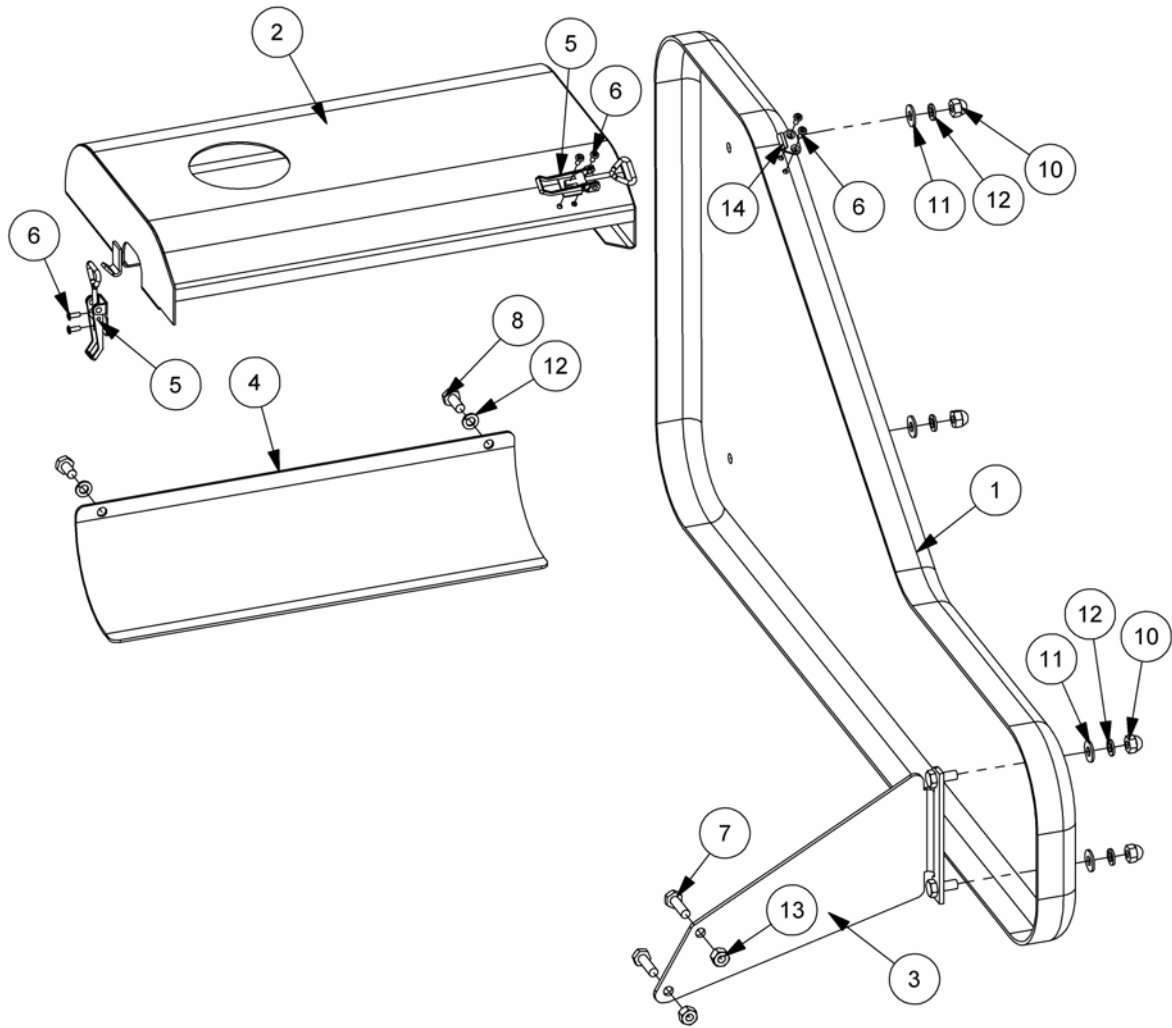


**LIFT FLOAT KIT**

REF.	QTY.	PART No.	DESCRIPTION
		<b>8126346</b>	<b>LIFT FLOAT KIT</b>
1	1	8126042	ACCUMULATOR
2	1	21924.01	ACCUMULATOR BRACKET
3	1	8650322	BONDED SEAL
4	1	G2410380	ADAPTOR
5	1	8126287	LIFT FLOAT VALVE BLOCK
6	3	8650103	BONDED SEAL
7	1	8130183	VALVE POPPET
8	1	8126037	RESPONSE PISTON
9	1	8116011	SPRING
10	2	8581115	ADAPTOR
11	2	9143005	SELF-LOCKING NUT
12	2	9213085	BOLT
13	1	8402159	* HARNESS
14	1	1290061	* OPERATION DECAL
15	1	10.002.11	* HOSE - 1/4" BSP FS/F90 x 550mm
16	1	8581190	ADAPTOR ELBOW - 90°

\* *not illustrated*

Module:  
7490798



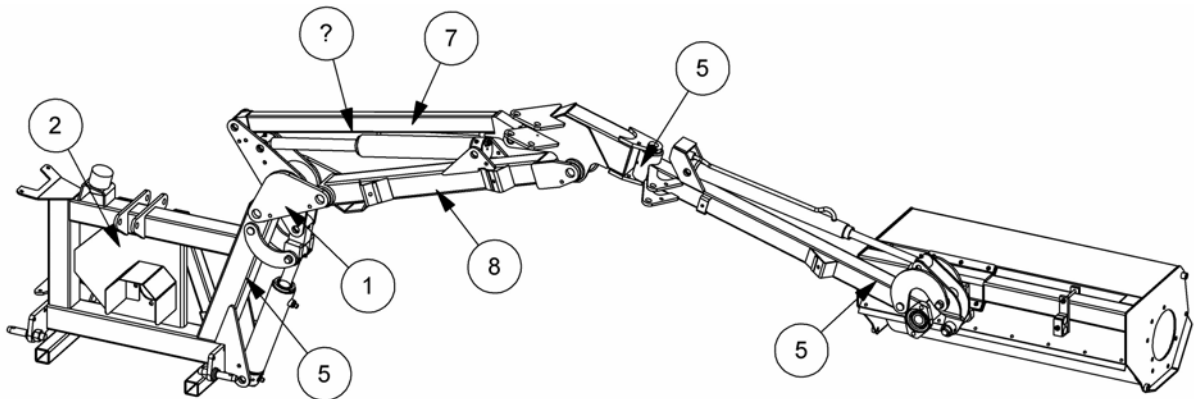
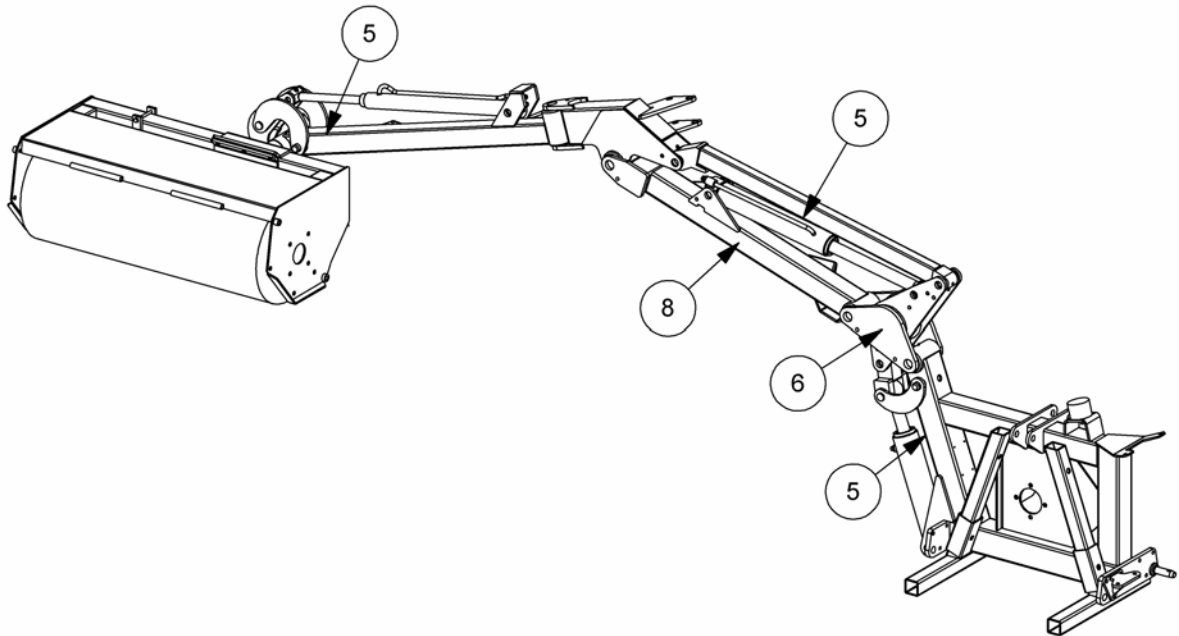
**COVERS ASSEMBLY**

REF.	QTY.	PART No.	DESCRIPTION
		<b>7490798</b>	<b>COVERS ASSEMBLY</b>
1	1	45629.01	COVER MOULDING
2	1	45633.01	TANK COVER
3	1	45636.05	COVER BRACKET
4	1	45638.01	TANK FAIRING
5	2	43449.02	OVERCENTRE FASTENER
6	6	1069088	POP RIVET
7	2	9313075	SETSCREW
8	1	9313055	SETSCREW
9	1	9313045	SETSCREW
10	4	9100025	DOME NUT
11	4	9100105	FLAT WASHER
12	6	9100205	SPRING WASHER
13	2	9143005	SELF-LOCKING NUT
14	1	46007.01	HOOK - OVERCENTRE FASTENER



**MACHINE DECALS**

Module:  
7490796

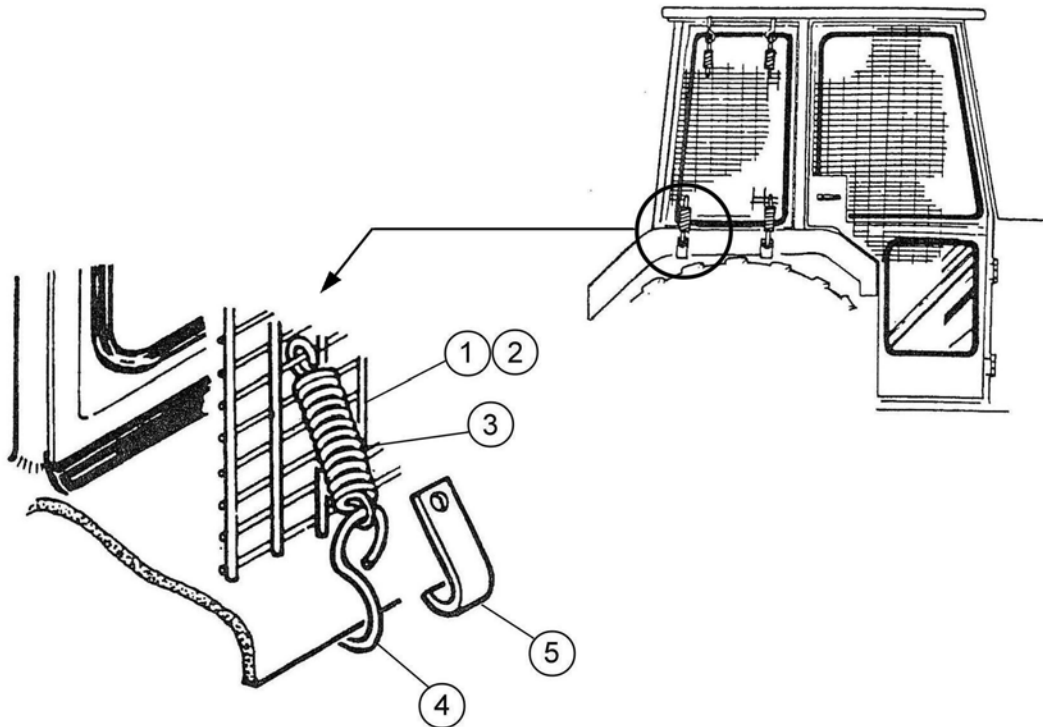


**MACHINE DECALS**

REF.	QTY.	PART No.	DESCRIPTION
		<b>7490796</b>	<b>DECAL KIT - PA35 Front Mount</b>
1	1	7105130	DECAL - READ THE BOOK FIRST
2	1	7135295	DECAL - TIGHTEN CHECK CHAINS
3	1	1290074	DECAL - SLING HERE
4	1	1290352	DECAL - CAB (ENGLISH/FRENCH)
5	5	02962764	DECAL - PINCH POINT
6	1	1290296	DECAL - LOGO
7	1	1290403	DECAL - BREAKAWAY WARNING
8	2	1290255	DECAL - McCONNEL

**CAB GUARD KIT**

Module:  
7313324



REF.	QTY.	PART No.	DESCRIPTION
		<b>7313324</b>	<b>CAB GUARD &amp; MOUNTING KIT</b>
1	1	7313049	GUARD PANEL - LARGE
2	1	7313050	GUARD PANEL - SMALL
3	12	6001064	SPRING
4	6	6001065	HOOK
5	6	7313051	HOOK



McConnel Limited, Temeside Works, Ludlow, Shropshire SY8 1JL. England.  
Telephone: 01584 873131. Facsimile: 01584 876463. [www.mcconnel.com](http://www.mcconnel.com)