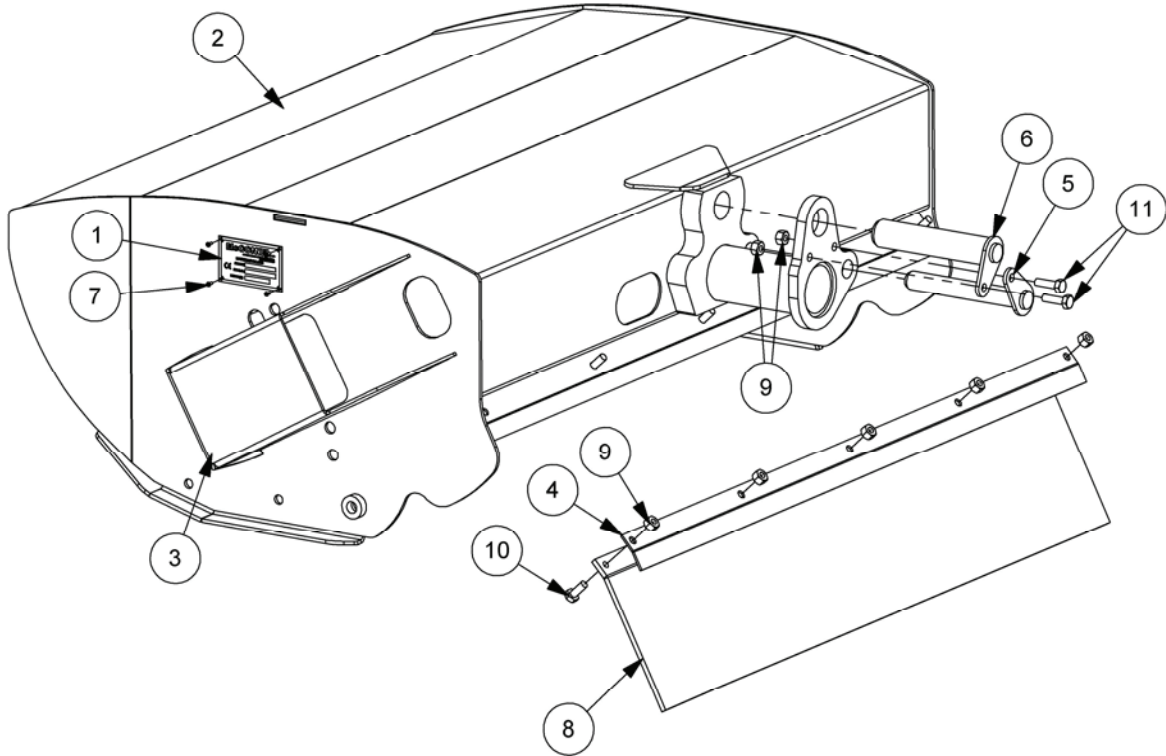


# FLAIL HEAD CASING ASSEMBLY

**Modules:**

21969.01 – 1.0m Build

21969.02 – 1.2m Build



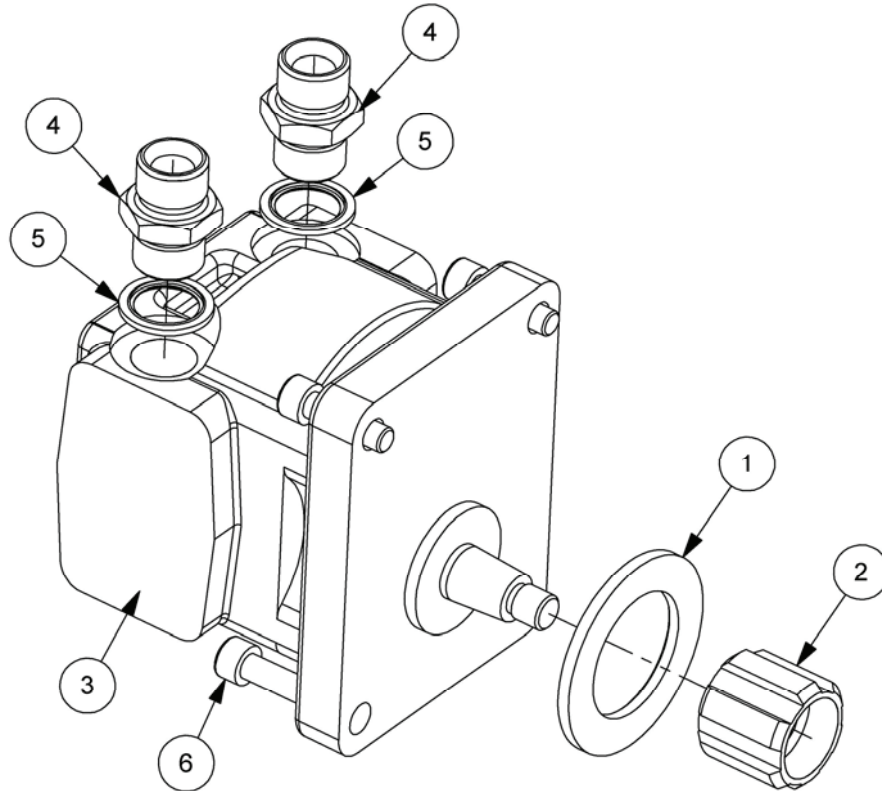
REF.	QTY.	PART No.	DESCRIPTION
		<b>21969.01</b>	<b>1.0M FLAILHEAD CASING ASSEMBLY</b>
		<b>21969.02</b>	<b>1.2M FLAILHEAD CASING ASSEMBLY</b>
	<i>1.0M</i>	<i>1.2M</i>	
1	1	1	1335246 SERIAL No. PLATE
2	1	-	21962.01 FLAIL HEAD CASING - 1.0M Build
	-	1	21962.02 FLAIL HEAD CASING - 1.2M Build
3	1	1	21966.01 MOTOR COVER
4	1	-	21968.01 CLAMP STRIP - 1.0M Build
	-	1	21968.02 CLAMP STRIP - 1.2M Build
5	1	1	21970.01 SLAVE LINK PIN
6	1	1	21971.01 HEAD PIVOT PIN
7	4	4	7103230 POP RIVET
8	1	-	7191300 REAR FLAP - 1.0M Build
	-	1	7191361 REAR FLAP - 1.2M Build
9	7	8	9143005 SELF-LOCKING NUT
10	5	6	9313055 SETSCREW
11	2	2	9313075 SETSCREW
12	2	2	7196045 HOSE TIE

# FLAILHEAD MOTORS

**Modules:**

21965.01 – Std. Build

21965.02 – JIC Build



**FLAILHEAD MOTORS**

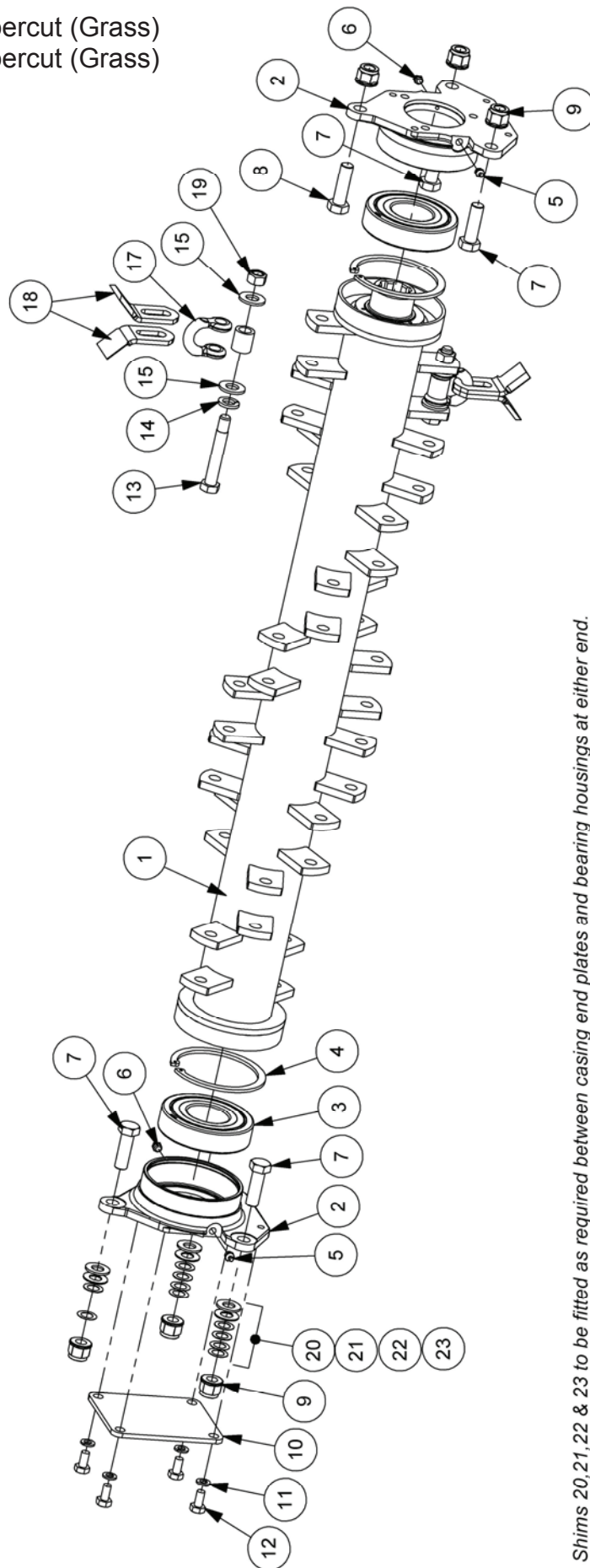
REF.	QTY.	PART No.	DESCRIPTION
		<b>21965.01</b>	<b>FLAILHEAD MOTOR ASSEMBLY (Std.)</b>
		<b>21965.02</b>	<b>FLAILHEAD MOTOR ASSEMBLY (JIC)</b>
1	1	7190015	LOCATING WASHER
2	1	7190573	DRIVE COUPLING - 6 SPLINE
3	1	8301303	MOTOR (BACK PORTED)
4	2	8581136	ADAPTOR - <i>Std. build</i>
	2	8581167	ADAPTOR - <i>JIC build</i>
5	2	8650106	BONDED SEAL
6	4	9300144	CAPSCREW
		<b>8699236</b>	<b>SEAL KIT</b>
		<b>8629209</b>	<b>SHAFT SEAL</b>

# ROTOR ASSEMBLY

**Modules:**

21959.02 – 1.0M Supercut (Grass)

21959.05 – 1.2M Supercut (Grass)



*Shims 20, 21, 22 & 23 to be fitted as required between casing end plates and bearing housings at either end.*



**ROTOR ASSEMBLY**

REF.	QTY.		PART No.	DESCRIPTION
	1.0M	1.2M		
			<b>21959.02</b>	<b>1.0M ROTOR ASSEMBLY - S/CUT GRASS</b>
			<b>21959.05</b>	<b>1.2M ROTOR ASSEMBLY - S/CUT GRASS</b>
1	1	-	7198345	SUPERCUT ROTOR - 1.0M Build
	-	1	7198346	SUPERCUT ROTOR - 1.2M Build
2	2	2	7190261	BEARING HOUSING
3	2	2	0600018	BALL BEARING
4	2	2	7190022	CIRCLIP - INTERNAL
5	2	2	0901121	GREASE NIPPLE - STRAIGHT
6	2	2	0901125	GREASE NIPPLE - 45°
7	5	5	9200025	BOLT
8	1	1	9200023	BOLT
9	6	6	9100024	SELF-LOCKING FLANGE NUT
10	1	1	7190444	COVER PLATE
11	4	4	9100205	SPRING WASHER
12	4	4	9313045	SETSCREW
13	20	24	05.775.10	BOLT - SPECIAL
14	20	24	9100207	SPRING WASHER
15	40	48	05.281.04	FLAT WASHER
16	20	24	02.807.01	SPACER
17	20	24	05.895.01	SHACKLE
18	40	48	7190166	GRASS FLAIL
19	20	24	05.968.06	SELF LOCKING NUT - THIN
20	3	3	7191098	* SHIM - 1.5mm
21	3	3	7191099	* SHIM - 2.5mm
22	5	5	8121043	* SHIM - 0.4mm
23	5	5	8121044	* SHIM - 0.6mm

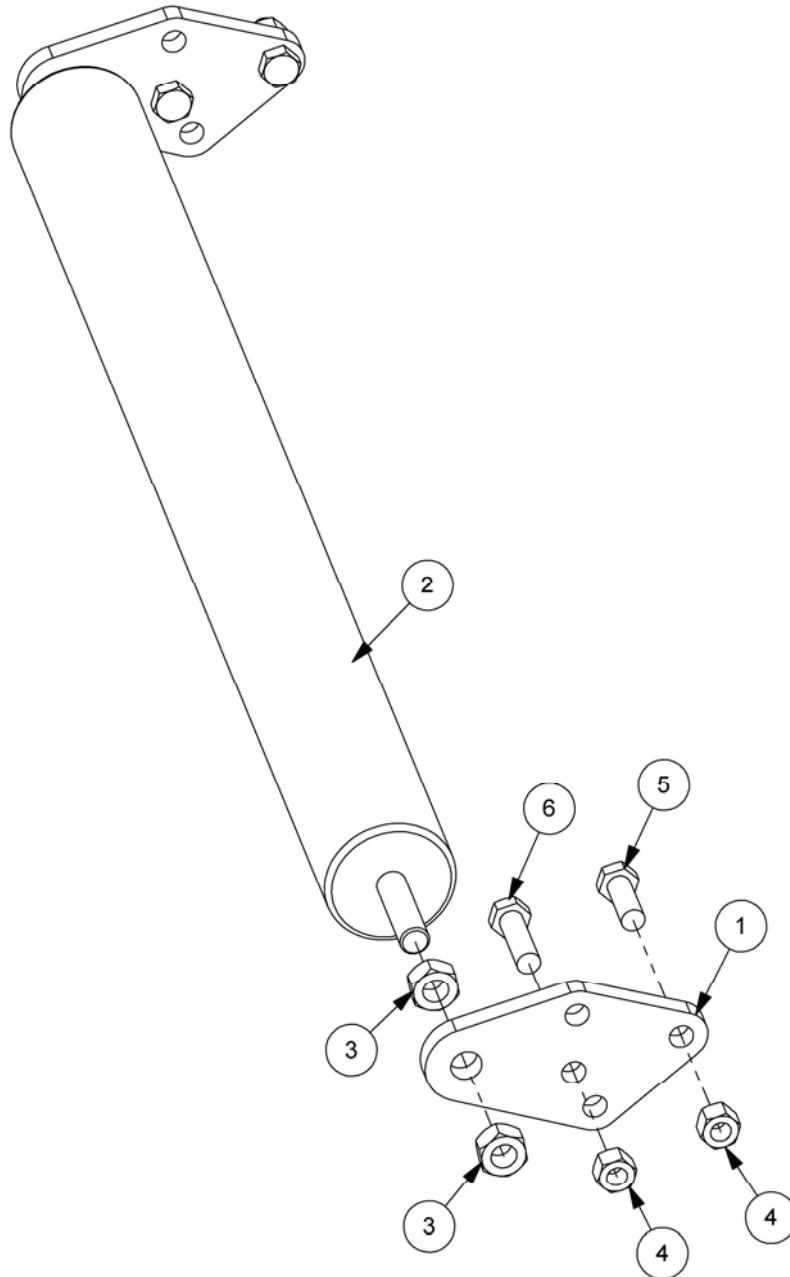
\* *Fit as required*

**ROLLER ASSEMBLIES**

**Modules:**

21960.01 – 1.0M Roller

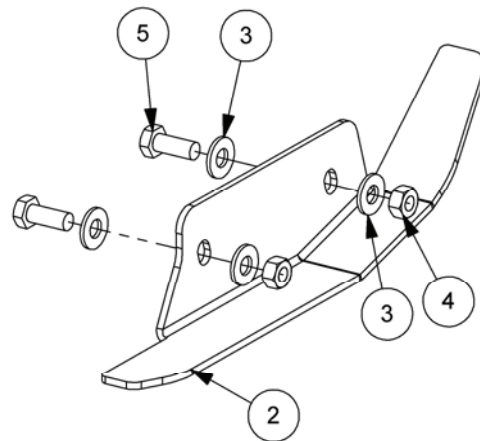
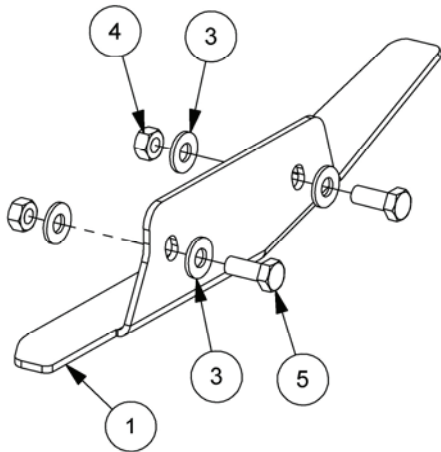
21960.02 – 1.2M Roller



REF.	QTY.	PART No.	DESCRIPTION
		<b>21960.01</b>	<b>1.0M ROLLER ASSEMBLY</b>
		<b>21960.02</b>	<b>1.2M ROLLER ASSEMBLY</b>
1	2	21967.01	ROLLER BRACKET
2	1	41301.02	ROLLER - 1.0M Build
	1	41301.03	ROLLER - 1.2M Build
3	4	9113008	NUT
4	4	9143007	SELF-LOCKING NUT
5	2	9313097	SETSCREW
6	2	9313117	SETSCREW

### SKID KIT (Optional Extra)

Module:  
7146751



REF.	QTY.	PART No.	DESCRIPTION
		<b>7146751</b>	<b>SKID KIT (Optional Extra)</b>
1	1	22069.01	SKID - L/H
2	1	22069.02	SKID - R/H
3	8	9100106	FLAT WASHER
4	4	9143006	SELF-LOCKING NUT
5	4	9313066	SETSCREW