
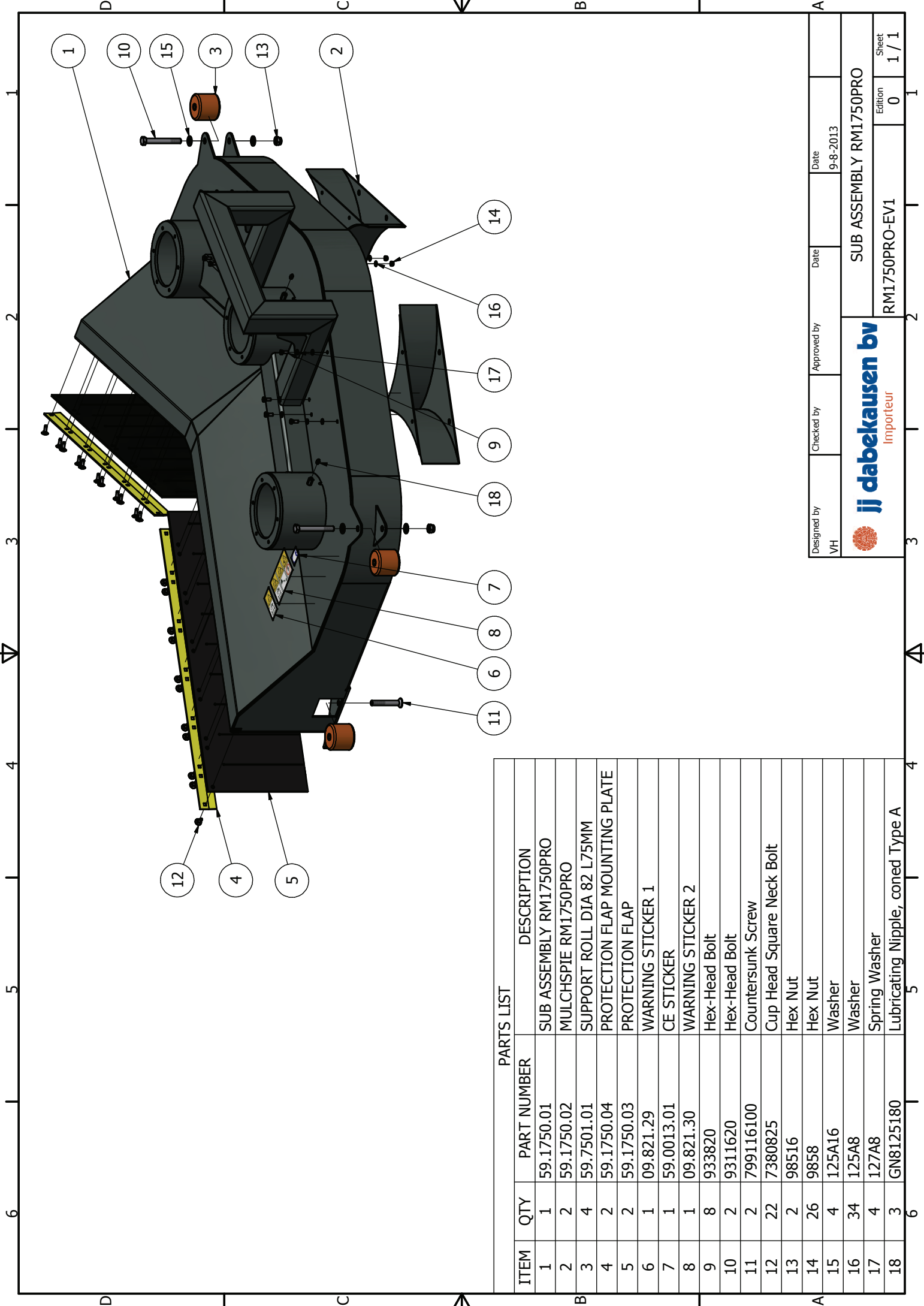


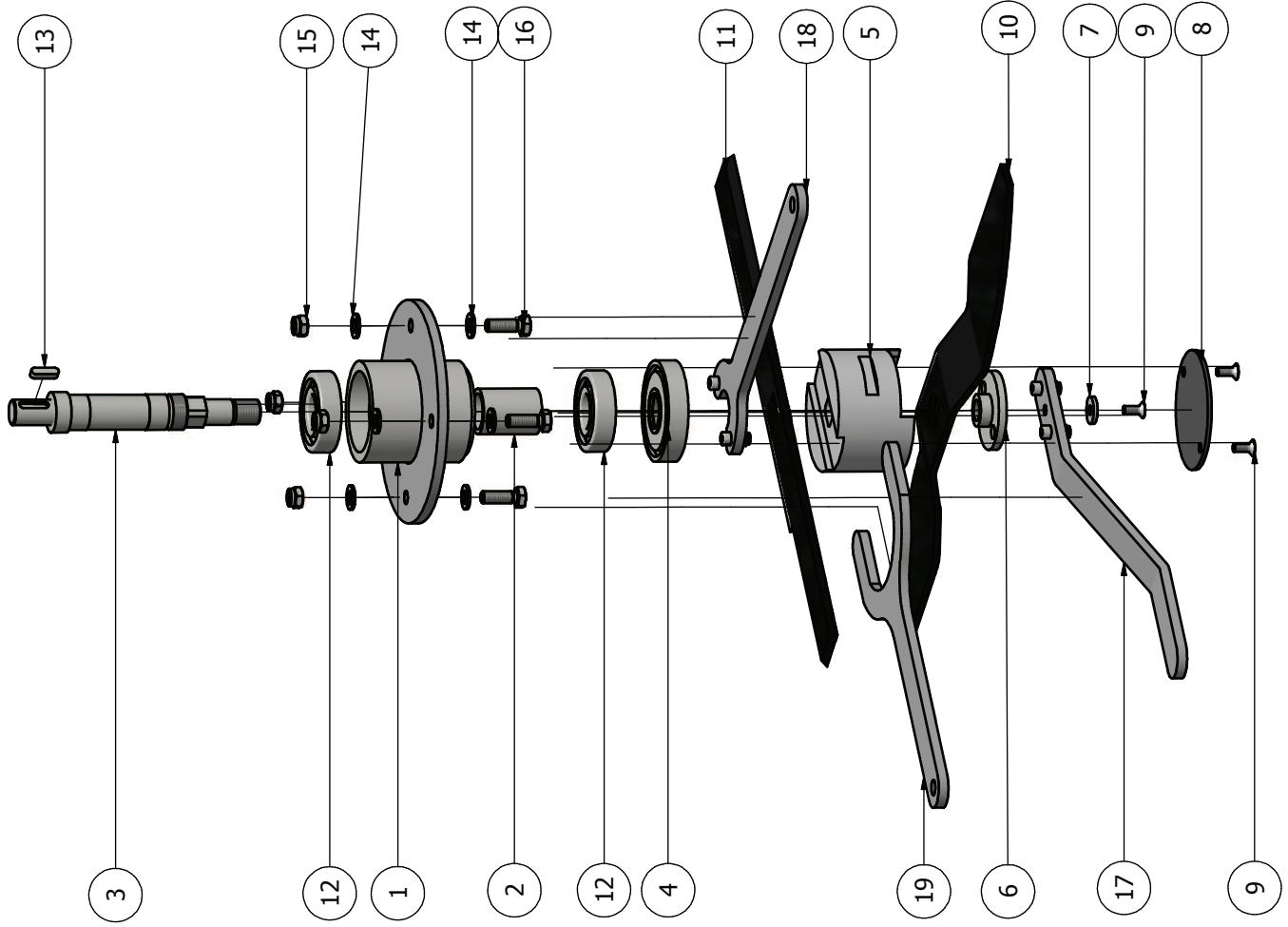
PARTS LIST			
ITEM	QTY	PART NUMBER	DESCRIPTION
1	1	RM1750PRO-EV1	SUB ASSEMBLY RM1750PRO
2	1	RM1750PRO-EV2	ROTOR ASSEMBLY LEFT RM1750RPO
3	1	RM1750PRO-EV3	ROTOR ASSEMBLY CENTER RM1750PRO
4	1	RM1750PRO-EV4	ROTOR ASSEMBLY RIGHT RM1750PRO
5	3	RM1750PRO-EV5	MOTOR ASSEMBLY RM1750PRO
Designed by VH		Checked by	Approved by
		Date	Date 9-8-2013
 <b>jj dabekausen bv</b> Importeur		ASSEMBLY RM1750PRO	
		RM1250PRO-EV0	Edition 0 Sheet 1 / 1



**PARTS LIST**

ITEM	QTY	PART NUMBER	DESCRIPTION
1	1	59.1750.01	SUB ASSEMBLY RM1750PRO
2	2	59.1750.02	MULCHSPIE RM1750PRO
3	4	59.7501.01	SUPPORT ROLL DIA 82 L75MM
4	2	59.1750.04	PROTECTION FLAP MOUNTING PLATE
5	2	59.1750.03	PROTECTION FLAP
6	1	09.821.29	WARNING STICKER 1
7	1	59.0013.01	CE STICKER
8	1	09.821.30	WARNING STICKER 2
9	8	933820	Hex-Head Bolt
10	2	9311620	Hex-Head Bolt
11	2	799116100	Countersunk Screw
12	22	7380825	Cup Head Square Neck Bolt
13	2	98516	Hex Nut
14	26	9858	Hex Nut
15	4	125A16	Washer
16	34	125A8	Washer
17	4	127A8	Spring Washer
18	3	GN8125180	Lubricating Nipple, coned Type A

Designed by VH	Checked by	Approved by	Date 9-8-2013
		<b>SUB ASSEMBLY RM1750PRO</b>	
RM1750PRO-EV1		Edition 0	
1 / 1		Sheet 1 / 1	



PARTS LIST

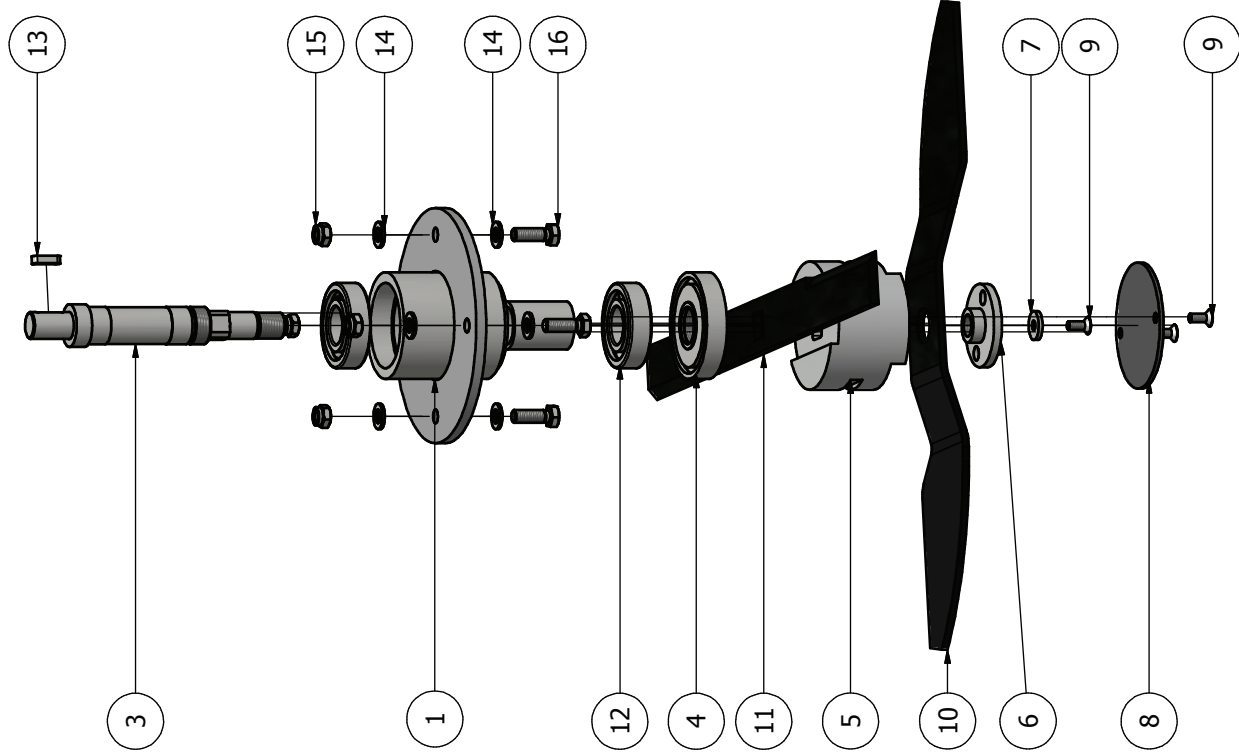
ITEM	QTY	PART NUMBER	DESCRIPTION
1	1	59.0004.01	BEARING HOUSING
2	1	59.0002.01	SPACER BEARINGS
3	1	59.0001.02	SHAFT ROTOR RM1250pro
4	1	59.0035.01	LOCKNUT TOP M35
5	1	59.0003.01	CLAMP KNIFE BLADE
6	1	59.0024.01	LOCK NUT M24
7	1	59.0008.01	RETAINER RING M8
8	1	59.005.01	COVER PLATE ROTOR
9	3	7991820	Countersunk Screw
10	1	59.2018.29	KNIFE BLADE BOTTOM LEFT
11	1	59.2018.27	ROTOR BLADE TOP LEFT
12	2	59.6307.01	Deep groove ball bearings single row with two Z shields
13	1	59.0471.01	Parallel Key
14	8	125A12	Washer
15	4	98512	Hex Nut
16	4	9331235	Hex-Head Bolt
17	1	59.0014.01	WRENCH LOCK NUT BLADES
18	1	59.0015.01	WRENCH TOP LOCK NUT
19	1	59.0016.01	WRENCH CLAMP KNIFE BLADE

Designed by	Checked by	Approved by	Date
VH			9-8-2013


**jj dabekausen bv**  
 Importeur


ROTOR ASSEMBLY LEFT RM1750PRO  
 RM1750PRO-EV2

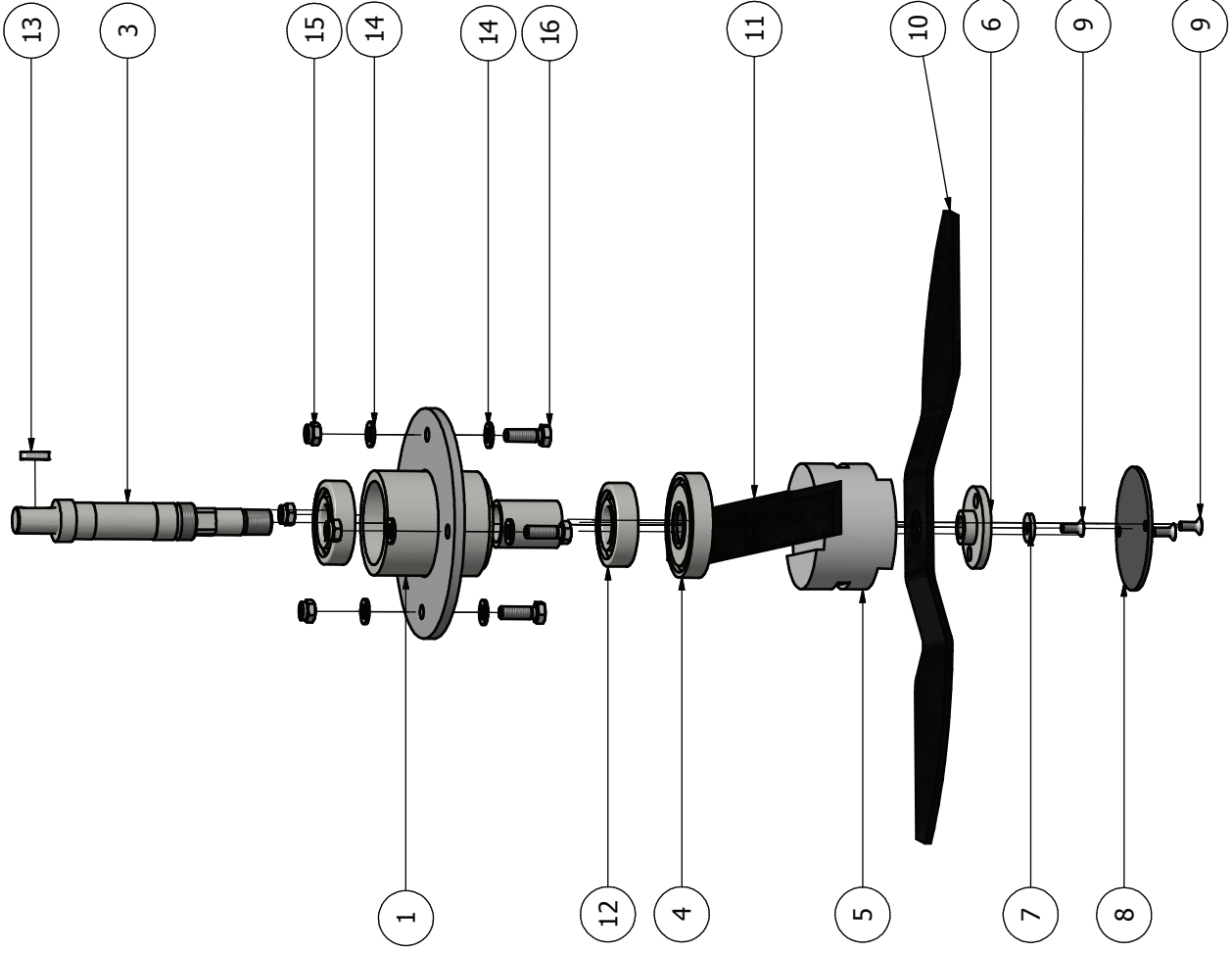
Edition 0  
 Sheet 1 / 1



PARTS LIST			
ITEM	QTY	PART NUMBER	DESCRIPTION
1	1	59.0004.01	BEARING HOUSING
2	1	59.0002.01	SPACER BEARINGS
3	1	59.0001.02	SHAFT ROTOR RM1250pro
4	1	59.0035.01	LOCKNUT TOP M35
5	1	59.0003.01	CLAMP KNIFE BLADE
6	1	59.0024.01	LOCK NUT M24
7	1	59.0008.01	RETAINER RING M8
8	1	59.005.01	COVER PLATE ROTOR
9	3	7991820	Countersunk screw
10	1	59.2018.30	KNIFE BLADE BOTTOM RIGHT
11	1	59.2018.28	ROTOR BLADE TOP RIGHT
12	2	59.6307.01	Deep groove ball bearing single row Z shields
13	1	59.0471.01	Parallel Key
14	8	125A12	Washer
15	4	98512	Hex Nut
16	4	9331235	Hex-Head Bolt

Designed by VH	Checked by	Approved by	Date 9-8-2013
 <b>jj dabekausen bv</b> Importeur		ROTOR ASSEMBLY CENTER RM1750PRO	
		RM1750PRO-EV3	
		Edition 0	Sheet 1 / 1



PARTS LIST

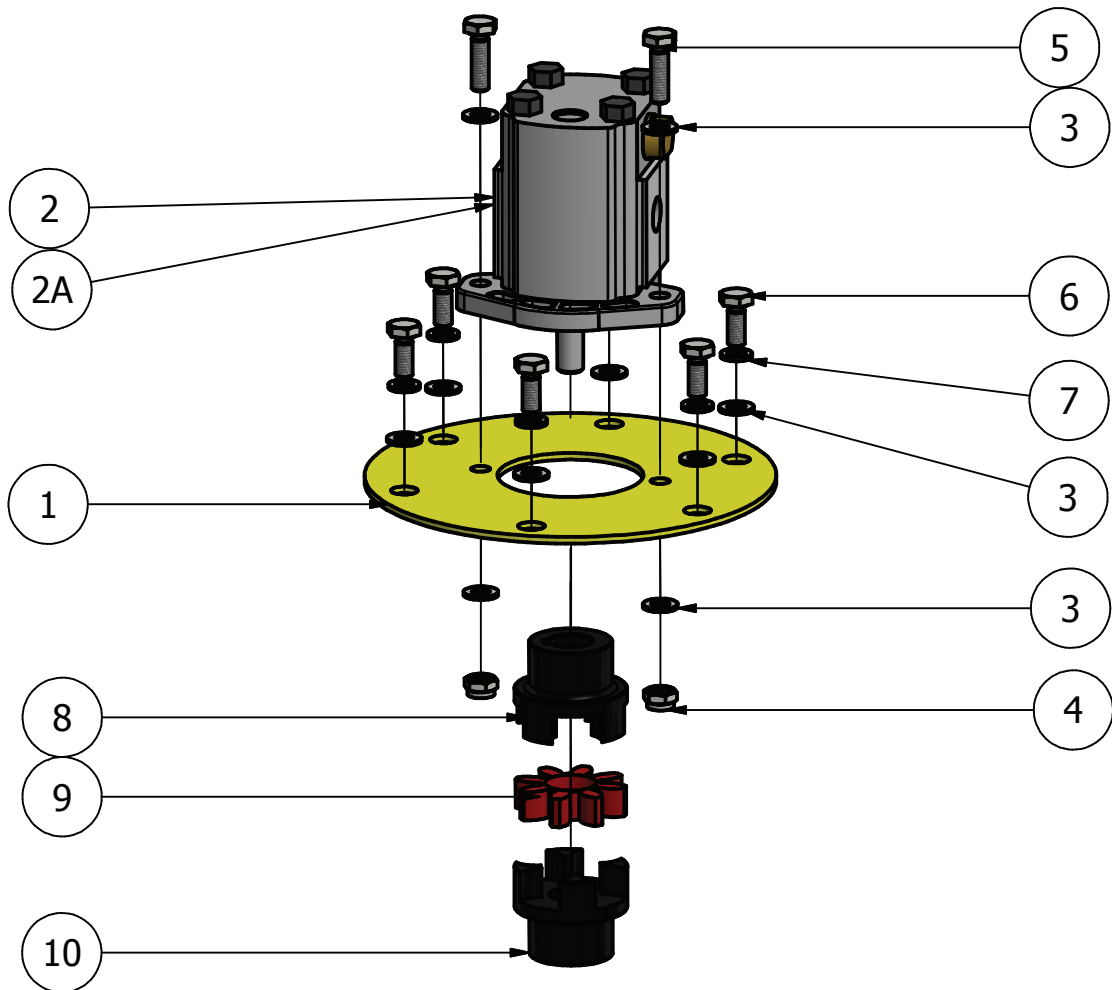
ITEM	QTY	PART NUMBER	DESCRIPTION
1	1	59.0004.01	BEARING HOUSING
2	1	59.0002.01	SPACER BEARINGS
3	1	59.0001.02	SHAFT ROTOR RM1250pro
4	1	59.0035.01	LOCKNUT TOP M35
5	1	59.0003.01	CLAMP KNIFE BLADE
6	1	59.0024.01	LOCK NUT M24
7	1	59.0008.01	RETAINER RING M8
8	1	59.005.01	COVER PLATE ROTOR
9	3	7991820	Countersunk Screw
10	1	59.2018.30	KNIFE BLADE BOTTOM RIGHT
11	1	59.2018.28	ROTOR BLADE TOP RIGHT
12	2	59.6307.01	Deep groove ball bearings single row with two Z shields
13	1	59.0471.01	Parallel Key
14	8	125A12	Washer
15	4	98512	Hex Nut
16	4	9331235	Hex-Head Bolt

Designed by VH	Checked by	Approved by	Date 9-8-2013
-------------------	------------	-------------	------------------


**jj dabekausen bv**  
 Importeur


ROTOR ASSEMBLY RIGHT RM1750PRO  
 RM1750PRO-EV4

Edition 0  
 Sheet 1 / 1



PARTS LIST

ITEM	QTY	PART NUMBER	DESCRIPTION
1	1	59.0006.01	MOTOR MOUNTING FLANGE
2	1	59.2137.01	HYDRAULIC MOTOR CW
2A	1	59.1229.01	HYDRAULIC MOTOR ACW
3	10	125A10	Washer
4	2	98510	Hex Nut
5	2	9331035	Hex-Head Bolt
6	6	9331025	Hex-Head Bolt
7	6	127A10	Spring Washer
8	1	59.0157.01	Coupling Motor
9	1	59.0005.01 B	Coupling Star
10	1	59.0005.01 C	Coupling Rotor

Designed by VH	Checked by	Approved by	Date	Date 9-8-2013
 <b>jj dabekausen bv</b> Importeur		MOTOR ASSEMBLY RM1750PRO RM1750PRO-EV5		
		Edition 0	Sheet 1 / 1	