



*For best performance ...*

## **USE ONLY GENUINE McCONEL SERVICE PARTS**

*To be assured of the latest design improvements purchase your  
'Genuine Replacements' from the 'Original Equipment Manufacturer'*

### **McCONEL LIMITED**

*Through your local Dealer or Stockist*

**Always quote:**

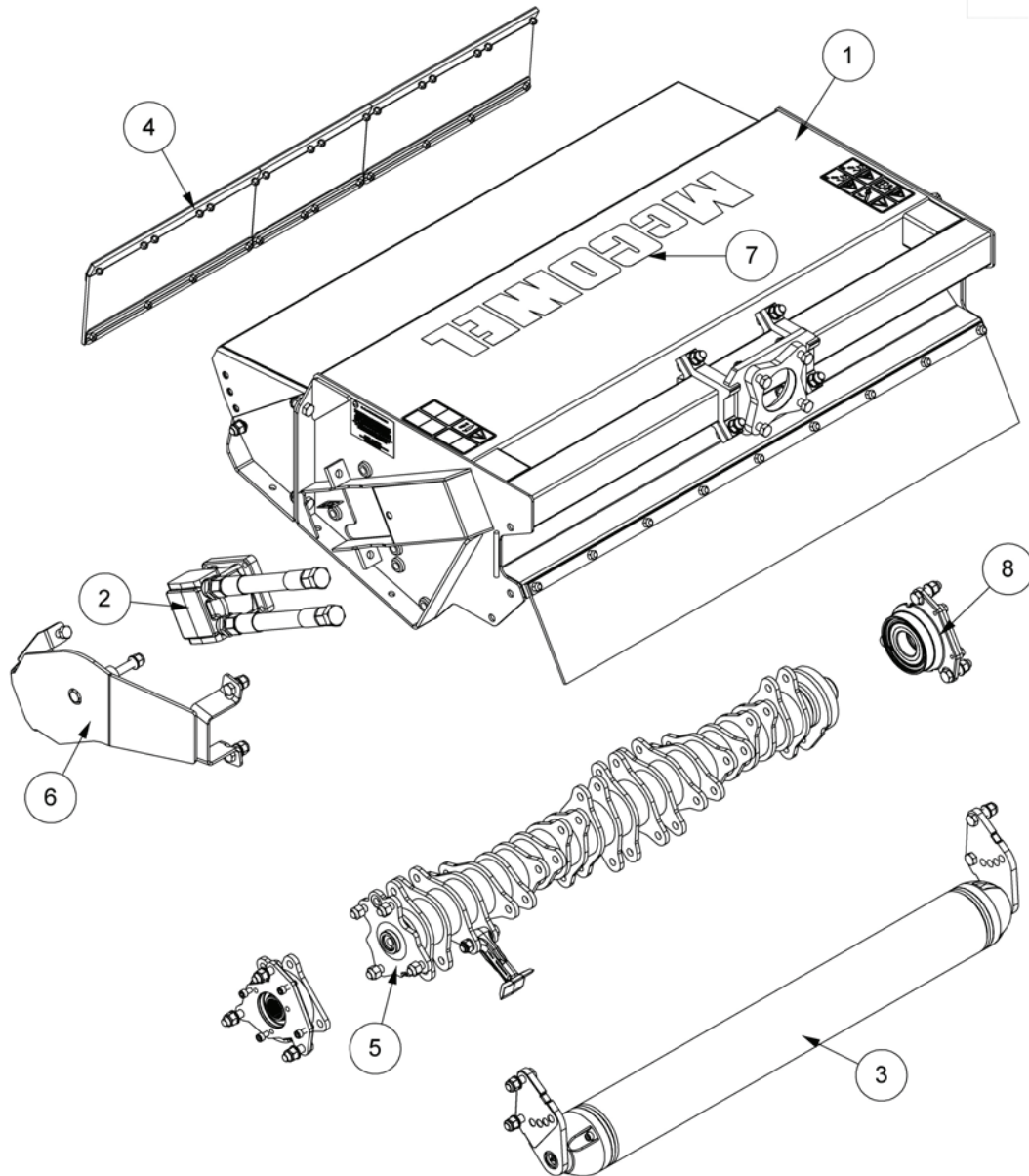
- ***Machine Type***
- ***Serial Number***
- ***Part Number***

*Design improvements may alter some of the parts listed in this manual – the latest part will always be supplied when it is interchangeable with an earlier one.*

# 1.2M MULTICUT QUAD DRIVE FLAILHEAD

**McCONEL**

Module(s): 7354851, 7354866, 7354871 (illustrated), 7354863, 7354883

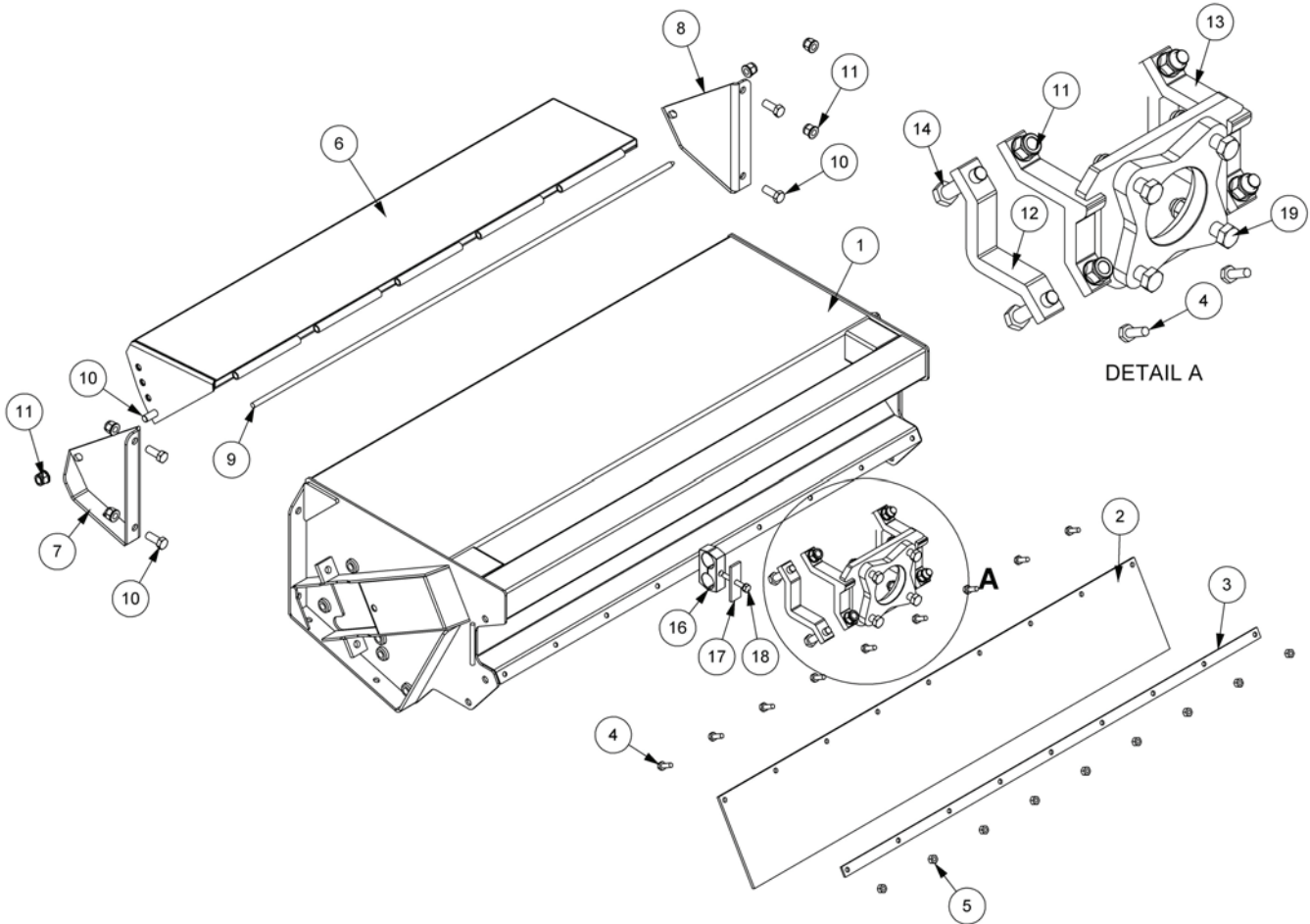


REF.	QTY.	PART No.	DESCRIPTION
		<b>7354851</b>	<b>1.2M MULTICUT 54HP FLAILHEAD</b>
		<b>7354871</b>	<b>1.2M MULTICUT 65HP FLAILHEAD</b>
		<b>7354866</b>	<b>1.2M MULTICUT 45HP FLAILHEAD (JIC Build)</b>
		<b>7354863</b>	<b>1.2M MULTICUT 54HP FLAILHEAD (OMEGA)</b>
		<b>7354883</b>	<b>1.2M MULTICUT 65HP FLAILHEAD (OMEGA)</b>
1	1	22494.05	1.2M DD FLAIL HEAD CASING MODULE
2	1	22495.05	125LPM DRIVE MODULE - 65HP
	1	22495.06	100LPM DRIVE MODULE - 54HP
	1	22495.16	75LPM DRIVE MODULE - 45HP
3	1	21523.08	1.2 DMS ROLLER
4	1	7290375	FRONT FLAP KIT
5	1	22497.01	1.2m QUAD DRIVE ROTOR MODULE
	1	22497.07	1.2m QUAD DRIVE ROTOR MODULE (OMEGA)
6	1	22496.03	LH COVER MODULE
7	1	7350709	DECAL MODULE
8	1	22498.03	MULTICUT QUAD DRIVE MODULE

# 1.2M FLAILHEAD CASING (DIRECT DRIVE)

**McCONNEL**

Module(s): 22494.05

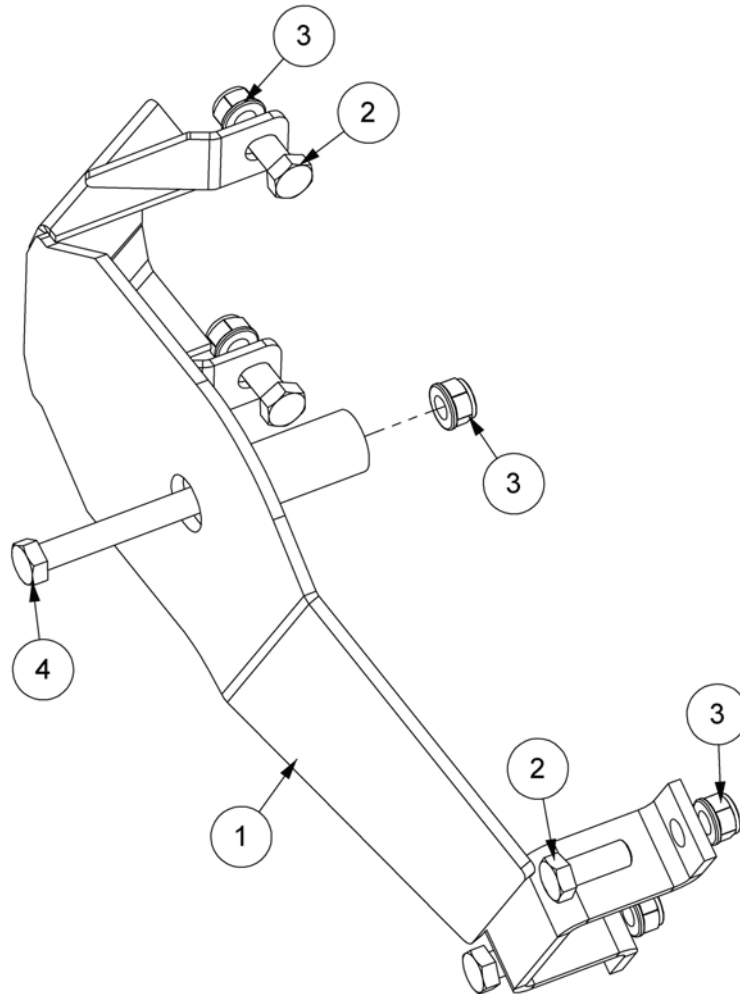


REF.	QTY.	PART No.	DESCRIPTION
		<b>22494.05</b>	<b>1.2M DD FLAILHEAD CASING MODULE</b>
1	1	41685.01	CASING - 1.2m MULTICUT HEAD
2	1	7190314	REAR FLAP
3	1	7190313	CLAMP STRIP
4	9	9313065	SETSCREW
5	9	9143005	SELF-LOCKING NUT
6	1	41695.02	FRONT HOOD - HEAVY DUTY
7	1	7290388	HOOD BRACKET - L/H
8	1	7290387	HOOD BRACKET - R/H
9	1	41700.01	HINGE PIN
10	6	30.073.25	BOLT
11	14	9100024	SELF-LOCKING FLANGE NUT
12	2	7198332	CLAMP
13	1	7198330	CLAMP
14	4	12.714.75	BOLT
15	1	9100205	SPRING WASHER
16	1	7193063	PIPE CLAMP
17	1	06.418.05	CLAMP PLATE
18	1	9213145	BOLT
19	4	9200052	BOLT

# MOTOR COVER ASSEMBLY

# McCONNEL

Module(s): 22496.03 (Illustrated), 22496.04

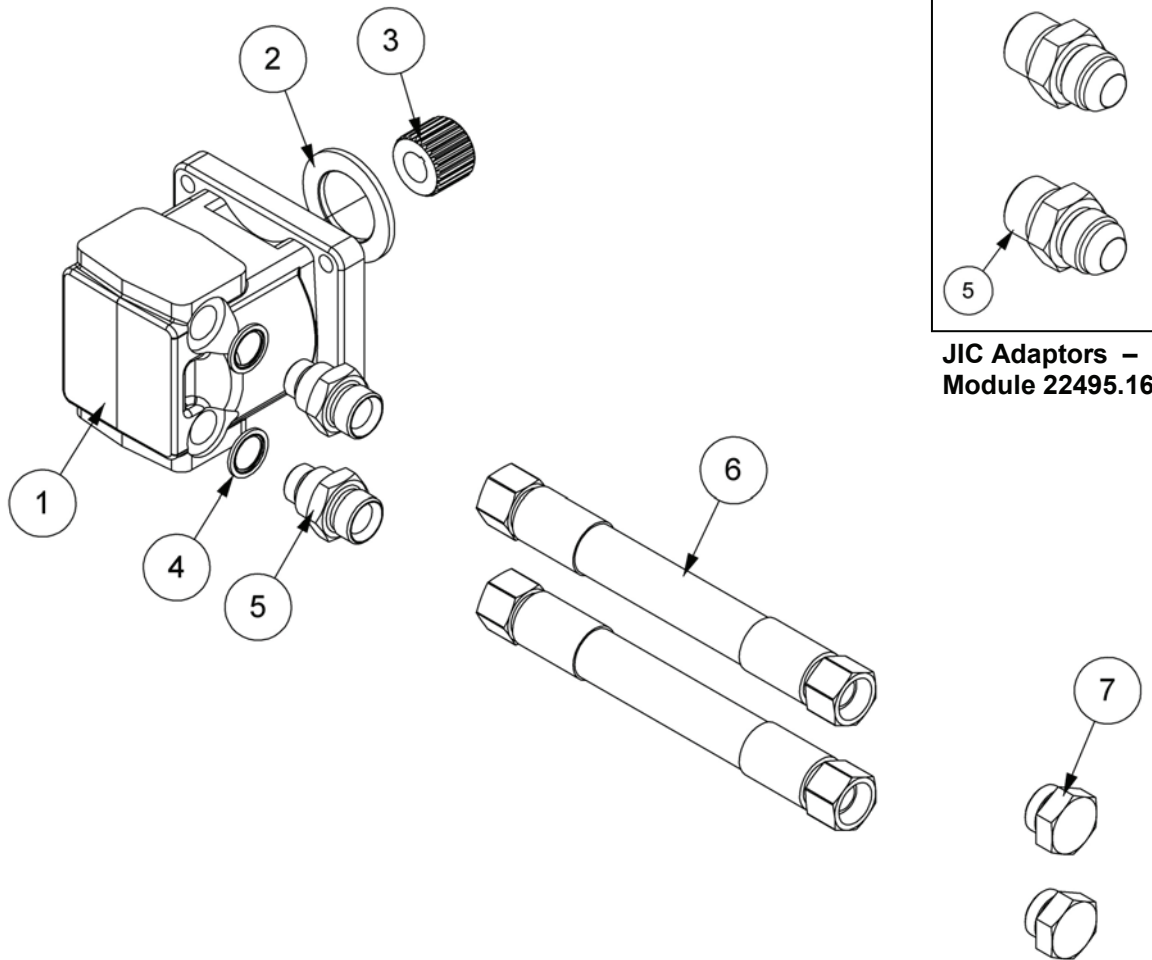


REF.	QTY.	PART No.	DESCRIPTION
		<b>22496.03</b>	<b>MOTOR COVER ASSEMBLY - L/H</b>
		<b>22496.04</b>	<b>MOTOR COVER ASSEMBLY - R/H</b>
1	1	42282.03	MOTOR COVER - L/H
	1	42282.04	MOTOR COVER - R/H
2	4	30.073.25	BOLT
3	5	9100024	SELF-LOCKING FLANGE NUT
4	1	9200034	BOLT

**DRIVE MODULES – 45HP/54HP/65HP**



Module(s): 22495.05, 22495.06, 22495.16 (JIC)



**JIC Adaptors –  
Module 22495.16**

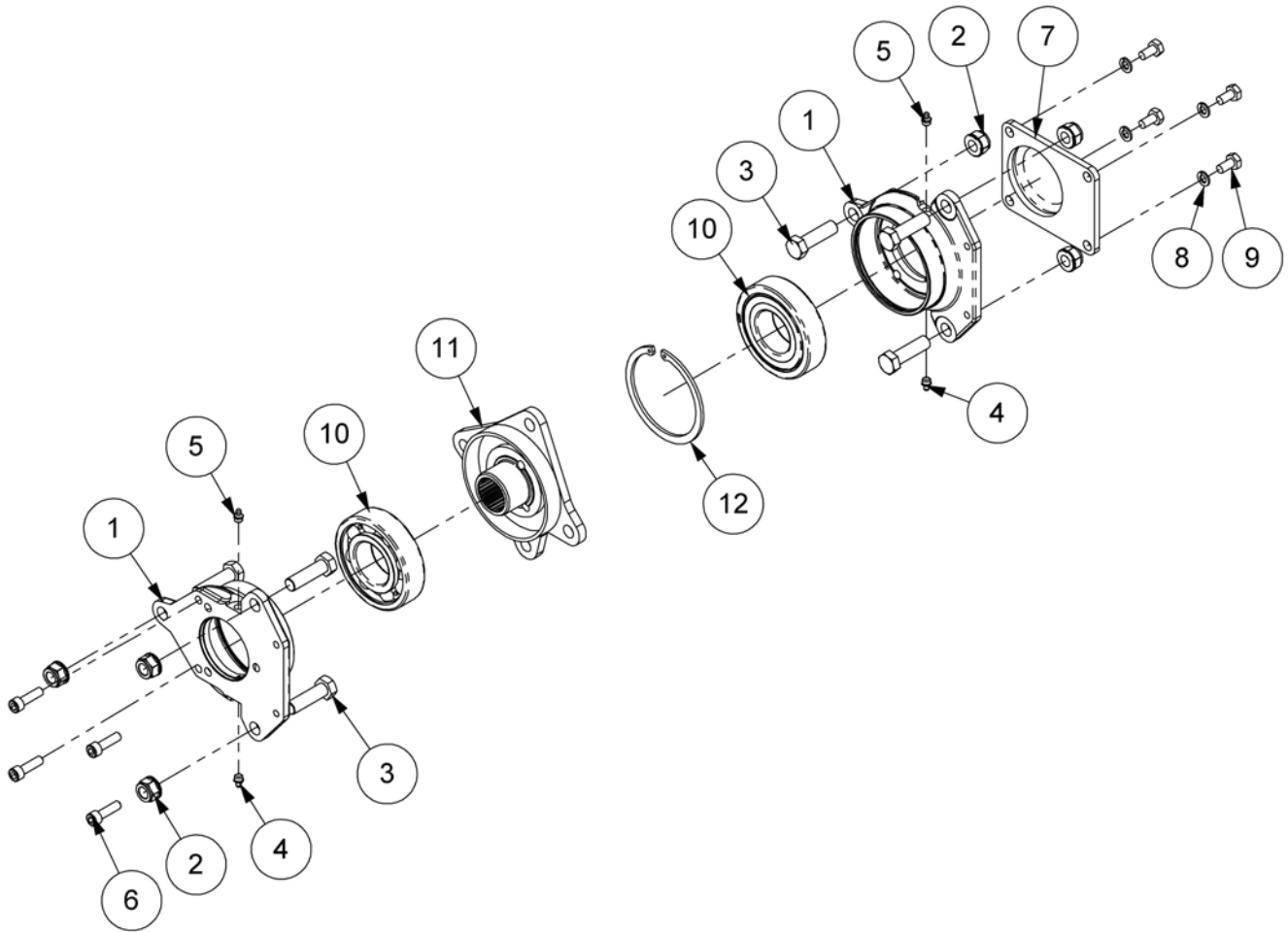
REF.	QTY.	PART No.	DESCRIPTION
		<b>22495.06</b>	<b>100LPM DRIVE MODULE 54HP</b>
		<b>22495.05</b>	<b>125LPM DRIVE MODULE 65HP</b>
1	1	8301302	MOTOR (BACK PORTED) - 54HP
	1	8301304	MOTOR (BACK PORTED) - 65HP
2	1	7190015	LOCATING WASHER
3	1	43390.02	DRIVE COUPLING - 27 TOOTH
4	2	8650106	BONDED SEAL
5	2	8581295	ADAPTOR
6	2	8501254	HOSE - 1" BSP FS/FS x 1900mm
7	2	05.433.03	PLUG

REF.	QTY.	PART No.	DESCRIPTION
		<b>22495.16</b>	<b>75LPM DRIVE MODULE 45HP (JIC)</b>
1	1	8301303	MOTOR (BACK PORTED) - 45HP
2	1	7190015	LOCATING WASHER
3	1	43390.02	DRIVE COUPLING - 27 TOOTH
4	2	8650106	BONDED SEAL
5	2	8581167	ADAPTOR (JIC)
6	2	08.960.32	HOSE - 3/4" BORE 1.1/16" FS/FS x 2100mm

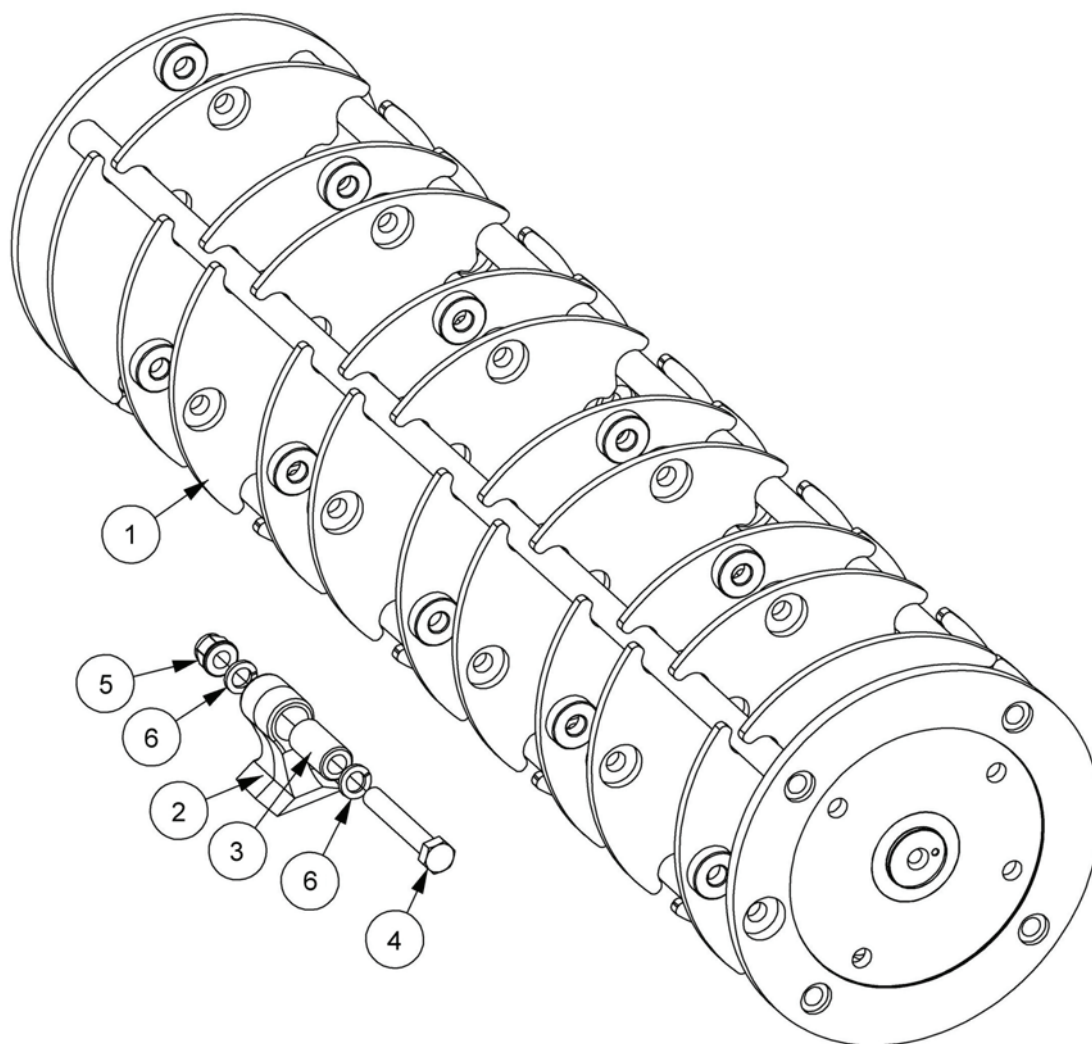
# QUAD DRIVE ASSEMBLY

# McCONNEL

Module(s): 22498.03 (Rev.B)

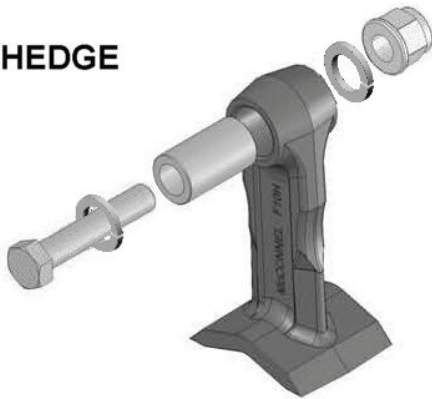


REF.	QTY.	PART No.	DESCRIPTION
		<b>22498.03</b>	<b>MULTICUT QUAD DRIVE ASSEMBLY</b>
1	2	7190261	BEARING HOUSING
2	6	9100024	SELF-LOCKING FLANGE NUT
3	6	9200023	BOLT
4	2	0901121	GREASE NIPPLE - STRAIGHT
5	2	0901125	GREASE NIPPLE - 45°
6	4	9300144	CAPSCREW
7	1	7190292	COVER PLATE
8	4	9100205	SPRING WASHER
9	4	9313045	SETSCREW
10	2	0600018	BALL BEARING
11	1	22269.02	DRIVE HUB - QUAD DRIVE
12	1	7190022	INTERNAL CIRCLIP
13	<i>as req'd</i>	8121043	SHIM - 0.4mm
14	<i>as req'd</i>	8121044	SHIM - 0.6mm



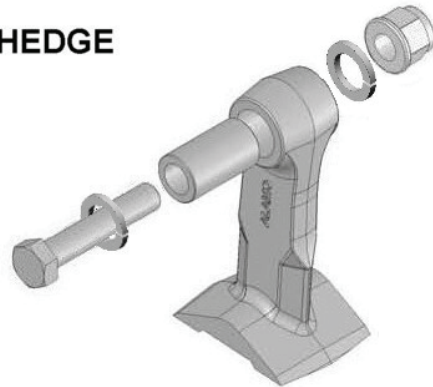
REF.	QTY.	PART No.	DESCRIPTION
			<b>1.2M OMEGA QUAD DRIVE ROTOR</b>
1	1	22269.04	1.2M OMEGA ROTOR
2	20	7190464	OMEGA FLAIL
3	20	7190117	FLAIL PIVOT BUSH
4	20	7390006	SPECIAL FLAIL BOLT
5	20	0141006	SELF-LOCKING NUT
6	40	0100206	SPRING WASHER

**HEDGE**



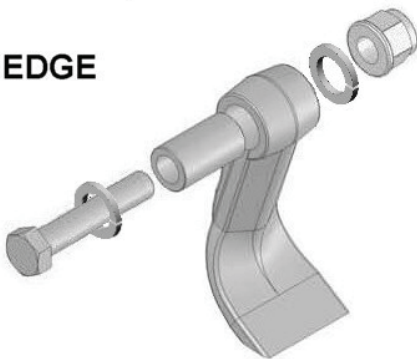
**F10 D.E. Cast Flail**  
(Part No. 7314366D)

**HEDGE**



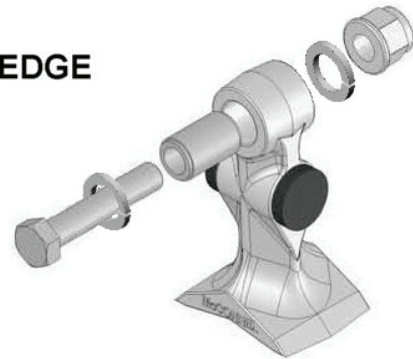
**F10 D.E. Forged Flail**  
(Part No. 41391.02)

**HEDGE**



**F10 S.E. Cast Flail**  
(Part No. 7390276)

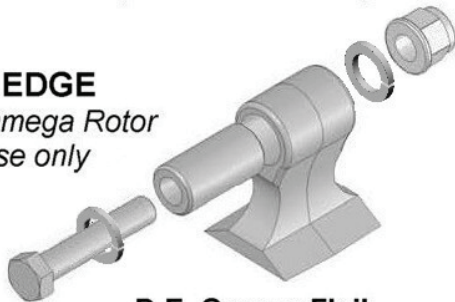
**HEDGE**



**F16 D.E. Cast Flail**  
(Part No. 21904.02)

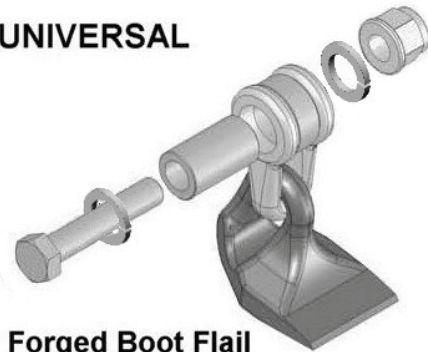
**HEDGE**

*Omega Rotor  
use only*



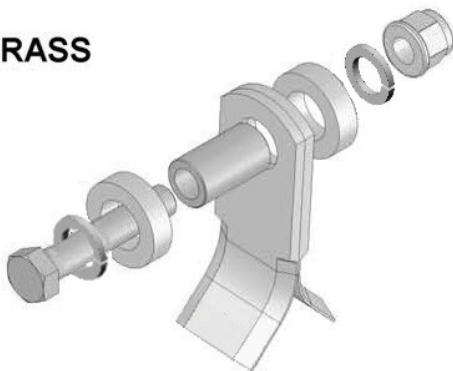
**D.E. Omega Flail**  
(Part No. 7190464)

**UNIVERSAL**



**Forged Boot Flail**  
(Part No. 7190462)

**GRASS**



**F10 Grass Flail**  
(Part No. 7190315)

**MULTICUT FIXINGS**

- Nut (9100024)
- Bush (7314223)
- Bolt (7390025)
- Shackle (7190175)

**OMEGA FIXINGS**

- Nut (0141006)
- Bush (7190117)
- Bolt (7390006)



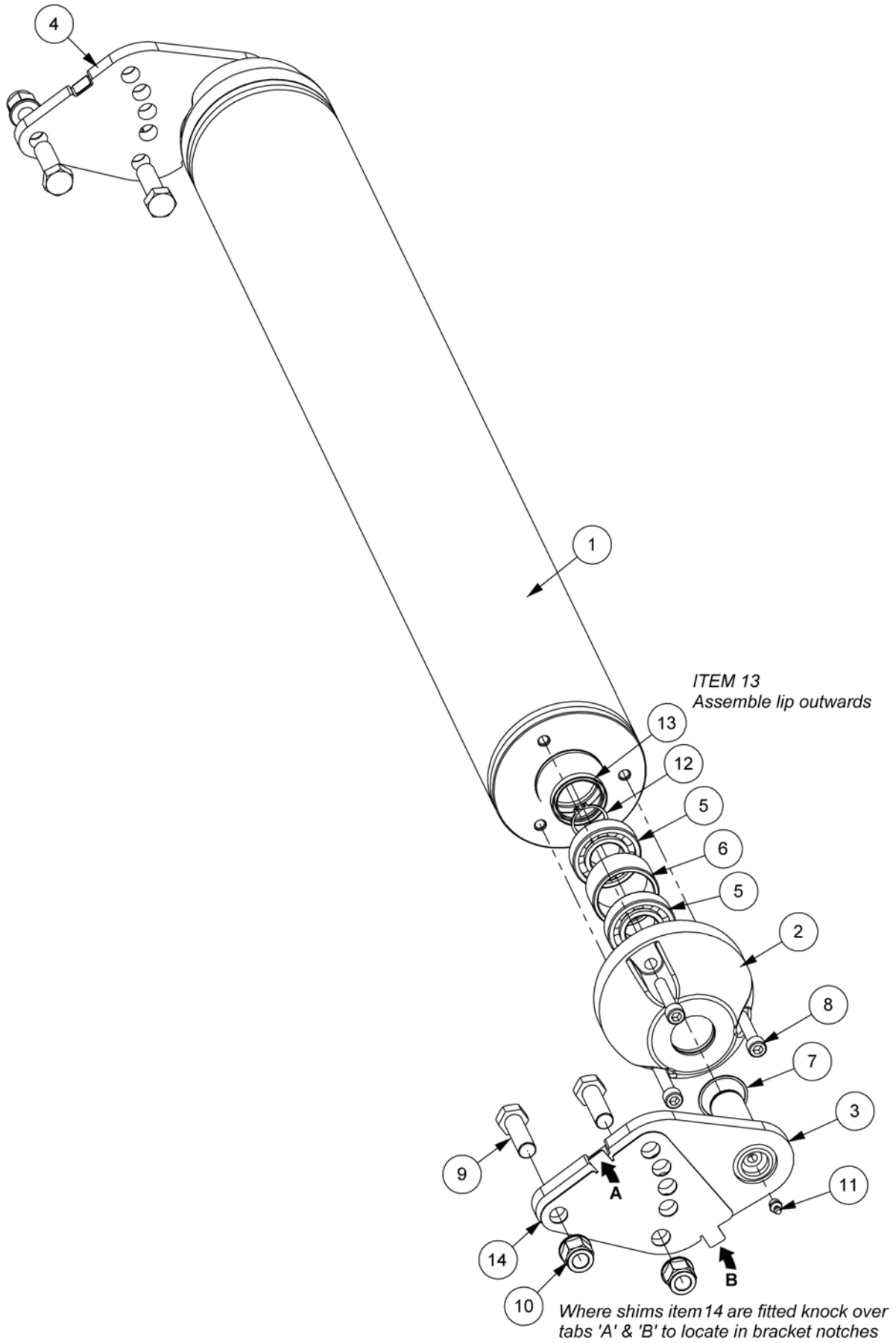
**COMMON FITTINGS**

- Spacer (7190010)
- Spring Washer (0100206)



1.2M ROLLER ASSEMBLY

Module(s): 21523.08



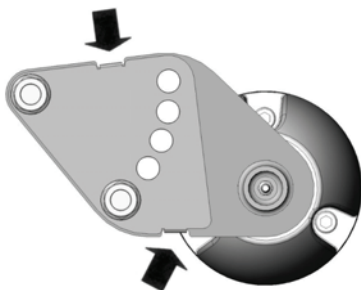
# 1.2M ROLLER ASSEMBLY

**McCONNEL**

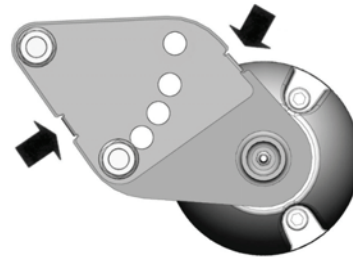
Module(s): 21523.08

REF.	QTY.	PART No.	DESCRIPTION
		<b>21523.08</b>	<b>ROLLER ASSEMBLY</b>
1	1	21394.03	1.2M ROLLER
2	2	21394.32	ROLLER END CAP
3	1	21524.12	ROLLER BRACKET - L/H ( <i>Std. Position</i> )
4	1	21524.13	ROLLER BRACKET - R/H ( <i>Std. Position</i> )
5	4	0600111	BALL BEARING
6	2	21523.31	BEARING SPACER
7	2	0402240	INTERNAL SPIROLOX RING
8	6	9343105	CAPSCREW
9	4	9200025	BOLT
10	4	9100024	SELF-LOCKING FLANGE NUT
11	2	0901121	GREASE NIPPLE
12	2	0401230	EXTERNAL CIRCLIP
13	2	8629239	ROTARY SHAFT SEAL
14	<i>as req'd</i>	42257.10	SHIM - 1.2mm

**Note:** Roller Brackets Items 3 & 4 are swappable L/H to R/H on the roller to give various differing height settings - the illustration show the brackets assembled in the standard position with the longer edge notch upwards. When assembled the opposite way with the longer edge notch downwards it is referred to as the alternate position.



Standard Roller Position

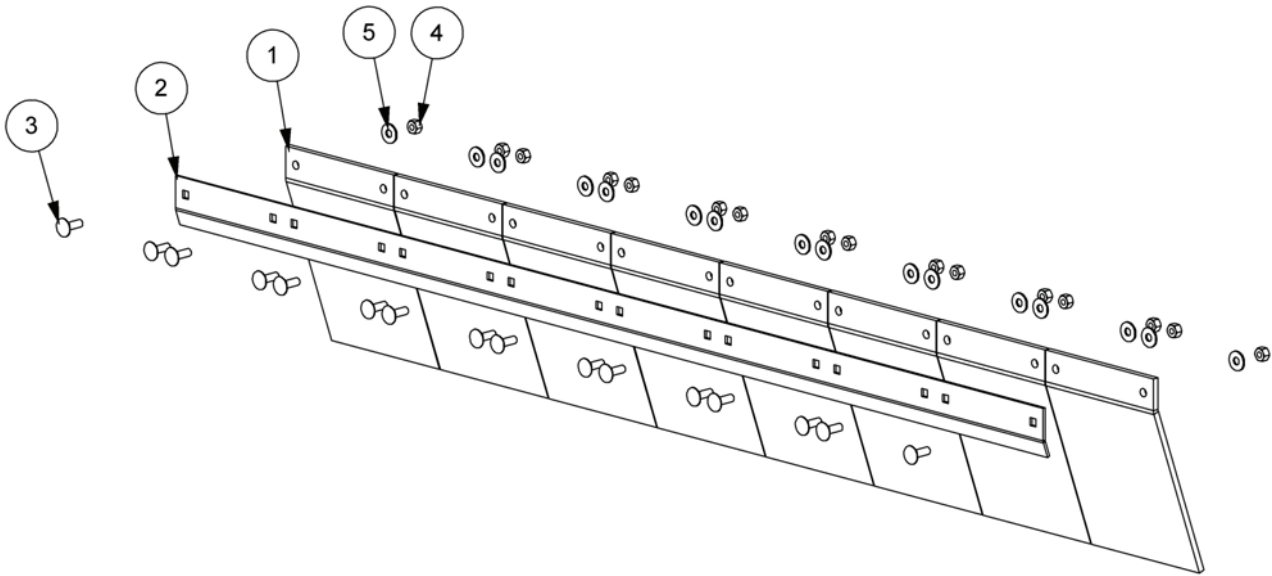


Alternate Roller Position

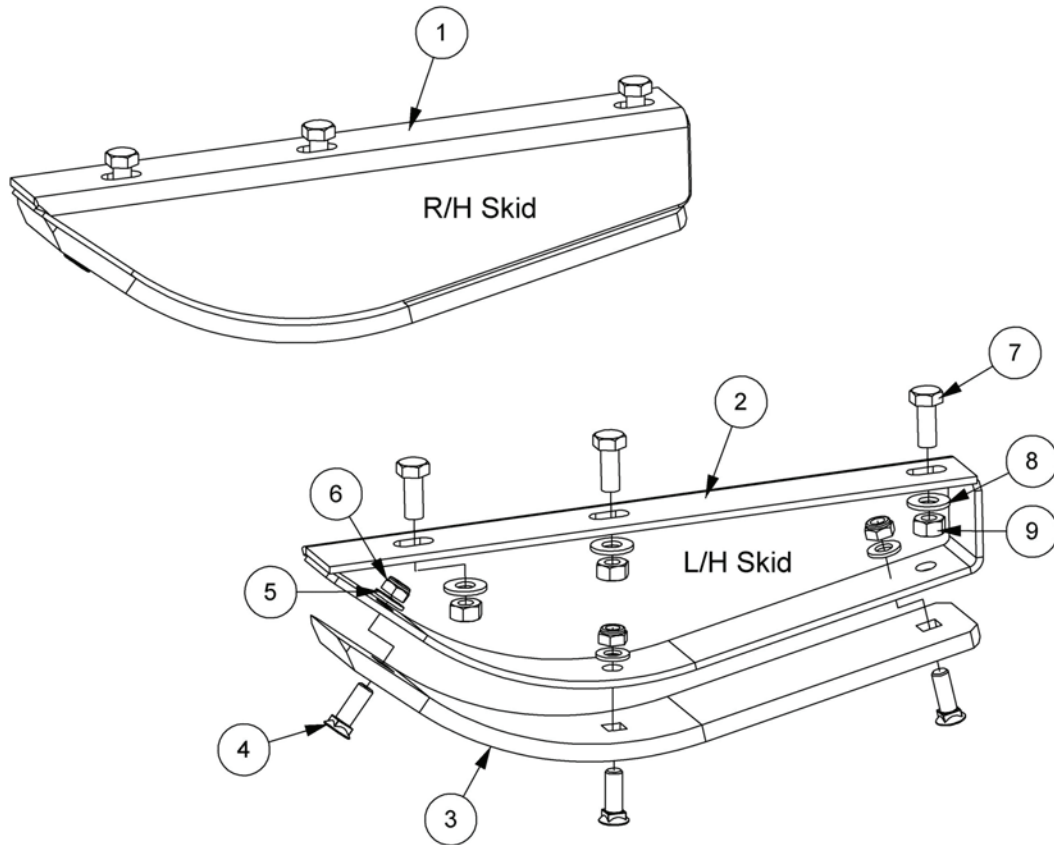
# 1.2M FRONT FLAP KIT

**McCONNEL**

Module(s): 7290375



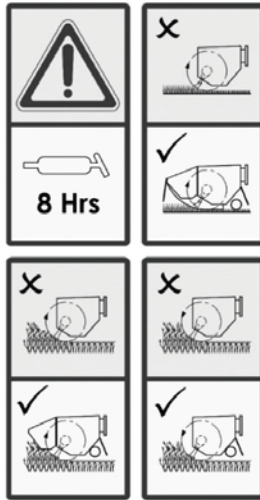
REF.	QTY.	PART No.	DESCRIPTION
		<b>7290375</b>	<b>FRONT FLAP KIT</b>
1	8	7290053	FRONT FLAP
2	1	7190304	CLAMP STRIP
3	16	9293054	CUP HEAD SCREW
4	16	9143004	SELF-LOCKING NUT
5	16	9100104	FLAT WASHER



REF.	QTY.	PART No.	DESCRIPTION
		<b>7290384</b>	<b>SKID KIT ASSEMBLY</b>
1	1	7290389	SKID - R/H
2	1	7290390	SKID - L/H
3	2	7290391	REPLACEABLE SKID SHOE
4	6	6012034	PLOUGH BOLT
5	6	0100104	FLAT WASHER
6	6	0141004	SELF-LOCKING NUT
7	6	9313066	SETSCREW
8	6	9100106	FLAT WASHER
9	6	9143006	SELF-LOCKING NUT



4



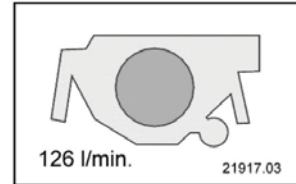
3

**FLAIL PARTS INFORMATION**

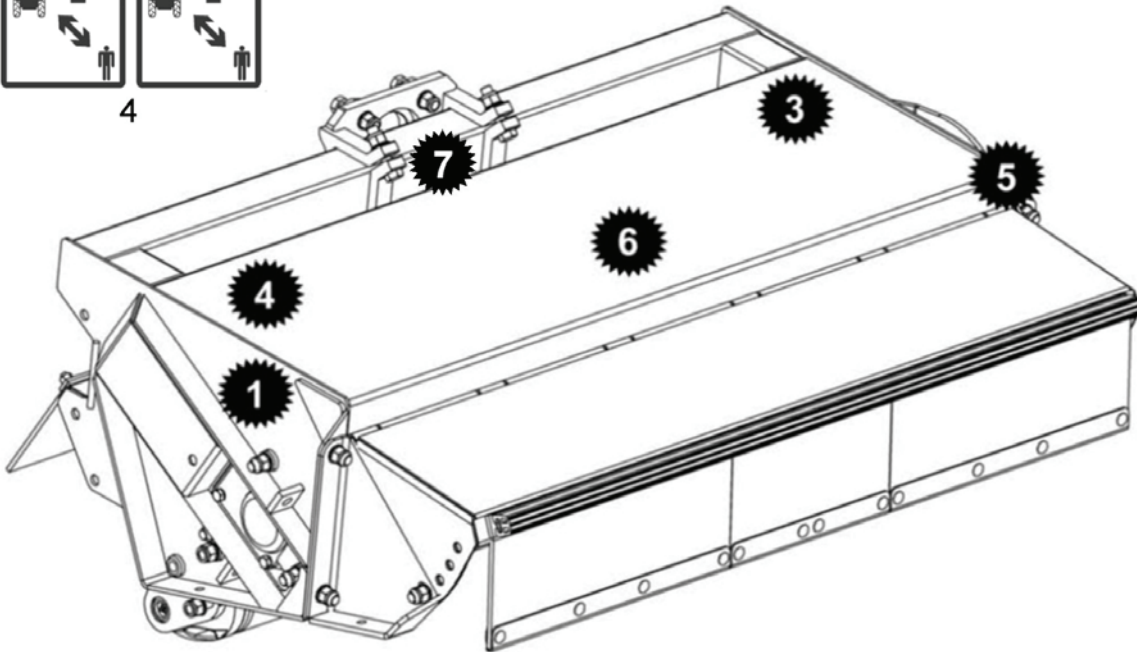
McConnel Flail Mowers use dynamically balanced and mated system components for Cutter Shafts, (Rotors) Knives (Flails), Knife hangers (Shackles) bolts, bushes Rollers, Drivetrain Components, Bearing Belts and Belt Pulleys. McConnel parts are made and tested to meet close-tolerance specifications of balance, quality and consistency that assure long, trouble-free service. "Will-Fit" parts do not ordinarily meet McConnel Standards and could reduce Mower performance, void warranties and present an increase in the safety hazard potential.

**DON'T GAMBLE!**  
USE GENUINE McCONNEL SERVICE PARTS  
See your McConnel dealer

5



7



**McCONEL LTD**  
LUDLOW, SYE I.A. PHONE: 01564 973131  
FAX: 01564 978463  
MADE IN ENGLAND

CE MACHINE \_\_\_\_\_  
SERIAL No. \_\_\_\_\_  
WEIGHT (KG) \_\_\_\_\_

1

**McCONEL**

6

## DECAL KITS

**McCONNEL**

Module(s): 7390707, 7350709, 7350711

REF.	QTY.	PART No.	DESCRIPTION
		<b>7350711</b>	<b>45HP FLAILHEAD DECAL KIT</b>
1	1	1335246	SERIAL No. PLATE
2	4	7103230	POP RIVET
3	1	1290738	DECAL - FLAILHEAD
4	1	09.821.35	DECAL - COMBINED EURO
5	1	1290392	DECAL - PARTS
6	1	1290527	DECAL - McCONNEL
7	1	21917.01	DECAL - 78 l/min (RED)

REF.	QTY.	PART No.	DESCRIPTION
		<b>7350707</b>	<b>54HP FLAILHEAD DECAL KIT</b>
1	1	1335246	SERIAL No. PLATE
2	4	7103230	POP RIVET
3	1	1290738	DECAL - FLAILHEAD
4	1	09.821.35	DECAL - COMBINED EURO
5	1	1290392	DECAL - PARTS
6	1	1290527	DECAL - McCONNEL
7	1	21917.02	DECAL - 102 l/min (ORANGE)

REF.	QTY.	PART No.	DESCRIPTION
		<b>7350709</b>	<b>65HP FLAILHEAD DECAL KIT</b>
1	1	1335246	SERIAL No. PLATE
2	4	7103230	POP RIVET
3	1	1290738	DECAL - FLAILHEAD
4	1	09.821.35	DECAL - COMBINED EURO
5	1	1290392	DECAL - PARTS
6	1	1290527	DECAL - McCONNEL
7	1	21917.03	DECAL - 126 l/min (GREEN)