

PARTS MANUAL

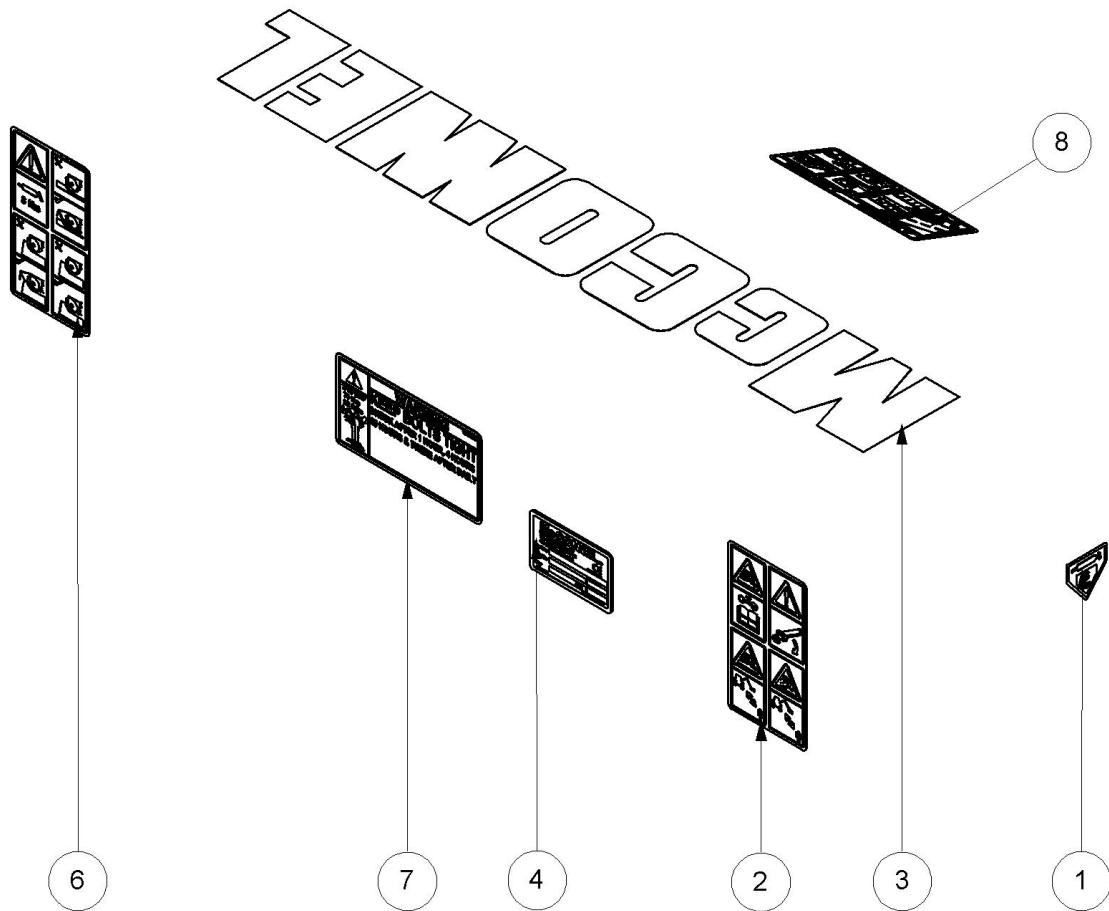
FOR

SERIAL NO: M2063350

Geleverd met klem kit MCC-7198420.

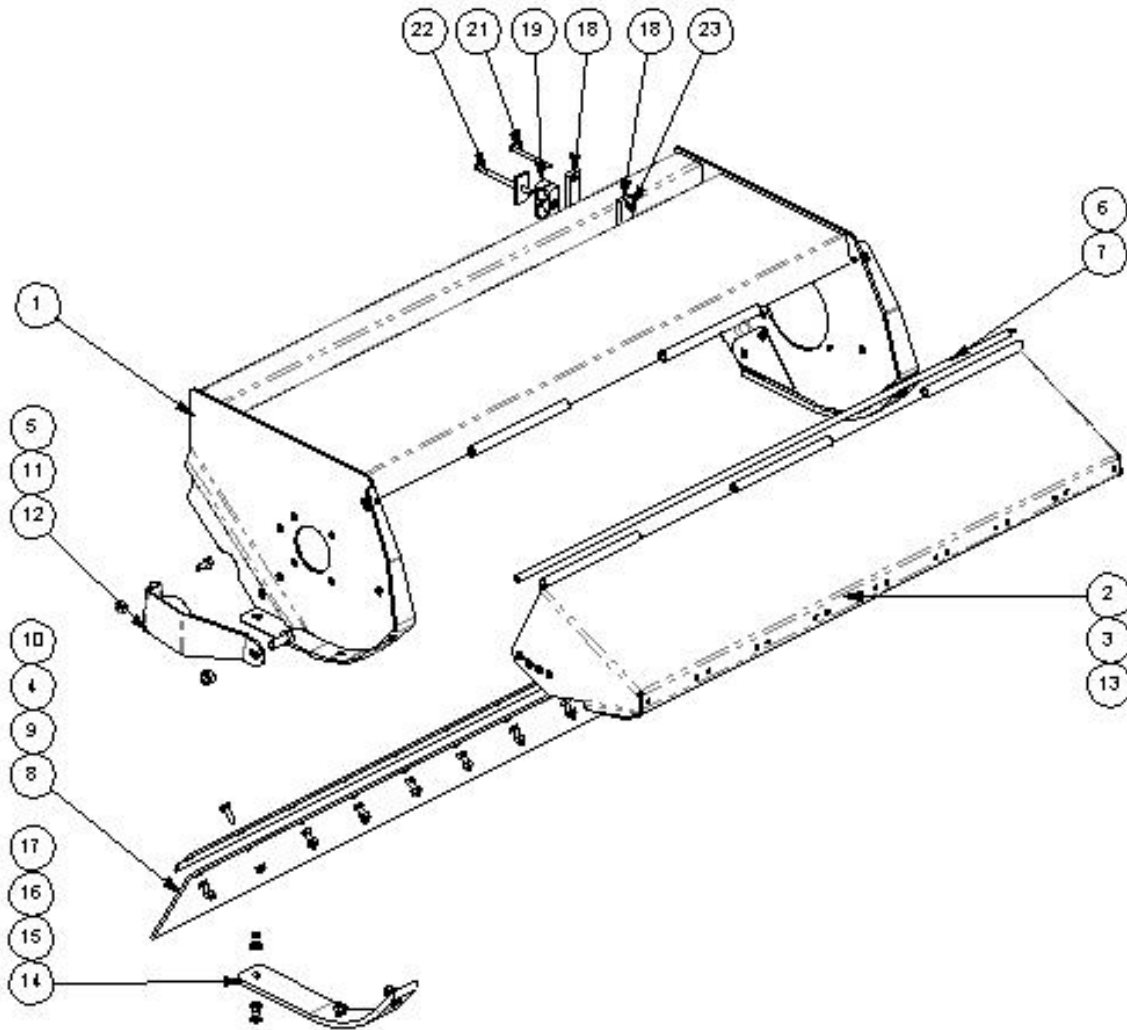
**Klem kit omgebouwd naar klem koker 70 x 70 ipv
standaard 80 x 80 koker**

21978.18 - DECAL KIT



Ref	Part No	Description	QTY
1	09.810.01	DECAL	1
2	09.821.35	DECAL	1
3	1290527	DECAL	1
4	1335246	SERIAL No. PLATE	1
5	7103230	RIVET	4
6	1290738	DECAL	1
7	1291065	DECAL	1
8	1291231	DECAL	1

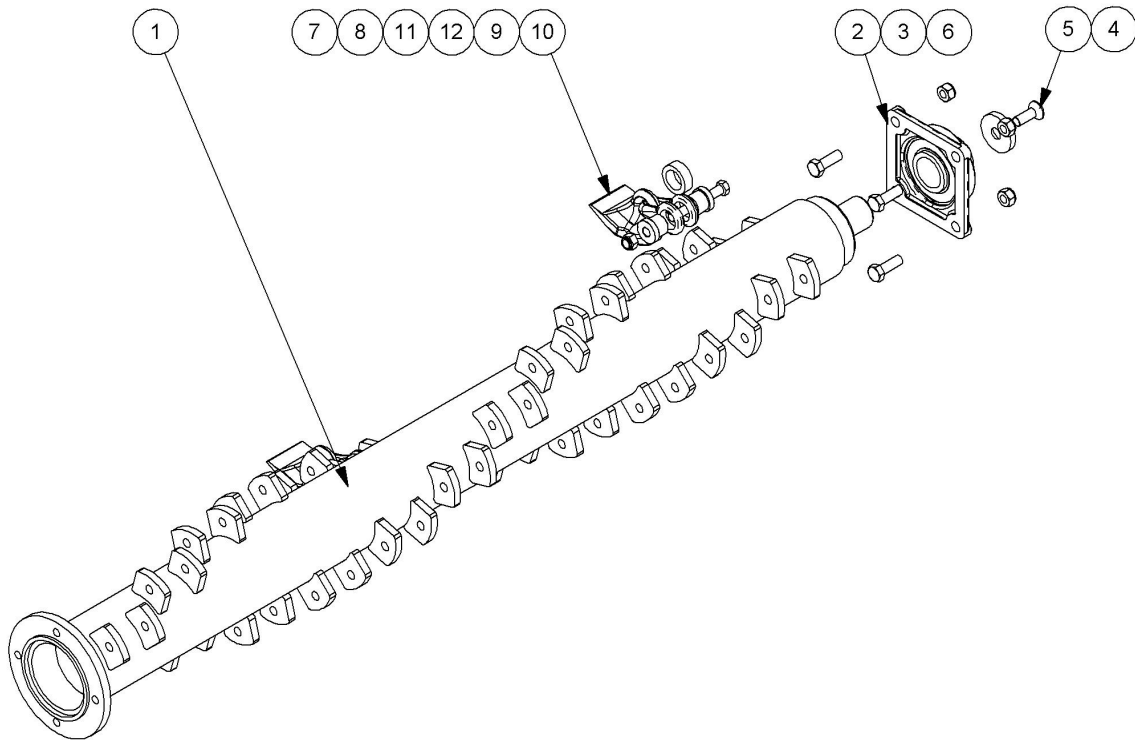
22494.41 - CASING MODULE



Ref	Part No	Description	QTY
1	22116.03	CASING W/A	1
2	22123.01	HOOD	1
3	30.073.25	BOLT	2
4	9313065	SCREW	10
5	9313056	SCREW	1
6	9501325	PIN	1
7	7191116	PIN	1
8	7191361	FLAP	1
9	7191362	CLAMP STRIP	1
10	9163005	NUT	10
11	9163006	NUT	1
12	42496.02	COVER	1
13	T7942	NUT	2
14	7290391	SHOE	2
15	6012034	TINE BOLT	6
16	0100104	WASHER	6

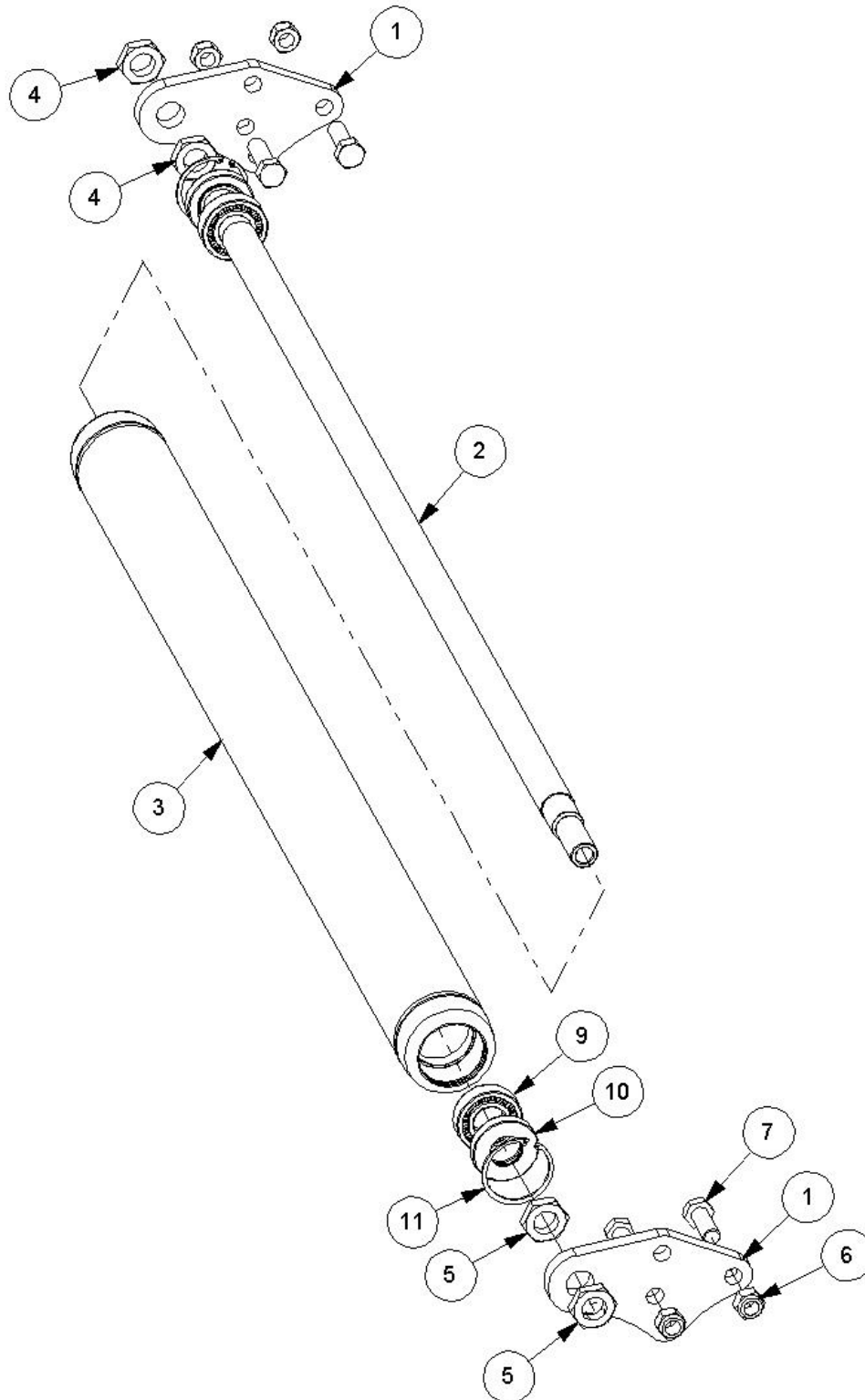
Ref	Part No	Description	QTY
17	0100204	WASHER	6
18	21874.01	PLATE	2
19	06.430.09	CLAMP PAIR	1
20	06.418.03	PLATE	1
21	9213204	BOLT	1
22	9213284	BOLT	1
23	9163004	NUT	2

22497.88 - ROTOR KIT



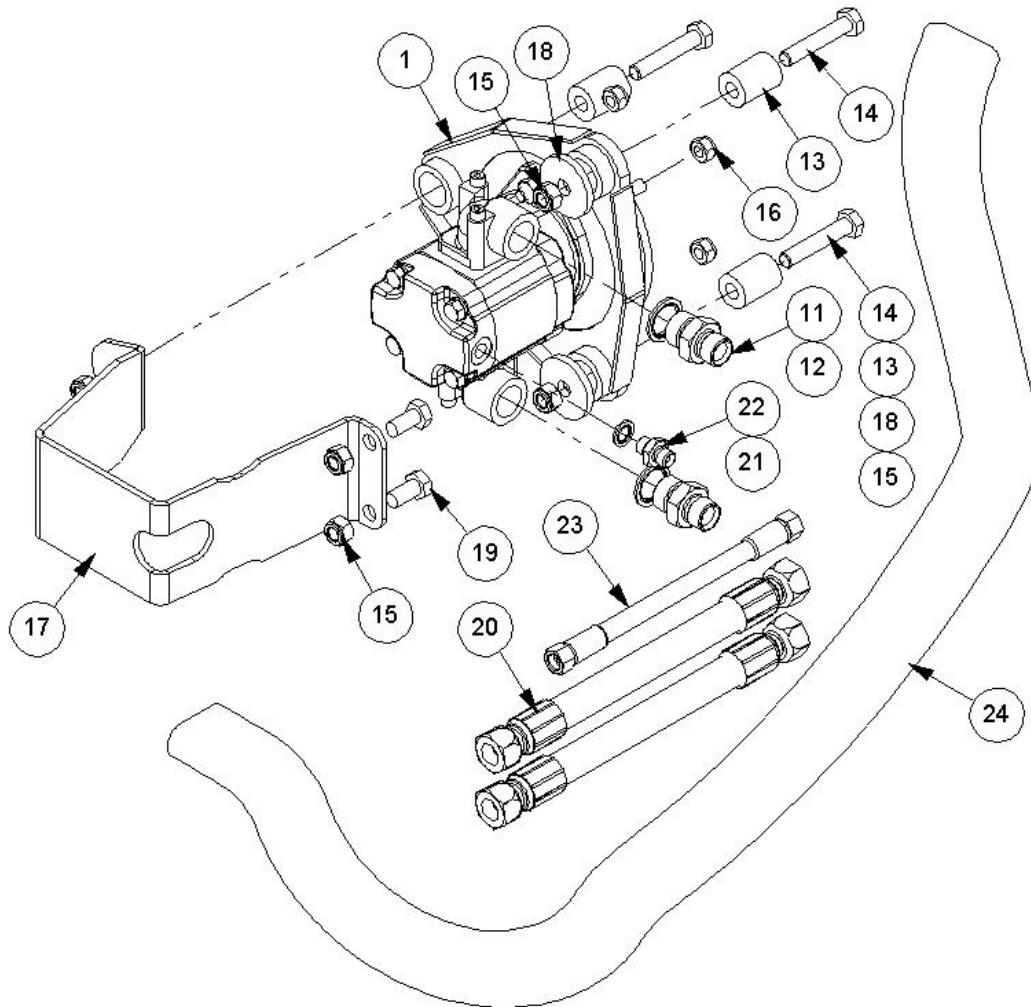
Ref	Part No	Description	QTY
1	45727.01	ROTOR WDMT	1
2	03.008.01	BEARING	1
3	9313076	SCREW	4
4	42503.01	WASHER	1
5	9353076	SCREW	1
6	9163006	NUT	4
7	0141004	NUT	24
8	7190088	BOLT	24
9	7190086	SHACKLE - 11.7 MM HOLE	24
10	7190462	FLAIL - UNIVERSAL BOOT	24
11	41725.02	SPACER	24

22562.21 - ROLLER MODULE

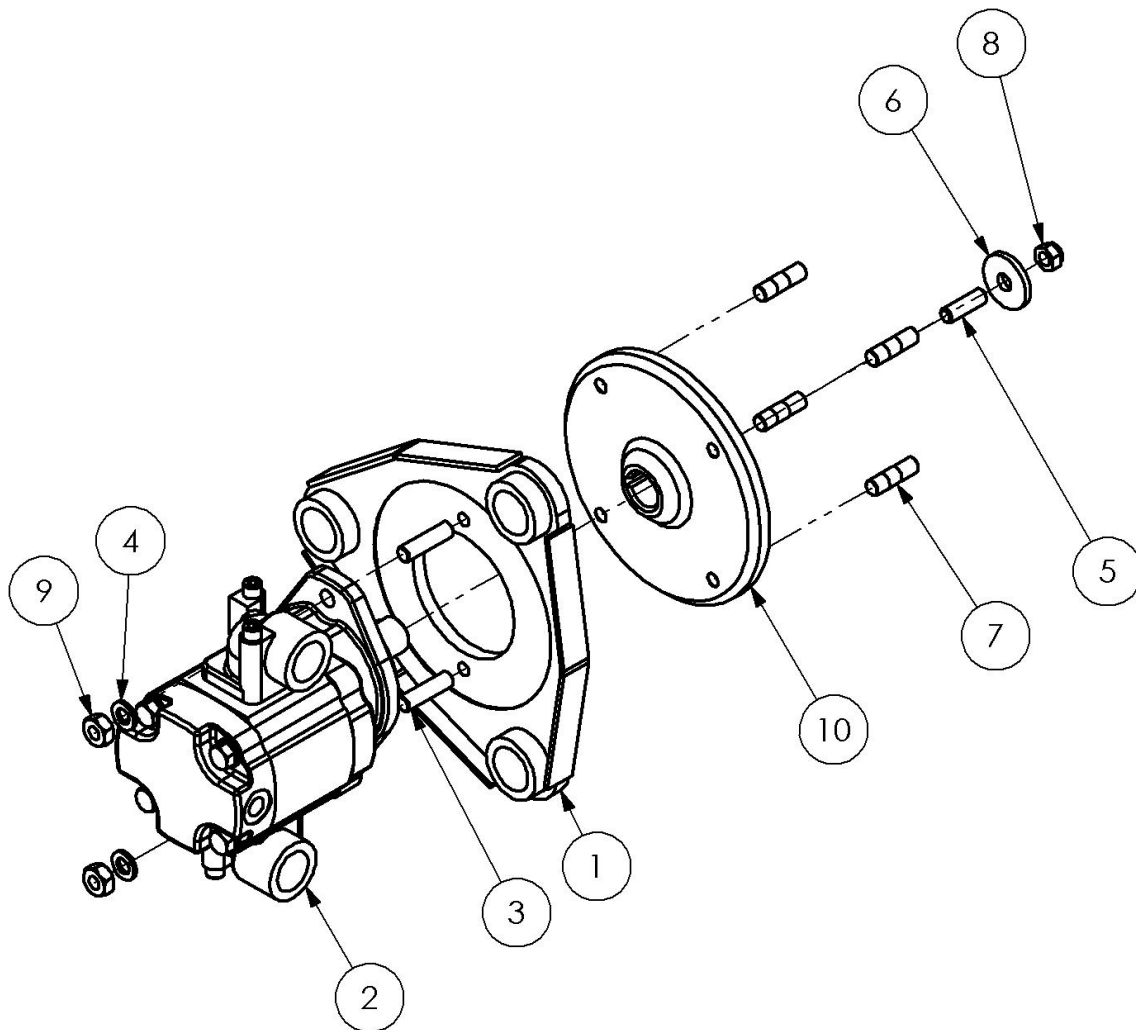


Ref	Part No	Description	QTY
1	21967.05	PLATE	2
2	22562.03	TUBE	1
3	22562.12	ROLLER	1
4	0131039	NUT	2
5	0131009	NUT	2

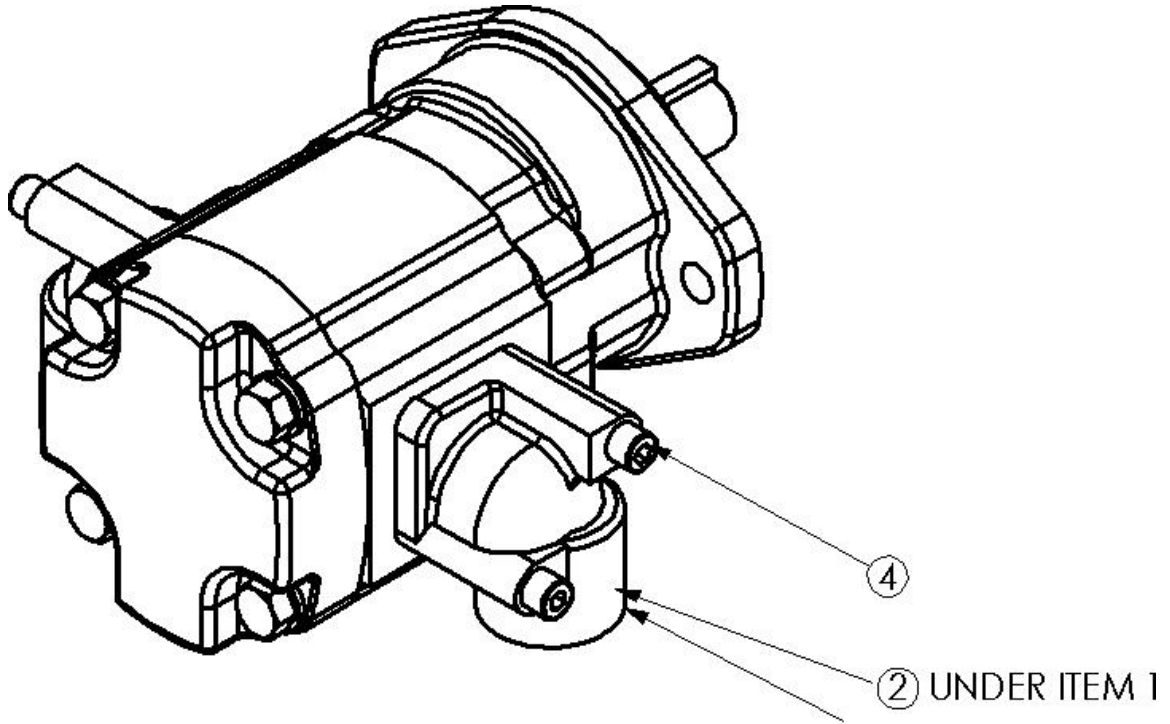
Ref	Part No	Description	QTY
6	T7942	NUT	4
7	9200028	BOLT	2
8	9200025	BOLT	2
9	0600100	BEARING	2
10	8629250	SEAL	2
11	0411262	CIRCLIP	2



Ref	Part No	Description	QTY
1	42603.13	MOTOR ASSY 15CC CW DRAIN LINE	1
11	8581270	ADAPTOR	2
12	8650106	SEAL	2
13	03.871.01	BUSH	3
14	9213136	BOLT	3
15	9163006	NUT	5
16	05.968.02	NUT	4
17	41288.01	COVER	1
18	02.824.01	WASHER	2
19	9313056	SCREW	2
20	10.007.30	HOSE	2
21	8650102	SEAL	1
22	8581169	ADAPTOR	1
23	10.001.30	HOSE	1
24	22591.26	HOSE SLEEVING	1



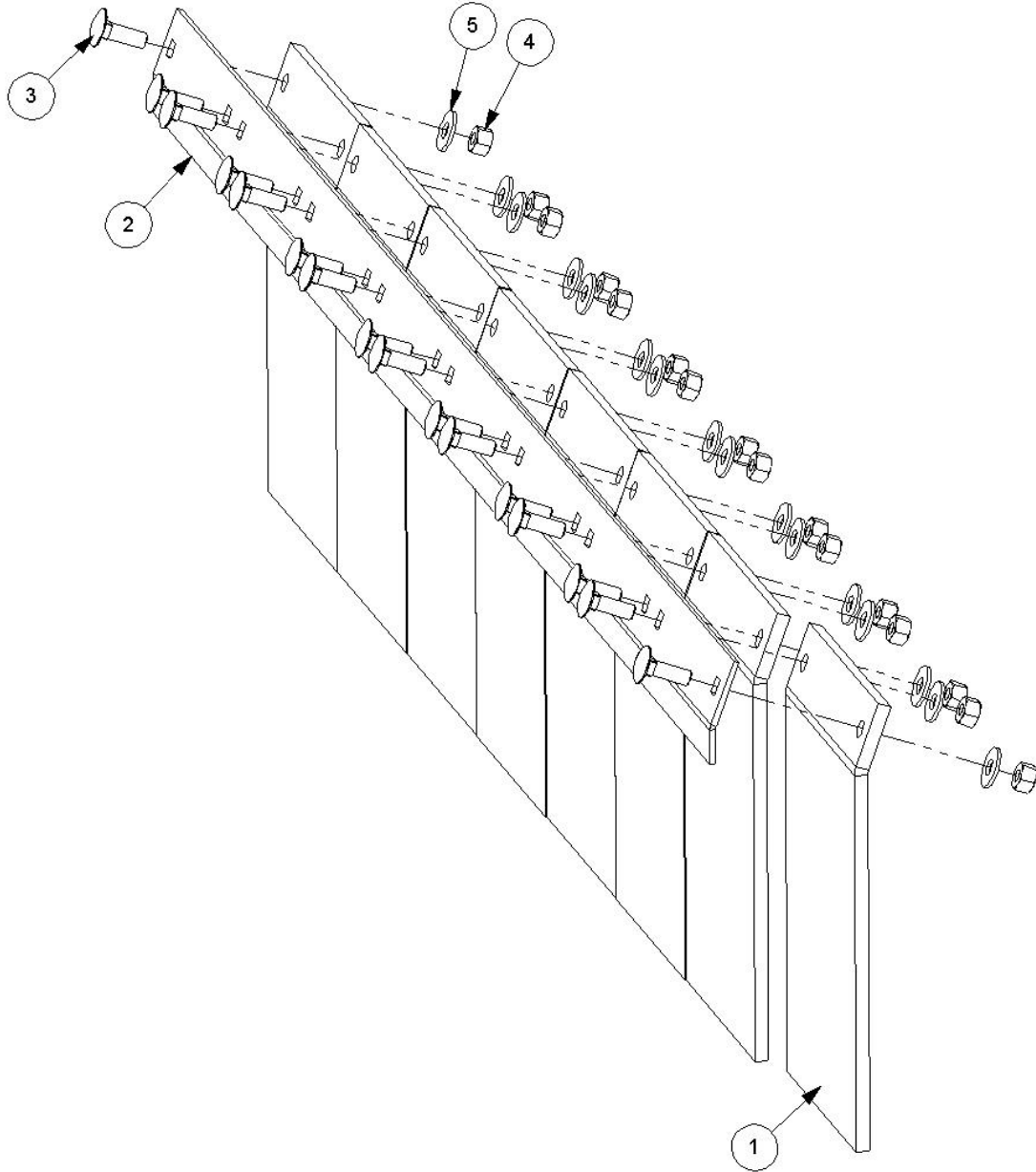
Ref	Part No	Description	QTY
1	09.132.01	PLATE	1
2	08.785.04	MOTOR	1
3	04.282.56	STUD	2
4	9100205	WASHER	2
5	03.960.02	STUD	1
6	03.959.02	WASHER	1
7	03.917.01	STUD	4
8	0141000	NUT	1
9	9113005	NUT	2
10	45744.02	MACHINED DRIVE PLATE	1



ITEMS 2 AND 3 NOT SHOWN

Ref	Part No	Description	QTY
2	8600403	"O" RING	2
3	08.785.06	SEAL KIT	1
4	05.625.25	CAPSCREW	2

7290375 - USE 7290375 FOR SPARES



Ref	Part No	Description	QTY
1	7290053	FLAP	8
2	7190304	STRIP	1
3	9293054	BOLT	16
4	9163004	NUT	16
5	9100104	WASHER	16