



KP

CATALOGO PARTI DI RICAMBIO
SPARE PARTS CATALOGUE
CATALOGUE PIECES DE RECHANGE
ERSATZTEILLISTE
CATÁLOGO PARTES DE REQUESTO

850 1000 1250 1500 1750 2000 2250

2400 2600 2600S 2800S 3000S 3200S

per ordinare i pezzi di ricambio

Per una corretta ordinazione dei pezzi di ricambio è necessario indicare i seguenti elementi:

- 1) Modello della macchina,
 - 2) Numero di catalogo,
 - 3) Codice del ricambio,
 - 4) Quantità richiesta.
-

pour commander les pièces de rechange

Pour commander les pièces de rechange il faut indiquer:

- 1) Modèle de la machine,
 - 2) Nombre du catalogue,
 - 3) Code de la pièce de rechange,
 - 4) Quantité demandé.
-

to order the spare parts

To order the spare parts correctly you must specify:

- 1) Model of the machine,
 - 2) Catalogue number,
 - 3) Spare part code number,
 - 4) Required quantity.
-

um die Ersatzteile zu bestellen

Für eine korrekte Bestellung der Ersatzteilen müssen die folgende Einzelheiten angegeben werden:

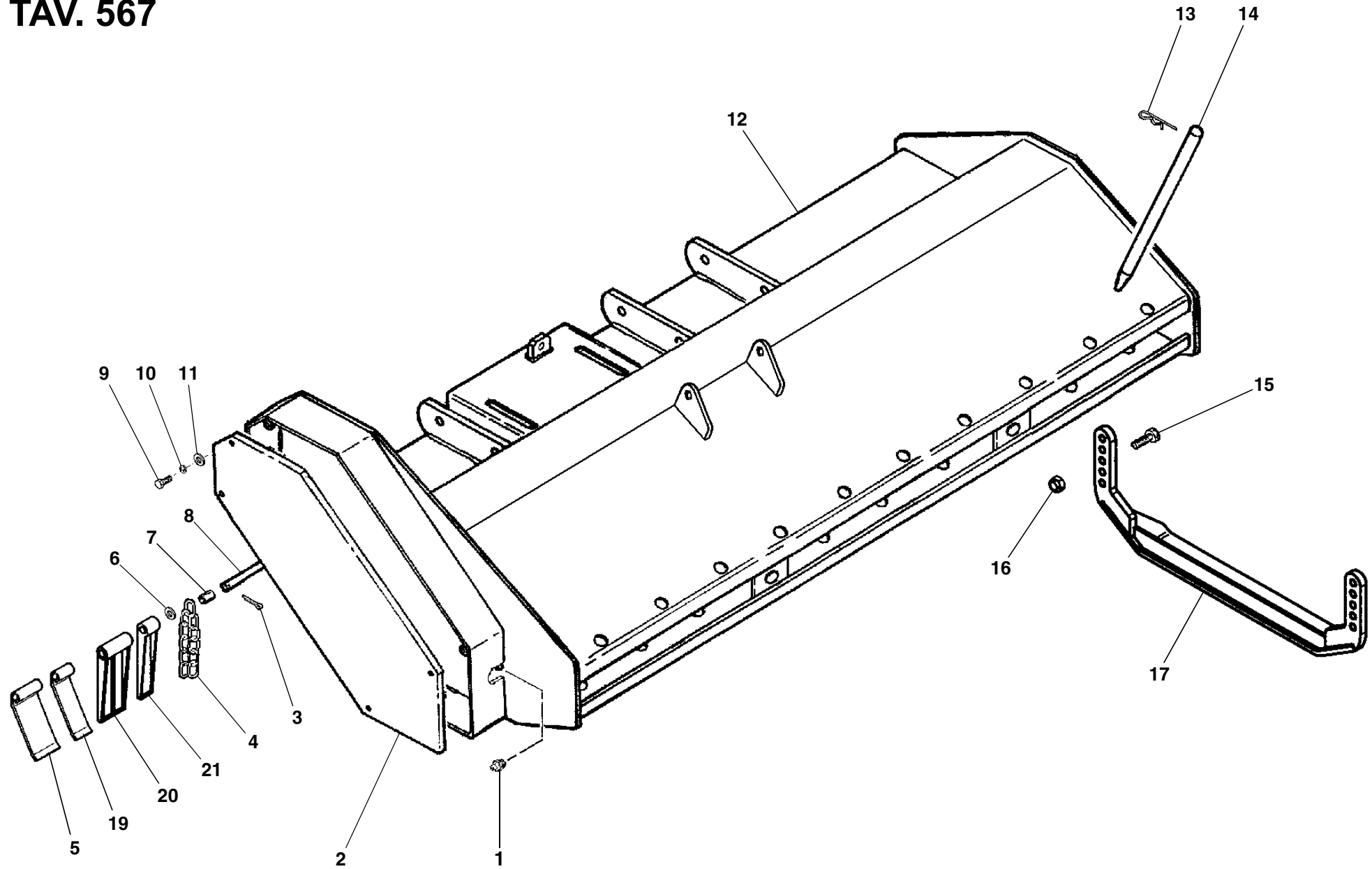
- 1) Gerät-Modell,
 - 2) Katalog-Nummer,
 - 3) Teil-Nummer,
 - 4) Gewünschte Menge.
-

para pedir las partes de requesto

Para pedir correctamente las partes de requesto se tiene que especificar:

- 1) Modelo de la máquina,
- 2) Número de catálogo,
- 3) Código de la parte de requesto,
- 4) Cantidad pedida.

TAV. 567



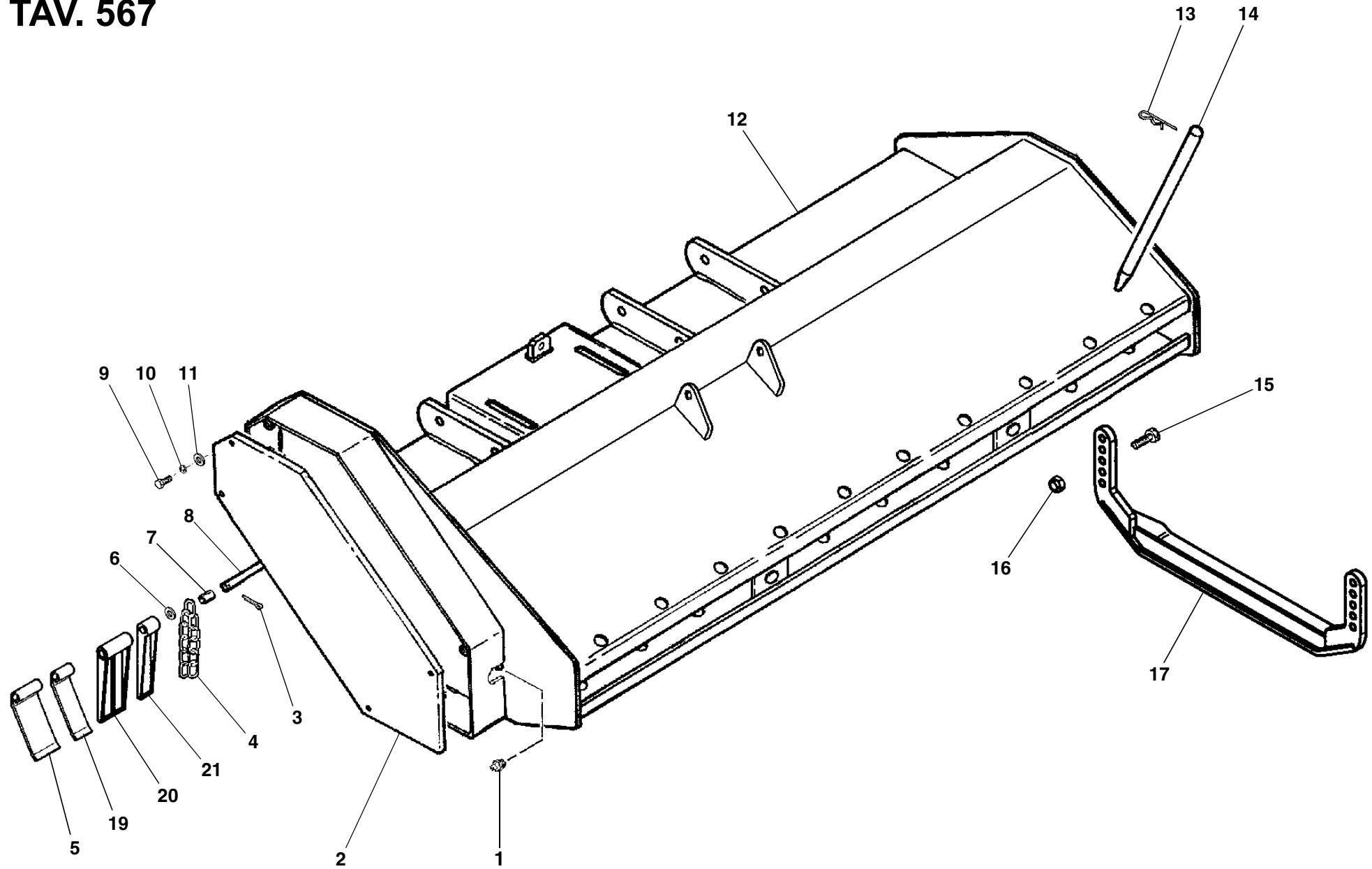
TAV. 567

RIF.	CODICE	DESCRIZIONE	N.
1	0002661	M10x1x90°	1
2	3002318	KP 850/2600	1
	3008337	KP 2800S/3200S	1
3	1559028	ø4,5x45 UNI1336	1
4	3001927	KP 850	27
	3001927	KP 1000	31
	3001927	KP 1250	40
	3001927	KP 1500	48
	3001927	KP 1750	56
	3001927	KP 2000	64
	3001927	KP 2250	72
	3001927	KP 2400	78
	3001927	KP 2600 - 2600 S	84
	3001927	KP 2800 S	90
	3001927	KP 3000 S	97
	3001927	KP 3200 S	102
5	3000197	L=70 KP 850	11
	3000197	L=70 KP 1000	13
	3000197	L=70 KP 1250	16
	3000197	L=70 KP 1500	20
	3000197	L=70 KP 1750	23
	3000197	L=70 KP 2000	26
	3000197	L=70 KP 2250	30
	3000197	L=70 KP 2400	32
	3000197	L=70 KP 2600 - 2600 S	34
	3000197	L=70 KP 2800 S	37
	3000197	L=70 KP 3000 S	40
	3000197	L=70 KP 3200 S	43
6	1114000	ø14 UNI6592	—

RIF.	CODICE	DESCRIZIONE	N.
7	3001545	KP 850	26
	3001545	KP 1000	31
	3001545	KP 1250	38
	3001545	KP 1500	46
	3001545	KP 1750	54
	3001545	KP 2000	61
	3001545	KP 2250	69
	3001545	KP 2400	74
	3001545	KP 2600 - 2600 S	80
	3001545	KP 2800 S	86
	3001545	KP 3000 S	92
	3001545	KP 3200 S	103
8	3001301	KP 850	1
	3000314	KP 1000	1
	3000315	KP 1250	1
	3000316	KP 1500	1
	3000317	KP 1750	1
	3000318	KP 2000	1
	3000444	KP 2250	1
	3004514	KP 2400	1
	3000445	KP 2600	1
	3000167	KP 2600 S	1
	3002604	KP 2800 S	1
	3006487	KP 3000 S	1
	3000168	KP 3200 S	1
9	1110804	M8x16 UNI5739 KP 850/2600	4
	1110804	M8x16 UNI573 KP 2600 S/3200 S	6
10	1508150	ø8 UNI6798A KP 850/2600	4
	1508150	ø8 UNI6798A KP 2600 S/3200 S	6

RIF.	CODICE	DESCRIZIONE	N.
11	1309243	ø9x24x3 KP 850/2600	4
	1309243	ø9x24x3 KP 2600 S/3200 S	6
12	3002437	KP 850	1
	3002556	KP 1000	1
	3001794	KP 1250	1
	3001367	KP 1500	1
	3001368	KP 1750	1
	3001369	KP 2000	1
	3002567	KP 2250	1
	3006308	KP 2400	1
	3002568	KP 2600	1
	3009439	KP 2600 S	1
	3008505	KP 2800 S	1
	3008509	KP 3000 S	1
	3008332	KP 3200 S	1
13	0002115	ø4 KP 850-1000	5
	0002115	ø4 KP 1250	7
	0002115	ø4 KP 1500	8
	0002115	ø4 KP 1750	10
	0002115	ø4 KP 2000	11
	0002115	ø4 KP 2250	12
	0002115	ø4 KP 2400	13
	0002115	ø4 KP 2600	14
14	3000091	KP 850-1000	5
	3000091	KP 1250	7
	3000091	KP 1500	8
	3000091	KP 1750	10
	3000091	KP 2000	11
	3000091	KP 2250	12

TAV. 567



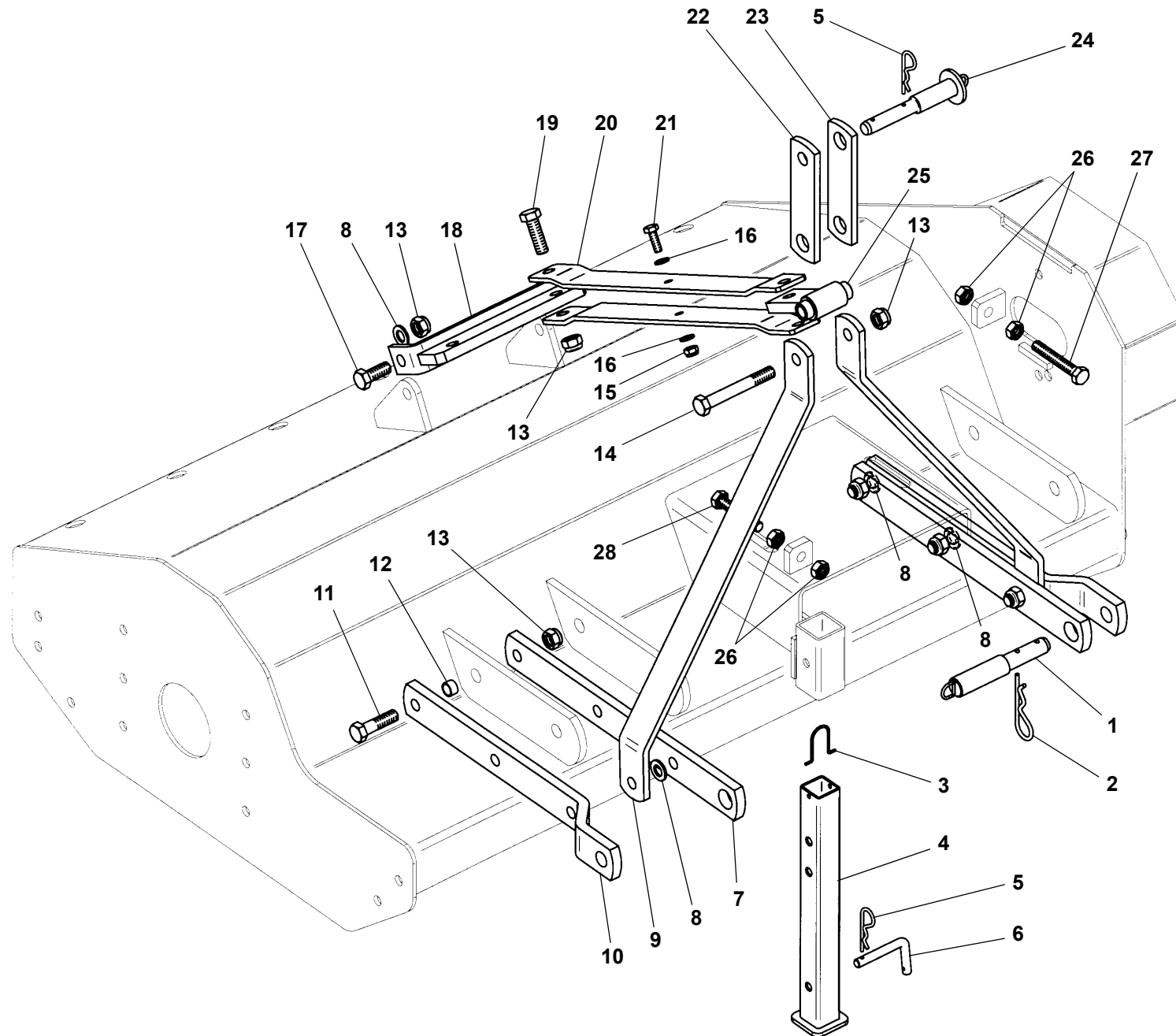
TAV. 567

RIF.	CODICE	DESCRIZIONE	N.
14	3000091	KP 2400	13
	3000091	KP 2600	14
15	1111414	M14x40 UNI5739	4
16	1012414	M14 UNI7474	4
17	3007049		2
19	3005252	L=30	—
	3005253	L=35	—
20	3008685	L=70 KP 850	11
	3008685	L=70 KP 1000	13
	3008685	L=70 KP 1250	16
	3008685	L=70 KP 1500	20
	3008685	L=70 KP 1750	23
	3008685	L=70 KP 2000	26
	3008685	L=70 KP 2250	30
	3008685	L=70 KP 2400	32
	3008685	L=70 KP 2600 - 2600 S	34
	3008685	L=70 KP 2800 S	37
	3008685	L=70 KP 3000 S	40
	3008685	L=70 KP 3200 S	43
21	3008686	L=32	—

RIF.	CODICE	DESCRIZIONE	N.
------	--------	-------------	----

RIF.	CODICE	DESCRIZIONE	N.
------	--------	-------------	----

TAV. 568



KP 1250

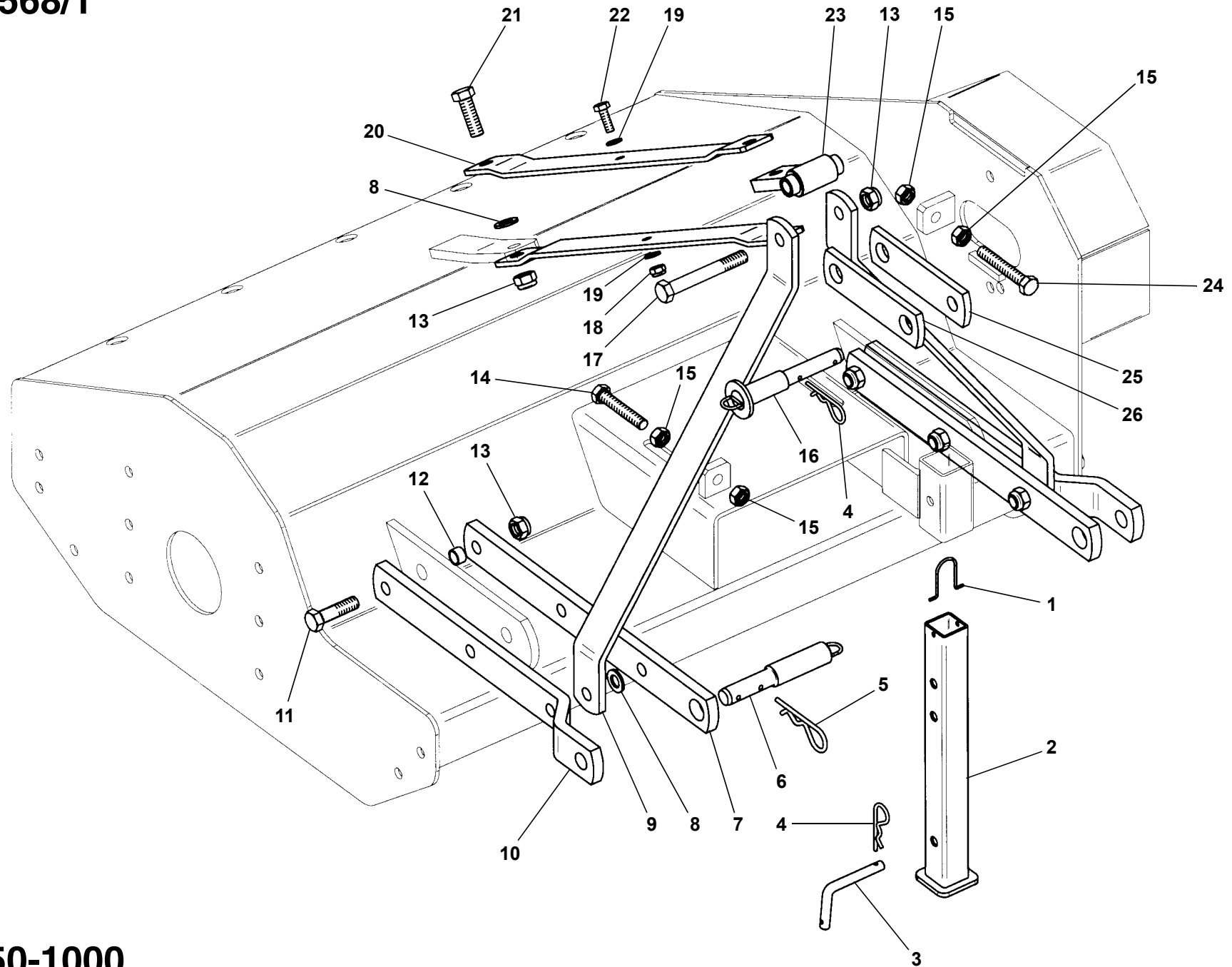
TAV. 568

RIF.	CODICE	DESCRIZIONE	N.
1	3000089		2
2	0002116	∅5	2
3	3007374		1
4	3000740		1
5	0002115	∅4	2
6	3000088		1
7	3004798		2
8	1116000	∅16 UNI6592	4
9	3000357		2
10	3000356		2
11	1101622	M16x60 UNI5737	6
12	3001800		4
13	1012416	M16 UNI7474	11
14	1101646	M16x120 UNI5737	1
15	1012410	M10 UNI7474	1
16	1110000	∅10 UNI6592	2
17	1111614	M16x40 UNI5739	2
18	3001480		1
19	1111618	M16x50 UNI5739	2
20	3000427		2
21	1111010	M10x30 UNI5739	1
22	3000354	∅19	1
23	3004799	∅25	1
24	3000090		1
25	3000071		1
26	1012514	M14 UNI5588	4

RIF.	CODICE	DESCRIZIONE	N.
27	1111434	M14x90 UNI5739	1
28	1111430	M14x80 UNI5739	1

RIF.	CODICE	DESCRIZIONE	N.
------	--------	-------------	----

TAV. 568/1



KP 850-1000

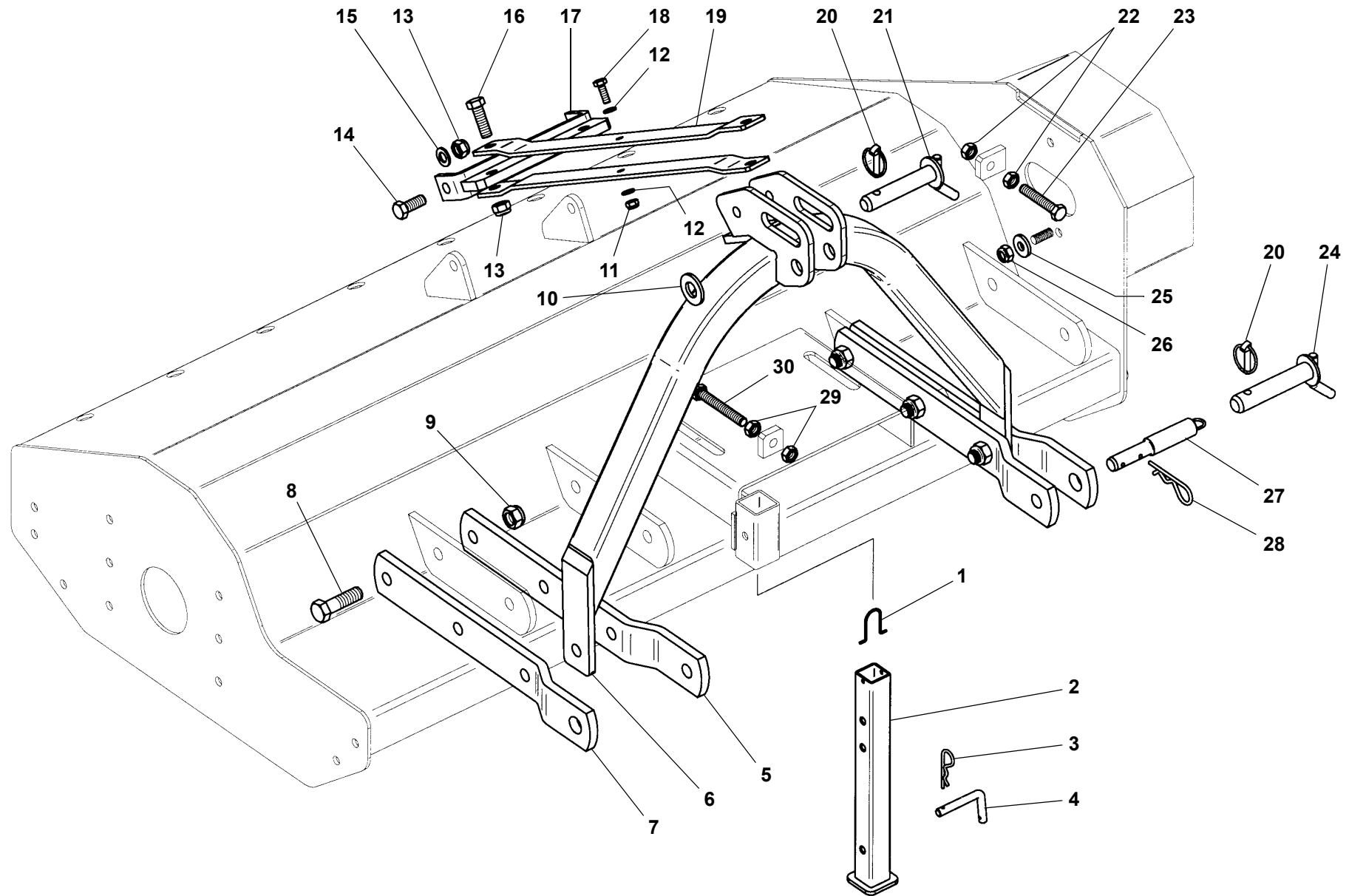
TAV. 568/1

RIF.	CODICE	DESCRIZIONE	N.
1	3007374		1
2	3000740		1
3	3000088		1
4	0002115	∅4	2
5	0002116	∅5	2
6	3000089		2
7	3004798		2
8	1116000	∅16 UNI6592	3
9	3000357		2
10	3000356		2
11	1101622	M16x60 UNI5737	6
12	3001800		4
13	1012416	M16 UNI7474	9
14	1111430	M14x80 UNI5739	1
15	1012514	M14 UNI5588	4
16	3000090		1
17	1101646	M16x120 UNI5737	1
18	1012410	M10 UNI7474	1
19	1110000	∅10 UNI6592	2
20	3000427		2
21	1111618	M16x50 UNI5739	2
22	1111010	M10x30 UNI5739	1
23	3000071		1
24	1111434	M14x90 UNI5739	1
25	3000354	∅19	1
26	3004799	∅25	1

RIF.	CODICE	DESCRIZIONE	N.
------	--------	-------------	----

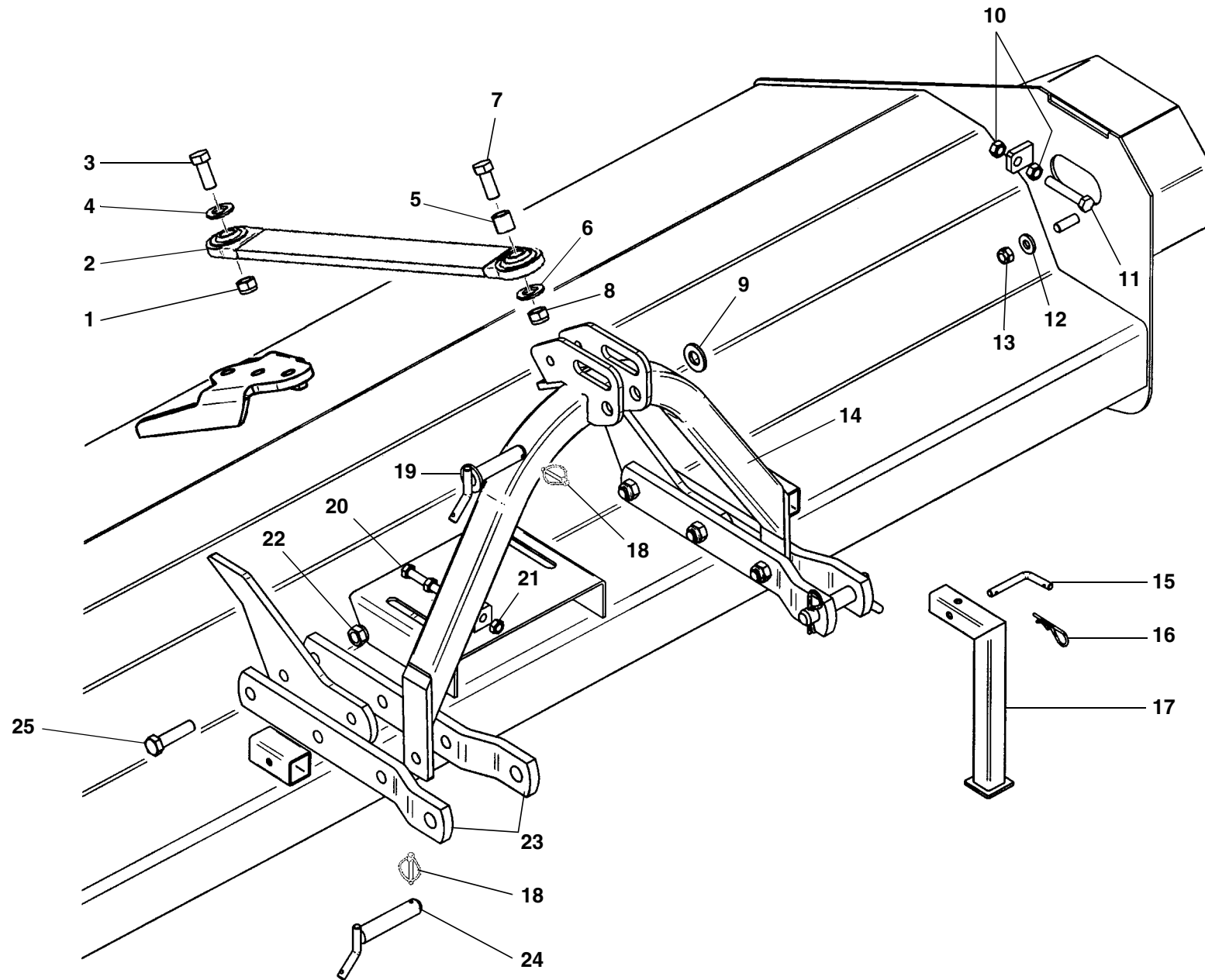
RIF.	CODICE	DESCRIZIONE	N.
------	--------	-------------	----

TAV. 569



KP 1500-1750-2000-2250-2400-2600

TAV. 569/1



KP 2600 S - 2800 S - 3000 S - 3200 S

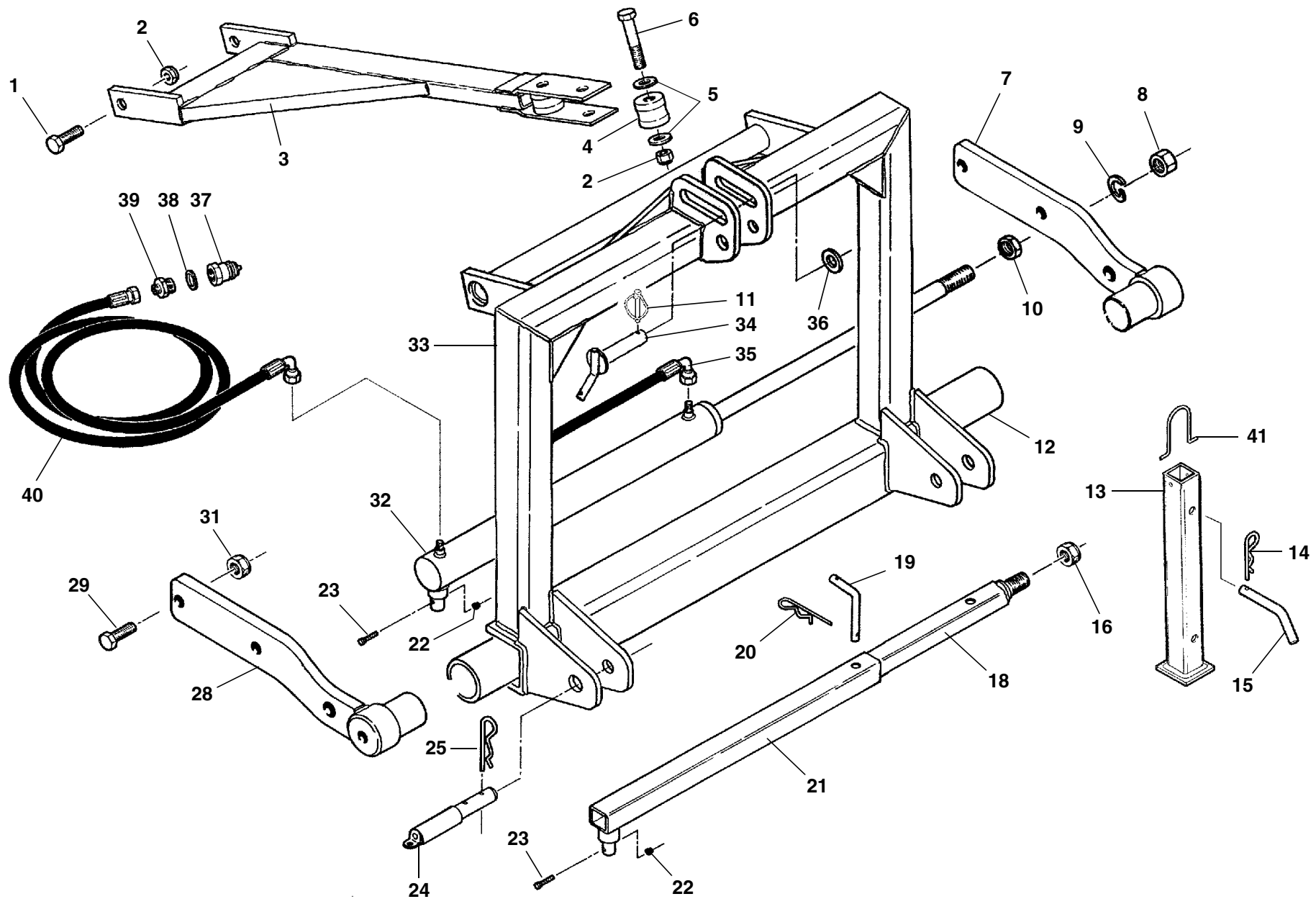
TAV. 569/1

RIF.	CODICE	DESCRIZIONE	N.
1	1012422	M22 UNI7474	1
2	3008341		1
3	1102230	M22x80 UNI5737	1
4	1124000	ø24 UNI6592	1
5	3009838		1
6	3001120	ø16,5x35x5	1
7	1101626	M16x70 UNI5737	1
8	1012416	M16 UNI7474	1
9	3000178		1
10	1012516	M16 UNI5588	2
11	1111638	M16x100 UNI5739 (540 rpm)	1
	1111646	M16x120 UNI5739 (1000 rpm)	1
12	3001120	ø16,5x35x5	1
13	1012416	M16 UNI7474	1
14	3007704		1
15	3000088		2
16	0002115	ø4	2
17	3000362		2
18	0002101	ø9	3
19	3001508		1
20	1111436	M14x100 UNI5739 (540 rpm)	1
	1111430	M14x90 UNI5739 (1000 rpm)	1
21	1012514	M14 UNI5588	2
22	1012420	M20 UNI7474	6
23	3000363		4
24	3000406		2
25	1102030	M20x80 UNI5737	6

RIF.	CODICE	DESCRIZIONE	N.
------	--------	-------------	----

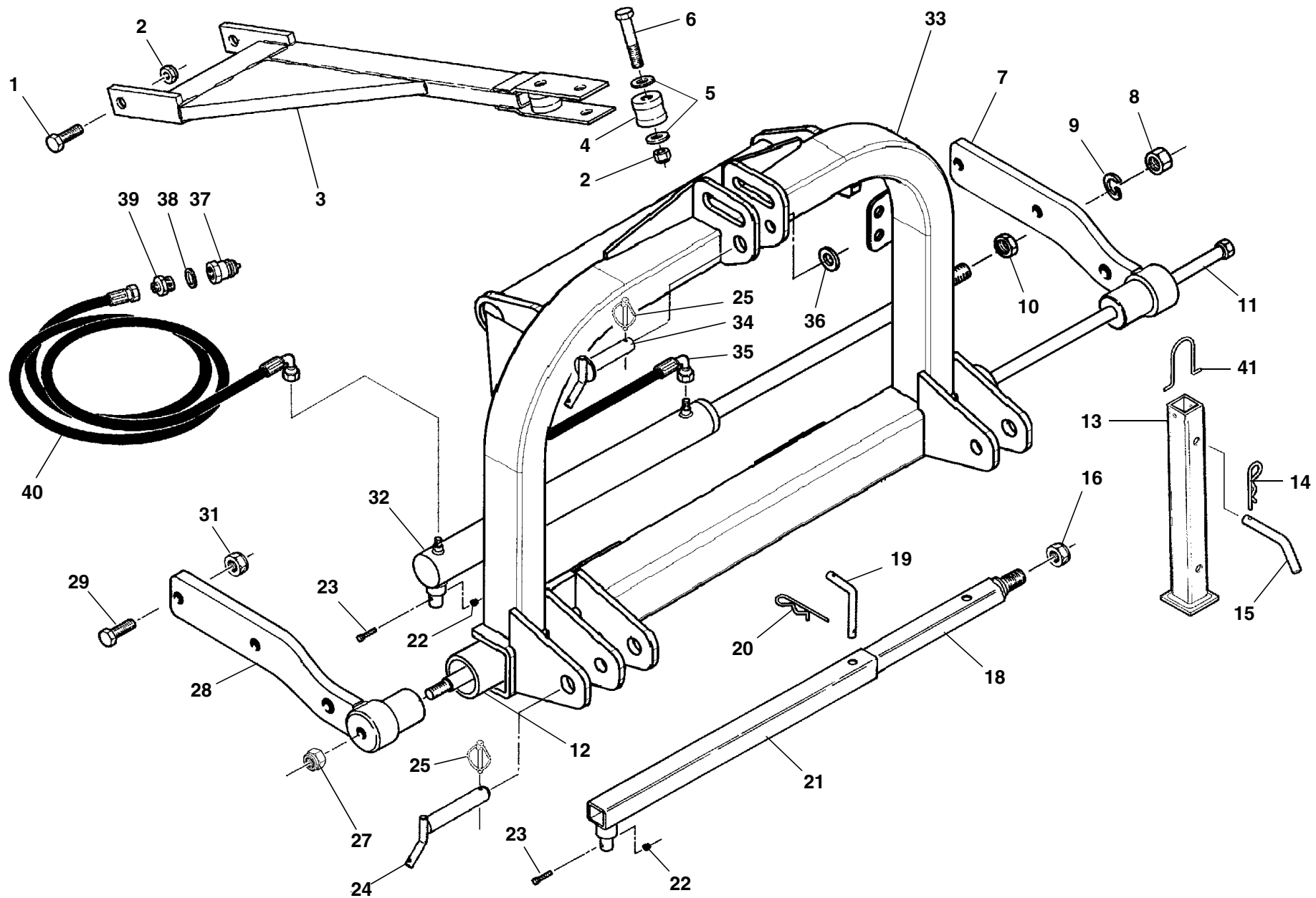
RIF.	CODICE	DESCRIZIONE	N.
------	--------	-------------	----

TAV. 570



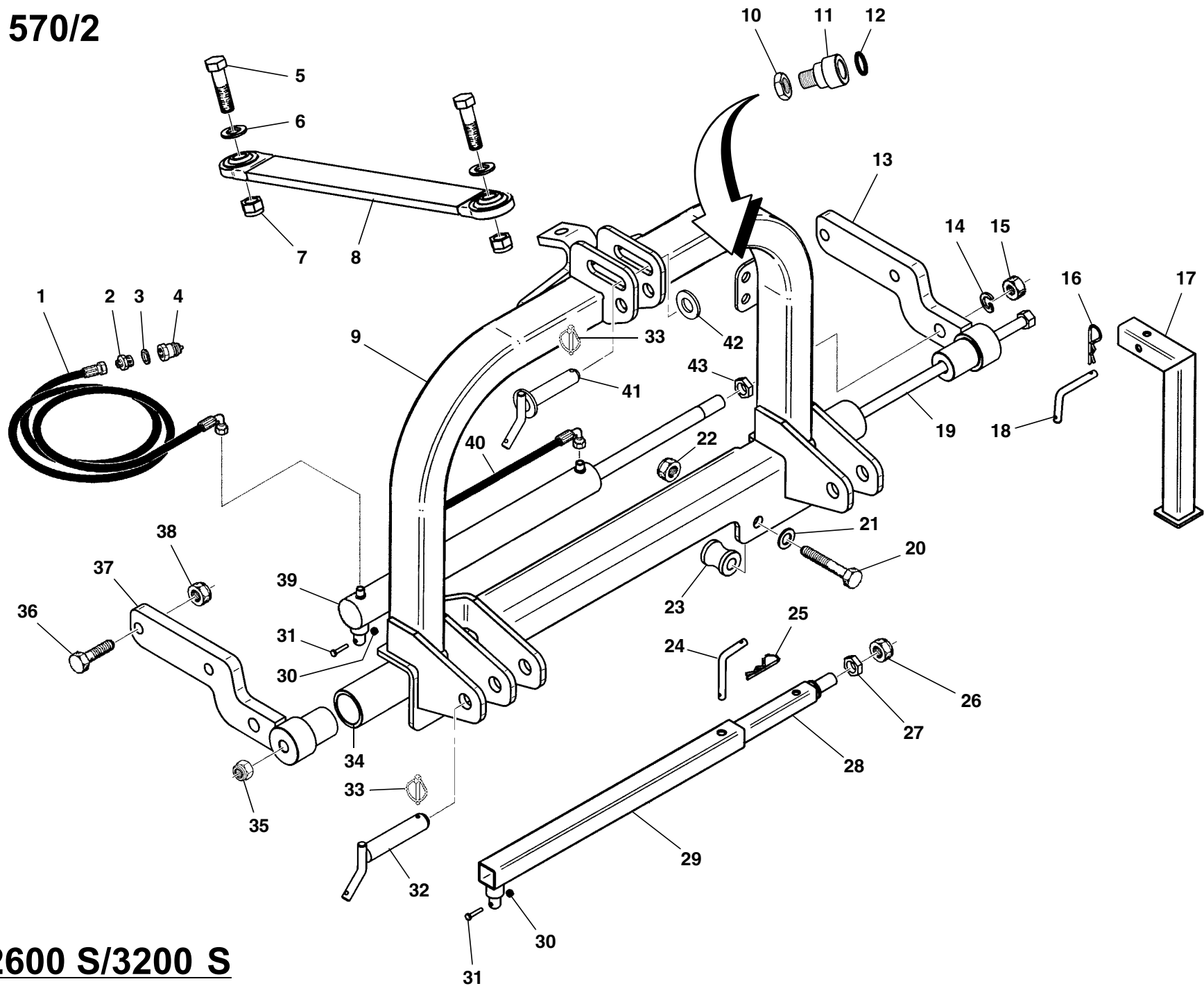
KP 1250/2000

TAV. 570/1



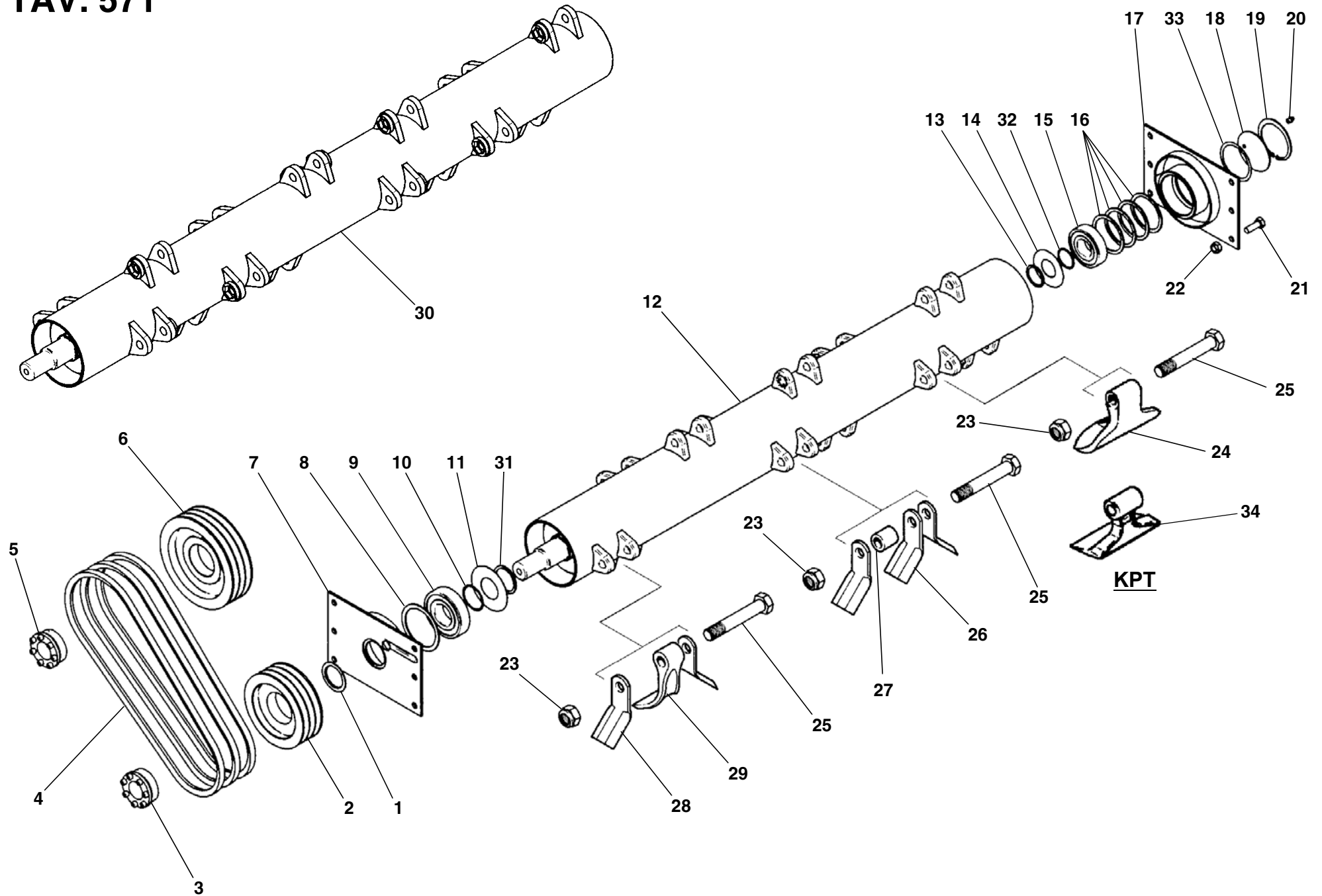
KP 2250 - 2400 - 2600

TAV. 570/2



KP 2600 S/3200 S

TAV. 571



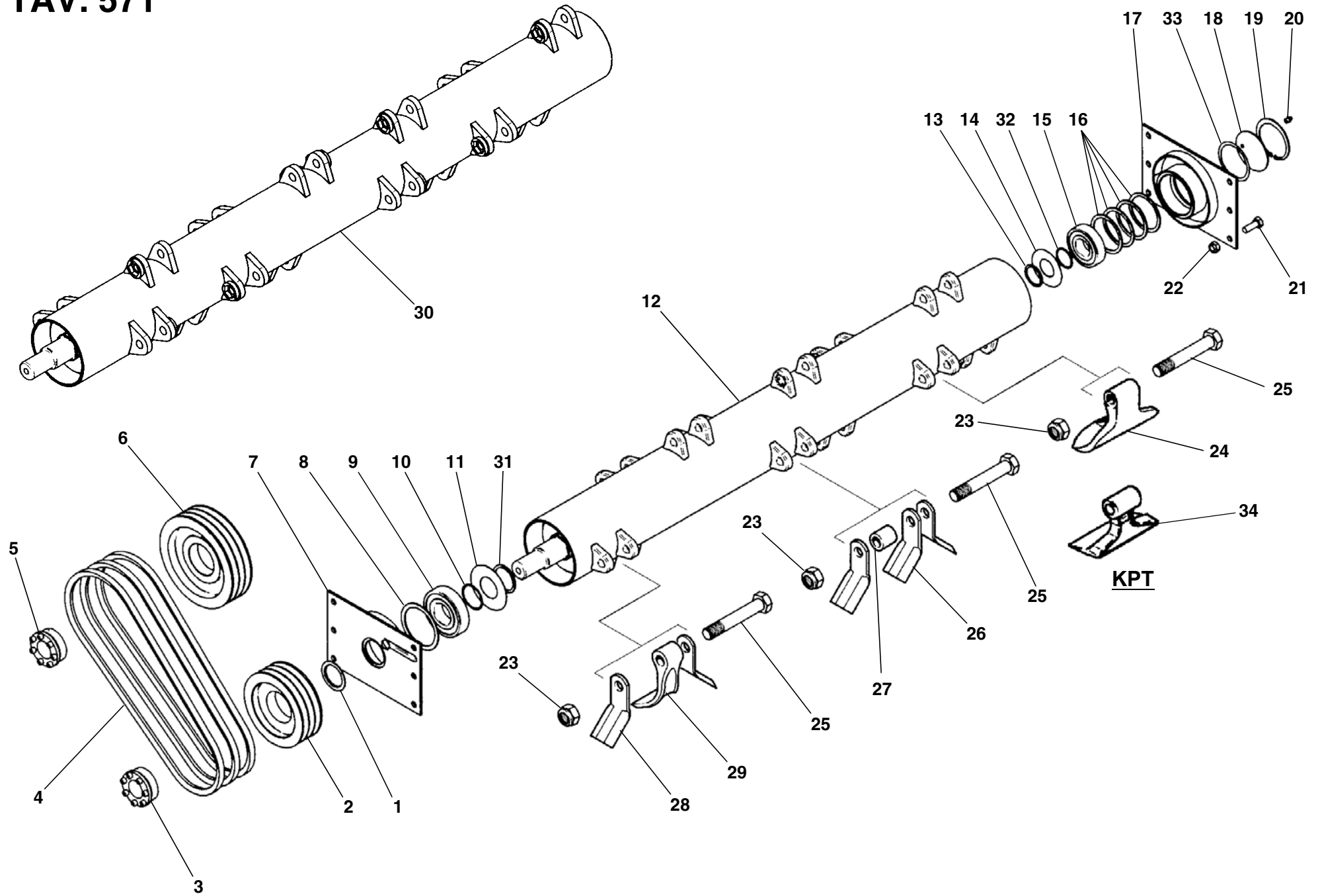
TAV. 571

RIF.	CODICE	DESCRIZIONE	N.
1	0001821	55x75x5,5	1
2	3000380	130x3 SPB KP 850/1250 (540 rpm)	1
	3000369	180x3 SPB KP 1500 (540 rpm)	1
	3000370	180x4 SPB KP 1750-2000 (540 rpm)	1
	3000099	160x5 SPB KP 2250/2600 (540 rpm)	1
	3000497	180x5 SPB KP 2600S/3000S (540 rpm)	1
	3000099	160x5 SPB KP 3200 (540 rpm)	1
	3000369	180x3 SPB KP 850/1250 (1000 rpm)	1
	3001663	225x3 SPB KP 1500 (1000 rpm)	1
	3001027	225x4 SPB KP 1750-2000 (1000 rpm)	1
	3000907	200x5 SPB KP 2250/3000S (1000 rpm)	1
	3001359	225x5 SPB KP 3200S (1000 rpm)	1
3	0001332	45x80	1
4	0001006	SPB-X 1320 KP 850/1250 (540-1000 rpm)	3
	0001016	SPB-X 1400 KP 1500 (540-1000 rpm)	3
	0001016	SPB-X 1400 KP 1750-2000 (540-1000 rpm)	4
	0001006	SPB-X 1320 KP 2250/2600 (540 rpm)	5
	0001016	SPB-X 1400 KP 2250/2600 (1000 rpm)	5
	0001016	SPB-X 1400 KP 2600S/3000S (540-1000 rpm)	5
	0001016	SPB-X 1400 KP 3200S (540rpm)	5
	0001000	SPB-X 1500 KP 3200S (1000 rpm)	5
5	0001333	35x80 KP 850/1250	1
	0001332	45x80 KP 1500/3200 S	1
6	3000369	180x3 SPB KP 850/1250 (540 rpm)	1

RIF.	CODICE	DESCRIZIONE	N.
	3001663	225x3 SPB KP 1500 (540 rpm)	1
	3001027	225x4 SPB KP 1750-2000 (540 rpm)	1
	3000497	180x5 SPB KP 2250/2600 (540 rpm)	1
	3000725	212x5 SPB KP 2600S/3000S (540 rpm)	1
	3000497	180x5 SPB KP 3200S (540 rpm)	1
	3000380	130x3 SPB KP 850/1250 (1000 rpm)	1
	3000368	160x3 SPB KP 1500 (1000 rpm)	1
	3000102	160x4 SPB KP 1750-2000 (1000 rpm)	1
	3000497	180x5 SPB KP 2250/3000S (1000 rpm)	1
	3000907	200x5 SPB KP 3200S (1000 rpm)	1
7	3000225	Sx KP 850/2600	1
	3001404	Sx KP 2600S/3000S	1
	3008334	Sx KP 3200S	1
8	3001936	99x119x3	—
9	0001400	1311	1
10	3000347	58x65x1	—
11	3000346		1
12	3001279	KP 850	1
	3000286	KP 1000	1
	3000287	KP 1250	1
	3000288	KP 1500	1
	3000277	KP 1750	1
	3004281	KP 2000	1
	3000385	KP 2250	1
	3004502	KP 2400	1
	3000391	KP 2600	1

RIF.	CODICE	DESCRIZIONE	N.
	3002432	KP 2600 S	1
	3001414	KP 2800S	1
	3006481	KP 3000S	1
	3003054	KP 3200S	1
13	3002681	45,2x55x2 KP 850/3000S	—
	3000347	58x65x1 KP 3200S	—
14	3000345	KP 850/3000S	1
	3000346	KP 3200S	1
15	0001401	1309 KP 850/3000S	1
	0001400	1311 KP 3200S	1
16	3001935	89,2x99x3 KP 850/3000S	—
	3001936	99x119x3 KP 3200S	—
17	3001009	Dx KP 850/2600	1
	3001405	Dx KP 2600S/3000S	1
	3008335	Dx KP 3200S	1
18	3001012	KP 850/3000S	1
	3003067	KP 3200S	1
19	1020100	Seeger I 100 UNI7437 KP 850/3000S	1
	1020120	Seeger I 120 UNI7437 KP 3200S	1
20	0002654	M10x1	1
21	1111410	M14x30 UNI5739	12
22	1012414	M14 UNI7474	12
23	1012420	M20 UNI7474 KP 850-1000	8
	1012420	M20 UNI7474 KP 1250-1500	12
	1012420	M20 UNI7474 KP 1750	16

TAV. 571



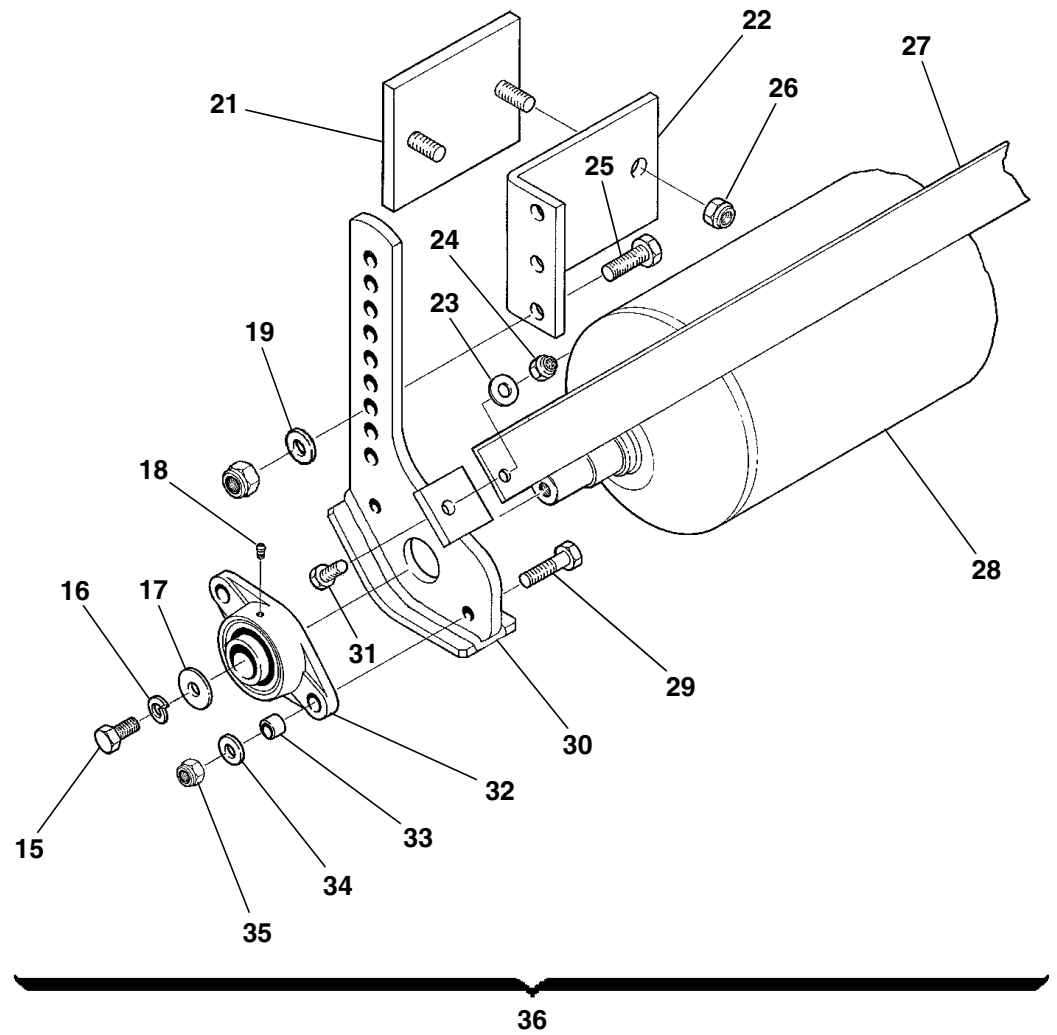
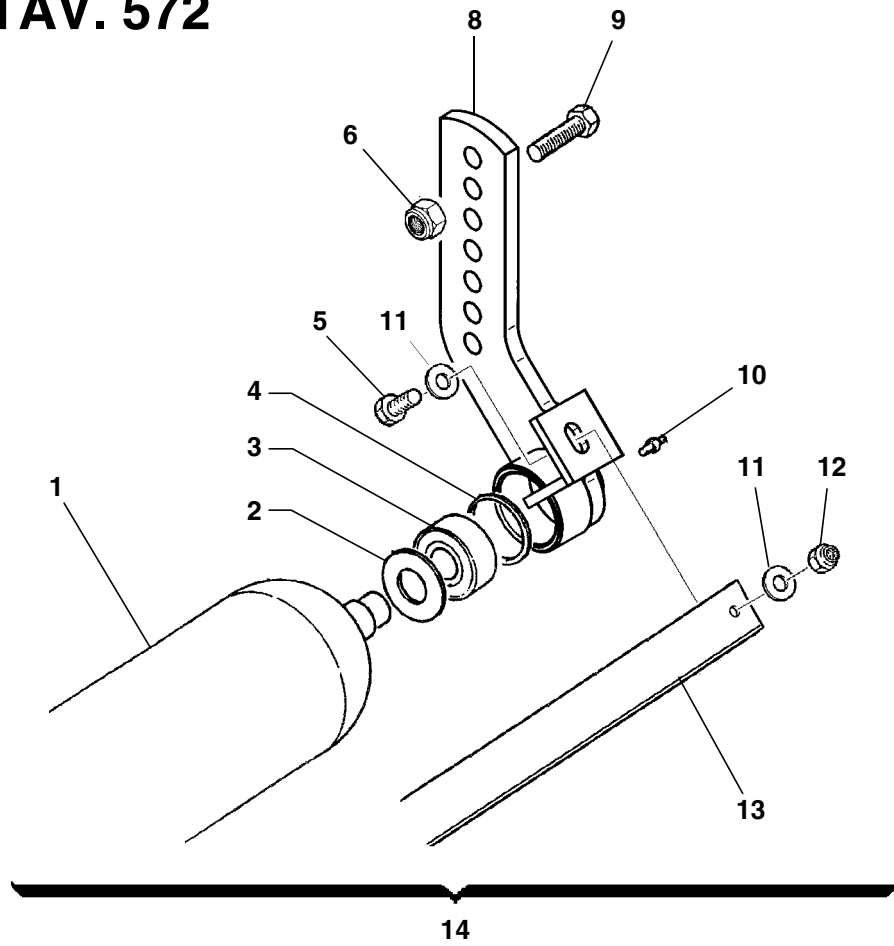
TAV. 571

RIF.	CODICE	DESCRIZIONE	N.
24	1012420	M20 UNI7474 KP 2000/2400	20
	1012420	M20 UNI7474 KP 2600	24
	1012420	M20 UNI7474 KP 2800S/3200S	32
	3001119	KP 850-1000	8
	3001119	KP 1250-1500	12
	3001119	KP 1750	16
	3001119	KP 2000/2400	20
	3001119	KP 2600 - 2600 S	24
25	3001119	KP 2800S/3200S	32
	3002392	M20x120 KP 850-1000	8
	3002392	M20x120 KP 1250-1500	12
	3002392	M20x120 KP 1750	16
	3002392	M20x120 KP 2000/2400	20
	3002392	M20x120 KP 2600 - 2600 S	24
26	3002392	M20x120 KP 2800S/3200S	32
	3000323	KP 850-1000	24
	3000323	KP 1250-1500	36
	3000323	KP 1750	48
	3000323	KP 2000/2400	60
	3000323	KP 2600 - 2600 S	72
27	3000323	KP 2800S/3200S	96
	3000552	KP 850-1000	8
	3000552	KP 1250-1500	12
	3000552	KP 1750	16
	3000552	KP 2000/2400	20
	3000552	KP 2600 - 2600 S	24

RIF.	CODICE	DESCRIZIONE	N.	
28	3000552	KP 2800S/3200S	32	
	3000323	KP 850-1000	16	
	3000323	KP 1250-1500	24	
	3000323	KP 1750	32	
	3000323	KP 2000/2400	40	
	3000323	KP 2600 - 2600 S	48	
	3000323	KP 2800S/3200S	64	
	29	3000548	KP 850-1000	8
		3000548	KP 1250-1500	12
		3000548	KP 1750	16
3000548		KP 2000/2400	20	
30	3000548	KP 2600 - 2600 S	24	
	3000548	KP 2800S/3200S	32	
	3007877	KP 1250	1	
	3006483	KP 1500	1	
	3006006	KP 1750	1	
	3006007	KP 2000	1	
	3006347	KP 2250	1	
	31	3000640	58,5x71x3	—
	32	3000180	45x51,5x1,5 KP 850/3000S	—
		3000347	58x65x1 KP 3200S	—
33	3001123	83,5x99x1 KP 850/3000S	—	
	3004403	99x119x1 KP 3200S	—	
34	3011270	KP 850-1000	8	
	3011270	KP 1250-1500	12	
	3011270	KP 1750	16	

RIF.	CODICE	DESCRIZIONE	N.
	3011270	KP 2000/2400	20
	3011270	KP 2600 - 2600 S	24
	3011270	KP 2800S/3200S	32

TAV. 572



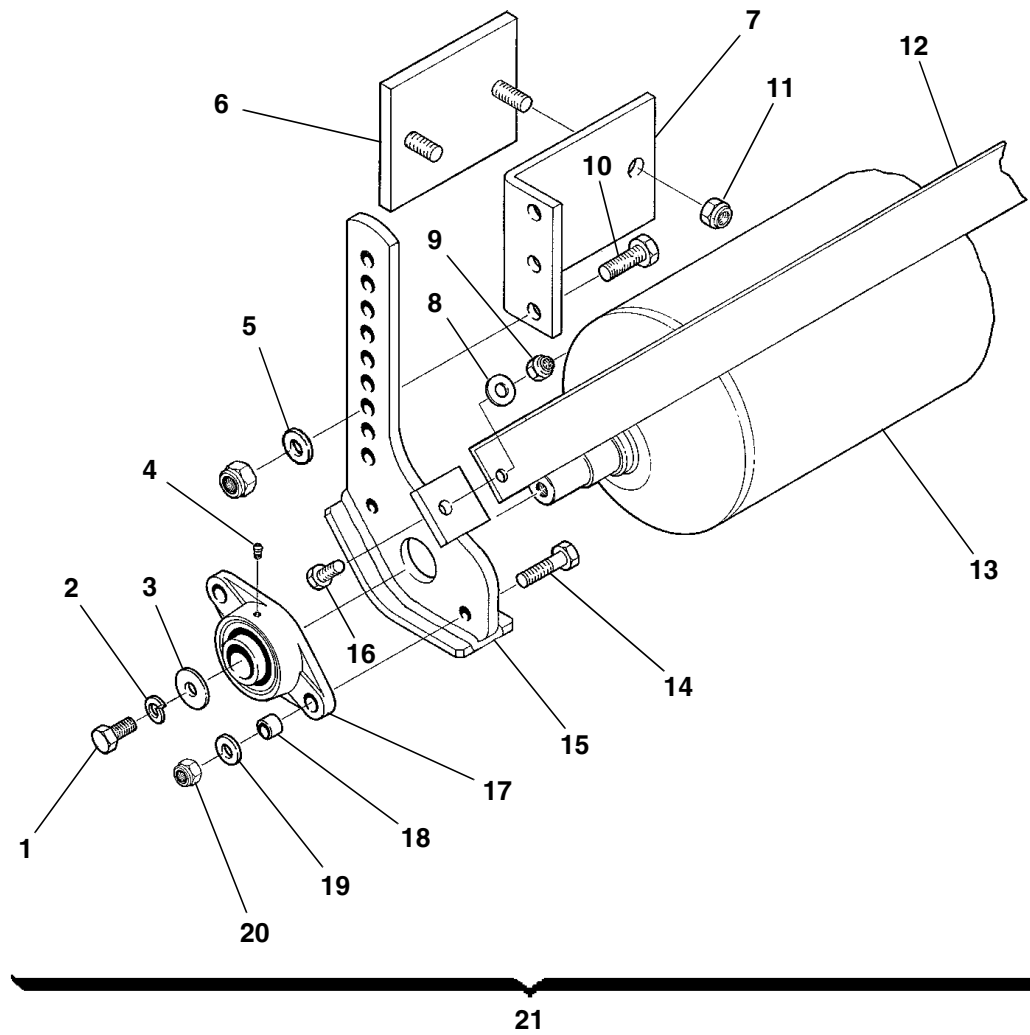
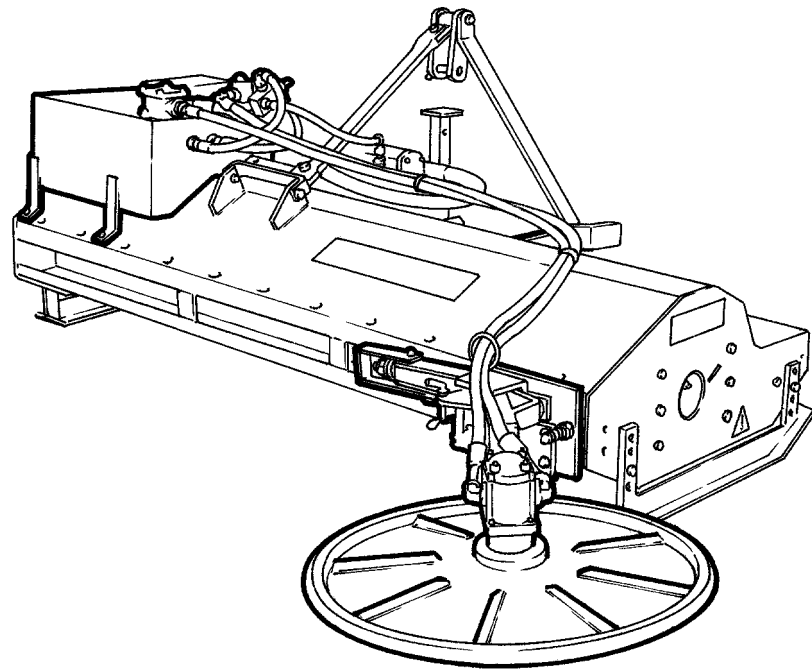
TAV. 572

RIF.	CODICE	DESCRIZIONE	N.
1	3001299	KP 850	1
	3000428	KP 1000	1
	3001795	KP 1250	1
	3001263	KP 1500	1
	3001264	KP 1750	1
	3001265	KP 2000	1
	3002540	KP 2250	1
	3004517	KP 2400	1
	3002562	KP 2600	1
2	3000486		2
3	0001411	6205 2RS	2
4	3000180	45x51,5x1,5	—
5	1111010	M10x30 UNI5739	2
6	1012414	M14 UNI7474	4
8	3001853	Dx	1
	3001854	Sx	1
9	1111414	M14x40 UNI5739	4
10	0002654	M10x1	2
11	1310303	10x30x3 UNI6593	4
12	1012410	M10 UNI7474	2
13	3001302	KP 850	1
	3001226	KP 1000	1
	3001796	KP 1250	1
	3001370	KP 1500	1
	3001371	KP 1750	1
	3001372	KP 2000	1
	3002541	KP 2250	1
	3004518	KP 2400	1

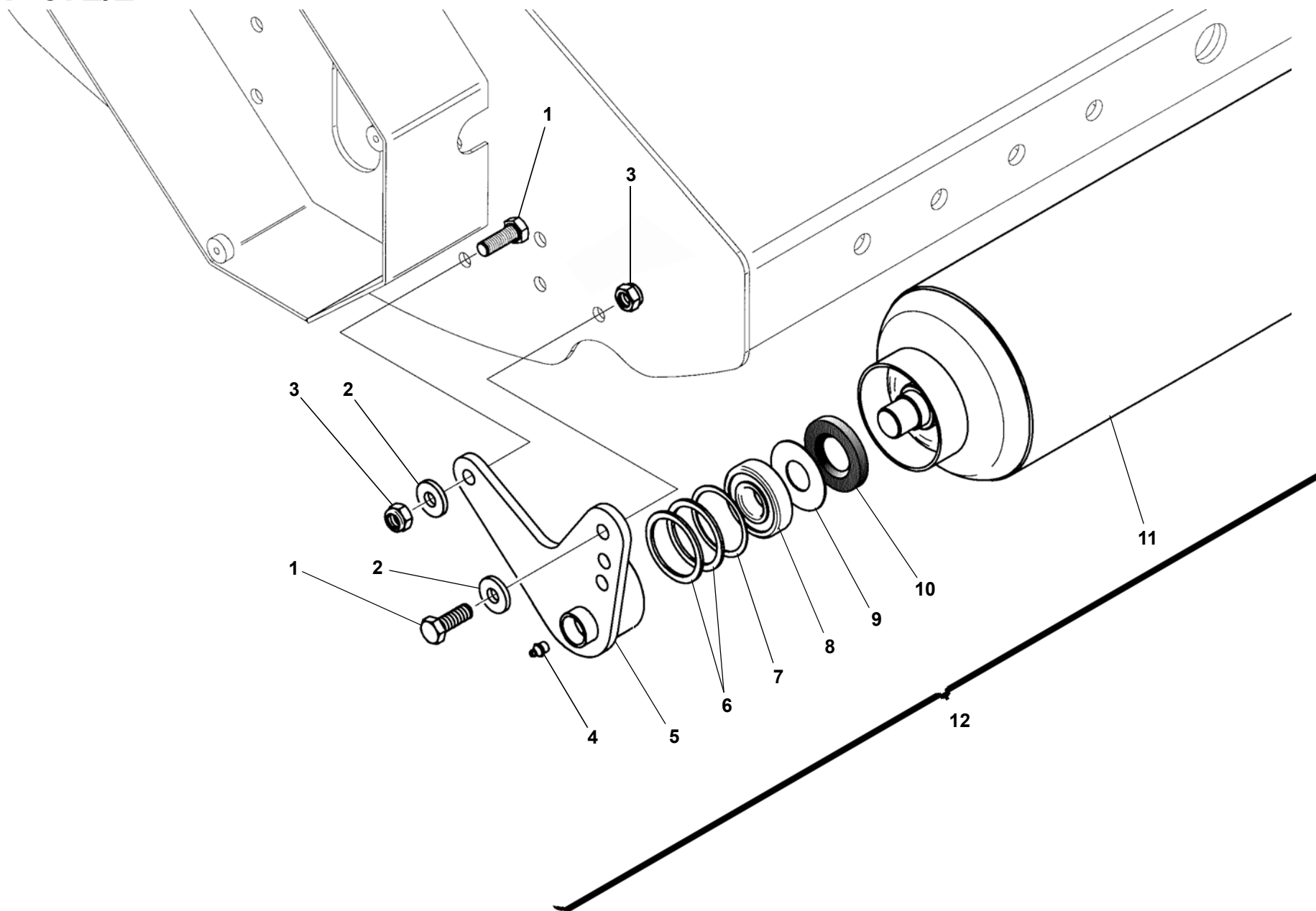
RIF.	CODICE	DESCRIZIONE	N.
	3002563	KP 2600	1
14	8391001	KP 850	1
	8231001	KP 1000	1
	8241001	KP 1250	1
	8251001	KP 1500	1
	8261001	KP 1750	1
	8271001	KP 2000	1
	8281001	KP 2250	1
	8940001	KP 2400	1
	8291002	KP 2600	1
15	1111208	M12x25 UNI5739	2
16	1212000	∅12 UNI1751	2
17	1312363	∅12 UNI6593	2
18	0002659	M6	2
19	1012414	M14 UNI7474	4
21	3000157	KP 1250/2400	2
	3002035	KP 2600	2
22	3000057		2
23	1310303	∅10 UNI6593 KP 1250/2000	4
	1312363	∅12 UNI6593 KP 2250/2600	4
24	1012410	M10 UNI7474 KP 1250/2000	2
	1012412	M12 UNI7474 KP 2250/2600	2
25	1111414	M14x40 UNI5739	4
26	1012414	M14 UNI7474 KP 1250/2400	4
	1012416	M16 UNI7474 KP 2600	4
27	3001089	KP 1250	1
	3002190	KP 1500	1
	3002564	KP 1750	1

RIF.	CODICE	DESCRIZIONE	N.
	3001091	KP 2000	1
	3001092	KP 2250-2400	1
	3002154	KP 2600	1
28	3000543	KP 1250	1
	3001872	KP 1500	1
	3002466	KP 1750	1
	3000545	KP 2000	1
	3000546	KP 2250-2400	1
	3002153	KP 2600	1
29	1101216	M12x45 UNI5737	4
30	3002527	Dx	1
	3002528	Sx	1
31	1111010	M10x30 UNI5739 KP 1250/2000	2
	1111212	M12x35 UNI5739 KP 2250/2600	2
32	0001412		2
33	3000513		4
34	1112000	∅12 UNI6592	4
35	1012412	M12 UNI7474	4
36	8241009	KP 1250	1
	8251005	KP 1500	1
	8261002	KP 1750	1
	8271002	KP 2000	1
	8040002	KP 2250-2400	1
	8490001	KP 2600	1

TAV. 572/1



TAV. 572/2



KP 2600 S - 2800 S - 3000 S - 3200 S

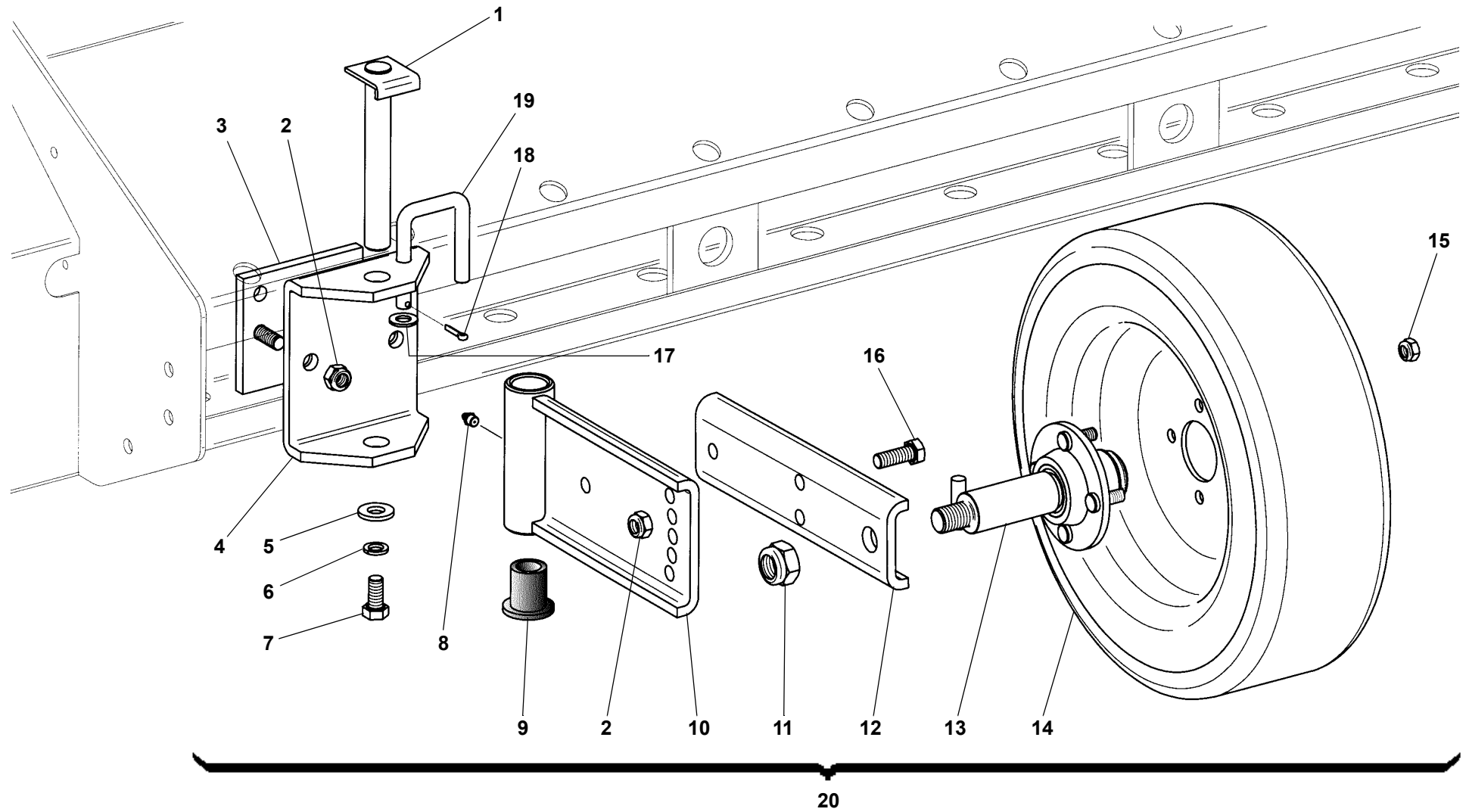
TAV. 572/2

RIF.	CODICE	DESCRIZIONE	N.
1	1111414	M14x40 UNI5739	4
2	3001118	ø14,5x35x5	4
3	1012414	M14 UNI7474	4
4	0002654	M10x1	2
5	3005628	Dx	1
	3005629	Sx	1
6	3000640	58,5x71x3	4
7	3000181	61x71,5x1,5	2
8	0001521	21306	2
9	3000648		2
10	0001805	35x72x10	2
11	3002429	KP 2600 S	1
	3001435	KP 2800S	1
	3008453	KP 3000S	1
	3003086	KP 3200S	1
12	8291015	KP 2600 S	1
	8860017	KP 2800S	1
	8862006	KP 3000S	1
	8863002	KP 3200S	1

RIF.	CODICE	DESCRIZIONE	N.
------	--------	-------------	----

RIF.	CODICE	DESCRIZIONE	N.
------	--------	-------------	----

TAV. 573



KP 850/2000

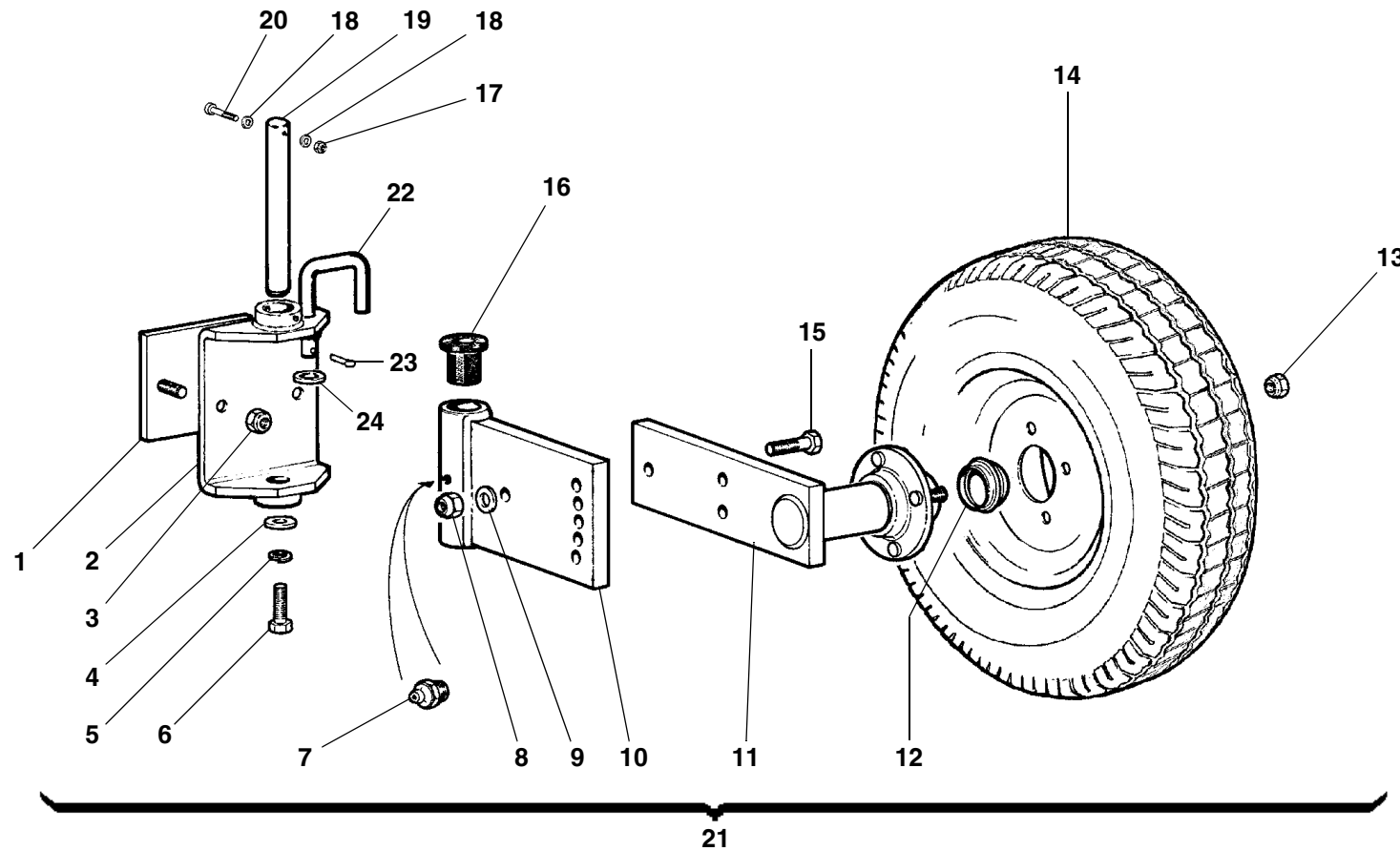
TAV. 573

RIF.	CODICE	DESCRIZIONE	N.
1	3000077		1
2	1012414	M14 UNI7474	4
3	3000157		1
4	3009456	Dx	1
	3009455	Sx	1
5	3001118	14,5x35x5	1
6	1214000	ø14 UNI1751	1
7	1111410	M14x30 UNI5739	1
8	0002654	M10x1	1
9	3000078		2
10	3000146		1
11	1022424	M24x2 UNI7474	1
12	3000059		1
13	3002891		1
14	0003639	145/10	1
15	0003701		4
16	1111414	M14x40 UNI5739	2
17	1114000	ø14 UNI 6592	1
18	1559024	ø4,5x20 UNI1336	1
19	3009414		1
20	6010001	Dx	1
	6010002	Sx	1

RIF.	CODICE	DESCRIZIONE	N.
------	--------	-------------	----

RIF.	CODICE	DESCRIZIONE	N.
------	--------	-------------	----

TAV. 573/1



KP 2250/2600

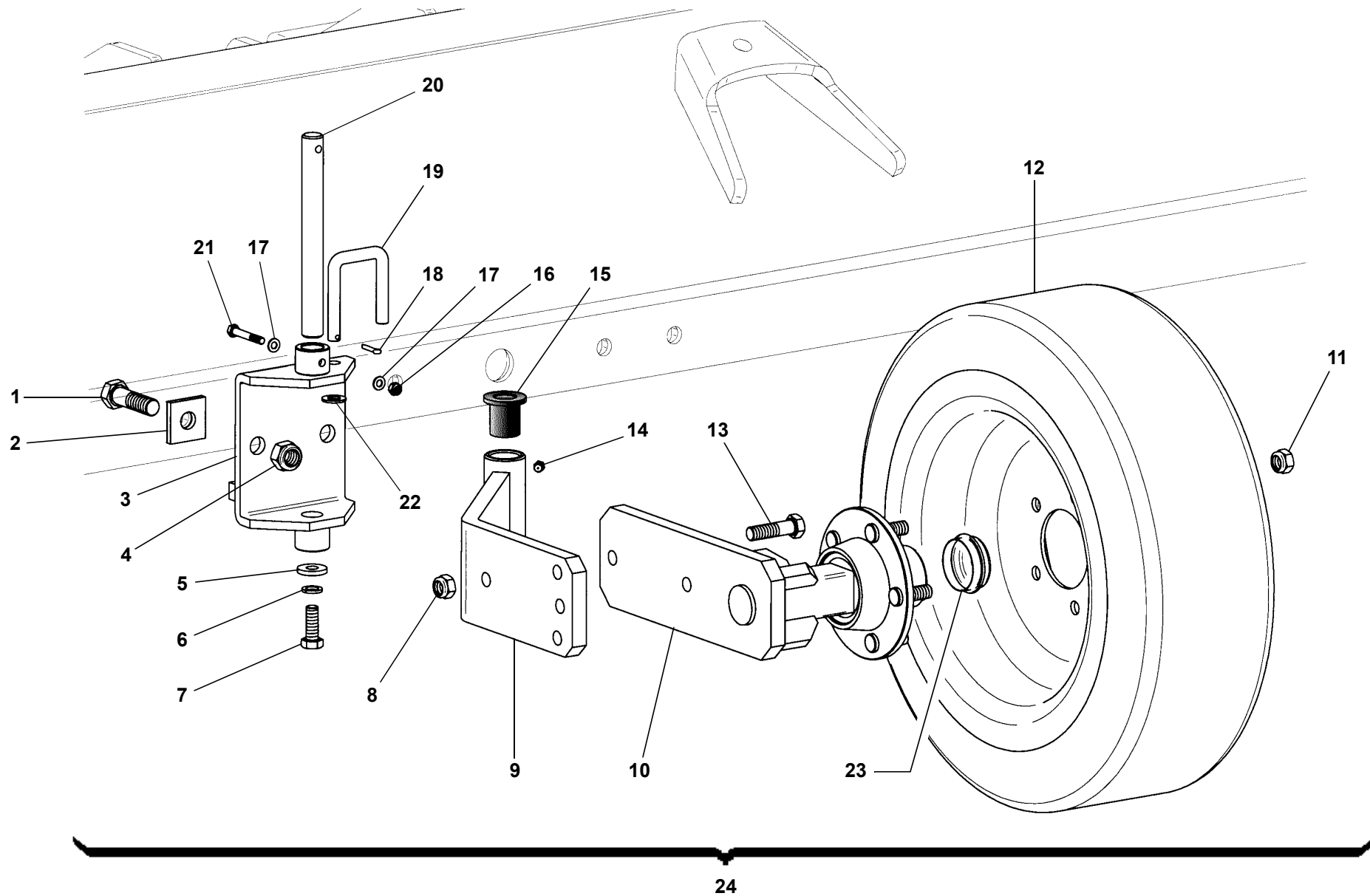
TAV. 573/1

RIF.	CODICE	DESCRIZIONE	N.
1	3002035		1
2	3004461	Dx	1
	3004462	Sx	1
3	1012416	M16 UNI7474	2
4	3001118	ø14,5x35x5	1
5	1214000	ø14 UNI1751	1
6	1111410	M14x30 UNI5739	1
7	0002654	M10x1	1
8	1012414	M14 UNI7474	2
9	1114000	ø14 UNI6592	2
10	3002152		2
11	3001989		2
12	0003713		1
13	0003701		4
14	0003560	165/70R13	1
15	1101426	M14x70 UNI5737	2
16	3000078		2
17	1012408	M8 UNI7474	1
18	1108000	ø8 UNI6592	2
19	3004400		1
20	1120820	M8x55 UNI5931	1
21	6490001	Dx	1
	6490002	Sx	1
22	3009414		1
23	1159024	4,5x20 UNI1336	1
24	1114000	ø14 UNI6592	1

RIF.	CODICE	DESCRIZIONE	N.
------	--------	-------------	----

RIF.	CODICE	DESCRIZIONE	N.
------	--------	-------------	----

TAV. 573/2



KP 2600 S - 2800 S - 3000 S - 3200 S

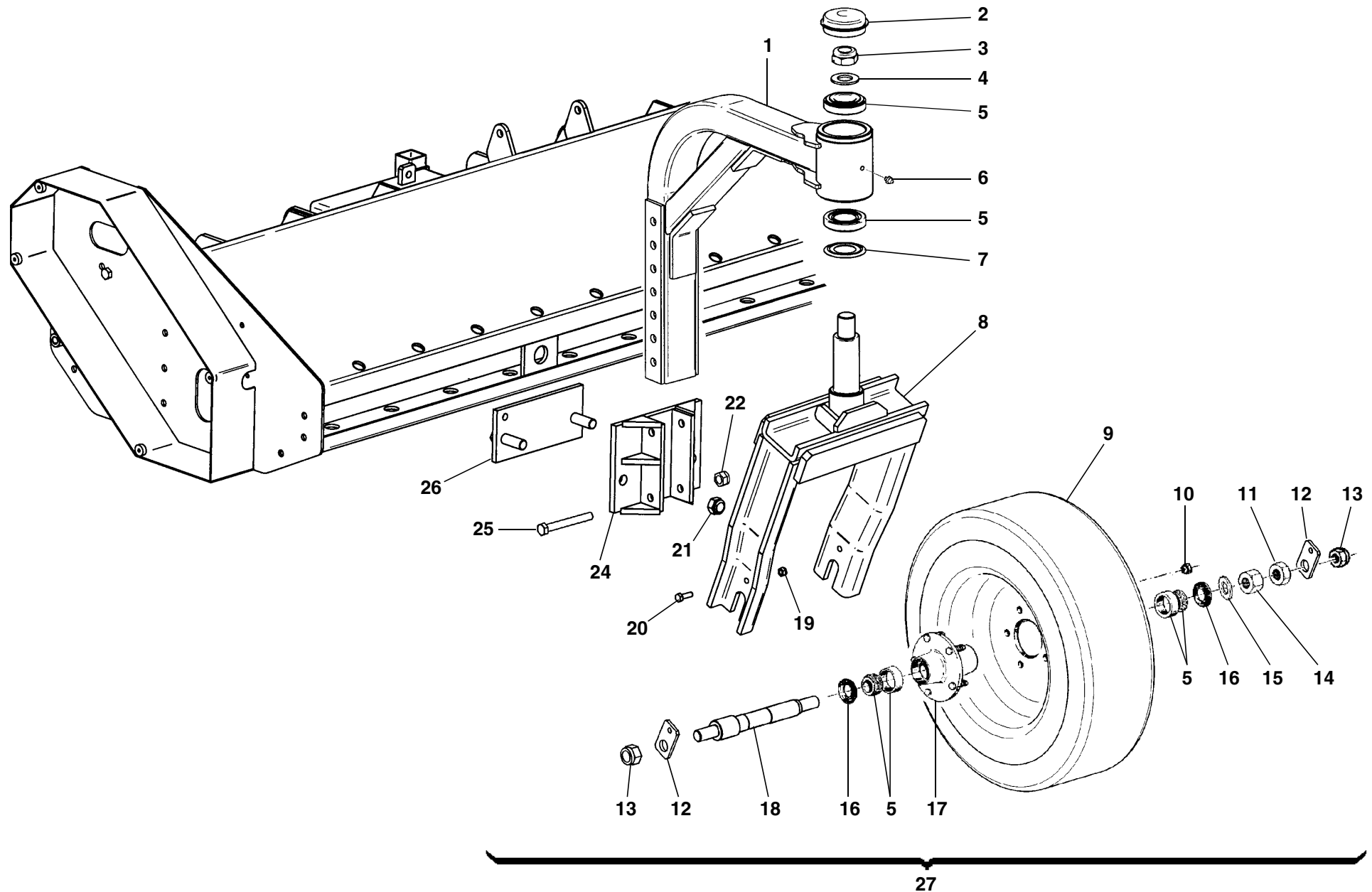
TAV. 573/2

RIF.	CODICE	DESCRIZIONE	N.
1	1102026	M20x70 UNI5737	2
2	3001028		2
3	3009452	Dx	1
	3009451	Sx	1
4	1012420	M20 UNI7474	2
5	3001118	ø14,5x35x5	1
6	1214000	ø14 UNI1751	1
7	1111414	M14x40 UNI5739	1
8	1012416	M16 UNI7474	2
9	3005506		1
10	3005504		1
11	0003707		5
12	0003662	200/60-14,5	1
13	1101622	M16x60 UNI5737	2
14	0002654	M10x1	1
15	3000078		2
16	1012408	M8 UNI7474	1
17	1108000	ø8 UNI6592	2
18	1159024	4,5x20 UNI1336	1
19	3009414		1
20	3004400		1
21	1100820	M8x55 UNI5737	1
22	1114000	ø14 UNI6592	1
23	0003700		1
24	8869304	Dx	1
	8869305	Sx	1

RIF.	CODICE	DESCRIZIONE	N.
------	--------	-------------	----

RIF.	CODICE	DESCRIZIONE	N.
------	--------	-------------	----

TAV. 573/3



KP 2000/2600

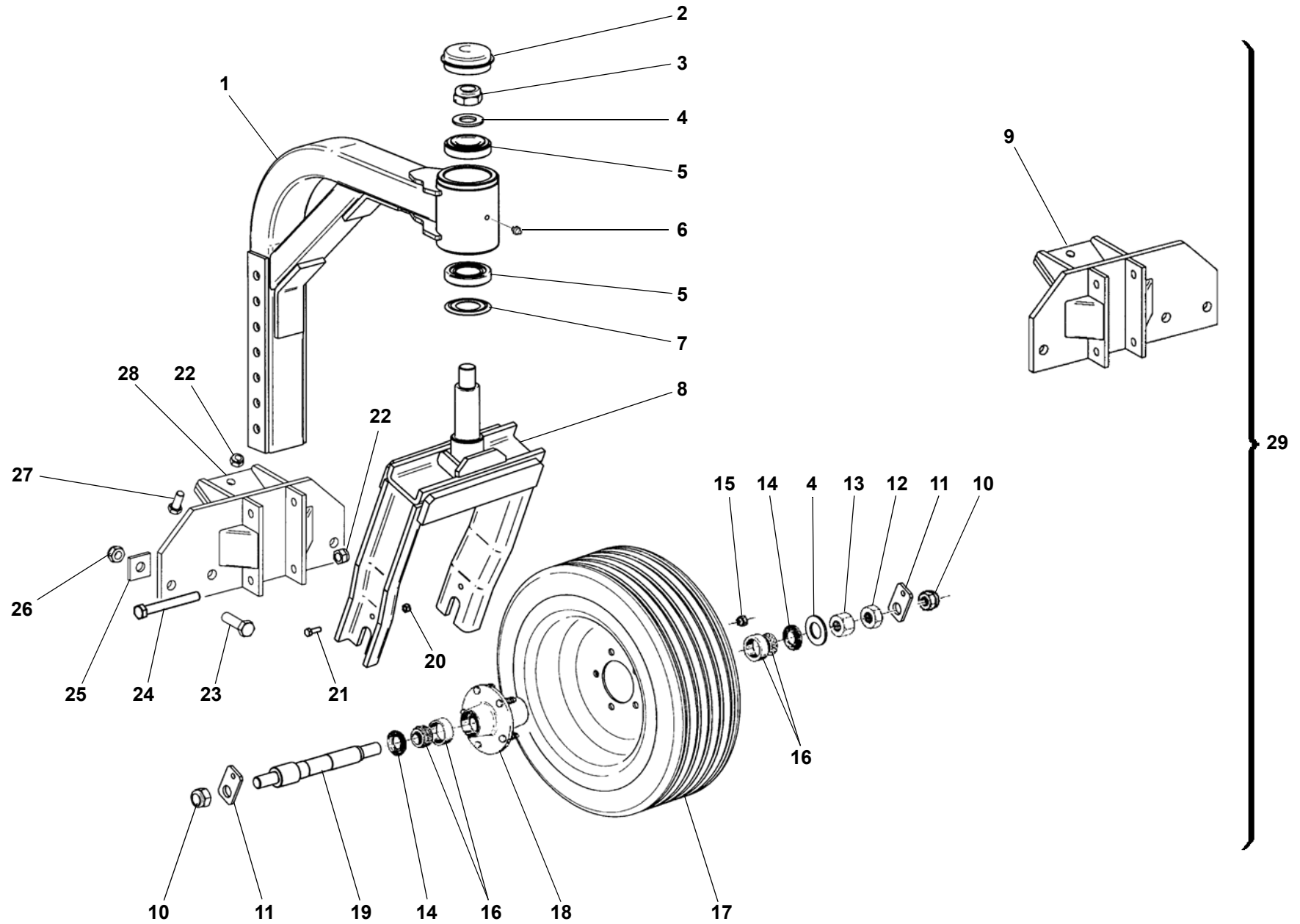
TAV. 573/3

RIF.	CODICE	DESCRIZIONE	N.
1	3012661		1
2	0003776		1
3	1022430	M30x2	1
4	1130000	ø30 UNI6592	1
5	0001402	30209	4
6	0002654	M10x1	1
7	0001822	45x85	1
8	3006169		1
9	0003559	205/60-R14	1
10	0003707		5
11	1021530	M30x2 UNI5589	1
12	3008167		2
13	1012422	M22 UNI7474	2
14	1022530	M30x2 UNI5588	1
15	1130000	ø30 UNI6592	1
16	0001802	30x62	2
17	0003702		1
18	3000153		1
19	1012408	M8 UNI7474	2
20	1110808	M8x25 UNI5739	2
21	1012422	M22 UNI7474	2
22	1012416	M16 UNI7474	2
24	3012666		1
25	1101658	M16x160 UNI5737	2
26	3000564		2
27	8279113		2

RIF.	CODICE	DESCRIZIONE	N.
------	--------	-------------	----

RIF.	CODICE	DESCRIZIONE	N.
------	--------	-------------	----

TAV. 573/4



KP S

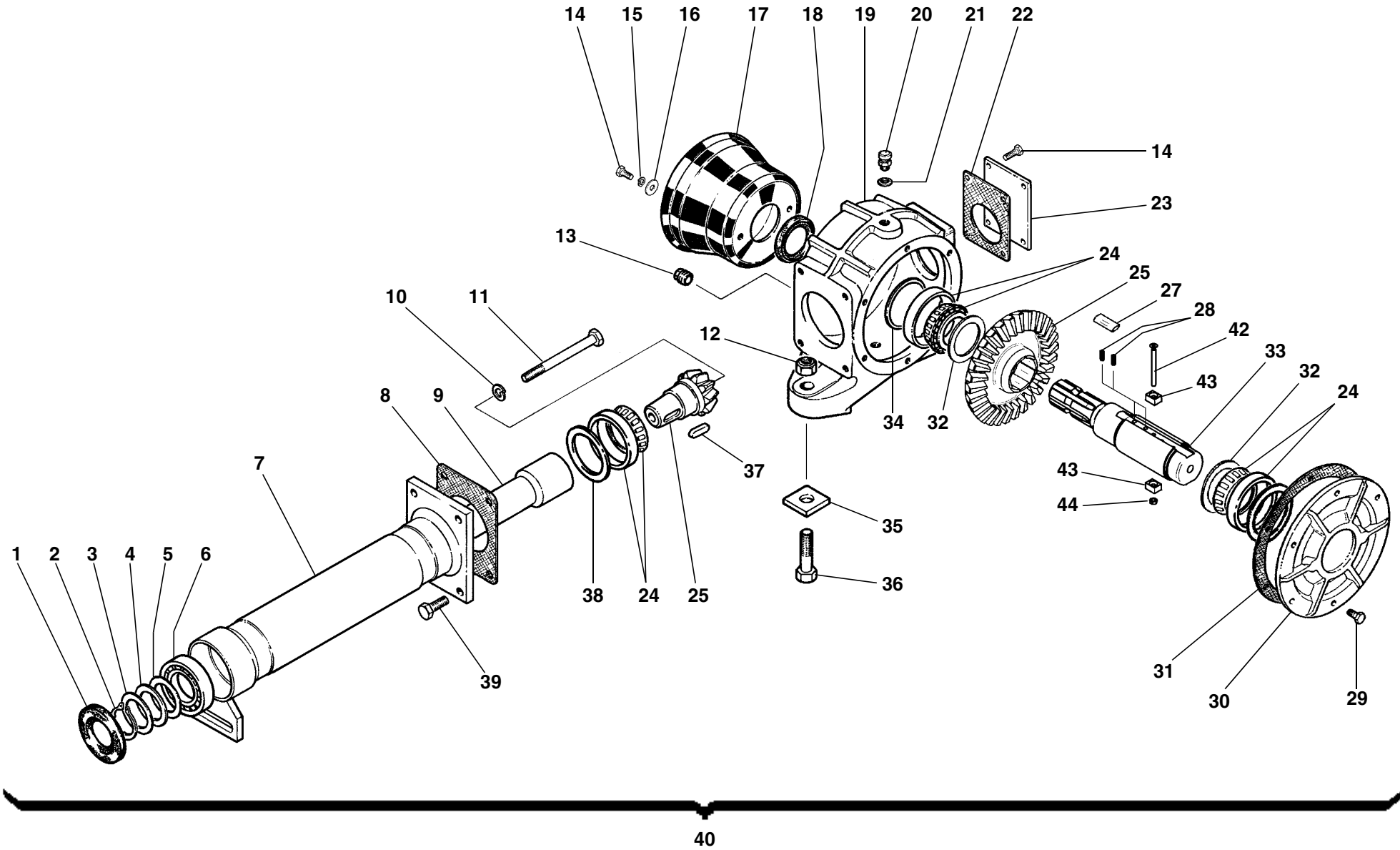
TAV. 573/4

RIF.	CODICE	DESCRIZIONE	N.
1	3012661		1
2	0003776		1
3	1022430	M30x2	1
4	1130000	ø30 UNI6592	2
5	0001402	30209	2
6	0002654	M10x1	1
7	0001822	45x85	1
8	3006169		1
9	3012664	Dx	1
10	1012422	M22 UNI7474	2
11	3008167		2
12	1021530	M30x2 UNI5589	1
13	1022530	M30x2 UNI5588	1
14	0001802	30x62	2
15	0003707		5
16	0001403	30206	2
17	0003662	200/60-R14,5	1
18	0003702		1
19	3000153		1
20	1012408	M8 UNI7474	2
21	1110808	M8x25 UNI5739	2
22	1012416	M16 UNI7474	3
23	1102026	M20x70 UNI5737	3
24	1101658	M16x160 UNI5737	2
25	3001028		3
26	1012420	M20 UNI7474	3

RIF.	CODICE	DESCRIZIONE	N.
27	1111614	M16x40 UNI5739	1
28	3012665	Sx	1
29	8869214	Dx	2
	8869215	Sx	2

RIF.	CODICE	DESCRIZIONE	N.
------	--------	-------------	----

TAV. 576



KP 1500/3200S

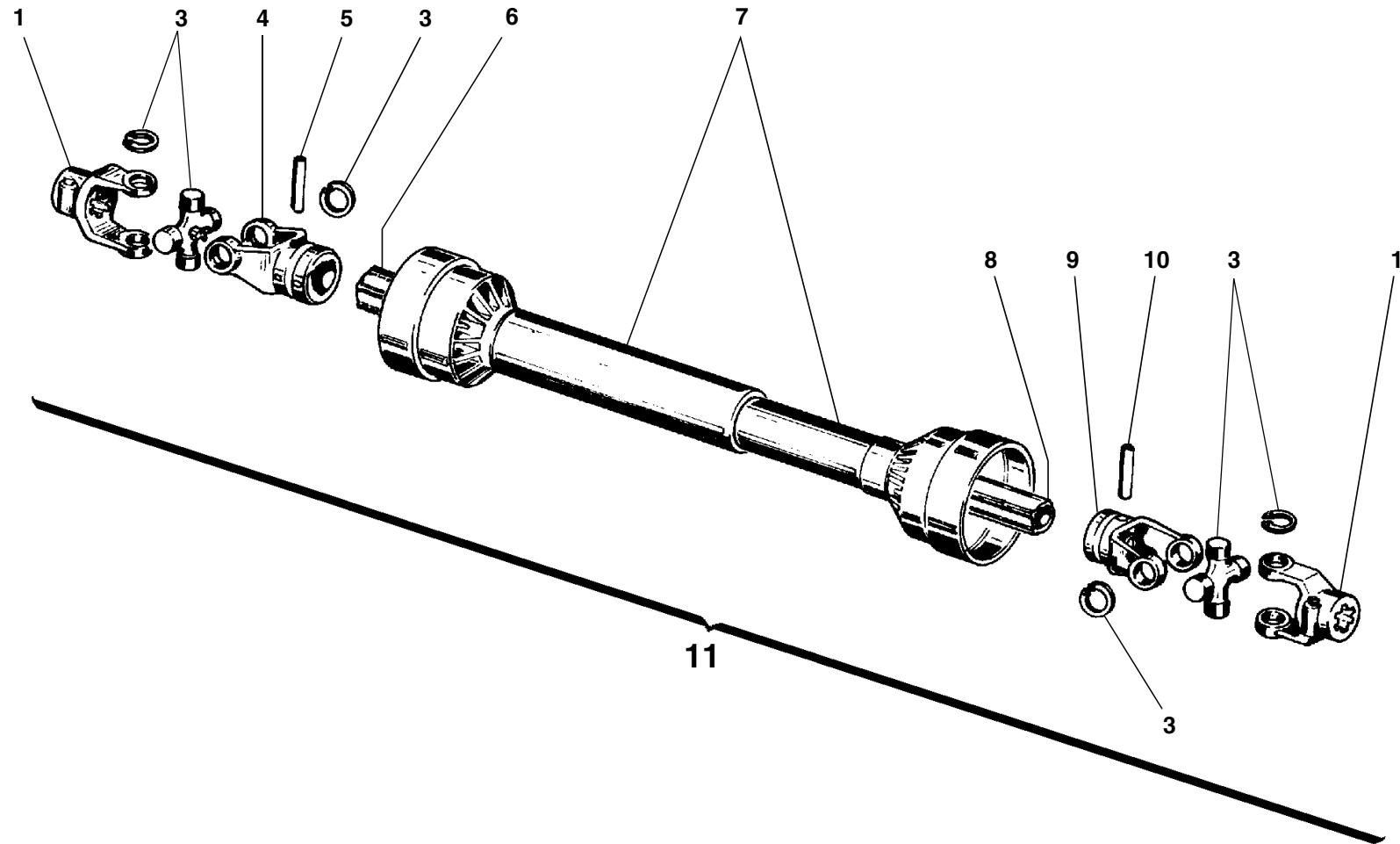
TAV. 576

RIF.	CODICE	DESCRIZIONE	N.
1	0001800	45x85x10	1
2	1010045	Seeger E45 UNI7435	1
3	3002681	45,2x55x2	—
4	3001949	46x61x0,5	—
5	3004422	46x61x0,25	—
6	0001475	6209	1
7	3000002	KP 1500/2000	1
	3000003	KP 2250	1
	3000004	KP 2400 - 2600 - 2600 S	1
	3002399	KP 2800 S	1
	3000005	KP 3000 S	1
	3001418	KP 3200 S	1
8	3000108		—
9	3000006	KP 1500/2000	1
	3000007	KP 2250	1
	3000008	KP 2400 - 2600 - 2600 S	1
	3002521	KP 2800 S	1
	3000140	KP 3000 S	1
	3001419	KP 3200 S	1
10	1212000	ø12 UNI1751	1
11	1101254	M12x140 UNI5737	1
12	1012418	M18 UNI7474	2
13	0002663	M18x1,5	2
14	1110804	M8x16 UNI5739	6
15	1208000	ø8 UNI1751	2
16	1309243	ø8x24x3 UNI6593	2
17	0003424		1

RIF.	CODICE	DESCRIZIONE	N.
18	0001801	45x65x10	1
19	3000001		1
20	0002679	M18x1,5	1
21	0002024	18x24x1,5	1
22	3000204		1
23	3000095		1
24	0001402	30209	3
25	3006826	KP 1500/2000 (540-1000 rpm)	1
	3006826	KP 2250/3200 S (540 rpm)	1
	3008099	KP 2250/3200 S (1000 rpm)	1
27	3006959		2
28	0006142		4
29	1110808	M8x25 UNI5739	6
30	3000000		1
31	3000206		—
32	0001503	47x65x4	2
33	3006740		1
34	3004481	73,5x84x0,15	—
	3004480	73,5x84x0,4	—
	3001040	73,5x84x0,5	—
	3004458	75,2x84x0,25	—
35	3001028		2
36	1101828	M18x75 UNI5737	2
37	1552073	10x8x35 UNI6604	1
38	3001040	73,5x84x0,5	—
39	1111212	M12x35 UNI5739	4
40	3006810	KP 1500/2000 (540-1000 rpm)	1

RIF.	CODICE	DESCRIZIONE	N.
	3007209	KP 2250 (540 rpm)	1
	3007835	KP 2250 (1000 rpm)	1
	3007210	KP 2400-2600-2600 S (540 rpm)	1
	3008182	KP 2400-2600-2600 S (1000 rpm)	1
	3007368	KP 2800 S (540 rpm)	1
	3008957	KP 2800 S (1000 rpm)	1
	3007278	KP 3000 S (540 rpm)	1
	3008253	KP 3000 S (1000 rpm)	1
	3007311	KP 3200 S (540 rpm)	1
	3007977	KP 3200 S (1000 rpm)	1
42	11205222	M5x60 UNI5931 12.9	1
43	3009283		2
44	1012405	M5 UNI7474	1

TAV. 577



TAV. 577

RIF.	CODICE	DESCRIZIONE	N.
1	0003122	KP 850/1250	2
	0003118	KP 1500-1750	2
	0003100	KP 2000/2600	2
	0003135	KP 2600 S/3200 S	2
3	0003125	KP 850/1250	2
	0003119	KP 1500-1750	2
	0003104	KP 2000/2600	2
	0003137	KP 2600 S/3200 S	2
4	0003126	KP 850/1250	1
	0003120	KP 1500-1750	1
	0003106	KP 2000/2600	1
	0003138	KP 2600 S/3200 S	1
5	0003215	KP 850/1250	1
	0003212	KP 1500-1750	1
	0003202	KP 2000/2600	1
	0003224	KP 2600 S/3200 S	1
6	0003216	KP 850/1250	1
	0003213	KP 1500-1750	1
	0003200	KP 2000/2600	1
	0003242	KP 2600 S/3200 S	1
7	0003417	KP 850/1250	1
	0003416	KP 1500-1750	1
	0003408	KP 2000/2600	1
	0003419	KP 2600 S/3200 S	1
8	0003218	KP 850/1250	1
	0003217	KP 1500-1750	1

RIF.	CODICE	DESCRIZIONE	N.
9	0003203	KP 2000/2600	1
	0003243	KP 2600 S/3200 S	1
	0003127	KP 850/1250	1
	0003121	KP 1500-1750	1
	0003108	KP 2000/2600	1
	0003139	KP 2600 S/3200 S	1
	0003219	KP 850/1250	1
	0003214	KP 1500-1750	1
10	0003205	KP 2000/2600	1
	0003227	KP 2600 S/3200 S	1
	0003008	KP 850/1250	1
	0003004	KP 1500-1750	1
11	0003000	KP 2000/2600	1
	0003010	KP 2600 S/3200 S	1

RIF.	CODICE	DESCRIZIONE	N.

