

Agrimaster

marchio di DEMETRA S.p.A.

TRINCIATRICI - ATOMIZZATORI
ELEVATORI A FORCHE
DECESPUGLIATRICI
A BRACCIO IDRAULICO

DEMETRA S.p.A.
Via Nobili 44 - 40062 MOLINELLA (BO) ITALY
Tel. (051) 882701 - Fax (051) 882542
e-mail: commerciale@agrimaster.eu
www.agrimaster.it

4&



SISTEMA DI GESTIONE
CERTIFICATO
UNI EN ISO 9001:2015
UNI EN ISO 14001:2015



RV 230 - N. 83530

SHUTTLE SERIE RV

CATALOGO PARTI DI RICAMBIO
SPARE PARTS CATALOGUE
CATALOGUE PIECES DE RECHANGE
ERSATZTEILLISTE
CATÁLOGO PARTES DE REQUESTO

| | | | |
|------------|------------|------------|------------|
| 125 | 150 | 175 | 200 |
| 230 | 260 | 280 | |
| | 300 | 320 | |

per ordinare i pezzi di ricambio

Per una corretta ordinazione dei pezzi di ricambio è necessario indicare i seguenti elementi:

- 1) Modello della macchina,
 - 2) Numero di catalogo,
 - 3) Codice del ricambio,
 - 4) Quantità richiesta.
-

pour commander les pièces de rechange

Pour commander les pièces de rechange il faut indiquer:

- 1) Modèle de la machine,
 - 2) Nombre du catalogue,
 - 3) Code de la pièce de rechange,
 - 4) Quantité demandé.
-

to order the spare parts

To order the spare parts correctly you must specify:

- 1) Model of the machine,
 - 2) Catalogue number,
 - 3) Spare part code number,
 - 4) Required quantity.
-

um die Ersatzteile zu bestellen

Für eine korrekte Bestellung der Ersatzteilen müssen die folgende Einzelheiten angegeben werden:

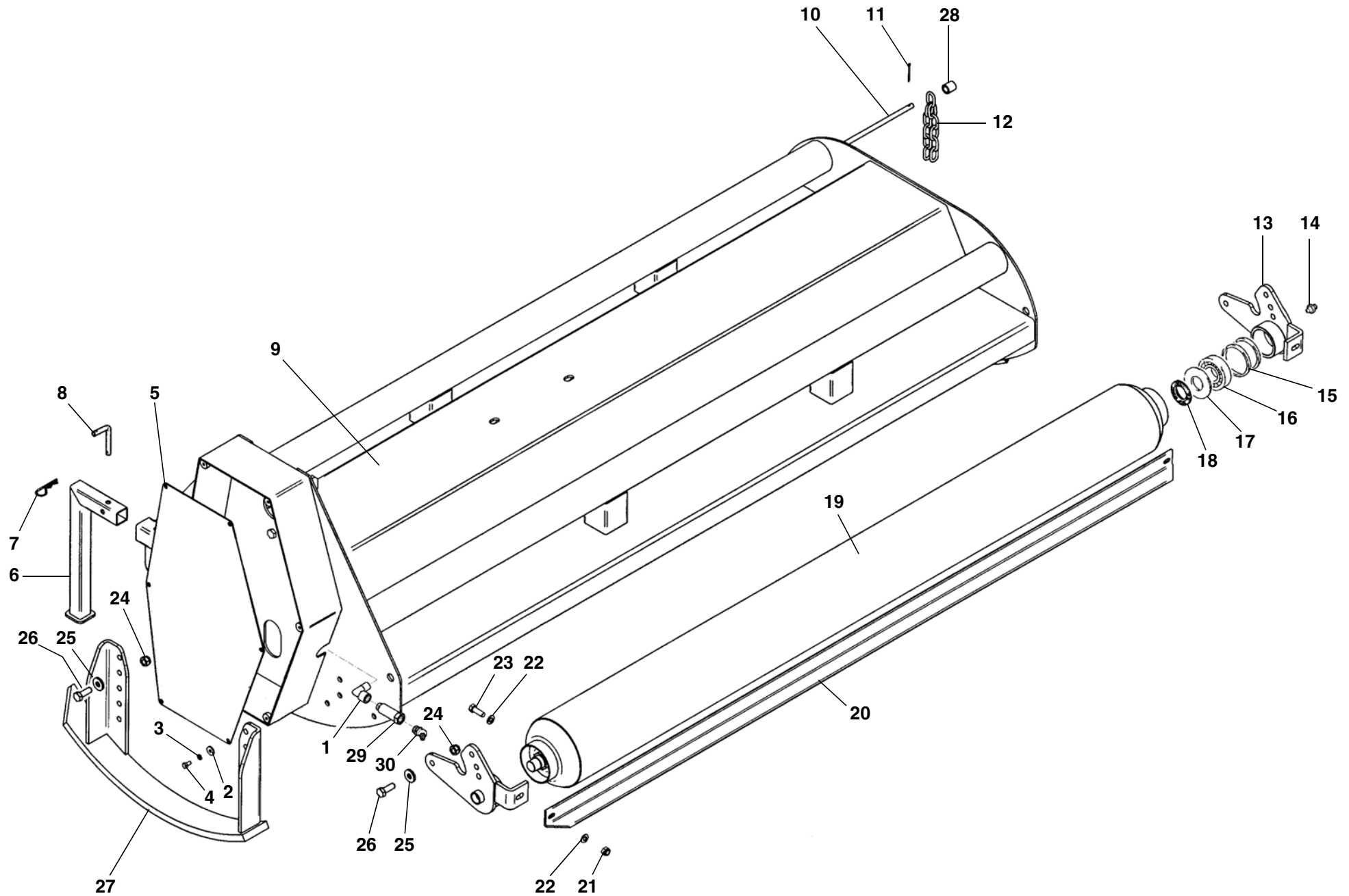
- 1) Gerät-Modell,
 - 2) Katalog-Nummer,
 - 3) Teil-Nummer,
 - 4) Gewünschte Menge.
-

para pedir las partes de requesto

Para pedir correctamente las partes de requesto se tiene que especificar:

- 1) Modelo de la máquina,
- 2) Número de catálogo,
- 3) Código de la parte de requesto,
- 4) Cantidad pedida.

TAV. 1199



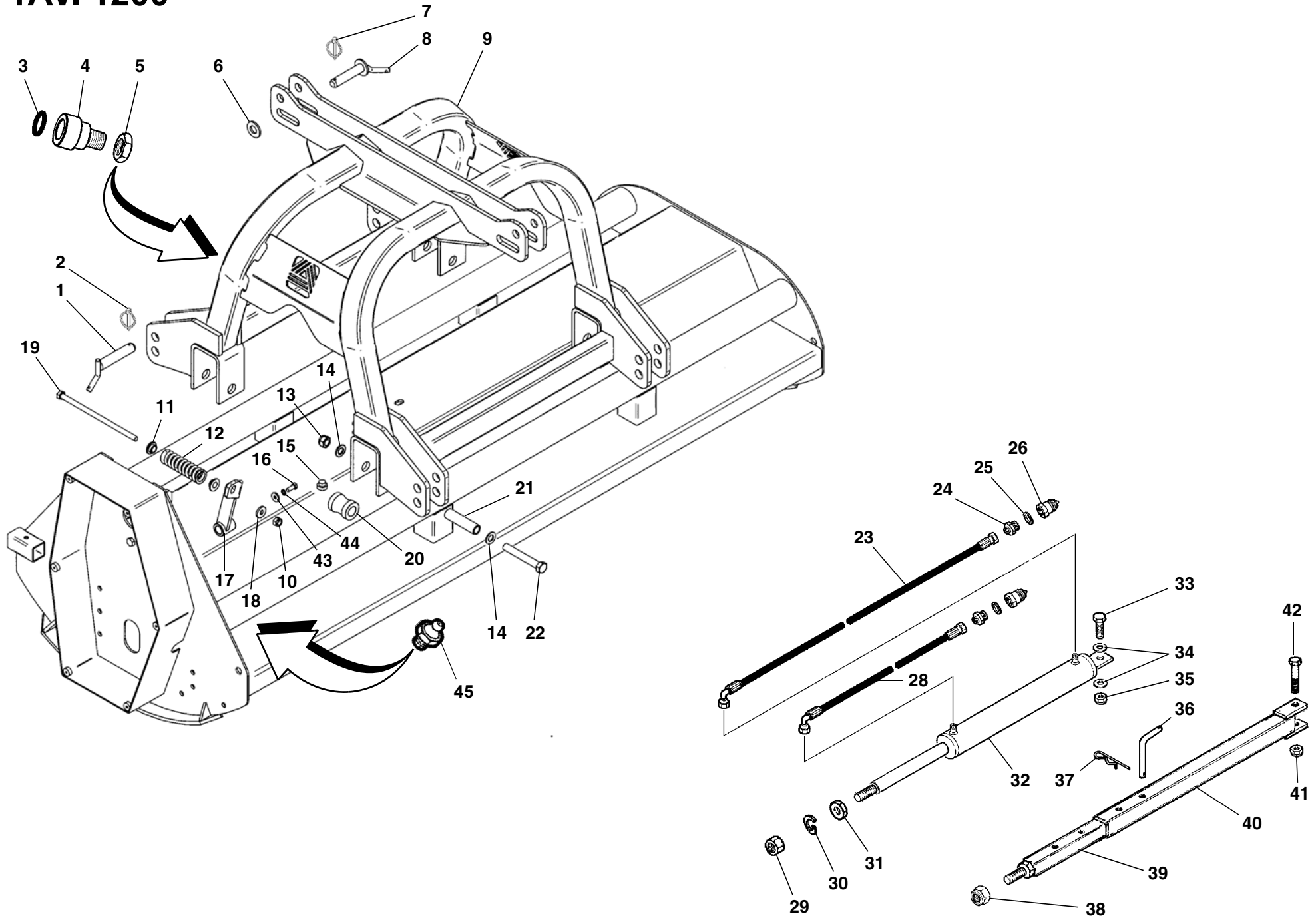
TAV. 1199

| RIF. | CODICE | DESCRIZIONE | N. |
|------|---------|-----------------|----|
| 1 | 0002445 | 1/8" - 1/8" 90° | 1 |
| 2 | 1309243 | ø8x24x3 UNI6593 | 6 |
| 3 | 1508150 | ø8 UNI6798A | 6 |
| 4 | 1110804 | M8x16 UNI5739 | 6 |
| 5 | 3007647 | | 1 |
| 6 | 3000362 | | 1 |
| 7 | 0002115 | ø4 | 1 |
| 8 | 3000088 | | 1 |
| 9 | 3007742 | RV 125 | 1 |
| | 3007743 | RV 150 | 1 |
| | 3007744 | RV 175 | 1 |
| | 3007745 | RV 200 | 1 |
| | 3007748 | RV 230 | 1 |
| | 3012242 | RV 260 | 1 |
| | 3008158 | RV 280 | 1 |
| | 3013500 | RV 300 | 1 |
| | 3008159 | RV 320 | 1 |
| 10 | 3000315 | RV 125 | 1 |
| | 3000316 | RV 150 | 1 |
| | 3000317 | RV 175 | 1 |
| | 3000318 | RV 200 | 1 |
| | 3000075 | RV 230 | 1 |
| | 3000167 | RV 260 | 1 |
| | 3002604 | RV 280 | 1 |
| | 3006487 | RV 300 | 1 |
| | 3000168 | RV 320 | 1 |
| 11 | 1559028 | ø4,5x45 UNI1336 | 1 |
| 12 | 3001927 | RV 125 | 40 |

| RIF. | CODICE | DESCRIZIONE | N. |
|------|---------|-------------|-----|
| | 3001927 | RV 150 | 48 |
| | 3001927 | RV 175 | 56 |
| | 3001927 | RV 200 | 64 |
| | 3001927 | RV 230 | 74 |
| | 3001927 | RV 260 | 82 |
| | 3001927 | RV 280 | 90 |
| | 3001927 | RV 300 | 97 |
| | 3001927 | RV 320 | 102 |
| 13 | 3001422 | Dx | 1 |
| | 3001423 | Sx | 1 |
| 14 | 0002654 | M10x1 | 2 |
| 15 | 3000640 | 65x71x3 | 2 |
| | 3000181 | 61x71,5x1,5 | 2 |
| 16 | 0001521 | 21306 | 2 |
| 17 | 3000648 | | 2 |
| 18 | 0001805 | 35x72x10 | 2 |
| 19 | 3002768 | RV 125 | 1 |
| | 3001431 | RV 150 | 1 |
| | 3001432 | RV 175 | 1 |
| | 3001433 | RV 200 | 1 |
| | 3001434 | RV 230 | 1 |
| | 3002429 | RV 260 | 1 |
| | 3001435 | RV 280 | 1 |
| | 3008453 | RV 300 | 1 |
| | 3003086 | RV 320 | 1 |
| 20 | 3001089 | RV 125 | 1 |
| | 3001479 | RV 150 | 1 |
| | 3001478 | RV 175 | 1 |

| RIF. | CODICE | DESCRIZIONE | N. |
|------|---------|---------------------------|-----|
| | 3001477 | RV 200 | 1 |
| | 3001476 | RV 230 | 1 |
| | 3002428 | RV 260 | 1 |
| | 3001464 | RV 280 | 1 |
| | 3007790 | RV 300 | 1 |
| | 3003088 | RV 320 | 1 |
| 21 | 1012410 | M10 UNI7474 RV 125/200 | 2 |
| | 1012412 | M12 UNI7474 RV 230/320 | 2 |
| 22 | 1310303 | ø10 UNI6593 RV 125/200 | 4 |
| | 1312363 | ø12 UNI6593 RV 230/320 | 4 |
| 23 | 1111010 | M10x30 UNI5739 RV 125/200 | 2 |
| | 1111212 | M12x35 UNI5739 RV 230/320 | 2 |
| 24 | 1012414 | M14 UNI7474 | 12 |
| 25 | 3001118 | ø14,5x35x5 | 12 |
| 26 | 1111414 | M14x40 UNI5739 | 12 |
| 27 | 3007688 | Dx | 1 |
| | 3007689 | Sx | 1 |
| 28 | 3001545 | RV 125 | 38 |
| | 3001545 | RV 150 | 46 |
| | 3001545 | RV 175 | 54 |
| | 3001545 | RV 200 | 61 |
| | 3001545 | RV 230 | 70 |
| | 3001545 | RV 260 | 78 |
| | 3001545 | RV 280 | 86 |
| | 3001545 | RV 300 | 92 |
| | 3001545 | RV 320 | 103 |
| 29 | 0002446 | 1/8" - 1/8" L=42 | 1 |
| 30 | 0002653 | M10x1x45° | 1 |

TAV. 1200



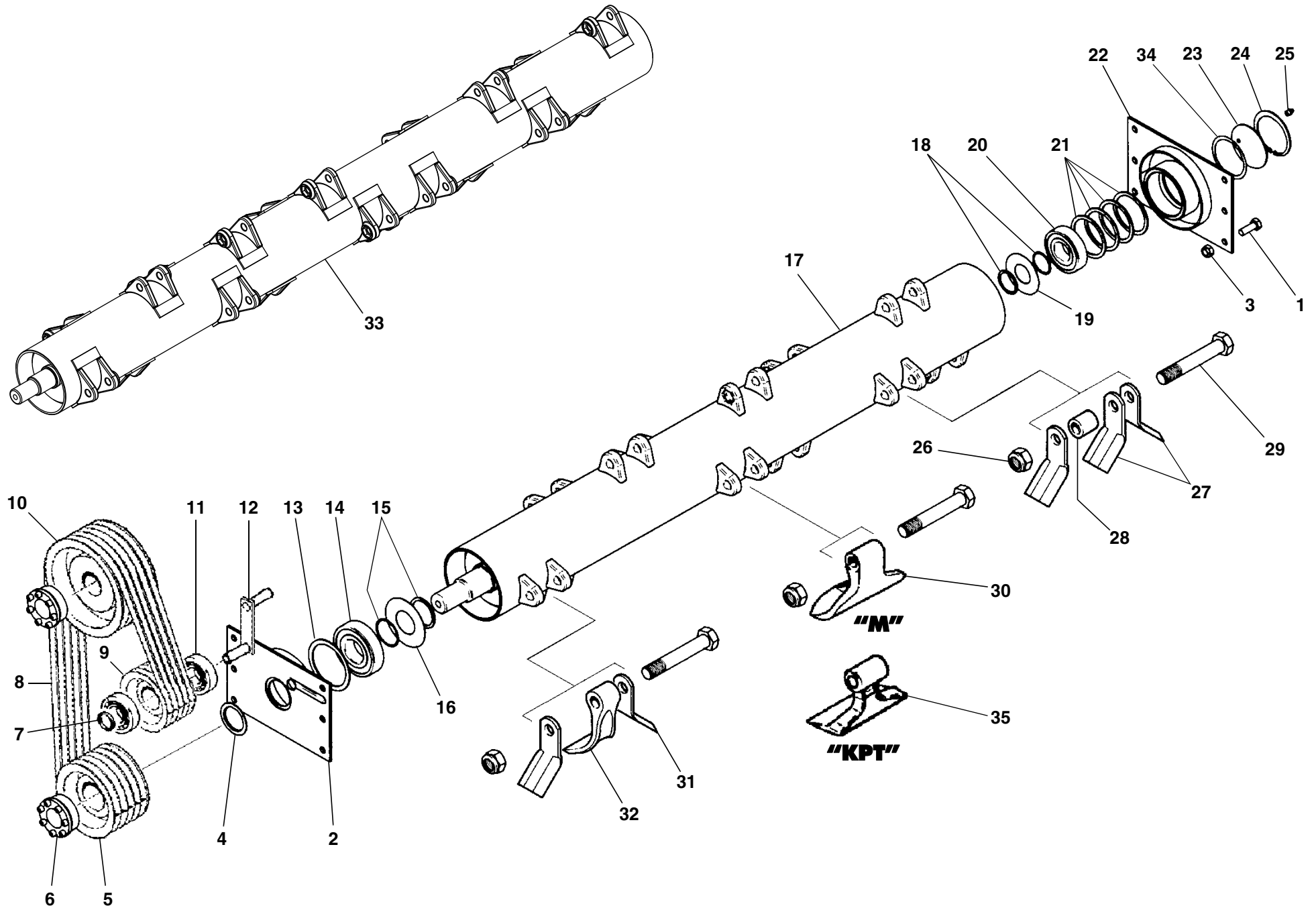
TAV. 1200

| RIF. | CODICE | DESCRIZIONE | N. |
|------|---------|-----------------|----|
| 1 | 3000406 | | 2 |
| 2 | 0002101 | ∅9 | 2 |
| 3 | 0001715 | OR 4093-131 | 2 |
| 4 | 3005472 | 1/2" | 2 |
| 5 | 1021518 | M18x1,5 UNI5589 | 2 |
| 6 | 3000178 | | 1 |
| 7 | 0002101 | ∅9 | 1 |
| 8 | 3001508 | | 1 |
| 9 | 3007815 | RV 125 | 1 |
| | 3013073 | RV 150/320 | 1 |
| 10 | 1012414 | M14 UNI7474 | 1 |
| 11 | 3001093 | | 2 |
| 12 | 3004156 | | 1 |
| 13 | 1012420 | M20 UNI7474 | 4 |
| 14 | 1120000 | ∅20 UNI6592 | 8 |
| 15 | 3001482 | | 4 |
| 16 | 1111008 | M10x25 UNI5737 | 1 |
| 17 | 3008277 | | 1 |
| 18 | 3001120 | | 1 |
| 19 | 3004948 | | 1 |
| 20 | 3001425 | | 4 |
| 21 | 3001426 | | 4 |
| 22 | 1102054 | M20x140 UNI5737 | 4 |
| 23 | 0002632 | | 1 |
| 24 | 0002300 | 1/2"-1/4" | 2 |
| 25 | 0002006 | 1/2" | 2 |

| RIF. | CODICE | DESCRIZIONE | N. |
|------|---------|----------------|----|
| 26 | 0002701 | 1/2" | 2 |
| 28 | 0002634 | | 1 |
| 29 | 1022524 | M24x2 UNI5588 | 1 |
| 30 | 1224000 | ∅24 UNI17511 | 1 |
| 31 | 1021524 | M24x2 UNI5589 | 1 |
| 32 | 3002771 | RV 125 | 1 |
| | 3001483 | RV 150/200 | 1 |
| | 3001494 | RV 230 | 1 |
| | 3012223 | RV 260/320 | 1 |
| 33 | 1101420 | M14x55 UNI5737 | 1 |
| 34 | 3000182 | ∅17x35x4 | 2 |
| 35 | 1012414 | M14 UNI7474 | 1 |
| 36 | 3000088 | | 1 |
| 37 | 0002115 | ∅4 | 1 |
| 38 | 1012422 | M22 UNI7474 | 1 |
| 39 | 3001485 | RV 125/200 | 1 |
| | 3001493 | RV 230 | 1 |
| | 3001485 | RV 260/320 | 1 |
| 40 | 3002770 | RV 125 | 1 |
| | 3001484 | RV 150/320 | 1 |
| 41 | 1012414 | M14 UNI7474 | 1 |
| 42 | 1101426 | M14x70 UNI5737 | 1 |
| 43 | 1410304 | 10,5x30x4 | 1 |
| 44 | 1210000 | ∅10 UNI1751 | 1 |
| 45 | 0002654 | M10x1 | 1 |

| RIF. | CODICE | DESCRIZIONE | N. |
|------|--------|-------------|----|
| | | | |

TAV. 1201



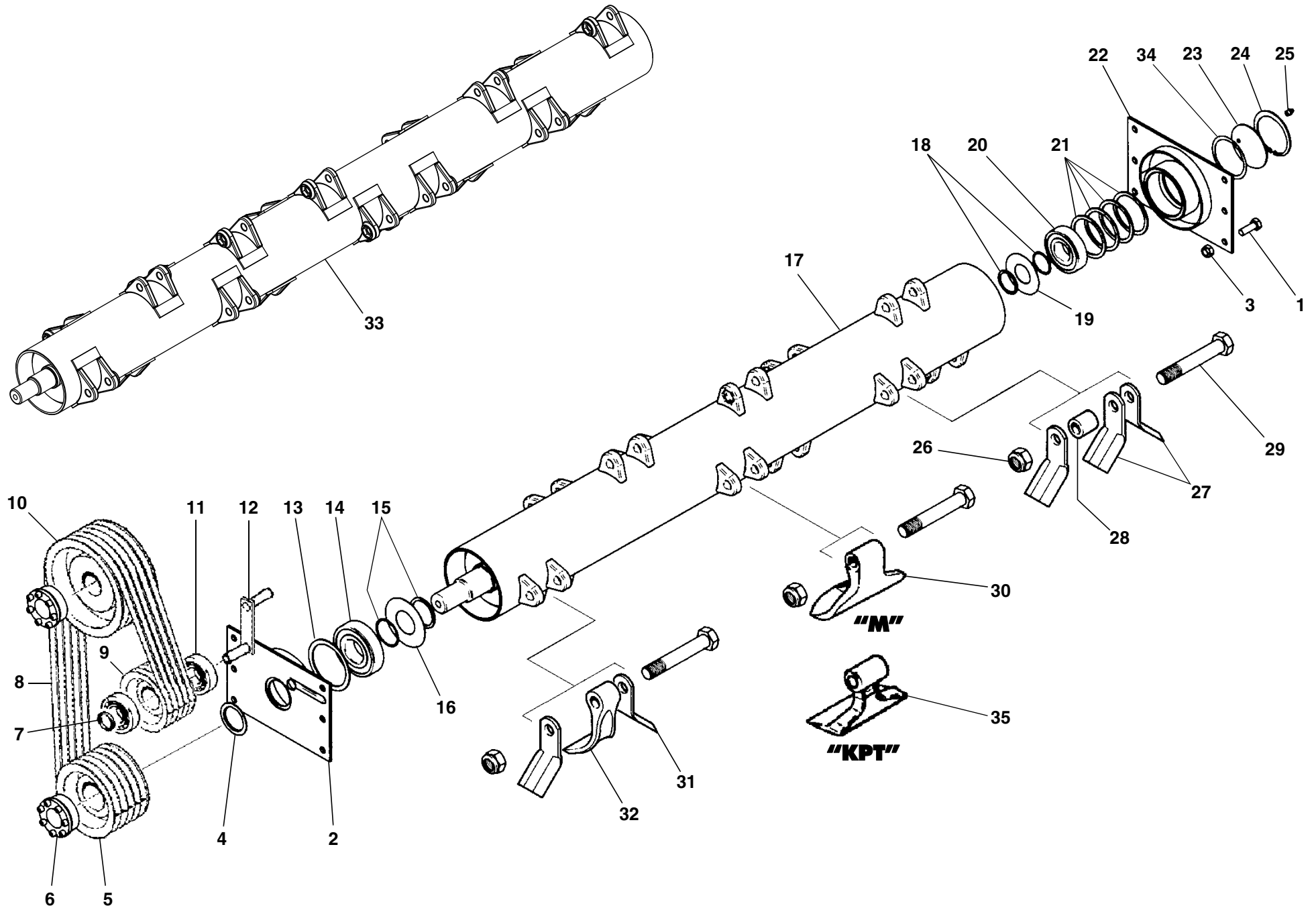
TAV. 1201

| RIF. | CODICE | DESCRIZIONE | N. |
|------|---------|--|----|
| 1 | 1111410 | M14x30 UNI5739 | 12 |
| 2 | 3000225 | Sx RV 125/200 | 1 |
| | 3001404 | Sx RV 230/280 | 1 |
| | 3003069 | Sx RV 320 | 1 |
| 3 | 1012414 | M14 UNI7474 | 12 |
| 4 | 0001821 | 55x75x5,5 | 1 |
| 5 | 3000102 | 160x4 SPB RV 125/200 (540 rpm) | 1 |
| | 3010374 | 170x4 SPB RV 125/200 M-KPT (540 rpm) | 1 |
| | 3001027 | 225x4 SPB RV 125/200 (1000 rpm) | 1 |
| | 3001027 | 225x4 SPB RV 125/200 M-KPT (1000 rpm) | 1 |
| | 3000099 | 160x5 SPB RV 230/320 (540 rpm) | 1 |
| | 3001359 | 225x5 SPB RV 230/320 (1000 rpm) | 1 |
| | 3008258 | 236x5 SPB RV 300-320 M-KPT (1000 rpm) | 1 |
| 6 | 0001332 | 45x80-8V RV 125/280 | 2 |
| | 0001354 | 45x80-10V RV 320 | 2 |
| 7 | 1010025 | Seeger E 25 UNI7435 | 1 |
| 8 | 0001016 | SPB-X 1400 RV 125/200 (540-1000 rpm) | 4 |
| | 0001016 | SPB-X 1400 RV 125/200 M-KPT (1000 rpm) | 4 |
| | 0001016 | SPB-X 1400 RV 230/280 (540-1000 rpm) | 5 |
| | 0001027 | SPB-X 1450 RV 300-320 (540-1000 rpm) | 5 |
| | 0001027 | SPB-X 1450 RV 300-320 M-KPT (1000 rpm) | 5 |
| 9 | 3007646 | RV 125/200 | 1 |
| | 3007645 | RV 230/320 | 1 |

| RIF. | CODICE | DESCRIZIONE | N. |
|------|---------|---------------------------------------|----|
| 10 | 3001027 | 225x4 SPB RV 125/200 (540 rpm) | 1 |
| | 3001104 | 212x4 SPB RV 125/200 M-KPT (540 rpm) | 1 |
| | 3000102 | 160x4 SPB RV 125/200 (1000 rpm) | 1 |
| | 3001359 | 225x5 SPB RV 230/320 (540 rpm) | 1 |
| | 3000099 | 160x5 SPB RV 230/320 (1000 rpm) | 1 |
| | 3000907 | 200x5 SPB RV 300-320 M-KPT (540 rpm) | 1 |
| | 3000099 | 160x5 SPB RV 300-320 M-KPT (1000 rpm) | 1 |
| 11 | 0001496 | 6205-2RS | 2 |
| 12 | 3008276 | | 1 |
| 13 | 3001936 | 99x119x3 | 1 |
| 14 | 0001400 | 1311 | 1 |
| 15 | 3000347 | 58x65x1 | 6 |
| 16 | 3000346 | | 1 |
| 17 | 3000287 | RV 125 | 1 |
| | 3000288 | RV 150 | 1 |
| | 3000277 | RV 175 | 1 |
| | 3004281 | RV 200 | 1 |
| | 3001413 | RV 230 | 1 |
| | 3002432 | RV 260 | 1 |
| | 3001414 | RV 280 | 1 |
| | 3013498 | RV 300 | 1 |
| | 3003054 | RV 320 | 1 |
| 18 | 3000180 | 45x51,5x1,5 RV 125/280 | 5 |
| | 3000347 | 58x65x1 RV 300-320 | 5 |
| 19 | 3000345 | RV 125/280 | 1 |

| RIF. | CODICE | DESCRIZIONE | N. |
|------|---------|---------------------------------|----|
| | 3000346 | RV 300-320 | 1 |
| 20 | 0001401 | 1309 RV 125/280 | 1 |
| | 0001400 | 1311 RV 300-320 | 1 |
| 21 | 3001935 | 84x99x3 RV 125/280 | 4 |
| | 3001936 | 99x119x3 RV 300-320 | 3 |
| 22 | 3001009 | Dx RV 125/200 | 1 |
| | 3001405 | Dx RV 230/280 | 1 |
| | 3003070 | Dx RV 300-320 | 1 |
| 23 | 3001012 | RV 125/280 | 1 |
| | 3003067 | RV 300-320 | 1 |
| 24 | 1020100 | Seeger I 100 UNI7437 RV 125/280 | 1 |
| | 1020120 | Seeger I 120 UNI7437 RV 300-320 | 1 |
| 25 | 0002654 | M10x1 | 1 |
| 26 | 1012420 | M20 UNI7474 RV 125-150 | 12 |
| | 1012420 | M20 UNI7474 RV 175 | 16 |
| | 1012420 | M20 UNI7474 RV 200-230 | 20 |
| | 1012420 | M20 UNI7474 RV 260 | 24 |
| | 1012420 | M20 UNI7474 RV 280/320 | 32 |
| 27 | 3000323 | RV 125-150 | 36 |
| | 3000323 | RV 175 | 48 |
| | 3000323 | RV 200-230 | 60 |
| | 3000323 | RV 260 | 72 |
| | 3000323 | RV 280/320 | 96 |
| 28 | 3000552 | RV 125-150 | 12 |
| | 3000552 | RV 175 | 16 |
| | 3000552 | RV 200-230 | 20 |
| | 3000552 | RV 260 | 24 |

TAV. 1201



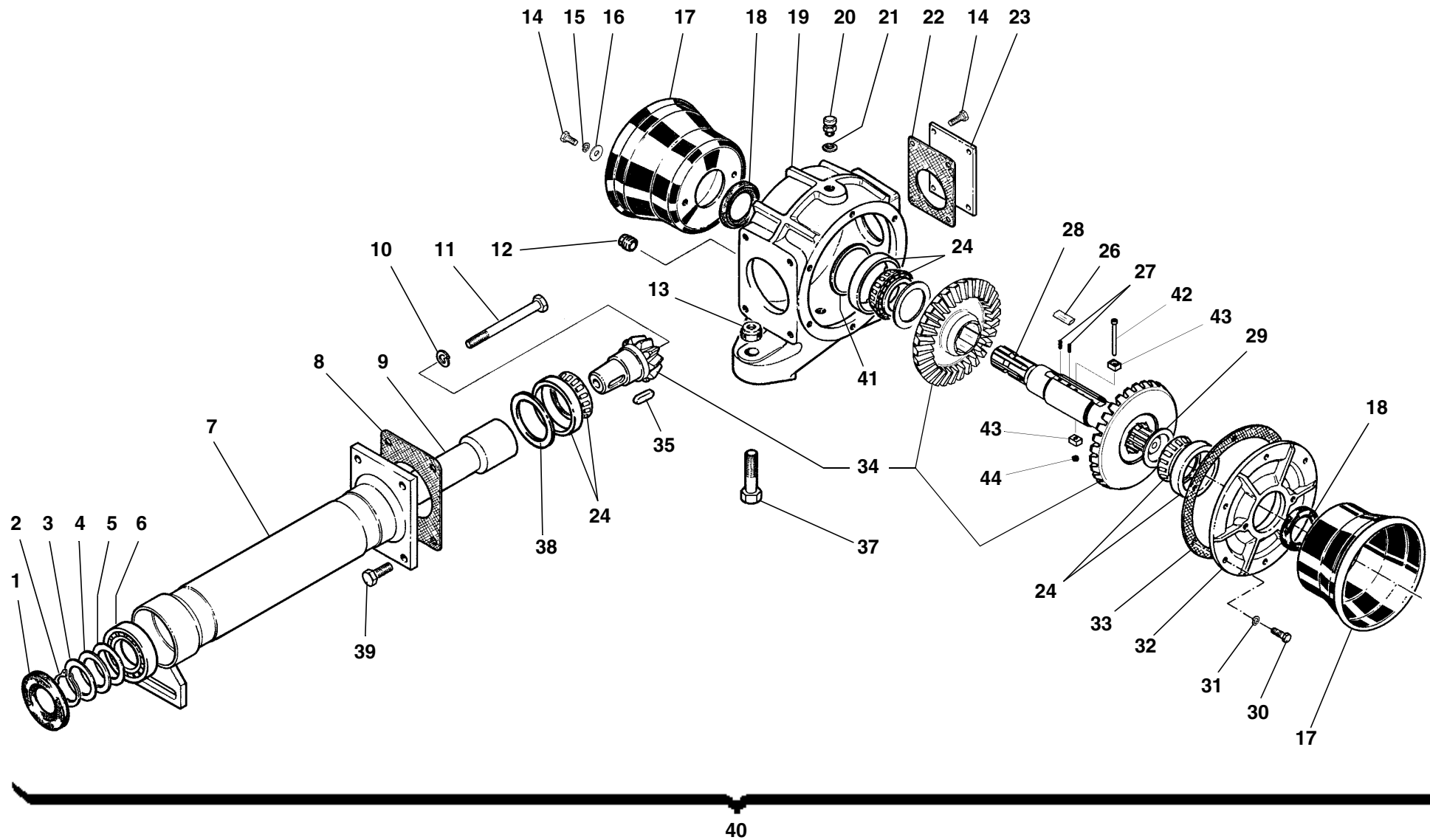
TAV. 1201

| RIF. | CODICE | DESCRIZIONE | N. |
|------|---------|--------------------|----|
| | 3000552 | RV 280/320 | 32 |
| 29 | 3002392 | M20x120 RV 125-150 | 12 |
| | 3002392 | M20x120 RV 175 | 16 |
| | 3002392 | M20x120 RV 200-230 | 20 |
| | 3002392 | M20x120 RV 260 | 24 |
| | 3002392 | M20x120 RV 280/320 | 32 |
| 30 | 3001119 | RV 125-150 | 12 |
| | 3001119 | RV 175 | 16 |
| | 3001119 | RV 200-230 | 20 |
| | 3001119 | RV 260 | 24 |
| | 3001119 | RV 280/320 | 32 |
| 31 | 3000323 | RV 125-150 | 24 |
| | 3000323 | RV 175 | 32 |
| | 3000323 | RV 200-230 | 40 |
| | 3000323 | RV 260 | 48 |
| | 3000323 | RV 280/320 | 64 |
| 32 | 3000548 | RV 125-150 | 12 |
| | 3000548 | RV 175 | 16 |
| | 3000548 | RV 200-230 | 20 |
| | 3000548 | RV 260 | 24 |
| | 3000548 | RV 280/320 | 32 |
| 33 | 3007877 | RV 125 | 1 |
| | 3006483 | RV 150 | 1 |
| | 3006006 | RV 175 | 1 |
| | 3006007 | RV 200 | 1 |
| | 3007878 | RV 230 | 1 |
| | 3008009 | RV 260 | 1 |

| RIF. | CODICE | DESCRIZIONE | N. |
|------|---------|----------------------|----|
| | 3008010 | RV 280 | 1 |
| | 3013506 | RV 300 | 1 |
| | 3008011 | RV 320 | 1 |
| 34 | 3001123 | 83,5x99x1 RV 125/280 | — |
| | 3004403 | 99x119x1 RV 300-320 | — |
| 35 | 3011270 | RV 125-150 | 12 |
| | 3011270 | RV 175 | 16 |
| | 3011270 | RV 200-230 | 20 |
| | 3011270 | RV 260 | 24 |
| | 3011270 | RV 280/320 | 32 |

| RIF. | CODICE | DESCRIZIONE | N. |
|------|--------|-------------|----|
| | | | |

TAV. 1202



RV 125 - 150 - 175 - 200

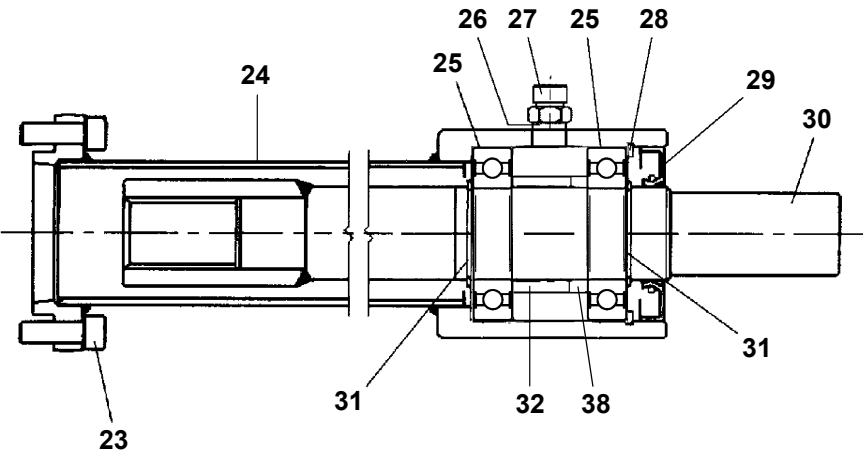
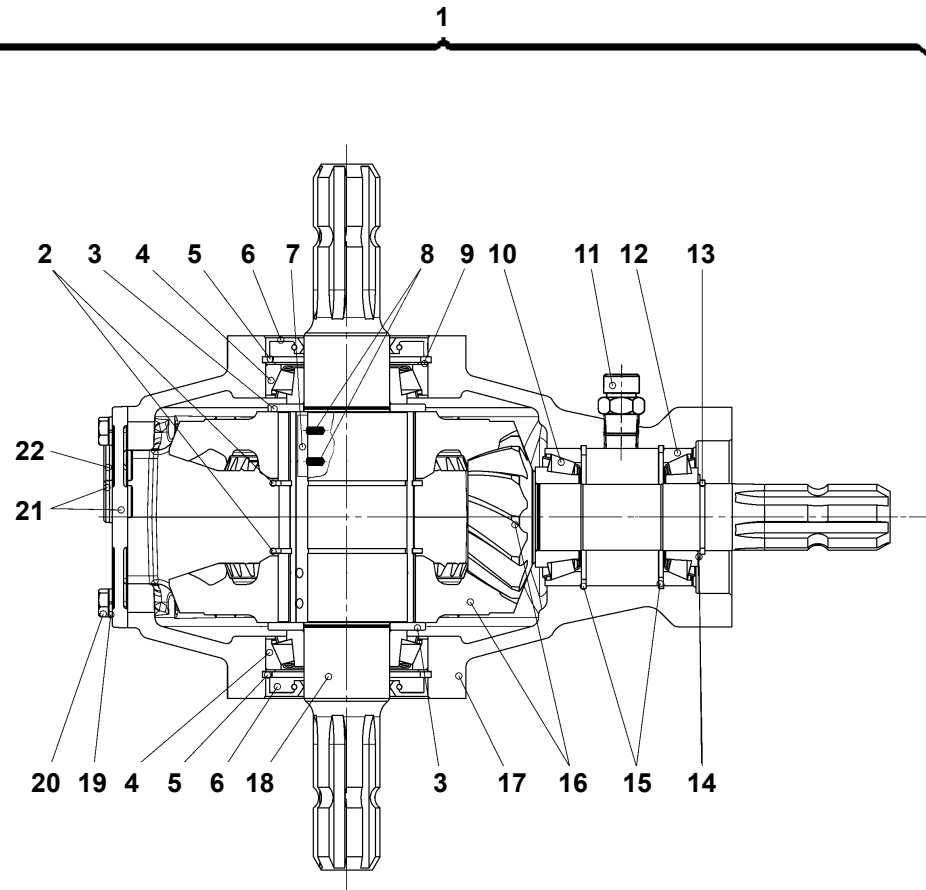
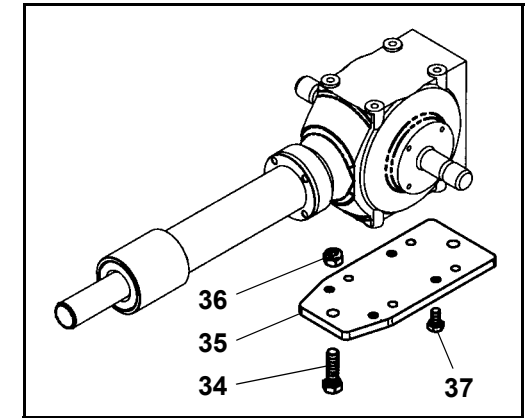
TAV. 1202

| RIF. | CODICE | DESCRIZIONE | N. |
|------|---------|---------------------|----|
| 1 | 0001800 | 45x85x10 | 1 |
| 2 | 1010045 | Seeger E 45 UNI7435 | 1 |
| 3 | 3002681 | 45,2x55x2 | — |
| 4 | 3001949 | 46x61x0,5 | — |
| 5 | 3004422 | 46x61x0,25 | — |
| 6 | 0001475 | 6209 | 1 |
| 7 | 3000002 | | 1 |
| 8 | 3000108 | | — |
| 9 | 3000006 | | 1 |
| 10 | 1212000 | ∅12 UNI1751 | 1 |
| 11 | 1101254 | M12x140 UNI5737 | 1 |
| 12 | 0002663 | M18x1,5 | 3 |
| 13 | 1012418 | M18 UNI7474 | 2 |
| 14 | 1110804 | M8x16 UNI5739 | 8 |
| 15 | 1208000 | ∅8 UNI1751 | 4 |
| 16 | 1309243 | ∅8x24x3 UNI6593 | 4 |
| 17 | 0003411 | | 2 |
| 18 | 0001801 | 45x65x10 | 2 |
| 19 | 3000001 | | 1 |
| 20 | 0002679 | M18x1,5 | 1 |
| 21 | 0002024 | ∅18x24x1,5 | 1 |
| 22 | 3000204 | | 1 |
| 23 | 3000095 | | 1 |
| 24 | 0001402 | 30209 | 3 |
| 26 | 3006959 | | 4 |
| 27 | 0006142 | | 8 |

| RIF. | CODICE | DESCRIZIONE | N. |
|------|----------|--------------------|----|
| 28 | 3007164 | | 1 |
| 29 | 0001503 | 47x65x4 | 2 |
| 30 | 1110808 | M8x25 UNI5739 | 6 |
| 31 | 1508150 | ∅8 UNI6798A | 6 |
| 32 | 3001447 | | 1 |
| 33 | 3000206 | | — |
| 34 | 3007679 | (540-1000 rpm) | 1 |
| 35 | 1552073 | 10x8x35 UNI6604 | 1 |
| 37 | 1101828 | M18x75 UNI5737 | 2 |
| 38 | 3001040 | 73,5x84x0,5 | — |
| 39 | 1111212 | M12x35 UNI5739 | 4 |
| 40 | 3008040 | (540-1000 rpm) | 1 |
| 41 | 3004481 | 73,5x84x0,15 | — |
| | 3004480 | 73,5x84x0,4 | — |
| | 3001040 | 73,5x84x0,5 | — |
| | 3004458 | 75,2x84x0,25 | — |
| 42 | 11205222 | M5x60 UNI5931 12.9 | 1 |
| 43 | 3009283 | | 2 |
| 44 | 1012405 | M5 UNI7474 | 1 |

| RIF. | CODICE | DESCRIZIONE | N. |
|------|--------|-------------|----|
| | | | |

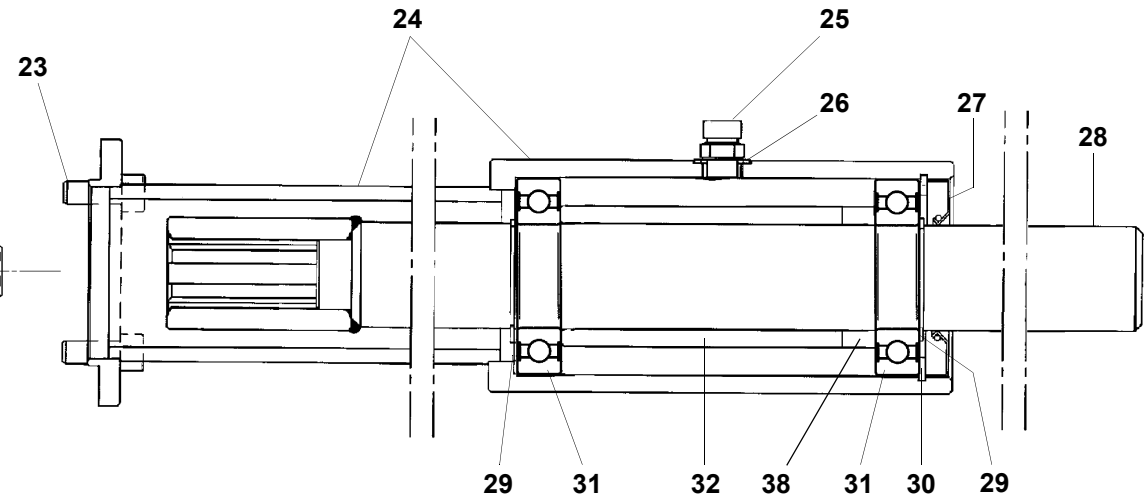
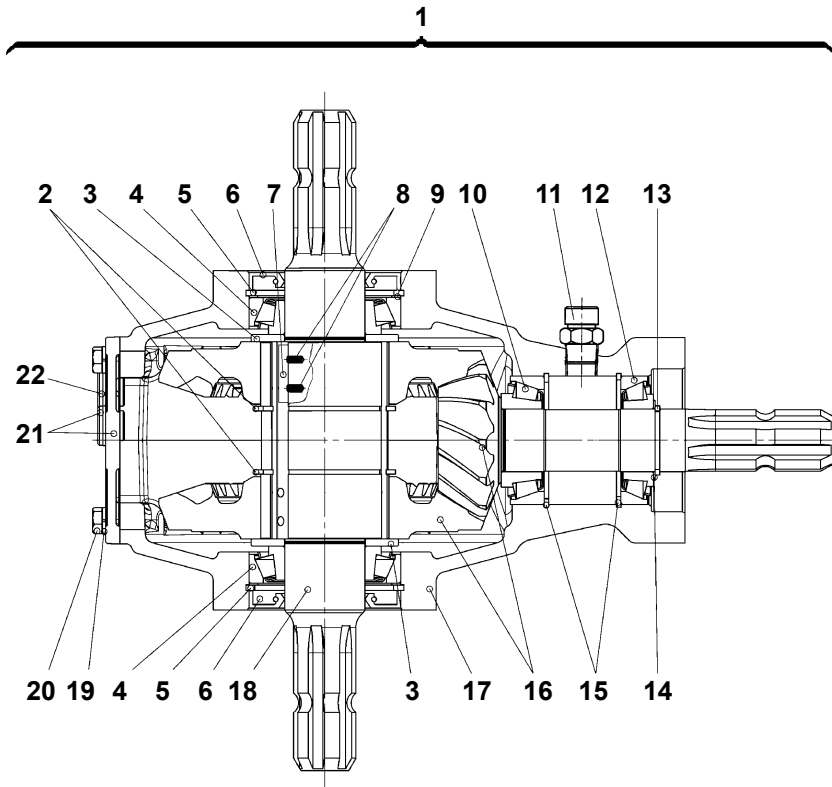
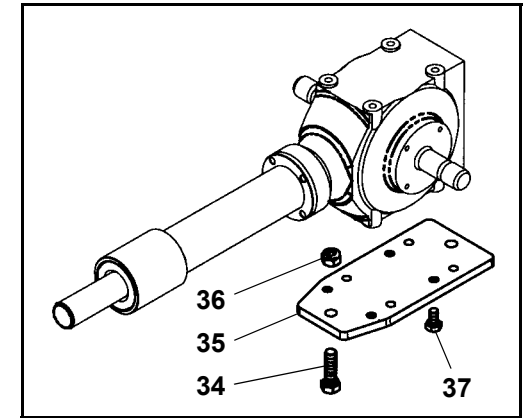
TAV. 1202/1



33

B&P 2071/2RL
RV 230/260

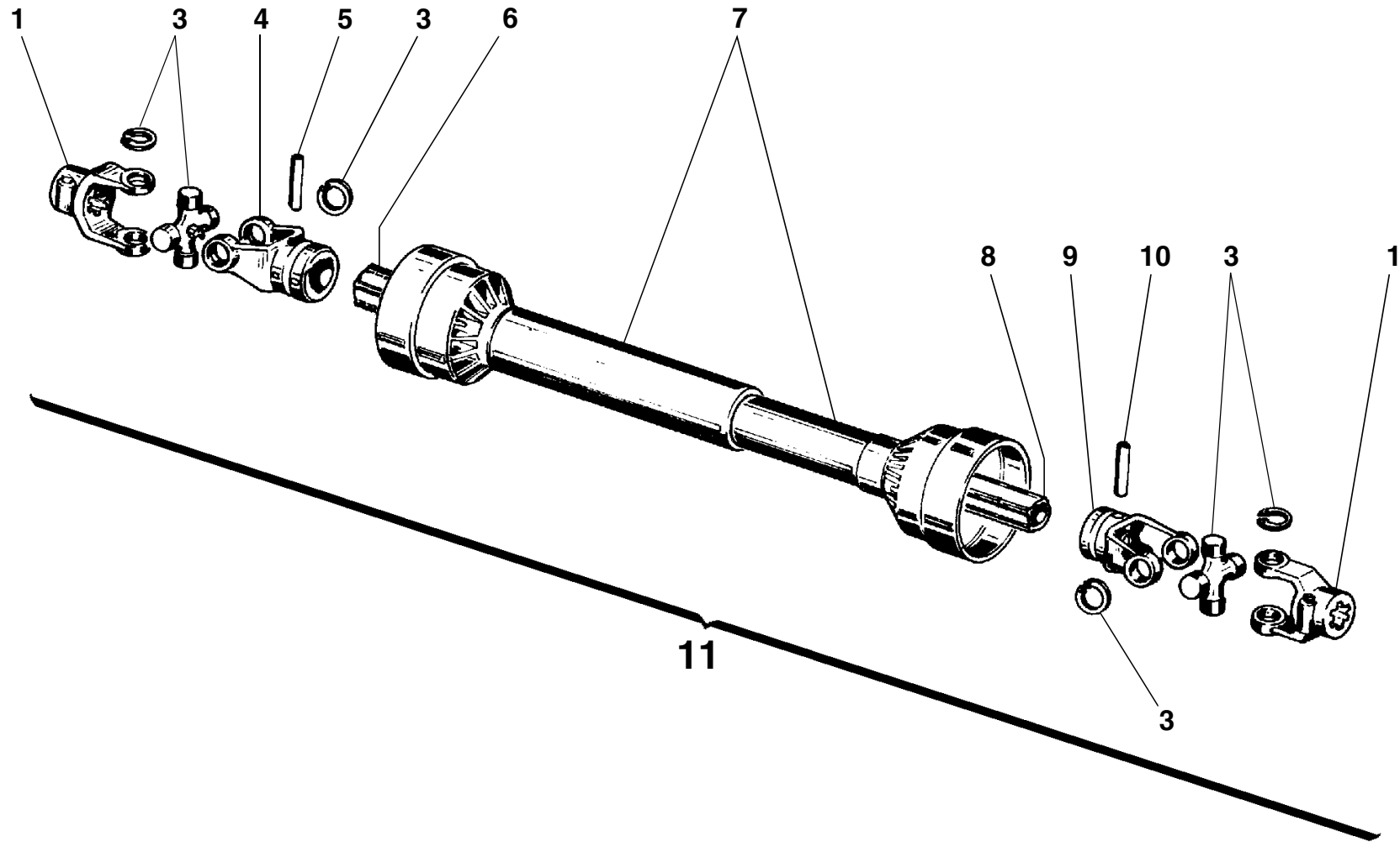
TAV. 1202/2



33

B&P 2071/2RL
RV 280-300-320

TAV. 1203



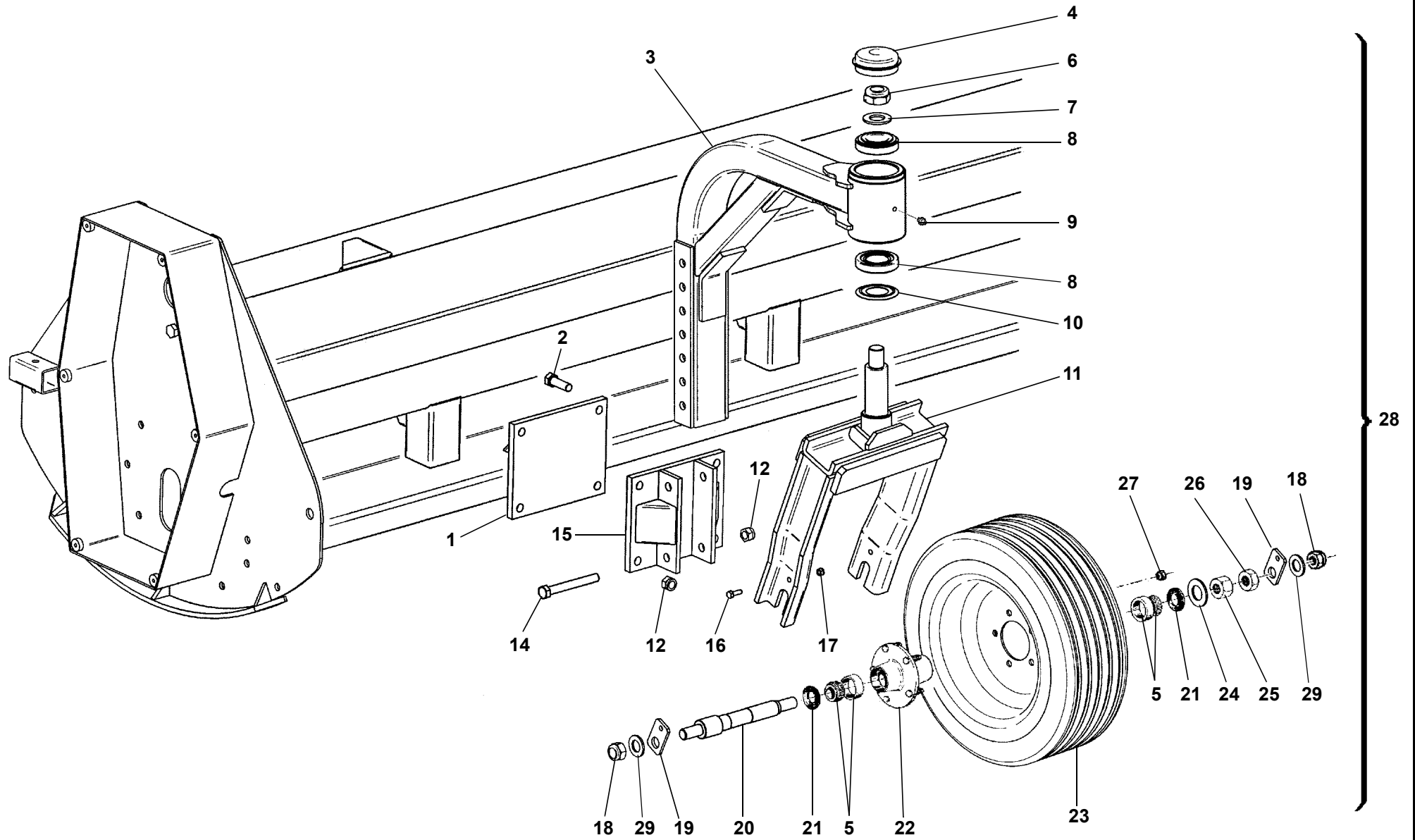
TAV. 1203

| RIF. | CODICE | DESCRIZIONE | N. |
|------|---------|-------------|----|
| 1 | 0003100 | RV 125/260 | 2 |
| | 0003135 | RV 280/320 | 2 |
| 3 | 0003104 | RV 125/260 | 2 |
| | 0003137 | RV 280/320 | 2 |
| 4 | 0003106 | RV 125/260 | 1 |
| | 0003138 | RV 280/320 | 1 |
| 5 | 0003202 | RV 125/260 | 1 |
| | 0003224 | RV 280/320 | 1 |
| 6 | 0003240 | RV 125/260 | 1 |
| | 0003242 | RV 280/320 | 1 |
| 7 | 0003427 | RV 125/260 | 1 |
| | 0003419 | RV 280/320 | 1 |
| 8 | 0003241 | RV 125/260 | 1 |
| | 0003243 | RV 280/320 | 1 |
| 9 | 0003108 | RV 125/260 | 1 |
| | 0003139 | RV 280/320 | 1 |
| 10 | 0003205 | RV 125/260 | 1 |
| | 0003227 | RV 280/320 | 1 |
| 11 | 0003047 | RV 125/260 | 1 |
| | 0003010 | RV 280/320 | 1 |

| RIF. | CODICE | DESCRIZIONE | N. |
|------|--------|-------------|----|
|------|--------|-------------|----|

| RIF. | CODICE | DESCRIZIONE | N. |
|------|--------|-------------|----|
|------|--------|-------------|----|

TAV. 1204



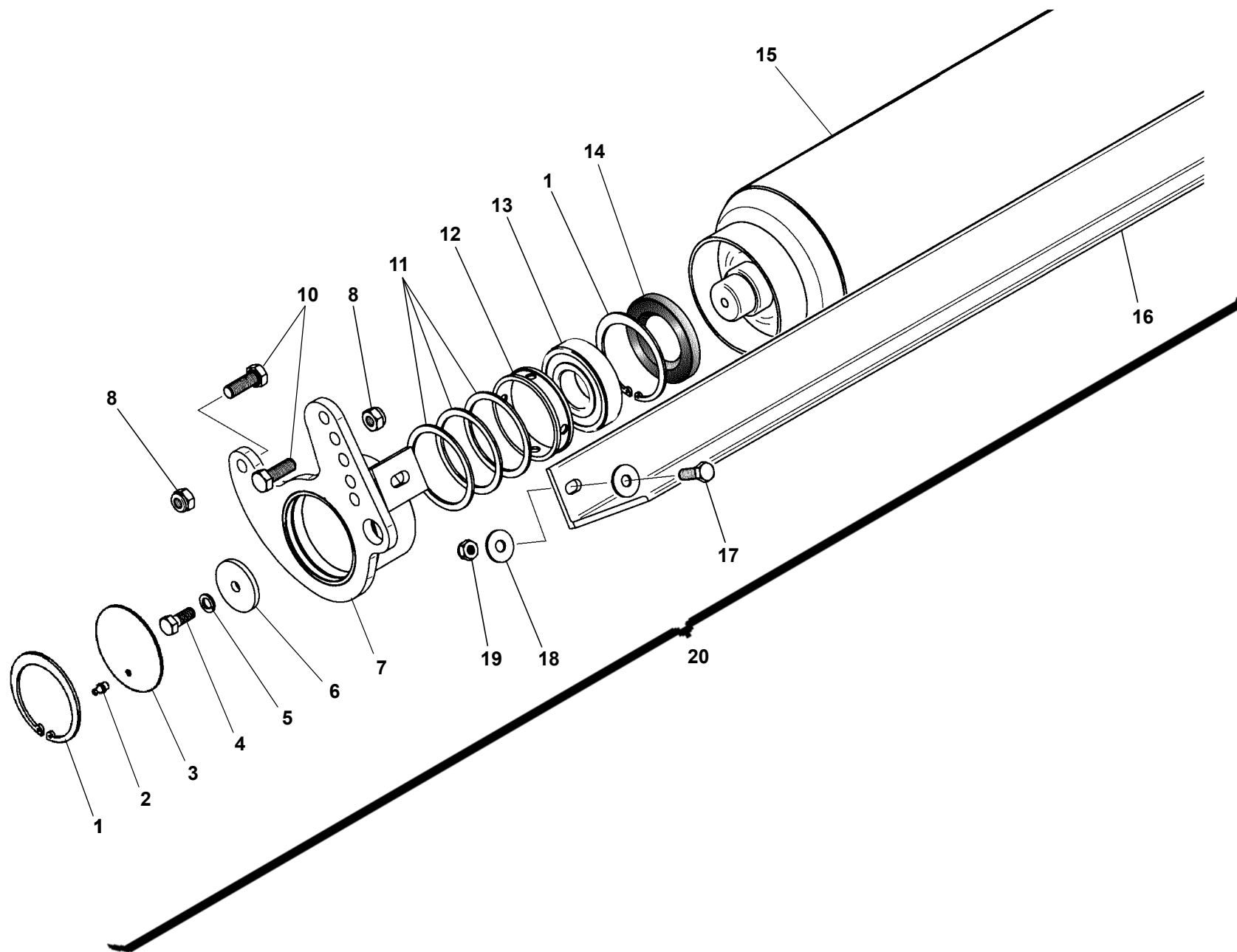
TAV. 1204

| RIF. | CODICE | DESCRIZIONE | N. |
|------|---------|-----------------|----|
| 1 | 3008168 | | 1 |
| 2 | 1111618 | M16x50 UNI5739 | 4 |
| 3 | 3012661 | | 1 |
| 4 | 0003776 | | 1 |
| 5 | 0001403 | 30206 | 2 |
| 6 | 1022430 | M30x2 | 1 |
| 7 | 1130000 | ø30 UNI6592 | 1 |
| 8 | 0001402 | 30209 | 2 |
| 9 | 0002654 | M10x1 | 1 |
| 10 | 0001822 | 45x85 | 1 |
| 11 | 3006169 | | 1 |
| 12 | 1012416 | M16 UNI7474 | 6 |
| 14 | 1101658 | M16x160 UNI5737 | 2 |
| 15 | 3012662 | | 1 |
| 16 | 1110808 | M8x25 UNI5739 | 2 |
| 17 | 1012408 | M8 UNI7474 | 2 |
| 18 | 1012422 | M22 UNI7474 | 2 |
| 19 | 3008167 | | 2 |
| 20 | 3000153 | | 1 |
| 21 | 0001802 | 30x62 | 2 |
| 22 | 0003702 | | 1 |
| 23 | 0003662 | 200/60-R14,5 | 1 |
| 24 | 1130000 | ø30 UNI6592 | 1 |
| 25 | 1022530 | M30x2 UNI5588 | 1 |
| 26 | 1021530 | M30x2 UNI5589 | 1 |
| 27 | 0003707 | | 5 |

| RIF. | CODICE | DESCRIZIONE | N. |
|------|---------|-------------|----|
| 28 | 8459002 | | 2 |
| 29 | 1124000 | ø24 UNI6593 | 2 |

| RIF. | CODICE | DESCRIZIONE | N. |
|------|--------|-------------|----|
|------|--------|-------------|----|

TAV. 1205



TAV. 1205

| RIF. | CODICE | DESCRIZIONE | N. |
|------|---------|----------------------|----|
| 1 | 1020100 | Seeger I 100 UNI7437 | 4 |
| 2 | 0002654 | M10x1 UNI7663-A | 2 |
| 3 | 3001012 | | 2 |
| 4 | 1111210 | M12x30 UNI5739 | 2 |
| 5 | 1212000 | ø12 UNI1751 | 2 |
| 6 | 3008815 | | 2 |
| 7 | 3010632 | Sx | 1 |
| | 3010633 | Dx | 1 |
| 8 | 1012414 | M14 UNI7474 | 4 |
| 9 | 3001118 | | 4 |
| 10 | 1111414 | M14x40 UNI5739 | 4 |
| 11 | 3001935 | | 6 |
| 12 | 3010024 | | 2 |
| 13 | 0001401 | 1309 | 2 |
| 14 | 0001831 | 55x100x13 | 2 |
| 15 | 3010092 | RV 200 | 1 |
| | 3010093 | RV 230 | 1 |
| | 3010094 | RV 260 | 1 |
| | 3010095 | RV 280 | 1 |
| | 3013505 | RV 300 | 1 |
| | 3010096 | RV 320 | 1 |
| 16 | 3001477 | RV 200 | 1 |
| | 3001476 | RV 230 | 1 |
| | 3002428 | RV 260 | 1 |
| | 3001464 | RV 280 | 1 |
| | 3007790 | RV 300 | 1 |

| RIF. | CODICE | DESCRIZIONE | N. |
|------|---------|-------------------------------|----|
| | 3003088 | RV 320 | 1 |
| 17 | 1111012 | M10x35 UNI5739 RV 200 | 2 |
| | 1111212 | M12x35 UNI 5739 RV 230/320 | 2 |
| 18 | 1310303 | ø10 UNI6593 RV 200 | 4 |
| | 1312363 | ø12 UNI6593 RV 230/320 | 4 |
| 19 | 1012410 | M10 UNI7474 RV 200 | 2 |
| | 1012412 | M12 UNI7474 RV 230/320 | 2 |
| 20 | 8430002 | RV 200 | 1 |
| | 8440004 | RV 230 | 1 |
| | 8850006 | RV 260 | 1 |
| | 8450010 | RV 280 | 1 |
| | 8869094 | RV 300 | 1 |
| | 8890010 | RV 320 | 1 |

| RIF. | CODICE | DESCRIZIONE | N. |
|------|--------|-------------|----|
| | | | |

