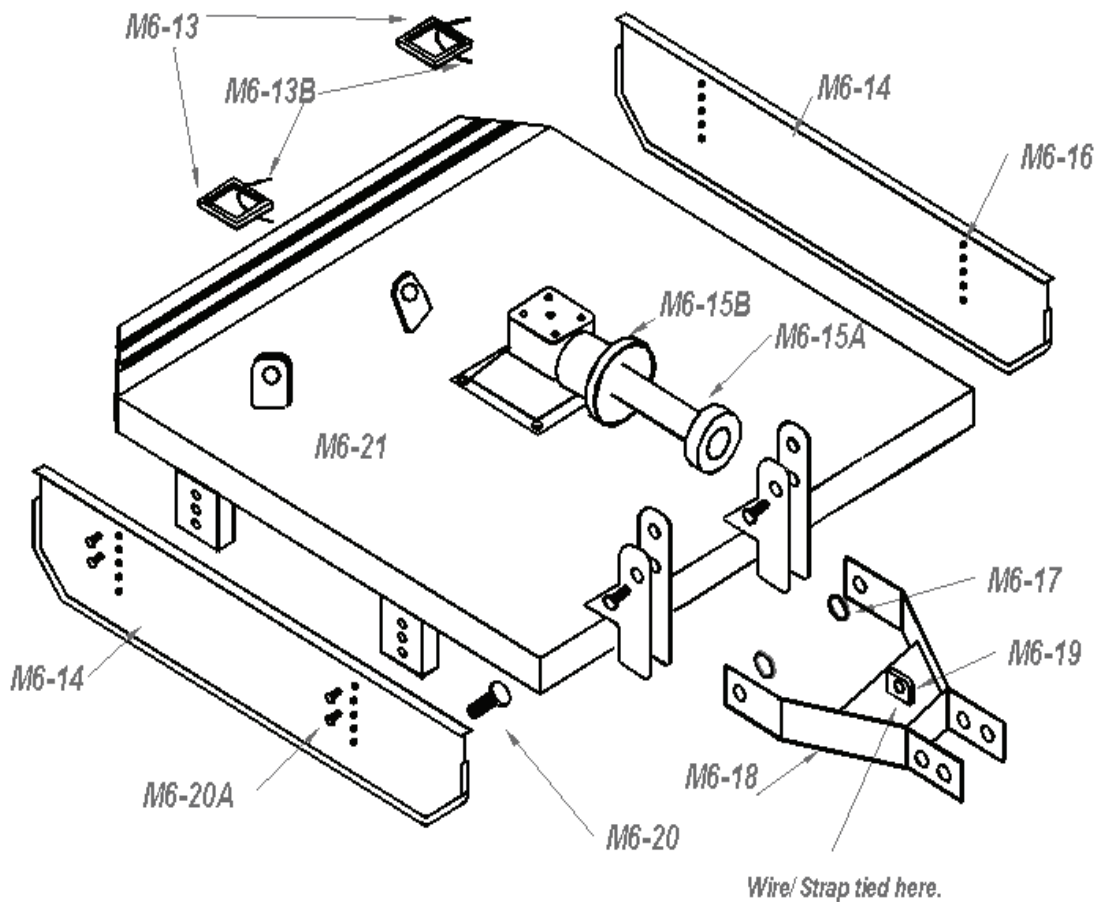
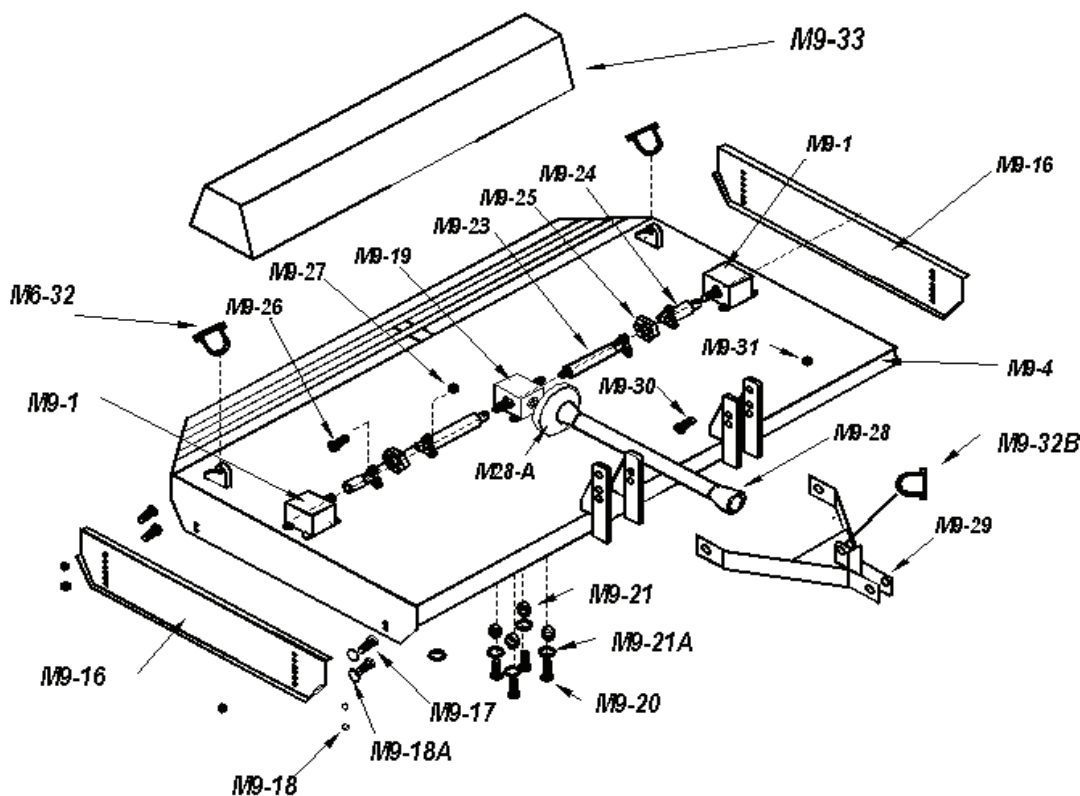


**PT6, PT8 & PT9
PASTURE TOPPERS
- Parts List -**

MAIN FRAME – PT6

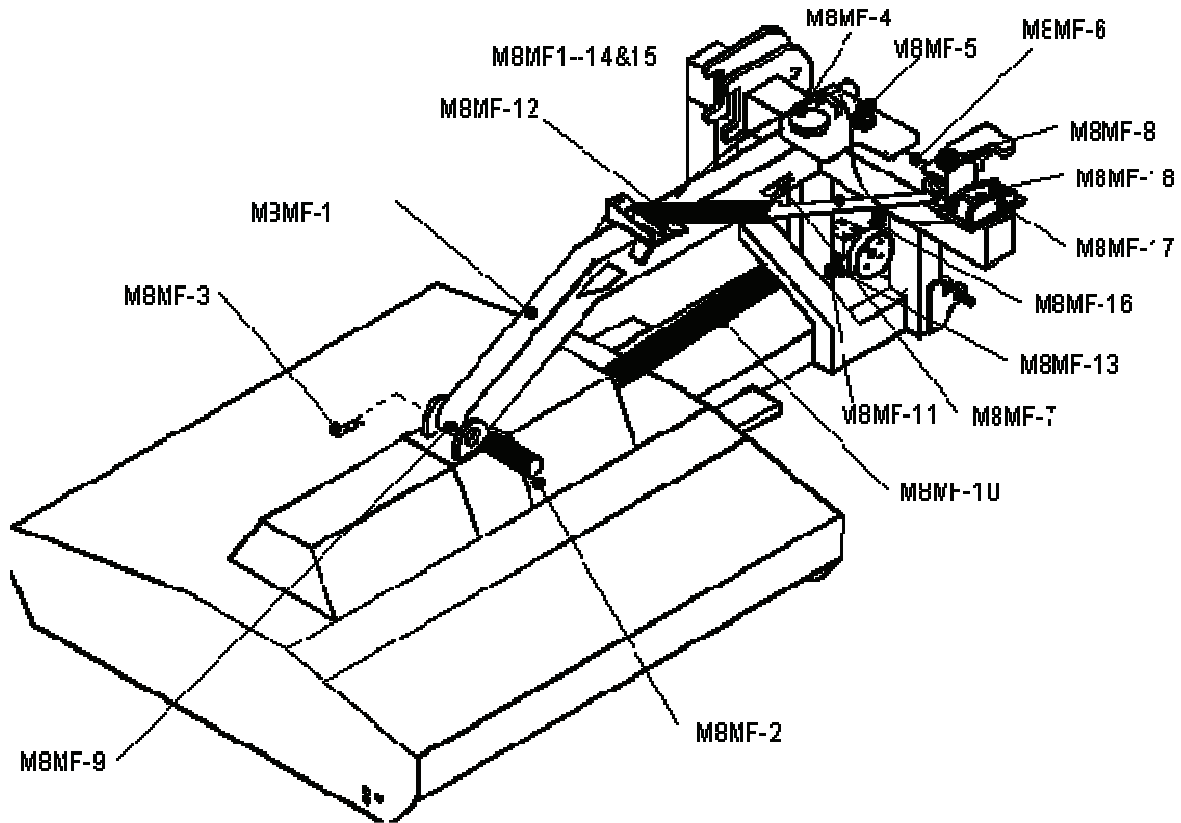


REF.	QTY.	PART No.	DESCRIPTION
M6-13	3	1096254	D/ BOW SHACKLE
M6-13B	2	1096266	2 TONNE STRAP
M6-14	2	1096267	ADJUSTABLE SLIDES (SKIDS)
M6-15A	1	1096275	PTO SHAFT – T40
M6-15B	1	21238.01	CONE COVER 190-000-536
M6-16	8	9143006	NYLOC NUT
M6-17	2	9143007	LOCK NUT
M6-18	1	1096268	A- FRAME
M6-19	1	1096269	STRAP CARRIER
M6-20	8	9213066	BOLT
M6-20A	8	9100106	FLAT WASHER
M6-21	1	1096270	MAINFRAME

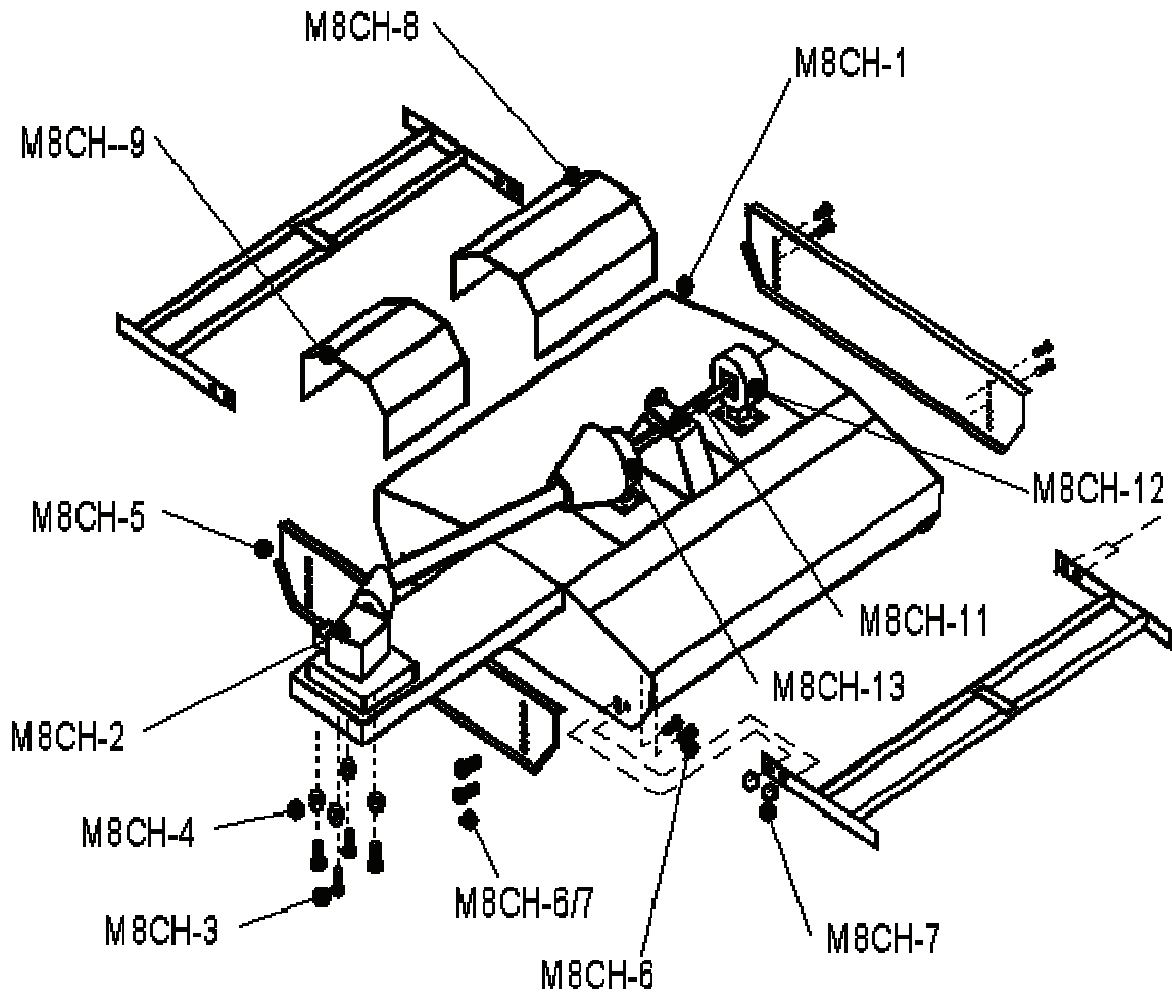


REF.	QTY	PART No.	DESCRIPTION
M9-4	1	1096250	Main Body PT8
M9-4	1	1096251	Main Body PT9
M9-16	2	1096252	Adjustable Slides
M9-17	8	9313066	Bolt
M9-18	8	9143006	Lock Nut
M9-18A	12	9100106	Flat Washers
M9-19	1	21459.01	Gearbox – 267 – 006
M9-20	4	9313066	Bolts
M9-21	4	9100206	Spring Washer
M9-21A	4	9100106	Flat Washer
M9-23	2	21457.04	Main Drive Shaft PT8
M9-23	2	21457.02	Main Drive Shaft PT9
M9-24	2	-	End Drive Shaft
M9-25	2	-	Rubber Coupling
M9-26	12	9213166	Bolts
M9-27	12	9143006	Lock Nut
M9-28	1	21040.03	PTO Shaft with Overrun & Shearbolt
	1	9200051	Shearbolt
M9-28A	1	21238.01	Cone Cover –190-000-536
M9-29	1	1096253	A Frame
M9-30	2	9313118	Bolt
M9-31	2	9100108	Lock Nut
M9-32	3	ELA0027	D Shackle
M9-32B	1	1096254	D16/D Bow Shackles – S4179
M9-33	1	1096255	Safety Guard

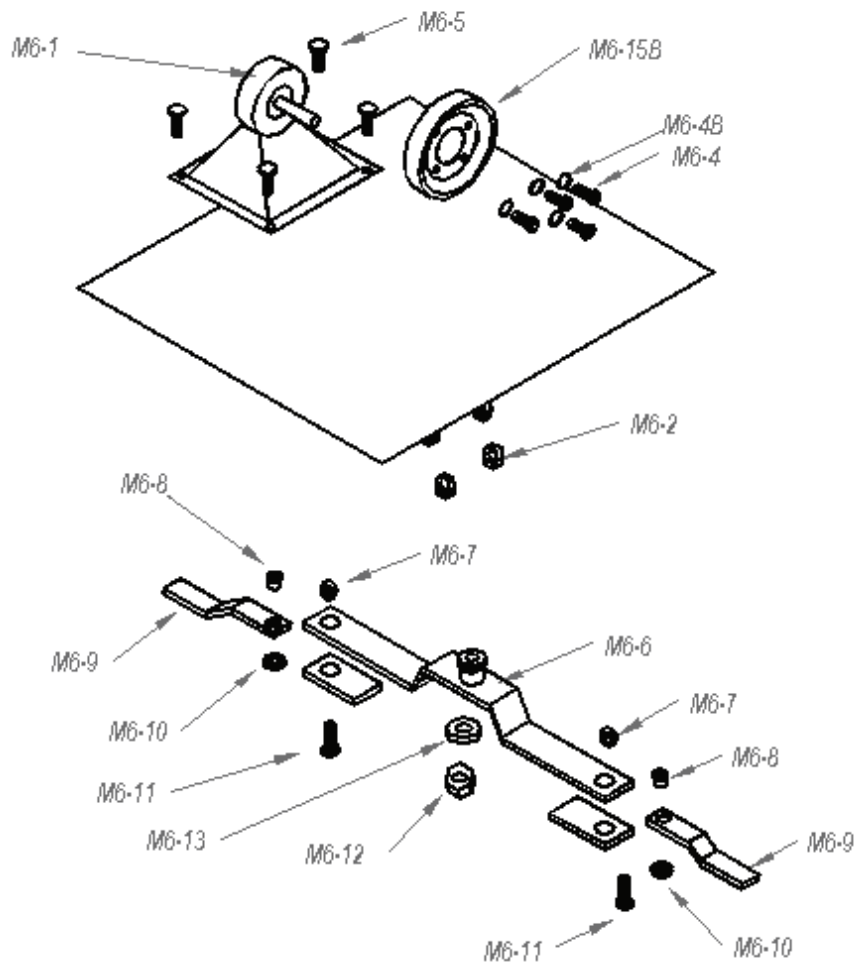
MAIN FRAME – PT8 Offset



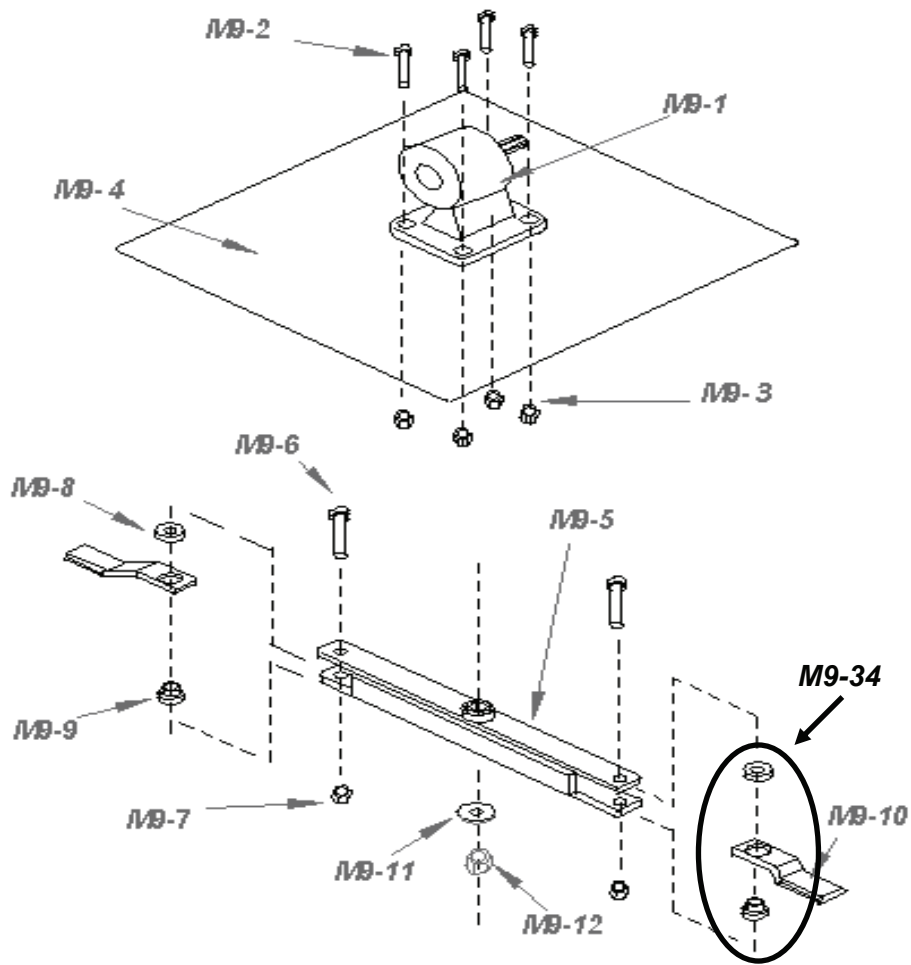
REF.	QTY	PART No.	DESCRIPTION
M8MF-1	1	1096288	Carrier Arms
M8MF-2	1	1096289	Carrier pin
M8MF-3	4	1096290	Split Pin
M8MF-4	4	1096291	Link Frame Pin
M8MF-5	2	1096292	Safety Lock Pin
M8MF-6	16	1096293	Linkage Frame
M8MF-7	16		R Clip
M8MF-8	1	9143008	Nyloc Nut
M8MF-9	1		Greaser
M8MF-10	1		PTO Shaft
M8MF-11	1	1096294	Lower Frame Pin
M8MF-12	1	1096295	Hydraulic Ram
M8MF-13	1		Greaser
M8MF-14	2	1096297	Roller Bolt
M8MF-15	2	1096297	Roller
M8MF-16	1	1096298	Spring
M8MF-17	1	9313107	Bolt
M8MF-18	1	0100106	Flat Washer



REF.	QTY	PART No.	DESCRIPTION
M8CH-1	1	1096271	Main Frame
M8CH-2	1	1096272	Gearbox
M8CH-3	4	9317056	Bolt
M8CH-4	4	9100106	Washer
M8CH-5	2	1096279	Adjustable Slides
M8CH-6	16	9213066	Bolt
M8CH-7	16	9143006	Nyloc Nuts
M8CH-8	1	1096273	Back Guard
M8CH-9	1	1069274	Front Guard
M8CH-10	1	1096275	PTO Shaft
M8CH-11	1	1096276	Transfer Shaft
M8CH-12	1	1096277	Gearbox
M8CH-13	1	1096278	T-Box

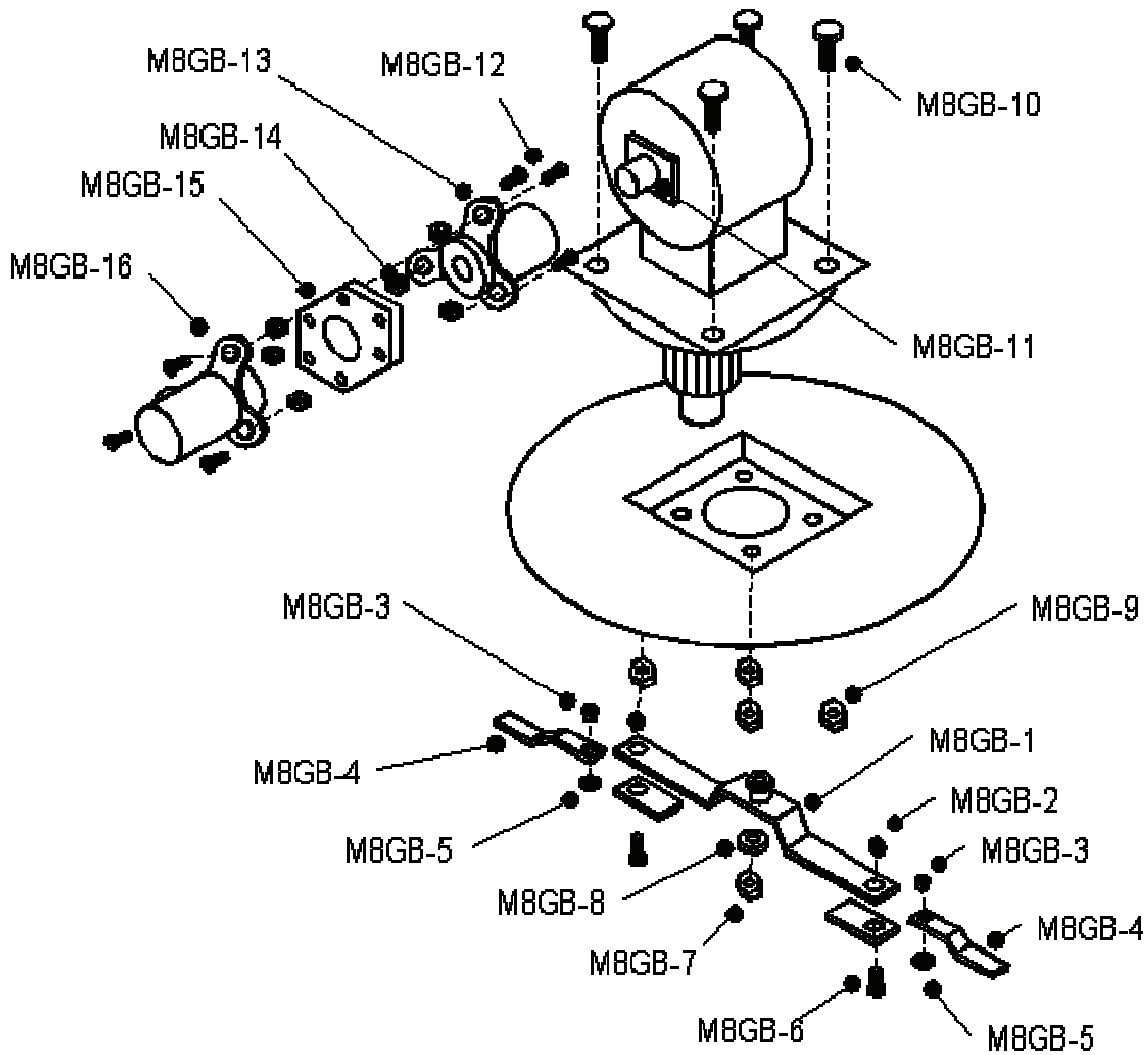


REF.	QTY.	PART No.	DESCRIPTION
M6-1	1	1096300	GEARBOX 205-801
M6-2	4	9143007	NYLOC NUT
M6-4	4	1096301	BOLT
M6-4B	4	9100104	FLAT WASHER
M6-15B	1	21238.01	CONE COVER 190-000-536
M6-5	4	9213107	BOLT
M6-6	1	1096302	BLADE CARRIER
M6-7	2	9143008	NYLOC NUT
M6-8	2	1096303	UPPER BLADE BUSHING
M6-9	2	1096304	DOUBLE SIDED BLADE
M6-10	2	1096305	LOWER BLADE BUSHING
M6-11	2	1096306	BOLT
M6-12	2	1096307	CASTLELLATED NUT & SPLIT PIN
M6-13	1	1096308	FLAT WASHER
M6-22 (circled)	1	1096309	BLADE BUSH SET (incl. Bushing & Bolts)



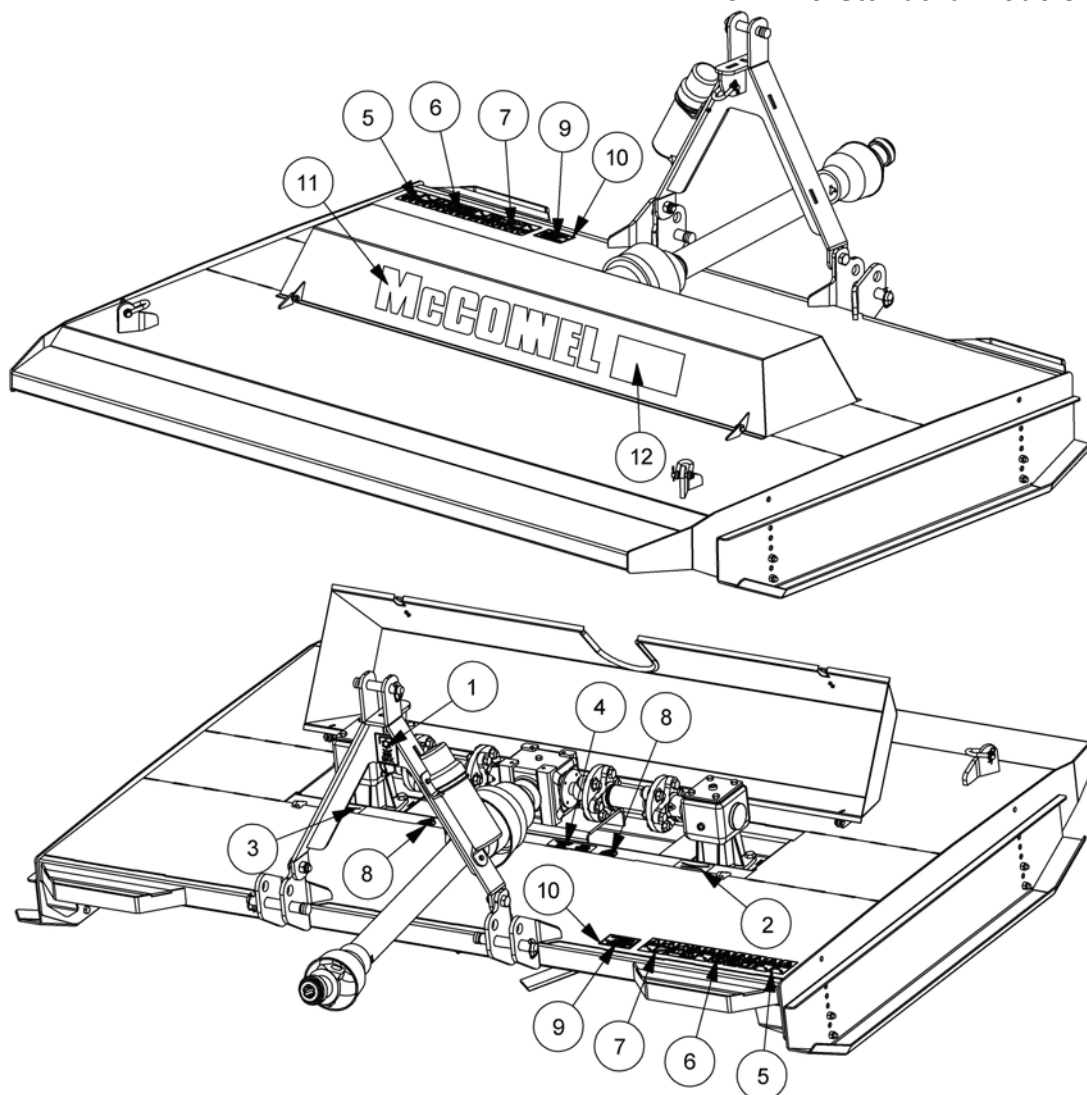
REF.	QTY	PART No.	DESCRIPTION
M9-1	2	21459.02	Gearbox 805-205
M9-2	4	9313107	Bolt
M9-3	4	9143007	Lock Nut
M9-4	1	1096256	Main Body PT8
M9-4	1	1096257	Main Body PT9
M9-5	1	1096265	Blade Carrier PT8
M9-5	1	1096258	Blade Carrier PT9
M9-6	2	9213168	Bolt
M9-7	2	9143008	Lock Nut
M9-8	2	1096259	Upper Blade Bushing
M9-9	2	1096260	Lower Blade Bushing
M9-10	2	1096261	Cutting Blade
M9-11	1	1096262	Flat Washer
M9-12	1	1096263	Castellated Nut & Split Pin
M9-34 (circled)	1	1096264	Blade & Bushing Set

BLADE CARRIER – PT8 Offset



REF.	QTY	PART No.	DESCRIPTION
M8CH-1	2	1096280	Blade Carrier
M8CH-2	4	9143008	Lock Nut
M8CH-3	4	1096281	Upper Blade Bushing
M8CH-4	4	1096282	Double Edged Blade Bushing
M8CH-5	4	1096283	Lower Blade Bushing
M8CH-6	4	9217208	Bolt
M8CH-7	2	1096284	Nyloc Nut
M8CH-8	2	1096285	Washer
M8CH-9	4	9143007	Nyloc Nut
M8CH-10	4	9313087	Bolt
M8CH-11	1	1096277	Gearbox
M8CH-12	6	9213156	Bolt
M8CH-13	1	1096286	Driving Flange
M8CH-14	6	9113006	Nut
M8CH-15	1	1096287	Rubber Buffer
M8CH-16	1	1096276	Transfer Shaft

PT8 / PT9 Standard Models Illustrated



1096710K

DECAL KIT - PT6 Models

1096705

DECAL KIT - PT8 Models

1096706

DECAL KIT - PT9 Models

1	1	09.811.04	DECAL - 540 RPM PTO SPEED
2	*	D137	DECAL - CCW BLADE ROTATION
3	*	D138	DECAL - CW BLADE ROTATION
4	*	D132	DECAL - BLADE TIMING
5	1	09.821.29	DECAL - COMBINED EURODECAL
6	1	09.821.30	DECAL - COMBINED EURODECAL
7	1	09.821.34	DECAL - COMBINED EURODECAL
8	*	09.810.02	DECAL - GREASE (40 HOURS)
9	1	1335246	DECAL - SERIAL No. PLATE
10	4	7103230	DECAL - POP RIVET
11	1	1290649	DECAL - McCONNEL (SILVER)
12	1	1290654	DECAL - PT8 (SILVER)
	1	1290655	DECAL - PT9 (SILVER)
	1	1290680	DECAL - PT6 (SILVER)

* N/A to PT6 Models



McConnel Limited, Temeside Works, Ludlow, Shropshire SY8 1JL. England.
Telephone: 01584 873131. Facsimile: 01584 876463. www.mcconnel.com