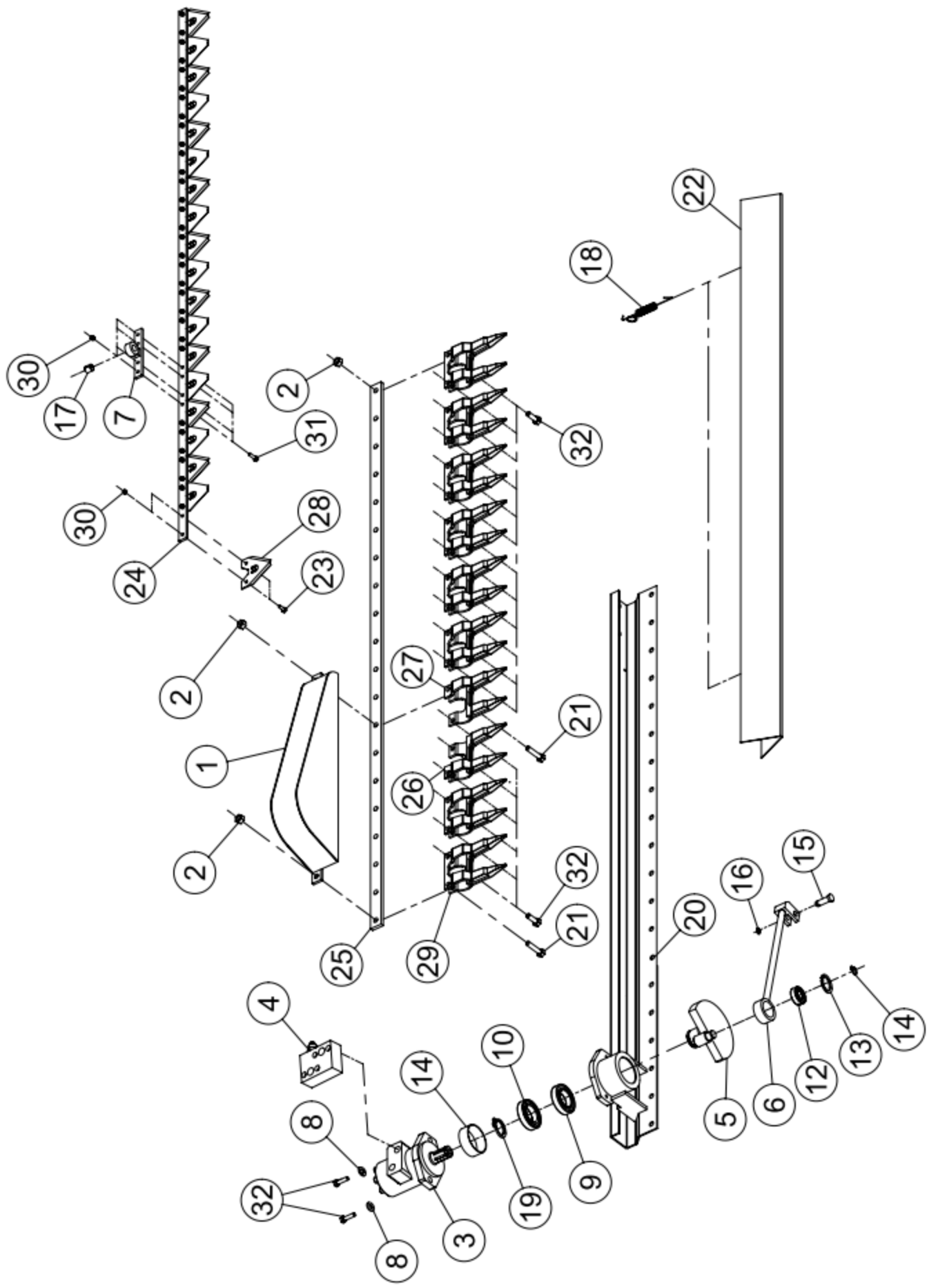


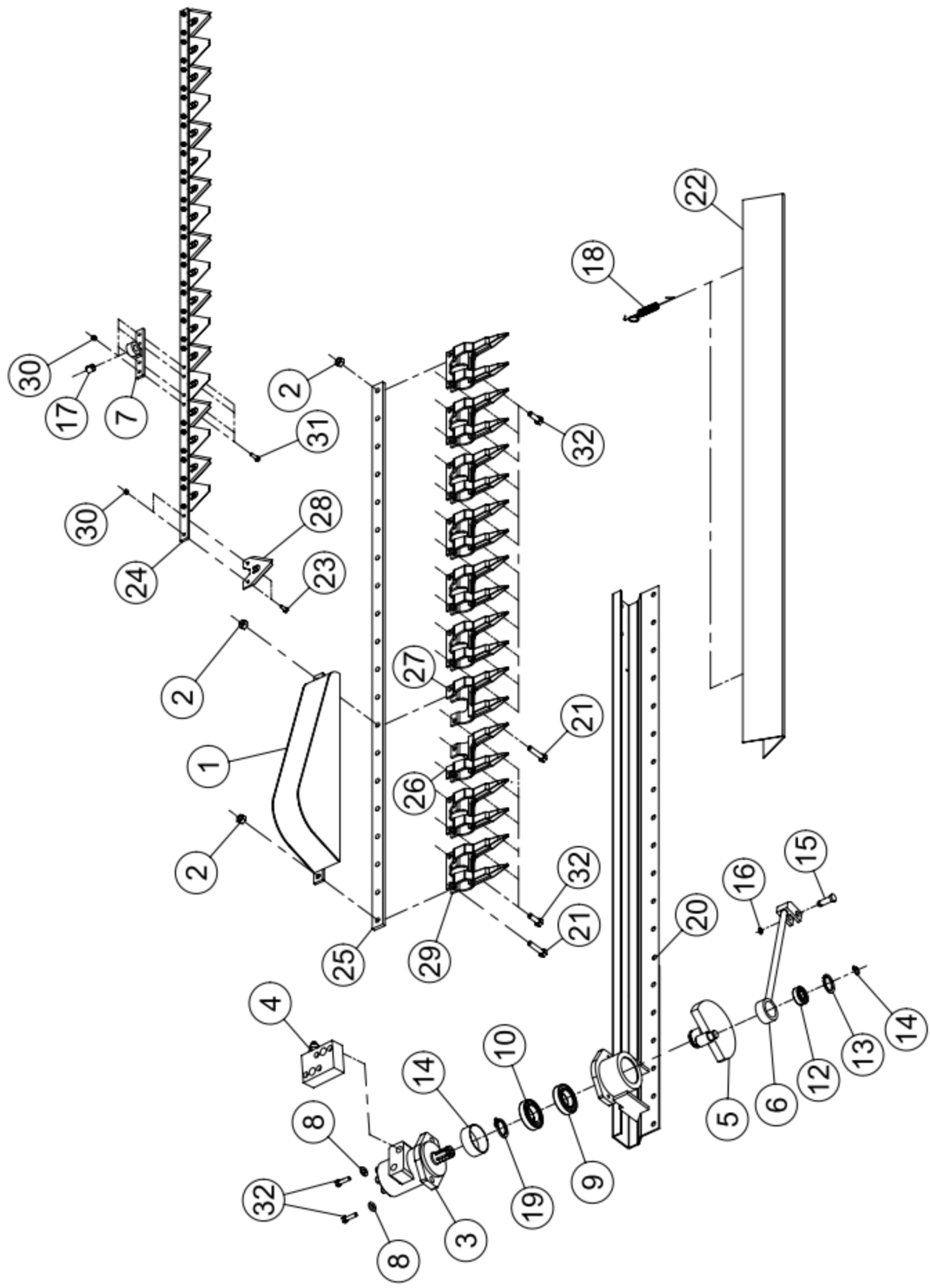
PARTS MANUAL

FOR

SERIAL NO: M2167052

PRINTED ON 23 SEP 2022





Pdabekausen **POWER**

Pos.	Codice	Descrizione	Quantità	Kit	Prezzo Uni.
1	44000-0036	CARTER	1		
2	99500-0041	DADO NORMALE M10 UNI 5588	20		
3	99000-0106	MOTORE ORBITALE 50 cc	1		
	99000-0042	MOTORE ORBITALE 80 cc	1		
	99000-0025	MOTORE ORBITALE 160 cc	1		
4	99000-0024	VALVOLA DI MASSIMA PRESSIONE	1		
5	44000-0037	ALBERO ECCENTRICO	1		
6	44000-0046	BIELLA RINFORZATA	1	B	
7	44000-0021	TESTA DI LAMA	1	A	
8	99500-0023	RONDELLA UNI-6592 Ø NOM.mm 10 Ø E.mm 21 SPESS.mm2	2		
9	99000-0018	CUSCINETTO 6008 2RS1	1		
10	99000-0017	CUSCINETTO 6008	1		
11	55000-0136	SPESSORE L=25.3	1		
11	55000-0143	SPESSORE L=22.3	1		
12	99000-0019	CUSCINETTO 6203 2RS1	1	B	
13	99000-0015	ANELLO DI ARRESTO UNI 7437 Ø 40	1	B	
14	99000-0013	ANELLO DI ARRESTO UNI-7435 Ø 17	1	B	
15	55000-0075	SPINOTTO	1	B	
16	99000-0014	ANELLO DI ARRESTO UNI-7435 Ø 12	1	B	
17	99000-0026	BOCCOLA GLYCODUR 121415	1	A	
18	99000-0016	MOLLA	2		
19	99000-0012	ANELLO DI ARRESTO UNI-7435 Ø 40	1		
20	44000-0048	SAGOMATO SUPPORTO	1		
21	99500-0018	VITE TE M 10 X 35 UNI 5737 CL. 8.8	2		
22	55000-0155	PROTEZIONE	1		
23	99500-0024	VITE TE SPECIALE M 6 X 16	34	A	
24	55000-0156	BARRA FISSAGGIO SEZIONI (senza sezioni e bulloneria)	1	A	
25	55000-0157	BARRA SUPPORTO DENTI	1		
26	99100-0004	DENTE TAGLIATO	1		
27	99100-0006	DENTE TAGLIATO	1		
28	99000-0010	SEZIONE	19	A	
29	99000-0011	DENTE	8		
30	99500-0025	DADO TRIBLOCK M 6	38	A	
31	99500-0040	VITE M 6 X 25 UNI 5737 CL. 8.8 ZNT	4	A	
32	99500-0020	VITE TE M 10 X 30 UNI 5737 CL. 10.9	20		

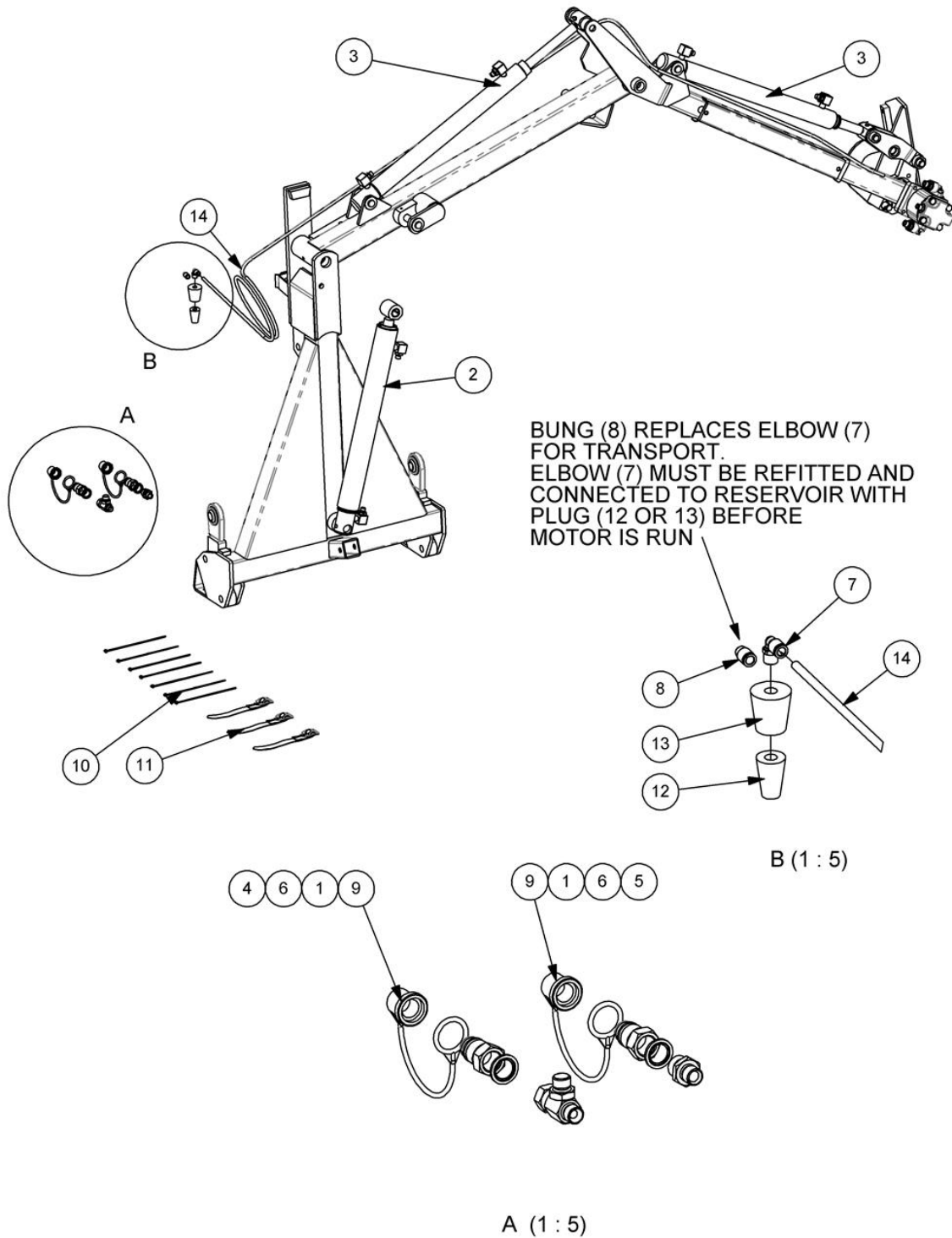
Kit	Rif.	Descrizione	Prezzo
B	KIT00-0001	gruppo biella completo	
A	KIT00-0004	lama completa	

Pdabekausen **POWER**

Pos.	Codice	Descrizione	Quantità	Kit	Prezzo Uni.
1	44000-0036	CARTER	1		
2	99500-0041	DADO NORMALE M10 UNI 5588	20		
3	99000-0106	MOTORE ORBITALE 50 cc	1		
	99000-0042	MOTORE ORBITALE 80 cc	1		
	99000-0025	MOTORE ORBITALE 160 cc	1		
4	99000-0024	VALVOLA DI MASSIMA PRESSIONE	1		
5	44000-0037	ALBERO ECCENTRICO	1		
6	44000-0046	BIELLA RINFORZATA	1	B	
7	44000-0021	TESTA DI LAMA	1	A	
8	99500-0023	RONDELLA UNI-6592 Ø NOM.mm 10 Ø E.mm 21 SPESS.mm2	2		
9	99000-0018	CUSCINETTO 6008 2RS1	1		
10	99000-0017	CUSCINETTO 6008	1		
11	55000-0136	SPESSORE L=25.3	1		
11	55000-0143	SPESSORE L=22.3	1		
12	99000-0019	CUSCINETTO 6203 2RS1	1	B	
13	99000-0015	ANELLO DI ARRESTO UNI 7437 Ø 40	1	B	
14	99000-0013	ANELLO DI ARRESTO UNI-7435 Ø 17	1	B	
15	55000-0075	SPINOTTO	1	B	
16	99000-0014	ANELLO DI ARRESTO UNI-7435 Ø 12	1	B	
17	99000-0026	BOCCOLA GLYCODUR 121415	1	A	
18	99000-0016	MOLLA	2		
19	99000-0012	ANELLO DI ARRESTO UNI-7435 Ø 40	1		
20	44000-0048	SAGOMATO SUPPORTO	1		
21	99500-0018	VITE TE M 10 X 35 UNI 5737 CL. 8.8	2		
22	55000-0155	PROTEZIONE	1		
23	99500-0024	VITE TE SPECIALE M 6 X 16	34	A	
24	55000-0156	BARRA FISSAGGIO SEZIONI (senza sezioni e bulloneria)	1	A	
25	55000-0157	BARRA SUPPORTO DENTI	1		
26	99100-0004	DENTE TAGLIATO	1		
27	99100-0006	DENTE TAGLIATO	1		
28	99000-0010	SEZIONE	19	A	
29	99000-0011	DENTE	8		
30	99500-0025	DADO TRIBLOCK M 6	38	A	
31	99500-0040	VITE M 6 X 25 UNI 5737 CL. 8.8 ZNT	4	A	
32	99500-0020	VITE TE M 10 X 30 UNI 5737 CL. 10.9	20		

Kit	Rif.	Descrizione	Prezzo
B	KIT00-0001	gruppo biella completo	
A	KIT00-0004	lama completa	

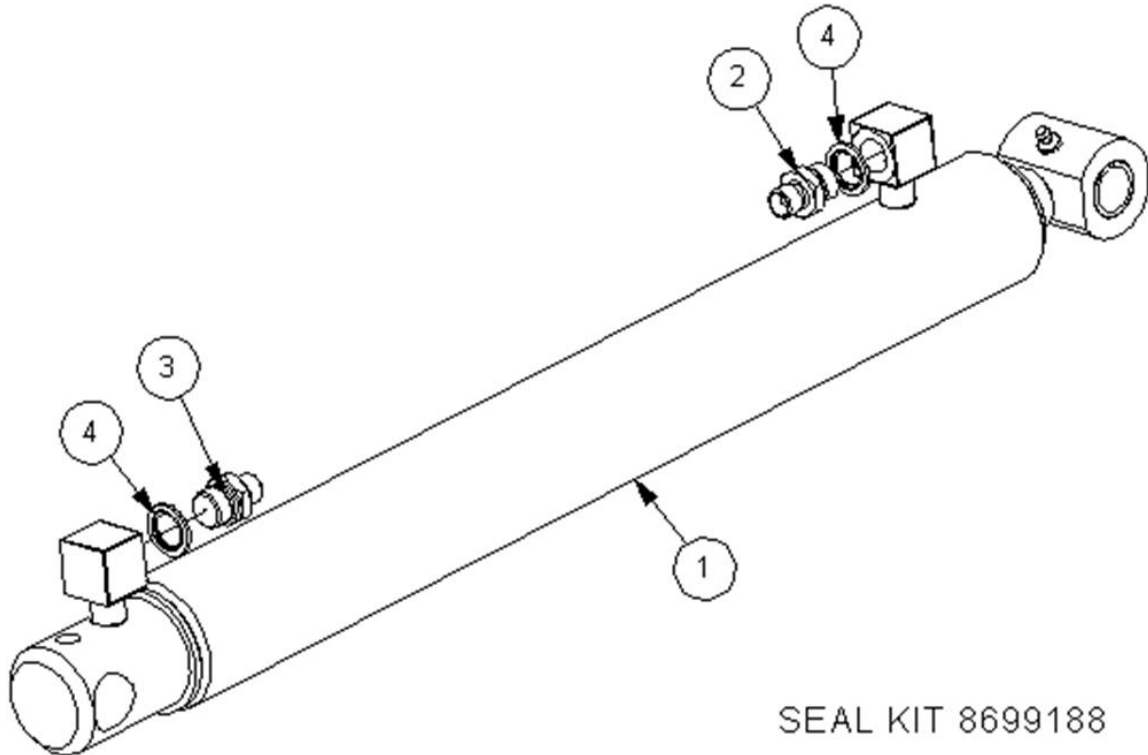
1090387 - HYD INST



Ref	Part No	Description	QTY
1	8590074	COUPLING	2
2	1090305	RAM	1
3	1090302	RAM	2
4	11.068.69	ADAPTOR	1
5	6000112	ADAPTOR	2
6	8650104	SEAL	2
7	8581329	ADAPTOR	1

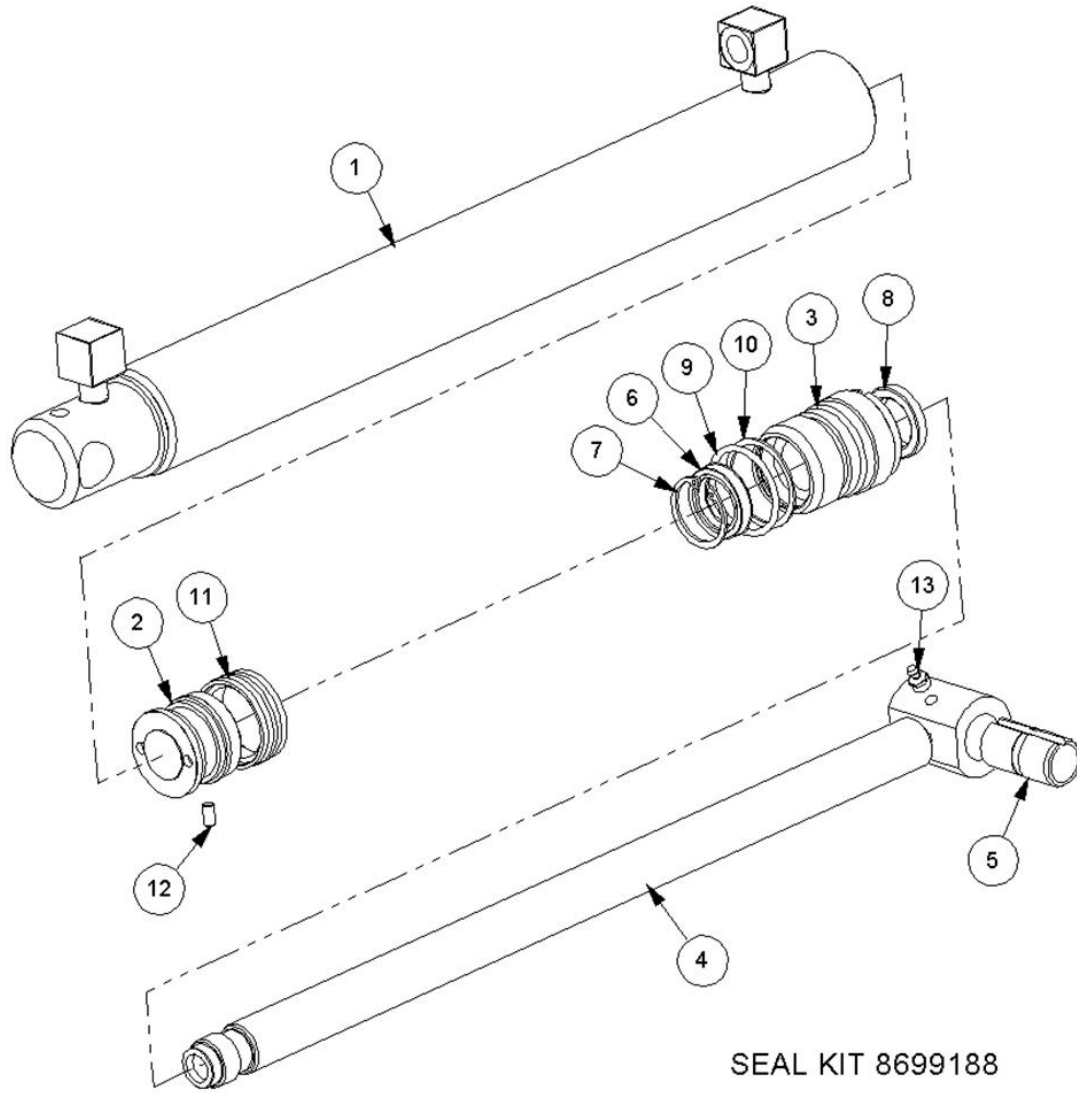
Ref	Part No	Description	QTY
8	8581585	PLUG	1
9	8002108	CAP	2
10	7135084	HOSE TIE	7
11	7106187	STRAP	3
12	1090093	ADAPTOR	1
13	1090092	ADAPTOR	1
14	8501148	HOSE	1
15	00900913	SLEEVING	800

1090305 - RAM



Ref	Part No	Description	QTY
1	1090274	RAM	1
1	1090274P	RAM	0
2	8581115	ADAPTOR	1
2	8699188	SEAL KIT	0
3	8130068	RESTRICTOR	1
4	8650103	SEAL	2

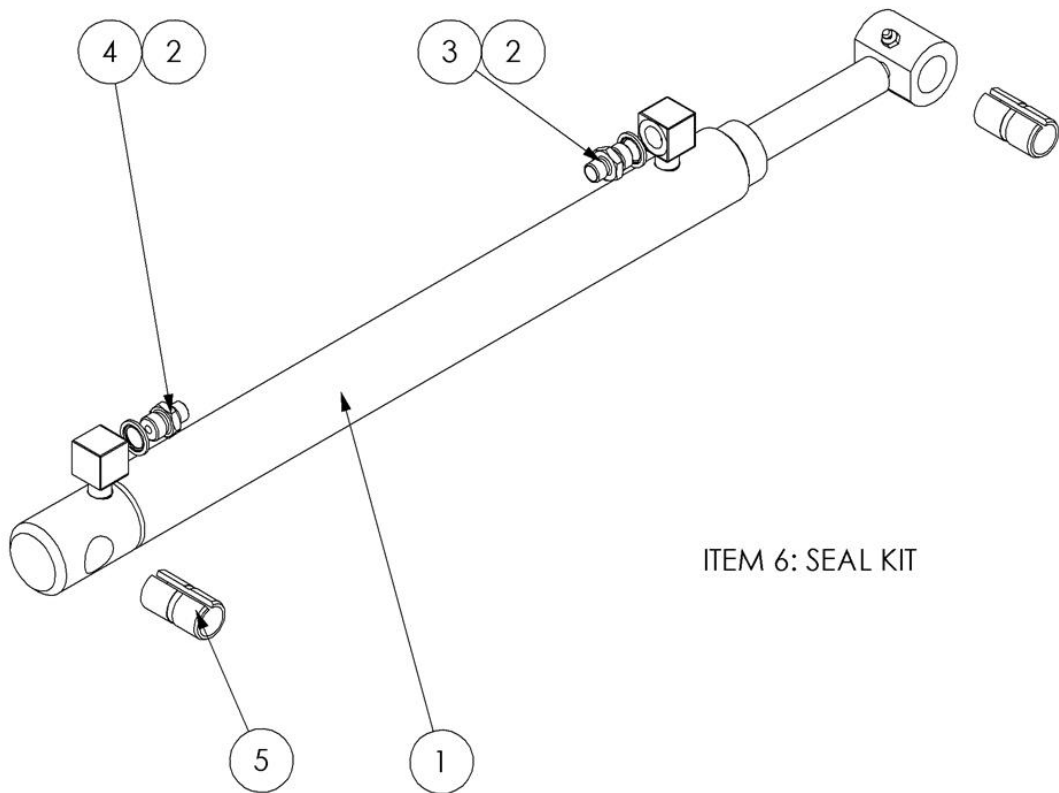
1090274 - RAM



SEAL KIT 8699188

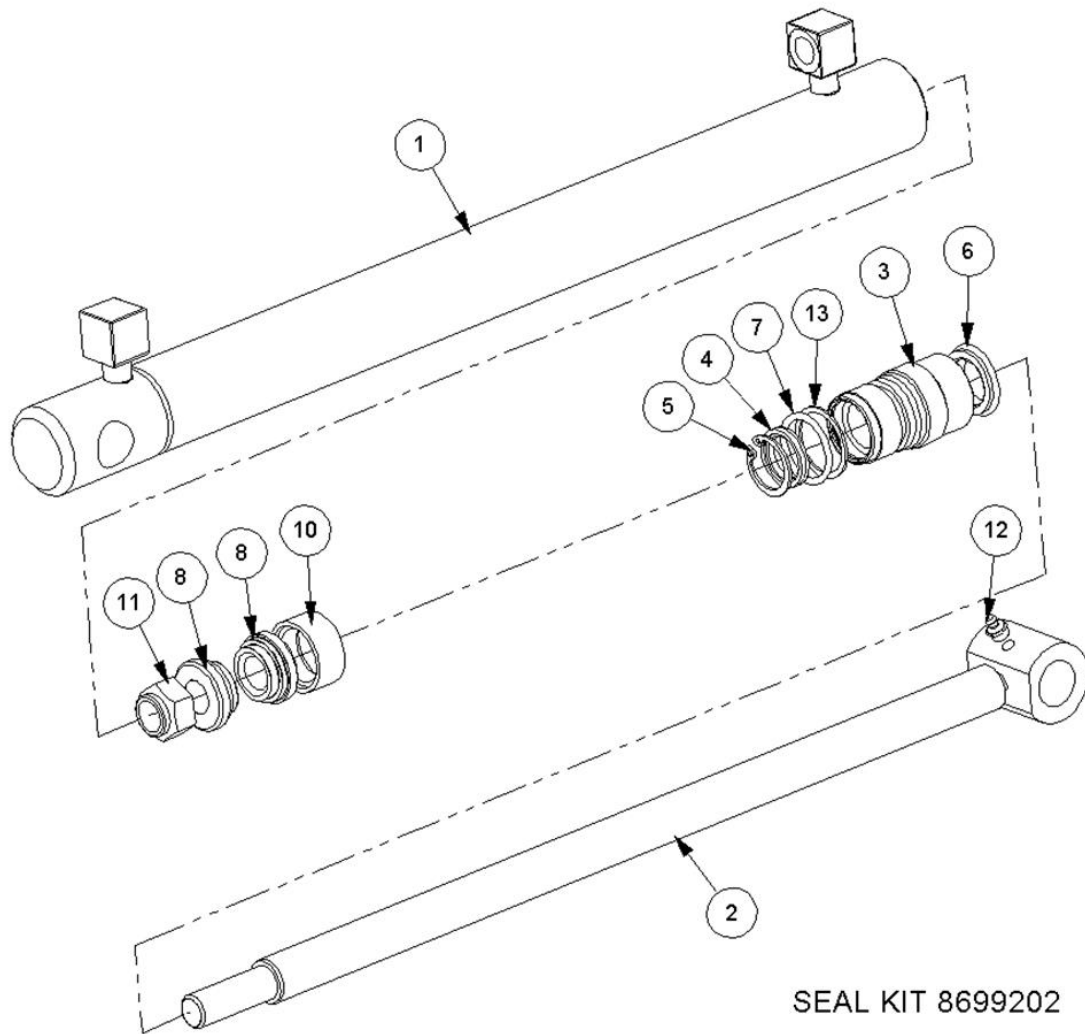
Ref	Part No	Description	QTY
1	1090275	CYLINDER 0 50 B	1
2	7135008	PISTON	1
3	7135291	HOUSING	1
4	1090122	PISTON ROD	1
5	1130002	BUSH	1
6	8629148	SEAL	1
7	0416240	CIRCLIP	1
8	8629149	SCRAPER RING	1
9	8600302	"O" RING	1
10	8609302	ANTI.EXT.RING	1
11	8638788	SEAL	1
12	9363023	SCREW	1
13	0901121	GREASER	1
14	8699188	SEAL KIT	0

1090302 - RAM



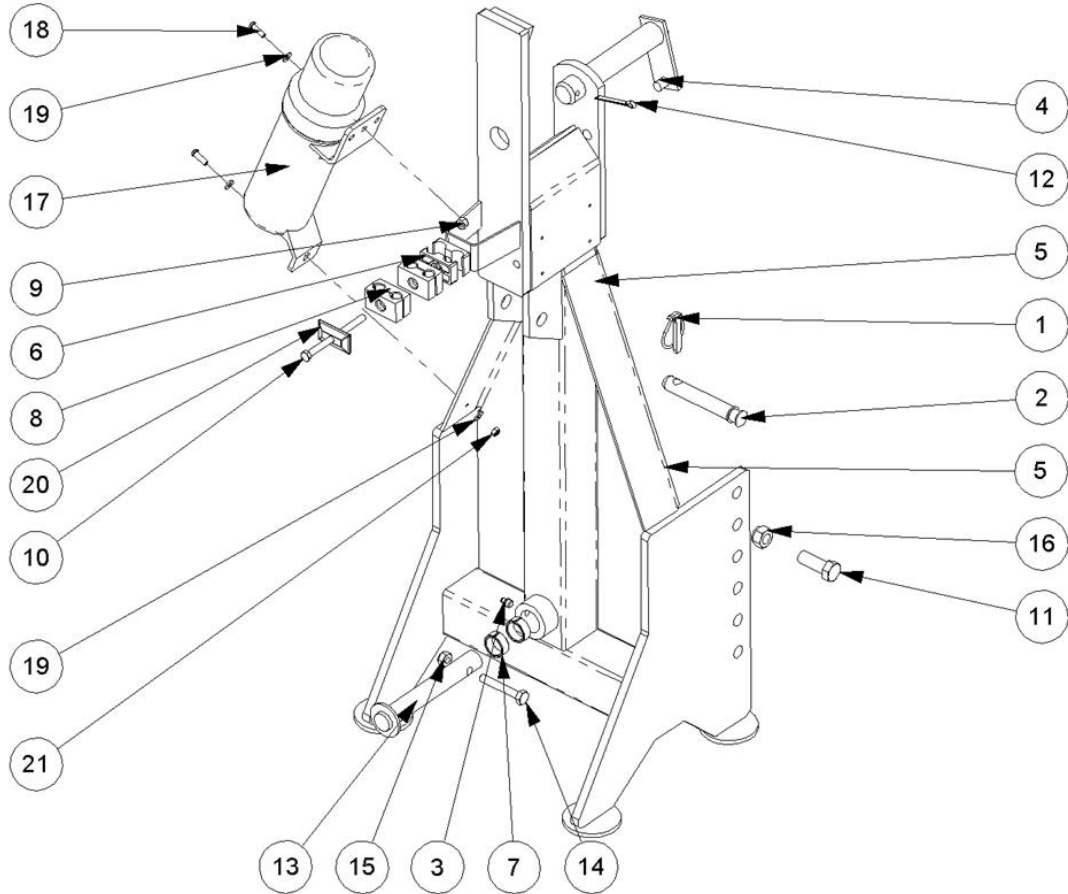
Ref	Part No	Description	QTY
1	1090271	RAM	1
1	1090271P	RAM -PAINTED	0
2	8650103	SEAL	2
3	8130068	RESTRICTOR	1
4	8581145	UNION	1
5	1130002	BUSH	2
6	8699202	SEAL KIT	0

1090271 - RAM



Ref	Part No	Description	QTY
1	1090272	BARREL (RECON)	1
1	8699202	SEAL KIT	0
2	1090031	PISTON ROD	1
3	1090273	HOUSING	1
4	8629162	SEAL	1
5	0411234	CIRCLIP	1
6	8629161	SEAL	1
7	8600124	O-RING	1
8	1130034	PISTON	2
9	8600112	O RING	1
10	8629160	SEAL	1
11	0141007	NUT	1
12	0901121	GREASER	1
13	8609124	AE RING	1

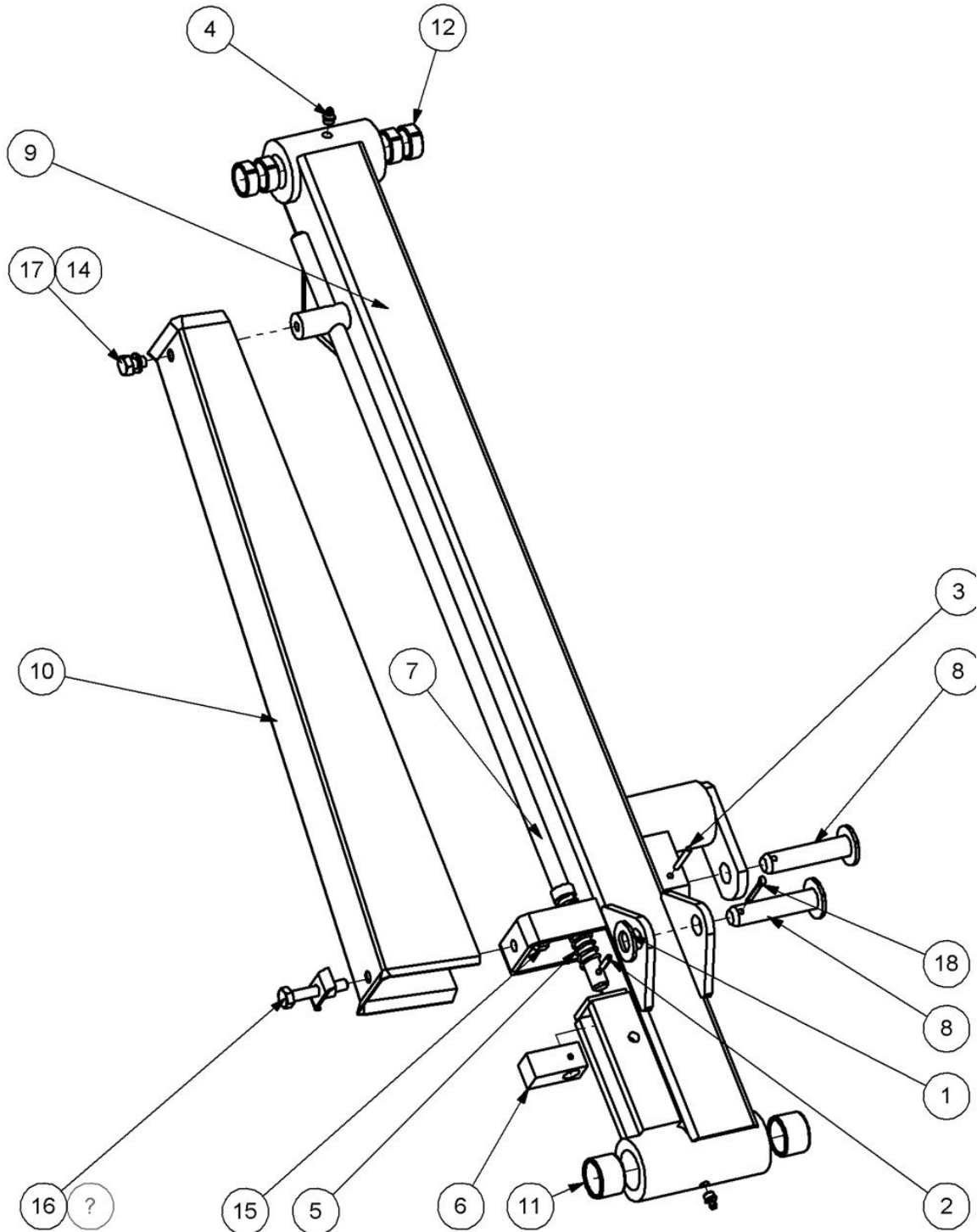
1090701 - FM MAINFRAME MODULE



Ref	Part No	Description	QTY
1	0431217	LINCH PIN	1
2	T1657	PIN - LINKAGE	1
3	0901121	GREASER	2
4	1090042	PIN	1
5	1090735	FRONT MOUNT FRAME W.A.	1
6	06.430.04	DOUBLE HOSE CLAMP	2
7	7012037	BUSH	4
8	7193065	HOSE CLAMP	2
9	9163004	NUT	1
10	9213224	BOLT	1
11	9313097	SCREW	2
12	9501507	PIN	1
13	22904.01	PIN	1
14	9213135	BOLT	1
15	9163005	NUT	1
16	9163007	NUT	2

Ref	Part No	Description	QTY
17	46505.01	HOLDER	1
18	9300143	SCREW	2
19	9100103	WASHER	4
20	7193066	PLATE	1
21	9163003	NUT	2

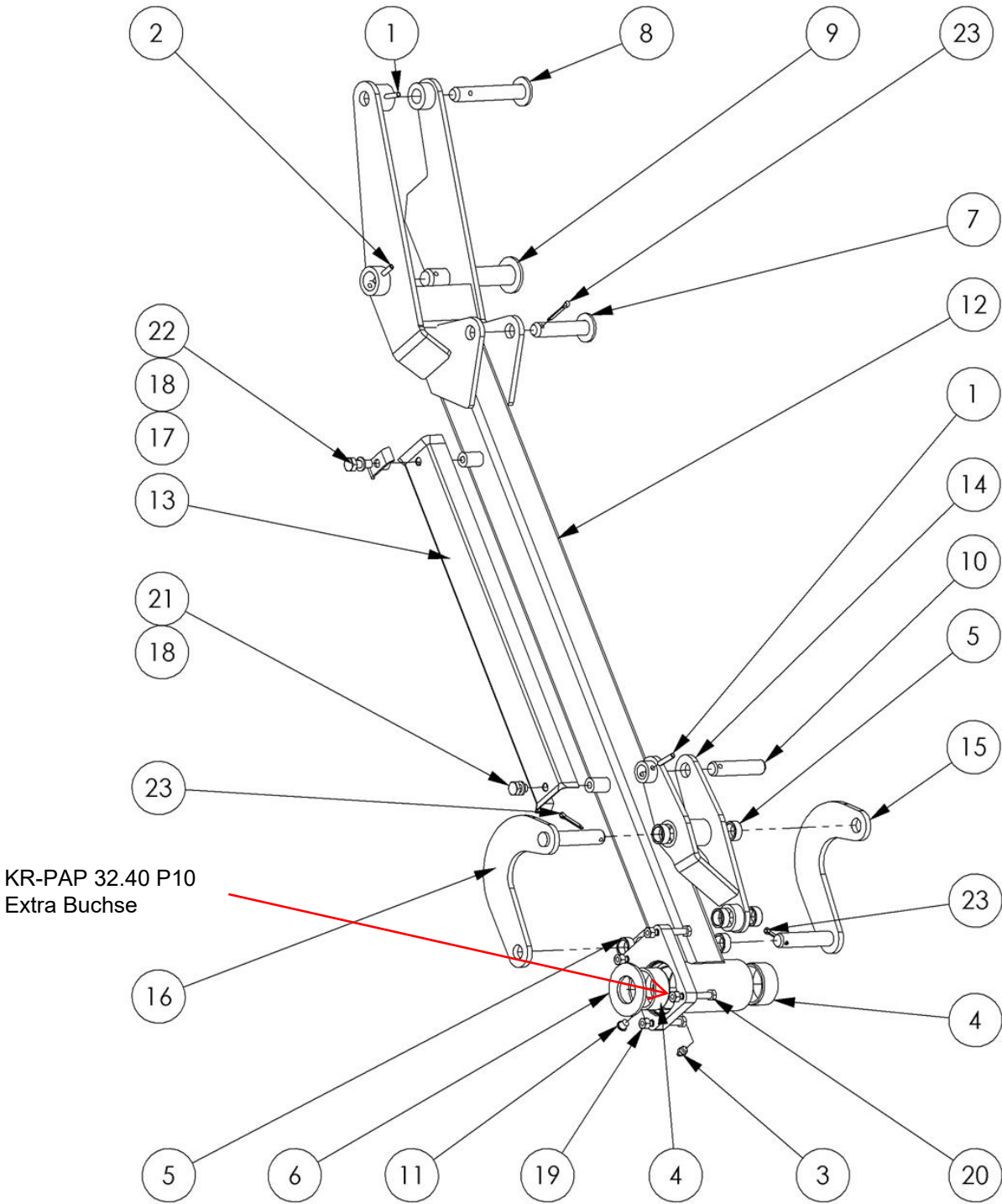
1090702 - MAIN ARM MODULE



Ref	Part No	Description	QTY
1	0100107	WASHER	1
2	0425522	PIN	1
3	0425540	PIN	1
4	0901121	GREASER	2
5	1090003	SPRING	1
6	1090040	INTERLOCK BLOCK	1
7	1090041	INTERLOCK BAR	1
8	1090043	PIN	2

Ref	Part No	Description	QTY
9	1090262	MAIN ARM WDMT	1
10	1090283	GUARD	1
11	6012032	BUSH	2
12	7012037	BUSH	4
13	7114076	CLAMP	1
14	9100205	WASHER	1
15	9163005	NUT	1
16	9213125	BOLT	1
17	9313035	SCREW	1
18	9501326	PIN	1

1090703 - DIPPER ARM MODULE



Ref	Part No	Description	QTY
1	0425630	PIN	2
2	0425640	PIN	1
3	0901121	GREASER	1
4	1090001	BEARING	2
5	1090002	BUSH	6
6	1090038	LOCATING RING	1

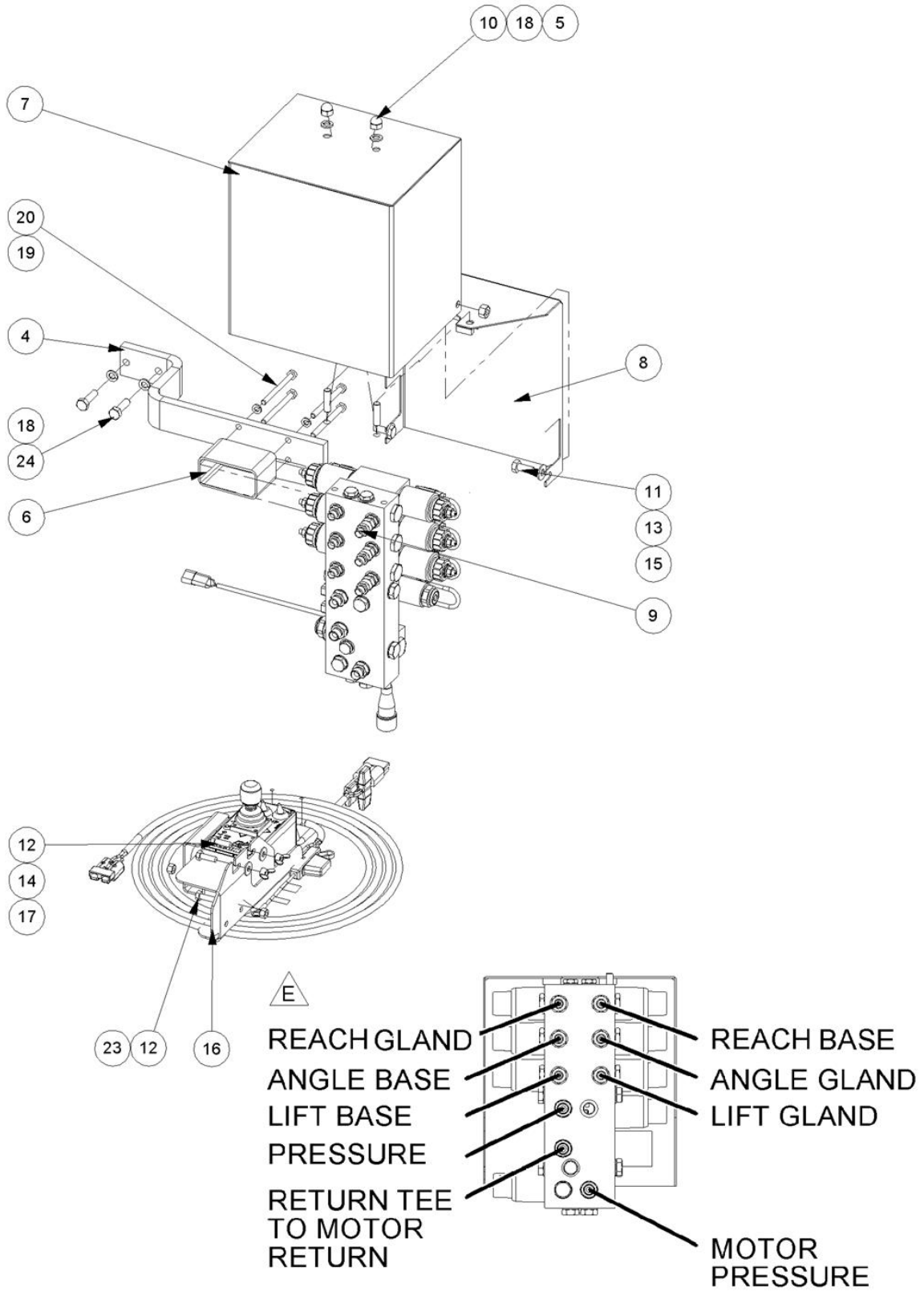
Ref	Part No	Description	QTY
7	1090043	PIN	1
8	1090046	PIN	1
9	1090047	PIN	1
10	1090048	PIN	1
11	1090103	PLUG	1
12	1090265	ARM	1
13	1090282	GUARD	1
14	1090279	SLAVE LINK	1
15	1090280	RADIUS ARM	1
16	1090281	RADIUS ARM	1
17	7114076	CLAMP	1
18	9100205	WASHER	2
19	9163004	NUT	4
20	9213104	BOLT	4
21	9313035	SCREW	1
22	9313065	SCREW	1
23	9501326	PIN	3

Anbauteil 70 x 70 Rohr aufnahme

CO-AD.MCO.006

1

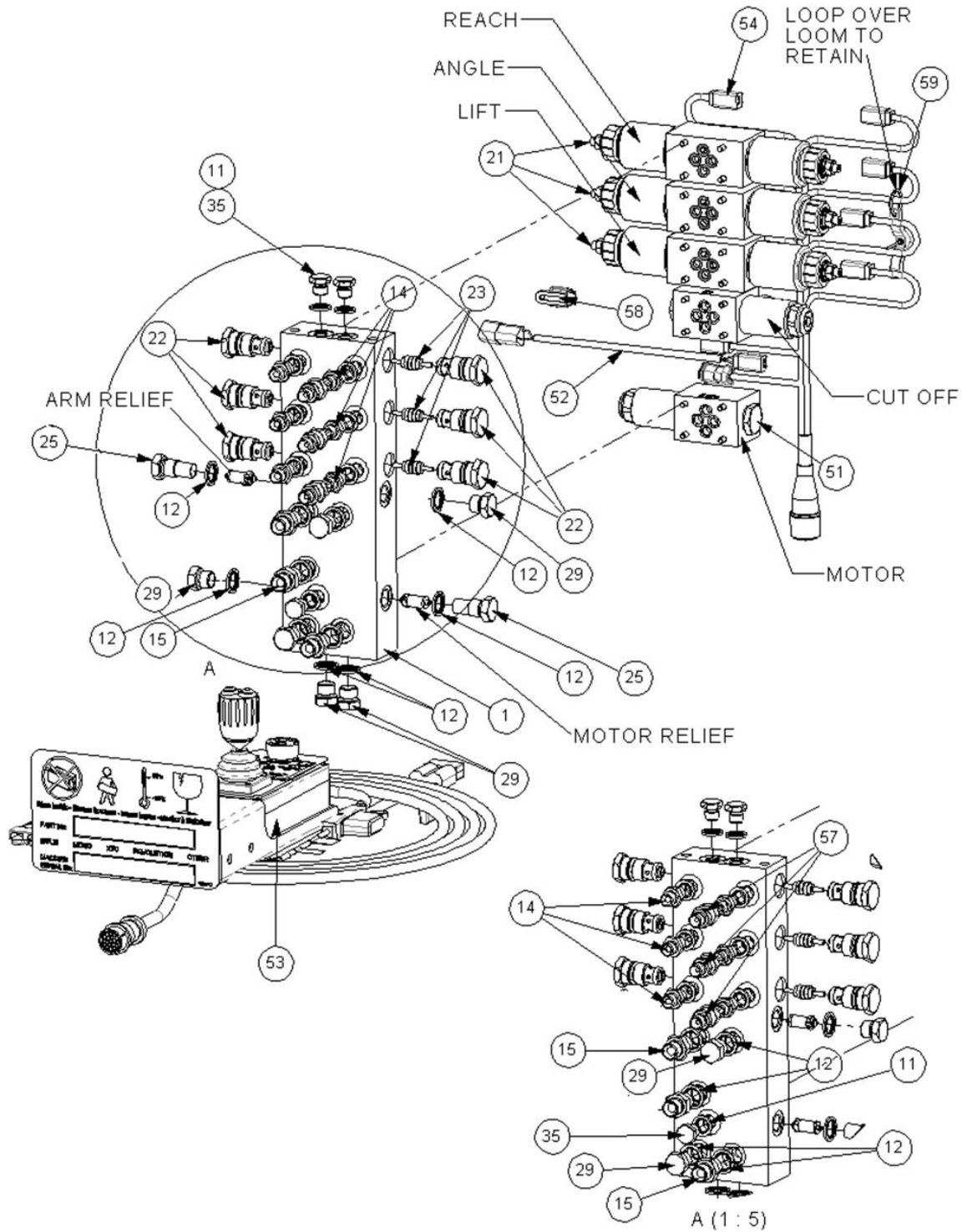
1090713 - PROP XTC CNTRL MODUL



Ref	Part No	Description	QTY
4	43087.01	FLAT	1
5	04.282.56	STUD	2

Ref	Part No	Description	QTY
6	43124.01	SPACER	1
7	43086.01	COVER	1
8	43086.03	PLATE	1
9	1090360	SOL.MANIFOLD	1
10	9100025	NUT	2
11	9313055	SCREW	2
12	9313054	SCREW	4
13	9100105	WASHER	2
14	9100104	WASHER	2
15	9163005	NUT	2
16	42491.01	PLATE	1
17	9193004	NUT	2
18	9100205	WASHER	4
19	9100204	WASHER	4
20	9213184	BOLT	4
23	9163004	NUT	2
24	9313075	SCREW	2

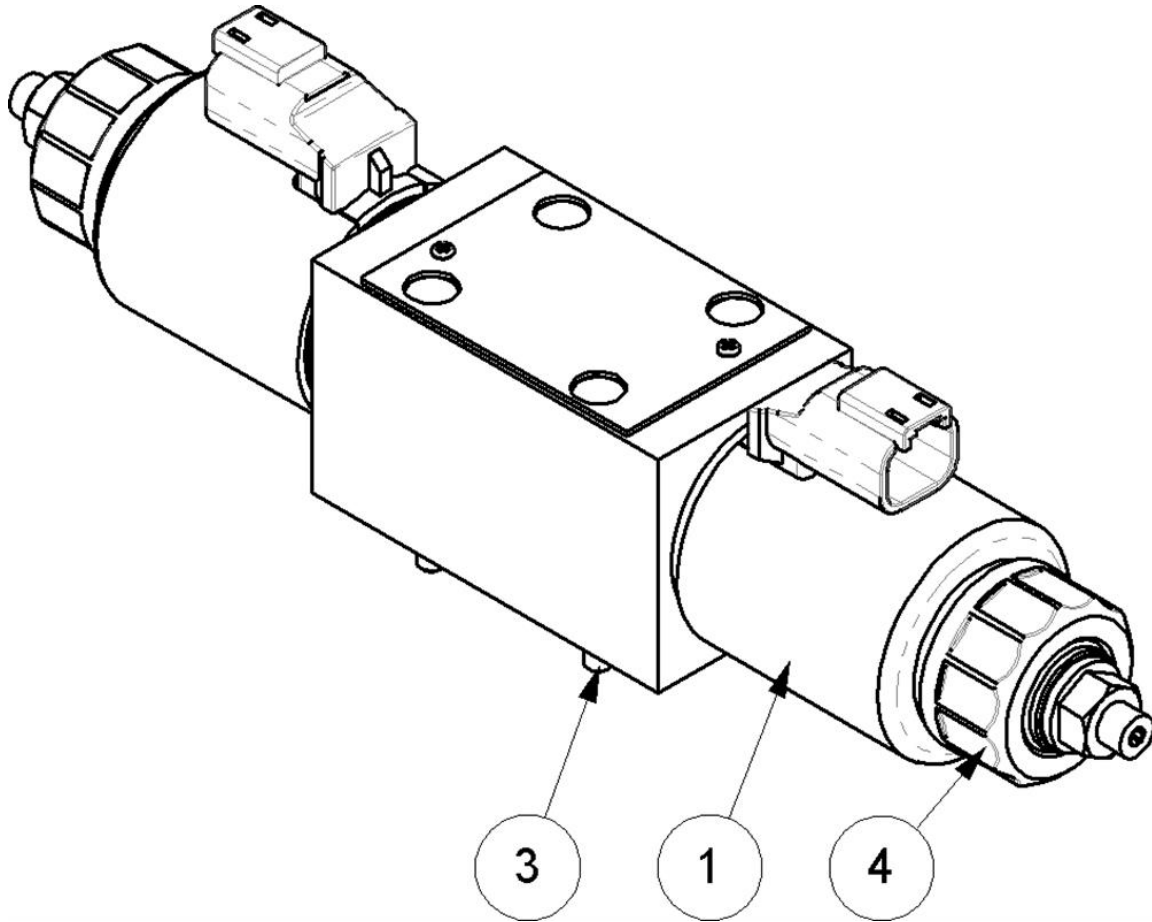
1090360 - SOL.MANIFOLD



Ref	Part No	Description	QTY
1	8132276	BLOCK	1
11	8650102	SEAL	9
12	8650103	SEAL	11
14	8130103	RESTRICTOR	6
15	6000113	ADAPTOR	4
21	23550.11	PROP DCV	3
22	23550.18	TOOL - MANUAL SOL. OPERATION	1
22	8130090	VALVE	6

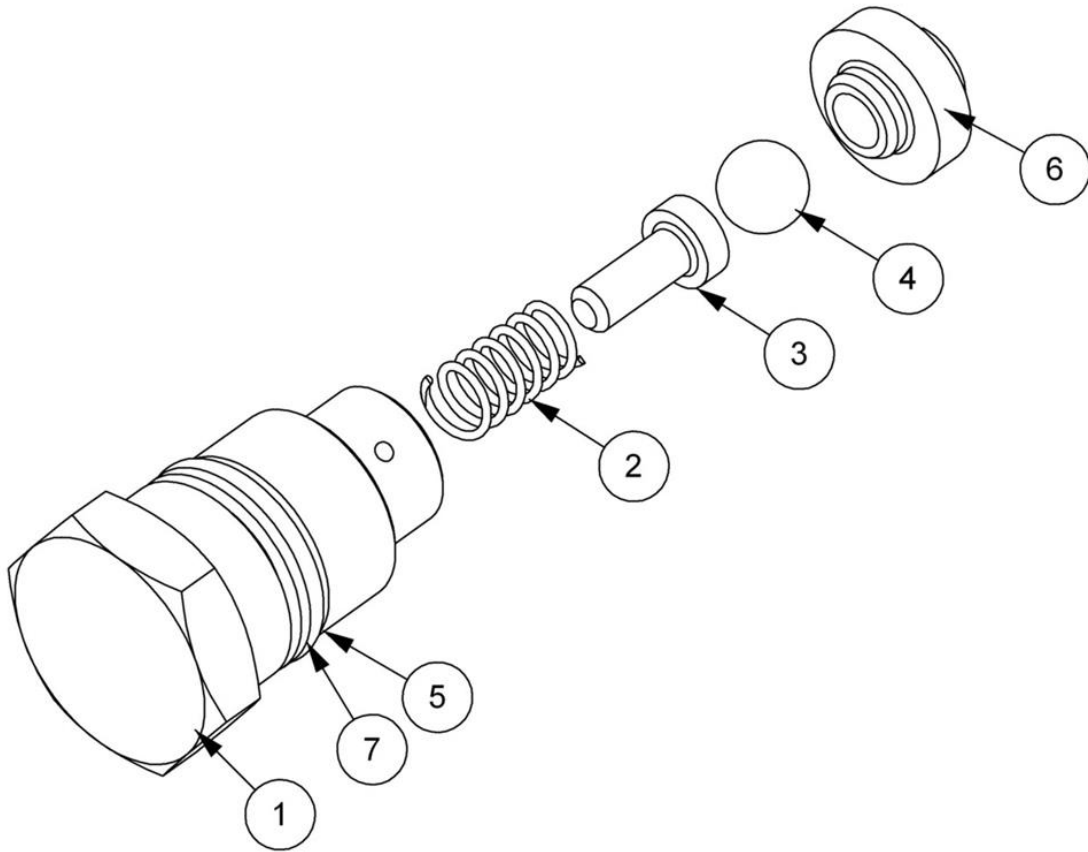
Ref	Part No	Description	QTY
23	8130087	ACTUATOR	3
25	8130032	CAP	2
29	05.433.01	ADAPTOR	6
35	520378	ADAPTOR	3
39	8130151	VALVE	2
51	23550.13	VALVE	2
52	41844.39	LOOM MOTOR CONTROL 200MM	1
53	23880.01	MINI CONTROLS COMES WITH POWER	1
54	41844.27	LOOM 14 CORE 19WAY PLUG DT	1
57	8581309	ADAPTOR	3
58	45594.41	SEALING CAP	1

23550.11 - PROP DCV



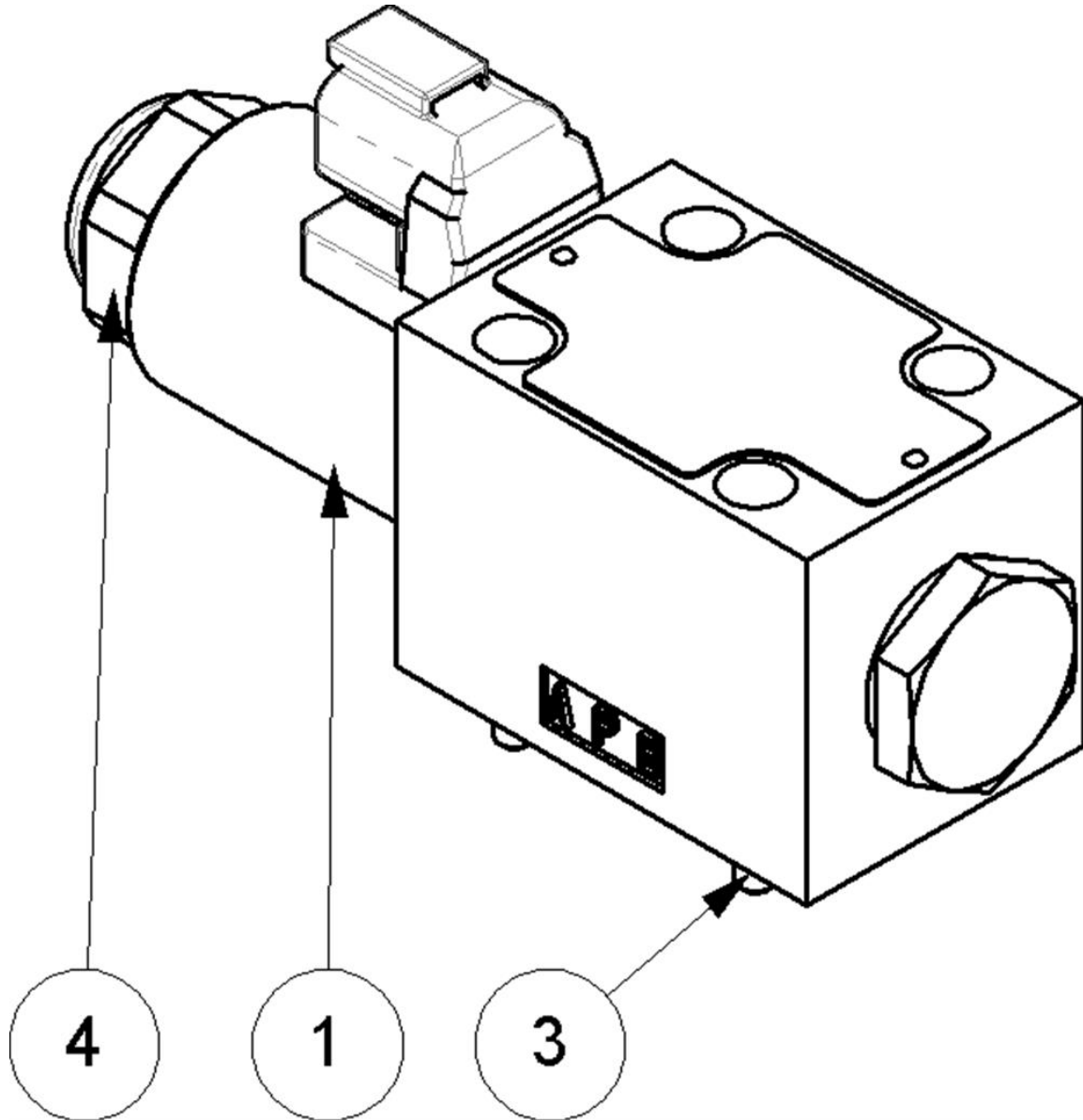
Ref	Part No	Description	QTY
1	23550.37	PROP COIL	2
2	23550.32	SEAL KIT	1
3	9200076	CAP SCREW	4
4	23550.35	COIL NUT	2

8130090 - VALVE



Ref	Part No	Description	QTY
1	8130025	CAP	1
2	8114045	SPRING	1
3	8130089	GUIDE	1
4	0905509	BALL	1
5	8700644	"O" RING	1
6	8130088	SEAT	1
7	8709644	ANTI.EXT.RING	1

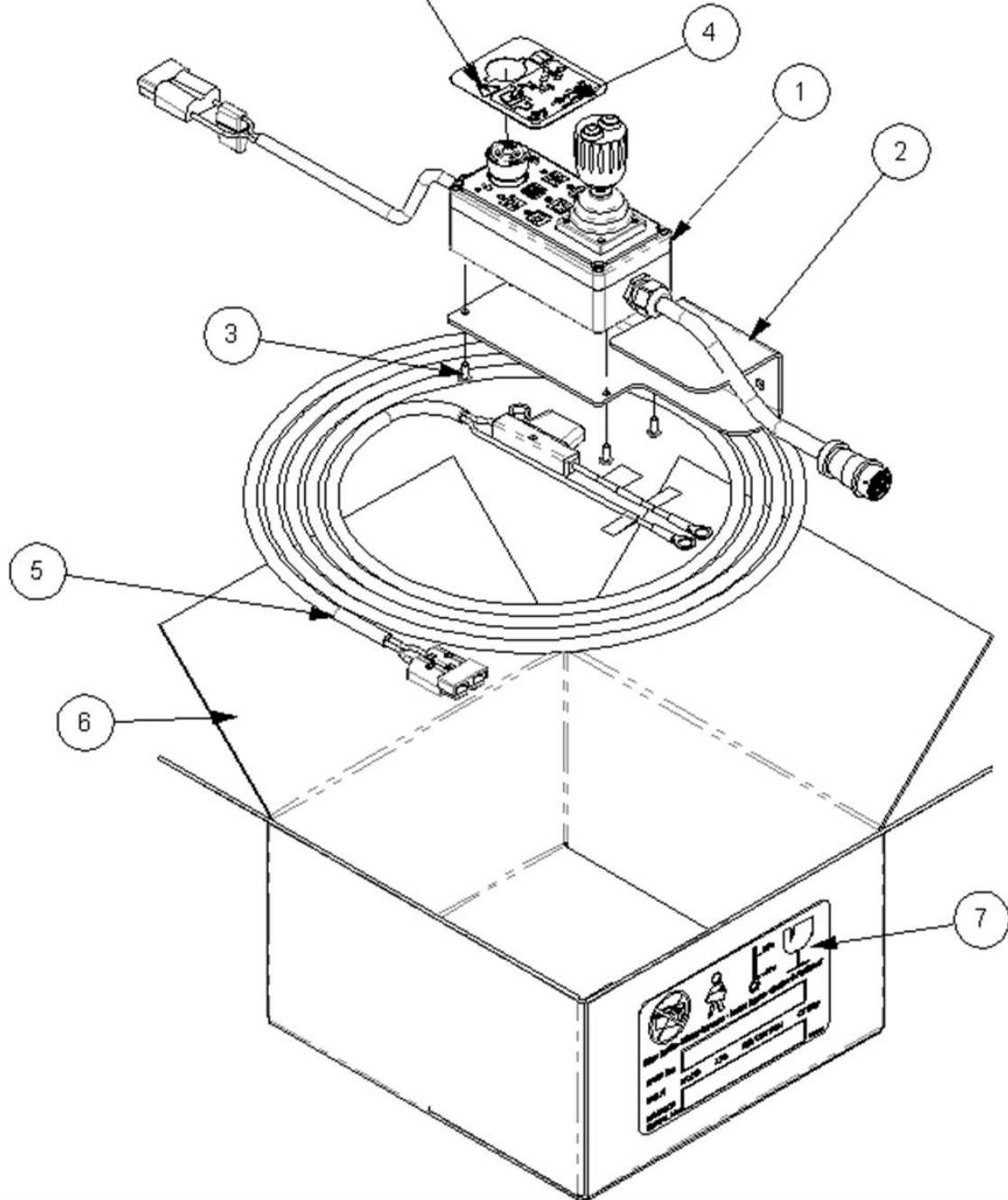
23550.13 - VALVE



Ref	Part No	Description	QTY
1	23550.38	COIL	1
2	23550.34	SEAL KIT	1
3	9200077	CAP SCREW	4
4	23550.36	COIL NUT	1

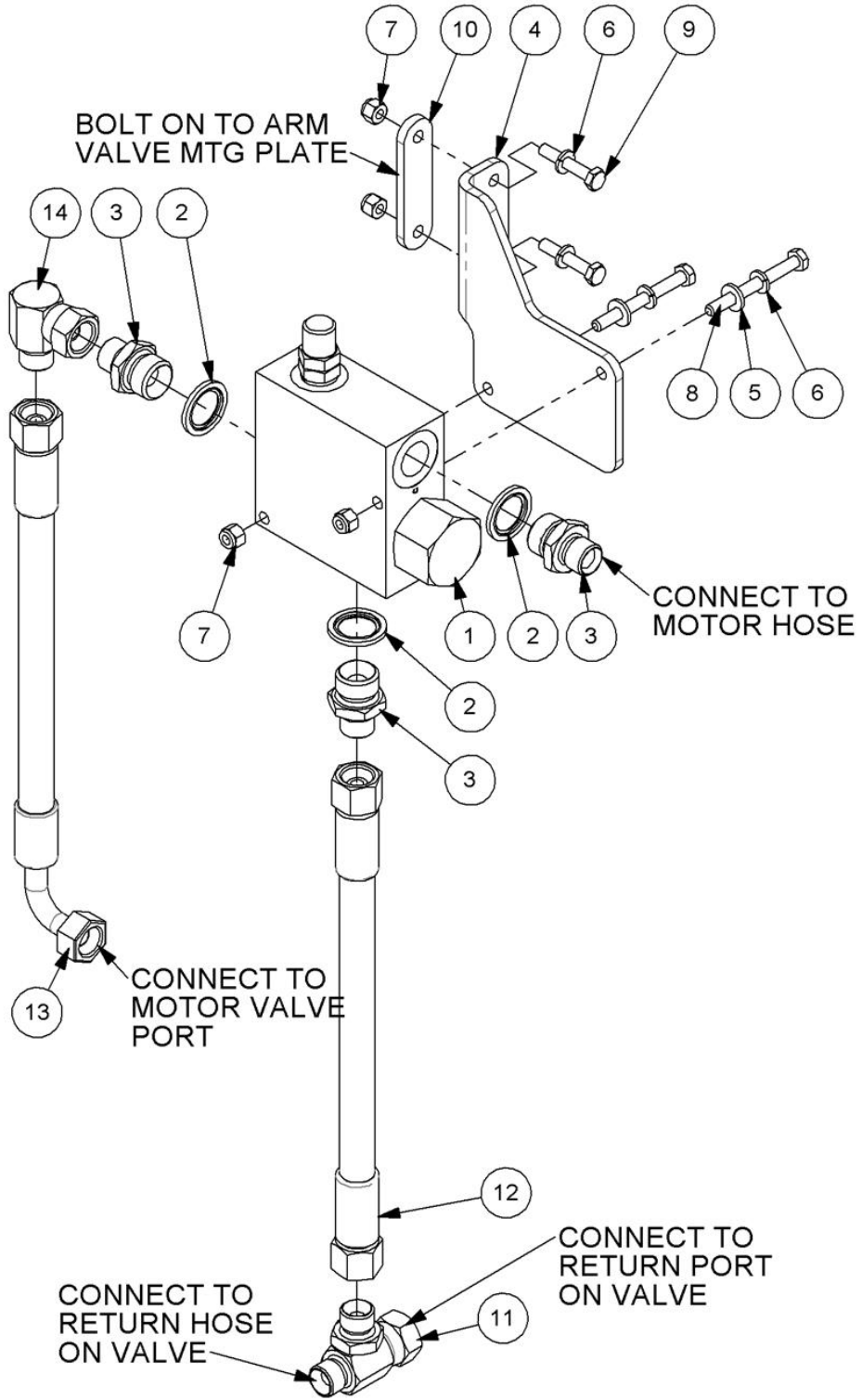
23880.01 - MINI CONTROLS COMES WITH POWER

FIT DECAL OVER E STOP



Ref	Part No	Description	QTY
1	23880.11	MINI CONTROLS	1
2	42442.04	MINI MOTION CONTROLS BRACKET	1
3	2800243	SCREW	4
4	1291169	OPERATIONAL DECAL	1
5	8402237	LOOM	1
6	8402701	BOX	1
7	1290717	DECAL	1

1090717 - S.TRIM FLOW KIT



FLOW CONTROL VALVE IS PRE-SET TO CONTROL MOTOR FLOW:

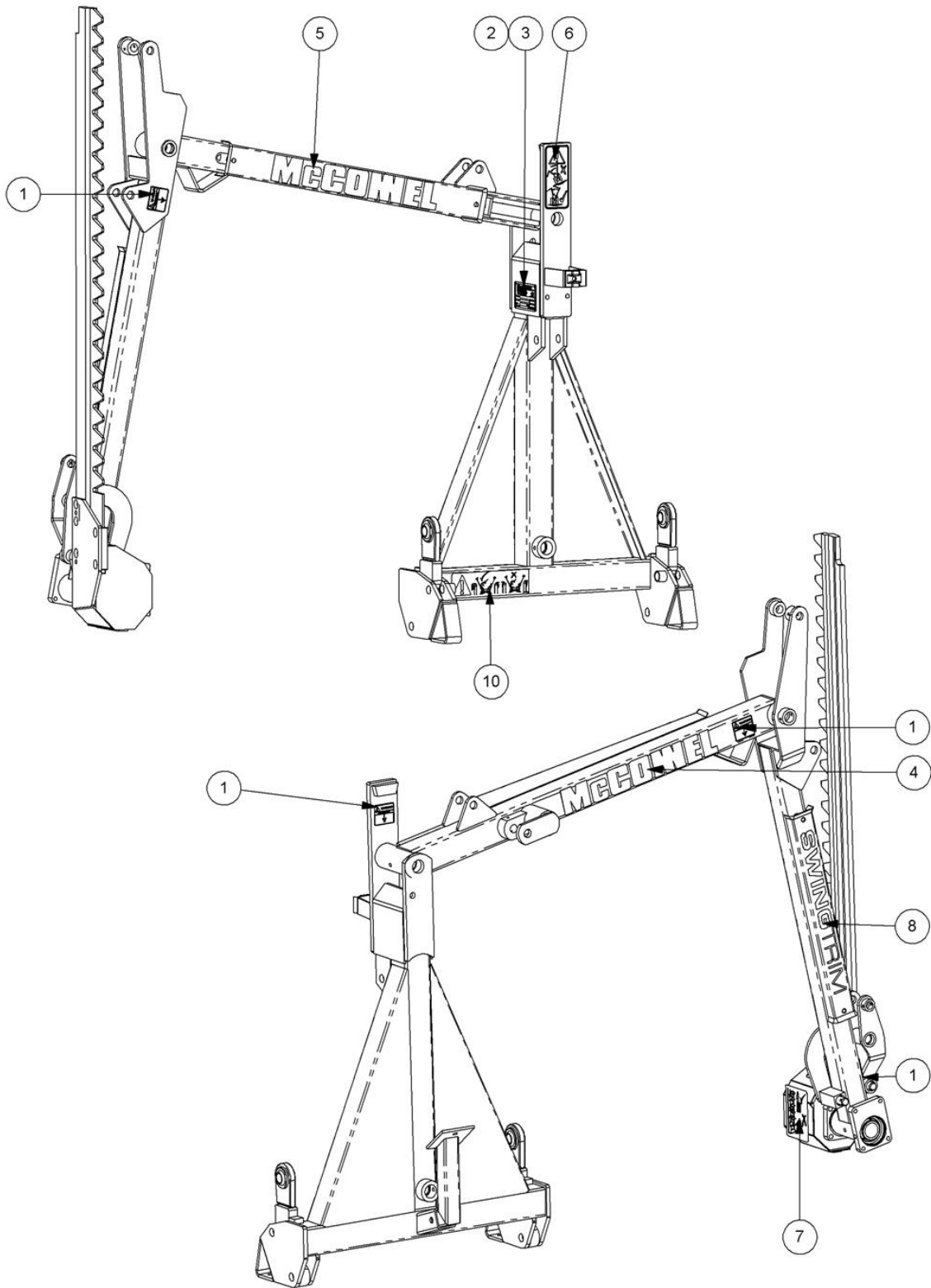
LOW FLOW MOTOR ONLY
 10.6 ±1.0 LPM OR
 2.94 US GALL/MIN

TO GIVE A CUTTER SPEED OF 1080RPM - CHECK MOTOR SPEED TO AVOID DAMAGING CUTTERBAR.
 800MIN - 1200MAX RPM

Ref	Part No	Description	QTY
-----	---------	-------------	-----

Ref	Part No	Description	QTY
1	KR-FPRF-1/2-ST-VM: 10	VALVE	1
2	8650104	SEAL	3
3	05.123.01	ADAPTOR	3
4	1090157	PLATE	1
5	9100103	WASHER	2
6	9100203	WASHER	4
7	9163003	NUT	4
8	9213123	BOLT	2
9	9213073	BOLT	2
10	1090158	PLATE	1
11	11.068.69	ADAPTOR	1
12	10.003.12	HOSE	1
13	10.004.10	HOSE	1
14	05.835.01	ADAPTOR	1

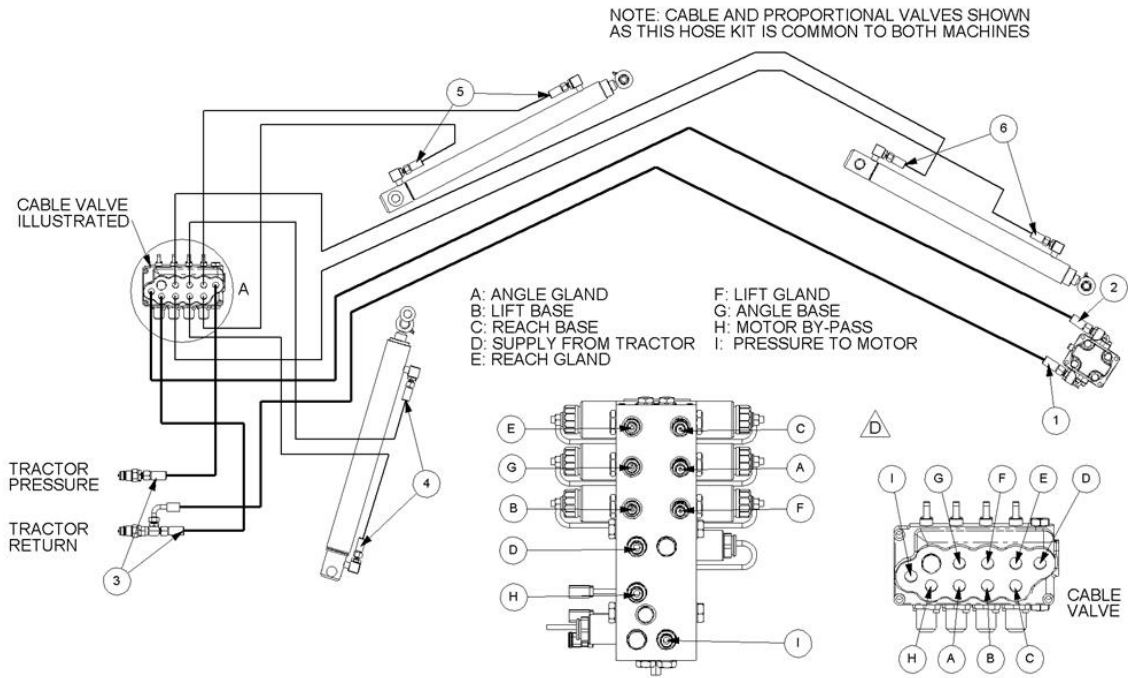
1090721 - DECAL MODULE



Ref	Part No	Description	QTY
1	02962764	DECAL	4
2	7103230	RIVET	4
3	1335246	SERIAL No. PLATE	1
4	1290614	DECAL	1
5	1290255	DECAL	1
6	1290004	DECAL	1

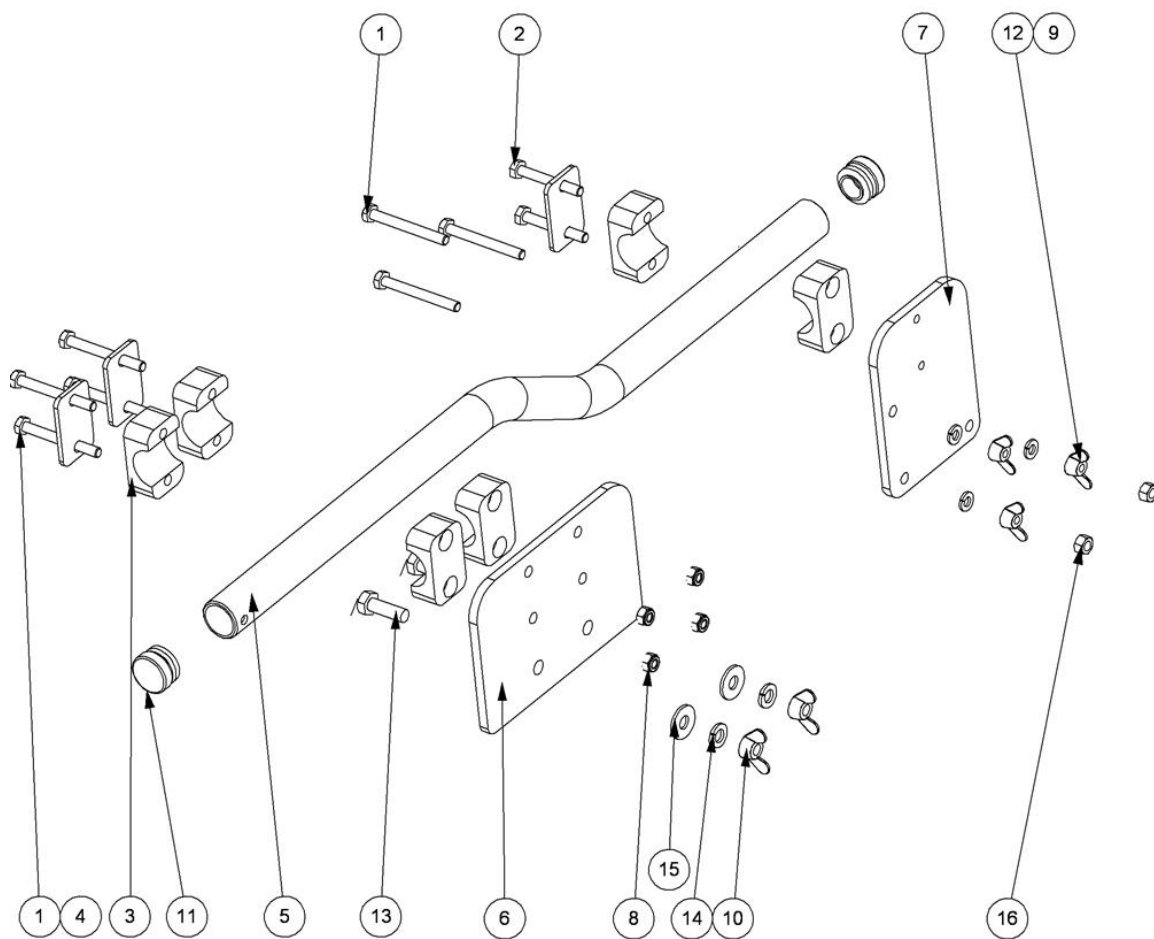
Ref	Part No	Description	QTY
7	1290078	DECAL	1
8	1290965	DECAL	1
10	7135295	DECAL	1

41.080.06 - HOSE KIT BSP



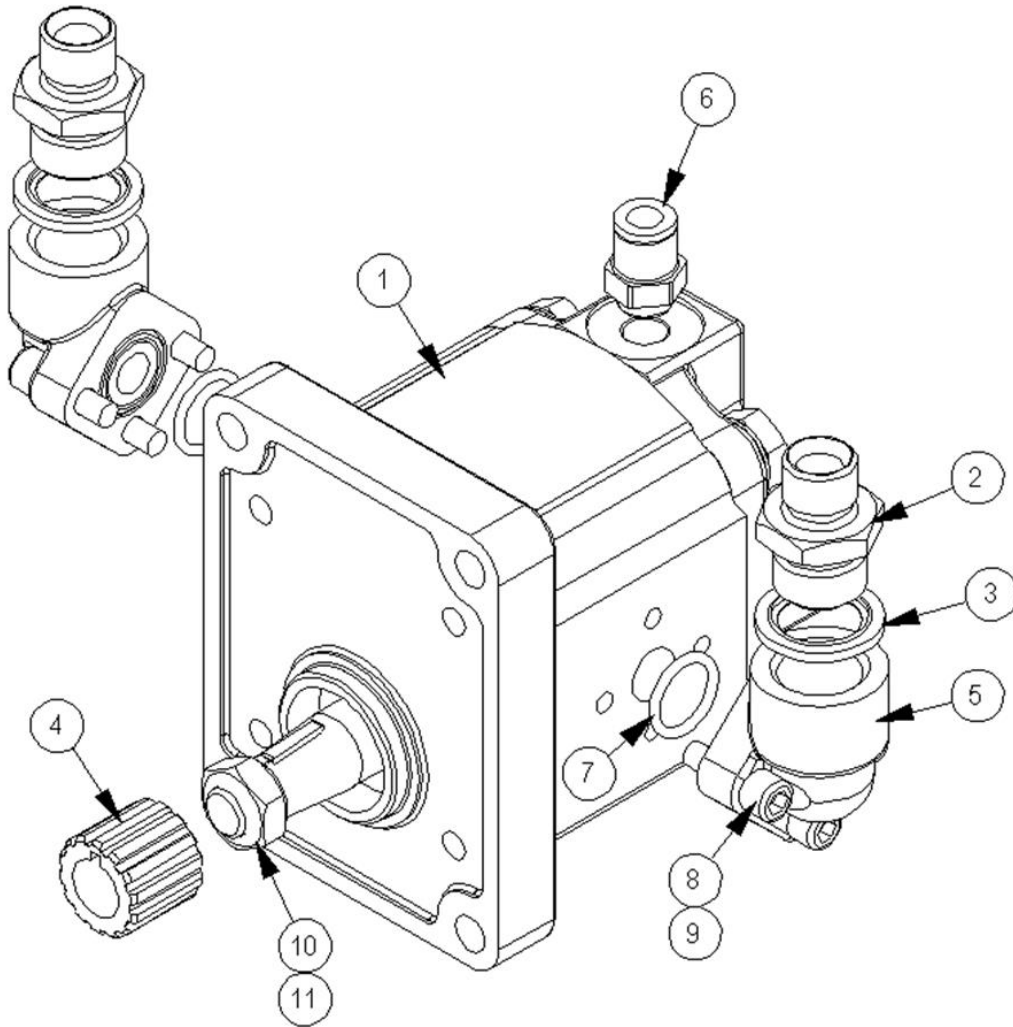
Ref	Part No	Description	QTY
1	10.004.51	HOSE	1
2	10.004.43	HOSE	1
3	10.004.19	HOSE	2
4	10.002.22	HOSE	2
5	10.002.27	HOSE	2
6	10.002.38	HOSE	2

7313275 - CAB KIT



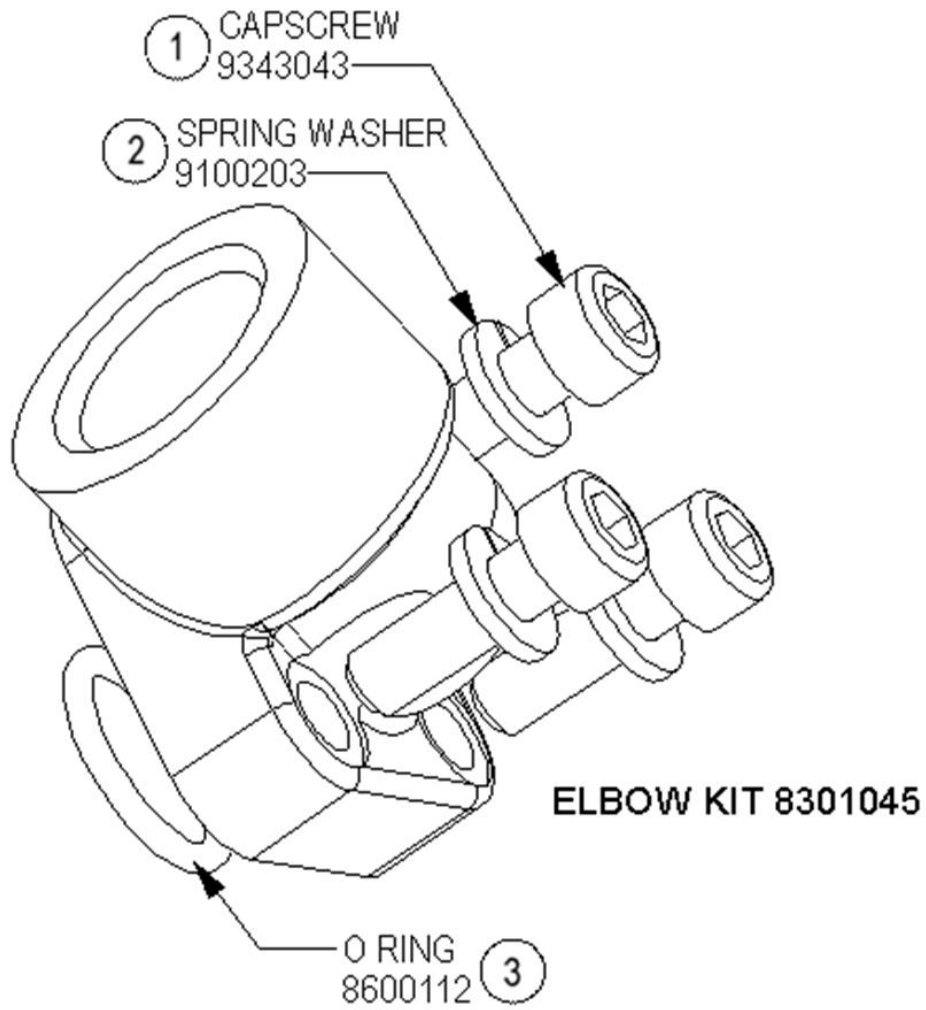
Ref	Part No	Description	QTY
1	9213113	BOLT	7
2	30.068.88	BOLT	2
3	30.209.71	CLAMP	6
4	30.209.73	PLATE	3
5	42312.02	BRACKET	1
6	08.317.01	PLATE	1
7	41.046.01	PLATE	1
8	30.070.64	NUT	6
9	9100203	WASHER	3
10	9193004	NUT	2
11	06.729.02	PLUG insert 111040	2
12	9313054	SCREW	2
13	9100204	WASHER	2
14	9100104	WASHER	2
15	05.948.37	WING NUT	3

8301266 - HYD MOTOR ASSY



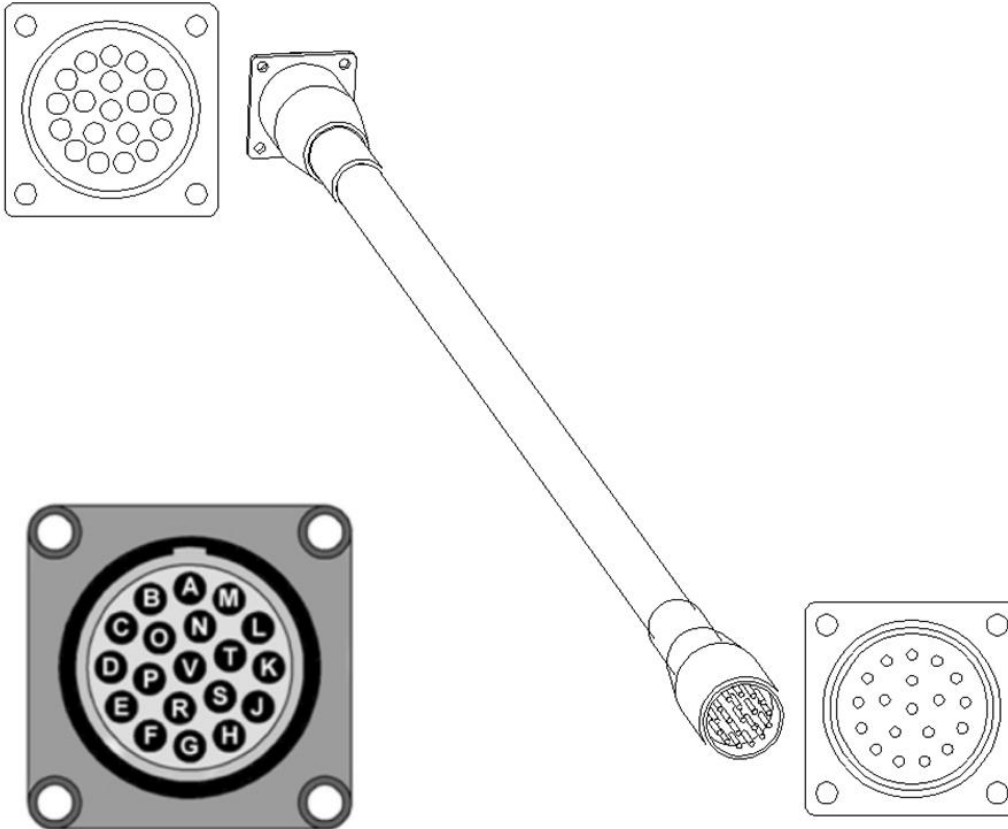
Ref	Part No	Description	QTY
1	8301288	MOTOR	1
2	6000112	ADAPTOR	2
3	8650104	SEAL	2
4	1090035	ADAPTOR	0
5	8301045	ELBOW KIT	0
6	8581330	ADAPTOR	0
7	8600809	O RING	0
8	9343043	SCREW	0
9	9100203	WASHER	0
10	8201134	WASHER	0
11	8201135	NUT	0

8301045 - ELBOW KIT



Ref	Part No	Description	QTY
1	9343043	SCREW	3
2	9100203	WASHER	3
3	8600112	O RING	1

8402361 - LOOM



CONNECTOR ID	FUNCTION	COLOUR
A	COMMON & CUT OFF	BROWN
B	REACH IN	GREY
C	REACH OUT	VIOLET
D	LIFT UP	YELLOW
E	LIFT DOWN	PINK
F	COMMON	GREEN/RED
G	TELE IN	BLACK
H	TELE OUT	GREEN
J	ANGLE DOWN	BLUE
K	ANGLE UP	WHITE
L	SLEW OUT	TORQUOISE
M	SLEW IN	ORANGE
N	COMMON	YELLOW / RED
P	ANGLE FLOAT	YELLOW / BLUE
R	FLOAT OPTION	RED / WHITE
S	PUMP 1	RED / BLACK
T	PUMP 2	RED / BROWN
U	AUTO RESET	RED / BLUE
V	CUT OFF	RED