

SR15-6

FLAT DECK MODELS

**FLEX WING MOWER
Parts Manual**

IMPORTANT

NOTE HERE THE SERIAL NUMBER OF YOUR MACHINE AND ALWAYS QUOTE IT IN ANY COMMUNICATION WITH US OR YOUR DEALER. THIS IS PARTICULARLY IMPORTANT WHEN ORDERING SPARES. REMEMBER TO INCLUDE ALL NUMBERS AND LETTERS.

MACHINE SERIAL NUMBERS _____

THE INFORMATION GIVEN THROUGHOUT THIS MANUAL IS CORRECT AT THE TIME OF PUBLICATION. HOWEVER, IN THE COURSE OF CONSTANT DEVELOPMENT OF MC CONNELL MACHINES, CHANGES IN SPECIFICATION ARE INEVITABLE. SHOULD YOU FIND THE INFORMATION GIVEN IN THIS BOOK TO BE AT VARIANCE WITH THE MACHINE IN YOUR POSSESSION, YOU ARE ADVISED TO CONTACT THE MC CONNELL SERVICE DEPARTMENT WHERE UP-TO-DATE INFORMATION WILL BE PROVIDED.

THE MANUAL CAN CONTAIN STANDARD AND OPTIONAL FEATURES AND IS NOT TO BE USED AS A MACHINE SPECIFICATION.

THE MACHINE HAS BEEN TESTED AND IS CONSIDERED SAFE IF CAREFULLY USED. ENSURE YOUR OPERATOR IS PROPERLY TRAINED IN ITS USE AND MAINTENANCE.

IMPORTANT

NOTEZ ICI LES NUMEROS DE SERIE DE VOTRE MACHINE ET MENTIONNEZ LES DANS TOUTE COMMUNICATION AVEC NOS SERVICES OU VOTRE REVENDEUR. CECI EST IMPORTANT POUR LA COMMANDE DE PIECES DETACHEES. PENSEZ A NOTER TOUS LES NUMEROS ET TOUTES LES LETTERS.

NUMEROS DE SERIE DE LA MACHINE _____

LES INFORMATIONS DONNEES DANS CE MANUEL SONT CORRECTES CEPENDANT, DU FAIT DE DEVELOPPEMENT CONSTANT DES MACHINES MC CONNELL.

CHANGEMENTS DANS LES CARACTERISTIQUES SONT INEVITABLES.

SI VOUS TROUVEZ QUE LES INFORMATIONS DONNEES NE CORRESPONDENT PAS A VOTRE MACHINE VEUILLEZ CONTACTER LE SERVICE DES REPARATIONS OU DES INFORMATIONS PLUS RECENTES VOUS SERONT DONNEES.

CE MANUEL PEUT MONTRER DES CARACTERISTIQUES OPTIONNELLES ET NE PEUT PAS ETRE CONSIDERE COMME SPECIFICATION DE LA MACHINE.

CETTE MACHINE A ETE TESTEE, ET ELLE EST CONSIDEREE COMME FIABLE A CONDITION D'UNE BONNE UTILISATION. ASSUREZ-VOUS QUE VOTRE OPERATEUR EST QUALIFIE EN CE QUI CONCERNE L'UTILISATION DE LA MACHINE AINSI QUE SON ENTRETIEN.

WICHTIG

TRAGEN SIE HIER DIE SERIENNUMMERN IHRER MASCHINE EIN UND GEBEN SIE DIESE IMMER AN, WENN SIE SICH AN UNS ODER IHREN HÄNDLER WENDEN. DAS IST BESONDERS BEI ERSATZTEILBESTELLUNGEN WICHTIG. VERGESSEN SIE NICHT, ALLE ZAHLEN UND BUCHSTABEN ZU NOTIEREN.

SERIENNUMMERN DER MASCHINE _____

DIE ANGABEN IN DIESEM HANDBUCH SIND BEI VERÖFFENTLICHUNG KORREKT. AUFGRUND DER KONSTANTEN WEITERENTWICKLUNG VON MC CONNELL MASCHINEN SIND JEDOCHÄNDERUGDEN IN DER SPEZIFIKATION UNVERMEIDLICH. WENN DIE INFORMATION IN DIESEM HANDBUCH NICHT MIT IHRER MASCHINE ÜBEREINSTIMMEN, NEHMEN SIE BITTE KONTAKT MIT DER BOMFORD TURNER KUNDENDIENSTABTEILUNG AUF, DIE IHNEN GERNE DIE AKTUELLEN INFORMATION ZUKOMMEN LÄSST.

DAS HANDBUCH KANN SOWOHL BESCHREIBUNGEN FÜR DIE STANDARD AUSFÜHRUNG ALS AUCH FÜR ZUBEHÖR ENTHALTEN UND IST NICHT ALS MASCHINENSPEZIFIKATION ZU VERWENDET.

DIE MASCHINE IST GETESTET UND BEI SACHGEMÄSSEM BETRIEB ALS SICHER BEFUNDEN WORDEN. SORGEN SIE DAFÜR, DASS IHR BEDIENPERSONAL IN ANWENDUNG UND WARTUNG RICHTIG GESCHULT WIRD.

SR15 MOWERS

PAGE ILLUSTRATION NUMBERS SHOWN ARE USED ONLY FOR REFERENCE PURPOSES
AND SHOULD NOT BE USED FOR ORDERING SPARE PARTS.
PLEASE ENSURE THE CORRECT PART NUMBER AND DESCRIPTION IS GIVEN WHEN
ORDERING SPARE PARTS.

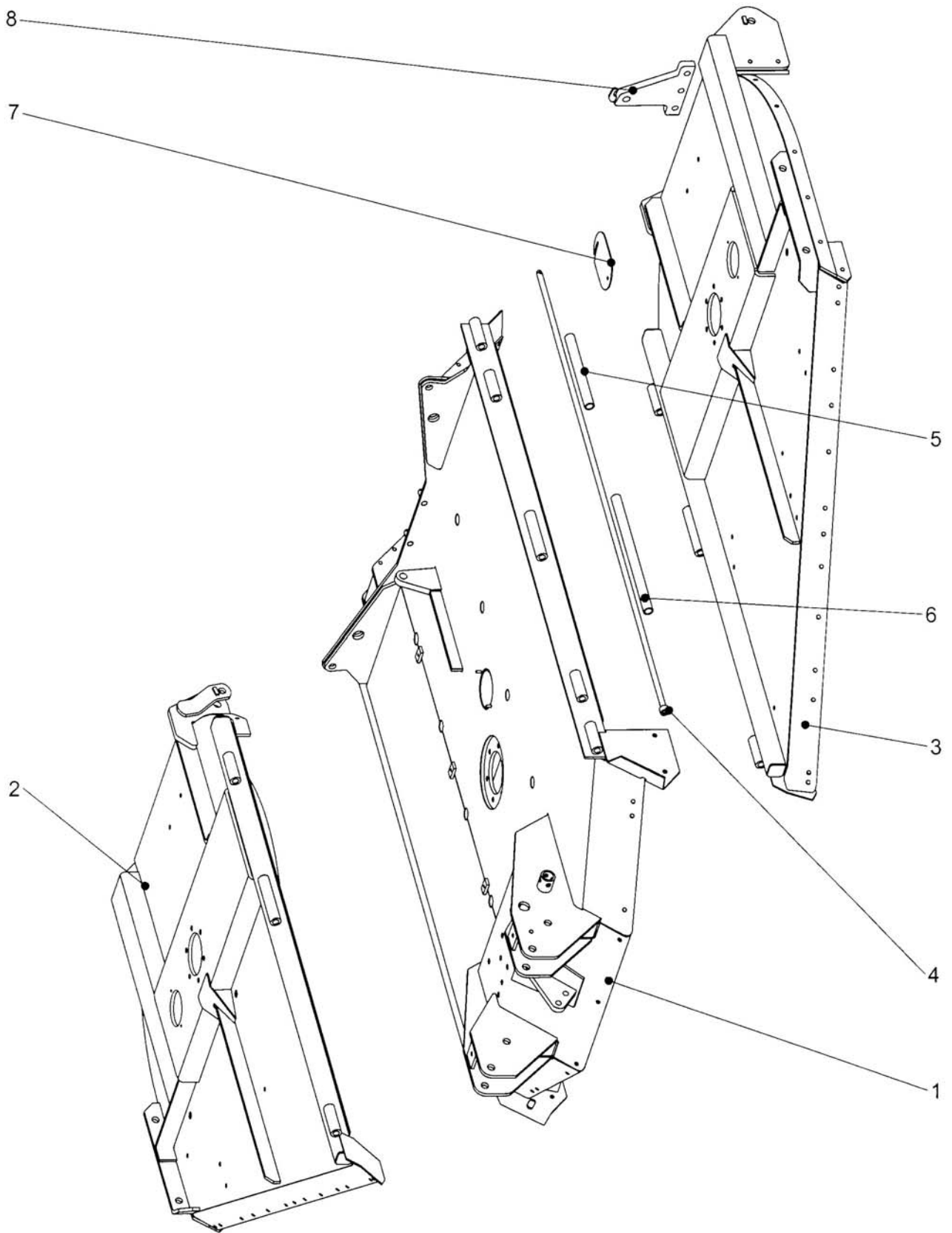
PAGE NO	DESCRIPTION
2 – 1 TO 2 – 2	CENTRE DECK & WING ASSEMBLIES
3 – 1 TO 3 – 2	CHAINGUARDS
4 – 1 TO 4 – 4	BAFFLE ASSEMBLIES
5 – 1 TO 5 – 2	SIDE SKIRTS & SKIDS
6 – 1 TO 6 – 2	DRIVELINE GUARDS
7 – 1 TO 7 – 4	HITCH AND LEVELLING ASSEMBLY
8 – 1 TO 8 – 2	GEARBOXES AND DRIVESHAFTS
9 – 1 TO 9 – 2	HYDRAULIC RAM ASSEMBLIES
10 – 1 TO 10 – 2	HYDRAULIC FITTINGS & HOSES
11 – 1 TO 11 – 3	WHEELS, HUBS & AXLES
12 – 1 TO 12 – 4	BLADE ASSEMBLIES
13 – 1 TO 13 – 2	ROAD LIGHTING KIT
14 – 1	SAFETY DECALS

IMPORTANT

THIS MACHINE IS FOR VEGETATION CONTROL AND MUST NOT BE USED FOR ANY OTHER
PURPOSE.

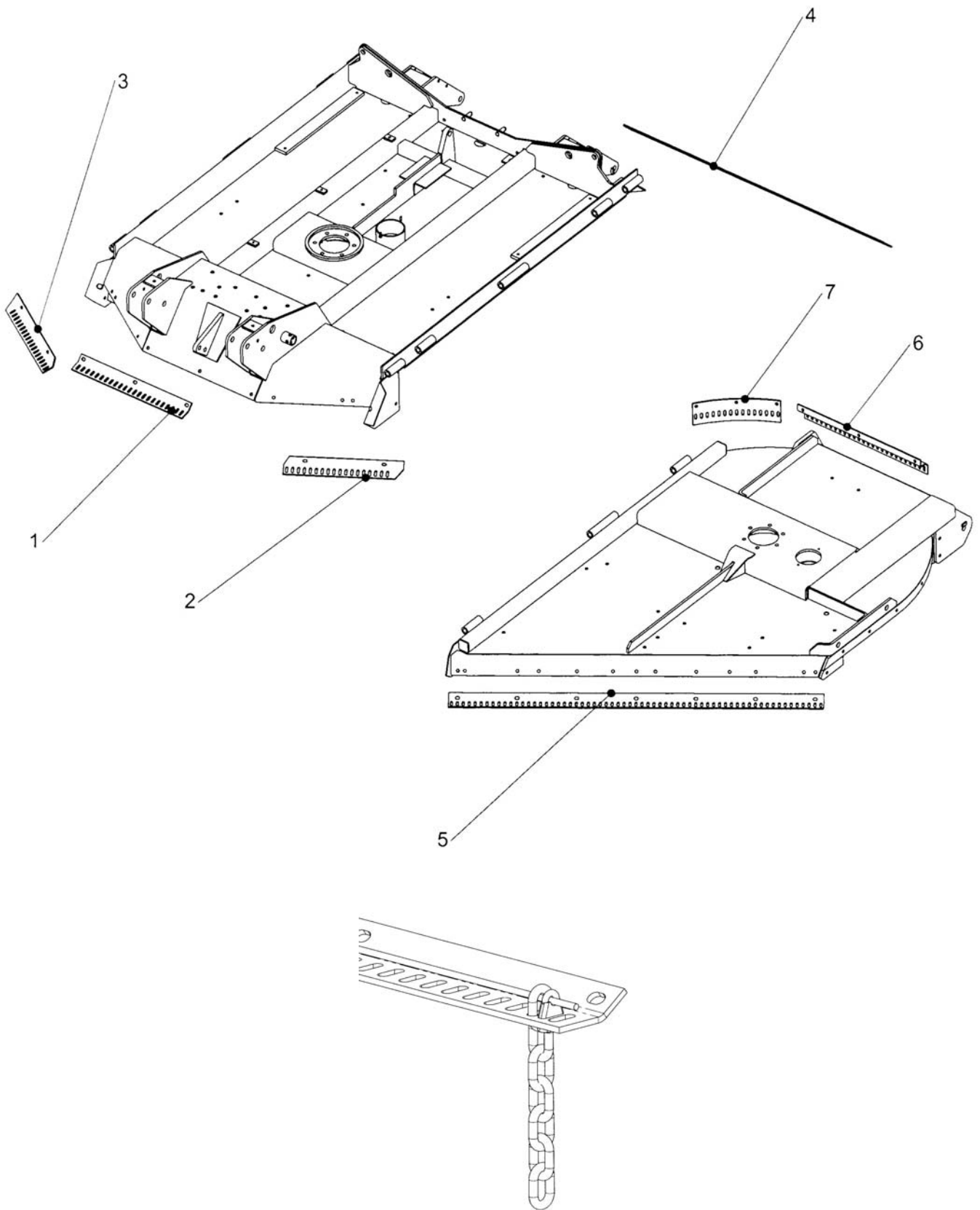
IT IS POTENTIALLY HAZARDOUS TO FIT OR USE ANY PARTS OTHER THAN GENUINE
MC CONNELL PARTS.

THE COMPANY DISCLAIMS ALL LIABILITY FOR THE CONSEQUENCES OF SUCH USE
WHICH, IN ADDITION, VOIDS THE MACHINE WARRANTY.



REF	PART NO	DESCRIPTION	QTY
77.500.10	MAINFRAME AND WINGS		
01	46992.01	CENTRE DECK	1
02	46992.02	RH WING	1
03	46992.05	LH WING	1
04	45221.01	PIN – WING HINGE	2
04	05.264.03	SETSCREW M8 X 30MM	2
04	05.281.01	FLAT WASHER M8	2
04	05.287.01	SELF LOCKING NUT M8	2
05	45257.01	SPACER HINGE SHORT	2
06	45257.02	SPACER HINGE LONG	2
07	46774.88	COVER PLATE	3
07	03.100.01	STUD M10 X 34MM (WING COVER PLATES)	4
07	05.287.02	SELF LOCKING NUT M10	6
08	46992.11	LIFTING PLATE	2
08	05.281.05	FLAT WASHER 20MM	6
08	05.291.45	BOLT M20 X 70MM	6
09	45956.01	TENSIONER STRAP <i>N/I</i>	2

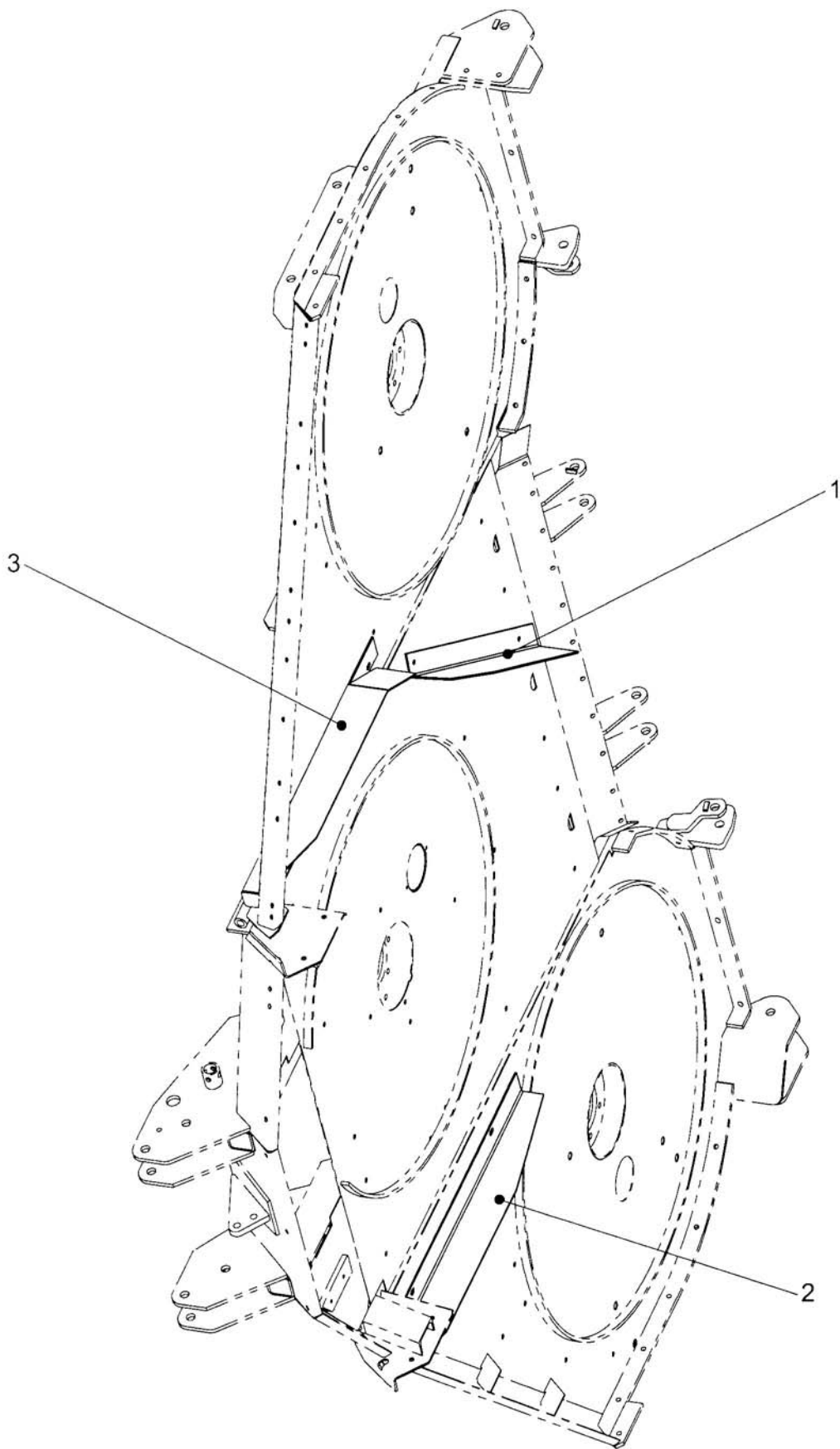
N/I = NOT ILLUSTRATED



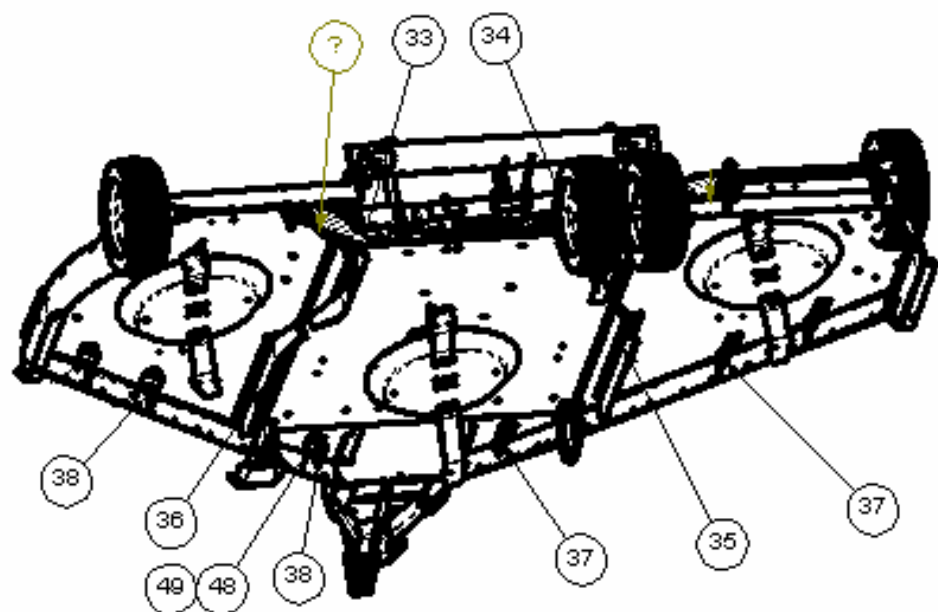
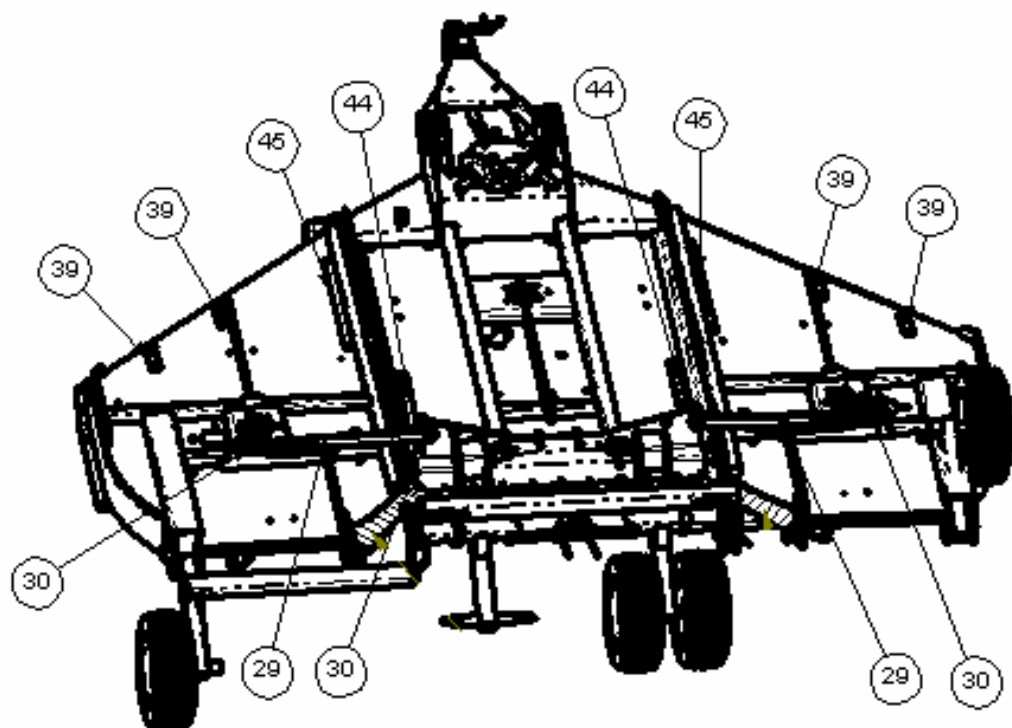
Chain Retention (After March 2006)

REF	PART NO	DESCRIPTION	QTY
77.500.12		CHAIN GUARDS - CENTRE AND WINGS	
01	45162.32	CHAIN GUARD CENTRE DECK FRONT	1
01	47057.14	RETENTION BAR 616 LG	1
01	46943.21	CHAIN ASSEMBLY	23
01	46192.01▶	PUSH ON RETAINER	2
01	6770907◀	U BOLT	2
01	9143003◀	NUT M 6 COARSE	4
01	05.264.23	SETSCREW M12 X 30MM	3
01	05.281.03	FLAT WASHER M12	3
01	05.287.03	SELF LOCKING NUT M12	3
02	45173.06	CHAIN GUARD CENTRE DECK FRONT LH	1
02	47057.14	RETENTION BAR 616 LG	1
02	46943.21	CHAIN ASSEMBLY	18
02	46192.01▶	PUSH ON RETAINER	2
02	6770907◀	U BOLT	2
02	9143003◀	NUT M 6 COARSE	4
02	05.264.23	SETSCREW M12 X 30MM	2
02	05.281.03	FLAT WASHER M12	2
02	05.287.03	SELF LOCKING NUT M12	2
03	45173.03	CHAIN GUARD CENTRE DECK FRONT RH	1
03	47057.14	RETENTION BAR 616 LG	1
03	46943.21	CHAIN ASSEMBLY	18
03	46192.01▶	PUSH ON RETAINER	2
03	6770907◀	U BOLT	2
03	9143003◀	NUT M 6 COARSE	4
03	05.264.23	SETSCREW M12 X 30MM	2
03	05.281.03	FLAT WASHER M12	2
03	05.287.03	SELF LOCKING NUT M12	2
04	45162.33	CHAIN GUARD CENTRE DECK REAR	1
04	47057.11	RETENTION BAR 1574 LG	1
04	46943.21	CHAIN ASSEMBLY	55
04	46192.01▶	PUSH ON RETAINER	2
04	6770907◀	U BOLT	2
04	9143003◀	NUT M 6 COARSE	4
04	05.264.23	SETSCREW M12 X 30MM	6
04	05.281.03	FLAT WASHER M12	6
04	05.287.03	SELF LOCKING NUT M12	6
05	45162.31	CHAIN GUARD WING FRONT	2
05	47057.10	RETENTION BAR 1800 LG	2
05	46943.21	CHAIN ASSEMBLY	126
05	46192.01▶	PUSH ON RETAINER	4
05	6770907◀	U BOLT	2
05	9143003◀	NUT M 6 COARSE	4
05	05.264.23	SETSCREW M12 X 30MM	14
05	05.281.03	FLAT WASHER M12	14
05	05.287.03	SELF LOCKING NUT M12	14
06	45173.01	CHAIN GUARD WING REAR	2
06	47057.12	RETENTION BAR 752 LG	2
06	46943.21	CHAIN ASSEMBLY	52
06	46192.01▶	PUSH ON RETAINER	4
06	6770907◀	U BOLT	2
06	9143003◀	NUT M 6 COARSE	4
06	05.264.25	SETSCREW M12 X 40MM	6
06	05.281.03	FLAT WASHER M12	6
06	05.287.03	SELF LOCKING NUT M12	6
07	45173.04	CHAIN GUARD WING REAR CENTRE	2
07	47057.13	RETENTION BAR 672 LG	2
07	46943.21	CHAIN ASSEMBLY	30
07	46192.01▶	PUSH ON RETAINER	4
07	6770907◀	U BOLT	2
07	9143003◀	NUT M 6 COARSE	4
07	45176.01	SPACER	6
07	05.292.22	BOLT M12 X 90MM	6
07	05.287.03	SELF LOCKING NUT M12	6

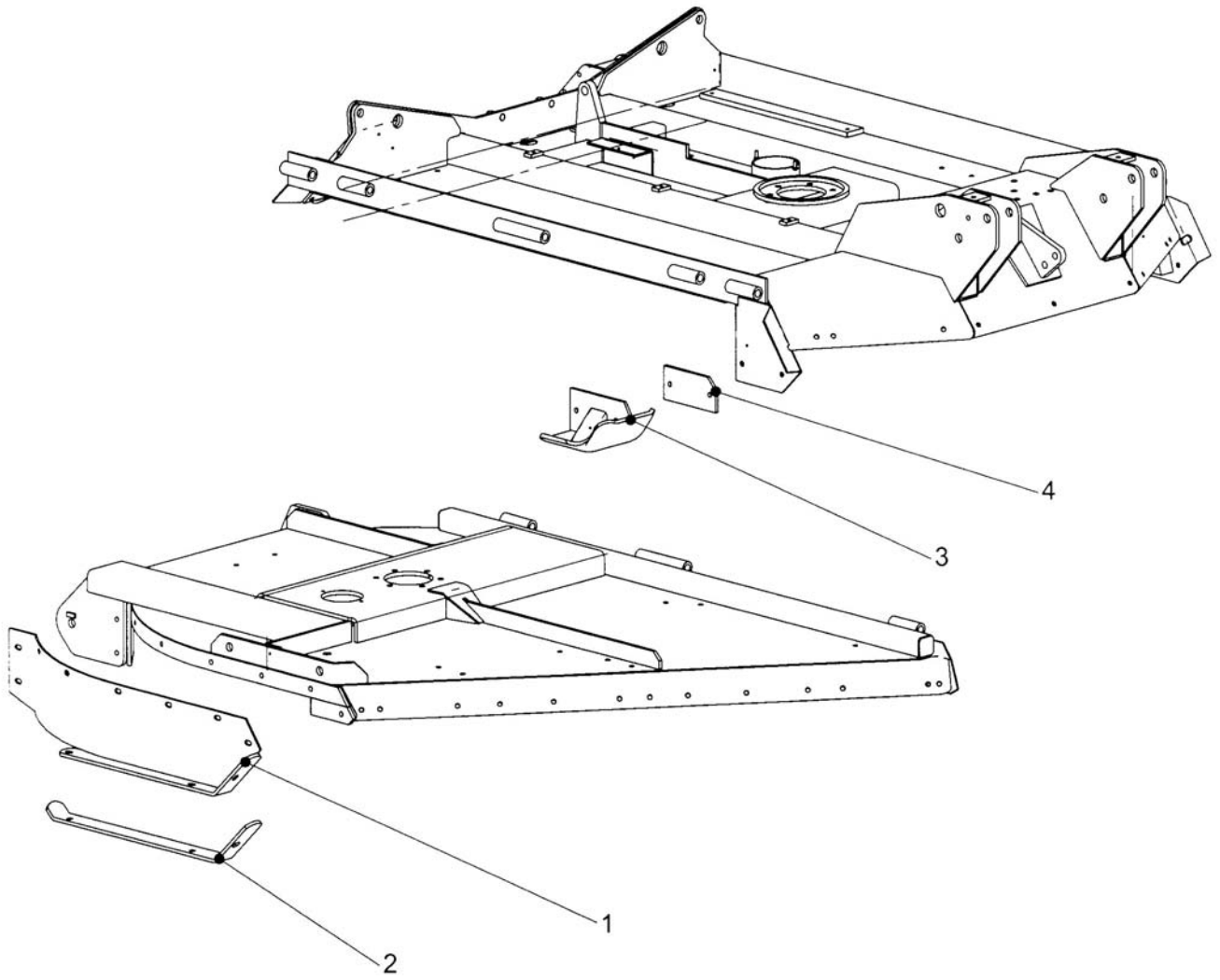
▶ Up to February 2006 ◀ From March 2006



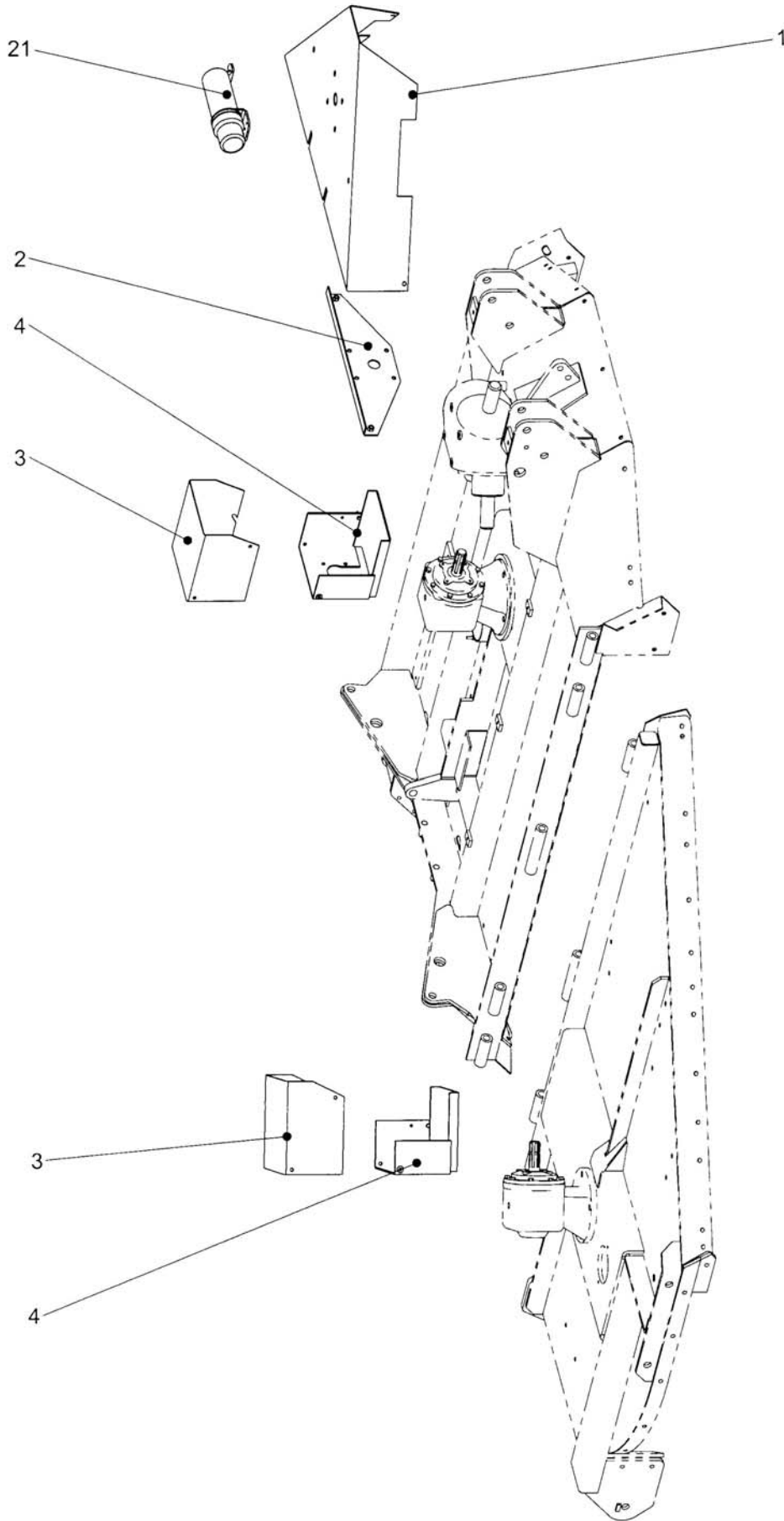
REF	PART NO	DESCRIPTION	QTY
1048523	BAFFLES - CENTRE AND WINGS		
01	45315.06	CENTRE BAFFLE	1
01	05.264.23	SETSCREW M12 X 30MM	2
01	05.281.03	FLAT WASHER 12MM	4
01	05.287.03	SELF LOCKING NUT M12	2
02	45315.05	RH BAFFLE	1
02	05.264.23	SETSCREW M12 X 30MM	2
02	05.281.03	FLAT WASHER 12MM	4
02	05.287.03	SELF LOCKING NUT M12	2
03	45315.02	LH BAFFLE	1
03	05.264.23	SETSCREW M12 X 30MM	2
03	05.281.03	FLAT WASHER 12MM	4
03	05.287.03	SELF LOCKING NUT M12	2



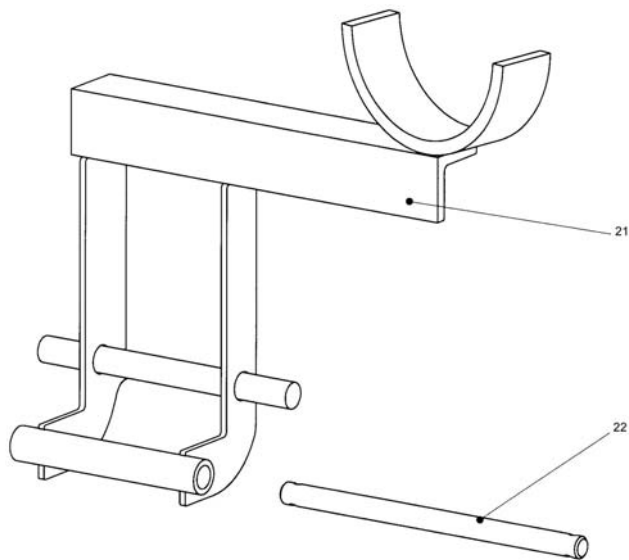
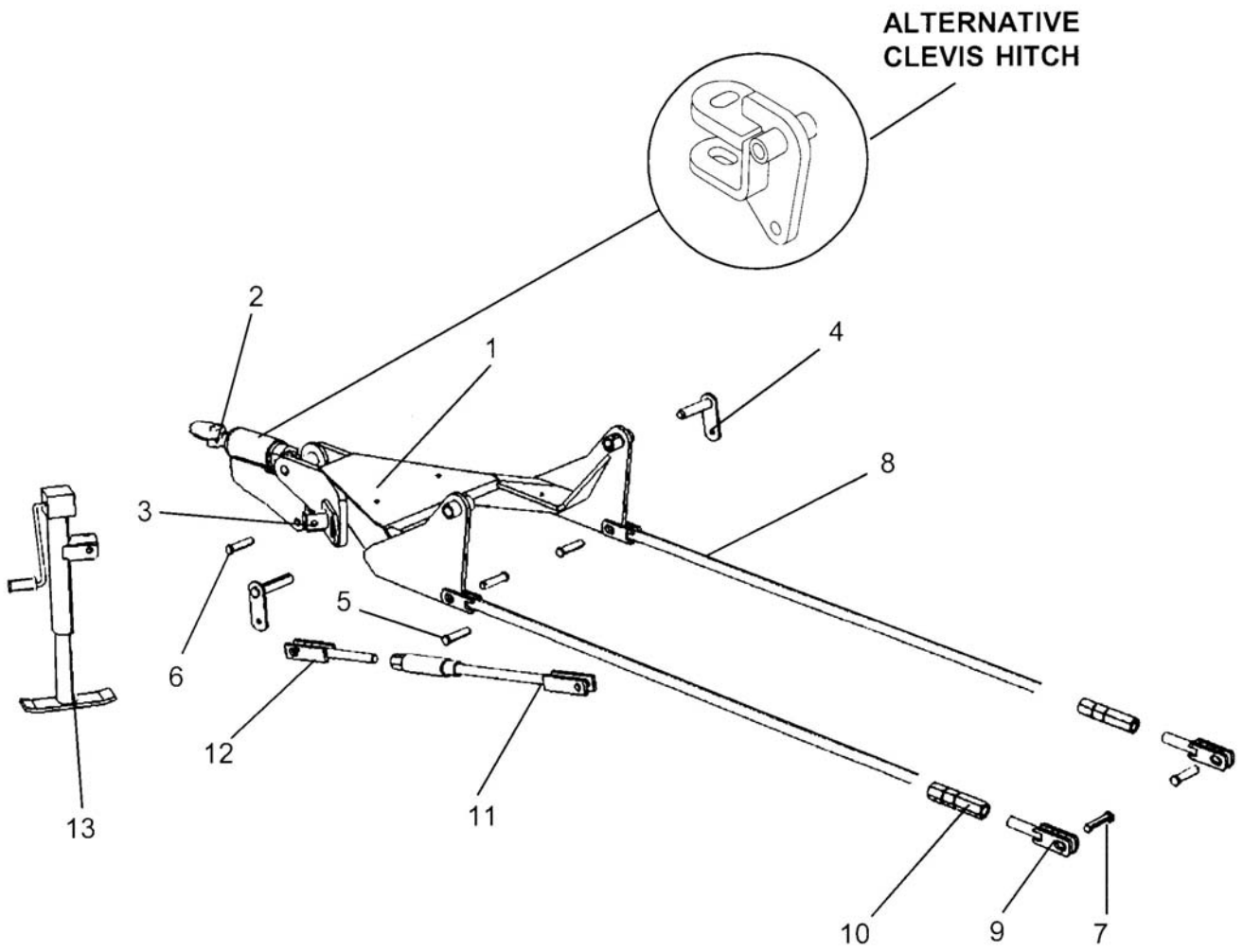
REF	PART NO	DESCRIPTION	QTY
1048524	BAFFLE KIT		
29	309941	RAM LIMITER BAR	2
30	309943	RAM PIN	4
31	309804	DEFLECTOR RH	1
32	309805	DEFLECTOR LH	1
33	309801	BAFFLE	1
34	309799	BAFFLE	1
35	309798	BAFFLE	1
36	309800	BAFFLE	1
37	309802	BAFFLE SHORT RH	3
38	309803	BAFFLE SHORT LH	3
39	309940	BOLTING PLATE	4
44	309806	BOLTING PLATE	2
45	309813	BOLTING PLATE	2



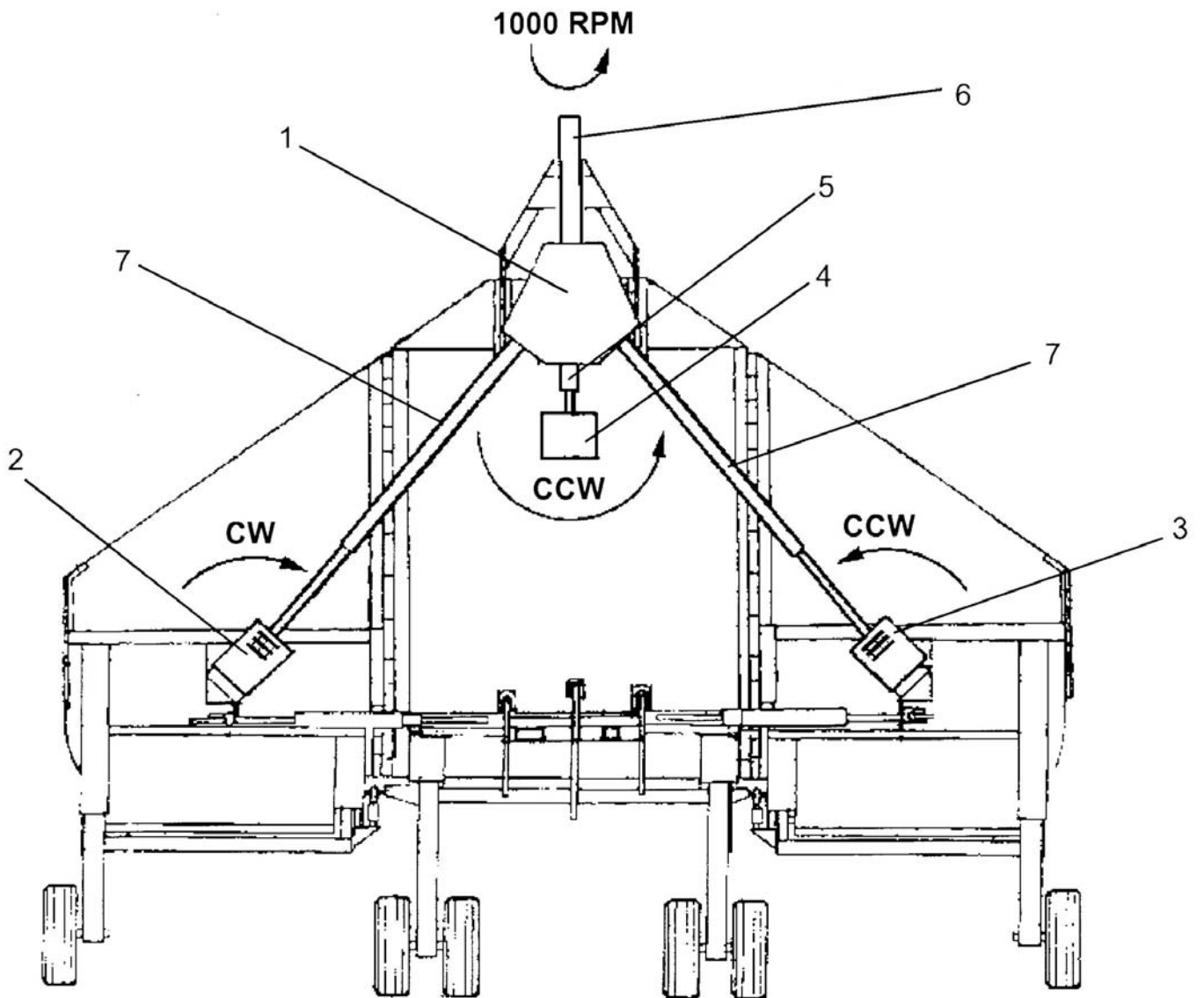
REF	PART NO	DESCRIPTION	QTY
1048505		SIDE SKIRTS & SKIDS	
01	45238.01	SIDE SKIRT LH	1
01	45238.02	SIDE SKIRT RH	1
01	05.264.25	SETSCREW M12 X 40	16
01	05.281.03	FLAT WASHER 12MM	16
01	05.287.03	SELF LOCKING NUT M12	16
02	45238.03	SKID SHOE LH	1
02	45238.04	SKID SHOE RH	1
02	6012034	PLOUGH BOLT 7/16" UNF	6
02	05.288.03	NUT 7/16" UNF	6
03	45239.01	SKID LH	1
03	45239.02	SKID RH	1
03	05.264.23	SETSCREW M12 X 30	4
03	05.287.03	SELF LOCKING NUT M12	4
04	45239.33	SPACER PLATE	2



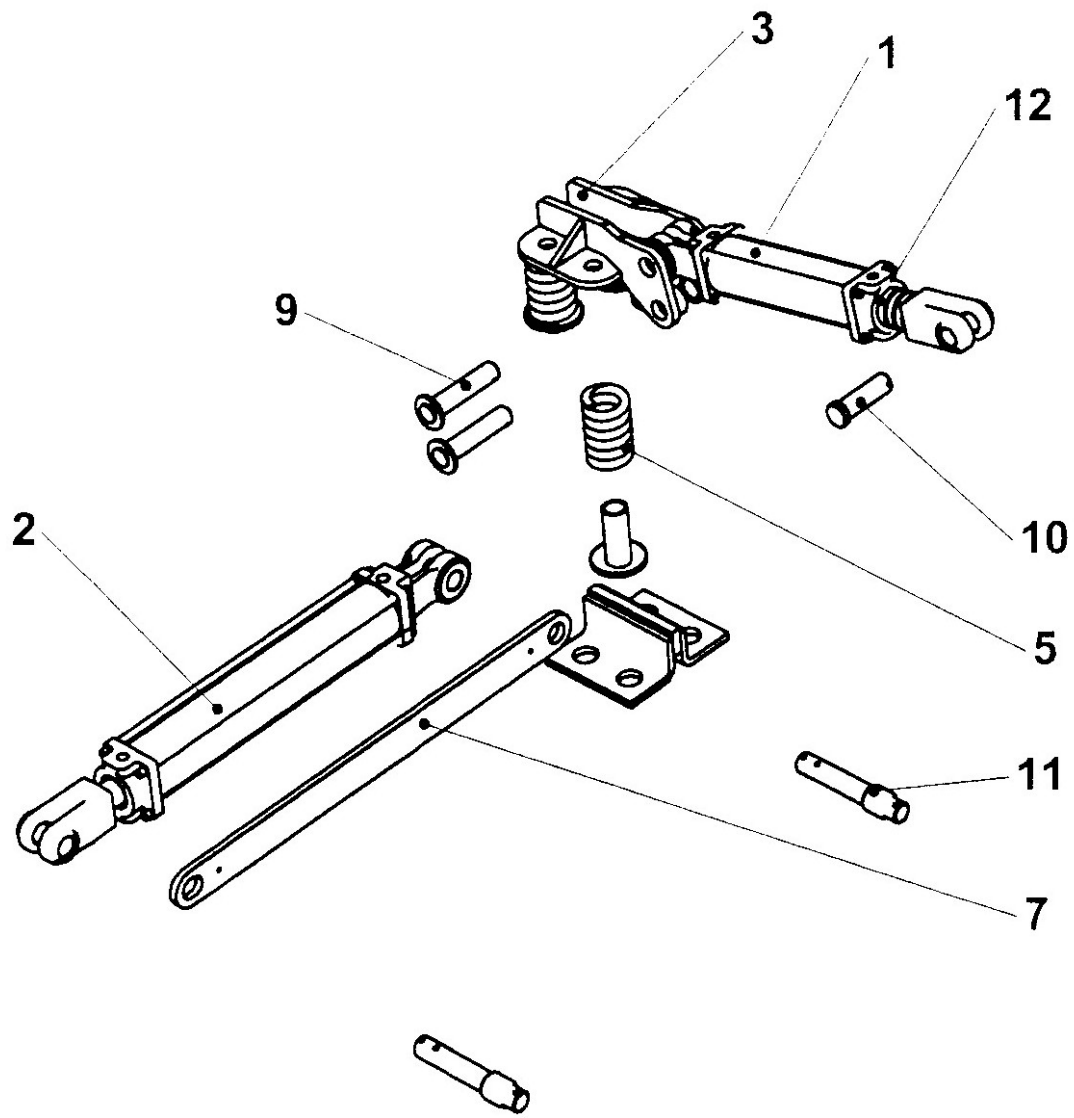
REF	PART NO	DESCRIPTION	QTY
77.500.14	DRIVELINE GUARDS		
01	45231.01	GUARD DIVIDER GEARBOX	1
01	05.256.22	SETSCREW 1/2" UNC X 1"	6
01	0100205	SPRING WASHER 1/2"	6
02	45231.02	STIFFENER	1
03	45183.01	GEARBOX GUARD SUPPORT BRACKET	3
03	0312062	SETSCREW 5/16" UNC X 3/4"	12
03	0100202	SPRING WASHER 5/16"	12
03	0111001	NUT 1/4" UNF	3
04	45187.01	GEARBOX GUARD	3
46505.02	MANUAL HOLDER ASSEMBLY		
21	46505.01	LITERATURE HOLDER – PLASTIC	1
21	46503.01	SPACER	1
21	9313043	SETSCREW	3
21	30.070.64	NUT NYLOC M6	3
21	05.281.10	FLAT WASHER M6	3



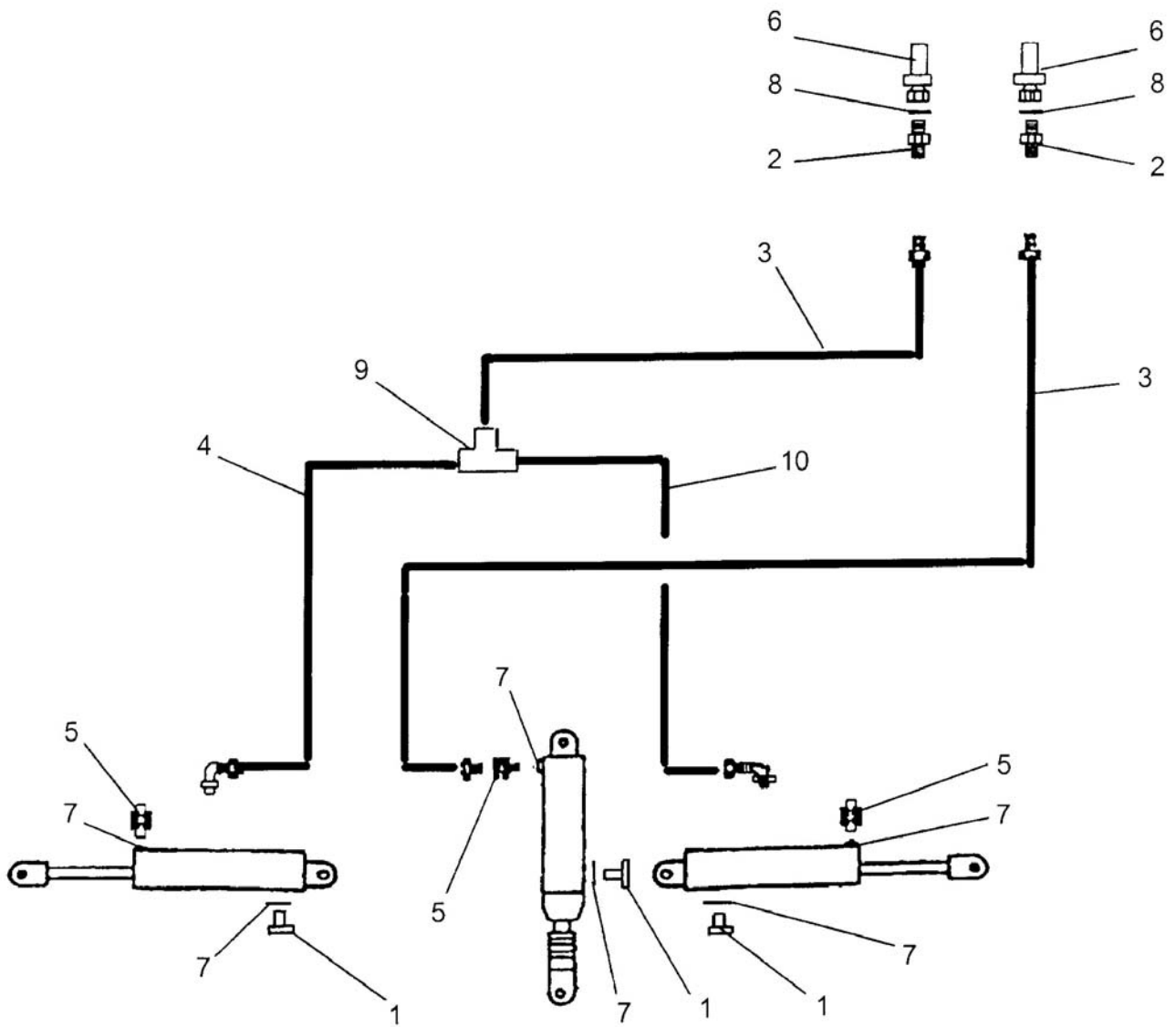
REF	PART NO	DESCRIPTION	QTY
1048502/1048522 HITCH AND LEVELLING ASSEMBLY (PINTLE/CLEVIS)			
01	45203.01	LONG TONGUE W/ASSY	1
01	0901121	GREASE NIPPLE 1/8" BSP	2
02	45235.01	PINTLE HITCH EYE	1
02	45945.01	CLEVIS HITCH	1
02	0211569	BOLT 1" UNF X 7"	1
02	0141009	NUT 1"UNF CLEVELOK	1
03	45186.01	JACK MOUNT W/ASSY	1
03	00764515	CHAIN-SAFETY	1
03	9213117	BOLT M16 X 55	2
03	9143007	M16 CLEVELOK NUT	2
04	45185.01	PIN-PIVOT W/ASSY	2
04	9313066	BOLT M12 X 30 COURSE	2
04	9143006	NUT M12 CLEVELOK	2
05	45213.01	PIN	1
05	9501326	SPLIT PIN 5DIA X 32MM	1
06	45213.02	PIN	1
06	9501326	SPLIT PIN 5DIA X 32MM	1
07	45213.03	PIN	4
07	9501326	SPLIT PIN 5DIA X 32MM	4
07	0100107	3/4" FLAT WASHER	4
08	45226.01	LEVEL ROD-LONG W/ASSY	2
09	45226.02	LEVEL ROD-SHORT W/ASSY	2
09	30.070,62	M24 THIN NUT	2
10	45227.01	NUT ADJUSTMENT	2
11	45232.11	CONTROL ROD-LONG W/ASSY	1
12	45232.12	CONTROL ROD W/ASSY	1
12	30.070,62	M24 THIN NUT	1
13	1048060	JACK ASSEMBLY	1
21182.27 PTO SUPPORT BRACKET			
21	21182.01	PTO SUPPORT BRACKET	1
22	21182.36	PIVOT BAR	1
22	9501255	COTTER PIN	2
21182.28 PTO SUPPORT BRACKET			
21	21182.01	PTO SUPPORT BRACKET	1
22	21182.36	PIVOT BAR	1
22	05.284.96	SPLIT COTTER	2



REF	PART NO	DESCRIPTION	QTY
1048507	GEARBOXES & SHAFTS		
01	00769116P	GEARBOX – DIVIDER	1
01	05.256.34	SETECREW 5/8" UNC X 1 1/2"	4
01	05.281.04	FLAT WASHER 16MM	4
01	05.282.04	SPRING WASHER 16MM	4
02	00769918P	GEARBOX – LEFT WING	1
02	05.252.35	BOLT 5/8" UNF X 2 1/4"	6
02	05.295.05	SELF LOCKING NUT 5/8" UNF	6
03	00769921P	GEARBOX – RIGHT WING	1
03	05.252.35	BOLT 5/8" UNF X 2 1/4"	6
03	05.295.05	SELF LOCKING NUT 5/8" UNF	6
04	00769924P	GEARBOX – CENTRE	1
04	05.252.35	BOLT 5/8" UNF X 2 1/4"	6
04	05.295.05	SELF LOCKING NUT 5/8" UNF	6
05	00756581	INTERMEDIATE DRIVE SHAFT	1
06	1048057	MAIN PTO SHAFT	1
07	00757375A	SHAFT ASSEMBLY – WING	2
1048525	GEARBOXES & SHAFTS (21 SPLINE + OVERRUN)		
01	00769116P	GEARBOX – DIVIDER	1
01	05.256.34	SETECREW 5/8" UNC X 1 1/2"	4
01	05.281.04	FLAT WASHER 16MM	4
01	05.282.04	SPRING WASHER 16MM	4
02	00769918P	GEARBOX – LEFT WING	1
02	05.252.35	BOLT 5/8" UNF X 2 1/4"	6
02	05.295.05	SELF LOCKING NUT 5/8" UNF	6
03	00769921P	GEARBOX – RIGHT WING	1
03	05.252.35	BOLT 5/8" UNF X 2 1/4"	6
03	05.295.05	SELF LOCKING NUT 5/8" UNF	6
04	00769924P	GEARBOX – CENTRE	1
04	05.252.35	BOLT 5/8" UNF X 2 1/4"	6
04	05.295.05	SELF LOCKING NUT 5/8" UNF	6
05	00756581	INTERMEDIATE DRIVE SHAFT	1
06	5614541	MAIN PTO SHAFT	1
06	028151	PTO YOKE	0
07	00757375A	SHAFT ASSEMBLY – WING	2
1048526	GEARBOXES & SHAFTS (6 SPLINE + OVERRUN)		
01	00769116P	GEARBOX – DIVIDER	1
01	05.256.34	SETECREW 5/8" UNC X 1 1/2"	4
01	05.281.04	FLAT WASHER 16MM	4
01	05.282.04	SPRING WASHER 16MM	4
02	00769918P	GEARBOX – LEFT WING	1
02	05.252.35	BOLT 5/8" UNF X 2 1/4"	6
02	05.295.05	SELF LOCKING NUT 5/8" UNF	6
03	00769921P	GEARBOX – RIGHT WING	1
03	05.252.35	BOLT 5/8" UNF X 2 1/4"	6
03	05.295.05	SELF LOCKING NUT 5/8" UNF	6
04	00769924P	GEARBOX – CENTRE	1
04	05.252.35	BOLT 5/8" UNF X 2 1/4"	6
04	05.295.05	SELF LOCKING NUT 5/8" UNF	6
05	00756581	INTERMEDIATE DRIVE SHAFT	1
06	310183	MAIN PTO SHAFT	1
07	00757375A	SHAFT ASSEMBLY – WING	2

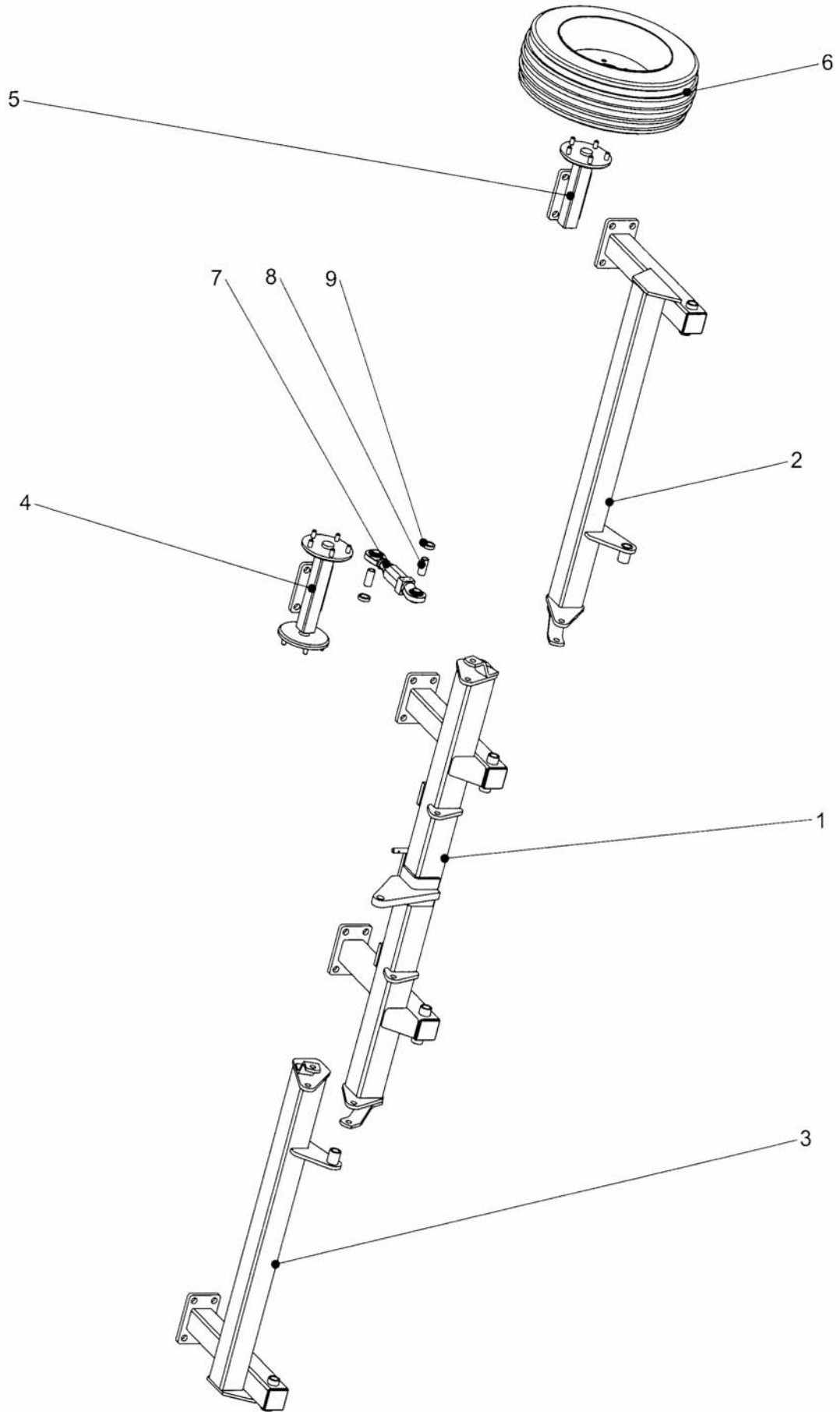


REF	PART NO	DESCRIPTION	QTY
1048506	HYDRAULIC RAMS & FITTINGS		
01	8727A	RAM – LIFT	1
01	00774760	SEAL KIT	0
02	8728A	RAM – WING	2
02	00774760	SEAL KIT	0
03	45200.01	BRACKET-UPPER SPRING	1
03	0212527	BOLT 3/4" UNC X 6.1/2"	4
03	05.296.07	SELF-LOCKING NUT 3/4"UNC PLATE	4
03	05.281.05	FLAT WASHER 20MM PLATED	4
04	45200.02	BRACKET-LOWER SPRING	1
05	371063A	SPRING	4
06	45246.01	SPRING GUIDE	4
07	45201.01	TRANSPORTER BAR	2
09	45214.01	PIN-BASE END LIFT RAM	2
09	05.284.14	SPLIT COTTER 5MM X 40MM	2
10	45217.01	PIN-ROD LIFT RAM	1
10	05.284.14	SPLIT COTTER 5MM X 40MM	1
11	45163.01	PIN-WING RAM	4
11	05.284.14	SPLIT COTTER 5MM X 40MM	6
11	05.964.01	SPRING COTTER 3.6MM DIA	2
12	00755234	CONTROL SPACER KIT	1



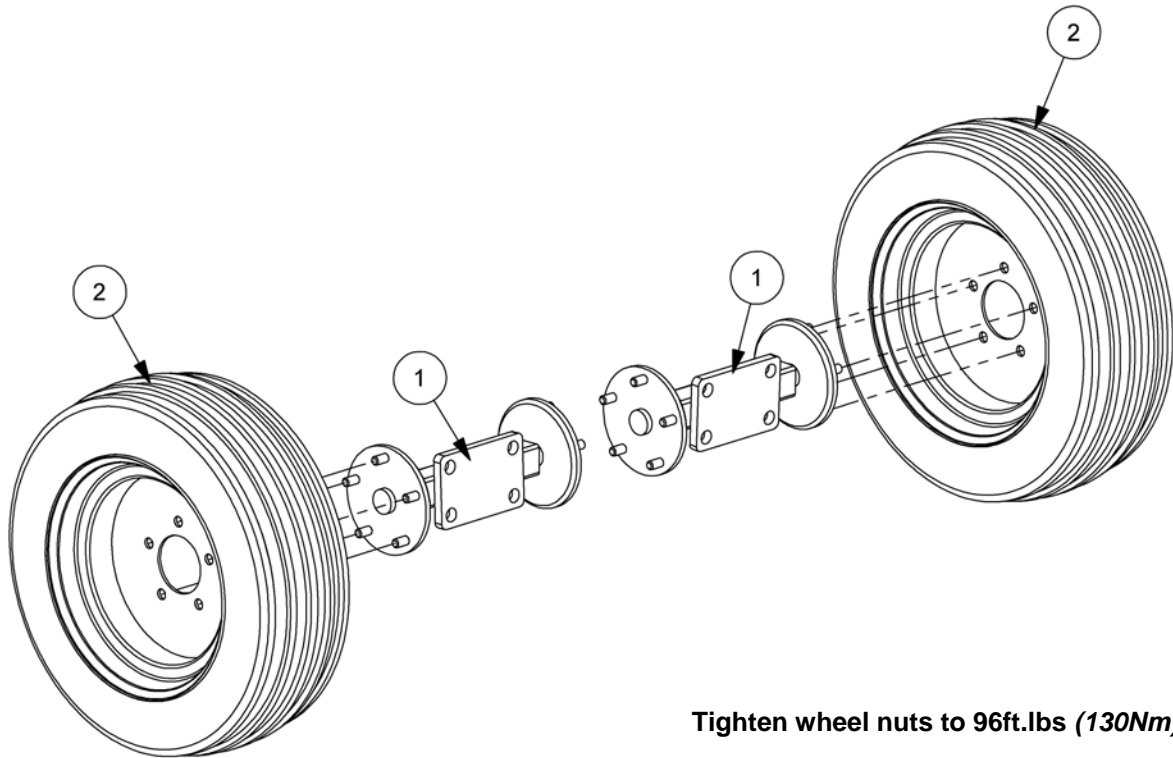
REF	PART NO	DESCRIPTION	QTY
77.500.16	HYDRAULIC FITTINGS AND HOSES		
01	00762114	BREATHER	3
02	8124064	RESTRICTOR 1/2" BSP X 3/8" BSP	2
03	10.003.62	HOSE 3/8" BSP FS/FS X 5200	2
04	10.004.26	HOSE 3/8" BSP FS/F90 X 1600	1
05	8581170	3/8" BSP CONED / 3/4" JIC	3
06	8590074	1'2" BSP QUICK RELEASE	2
07	8600908	O RING 3/4"UNF	6
08	8650104	1/2" BSP BONDED SEAL PP45D	2
09	04.056.05	ADAPTOR TEE 3/8" BSP M/M/M	1
10	10.004.22	HOSE 3/8" BSP ST X 90 1200	1
11	T5386	DUST CAP FEMALE	2
12	04.282.66	STUD M10 X 56	3
12	05.281.02	FLAT WASHER 10MM	3
12	05.287.02	SELF LOCKING NUT M10	3
12	06.418.06	CLAMP PLATE	3
12	06.430.07	CLAMP – HOSE	6

Tighten wheel nuts to 96ft.lbs (130Nm)



REF	PART NO	DESCRIPTION	QTY
77.500.11		WHEELS, HUBS AND AXLES	
01	46992.08	CENTRE AXLE	1
01	0212609	BOLT 1" UNC X 7 1/2"	2
01	05.296.08	SELF LOCKING NUT 1" UNC	2
02	46992.07	L.H. WING AXLE	1
02	0212569	BOLT 1" UNC X 7"	1
02	05.255.40	BOLT 1" UNC X 5"	1
02	05.296.08	SELF LOCKING NUT 1" UNC	2
03	46992.06	R.H. WING AXLE	1
03	0212569	BOLT 1" UNC X 7"	1
03	05.255.40	BOLT 1" UNC X 5"	1
03	05.296.08	SELF LOCKING NUT 1" UNC	2
04	46992.22	TWIN STUB AXLE ASSEMBLY	2
04	05.292.45	BOLT M20 X 120 MM	8
04	05.287.05	SELF LOCKING NUT M20	8
05	46992.23	SINGLE STUB AXLE ASSEMBLY	2
05	05.292.45	BOLT M20 X 120 MM	8
05	05.287.05	SELF LOCKING NUT M20	8
06	1048038AP	WHEEL AND TYRE ASSEMBLY	6
07	00763449	CONTROL ROD ASSEMBLY	2
07	05.255.38	BOLT 3/4" UNC X 4 1/2"	4
08	45184.01	SPACER TUBE	4
09	1048010	SPACER	4
10	45410.02	CHOCK L.H. <i>N/I</i>	1
10	05.964.01	SPRING COTTER	1
11	45410.01	CHOCK R.H. <i>N/I</i>	1
11	05.964.01	SPRING COTTER	1

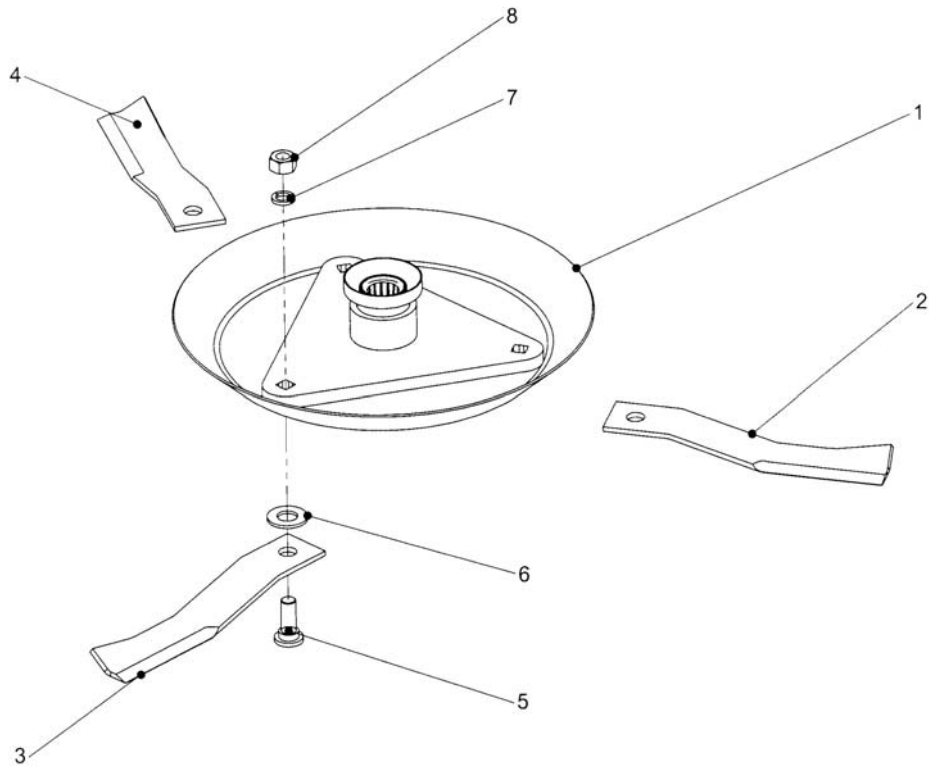
N/I = NOT ILLUSTRATED



Tighten wheel nuts to 96ft.lbs (130Nm)

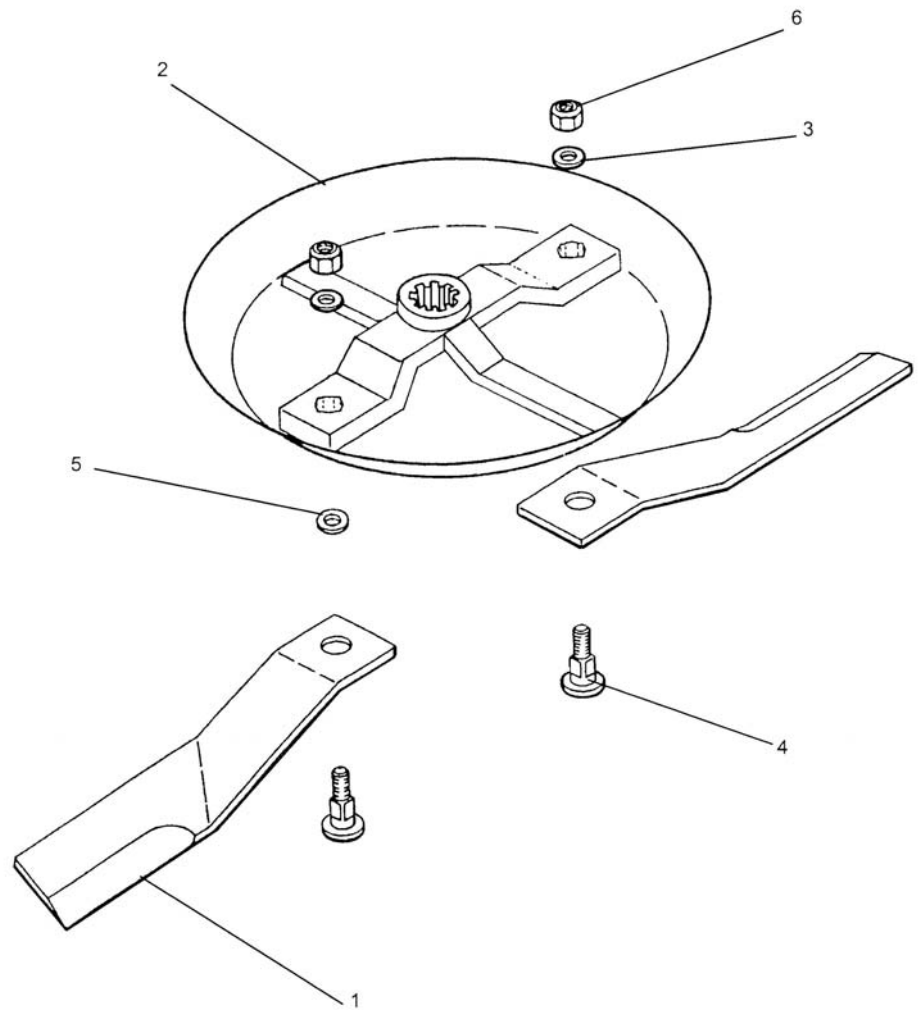
REF.	QTY.	PART No.	DESCRIPTION
		1058522	8 WHEEL CONVERSION KIT
1	2	46992.22	TWIN HUB (<i>includes Wheel Nuts</i>)
2	2	1048038AP	WHEEL ASSEMBLY

This page is intentionally blank

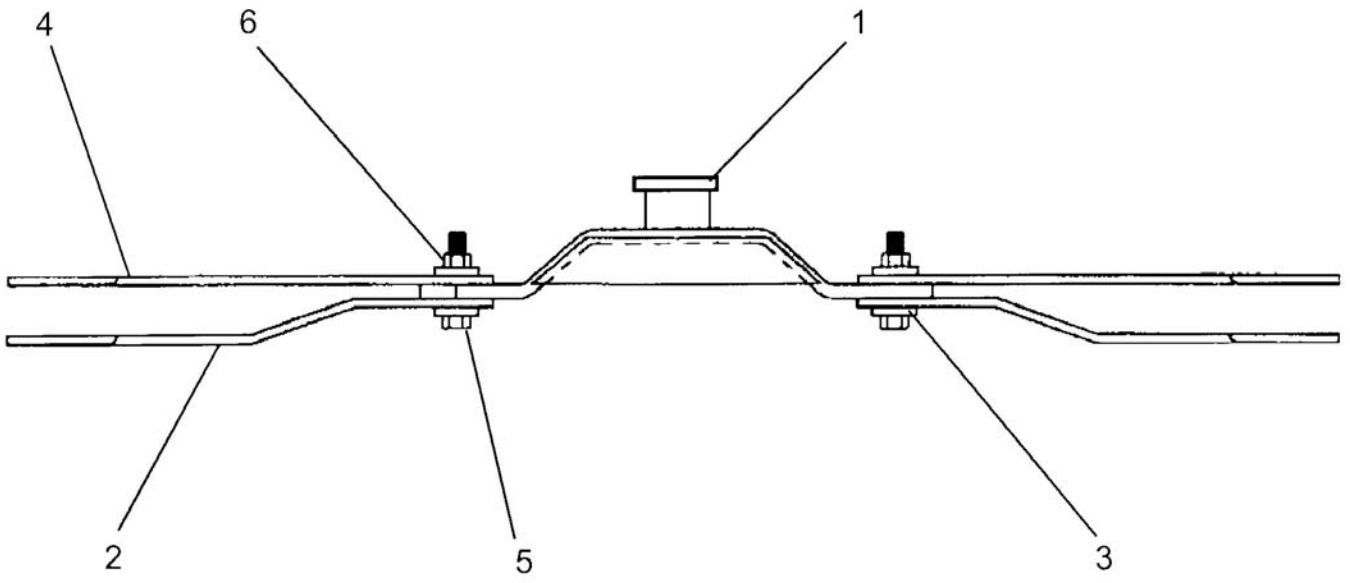


3 BLADE ASSY

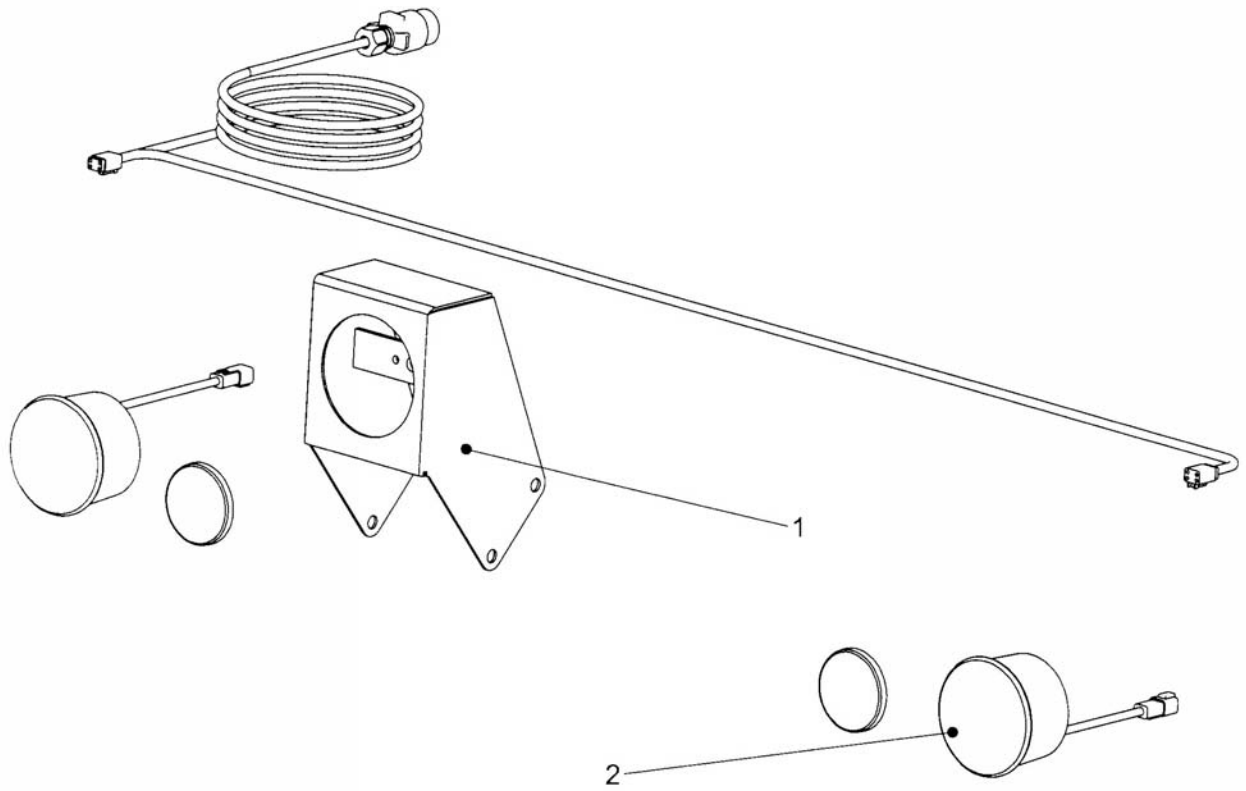
2 BLADE ASSY



REF	PART NO	DESCRIPTION	QTY
77.500.22	3 BLADE PAN AND BLADES		
01	46992.25	3 BLADED PAN ASSEMBLY	3
02	00764663P	BLADE C/W	1
03	00764664P	BLADE AC/W	1
04	00764668P	BLADE AC/W	1
05	571044	BOLT	9
06	571045	WASHER – SHOLDER BOLT	9
07	0656150200	WASHER	9
08	5GL16140	LOCKNUT	9
1048509	2 BLADE PAN AND BLADES		
01	00764663P	BLADE C/W – WING LH	2
01	00764664P	BLADE AC/W – WING RH	2
01	00764668P	BLADE AC/W - CENTRE.	2
02	00771591P	2 BLADE PAN	3
03	0656150200	WASHER	6
04	571044	BOLT	6
05	571045	WASHER - SHOULDER BOLT	6
06	5GL16140	LOCK NUT	6

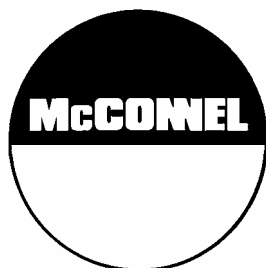


REF	PART NO	DESCRIPTION	QTY
1048265		SHREDDER BLADE ASSEMBLY	
01	00771594	BLADE BAR	3
02	8588	BLADES PAIR CENTRE	2
02	8589	BLADES PAIR WING LH	2
02	8590	BLADES PAIR WING RH	2
03	00763253	BLADE BUSHING	12
04	8279	TOP BLADE (WING)	4
04	8280	TOP BLADE (CENTRE)	2
05	7AH8141436	BOLT	6
06	00750226	LOCKNUT	6



REF	PART NO	DESCRIPTION	QTY
77.500.15	LIGHT BRACKET AND LIGHT KIT		
01	46948.09	LIGHT MOUNTING BRACKET	2
01	05.291.12	BOLT M10 X 35 MM	8
02	45662.10	LIGHT KIT	1

REF	PART NO	DESCRIPTION	QTY
1048511	LIST OF SAFETY DECALS		
01	09.810.01	DECAL-GREASE (8 HOURS)	4
02	09.810.02	DECAL-GREASE (40 HOURS)	4
03	09.810.05	DECAL - OIL LEVEL	3
04	09.811.05	DECAL - MAX PTO SPEED 1000 ACW	1
05	09.821.29	COMBINED EURO DECAL	1
06	09.821.30	COMBINED EURO DECAL	1
05	09.821.34	COMBINED EURO DECAL	1
14	09.843.07	DECAL - LIFT POINT 2000 KG	4
18	00763613	DECAL - SLIP CLUTCH ADJUSTMENT	1
19	D137	DECAL - BLADE CCW ROTATION	2
25	05.227.01	HAMMER DRIVE SCREW NO.6X3/8"	2
25	1335246	SERIAL NO. PLATE	1
26	D102	DECAL - PTO 5FT TO HITCH	1
27	D138	DECAL - BLADE CW ROTATION	1
28	7560093	ADHESIVE REFLECTOR	4
29	21175.01	DECAL - SET SLIP CLUTCH	1
30	21175.02	DECAL - CLUTCH SETTING	1
1048527	LIST OF SAFETY DECALS		
01	09.810.01	DECAL-GREASE (8 HOURS)	4
02	09.810.02	DECAL-GREASE (40 HOURS)	4
03	09.810.05	DECAL - OIL LEVEL	3
04	09.811.06	DECAL - MAX PTO SPEED 1000 ACW	1
05	09.821.29	COMBINED EURO DECAL	1
06	09.821.30	COMBINED EURO DECAL	1
05	09.821.34	COMBINED EURO DECAL	1
14	09.843.07	DECAL - LIFT POINT 2000 KG	4
18	00763613	DECAL - SLIP CLUTCH ADJUSTMENT	1
19	D137	DECAL - BLADE CCW ROTATION	2
25	05.227.01	HAMMER DRIVE SCREW NO.6X3/8"	2
25	1335246	SERIAL NO. PLATE	1
26	D102	DECAL - PTO 5FT TO HITCH	1
27	D138	DECAL - BLADE CW ROTATION	1
28	7560093	ADHESIVE REFLECTOR	4
29	21175.01	DECAL - SET SLIP CLUTCH	1
30	21175.02	DECAL - CLUTCH SETTING	1



McConnel Limited, Temeside Works, Ludlow, Shropshire SY8 1JL. England.
Telephone: 01584 873131. Facsimile: 01584 876463. www.mcconnel.com