

# **PARTS MANUAL**

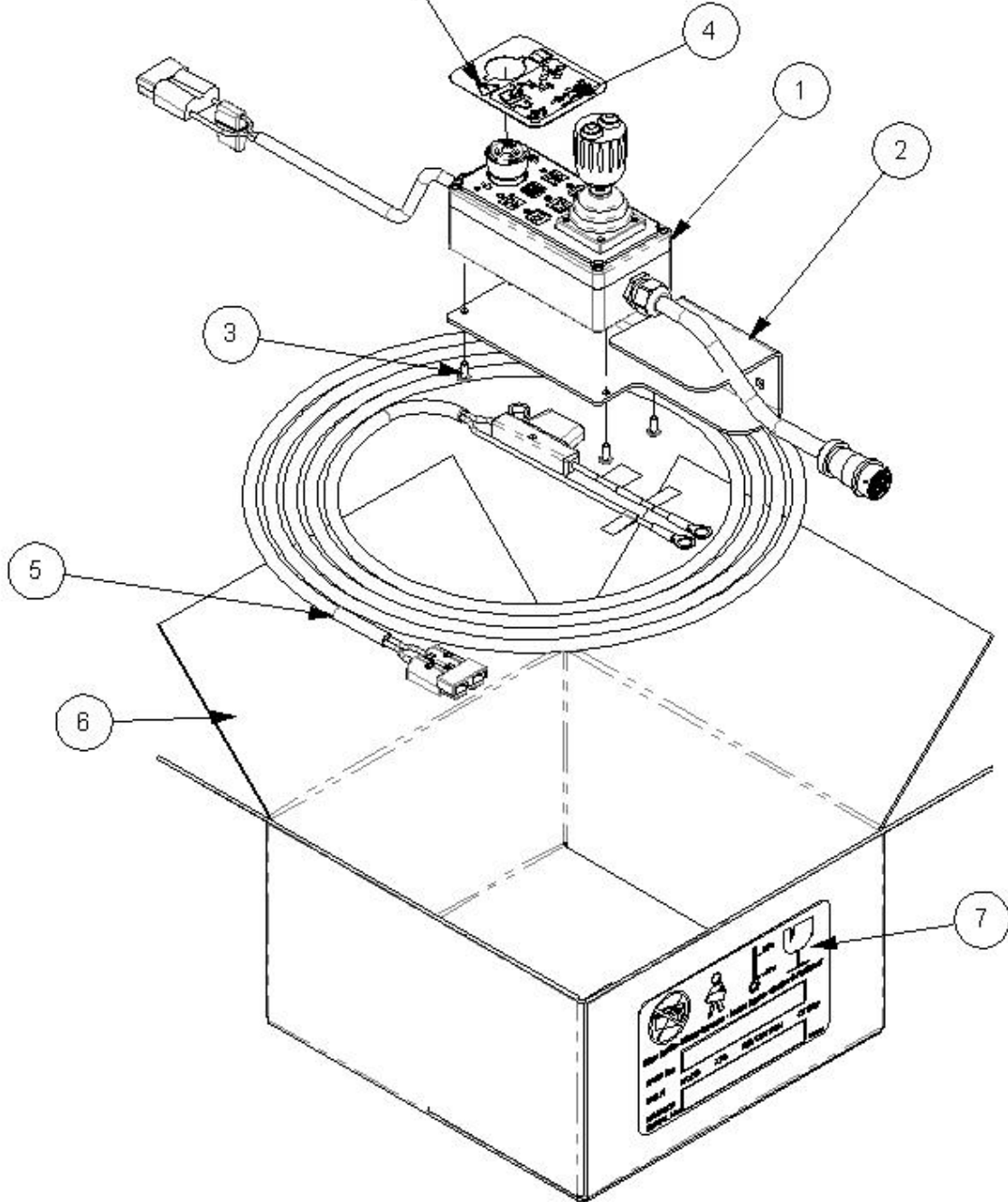
## **FOR**

# **McConnel PA5035 mini motion**

**PRINTED ON 21 APR 2021**

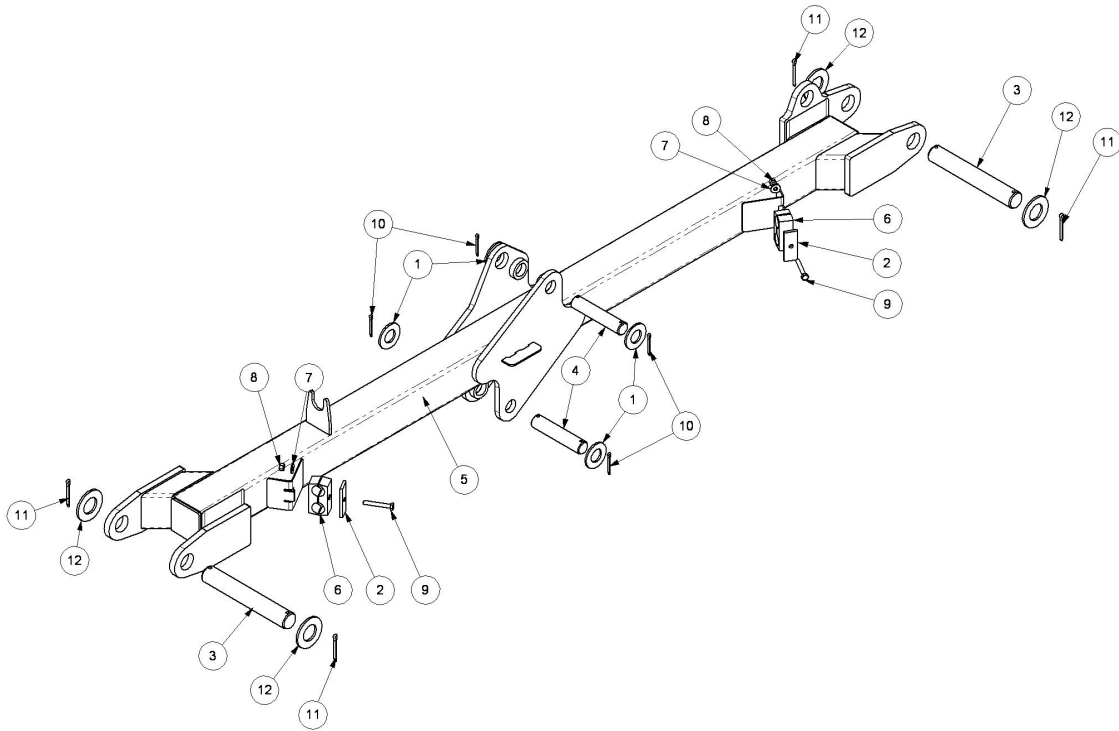
# 23880.01 - MINI CONTROLS COMES WITH POWER

FIT DECAL OVER E STOP



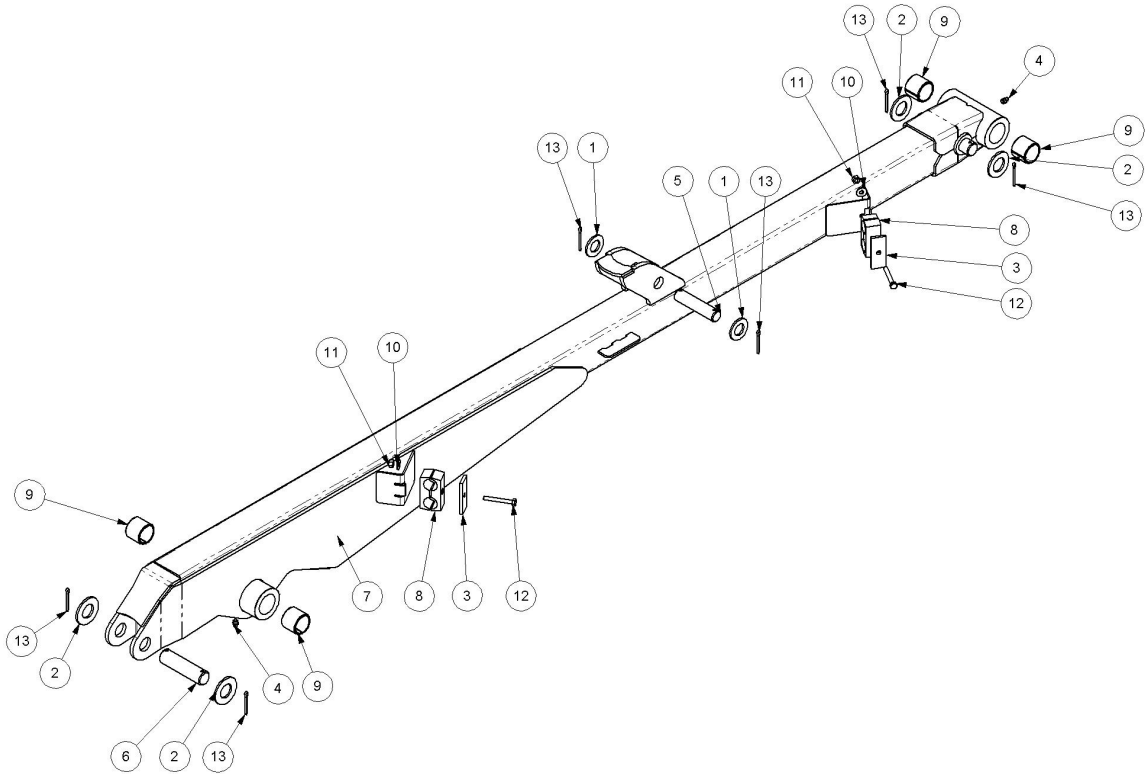
| Ref | Part No  | Description                  | QTY |
|-----|----------|------------------------------|-----|
| 1   | 23880.11 | MINI CONTROLS                | 1   |
| 2   | 42442.04 | MINI MOTION CONTROLS BRACKET | 1   |
| 3   | 2800243  | SCREW                        | 4   |
| 4   | 1291169  | OPERATIONAL DECAL            | 1   |
| 5   | 8402237  | LOOM                         | 1   |
| 6   | 8402701  | BOX                          | 1   |
| 7   | 1290717  | DECAL                        | 1   |

# 7146707 - MAIN ARM MODULE



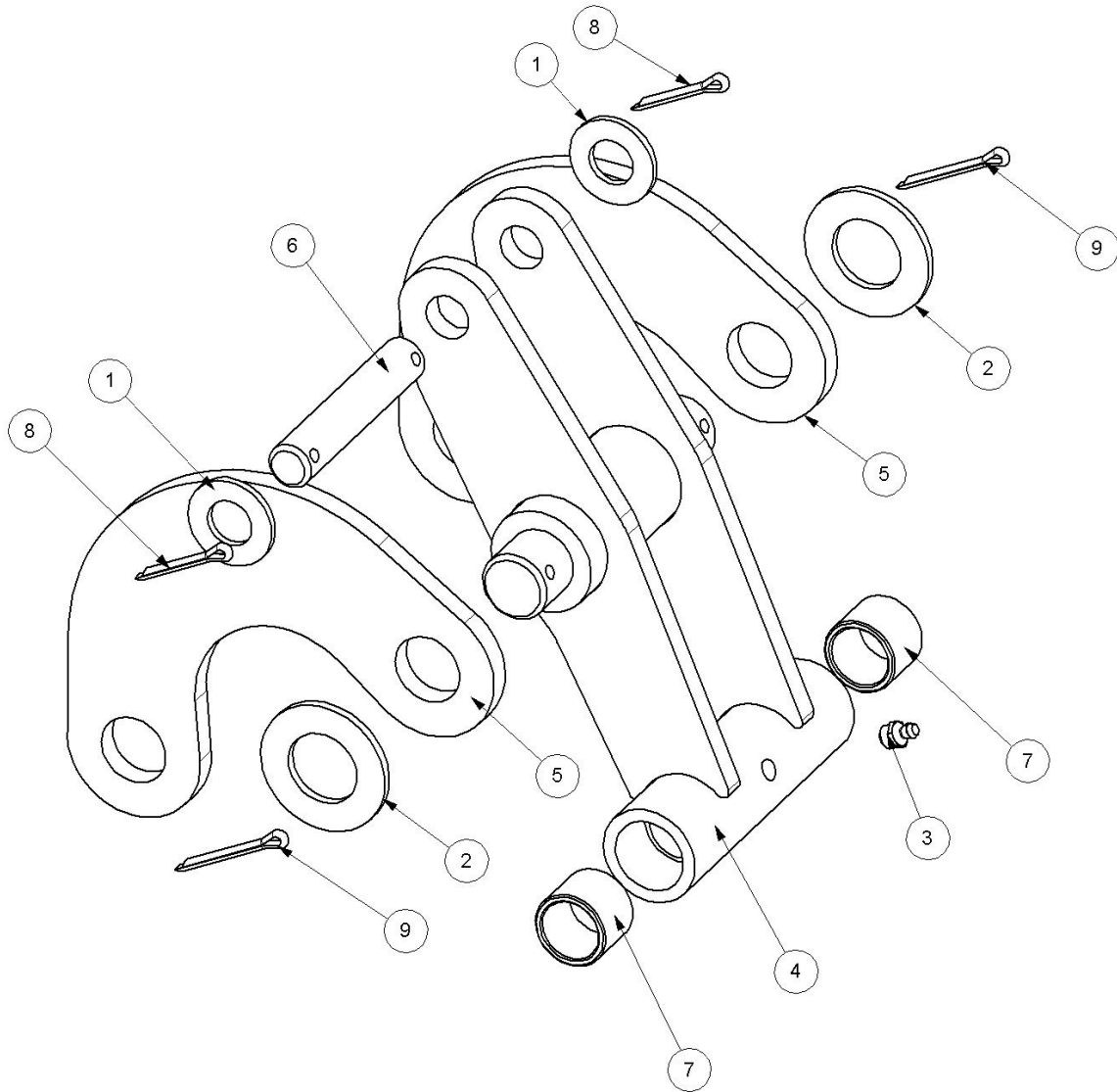
| Ref | Part No   | Description | QTY |
|-----|-----------|-------------|-----|
| 1   | 0100115   | WASHER      | 4   |
| 1   | 05.281.18 | WASHER      | 4   |
| 2   | 7198093   | PLATE       | 2   |
| 3   | 22001.01  | PIN         | 2   |
| 4   | 22002.03  | PIN         | 2   |
| 5   | 42344.08  | MAIN ARM    | 1   |
| 6   | 7198077   | CLAMP       | 2   |
| 7   | 9100104   | WASHER      | 2   |
| 8   | 9163004   | NUT         | 2   |
| 9   | 9213124   | BOLT        | 2   |
| 10  | 9501406   | PIN         | 4   |
| 11  | 9501507   | PIN         | 4   |

# 7146709 - DIPPER ARM MODULE



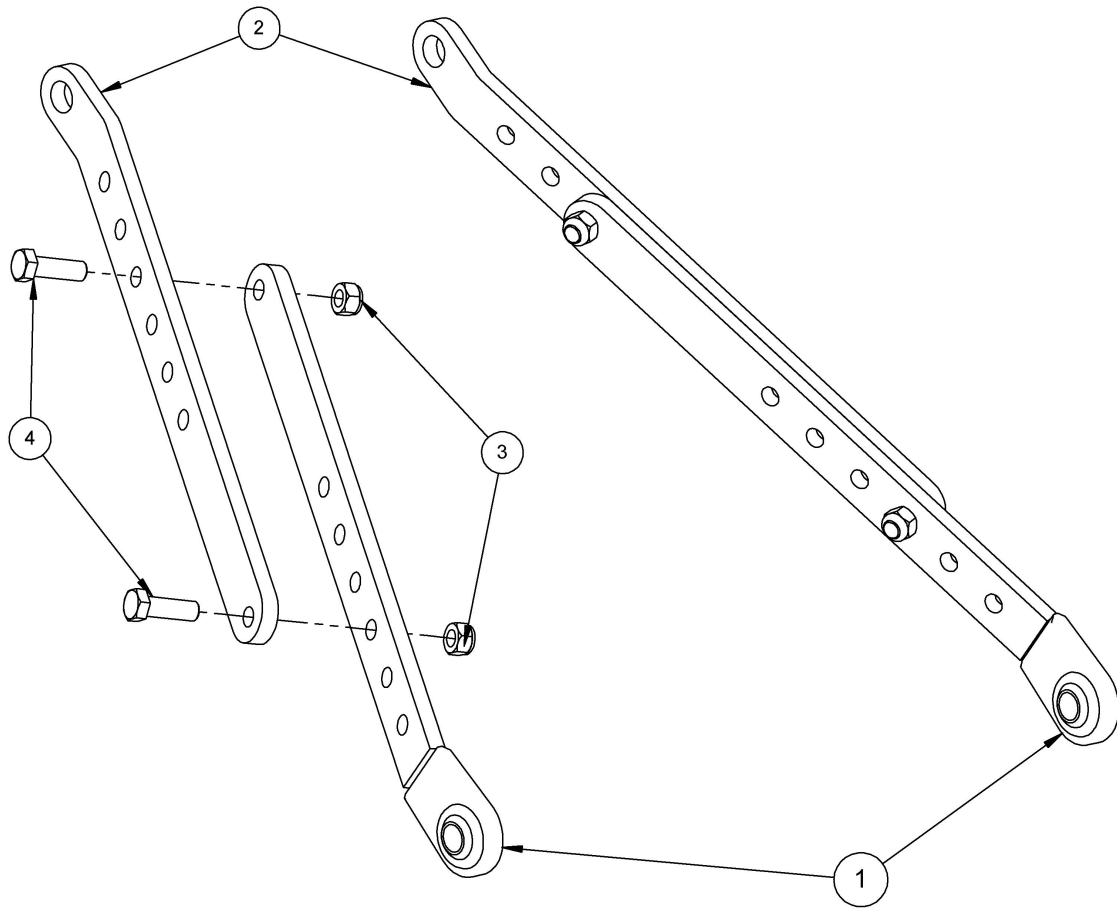
| Ref | Part No   | Description | QTY |
|-----|-----------|-------------|-----|
| 1   | 0100109   | WASHER      | 2   |
| 2   | 05.281.18 | WASHER      | 4   |
| 3   | 7198093   | PLATE       | 2   |
| 4   | 0901121   | GREASER     | 2   |
| 5   | 22002.01  | PIN         | 1   |
| 6   | 22002.02  | PIN         | 1   |
| 7   | 42345.03  | DIPPER ARM  | 1   |
| 8   | 7198077   | CLAMP       | 2   |
| 9   | 7213023   | BUSH        | 4   |
| 10  | 9100104   | WASHER      | 2   |
| 11  | 9163004   | NUT         | 2   |
| 12  | 9213124   | BOLT        | 2   |
| 13  | 9501406   | PIN         | 6   |

# 7146710 - HEAD ANGLING MODULE



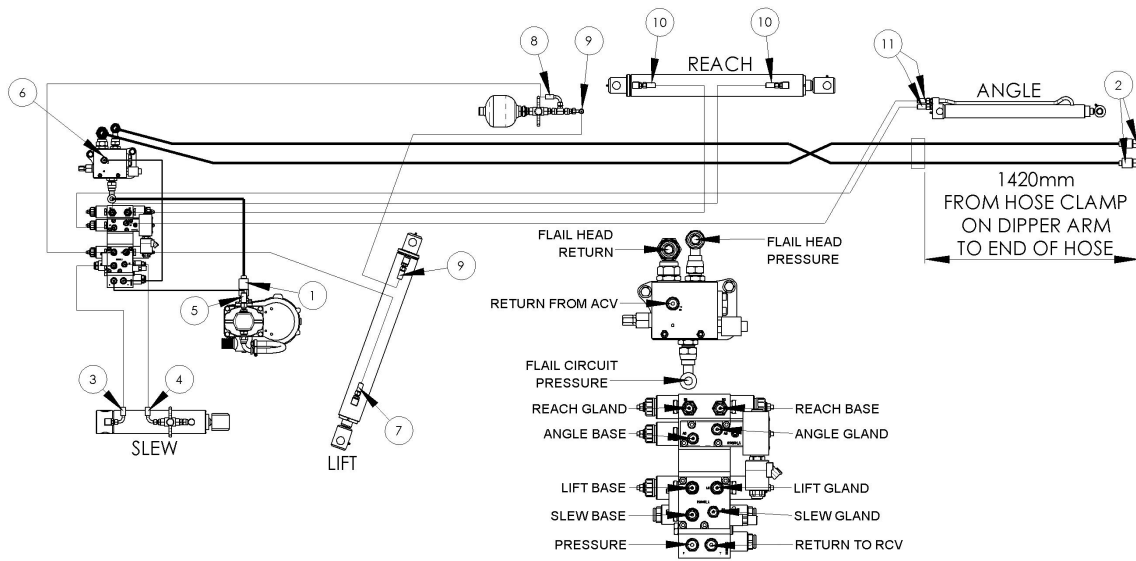
| Ref | Part No   | Description | QTY |
|-----|-----------|-------------|-----|
| 1   | 0100107   | WASHER      | 2   |
| 2   | 05.281.18 | WASHER      | 2   |
| 3   | 0901121   | GREASER     | 1   |
| 4   | 21999.01  | SLAVE LINK  | 1   |
| 5   | 22000.01  | RADIUS ARM  | 2   |
| 6   | 22003.01  | PIN         | 1   |
| 7   | 41690.01  | BUSH        | 2   |
| 8   | 9501326   | PIN         | 2   |
| 9   | 9501406   | PIN         | 2   |

# 7146711 - STABILIZER MODULE



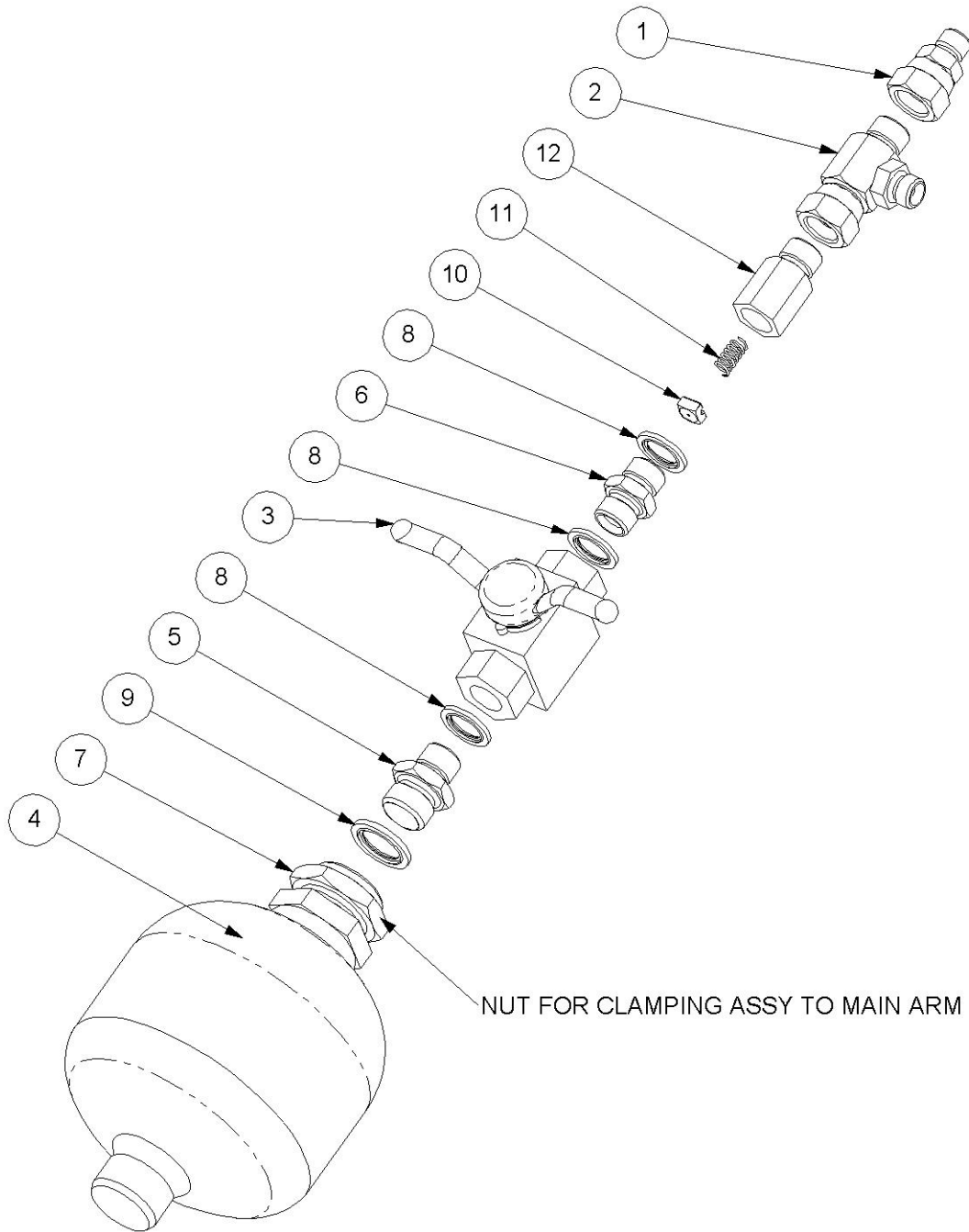
| Ref | Part No  | Description | QTY |
|-----|----------|-------------|-----|
| 1   | 42366.06 | STABILIZER  | 2   |
| 2   | 42366.07 | STABILIZER  | 2   |
| 3   | 9163007  | NUT         | 4   |
| 4   | 9213107  | BOLT        | 4   |

# 714672260 - HOSE KIT



| Ref | Part No   | Description | QTY |
|-----|-----------|-------------|-----|
| 1   | 10.010.12 | HOSE        | 1   |
| 2   | 10.009.72 | HOSE        | 2   |
| 3   | 10.002.14 | HOSE        | 1   |
| 4   | 10.002.16 | HOSE        | 1   |
| 5   | 10.003.10 | HOSE        | 1   |
| 6   | 10.003.14 | HOSE        | 1   |
| 7   | 10.001.28 | HOSE        | 1   |
| 8   | 10.002.24 | HOSE        | 1   |
| 9   | 10.002.13 | HOSE        | 1   |
| 10  | 10.001.36 | HOSE        | 2   |
| 11  | 10.001.51 | HOSE        | 2   |

# 7146723 - LIFT FLOAT ASSY

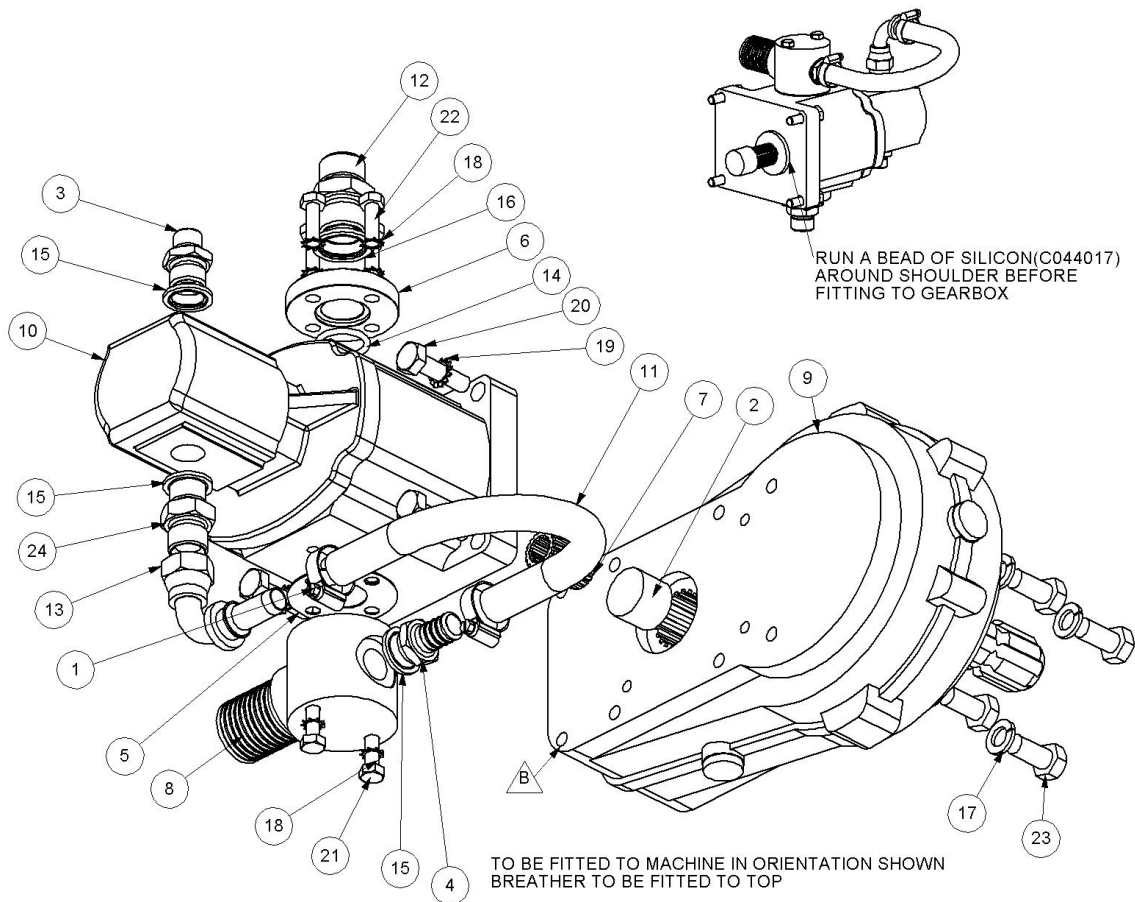


| Ref | Part No   | Description | QTY |
|-----|-----------|-------------|-----|
| 1   | 02.714.10 | ADAPTOR     | 1   |
| 2   | 04.056.16 | ADAPTOR     | 1   |
| 3   | 08.200.01 | VALVE       | 1   |
| 4   | 41451.02  | ACCUMULATOR | 1   |
| 5   | 6000112   | ADAPTOR     | 1   |
| 6   | 8581209   | UNION       | 1   |
| 7   | 8126035   | NUT         | 1   |
| 8   | 8650103   | SEAL        | 3   |



| <b>Ref</b> | <b>Part No</b> | <b>Description</b> | <b>QTY</b> |
|------------|----------------|--------------------|------------|
| 9          | 8650104        | SEAL               | 1          |
| 10         | 8123041        | RESTRICTOR DISC    | 1          |
| 11         | 8116011        | SPRING             | 1          |
| 12         | 8581346        | ADAPTOR            | 1          |

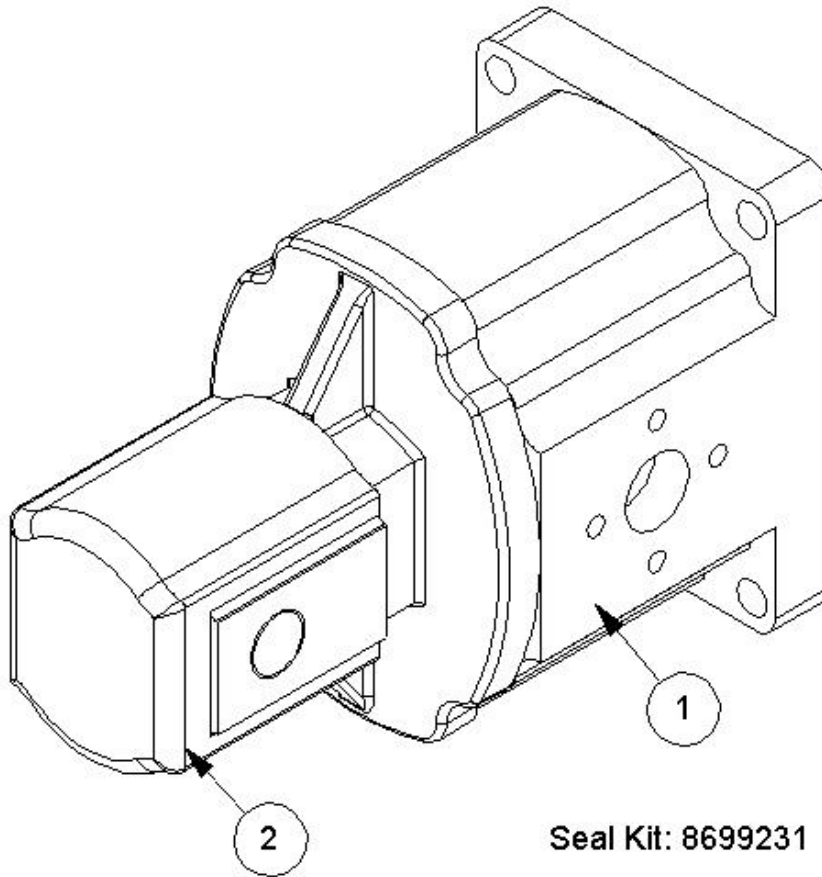
# 7146729 - PUMP & GEARBOX



| Ref | Part No        | Description           | QTY |
|-----|----------------|-----------------------|-----|
| 1   | 0904204        | CLIP                  | 2   |
| 2   | 42415.01       | SPACER                | 1   |
| 3   | 6000112        | ADAPTOR               | 1   |
| 4   | 8002059        | CONNECTION            | 1   |
| 5   | 8013023        | GASKET                | 1   |
| 6   | 8013088        | FLANGE                | 1   |
| 7   | 8013097        | ADAPTOR               | 1   |
| 8   | 8013098        | CONNECTION            | 1   |
| 9   | 8013536        | GEARBOX 3.80 :1 RATIO | 1   |
| 10  | <b>8201466</b> | PUMP                  | 1   |
| 11  | 8501099        | HOSE                  | 1   |
| 12  | 8581136        | ADAPTOR               | 1   |
| 13  | 8581173        | ELBOW                 | 1   |
| 14  | 8600119        | "O" RING              | 1   |
| 15  | 8650104        | SEAL                  | 3   |
| 16  | 8650106        | SEAL                  | 1   |
| 17  | 9100206        | WASHER                | 4   |
| 18  | 9100404        | WASHER                | 6   |
| 19  | 9100405        | WASHER                | 4   |

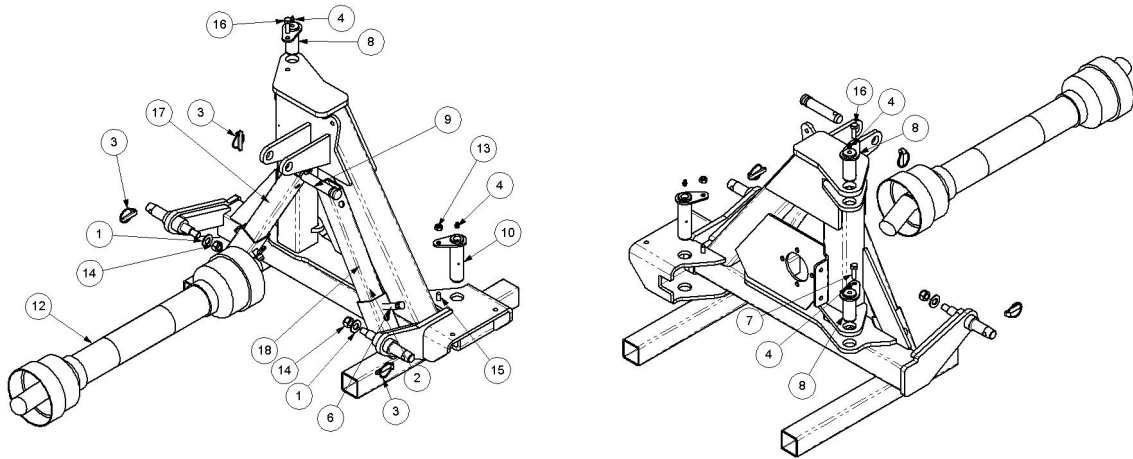
| <b>Ref</b> | <b>Part No</b> | <b>Description</b> | <b>QTY</b> |
|------------|----------------|--------------------|------------|
| 20         | 9213085        | BOLT               | 4          |
| 21         | 9213144        | BOLT               | 2          |
| 22         | 9313054        | SCREW              | 4          |
| 23         | 9313056        | SCREW              | 4          |
| 24         | G3812120       | ADAPTOR            | 1          |

# 8201466 - PUMP



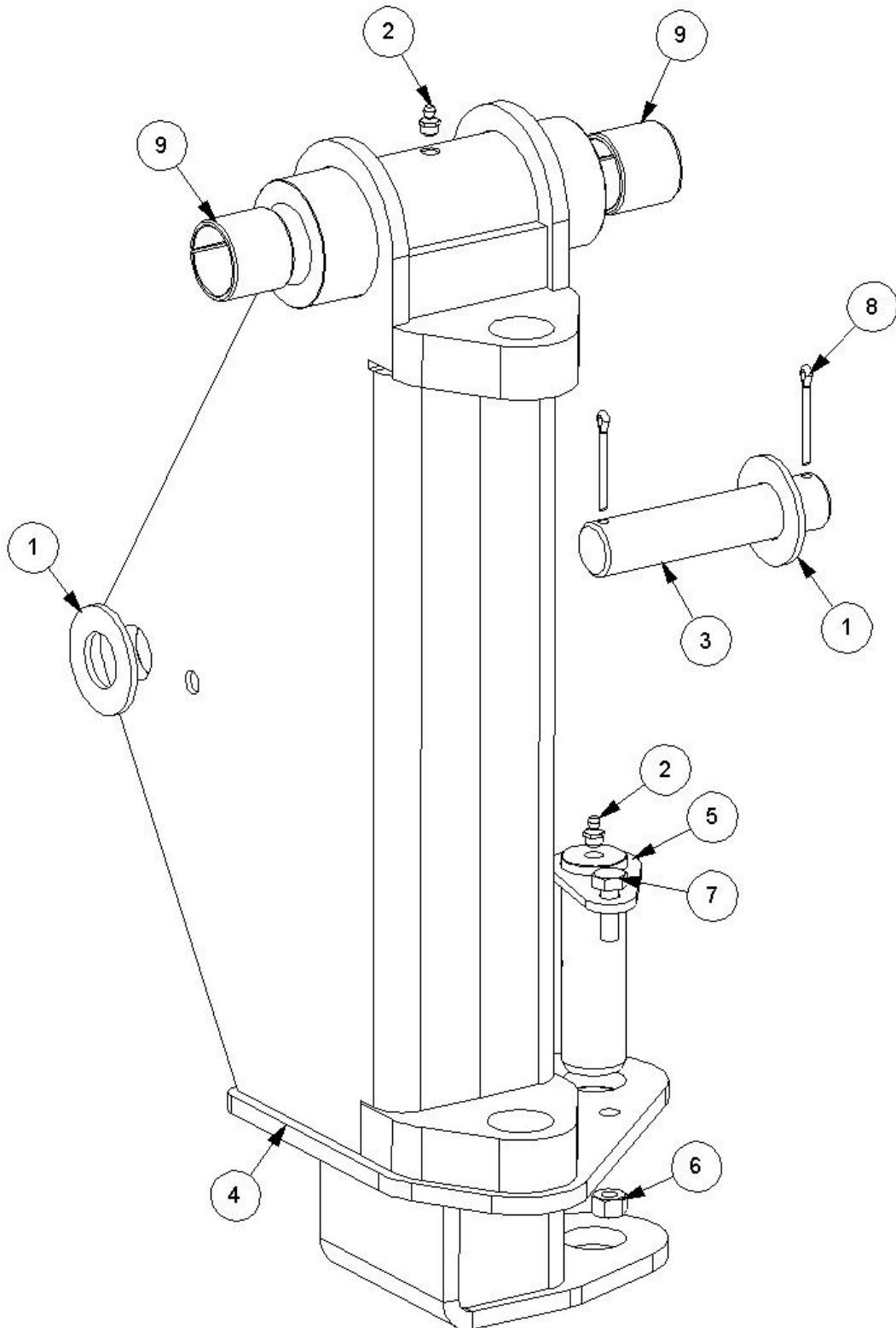
| Ref | Part No | Description         | QTY |
|-----|---------|---------------------|-----|
| 1   | 8201684 | HYD PUMP F-HALF     | 1   |
| 2   | 8201677 | PUMP REAR - 8201466 | 1   |
| 3   | 8699231 | SEAL KIT            | 0   |

# 7146731 - MAIN FRAME MODULE



| Ref | Part No  | Description | QTY |
|-----|----------|-------------|-----|
| 1   | 0100106  | WASHER      | 2   |
| 2   | 0431105  | PIN         | 2   |
| 3   | 0431217  | LINCH PIN   | 3   |
| 4   | 0901121  | GREASER     | 3   |
| 6   | 21997.01 | PIN         | 2   |
| 7   | 22038.02 | MAINFRAME   | 1   |
| 8   | 22040.01 | PIN         | 2   |
| 9   | 41267.06 | PIN         | 1   |
| 10  | 45202.01 | PIN         | 1   |
| 12  | 7114289  | PTO SHAFT   | 1   |
| 13  | 9163005  | NUT         | 3   |
| 14  | 9163007  | NUT         | 2   |
| 15  | 9313065  | SCREW       | 1   |
| 16  | 9313075  | SCREW       | 2   |
| 17  | 7198016  | LEG         | 1   |
| 18  | 7198046  | LEG -LH     | 1   |

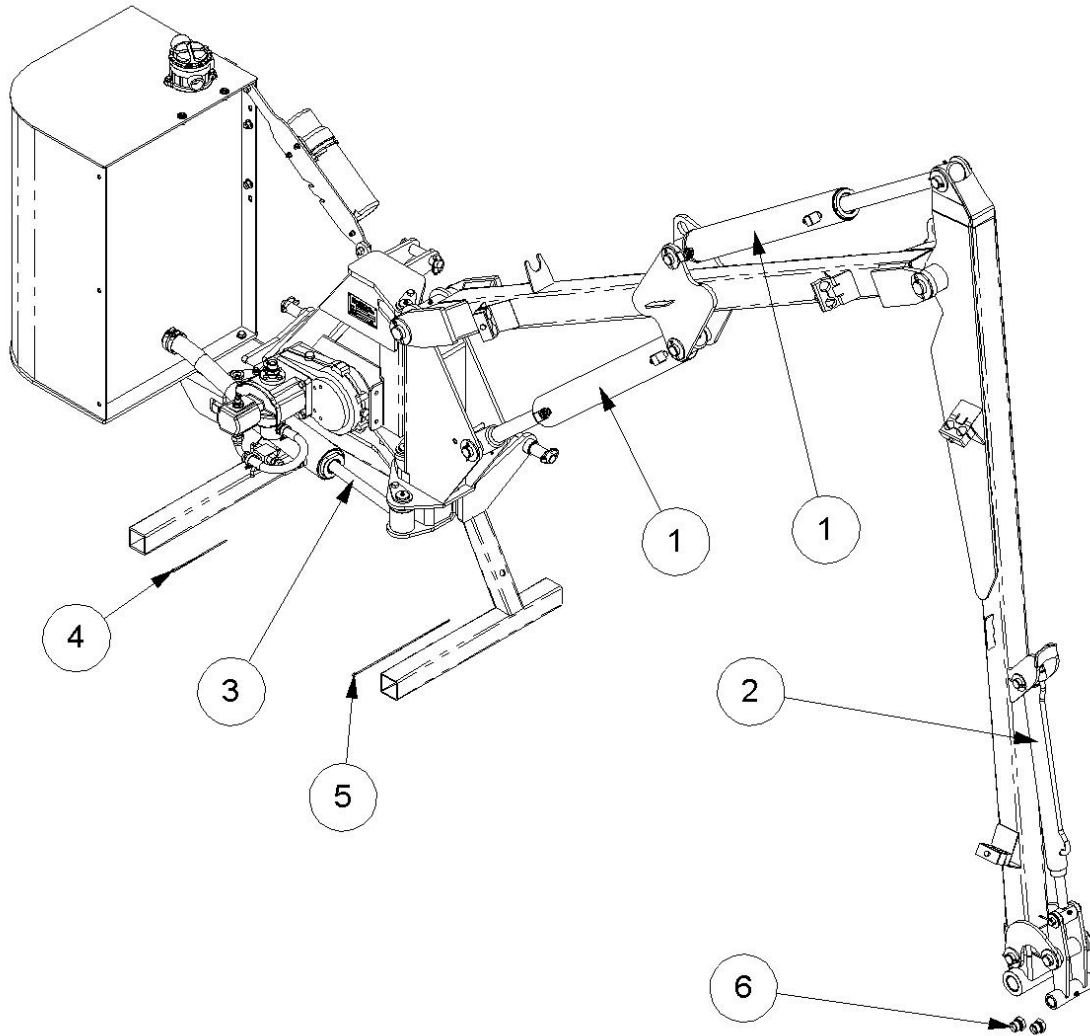
# 7146733 - PILLAR MODULE



| Ref | Part No   | Description | QTY |
|-----|-----------|-------------|-----|
| 1   | 05.281.18 | WASHER      | 2   |
| 2   | 0901121   | GREASER     | 2   |
| 3   | 22002.03  | PIN         | 1   |
| 4   | 22039.02  | PILLAR      | 1   |
| 5   | 22040.02  | PIN W.A.    | 1   |

| <b>Ref</b> | <b>Part No</b> | <b>Description</b> | <b>QTY</b> |
|------------|----------------|--------------------|------------|
| 6          | 9163005        | NUT                | 1          |
| 7          | 9313065        | SCREW              | 1          |
| 8          | 9501406        | PIN                | 2          |
| 9          | 7213023        | BUSH               | 2          |

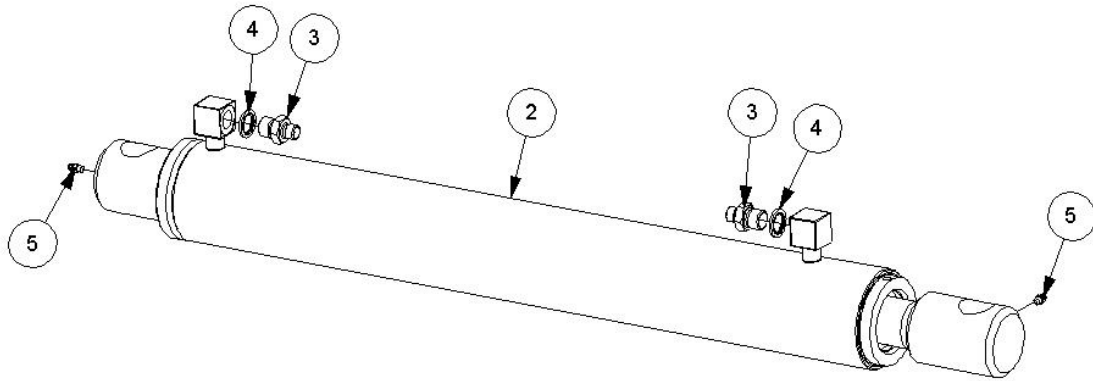
# 7146738 - HYD INST



| Ref | Part No   | Description | QTY |
|-----|-----------|-------------|-----|
| 1   | 22006.01  | RAM         | 2   |
| 2   | 7191072   | RAM         | 1   |
| 3   | 45288.07  | RAM         | 1   |
| 4   | 7135084   | HOSE TIE    | 10  |
| 5   | 7196045   | HOSE TIE    | 20  |
| 6   | 05.313.01 | ADAPTOR     | 2   |

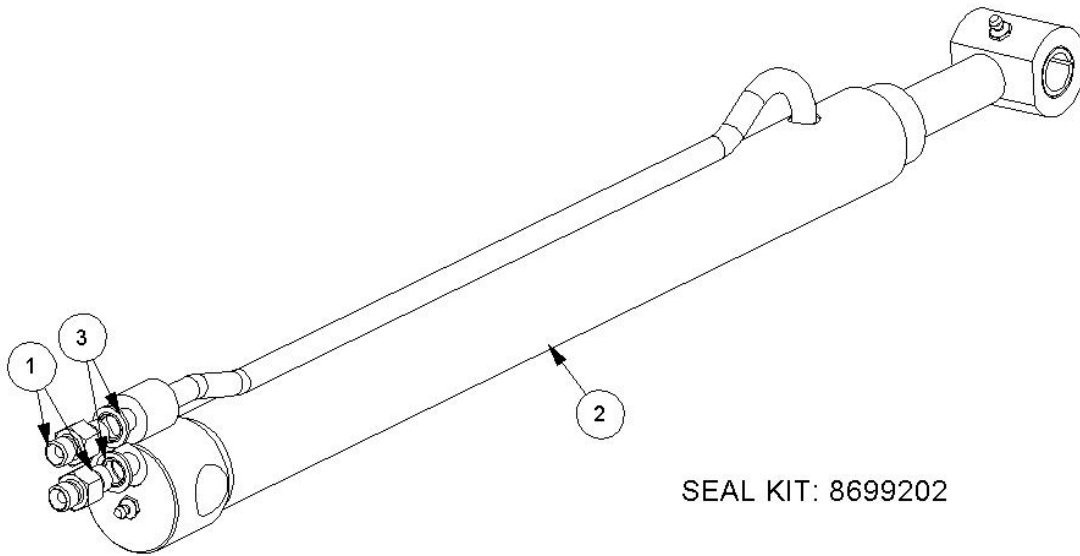


# 22006.01 - RAM



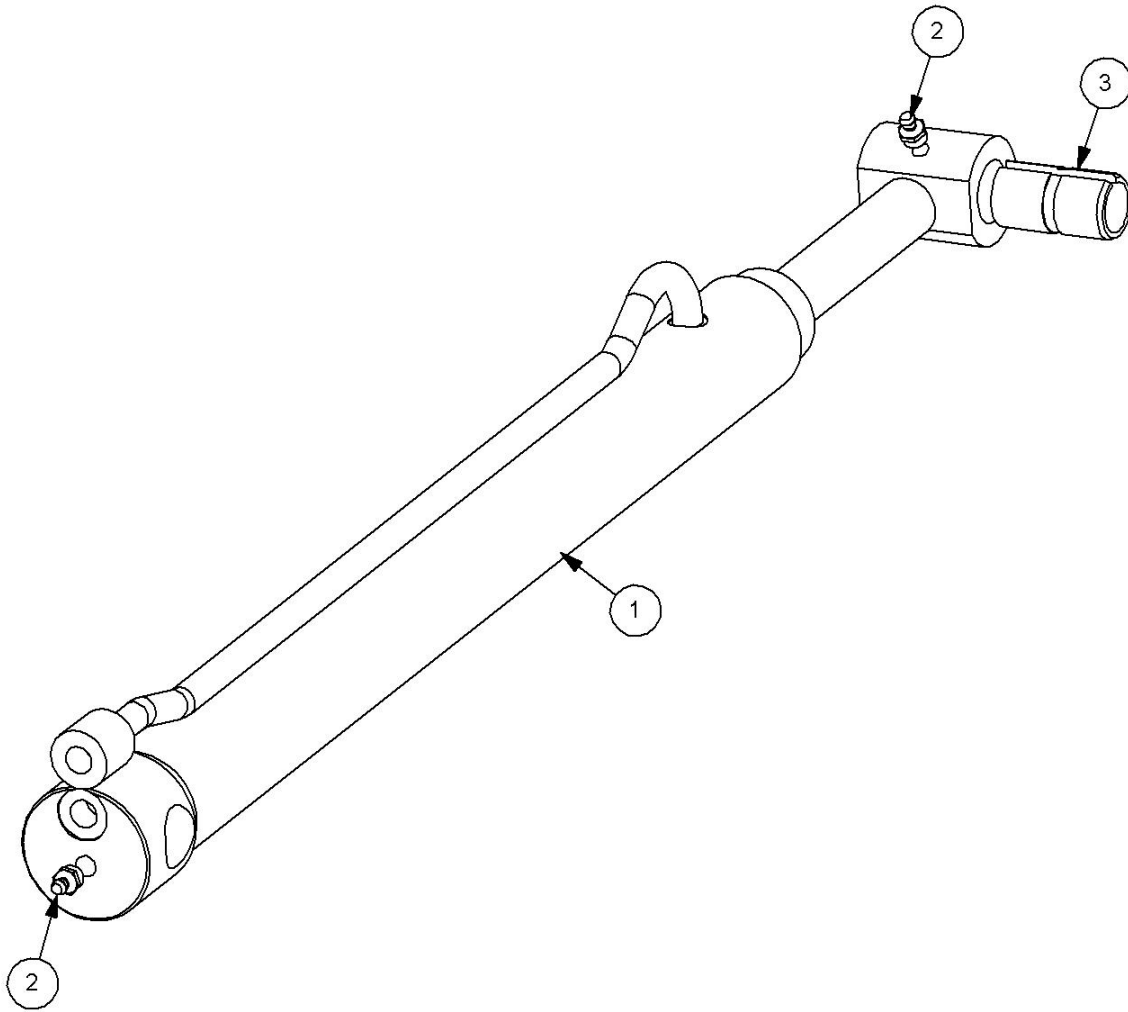
| Ref | Part No   | Description | QTY |
|-----|-----------|-------------|-----|
| 1   | 48079.25  | SEAL KIT    | 0   |
| 2   | 48079.01  | RAM ASSY    | 1   |
| 2   | 48079.01P | PAINTED RAM | 0   |
| 3   | 8581115   | ADAPTOR     | 2   |
| 4   | 8650103   | SEAL        | 2   |
| 5   | 0901161   | GREASER     | 2   |

# 7191072 - RAM



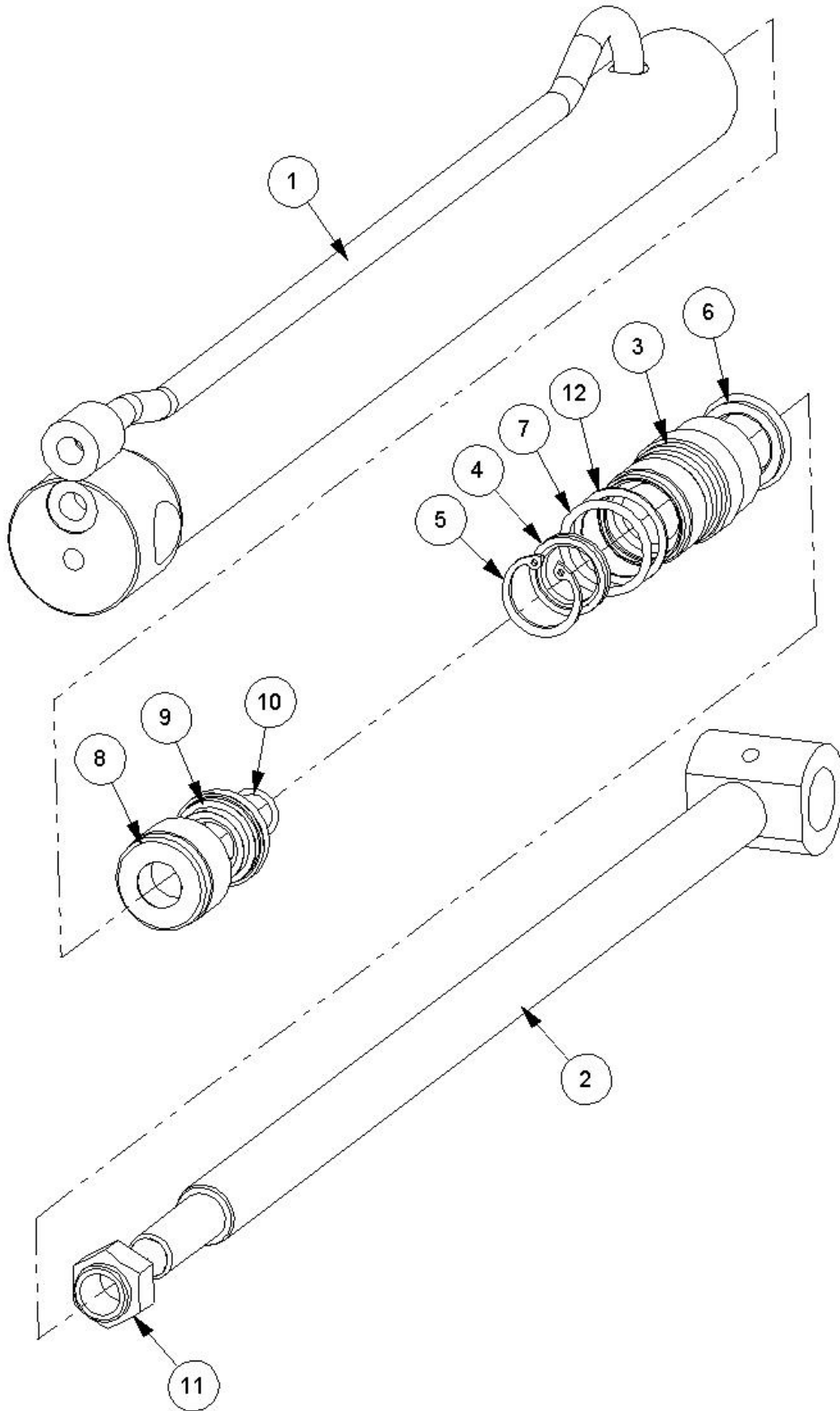
| Ref | Part No        | Description | QTY |
|-----|----------------|-------------|-----|
| 1   | 8130037        | RESTRICTOR  | 2   |
| 2   | <b>7191295</b> | RAM         | 1   |
| 3   | 8650102        | SEAL        | 2   |
| 4   | 8699202        | SEAL KIT    | 0   |

# 7191295 - RAM



| Ref | Part No          | Description  | QTY |
|-----|------------------|--------------|-----|
| 1   | <b>7191295AP</b> | RAM          | 1   |
| 1   | 7191295P         | RAM -PAINTED | 0   |
| 1   | 8699202          | SEAL KIT     | 0   |
| 12  | 0901121          | GREASER      | 2   |
| 13  | 1130002          | BUSH         | 1   |

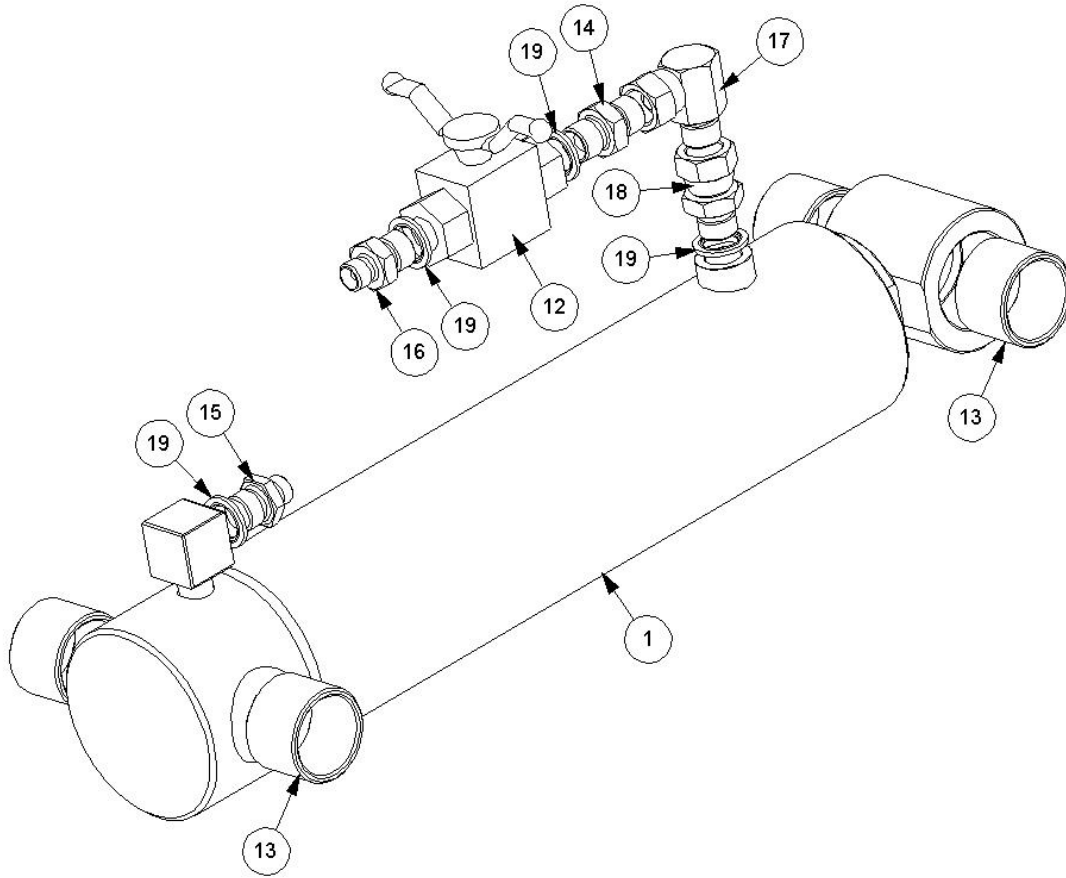
# 7191295AP - RAM



| Ref | Part No | Description | QTY |
|-----|---------|-------------|-----|
| 1   | 7191296 | BARREL      | 1   |

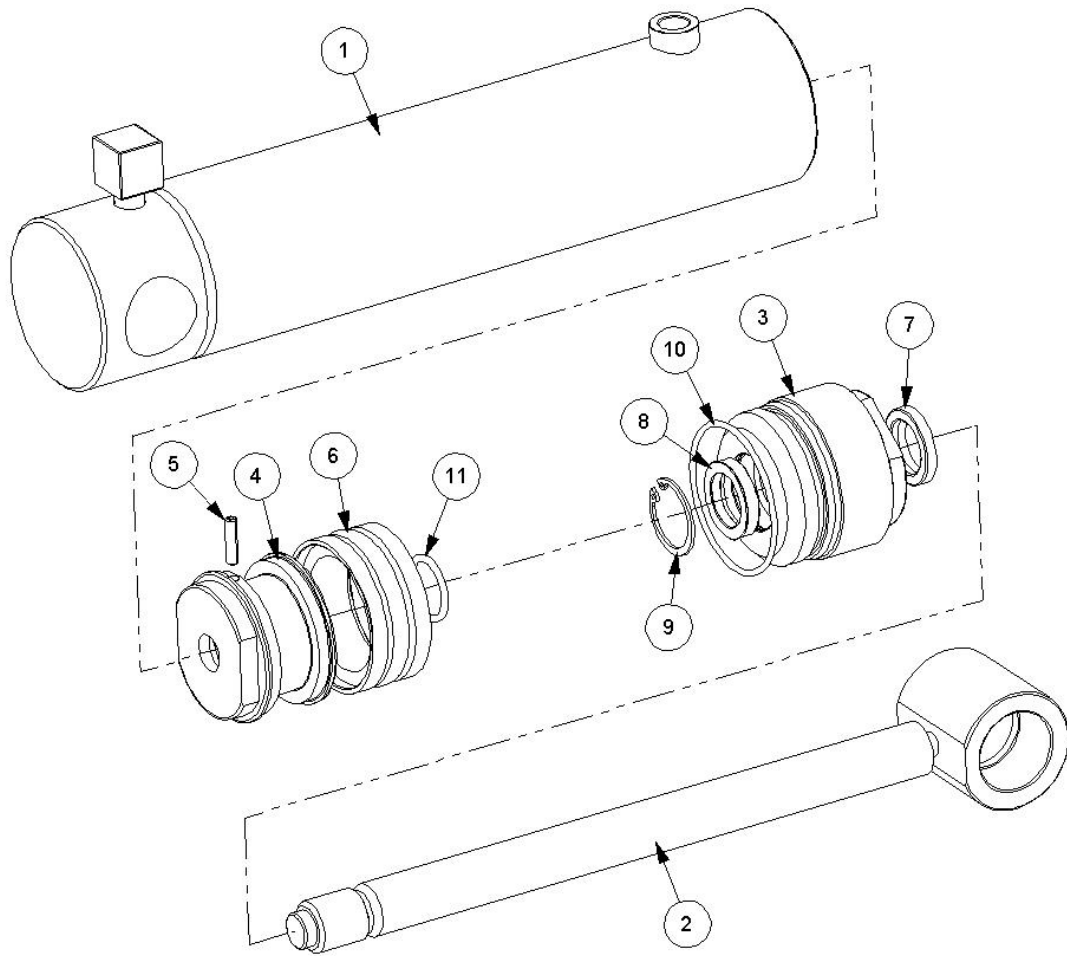
| Ref | Part No | Description | QTY |
|-----|---------|-------------|-----|
| 2   | 1090031 | PISTON ROD  | 1   |
| 3   | 1090273 | HOUSING     | 1   |
| 4   | 8629162 | SEAL        | 1   |
| 5   | 0411234 | CIRCLIP     | 1   |
| 6   | 8629161 | SEAL        | 1   |
| 7   | 8600124 | O-RING      | 1   |
| 8   | 1090034 | USE 1130034 | 2   |
| 9   | 8629160 | SEAL        | 1   |
| 10  | 8600112 | O RING      | 1   |
| 11  | 0141007 | NUT         | 1   |
| 12  | 8609124 | AE RING     | 1   |

# 45288.07 - RAM



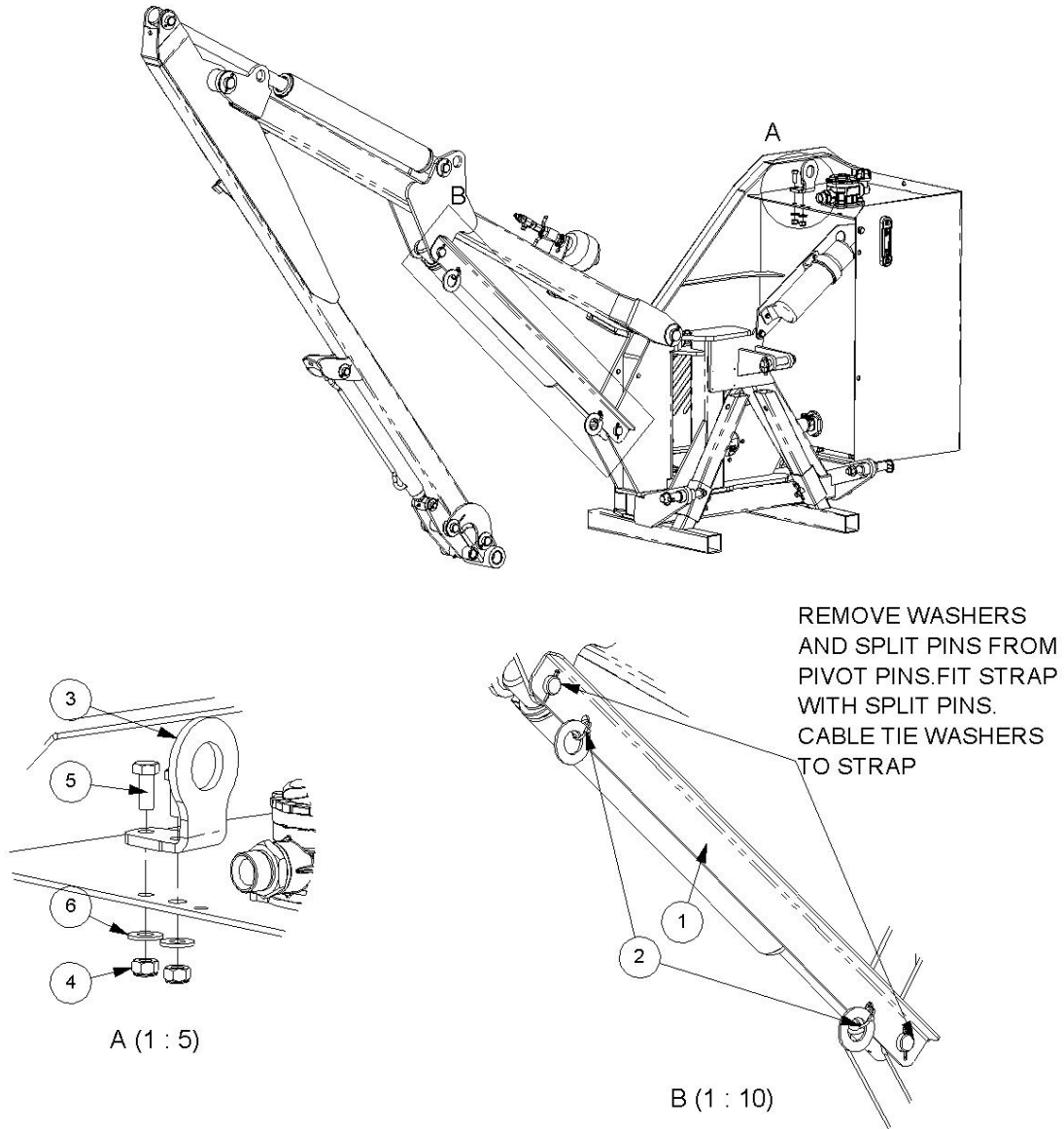
| Ref | Part No           | Description  | QTY |
|-----|-------------------|--------------|-----|
| 1   | <b>45288.05AP</b> | RAM          | 1   |
| 1   | 45288.05P         | RAM -PAINTED | 0   |
| 12  | 08.200.01         | VALVE        | 1   |
| 13  | 08.297.05         | BUSH         | 4   |
| 14  | 6000113           | ADAPTOR      | 1   |
| 15  | 8130066           | RESTRICTOR   | 1   |
| 16  | 8581115           | ADAPTOR      | 1   |
| 17  | 8581117           | CONNECTOR    | 1   |
| 18  | 8581178           | ADAPTOR      | 1   |
| 19  | 8650103           | SEAL         | 4   |

# 45288.05AP - RAM



| Ref | Part No  | Description  | QTY |
|-----|----------|--------------|-----|
| 1   | 45273.05 | BARREL       | 1   |
| 2   | 45275.01 | PISTON ROD   | 1   |
| 3   | 45283.01 | HOUSING      | 1   |
| 4   | 45276.01 | PISTON       | 1   |
| 5   | 42775.01 | DOWEL        | 1   |
| 6   | 8638740  | SEAL         | 1   |
| 7   | 8629149  | SCRAPER RING | 1   |
| 8   | 8629148  | SEAL         | 1   |
| 9   | 0416240  | CIRCLIP      | 1   |
| 10  | 8700740  | "O" RING     | 1   |
| 11  | 8600121  | "O" RING     | 1   |

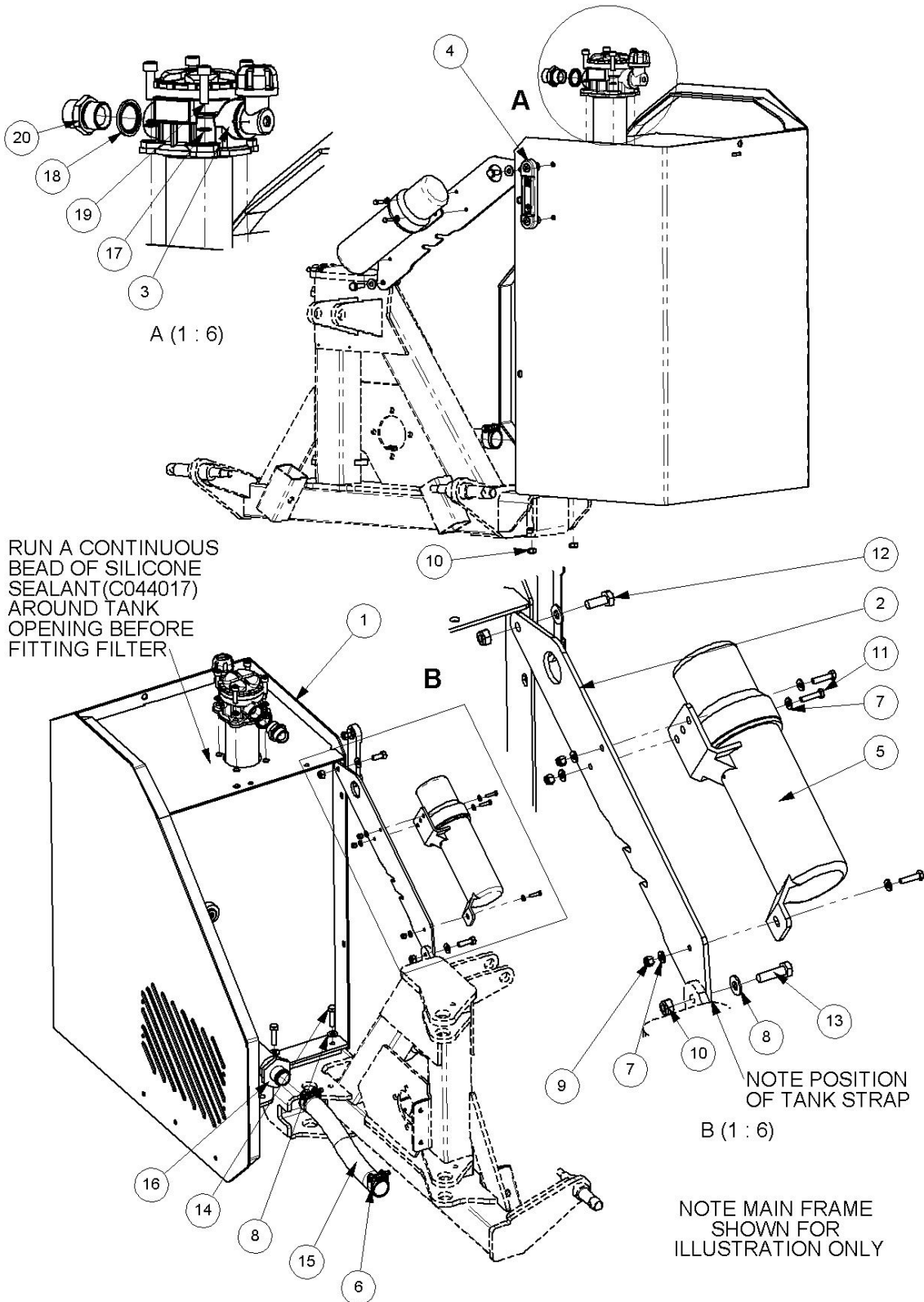
# 7146740 - PACKING MODULE - 35SRS



| Ref | Part No  | Description | QTY |
|-----|----------|-------------|-----|
| 1   | 22633.02 | STRAP       | 1   |
| 2   | 7135084  | HOSE TIE    | 2   |
| 3   | 22266.01 | LIFTING EYE | 1   |
| 4   | 9163006  | NUT         | 2   |
| 5   | 9313066  | SCREW       | 2   |
| 6   | 9100106  | WASHER      | 2   |



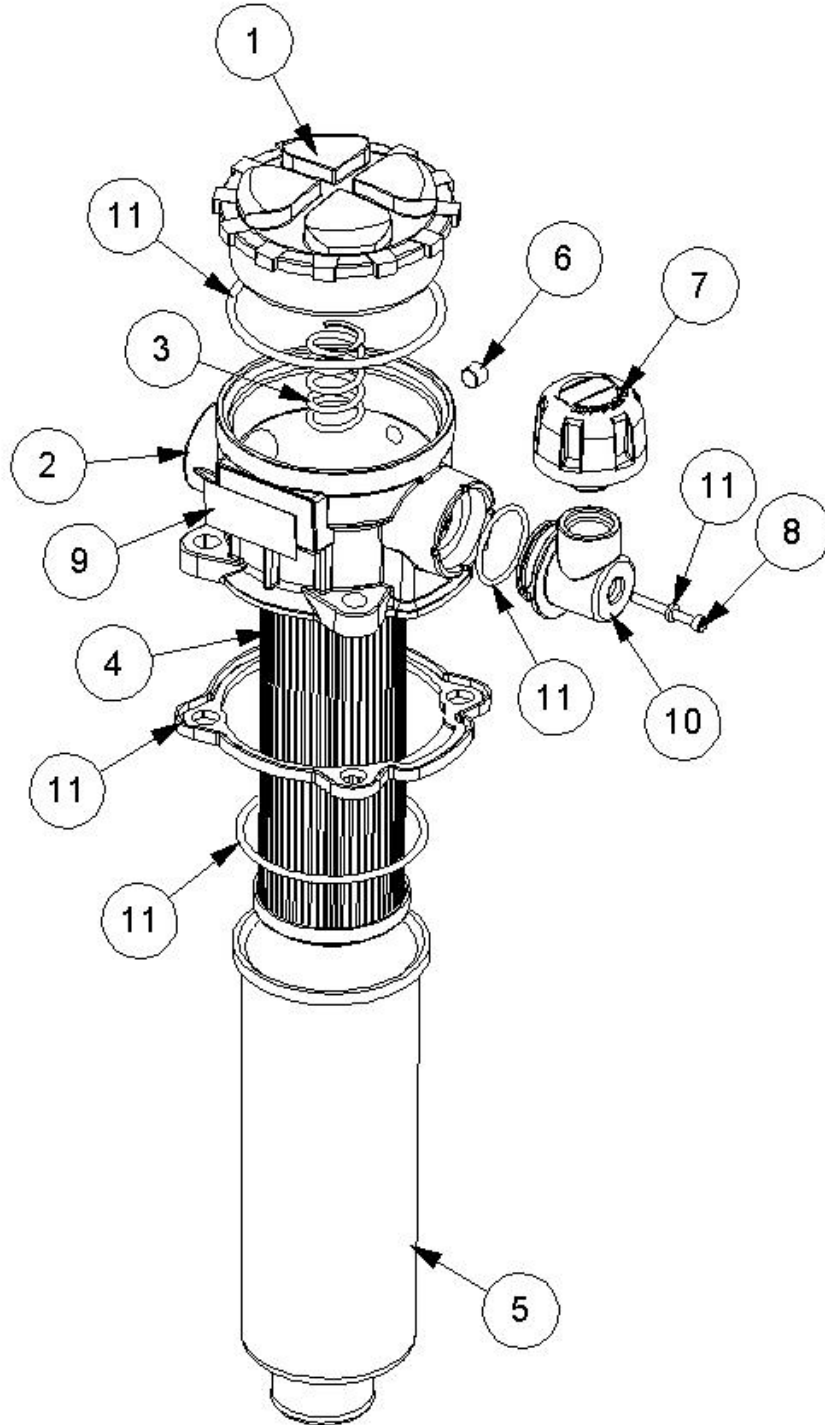
# 7146786 - RH TANK MODULE



| Ref | Part No        | Description | QTY |
|-----|----------------|-------------|-----|
| 1   | 21991.06       | RH TANK     | 1   |
| 2   | 21993.02       | TANK STRAP  | 1   |
| 3   | <b>8401168</b> | FILTER      | 1   |
| 4   | 8401048        | GAUGE       | 1   |
| 5   | 46505.01       | HOLDER      | 1   |

| Ref | Part No   | Description           | QTY |
|-----|-----------|-----------------------|-----|
| 6   | 0907051   | HEAVY DUTY HOSE CLAMP | 2   |
| 7   | 9100103   | WASHER                | 6   |
| 8   | 9100105   | WASHER                | 4   |
| 9   | 9163003   | NUT                   | 3   |
| 10  | 9163005   | NUT                   | 4   |
| 11  | 9313053   | SCREW                 | 3   |
| 12  | 9313055   | SCREW                 | 1   |
| 13  | 9313075   | SCREW                 | 1   |
| 14  | 9313095   | SETSCREW              | 2   |
| 15  | 8501473   | SUCTION HOSE          | 1   |
| 16  | 8401170   | STRAINER              | 1   |
| 17  | 8650310   | SEAL                  | 4   |
| 18  | 8650108   | SEAL                  | 1   |
| 19  | 9343075   | SCREW                 | 4   |
| 20  | 05.434.01 | ADAPTOR               | 1   |

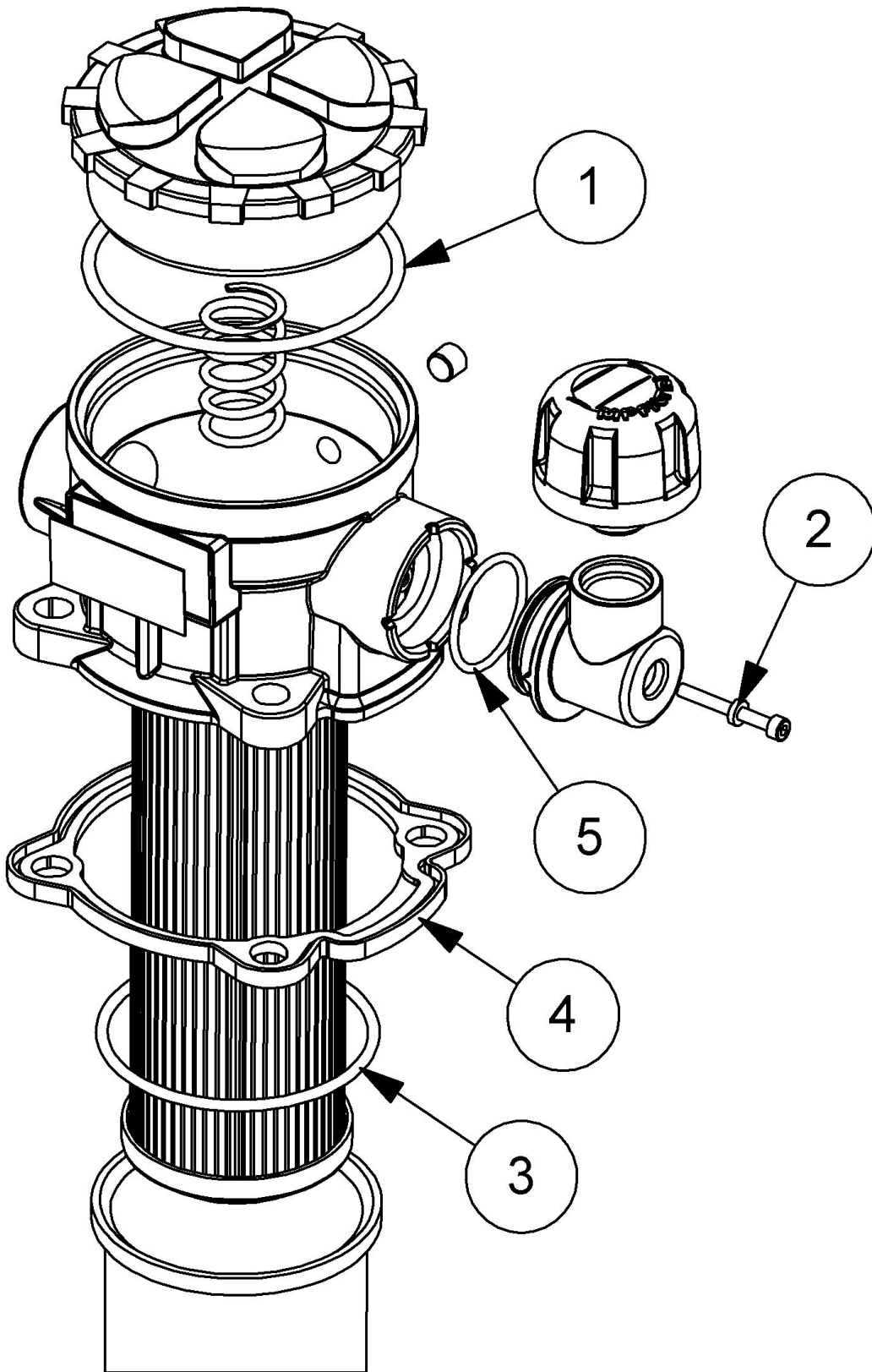
# 8401168 - FILTER



| Ref | Part No    | Description   | QTY |
|-----|------------|---------------|-----|
| 1   | 212.013.04 | FILLER CAP    | 1   |
| 2   | 8401187    | HOUSING       | 1   |
| 3   | 8401158    | FILTER SPRING | 1   |
| 4   | 8401164    | USE 8401095   | 1   |
| 5   | 8401165    | FILTER BOWL   | 1   |

| Ref | Part No        | Description          | QTY |
|-----|----------------|----------------------|-----|
| 6   | 8401166        | FILTER GRUB SCREW    | 1   |
| 7   | 8401182        | BREATHER CAP+FILTER  | 1   |
| 8   | 8401184        | CAP SCREW            | 1   |
| 9   | 8401167        | IDENTIFICATION PLATE | 1   |
| 10  | 8401183        | ELBOW                | 1   |
| 11  | <b>8699294</b> | FILTER SEAL KIT      | 0   |

# 8699294 - FILTER SEAL KIT

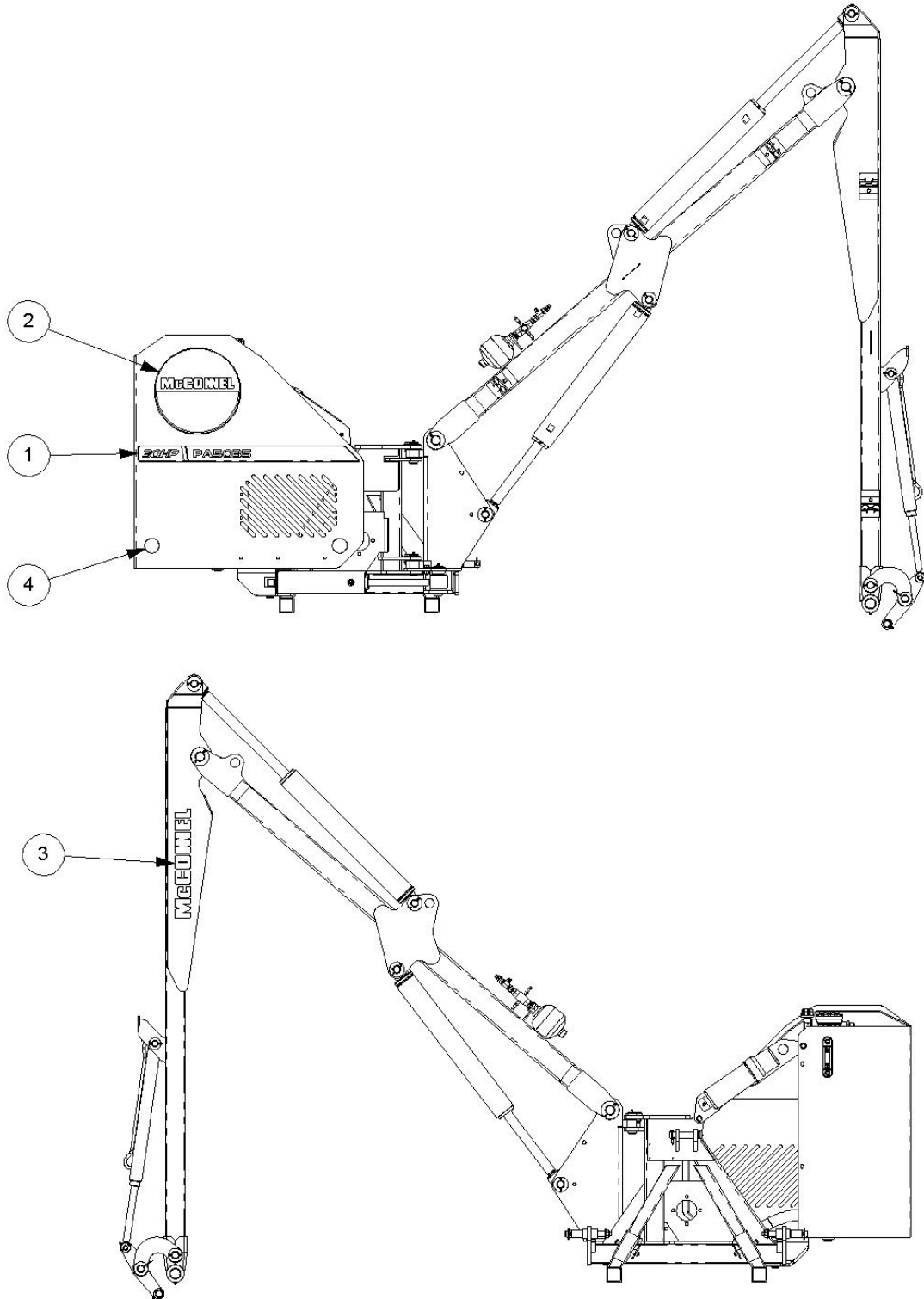


| Ref | Part No | Description                    | QTY |
|-----|---------|--------------------------------|-----|
| 1   | 8700092 | O RING                         | 1   |
| 2   | 8401186 | CAP SCREW SEAL                 | 1   |
| 3   | 8700235 | O RING                         | 1   |
| 4   | 8401188 | SEAL NOT AVAILABLE USE 8699294 | 1   |

| Ref | Part No | Description | QTY |
|-----|---------|-------------|-----|
| 5   | 8401185 | ORING SEAL  | 1   |

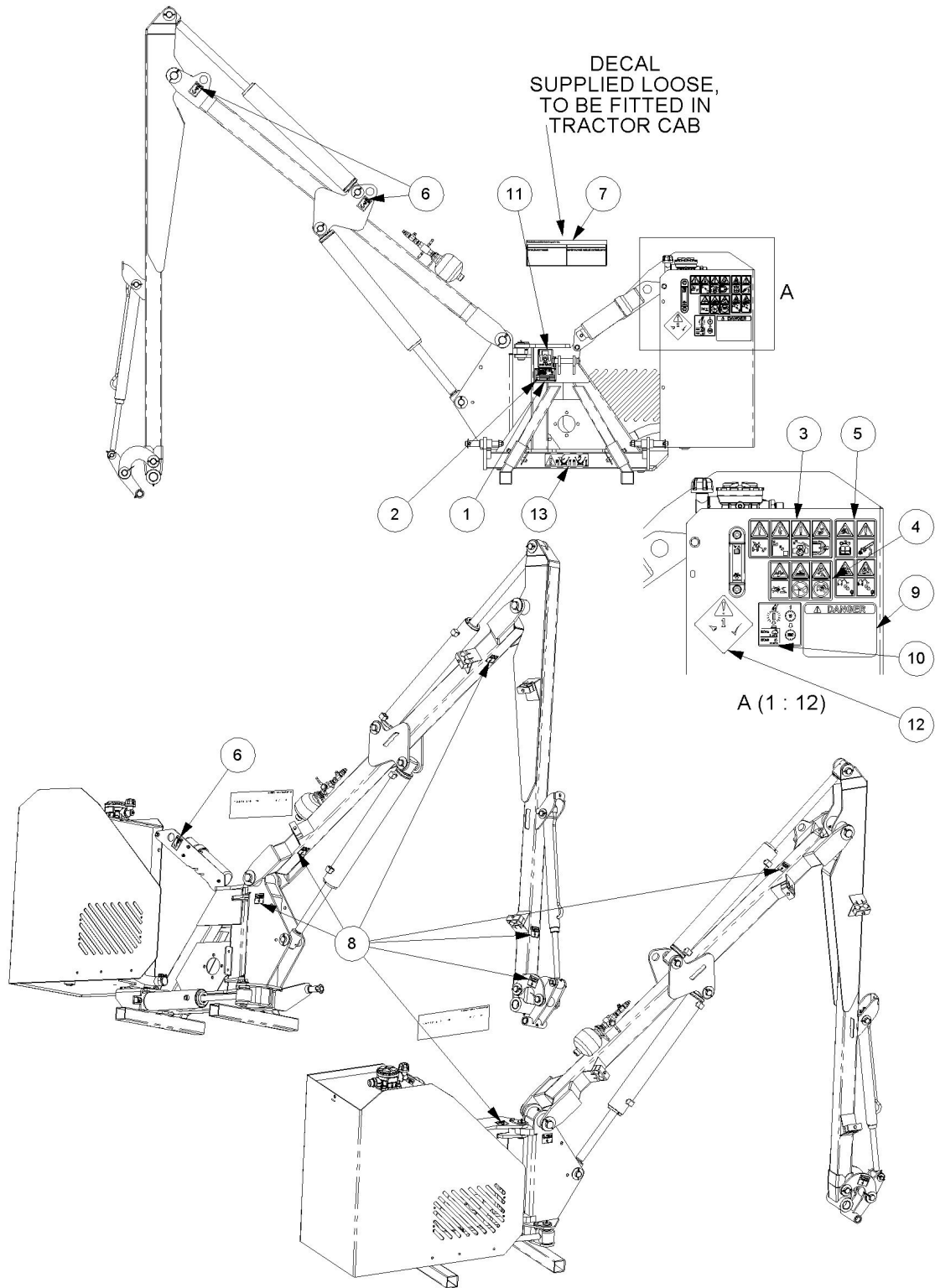
# 7146794 - DECALS KIT-PA5035-30

## RH



| Ref | Part No  | Description                    | QTY |
|-----|----------|--------------------------------|-----|
| 1   | 1291307  | DECAL-PA5035-30 RH             | 1   |
| 2   | 1291212  | DECAL - MCCONNEL ROUNDEL 350MM | 1   |
| 3   | 1290614  | DECAL                          | 1   |
| 4   | 45671.01 | REFLECTOR                      | 2   |

# 7146795 - DECALS KIT- WARNINGS/INST'NS



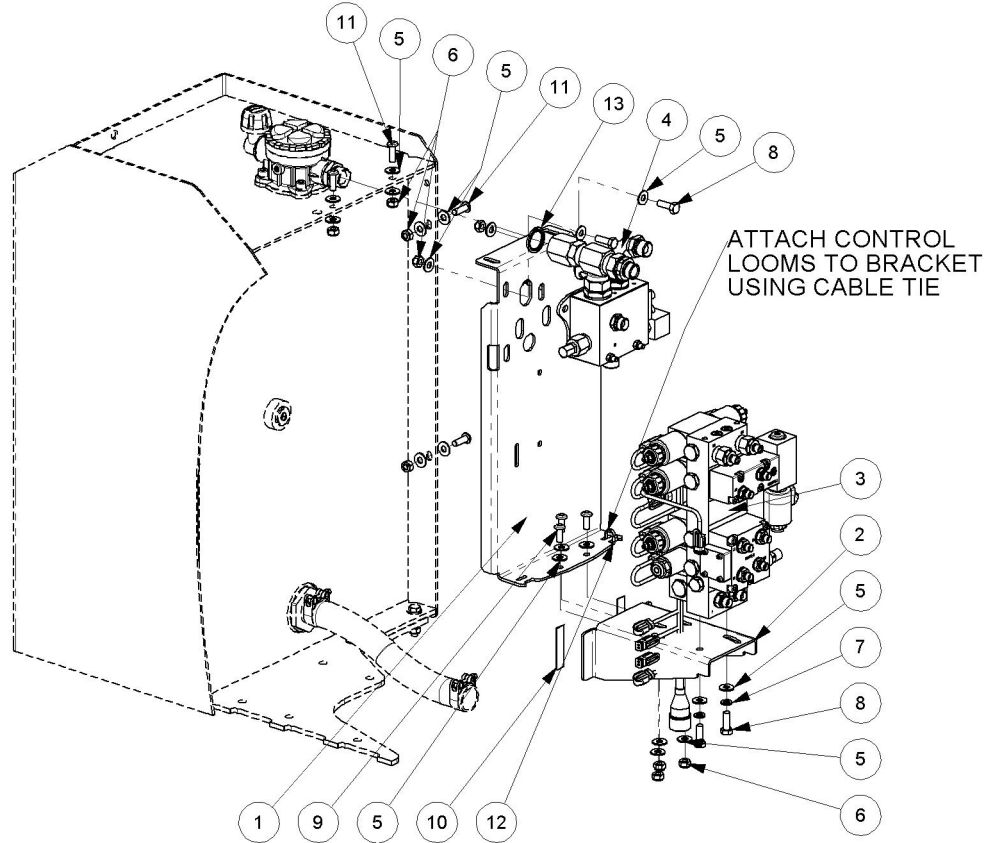
| Ref | Part No   | Description      | QTY |
|-----|-----------|------------------|-----|
| 1   | 1335246   | SERIAL No. PLATE | 1   |
| 2   | 7103230   | RIVET            | 4   |
| 3   | 09.821.28 | DECAL            | 1   |



| Ref | Part No   | Description          | QTY |
|-----|-----------|----------------------|-----|
| 4   | 09.821.32 | DECAL                | 1   |
| 5   | 09.821.35 | DECAL                | 1   |
| 6   | 09.843.05 | DECAL                | 3   |
| 7   | 1290352   | DECAL                | 1   |
| 8   | 02962764  | DECAL                | 7   |
| 9   | 00756494  | DECAL                | 1   |
| 10  | 1290774   | DECAL                | 1   |
| 11  | 23832.01  | DECAL-540 PTO MAX CW | 1   |
| 12  | 7105130   | DECAL                | 1   |
| 13  | 7135295   | DECAL                | 1   |

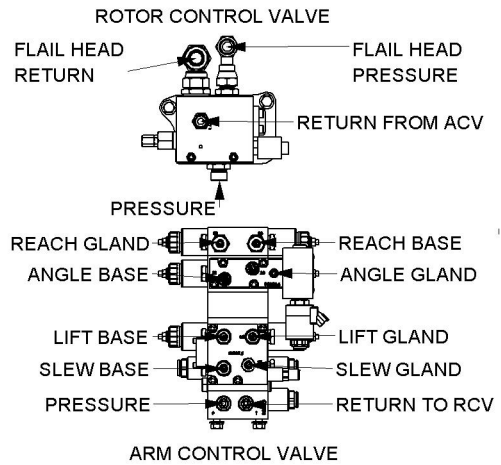
# 7146799 - RH PROP ACV-ON/OFF ERCV ASSY

NOTE TANK SHOWN FOR ILLUSTRATION ONLY



**ASSEMBLY OF VALVES TO TANK.**

1. ATTACH ROTOR CONTROL VALVE TO MOUNTING BRACKET 21992.11 AND TIGHTEN FASTENERS TO A POINT AT WHICH THE VALVE IS NOT LOOSE, BUT IT WILL SLIDE UP AND DOWN.
2. ATTACH THIS ASSEMBLY TO THE TANK WITH FASTENERS, AGAIN TIGHTENING THEM TO A POINT AT WHICH THE COMPLETE ASSEMBLY WILL STILL SLIDE.
4. CONNECT THE ELBOW ON THE ROTOR CONTROL VALVE TO THE RETURN FILTER AND TIGHTEN.
5. TIGHTEN TILL LOCKED, ALL FASTENERS HOLDING THE 21992.11 BRACKET TO THE TANK.
6. TIGHTEN THE ROTOR CONTROL VALVE FASTENERS TILL LOCKED.
7. FIT DOUBLE SIDE TAPE TO THE ARM CONTROL VALVE BRACKET (21992.12). ATTACH TO BRACKET(21922.11) , TIGHTENING FASTENERS TO A POINT AT WHICH VALVE BRACKET (21992.12) WILL STILL SLIDE.
8. REMOVE BACKING FROM DOUBLE SIDED TAPE AND SLIDE BRACKET FIRMLY UP AGAINST TANK AND FULLY TIGHTEN FASTENERS.
9. BOLT ARM CONTROL VALVE TO BRACKET 21992.12

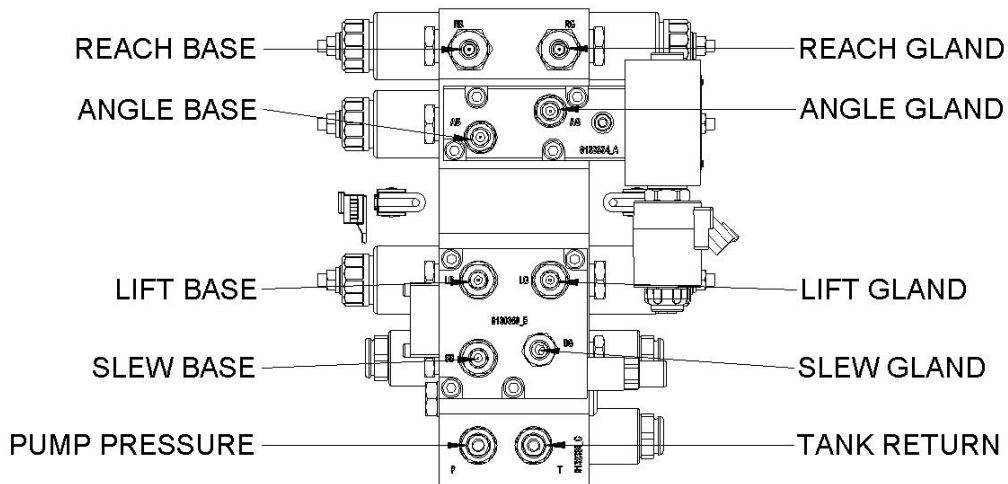
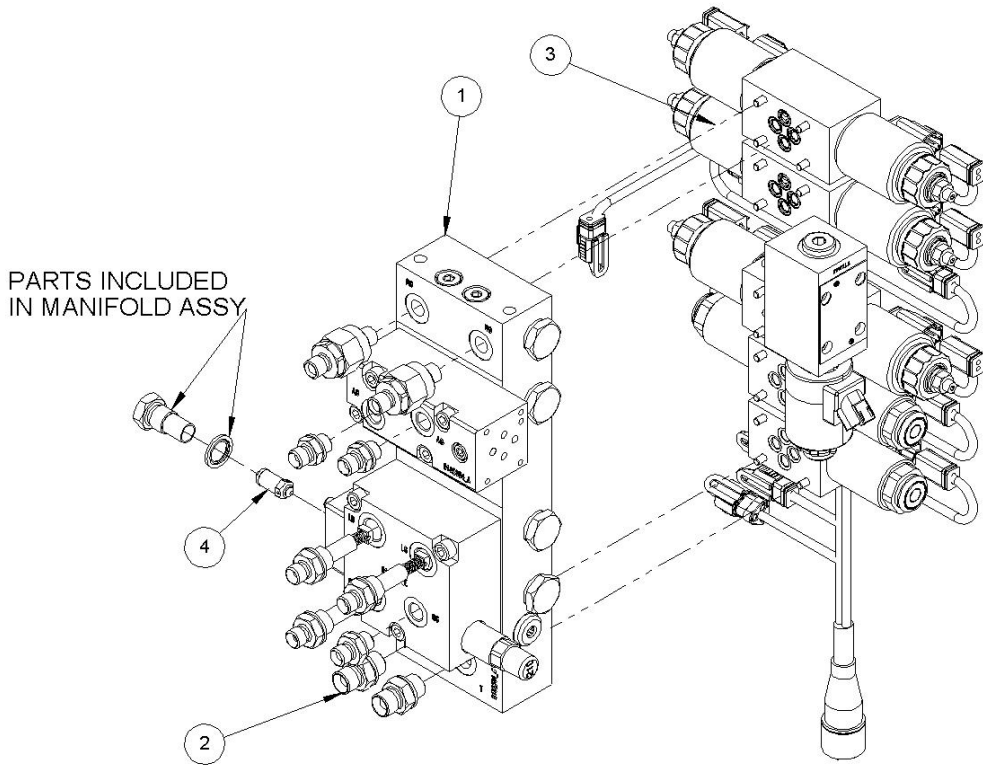


| Ref | Part No        | Description                 | QTY |
|-----|----------------|-----------------------------|-----|
| 1   | 21992.11       | RH VALVE MTG                | 1   |
| 2   | 21992.12       | RH ELEC ACV MTG BRKT        | 1   |
| 3   | <b>7146789</b> | PROP(NO ACB)ACV ASSY-4 BANK | 1   |
| 4   | <b>7146798</b> | ON-OFF ERCV ASSY            | 1   |

| <b>Ref</b> | <b>Part No</b> | <b>Description</b> | <b>QTY</b> |
|------------|----------------|--------------------|------------|
| 5          | 9100105        | WASHER             | 20         |
| 6          | 9163005        | NUT                | 9          |
| 7          | 9100205        | WASHER             | 2          |
| 8          | 9313065        | SCREW              | 4          |
| 9          | 9300154        | SCREW              | 3          |
| 10         | 24212.0075     | BONDING TAPE       | 2          |
| 11         | 9300166        | SCREW              | 4          |
| 12         | 7135084        | HOSE TIE           | 1          |
| 13         | 8650108        | SEAL               | 1          |

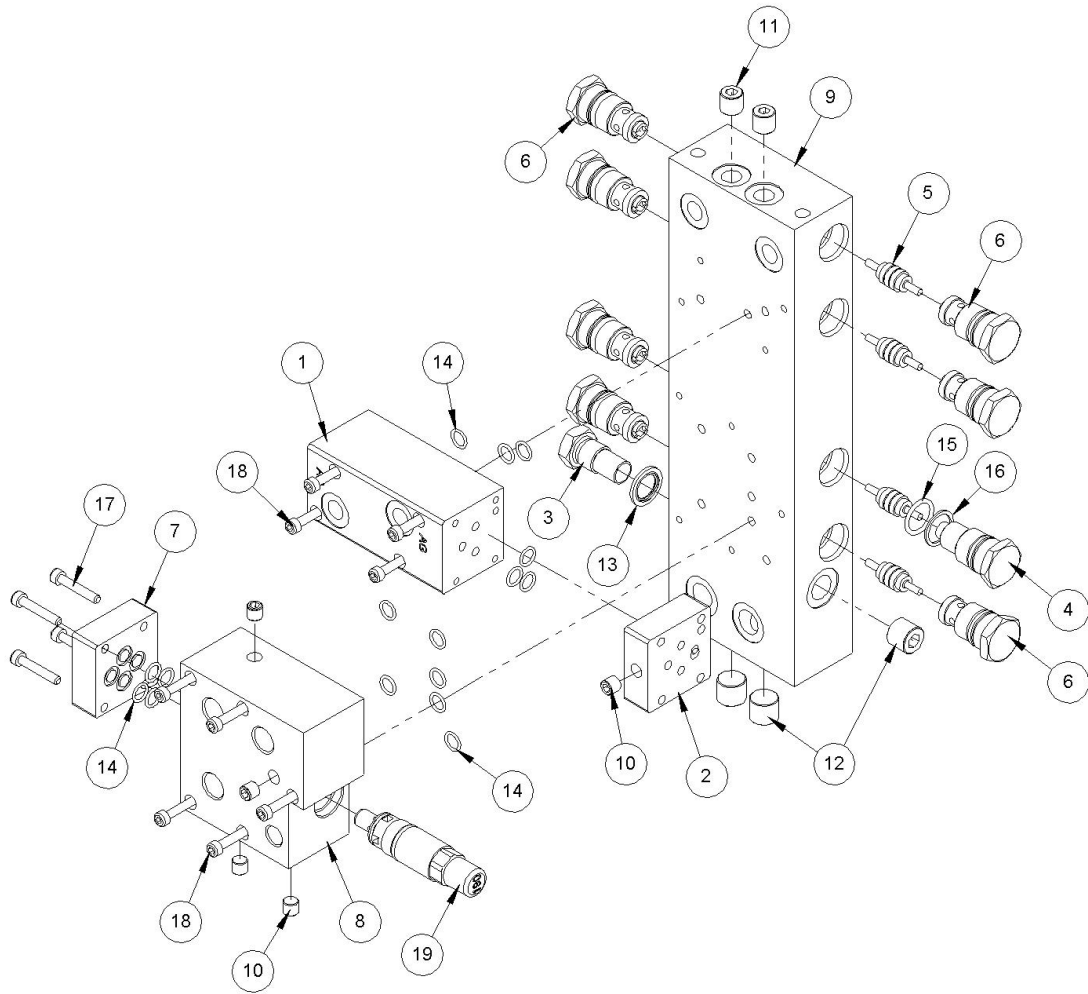
# 7146789 - PROP(NO ACB)ACV

## ASSY-4 BANK



| Ref | Part No  | Description          | QTY |
|-----|----------|----------------------|-----|
| 1   | 22523.12 | MANIFOLD ASSY        | 1   |
| 2   | 23180.51 | ADAPTOR KIT          | 1   |
| 3   | 22526.39 | CONTROL SOLENOID KIT | 1   |
| 4   | 8130092  | VALVE                | 1   |

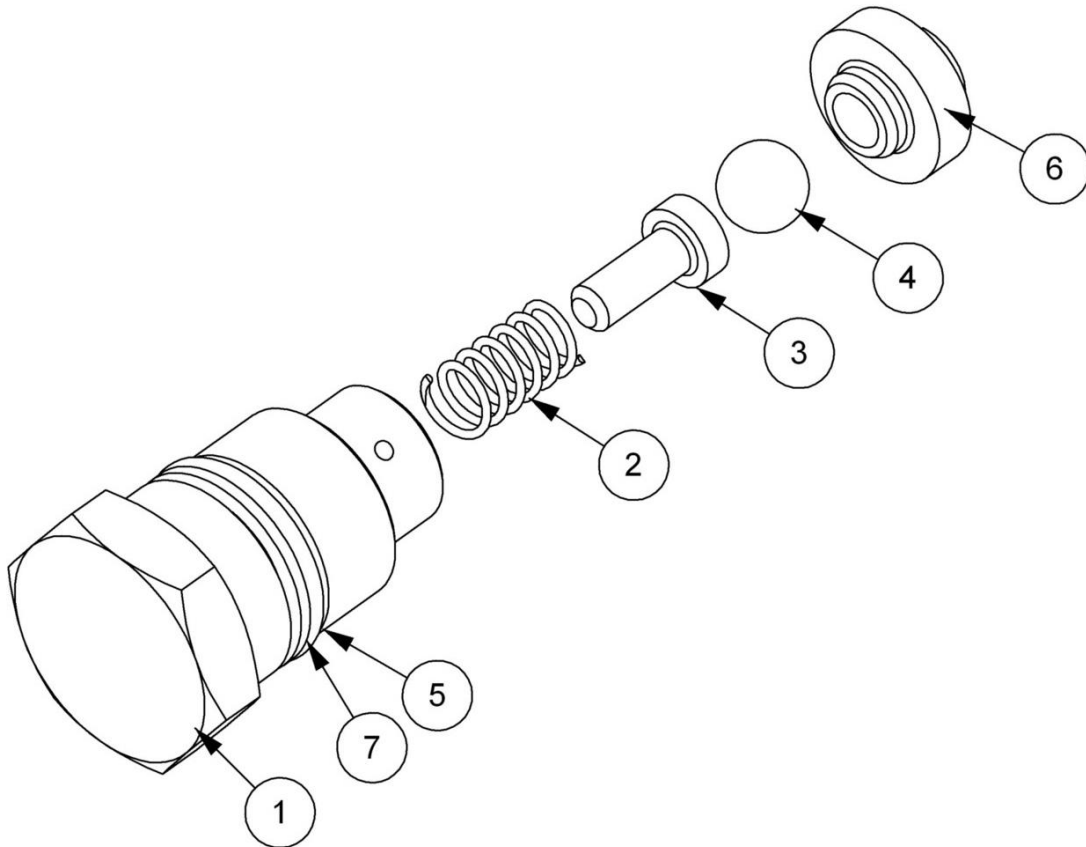
# 22523.12 - MANIFOLD ASSY



| Ref | Part No         | Description           | QTY |
|-----|-----------------|-----------------------|-----|
| 1   | 8132334         | FLOAT BLOCK           | 1   |
| 3   | 8130032         | CAP                   | 1   |
| 4   | 8130209         | CAP                   | 1   |
| 5   | 8130087         | ACTUATOR              | 4   |
| 6   | <b>8130090</b>  | VALVE                 | 7   |
| 7   | <b>8130139</b>  | PLATE                 | 1   |
| 8   | 8130360         | BLOCK-SLEW CIRCUIT    | 1   |
| 9   | 8132339         | 4 BANK MANIFOLD BLOCK | 1   |
| 10  | <b>23242.03</b> | PLUG                  | 2   |
| 11  | <b>23242.05</b> | PLUG                  | 2   |
| 12  | 8581436         | ADAPTOR               | 1   |
| 13  | 8650103         | SEAL                  | 1   |
| 14  | 8700511         | "O" RING              | 10  |
| 15  | 8700644         | "O" RING              | 1   |
| 16  | 8709644         | ANTI.EXT.RING         | 1   |
| 17  | 9243062         | SCREW                 | 4   |

| Ref | Part No         | Description  | QTY |
|-----|-----------------|--------------|-----|
| 18  | <b>9343104</b>  | SCREW        | 8   |
| 19  | 8130145         | RELIEF VALVE | 1   |
| 20  | <b>23242.06</b> | PLUG         | 2   |
| 21  | 8700516         | O RING       | 1   |
| 22  | 8700522         | O RING       | 1   |
| 23  | 8130088         | SEAT         | 1   |

# 8130090 - VALVE

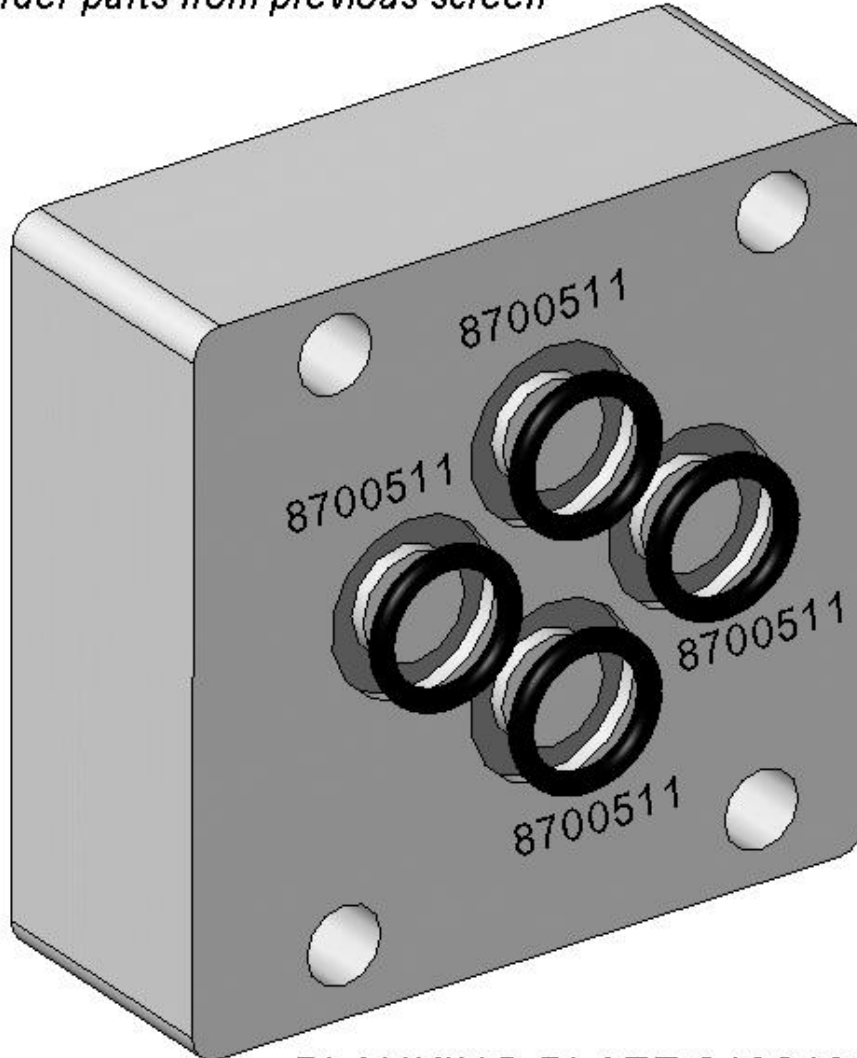


| Ref | Part No | Description   | QTY |
|-----|---------|---------------|-----|
| 1   | 8130025 | CAP           | 1   |
| 2   | 8114045 | SPRING        | 1   |
| 3   | 8130089 | GUIDE         | 1   |
| 4   | 0905509 | BALL          | 1   |
| 5   | 8700644 | "O" RING      | 1   |
| 6   | 8130088 | SEAT          | 1   |
| 7   | 8709644 | ANTI.EXT.RING | 1   |

# 8130139 - PLATE

## LOCATION & IDENTIFICATION OF 'O' RINGS

*Order parts from previous screen*

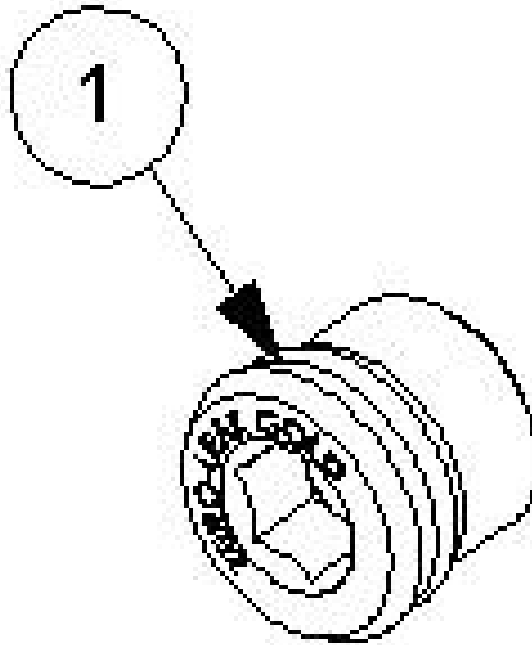


BLANKING PLATE 8130139

| Ref | Part No   | Description | QTY    |
|-----|-----------|-------------|--------|
| 1   | G2410620C | CAST STICK  | 25.004 |

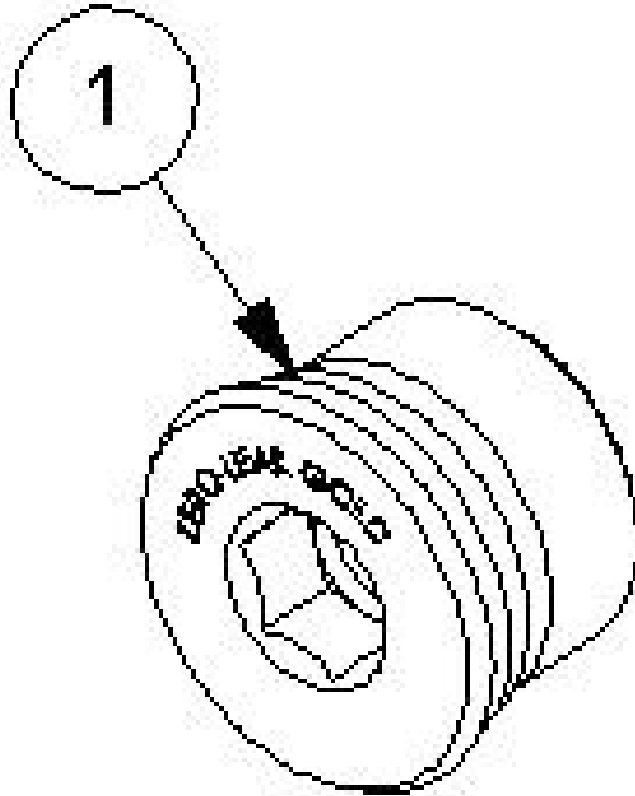


# 23242.03 - PLUG



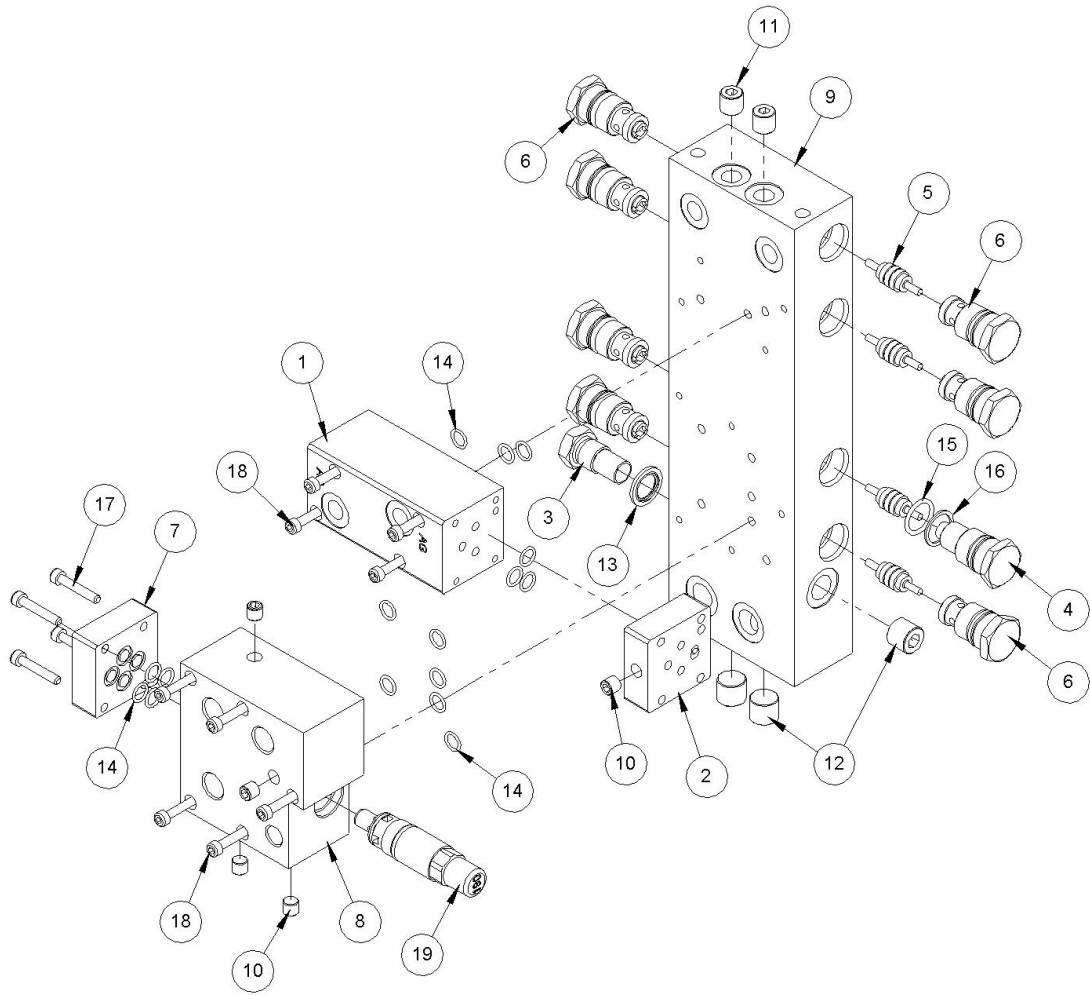
| Ref | Part No | Description | QTY |
|-----|---------|-------------|-----|
| 1   | 8700007 | O RING      | 1   |

# 23242.05 - PLUG

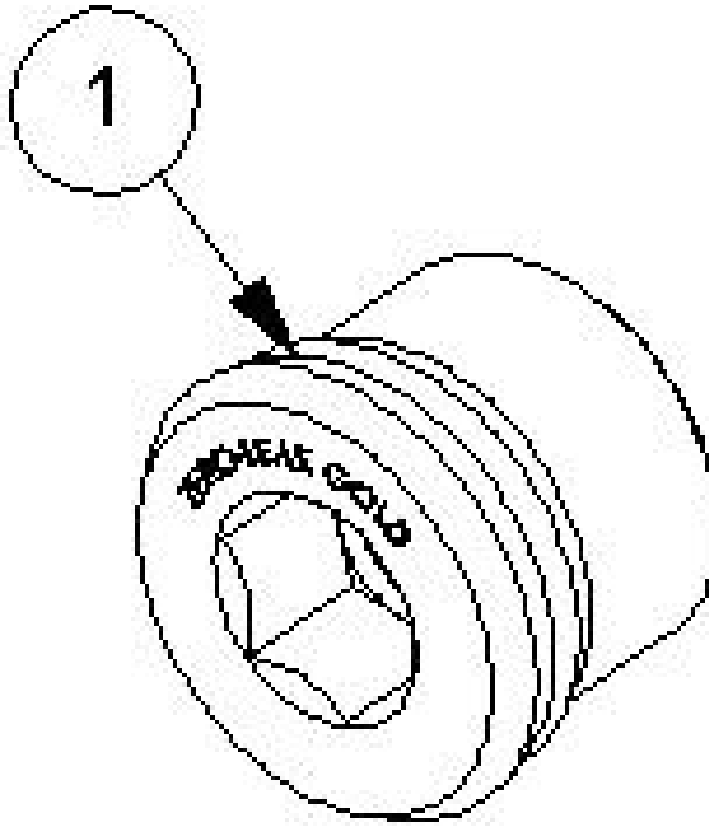


| Ref | Part No | Description | QTY |
|-----|---------|-------------|-----|
| 1   | 8700011 | I RING      | 1   |

# 9343104 - SCREW

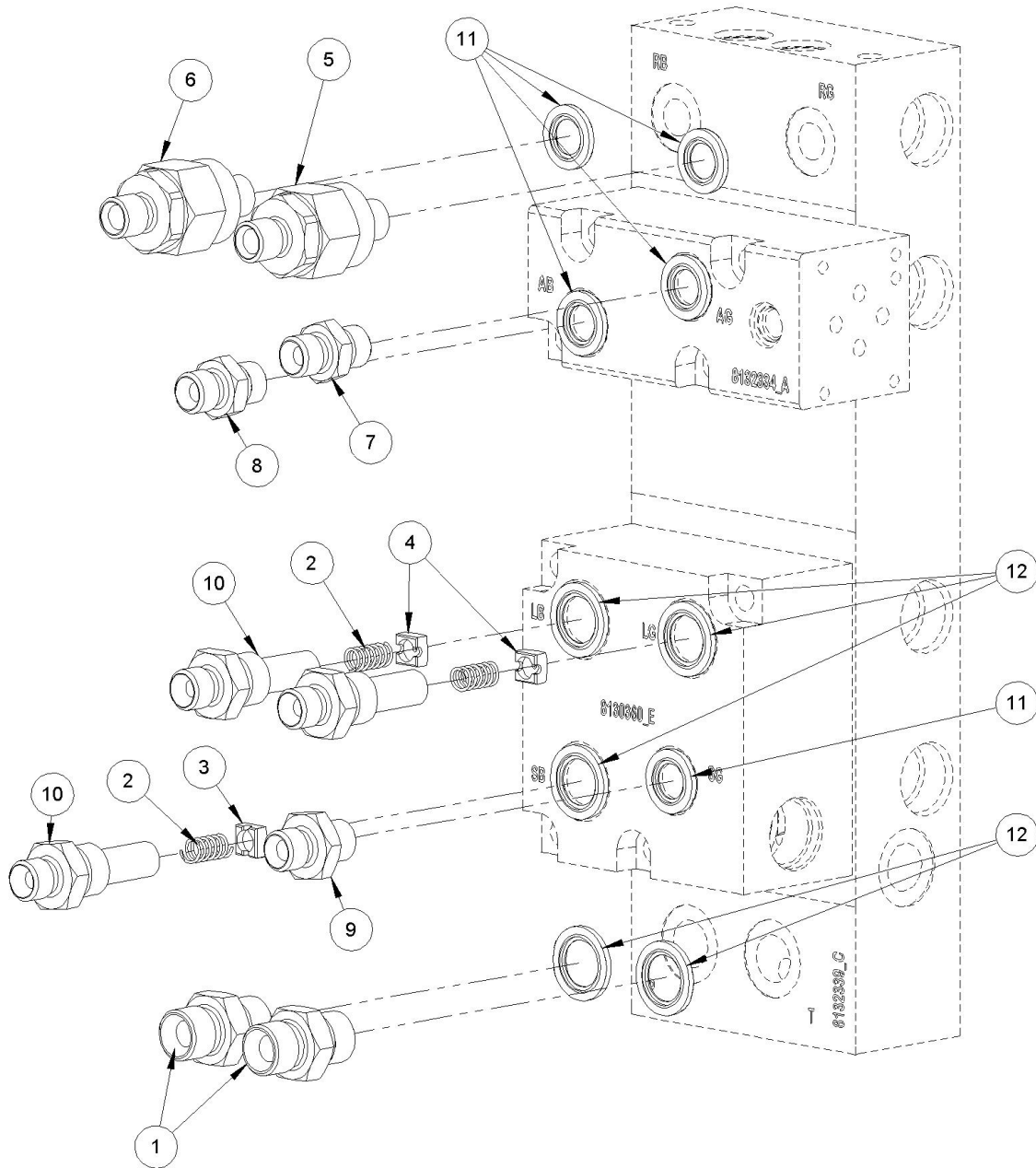


# 23242.06 - PLUG



| Ref | Part No | Description | QTY |
|-----|---------|-------------|-----|
| 1   | 8700013 | O RING      | 1   |

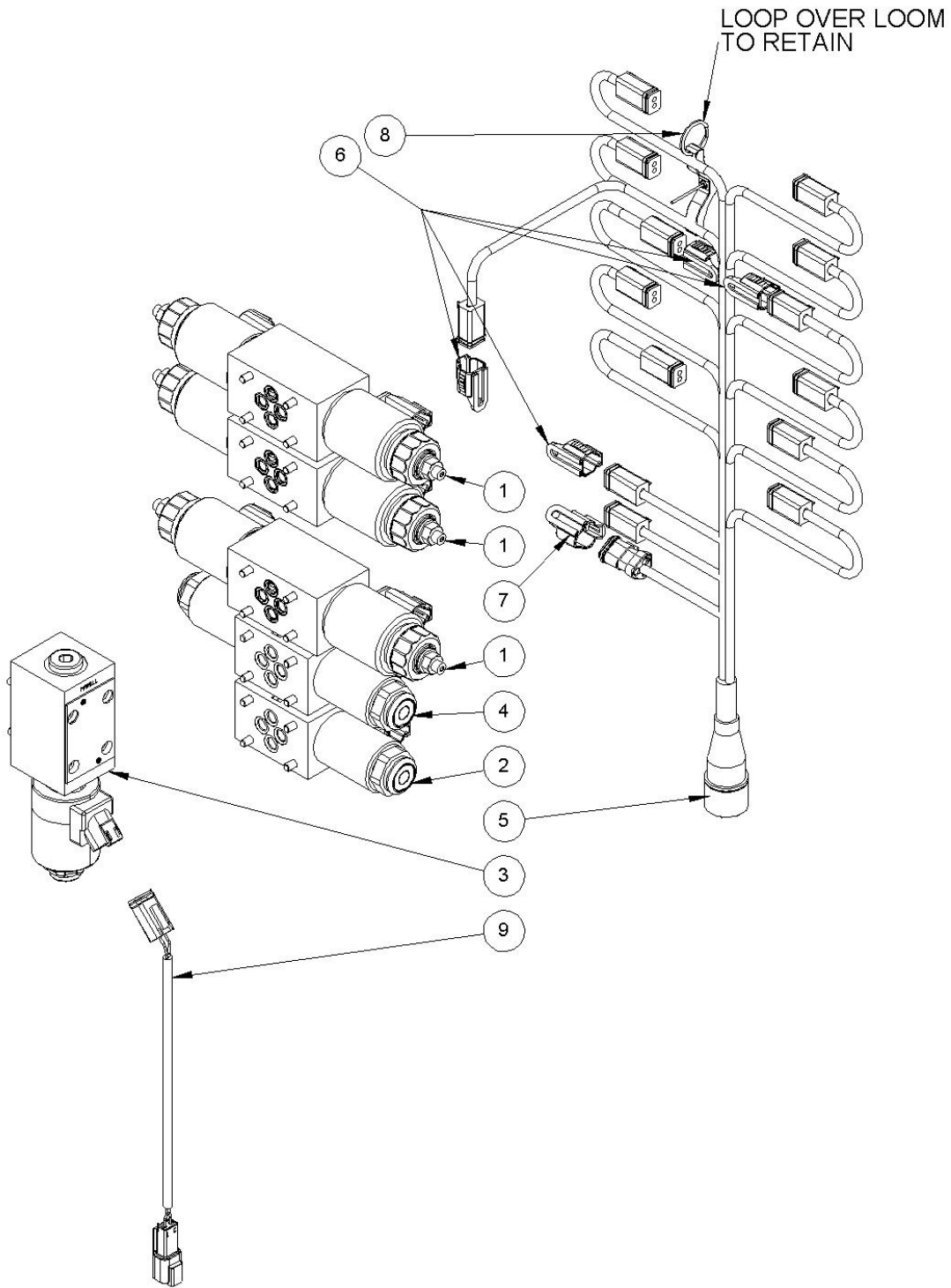
# 23180.51 - ADAPTOR KIT



| Ref | Part No | Description     | QTY |
|-----|---------|-----------------|-----|
| 1   | 6000113 | ADAPTOR         | 2   |
| 2   | 8116011 | SPRING          | 3   |
| 3   | 8123041 | RESTRICTOR DISC | 1   |
| 4   | 8123044 | RESTRICTOR      | 2   |
| 5   | 8123090 | RESTRICTOR      | 1   |
| 6   | 8123091 | RESTRICTOR      | 1   |
| 7   | 8130038 | RESTRICTOR      | 1   |
| 8   | 8130105 | RESTRICTOR      | 1   |
| 9   | 8581169 | ADAPTOR         | 1   |

| <b>Ref</b> | <b>Part No</b> | <b>Description</b> | <b>QTY</b> |
|------------|----------------|--------------------|------------|
| 10         | 8581210        | UNION              | 3          |
| 11         | 8650102        | SEAL               | 5          |
| 12         | 8650103        | SEAL               | 5          |

# 22526.39 - CONTROL SOLENOID KIT

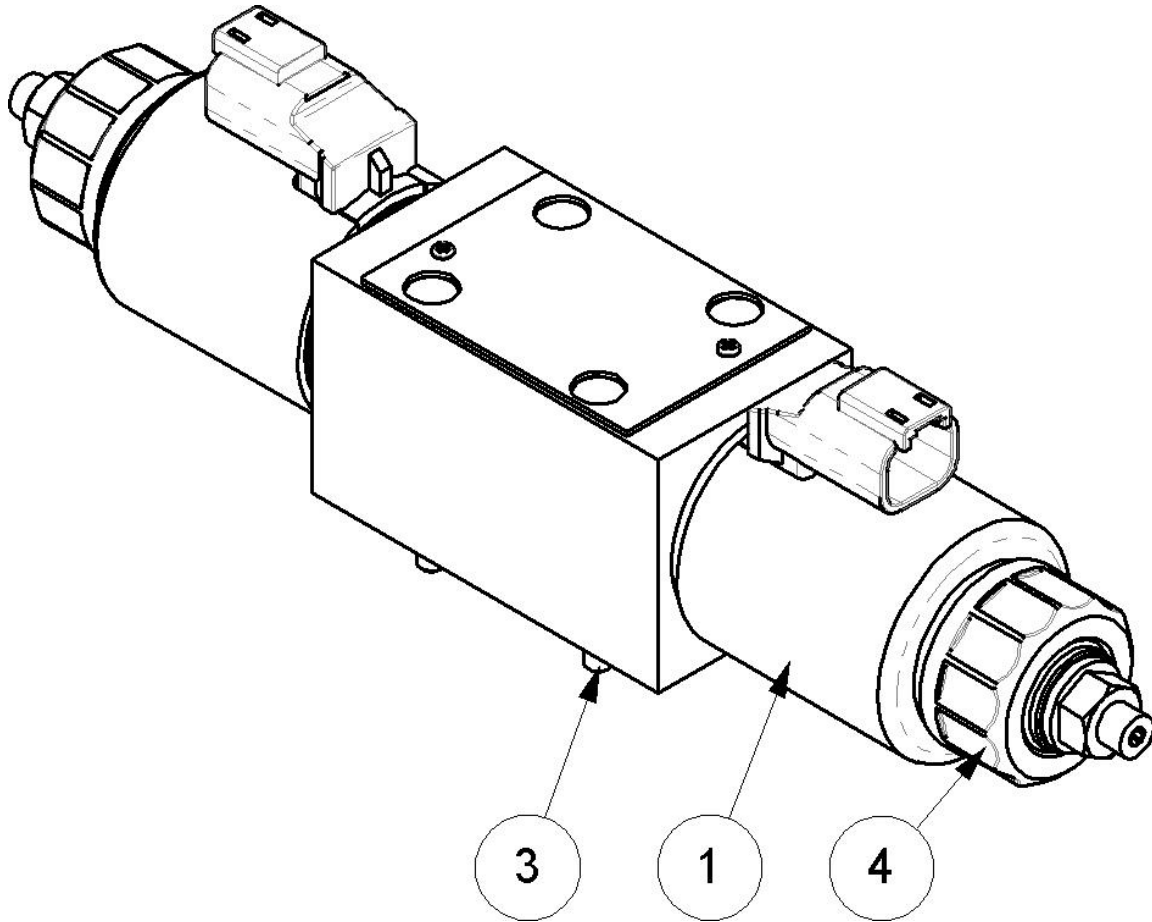


| Ref | Part No  | Description         | QTY |
|-----|----------|---------------------|-----|
| 1   | 23550.11 | PROP DCV            | 3   |
| 2   | 23550.13 | VALVE               | 1   |
| 3   | 23550.17 | VALVE               | 1   |
| 4   | 23550.14 | DCV                 | 1   |
| 5   | 41844.26 | LOOM 19 CORE-19 WAY | 1   |
| 6   | 45594.41 | SEALING CAP         | 4   |
| 7   | 45594.42 | SEALING CAP         | 1   |

| Ref | Part No  | Description                   | QTY |
|-----|----------|-------------------------------|-----|
| 8   | 23550.18 | TOOL - MANUAL SOL. OPERATION  | 1   |
| 9   | 41844.34 | LOOM ANGLE FLOAT DT CONNECTOR | 1   |

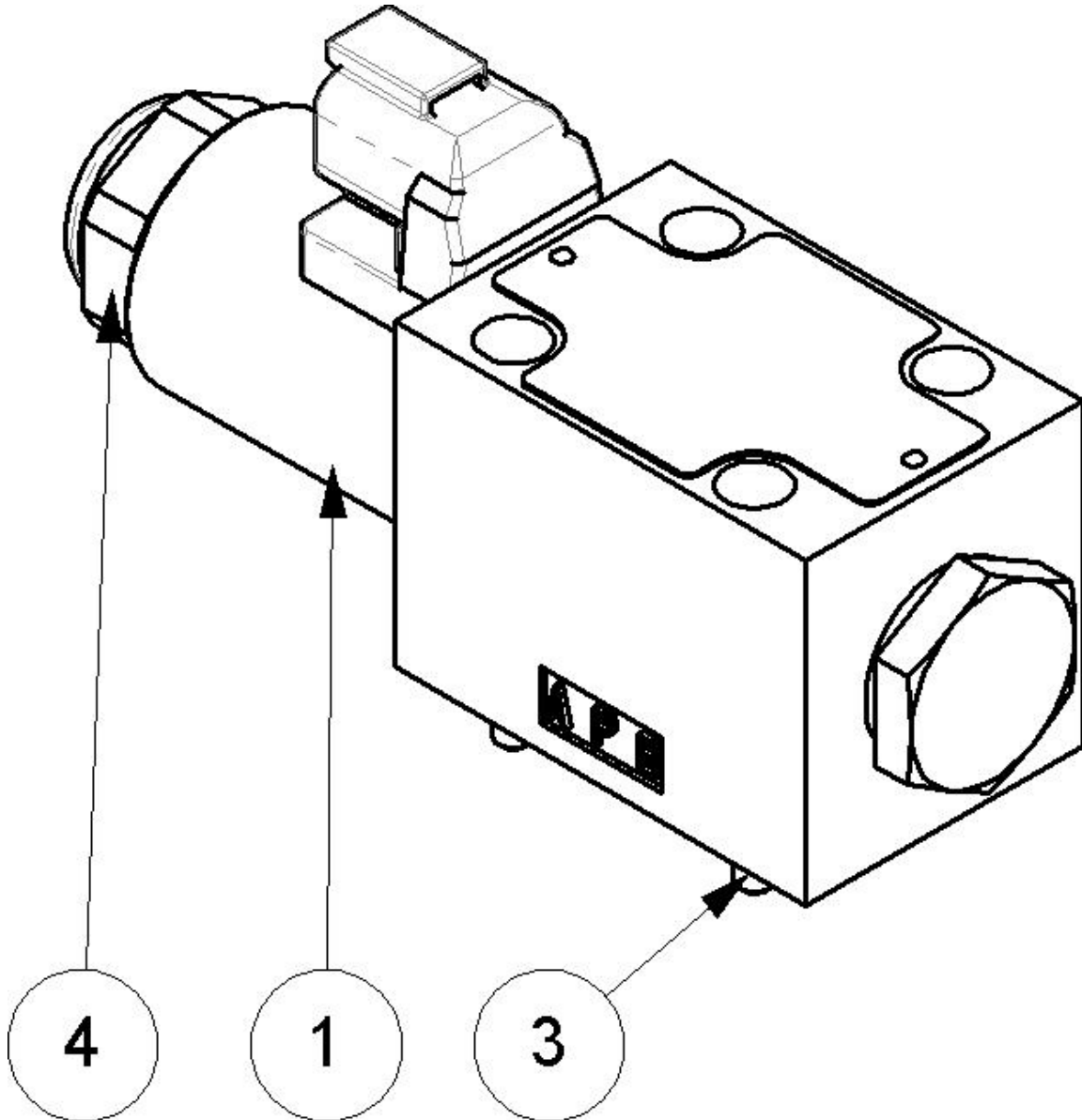


# 23550.11 - PROP DCV



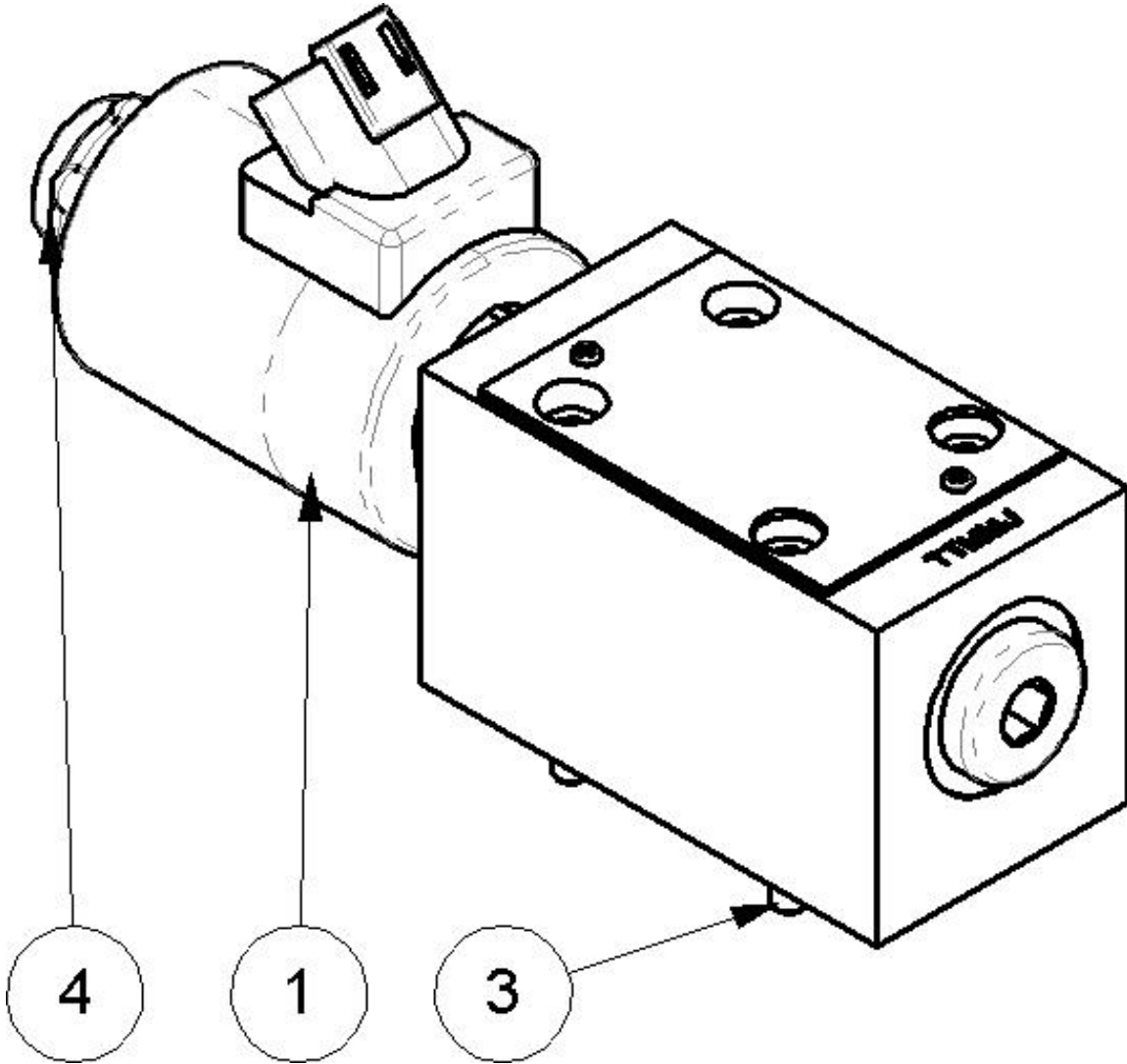
| Ref | Part No  | Description | QTY |
|-----|----------|-------------|-----|
| 1   | 23550.37 | PROP COIL   | 2   |
| 2   | 23550.32 | SEAL KIT    | 1   |
| 3   | 9200076  | CAP SCREW   | 4   |
| 4   | 23550.35 | COIL NUT    | 2   |

# 23550.13 - VALVE



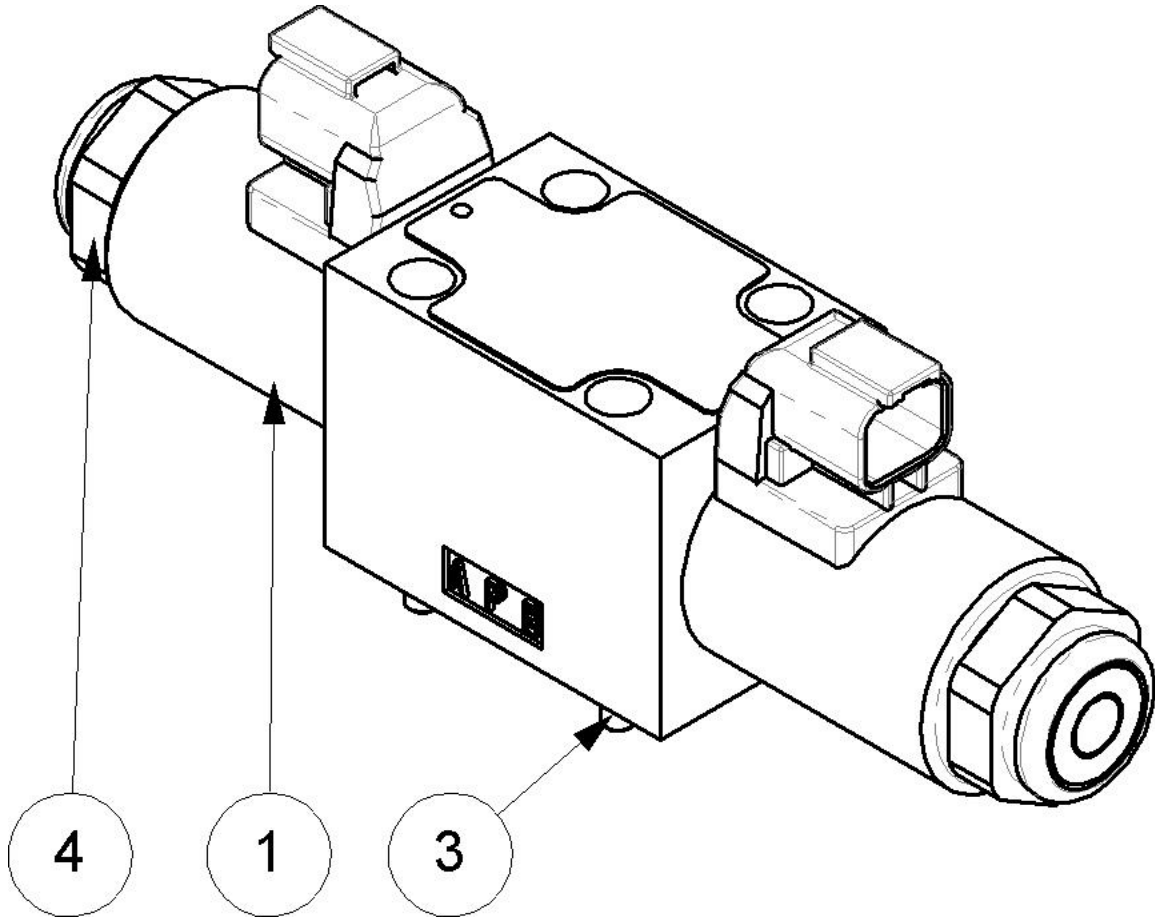
| Ref | Part No  | Description | QTY |
|-----|----------|-------------|-----|
| 1   | 23550.38 | COIL        | 1   |
| 2   | 23550.34 | SEAL KIT    | 1   |
| 3   | 9200077  | CAP SCREW   | 4   |
| 4   | 23550.36 | COIL NUT    | 1   |

# 23550.17 - VALVE



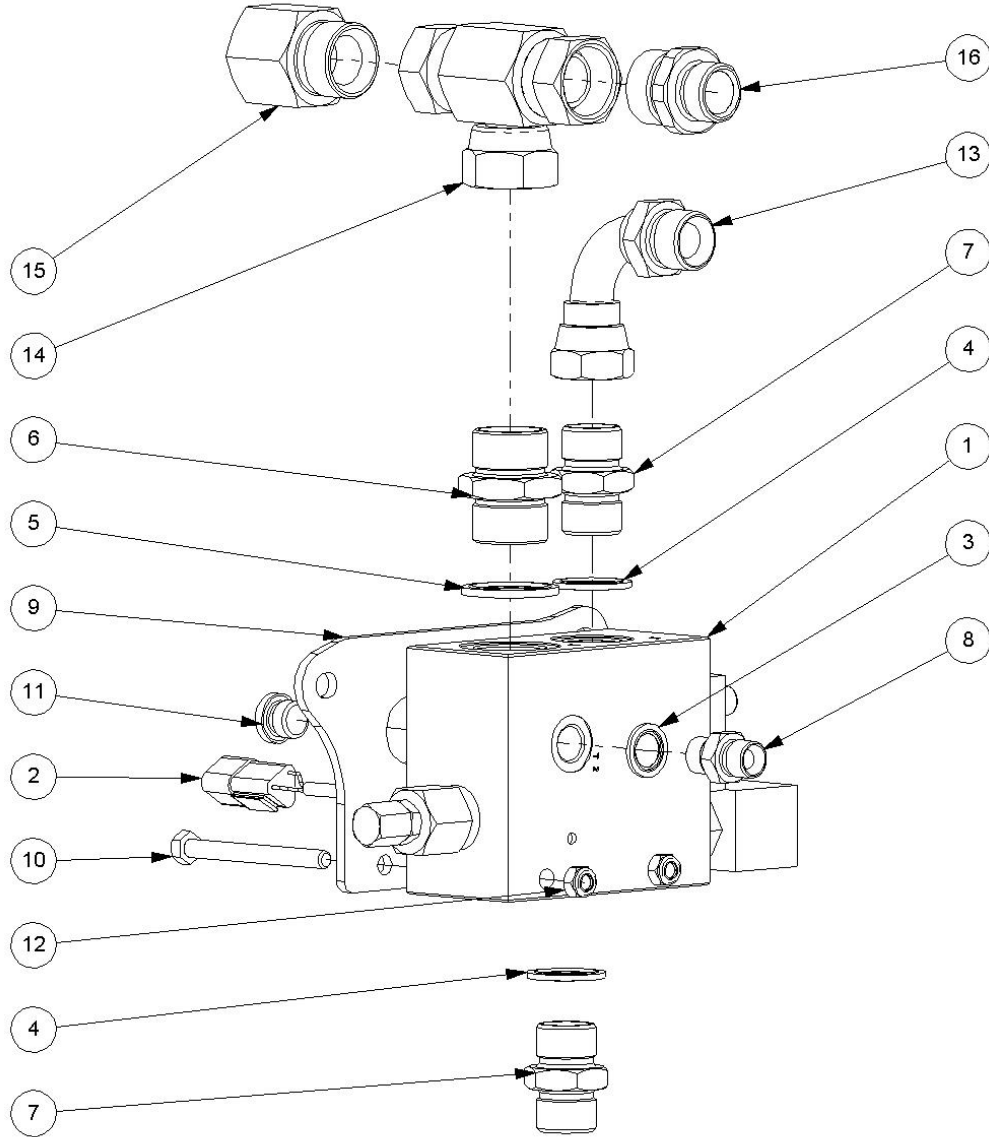
| Ref | Part No  | Description | QTY |
|-----|----------|-------------|-----|
| 1   | 23550.39 | COIL        | 1   |
| 2   | 23550.32 | SEAL KIT    | 1   |
| 3   | 9200079  | CAP SCREW   | 4   |
| 4   | 23550.40 | COIL NUT    | 1   |

# 23550.14 - DCV



| Ref | Part No  | Description | QTY |
|-----|----------|-------------|-----|
| 1   | 23550.38 | COIL        | 2   |
| 2   | 23550.34 | SEAL KIT    | 1   |
| 3   | 9200077  | CAP SCREW   | 4   |
| 4   | 23550.36 | COIL NUT    | 2   |

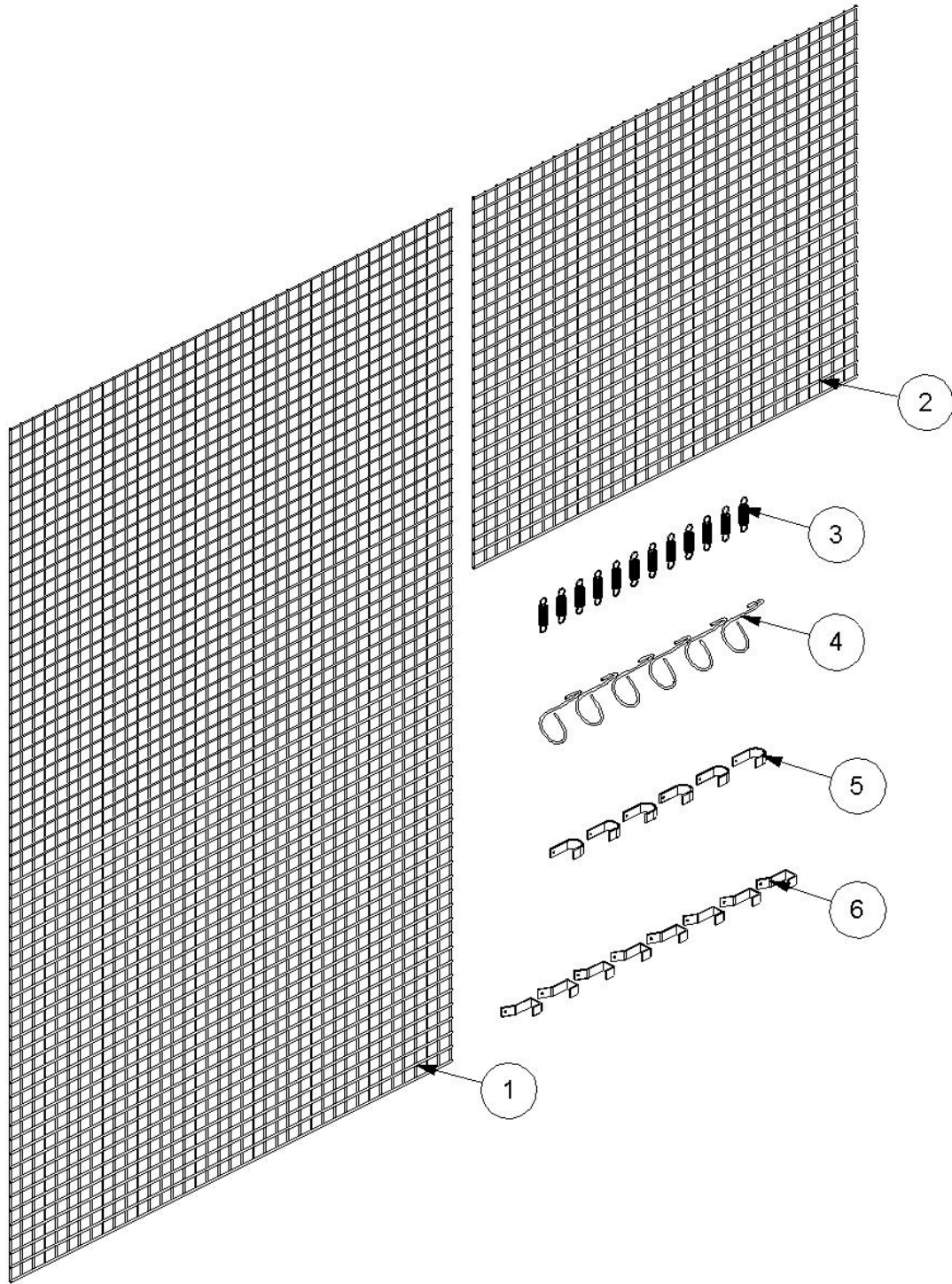
# 7146798 - ON-OFF ERCV ASSY



| Ref | Part No   | Description             | QTY |
|-----|-----------|-------------------------|-----|
| 1   | 23741.01  | RELIEF VALVE / DIVERTER | 1   |
| 2   | 41844.57  | RCV LOOM ON/OFF DT      | 1   |
| 3   | 8650103   | SEAL                    | 1   |
| 4   | 8650106   | SEAL                    | 2   |
| 5   | 8650108   | SEAL                    | 1   |
| 6   | 05.434.01 | ADAPTOR                 | 1   |
| 7   | 8581136   | ADAPTOR                 | 2   |
| 8   | 6000113   | ADAPTOR                 | 1   |
| 9   | 23902.04  | VALVE MOUNTING PLATE    | 1   |

| Ref | Part No | Description | QTY |
|-----|---------|-------------|-----|
| 10  | 9213174 | BOLT        | 2   |
| 11  | 8581436 | ADAPTOR     | 1   |
| 12  | 9163004 | NUT         | 2   |
| 13  | T3400   | ADAPTOR     | 1   |
| 14  | T7560   | TEE         | 1   |
| 15  | 8581241 | ADAPTOR     | 1   |
| 16  | 8002086 | ADAPTOR     | 1   |

# 7313324 - GUARD KIT



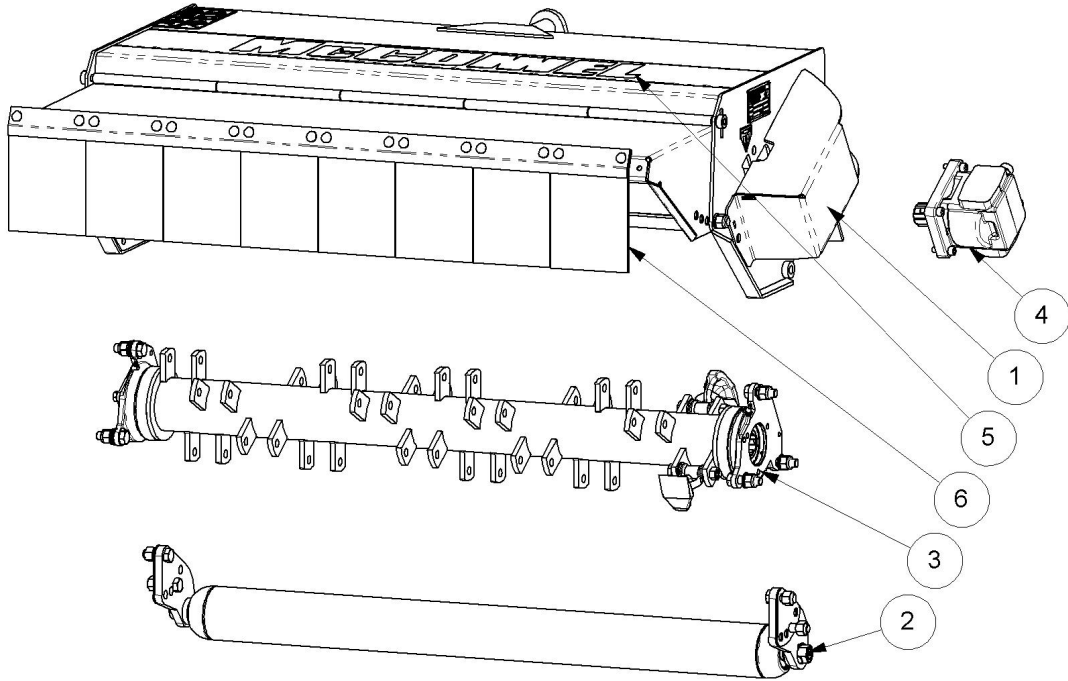
| Ref | Part No  | Description | QTY |
|-----|----------|-------------|-----|
| 1   | 7313049  | GUARD PANEL | 1   |
| 2   | 7313050  | GUARD PANEL | 1   |
| 3   | 6001064  | SPRING      | 12  |
| 4   | 6001065  | HOOK        | 6   |
| 5   | 41587.01 | GUARD HOOK  | 6   |
| 6   | 41745.01 | HOOK        | 8   |

| <b>Ref</b> | <b>Part No</b> | <b>Description</b> | <b>QTY</b> |
|------------|----------------|--------------------|------------|
| 7          | 22342.01       | CABLE TIE          | 1          |
| 8          | 7196045        | HOSE TIE           | 2          |



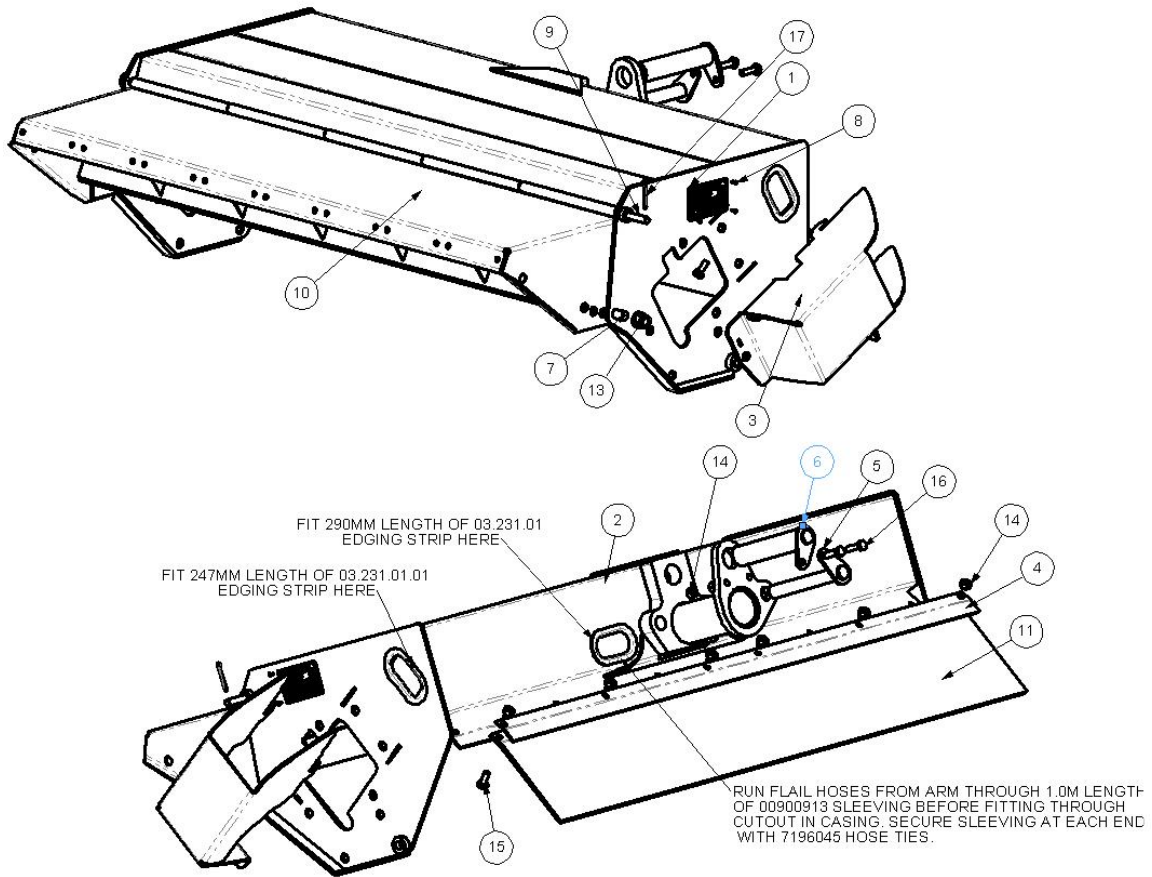
# ATTACHMENTS

## 7146841 -



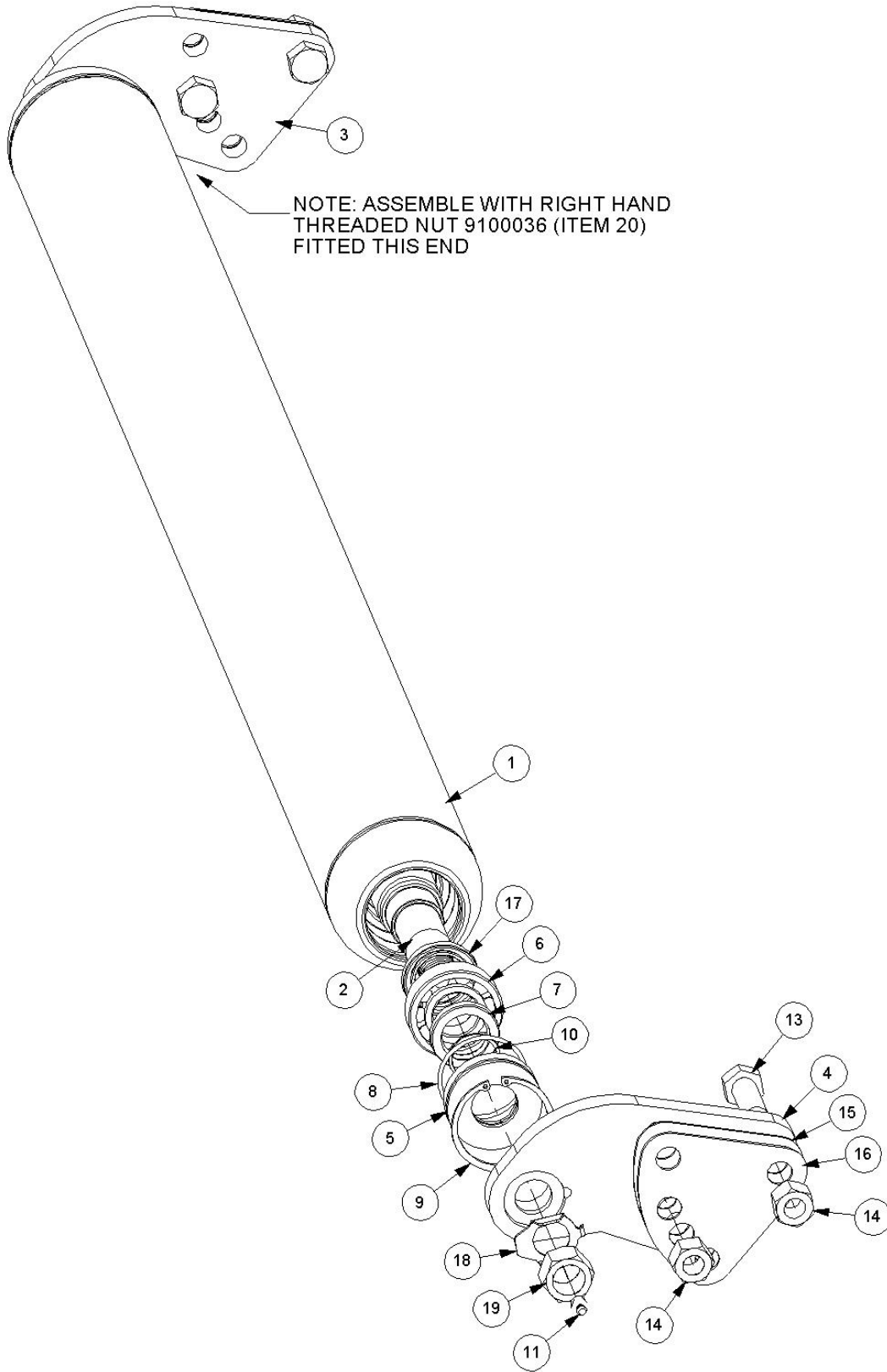
| Ref | Part No  | Description            | QTY |
|-----|----------|------------------------|-----|
| 1   | 21969.04 | CASING & HOOD MOD      | 1   |
| 2   | 22808.01 | ROLLER ASSY            | 1   |
| 3   | 21959.06 | ROTOR MODULE           | 1   |
| 4   | 21965.01 | MOTOR MODULE           | 1   |
| 5   | 21978.01 | STICKER MODULE         | 1   |
| 6   | 7290375  | USE 7290375 FOR SPARES | 1   |

# 21969.04 - CASING & HOOD MOD



| Ref | Part No   | Description                | QTY  |
|-----|-----------|----------------------------|------|
| 2   | 22459.02  | CASING                     | 1    |
| 3   | 21966.01  | COVER                      | 1    |
| 4   | 21968.02  | CLAMP STRIP                | 1    |
| 5   | 21970.01  | PIN                        | 1    |
| 6   | 21971.01  | PIN                        | 1    |
| 7   | 30.073.25 | BOLT                       | 2    |
| 9   | 9313055   | SCREW                      | 6    |
| 10  | 9313075   | SCREW                      | 2    |
| 11  | 7191116   | PIN                        | 1    |
| 12  | 7191352   | FRONT HOOD                 | 1    |
| 13  | 7191361   | FLAP                       | 1    |
| 14  | 7196045   | HOSE TIE                   | 2    |
| 15  | 9100024   | NUT                        | 2    |
| 16  | 9163005   | NUT                        | 8    |
| 17  | 9501406   | PIN                        | 1    |
| 18  | 00900913  | SLEEVING                   | 1000 |
| 19  | 03.231.17 | RUBBER EDGE MOULDING 537mm | 1    |

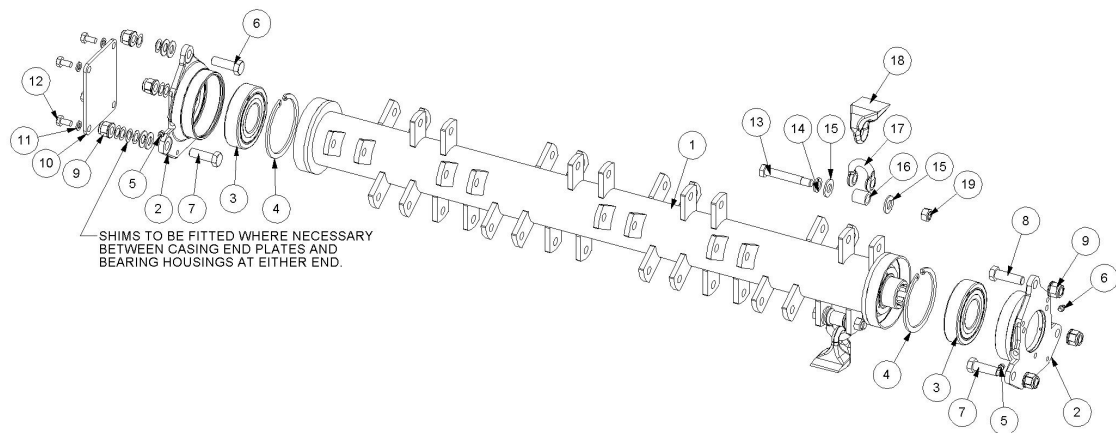
# 22808.01 - ROLLER ASSY



| Ref | Part No  | Description | QTY |
|-----|----------|-------------|-----|
| 1   | 22808.02 | ROLLER      | 1   |
| 2   | 22808.05 | SHAFT       | 1   |
| 3   | 22808.03 | BRACKET -LH | 1   |

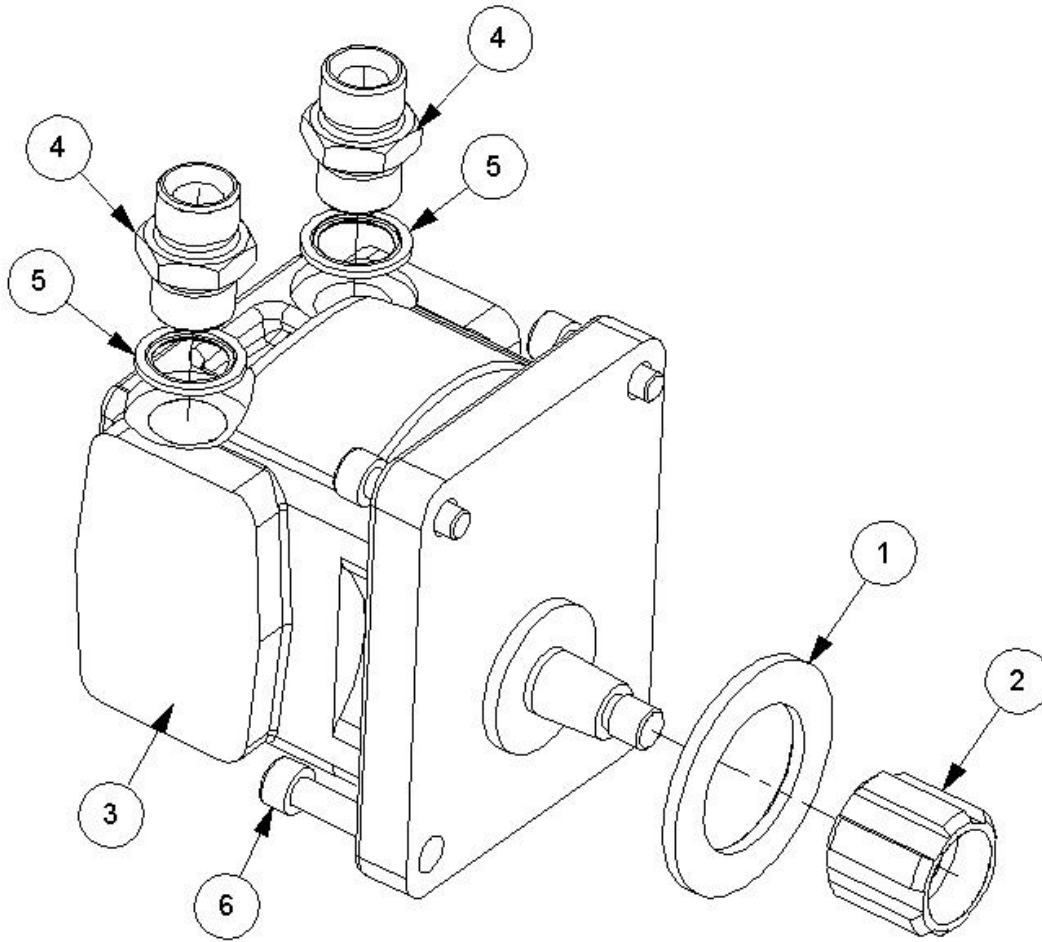
| Ref | Part No  | Description | QTY |
|-----|----------|-------------|-----|
| 4   | 22808.04 | BRACKET -RH | 1   |
| 5   | 22808.06 | CARRIER     | 2   |
| 6   | 0600111  | BEARING     | 2   |
| 7   | 8629215  | SEAL        | 2   |
| 8   | 8600422  | "O" RING    | 2   |
| 9   | 0411262  | CIRCLIP     | 2   |
| 10  | 0412120  | CIRCLIP     | 2   |
| 11  | 0901121  | GREASER     | 2   |
| 12  | 9213117  | BOLT        | 2   |
| 13  | 9313097  | SCREW       | 2   |
| 14  | 9163007  | NUT         | 4   |
| 15  | 42257.03 | SHIM        | 0   |
| 16  | 42257.04 | SHIM        | 0   |
| 17  | 8629181  | SEAL        | 2   |
| 18  | 21395.03 | WASHER      | 2   |
| 19  | 9100035  | NUT         | 1   |
| 20  | 9100036  | NUT         | 1   |

# 21959.06 - ROTOR MODULE



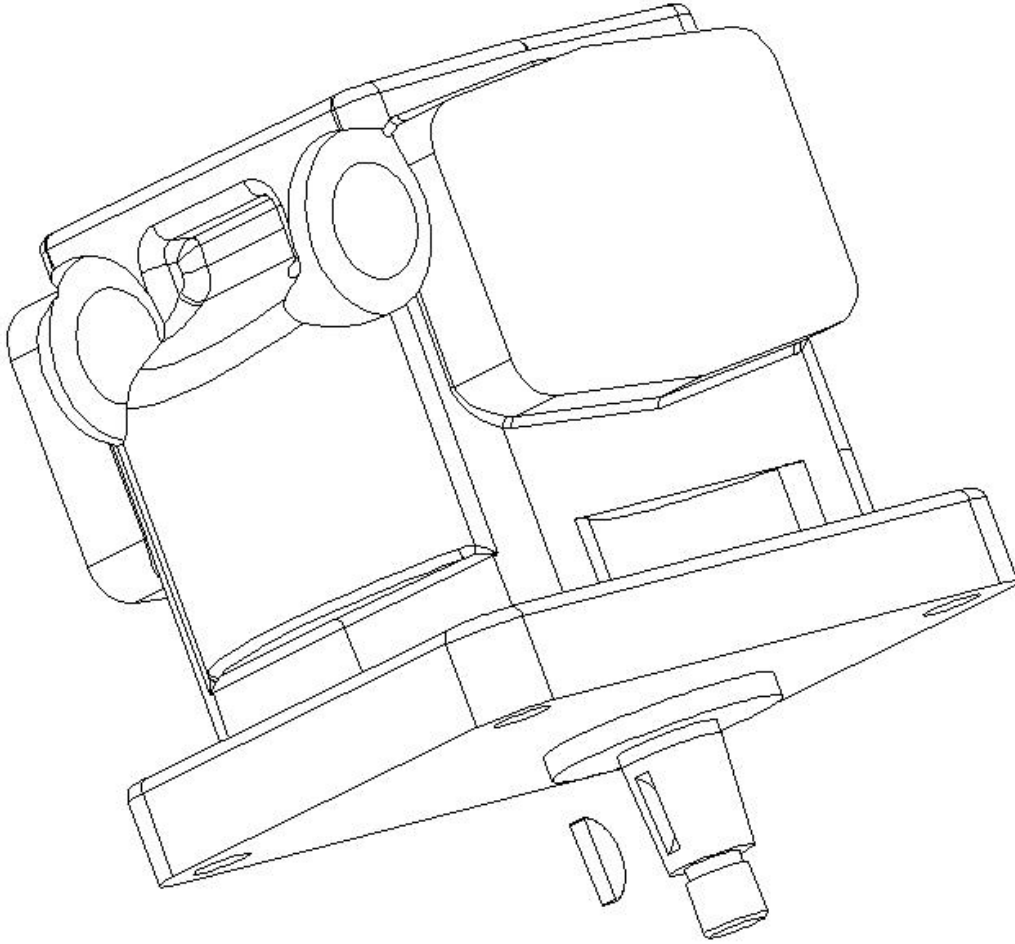
| Ref | Part No   | Description                | QTY |
|-----|-----------|----------------------------|-----|
| 1   | 7198346   | NOT FOR SALE USE 7198346WB | 1   |
| 2   | 7190261   | BEARING HOUSING            | 2   |
| 3   | 0600018   | BEARING - ROTOR            | 2   |
| 4   | 7190022   | CIRCLIP                    | 2   |
| 5   | 0901121   | GREASER                    | 2   |
| 6   | 0901125   | GREASER                    | 2   |
| 7   | 9200025   | BOLT                       | 5   |
| 8   | 9200023   | BOLT                       | 1   |
| 9   | 9100024   | NUT                        | 6   |
| 10  | 7190444   | PLATE                      | 1   |
| 11  | 9100205   | WASHER                     | 4   |
| 12  | 9313045   | SCREW                      | 4   |
| 13  | 05.775.10 | BOLT                       | 24  |
| 14  | 9100207   | WASHER                     | 24  |
| 15  | 05.281.04 | WASHER                     | 48  |
| 16  | 02.807.01 | SPACER                     | 24  |
| 17  | 05.895.01 | SHACKLE                    | 24  |
| 18  | 7190462   | FLAIL - UNIVERSAL BOOT     | 24  |
| 19  | 05.968.06 | NUT                        | 24  |
| 20  | 7191098   | SHIM                       | 3   |
| 21  | 7191099   | SHIM                       | 3   |
| 22  | 8121043   | SPACER                     | 5   |
| 23  | 8121044   | SPACER                     | 5   |

# 21965.01 - MOTOR MODULE



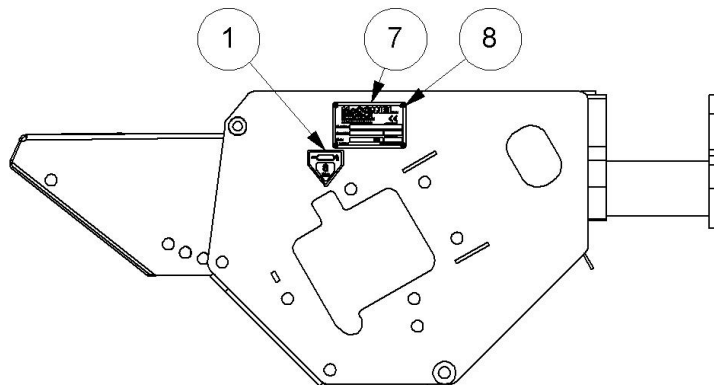
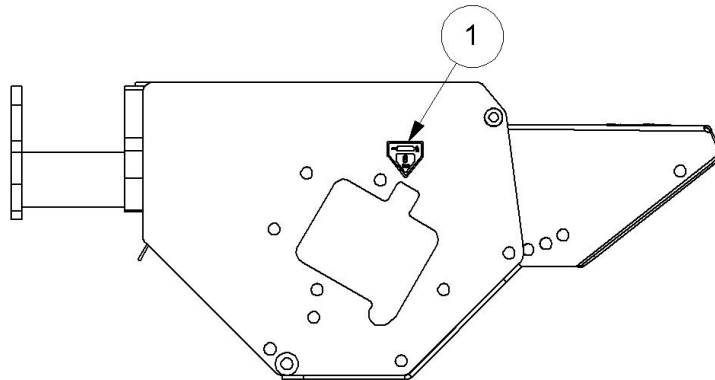
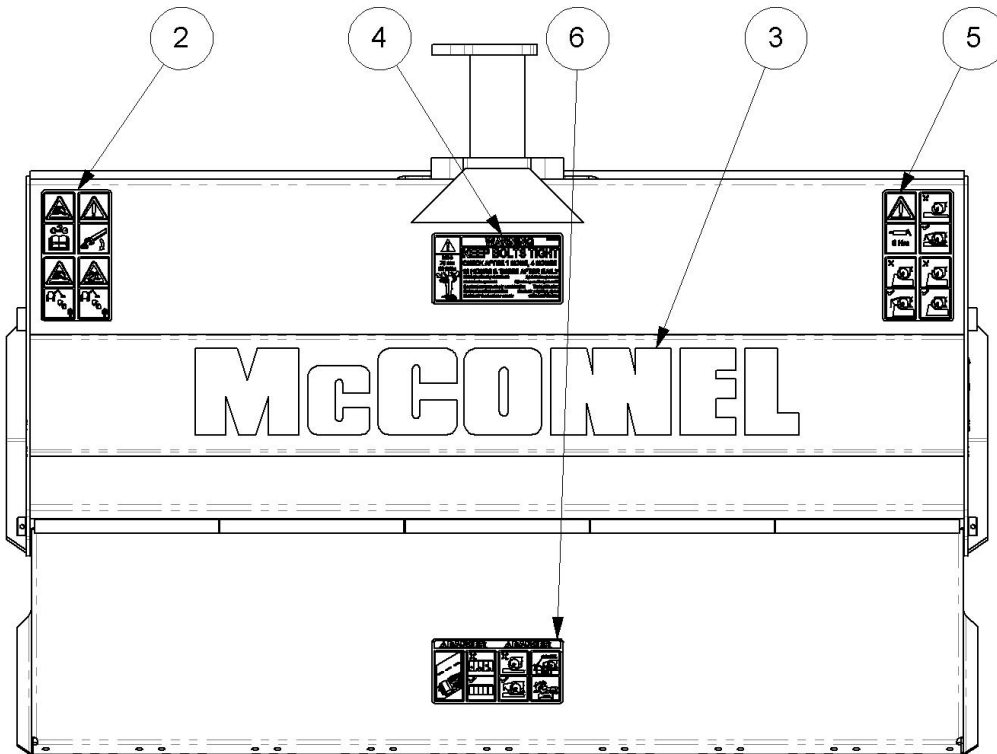
| Ref | Part No        | Description     | QTY |
|-----|----------------|-----------------|-----|
| 1   | 7190015        | WASHER          | 1   |
| 2   | 7190573        | USE 7190580/549 | 1   |
| 3   | <b>8301303</b> | MOTOR           | 1   |
| 4   | 8581136        | ADAPTOR         | 2   |
| 5   | 8650106        | SEAL            | 2   |
| 6   | 9300144        | SCREW           | 4   |

# 8301303 - MOTOR



| Ref | Part No | Description | QTY |
|-----|---------|-------------|-----|
| 1   | 9100015 | NUT         | 1   |
| 2   | 8301010 | KEY         | 1   |
| 3   | 8629209 | SEAL        | 2   |
| 4   | 8699236 | SEAL KIT    | 1   |

# 21978.01 - STICKER MODULE



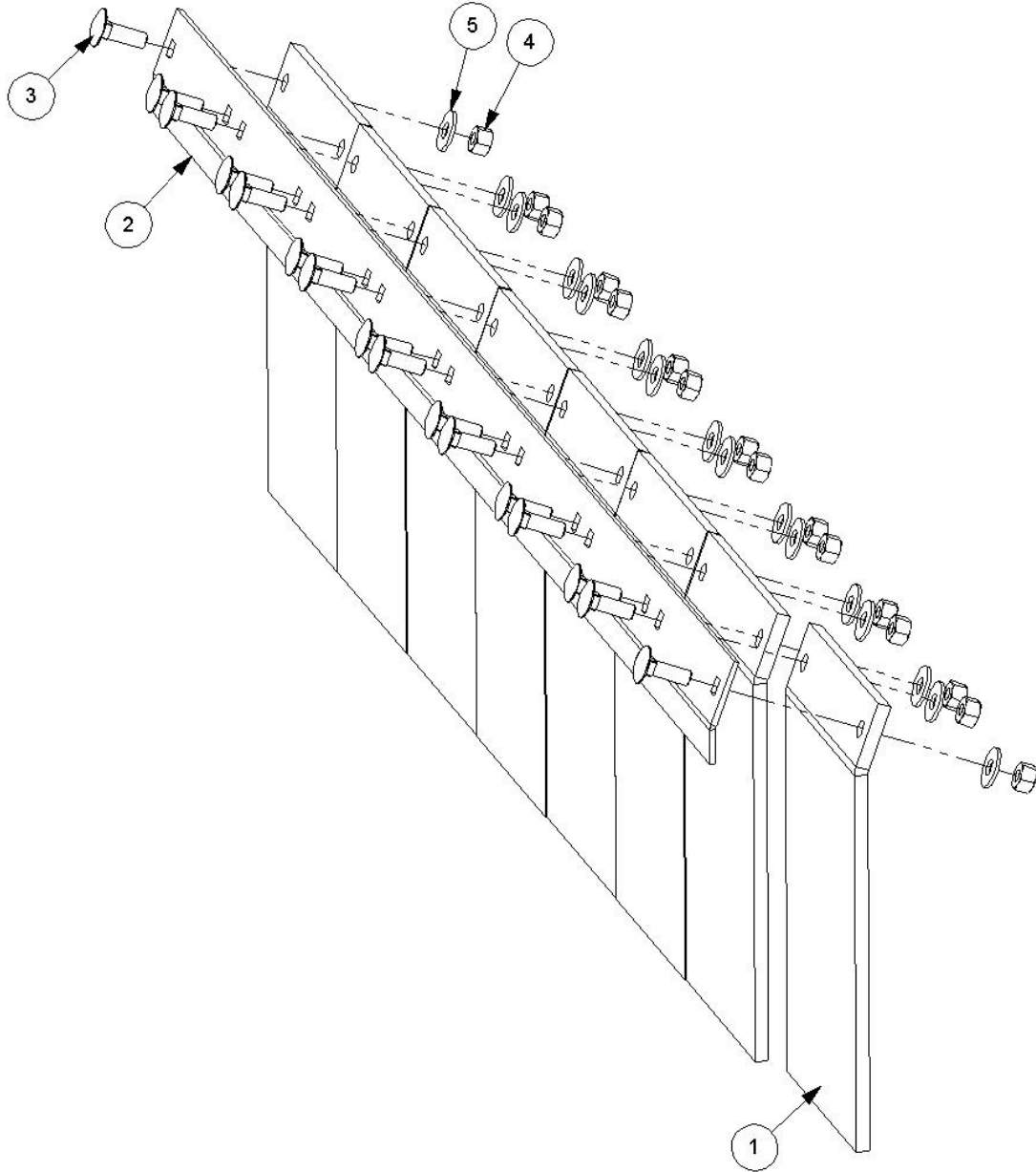
NOTE: LAYOUT SHOWN FOR LH OB/RH IB  
 NUMBER PLATE FITTED TO OPPOSITE  
 END FOR LH IB/RH OB

| Ref | Part No   | Description | QTY |
|-----|-----------|-------------|-----|
| 1   | 09.810.01 | DECAL       | 2   |
| 2   | 09.821.35 | DECAL       | 1   |



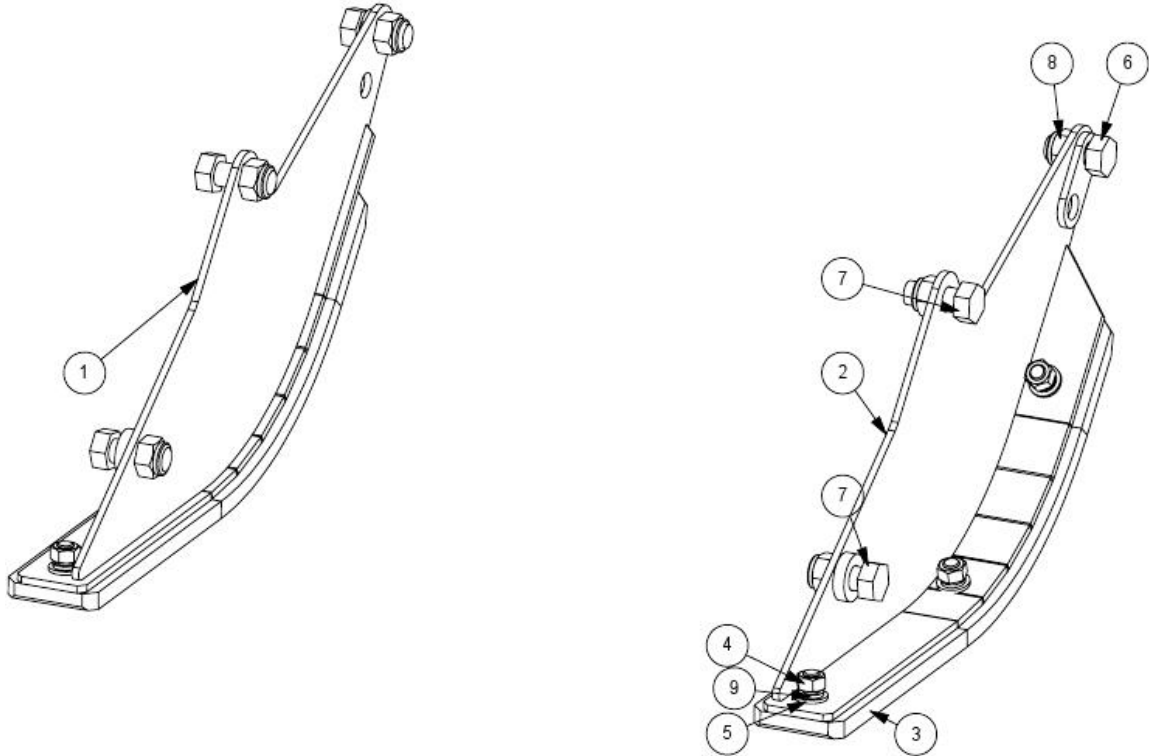
| Ref | Part No | Description      | QTY |
|-----|---------|------------------|-----|
| 3   | 1290527 | DECAL            | 1   |
| 4   | 1291315 | DECAL            | 1   |
| 5   | 1290738 | DECAL            | 1   |
| 6   | 1291231 | DECAL            | 1   |
| 7   | 1335246 | SERIAL No. PLATE | 1   |
| 8   | 7103230 | RIVET            | 4   |

# 7290375 - USE 7290375 FOR SPARES



| Ref | Part No | Description | QTY |
|-----|---------|-------------|-----|
| 1   | 7290053 | FLAP        | 8   |
| 2   | 7190304 | STRIP       | 1   |
| 3   | 9293054 | BOLT        | 16  |
| 4   | 9163004 | NUT         | 16  |
| 5   | 9100104 | WASHER      | 16  |

# 7198374 - SKID KIT - SUPERCUT



| Ref | Part No | Description | QTY |
|-----|---------|-------------|-----|
| 1   | 7198368 | SKID -LH    | 1   |
| 2   | 7198369 | SKID -RH    | 1   |
| 3   | 7290391 | SHOE        | 2   |
| 4   | 6012034 | TINE BOLT   | 6   |
| 5   | 0100104 | WASHER      | 6   |
| 6   | 0311106 | SCREW       | 2   |
| 7   | 0311126 | SCREW       | 4   |
| 8   | 0141006 | NUT         | 6   |
| 9   | 0100204 | WASHER      | 6   |