

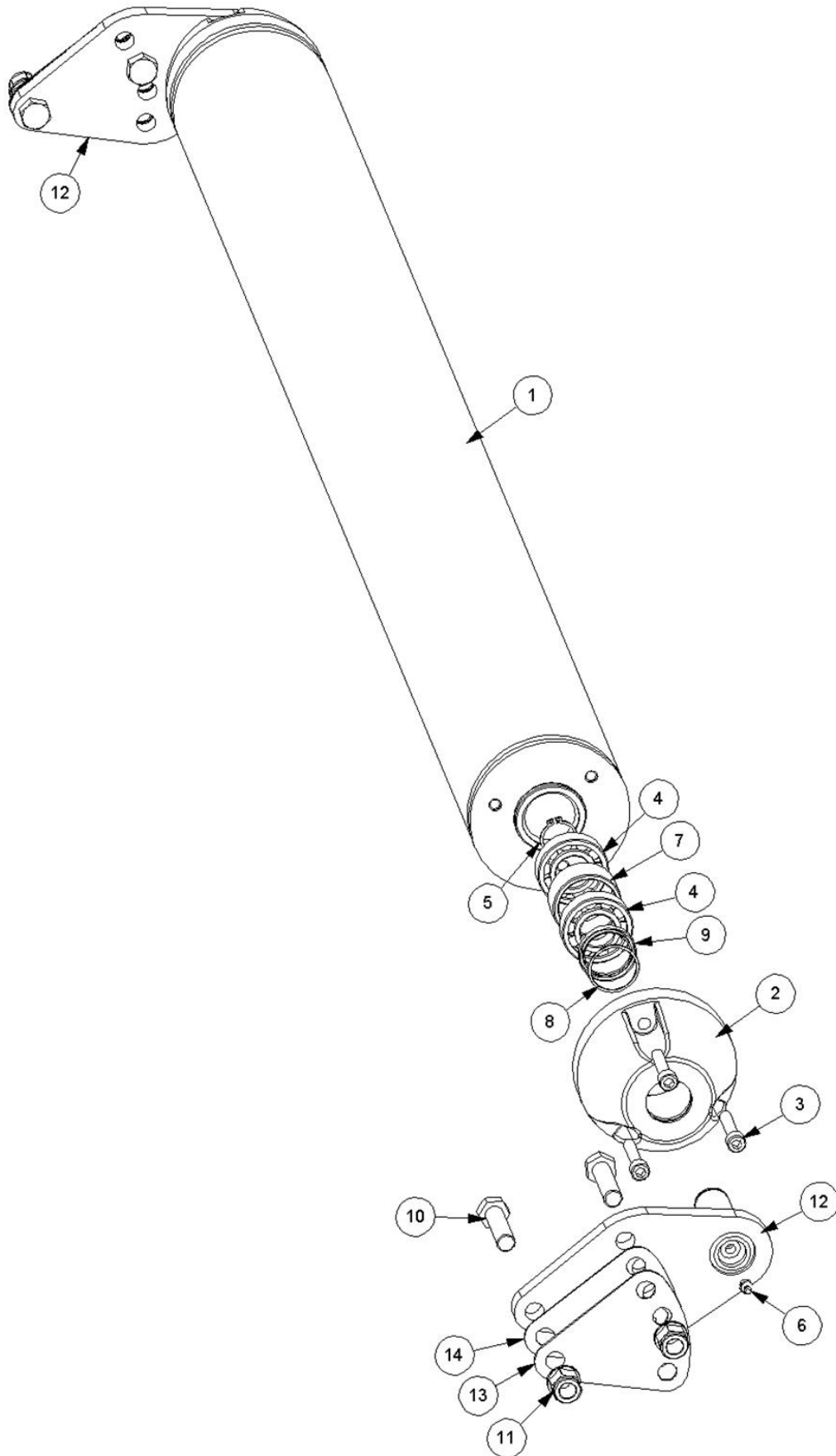
PARTS MANUAL

FOR

SERIAL NO: M2164468

PRINTED ON 19 OCT 2022

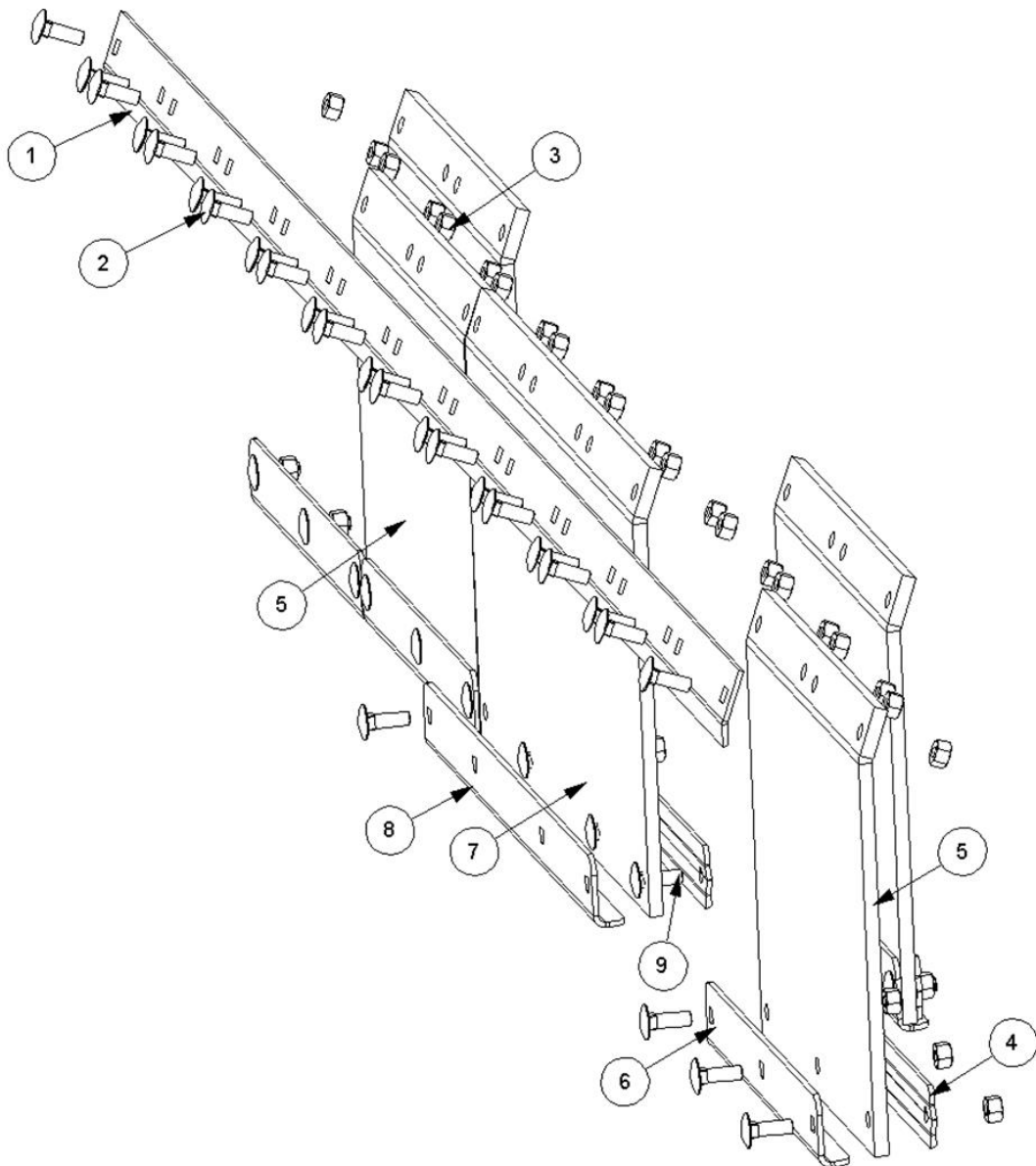
21523.15 - ROLLER ASSY



Ref	Part No	Description	QTY
1	21394.26	ROLLER	1

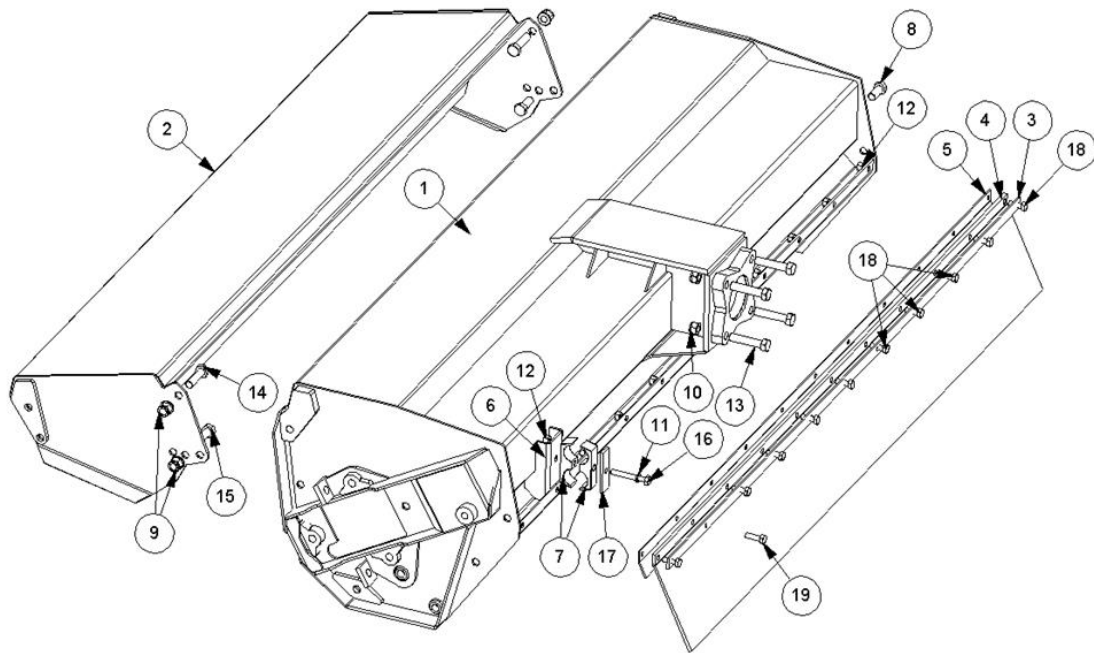
Ref	Part No	Description	QTY
2	21394.32	CAP	2
3	9343105	SCREW	6
4	0600111	BEARING	4
5	0401230	CIRCLIP	2
6	0901121	GREASER	2
7	21523.31	SPACER	2
8	0402240	RING	2
9	8629239	SEAL	2
10	9200031	BOLT	4
11	9100024	NUT	4
12	21524.11	BRACKET	2
13	42257.06	SHIM - 2.0mm	0
14	42257.05	SHIM - 1.2mm	0

21541.17 - FLAP KIT



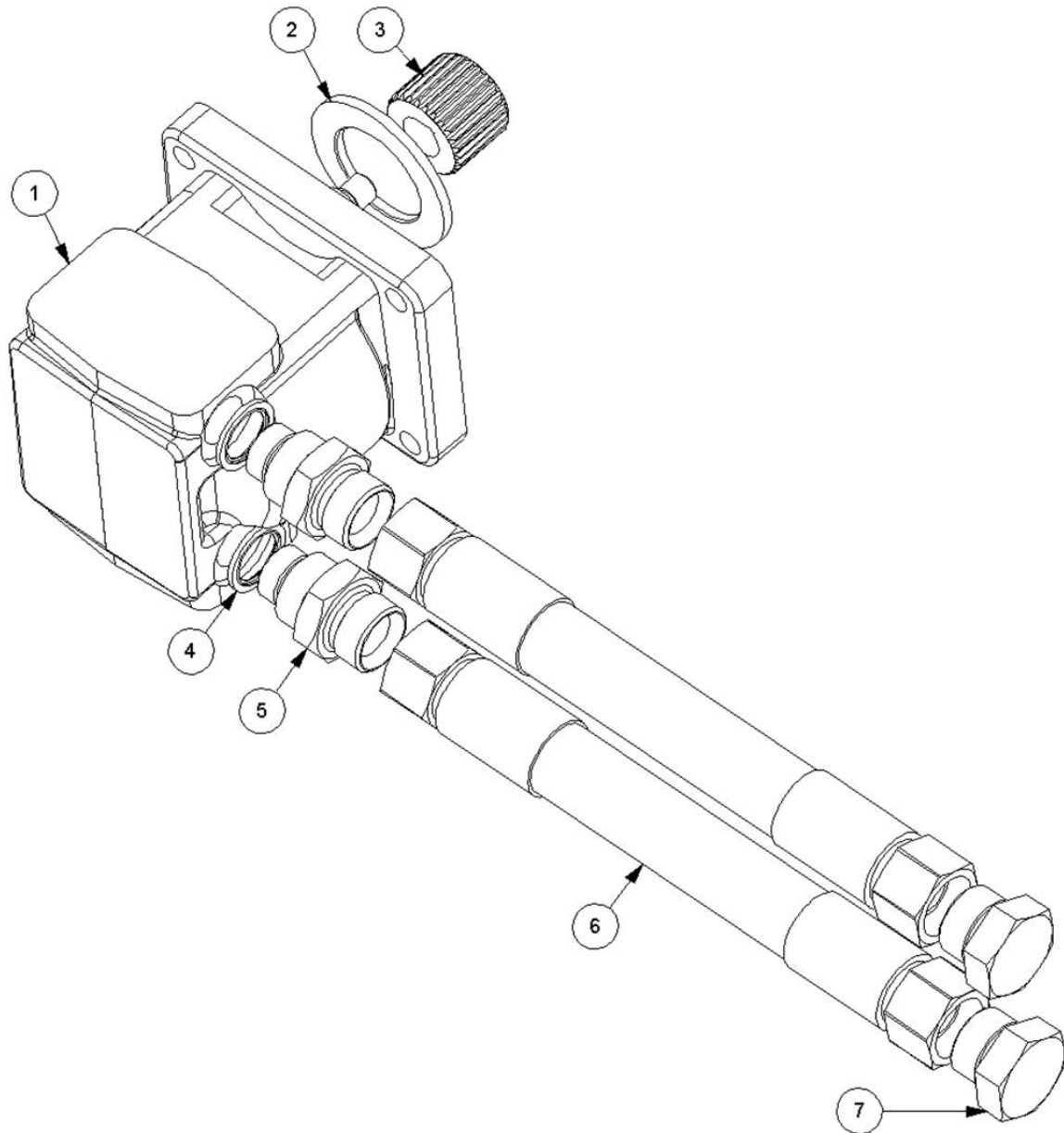
Ref	Part No	Description	QTY
1	7190405	STRIP	1
2	9293054	BOLT	38
3	9163004	NUT	38
4	21541.19	PRESSING	4
5	21544.04	FLAP	4
6	21541.18	PRESSING	4
7	21544.05	FLAP	1
8	21541.20	PRESSING	1
9	21541.21	PRESSING	1

22494.26 - 1.6M DD FLAIL CASING



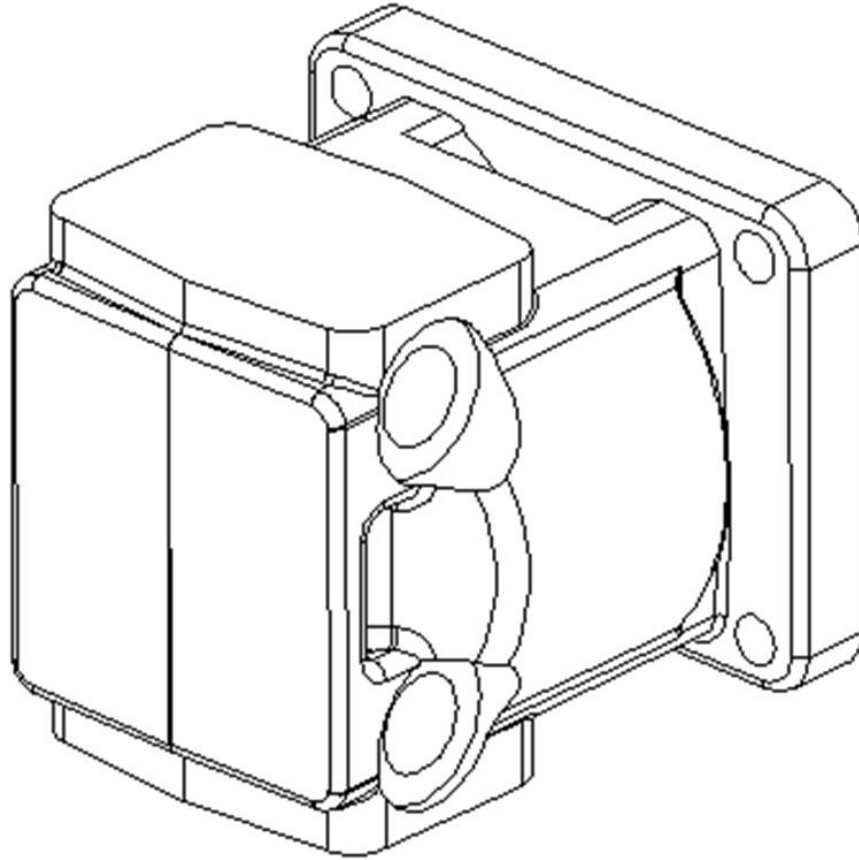
Ref	Part No	Description	QTY
1	22461.05	CASING -1.6M	1
2	7190401	FRONT HOOD	1
3	7190427	CLAMP	1
4	7190460	FLAP	1
5	7190461	STRIP	1
6	22460.01	PLATE	1
7	7193063	CLAMP	1
8	0311126	SCREW	1
9	9100024	NUT	4
10	T7942	NUT	4
11	9100205	WASHER	1
12	9163005	NUT	12
13	12.714.75	BOLT	4
14	9200031	BOLT	2
15	30.073.25	BOLT	2
16	9213165	BOLT	1
17	06.418.05	PLATE	1
18	9313065	SCREW	9
19	9313075	SCREW	1
20	9300166	SCREW	1

22495.07 - DRIVE MODULE



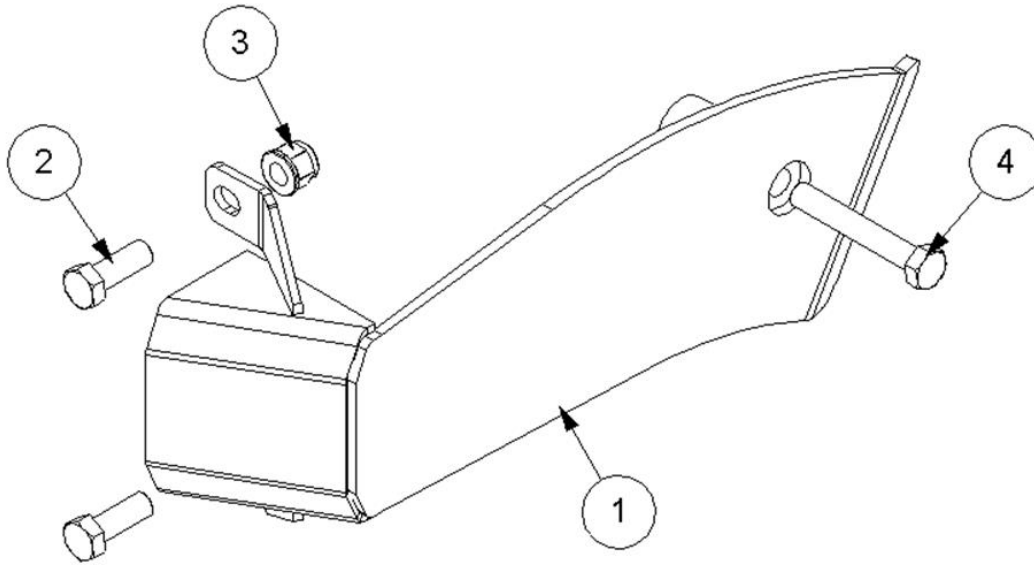
Ref	Part No	Description	QTY
1	8301304	MOTOR - 65HP	1
2	7190015	WASHER	1
3	43390.02	USE 7190584	1
4	8650106	SEAL	2
5	8581295	ADAPTOR	2
6	10.011.23	HOSE	1
7	10.011.24	HOSE	1
8	05.433.03	ADAPTOR	2
9	00999588	SLEEVE	900

8301304 - MOTOR - 65HP



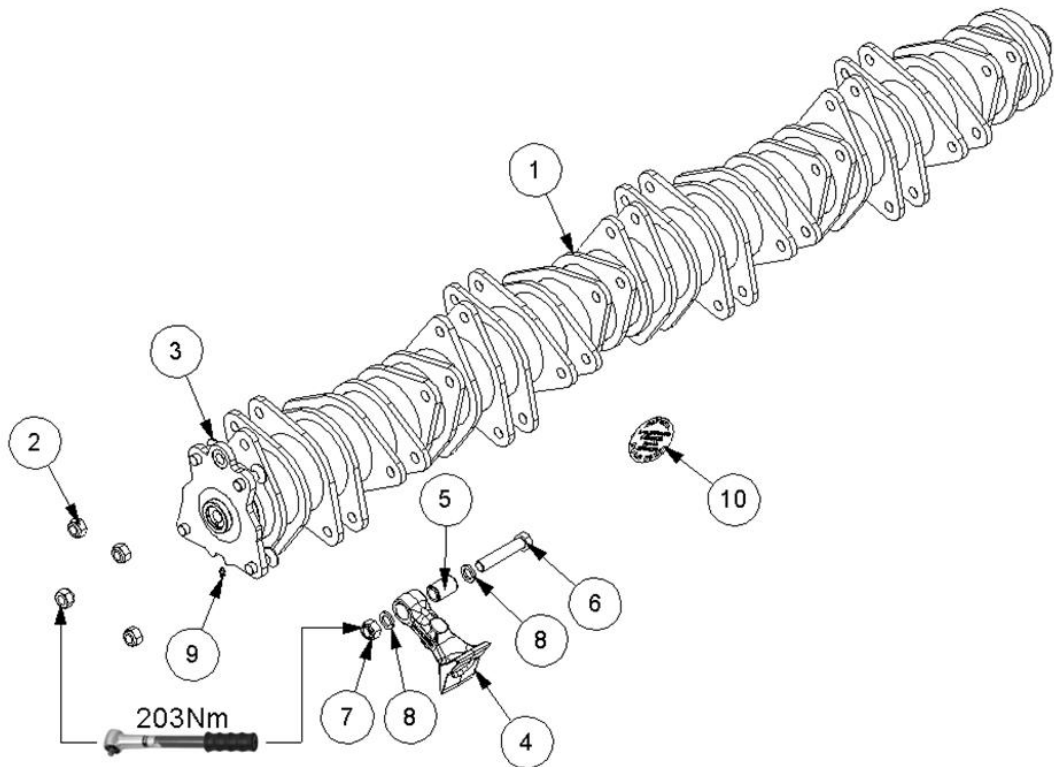
Ref	Part No	Description	QTY
1	8629209	SEAL	2
1	8699236	SEAL KIT	1
3	8301010	KEY	1
4	9100015	NUT	1

22496.24 - COVER MODULE



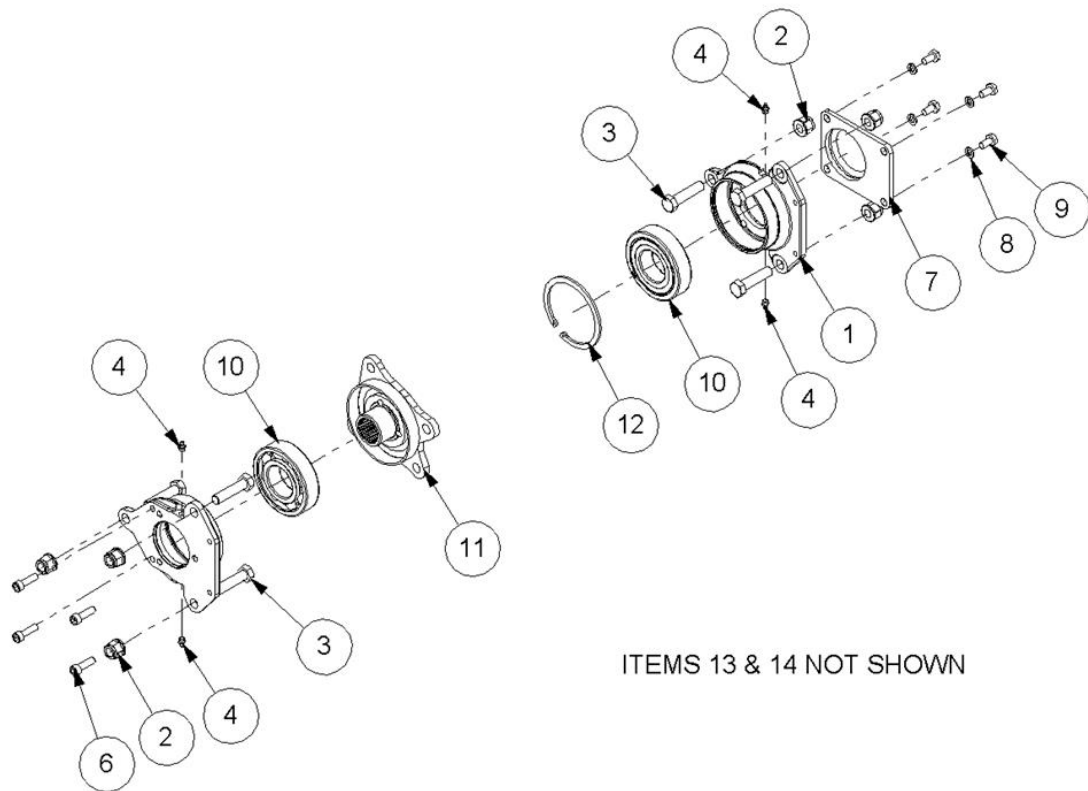
Ref	Part No	Description	QTY
1	42282.16	COVER	1
2	9200028	BOLT	2
3	9100024	NUT	2
4	0211326	BOLT	1

22497.92 - 1.6M ROTOR MODULE



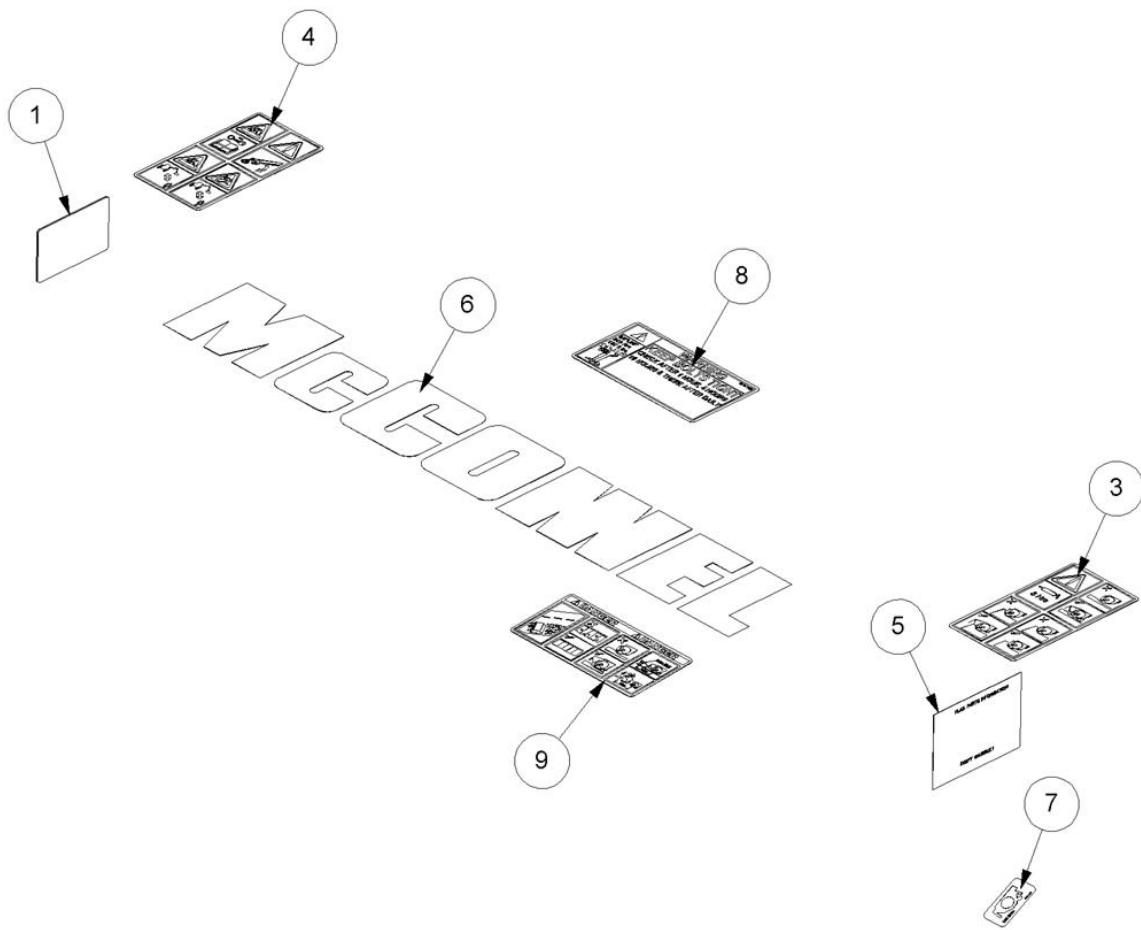
Ref	Part No	Description	QTY
1	22269.06	ROTOR-MULTICUT 1.6M QUAD DR	1
2	9163007	NUT	4
3	9353097	SCREW	4
4	7314366D	F10 FLAIL	32
5	7314223	BUSH	32
6	7314201	BOLT	32
7	0141006	NUT	32
8	0100206	WASHER	64
9	0901161	GREASER	1
10	21365.06	DECAL	1

22498.03 - QUAD DRIVE MODULE



Ref	Part No	Description	QTY
1	7190261	BEARING HOUSING	2
2	9100024	NUT	6
3	9200024	BOLT	6
4	0901121	GREASER	4
6	9300144	SCREW	4
7	7190292	PLATE	1
8	9100205	WASHER	4
9	9313045	SCREW	4
10	0600018	BEARING - ROTOR	2
11	22269.02	HUB	1
12	7190022	CIRCLIP	1
13	8121043	SPACER	5
14	8121044	SPACER	5

7350709 - STICKER MODULE



Ref	Part No	Description	QTY
1	1335246	SERIAL No. PLATE	1
2	7103230	RIVET	4
3	1290738	DECAL	1
4	09.821.35	DECAL	1
5	1290392	DECAL	1
6	1290527	DECAL	1
7	21917.03	DECAL	1
8	1291045	DECAL	1
9	1291231	DECAL	1