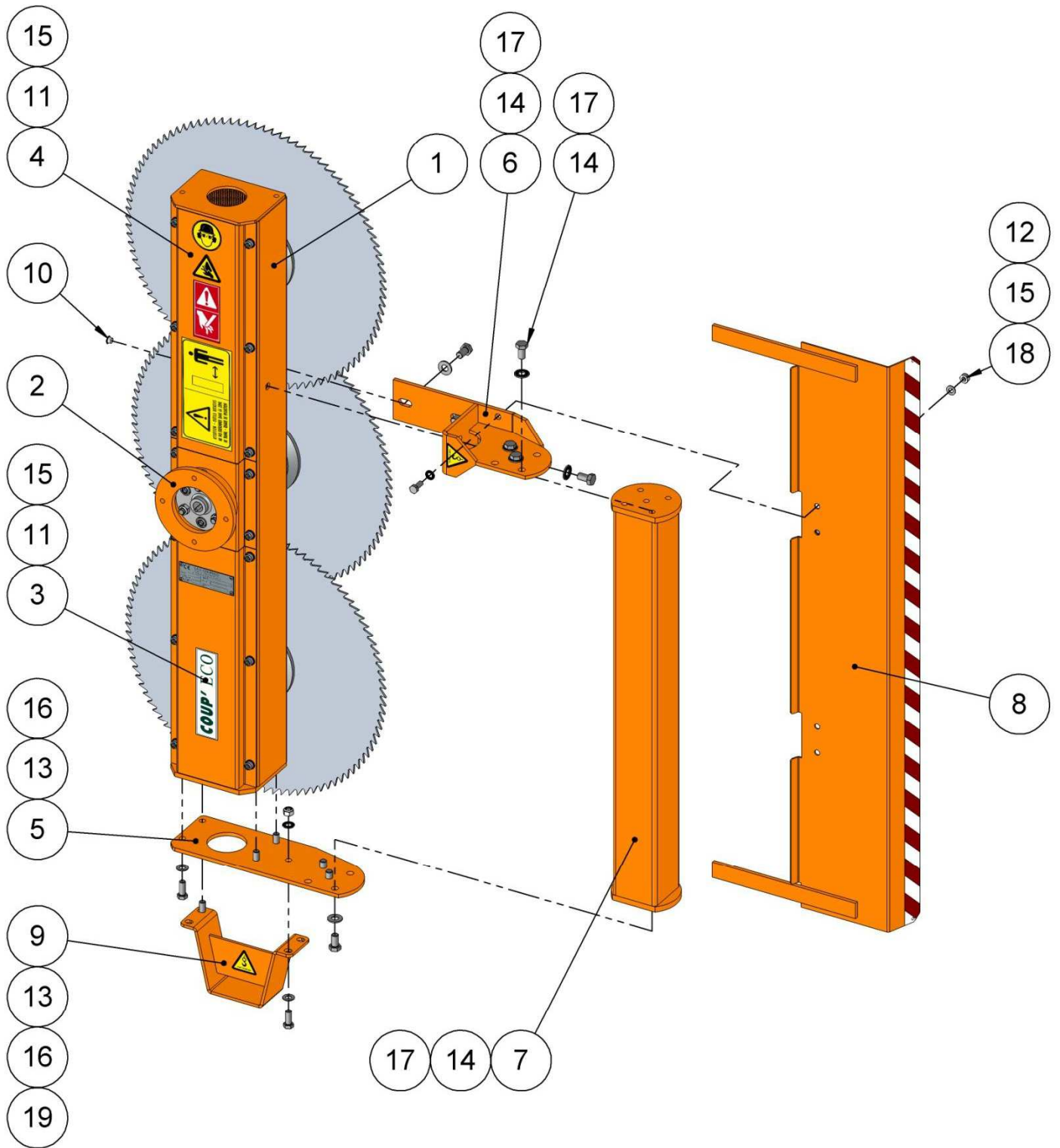


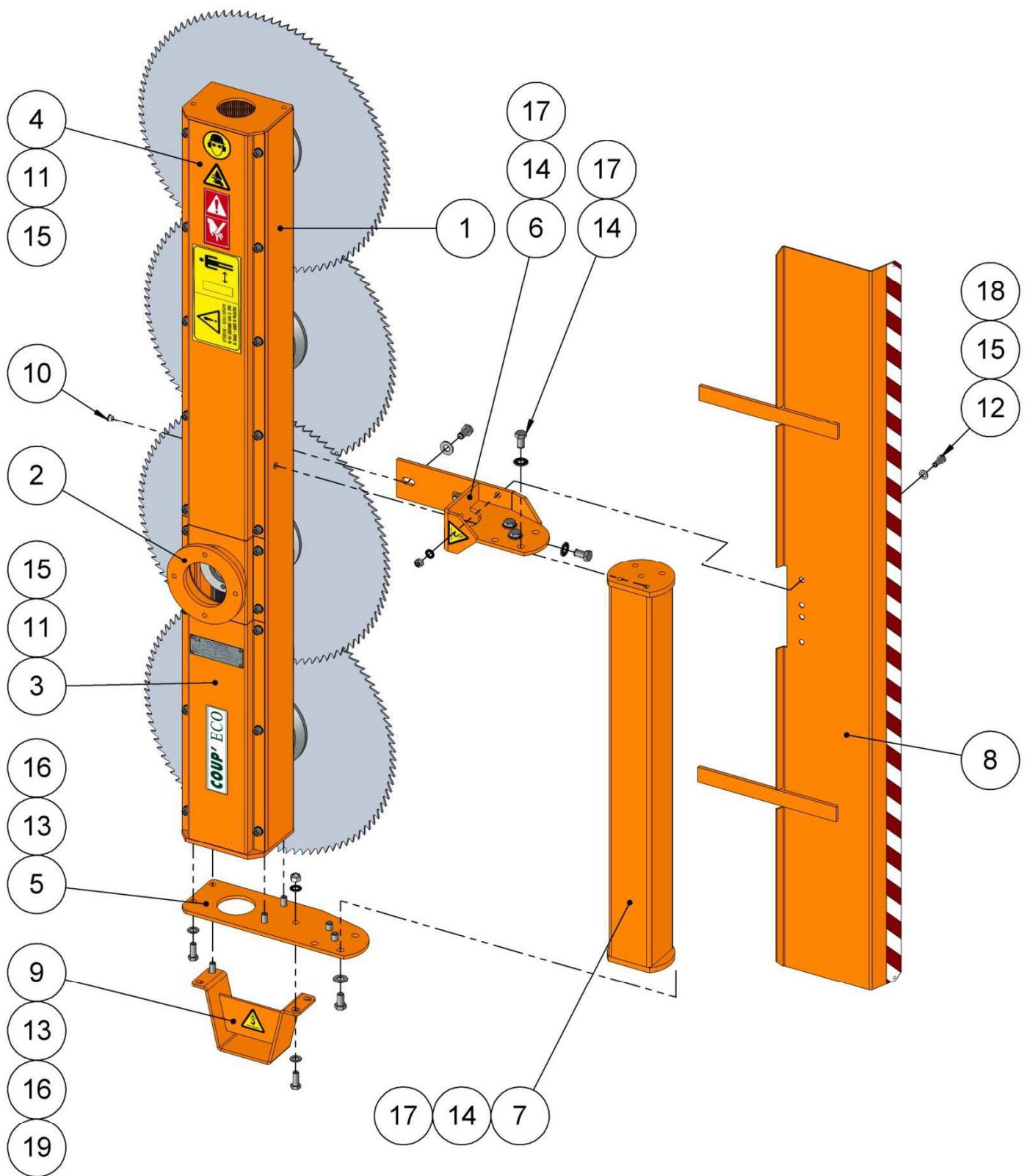
## V- Parts list for a Saw Head model 3600 - welded parts

Item	Reference	Description	Qty
1	30.610.320	Casing	1
2	30.610.050.02	Motor dome	1
3	30.610.002.02	Cover 01	1
4	30.610.303.02	Cover 02	1
5	30.610.031	Mounting 01 - At casing end	1
6	30.610.032	Mounting 02 - On the casing side	1
7	30.610.135	Support tube 70x70	1
	30.610.136	Support tube 80x80	1
	30.650.130	Support tube 100x100	1
8	30.610.340	Rear protective casing	1
9	30.610.048.02	Shoe	1
10	21.870.510	Cap	1
11	21.075.802	M 10 x 20 Allen screw	16
12	21.067.802	Hex head 10x25 screw	2
13	21.067.101	Hex head 12x30 screw	5
14	21.067.209	Hex head 14x25 screw	9
15	21.036.526	10 mm contact washer	20
16	21.036.525	12 mm contact washer	6
17	21.036.528	14 mm contact washer	9
18	21.026.505	M10 hex. lock nut	2
19	21.026.506	M12 hex. lock nut	1



## VI- Parts list for a Saw Head model 4600 - welded parts

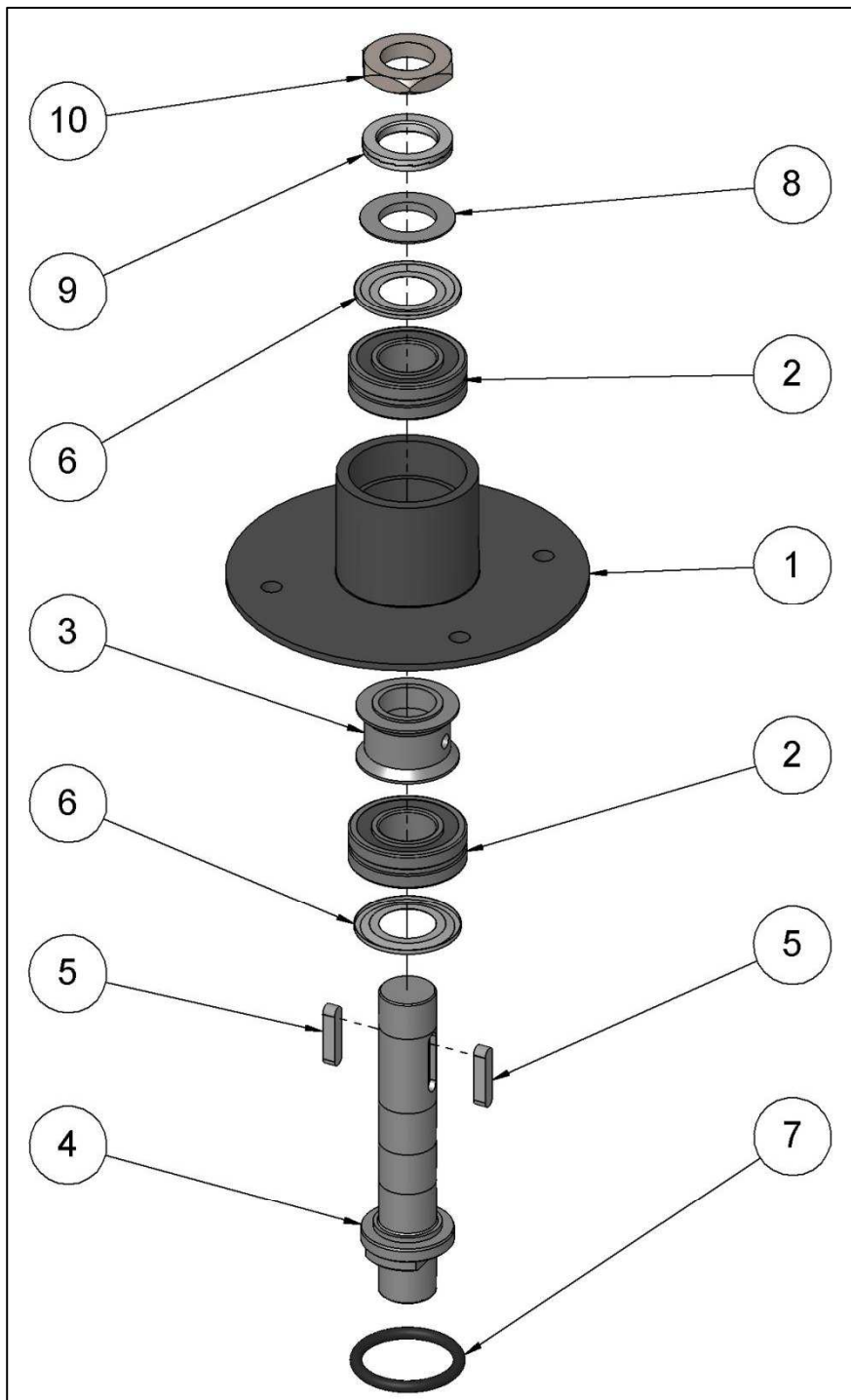
Item	Reference	Description	Qty
1	30.610.020	Casing	1
2	30.610.050.02	Motor dome	1
3	30.610.002.02	Cover 01	1
4	30.610.003.03	Cover 02	1
5	30.610.031	Mounting 01 - At casing end	1
6	30.610.032	Mounting 02 - On the casing side	1
7	30.610.135	Support tube 70x70	1
	30.610.136	Support tube 80x80	1
	30.650.130	Support tube 100x100	1
8	30.610.040	Rear protective casing – right hand mounting	1
	30.610.040G	Rear protective casing – left hand mounting	1
9	30.610.048.02	Shoe	1
10	21.870.510	Cap	1
11	21.075.802	M 10 x 20 Allen screw	20
12	21.067.802	Hex head 10x25 screw	2
13	21.067.101	Hex head 12x30 screw	5
14	21.067.209	Hex head 14x25 screw	9
15	21.036.526	10 mm contact washer	24
16	21.036.525	12 mm contact washer	6
17	21.036.528	14 mm contact washer	9
18	21.026.505	M10 hex. lock nut	2
19	21.026.506	M12 hex. lock nut	1



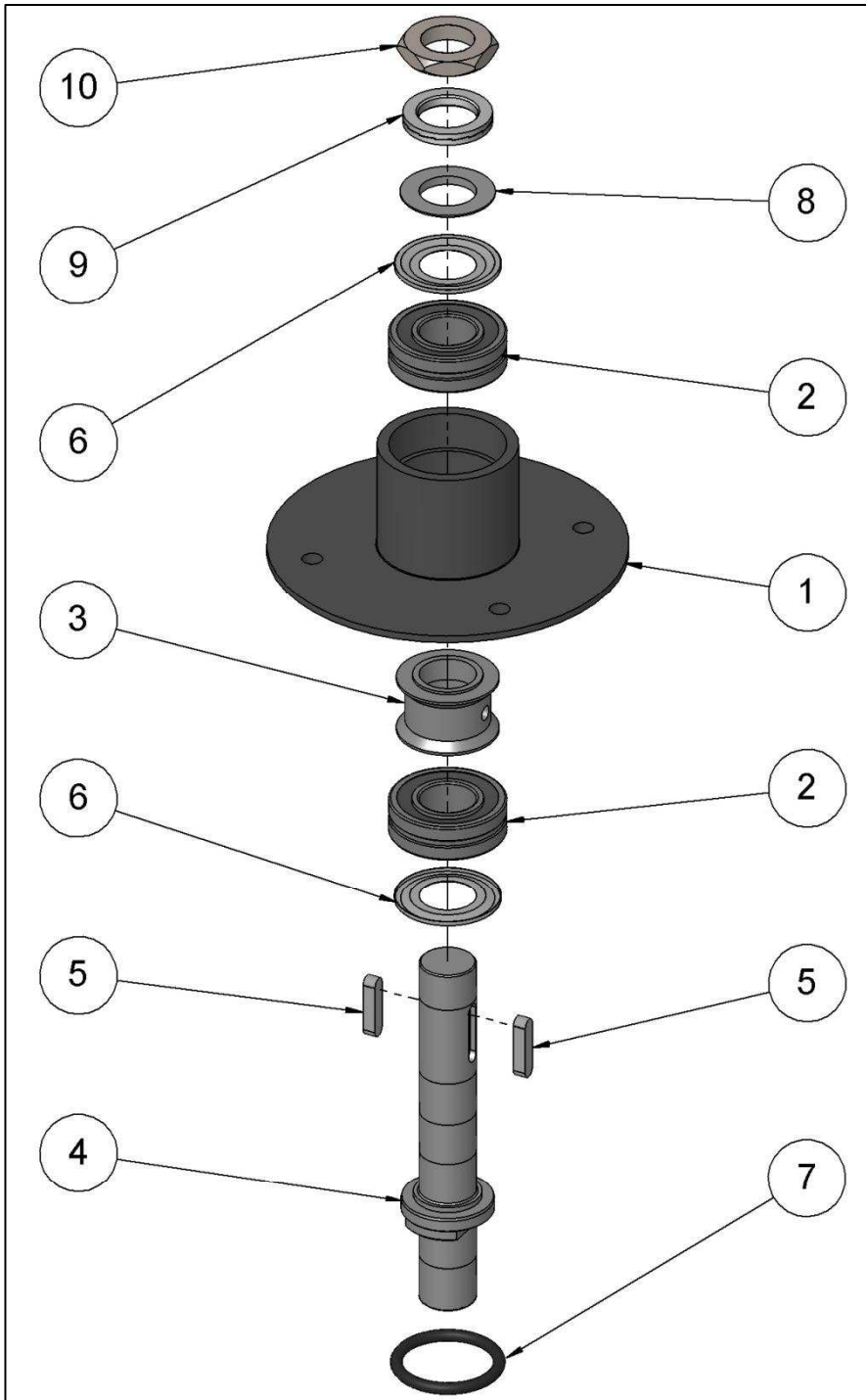
## VII- Bearing assembly

Item	Reference	Description	Qty
1	30.610.103.02	Bearing box	1
2	21.675.601	Bearing 22206 EAW33	2
3	30.100.504.02	Lubrication spacer	1
4	30.610.705.02	Short shaft	1
	30.610.704.02	Long shaft	1
5	21.650.502	Key 8 x 7 x 35	2
6	21.675.004	NILOS seal	2
7	20.581.607	O ring Ø48x6	1
8	30.100.505	Pulley spacer - 5 mm thick	1
9	21.046.501	Nord-Lock NL30 washer	1
10	21.029.102	Lower nut H M30x150 - thickness 9 mm	1

### Short bearing



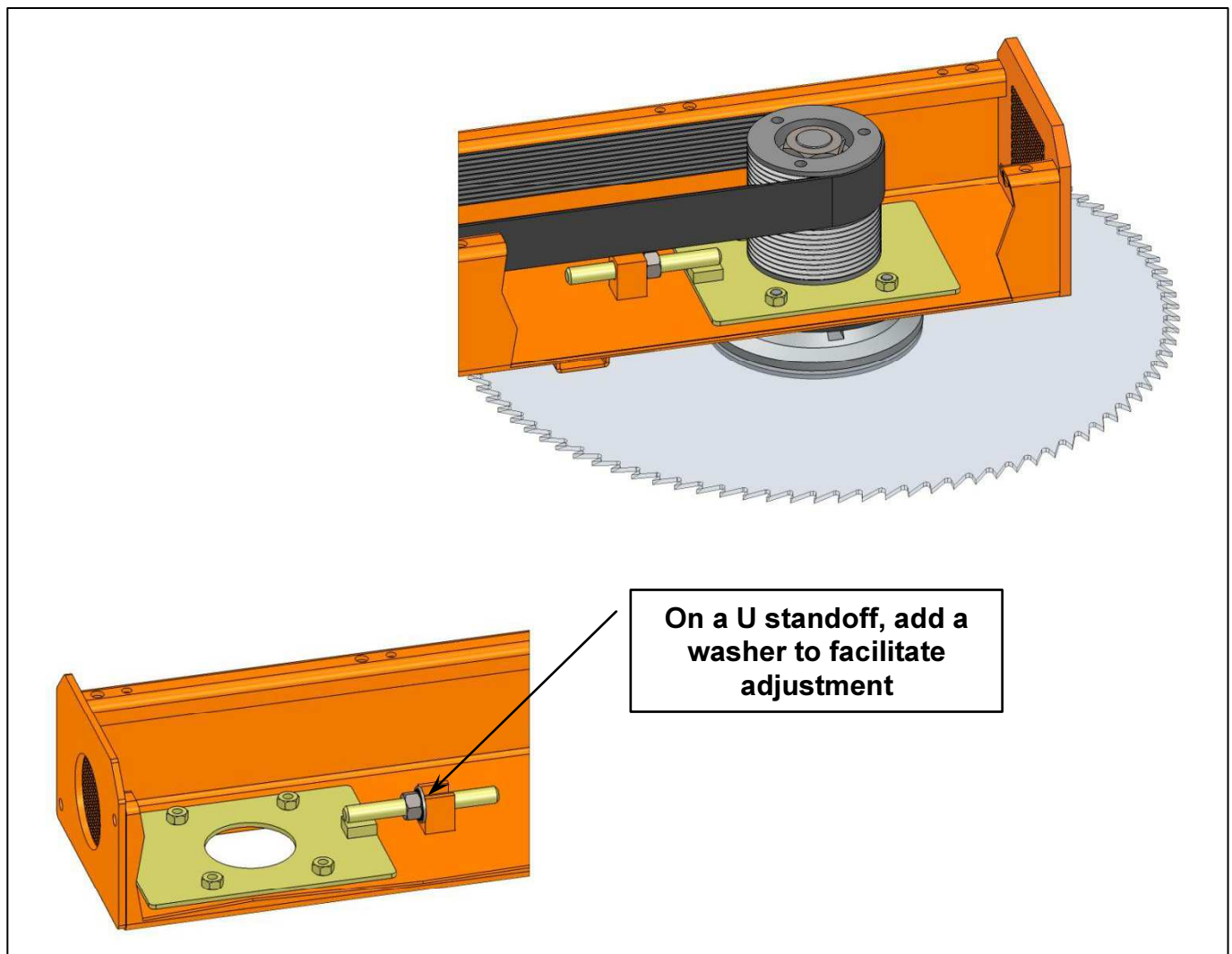
**Long bearing**



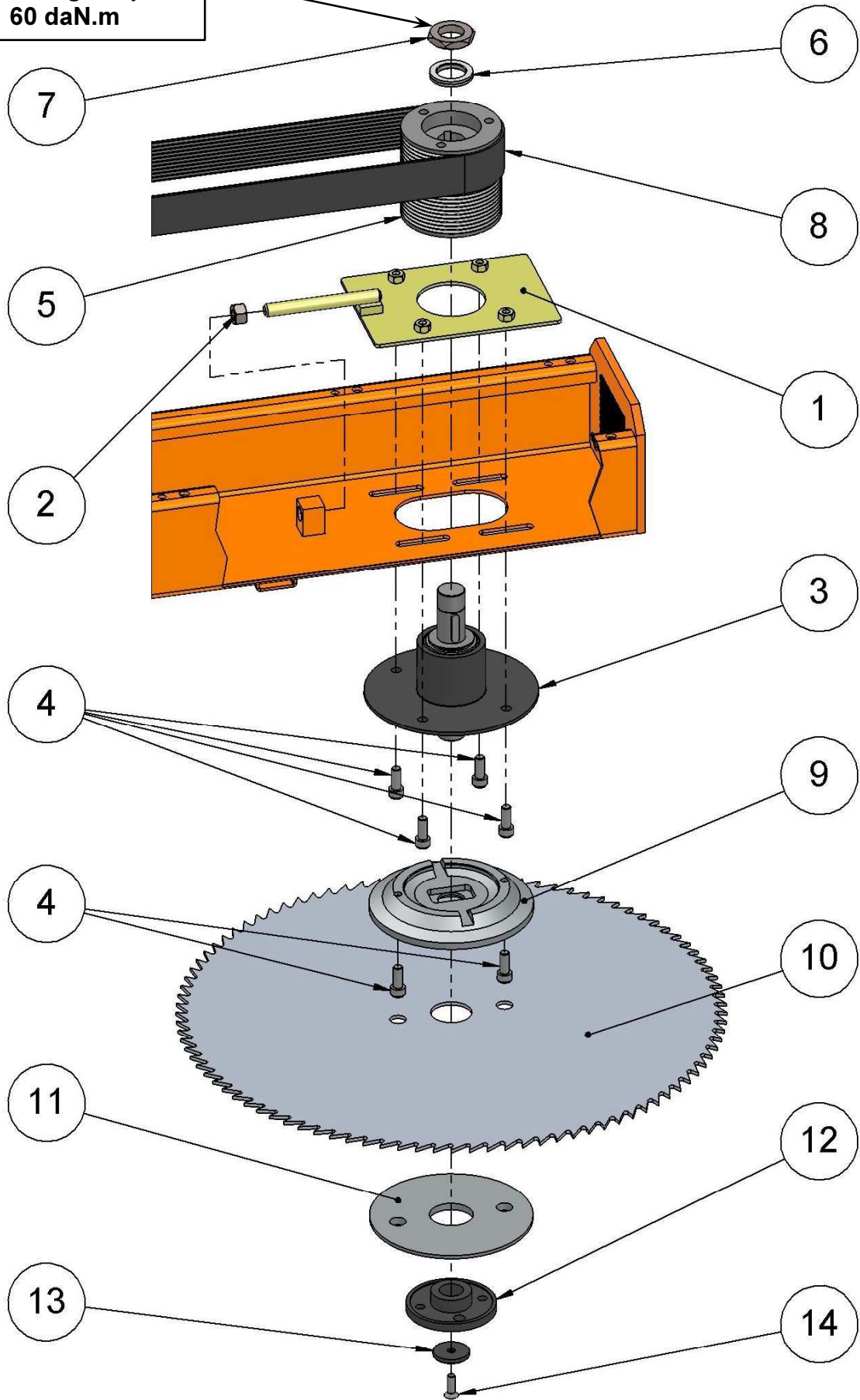
## VIII- Bearings and blades assembly on the case

Item	Reference	Description	Qty
1	30.610.404	Tension plate	1
2	21.020.506	Hex. nut M14	1
3	30.610.704C	Long bearing	1
	30.610.705C	Short bearing	
4	21.075.803	M 10 x 25 Allen screw	6
5	30.610.560	Poly-V Ø110 L10 pulley	1
6	21.046.501	Nord-Lock NL30 washer	1
7	21.029.102	Lower nut H M30x150 - thickness 9 mm	1
8	21.750.505	Poly-V FD 1270 belt	1
9	30.610.303	Counter-flange, short offset	1
	30.610.304	Counter-flange, long offset	
10	35.600.609	Blade Ø600 mm 96 flat teeth	1
11	30.200.504	Clamping flange	1
12	30.100.703	Lock nut	1
13	21.040.050	Stop washer	1
14	21.080.702	Screw TFHC 8x25	1

10 KO-535904507810 Sawblade Widia 590mm x 4.5/3.5



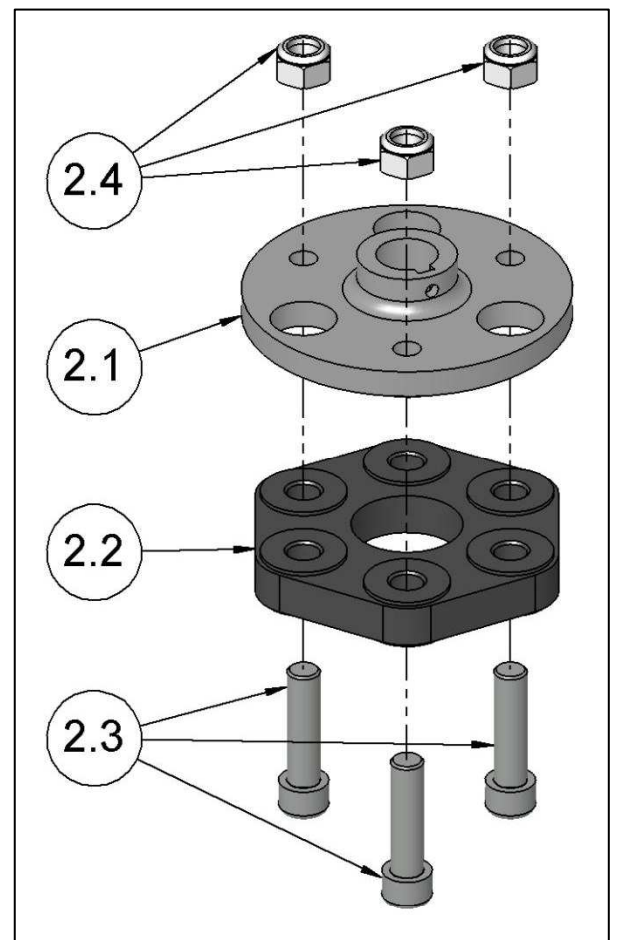
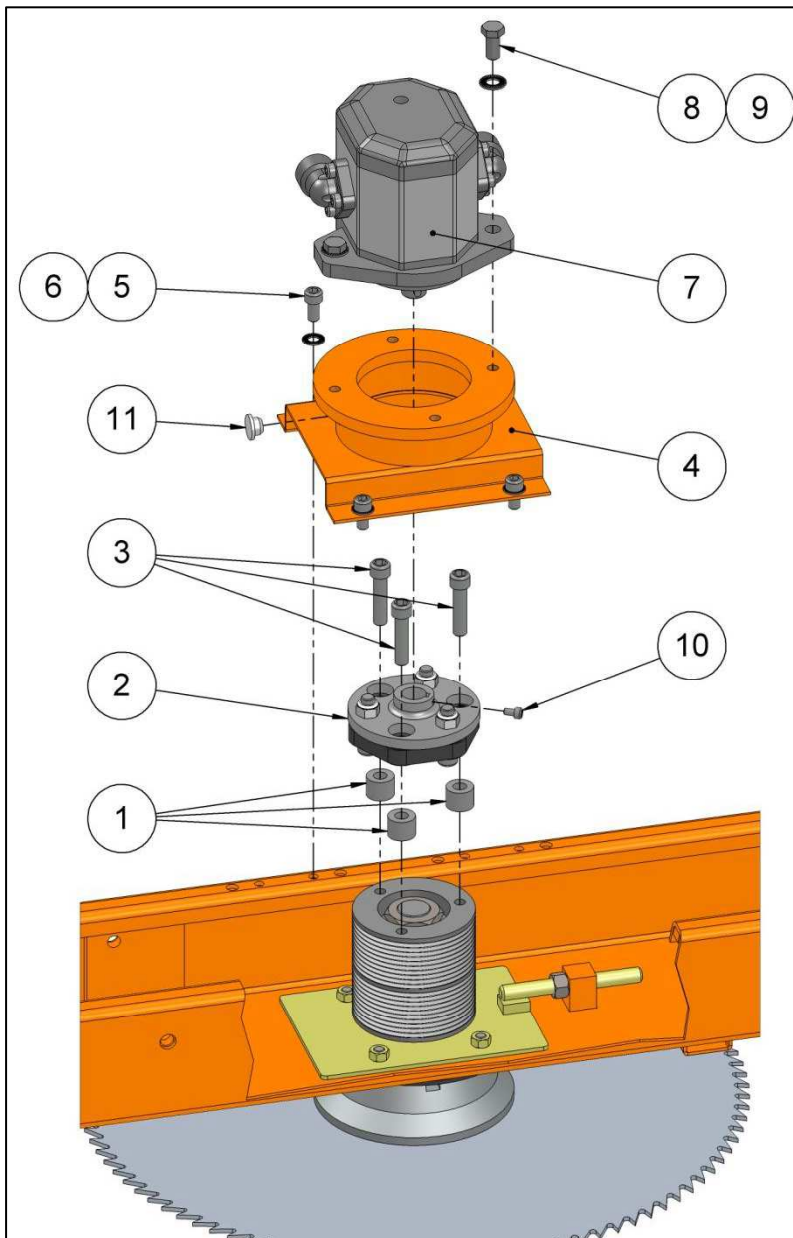
Tightening torque:  
60 daN.m





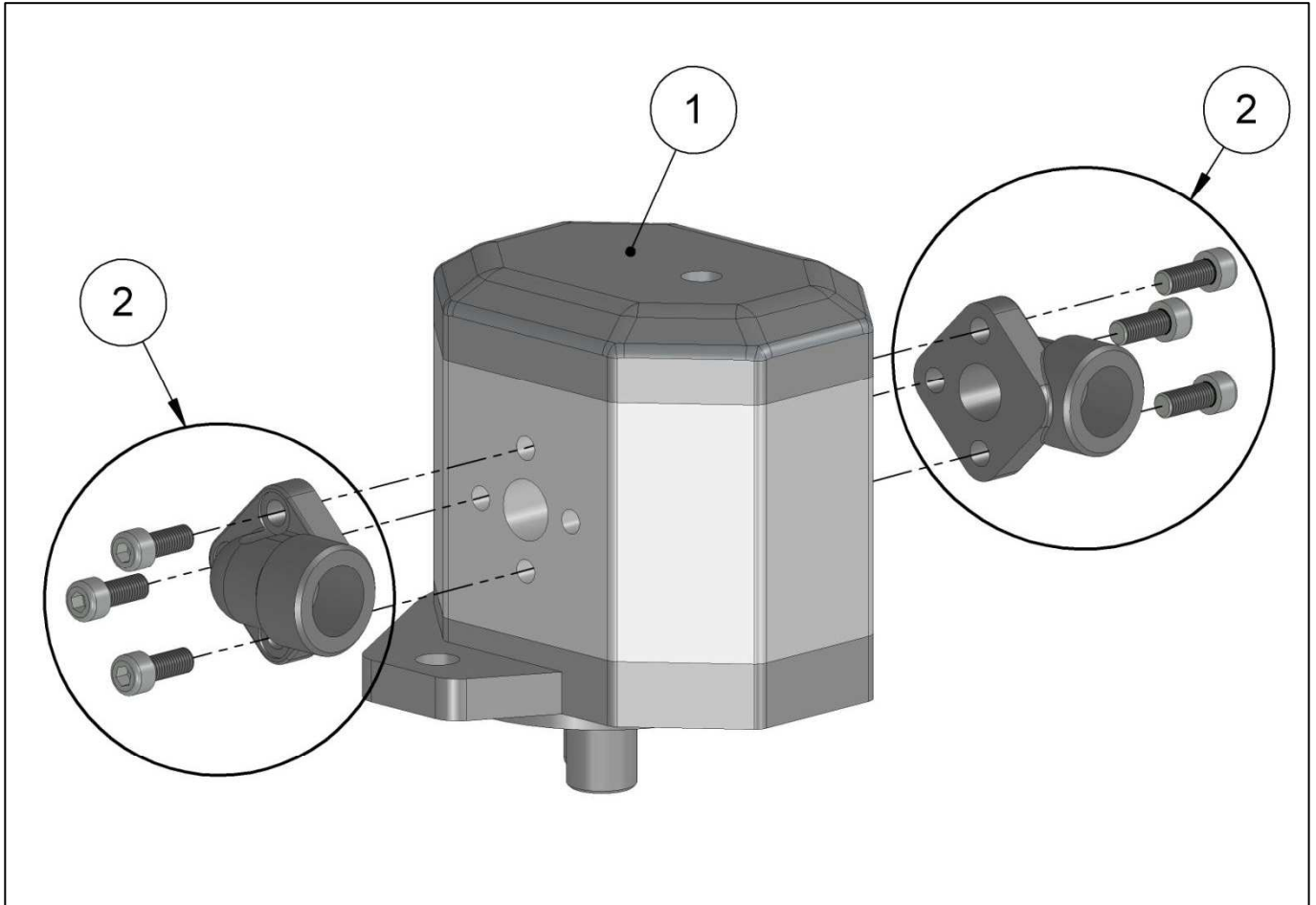
## IX- Coupling assembly - gear motor

Item	Reference	Description	Qty
1	30.610.554	Coupling spacer	3
2	-	Complete coupling	1
2.1	30.610.551.01	Coupling half	1
2.2	21.667.503	Bushing	1
2.3	21.075.106	M 12 x 45 Allen screw	3
2.4	21.026.506	M12 hex. lock nut	3
3	21.075.207	M 12 x 50 Allen screw	3
4	30.610.050.02	Motor dome	1
5	21.075.802	M 10 x 20 Allen screw	4
6	21.036.526	10 mm contact washer	4
7	-	Gear motor equipped with flanges	1
8	21.075.709	Hex head 12x25 screw	2
9	21.036.525	12 mm contact washer	2
10	21.075.601	M 6 x 10 Allen screw	1
11	GPN.900.165	Caps Ø16.5 x 9	1



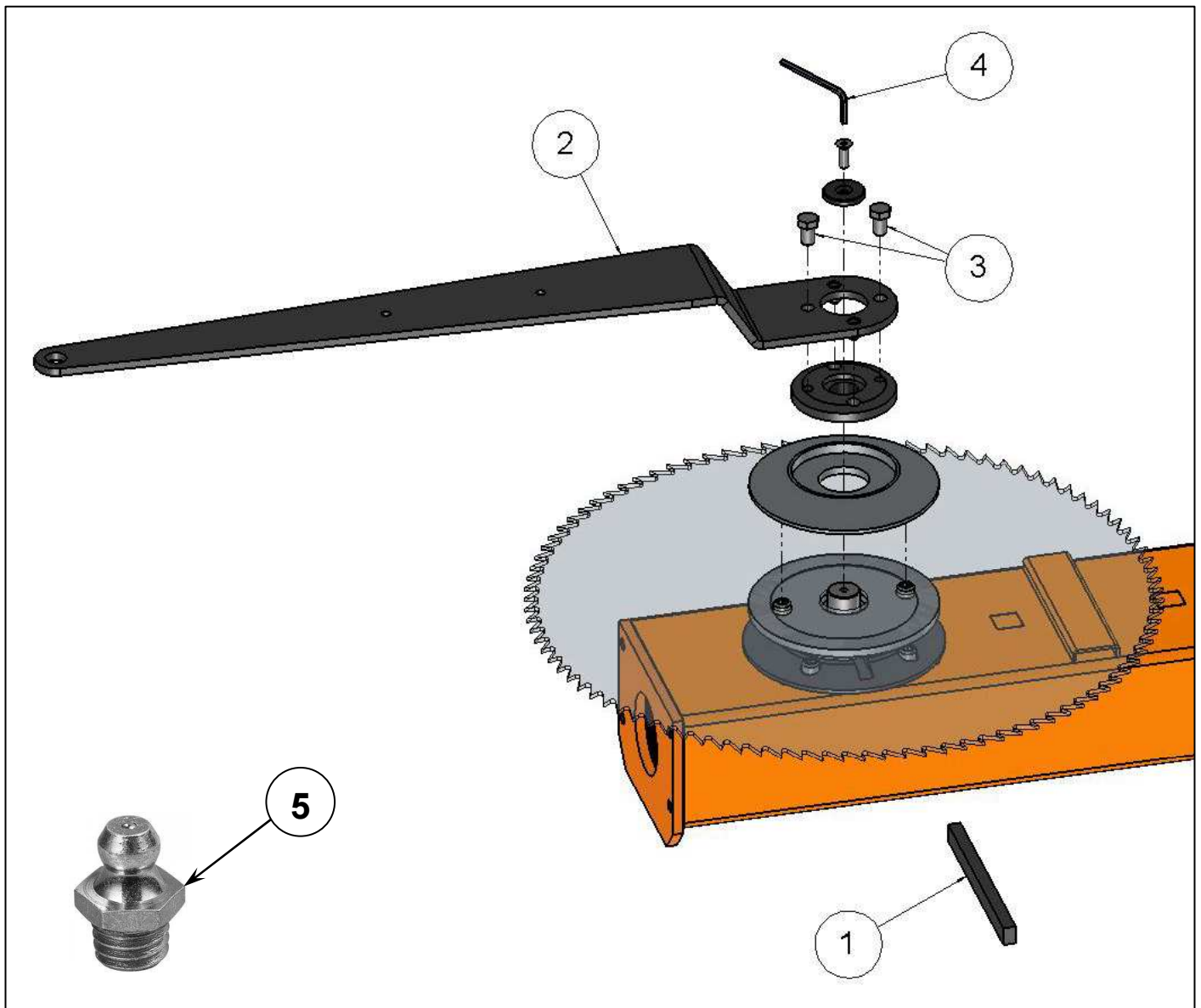
## X- Gear motor equipped

Item	Reference	Description	Qty
1	21.620.200	Gear motor Gr.3 22 cm <sup>3</sup>	1
2	21.640.510	40x40 3/4 flange	2
3	21.560.709	Motor shaft key (not shown)	1



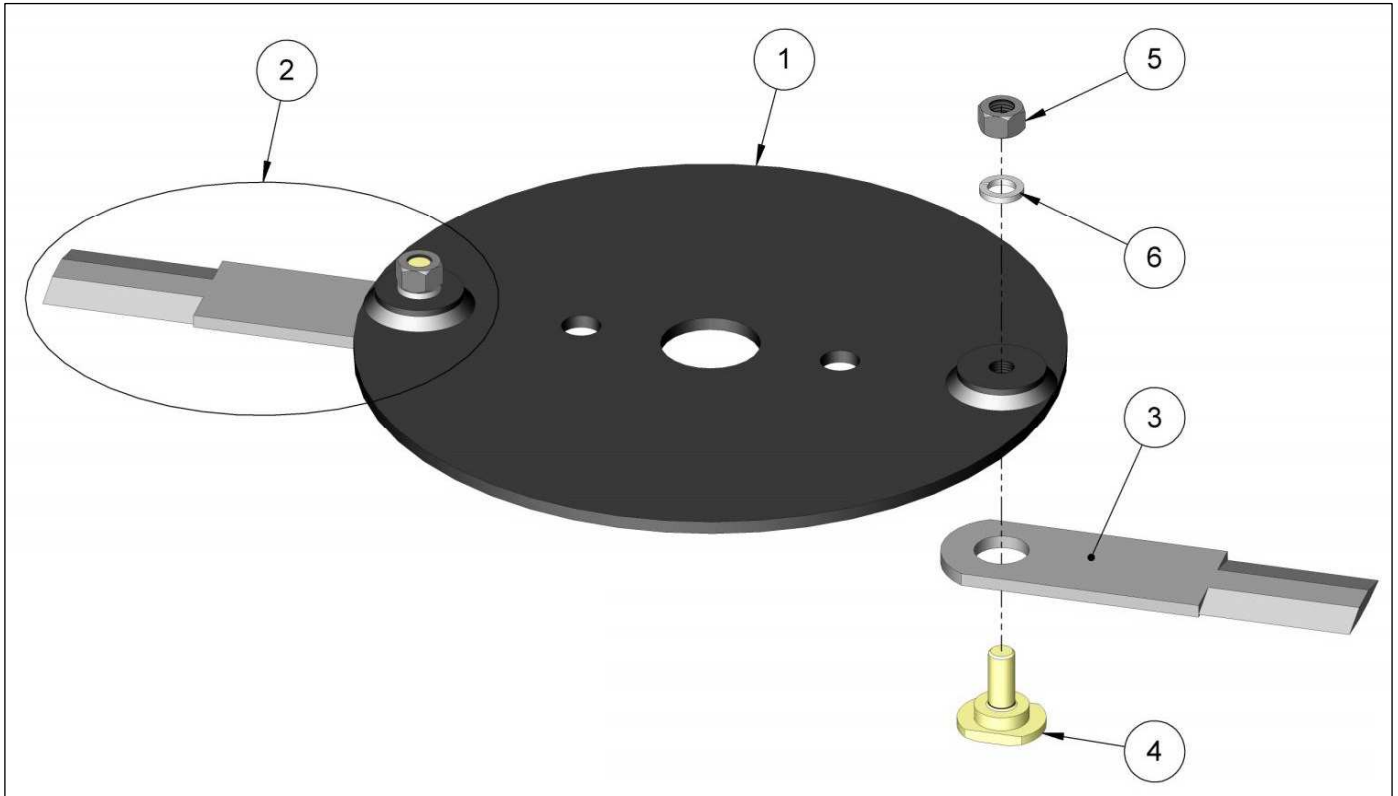
## XI- Tooling - Mounting / Unmounting blades

Item	Reference	Description	Qty
1	30.610.755	Lock pin	1
2	30.650.116	Saw head tightening wrench	1
3	21.065.940	M 12 x 20 Allen screw	2
4	30.700.750	A 5mm Allen wrench	1
5	21.886.005	Straight M8x125 grease nipple (for greasing bearings)	1



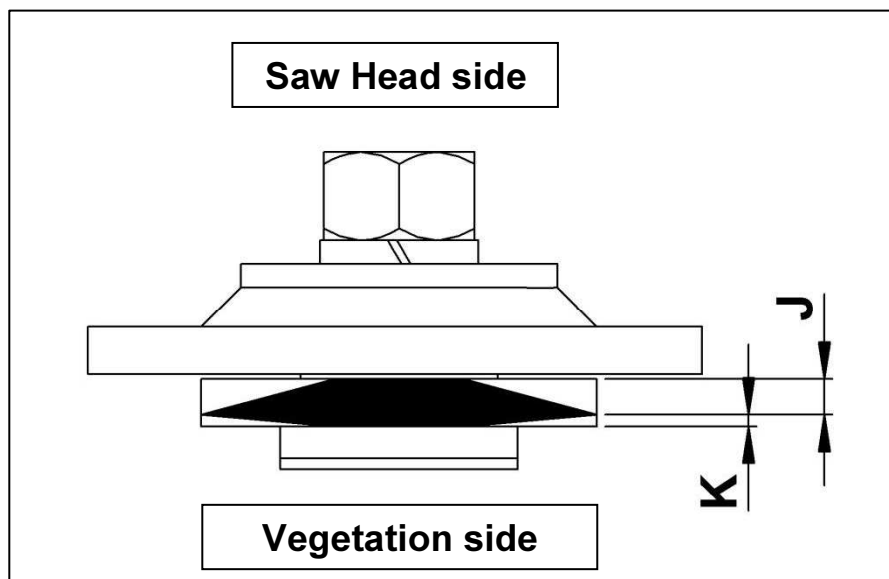
## XII- Flail blades assembly on a single plate

Item	Reference	Description	Qty
-	30.600.650	Complete flail blade	1
1	35.200.302	Unequipped single disc	1
2	30.702.451	Kit of 2 knives with bolts	1
3	-	Dual sided, dual angle knife blade	2
4	-	Knife blade bolt	2
5	-	Hex head UNF 1/2" HU 20 ZBJ nut	2
6	-	Grower washer, 1/2"	2



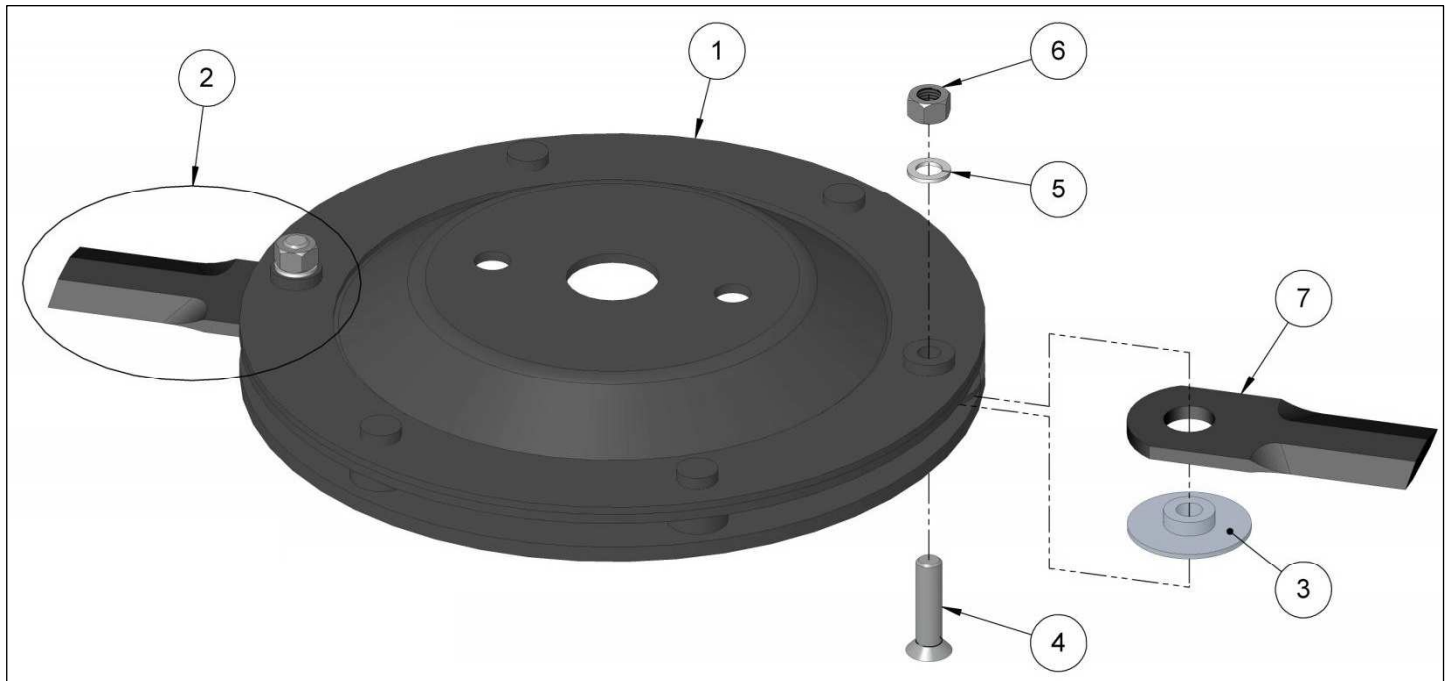
### **Cutting blade mounting direction:**

The small groove (**K**) must be mounted on the vegetation side. If there is no dual angle, the large angle side (**J**) will always be mounted on the saw head side.



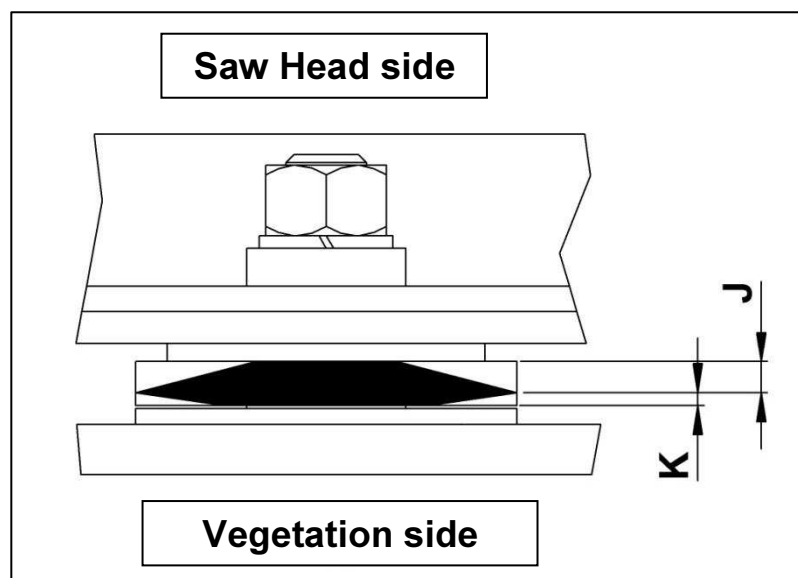
### XIII- Flail blades assembly on reinforced stamped plate

Item	Reference	Description	Qty
-	14.500.704C	Reinforced knives blade equipped with 2 knives and bolts	1
1	14.500.702	Bare reinforced stamped plate	1
2	30.702.453C	Kit of 2 knives with bolts	1
3	-	Shoulder washer	2
4	-	FHC UNF 1/2" screw	2
5	-	Grower washer, 1/2"	2
6	-	Hex head UNF 1/2" HU 20 ZBJ nut	2
7	-	Dual sided, dual angle blade	2



#### **Cutting blade mounting direction:**

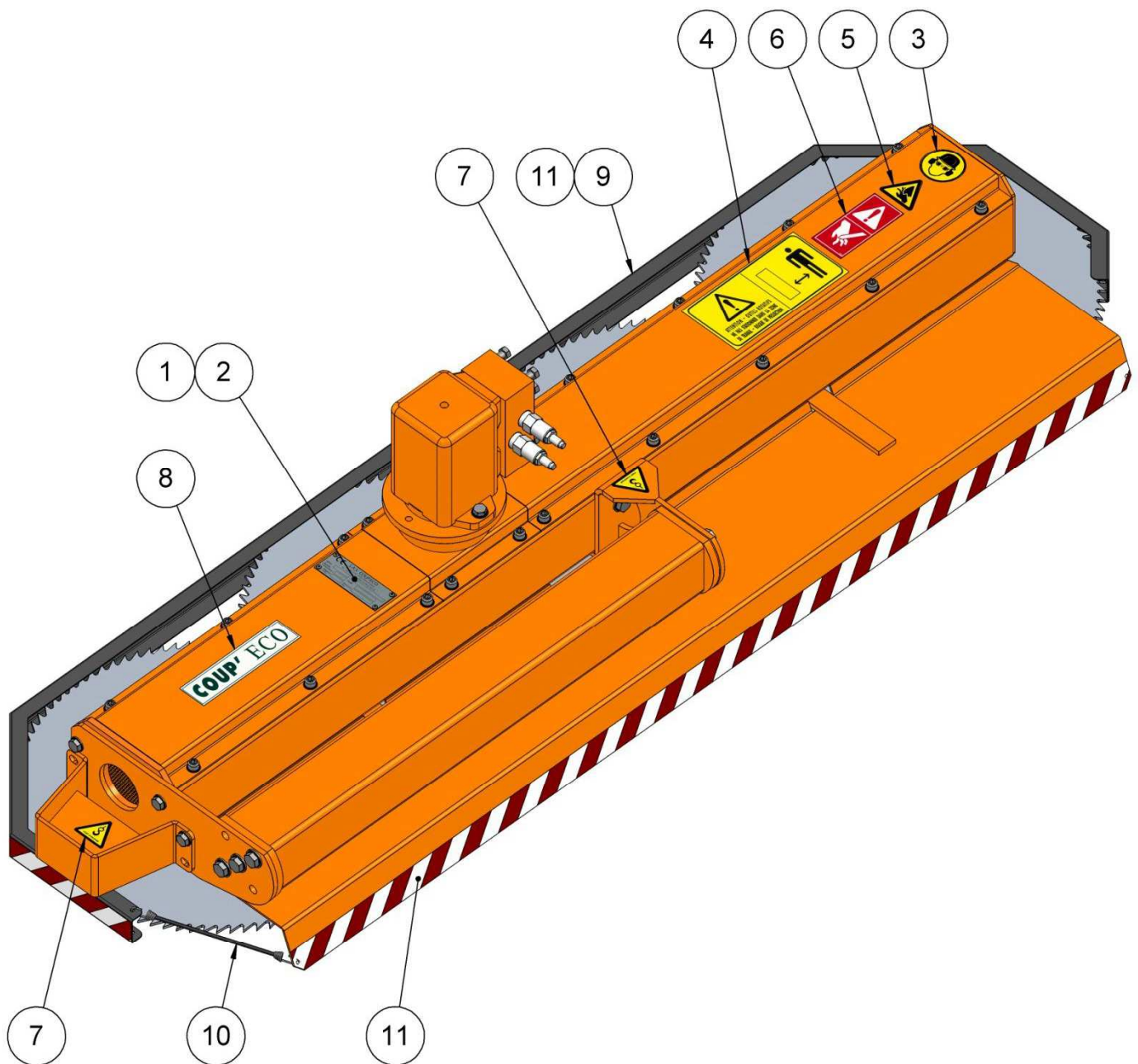
The small groove (**K**) must be mounted on the vegetation side. If there is no dual angle, the large angle side (**J**) will always be mounted on the saw head side.

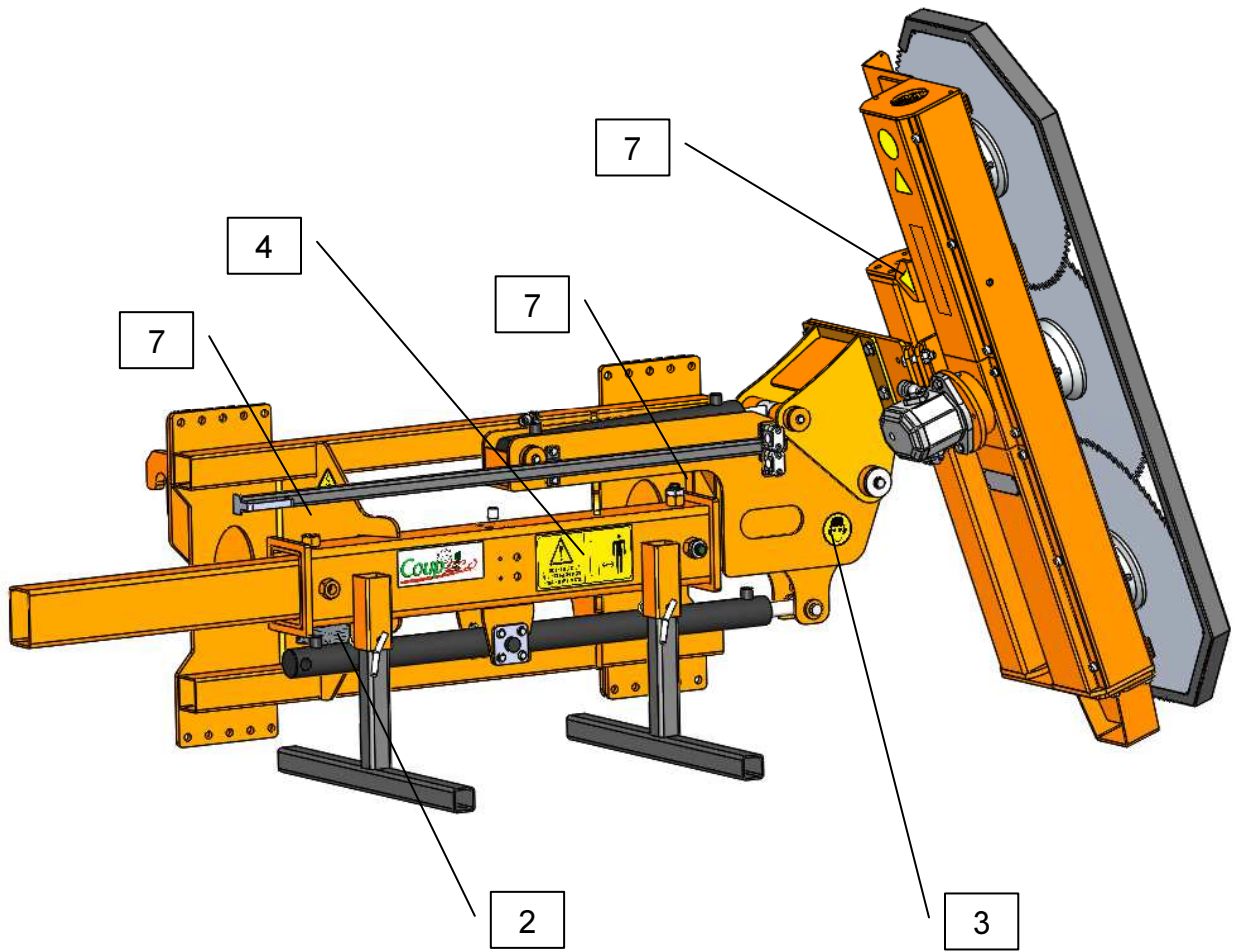




## XIV- Safety adhesives

Item	Reference	Description	Qty
1	21.087.412	Ø4x12 pop rivet	4
2	25.550.001	European ratings plate	1
3	25.550.017	Safety label - Protection for head, eyes and ears	1
4	25.550.002	Safety label - Do not stay in this area	1
5	25.550.029	Safety label - Cutting/amputation hazard	1
6	25.550.035	Safety label - Cutting tool	1
7	25.550.018	Safety label - Anchor point	2
8	25.550.003	COUP'ECO label	1
9	30.610.C02	Model 2600 blade cover	1
	30.610.CL3	Model 3600 blade cover	
	30.610.CL4	Model 4600 blade cover	
10	13.000.100	Black polyethylene strap, Length 200 mm Ø6	1
11	25.500.002	Black/red safety tape	-

















**COUP'ECO S.A.  
Z.I. du Chail  
17800 PONS  
FRANCE**

**Tel. +33 (0)5.46.96.25.50  
Fax: +33 (0)5.46.94.64.72  
[coupeco@coupeco.com](mailto:coupeco@coupeco.com)**

**Incorporated with capital of €100,000  
Saintes Trade Register B 401 895 883  
SIRET 401 895 883 00023  
APE code 285 D**

**[www.coupeco.com](http://www.coupeco.com)**