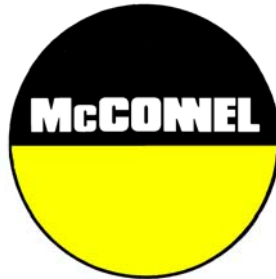


TOPPER-9 Parts Manual



For best performance...

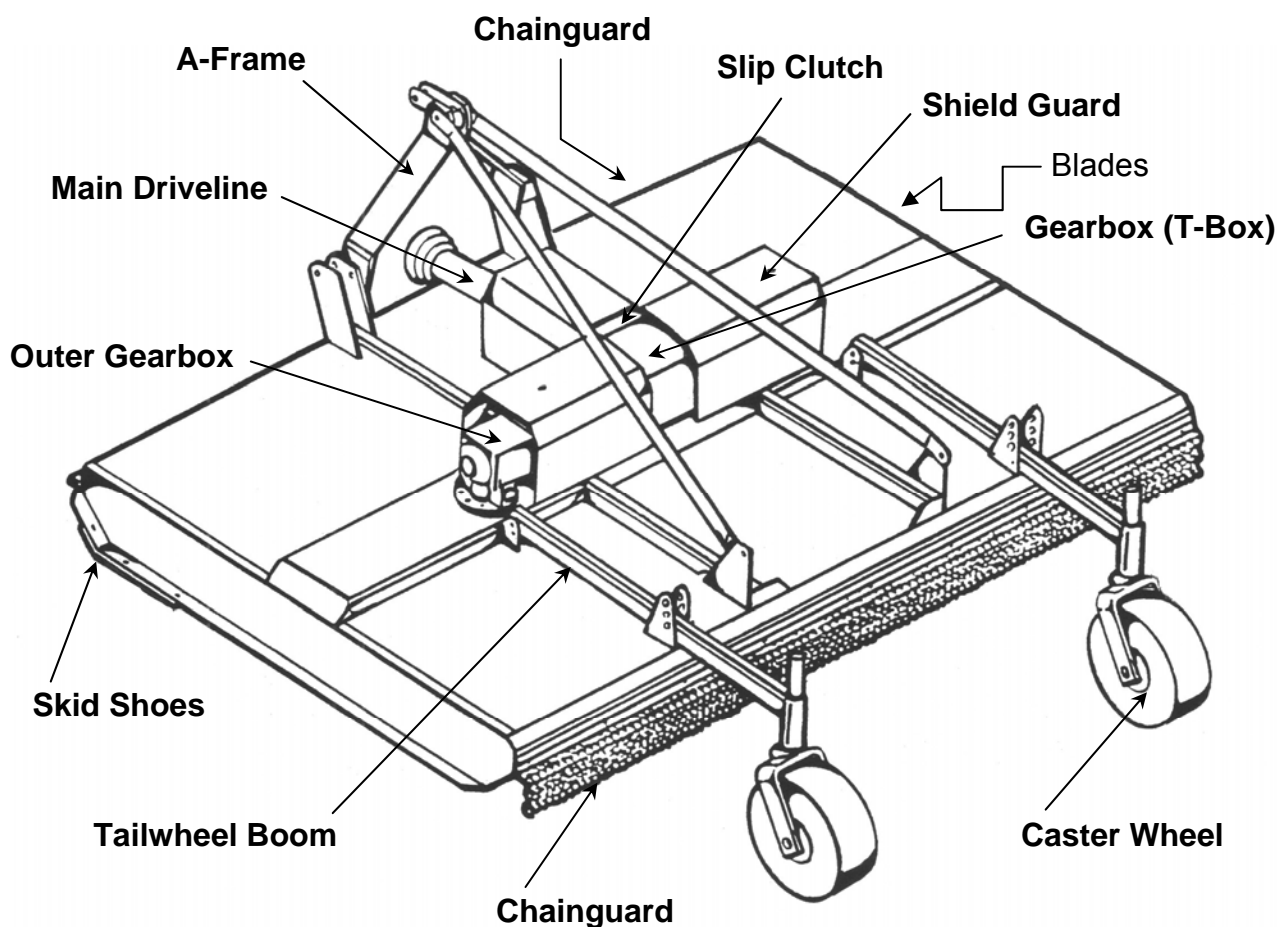
USE ONLY McCONNEL SERVICE PARTS

To be assured of the latest design improvements purchase your 'Genuine Replacements' from the Original Equipment Manufacturer: McCONNEL Ltd. through your local Dealer or Stockist.

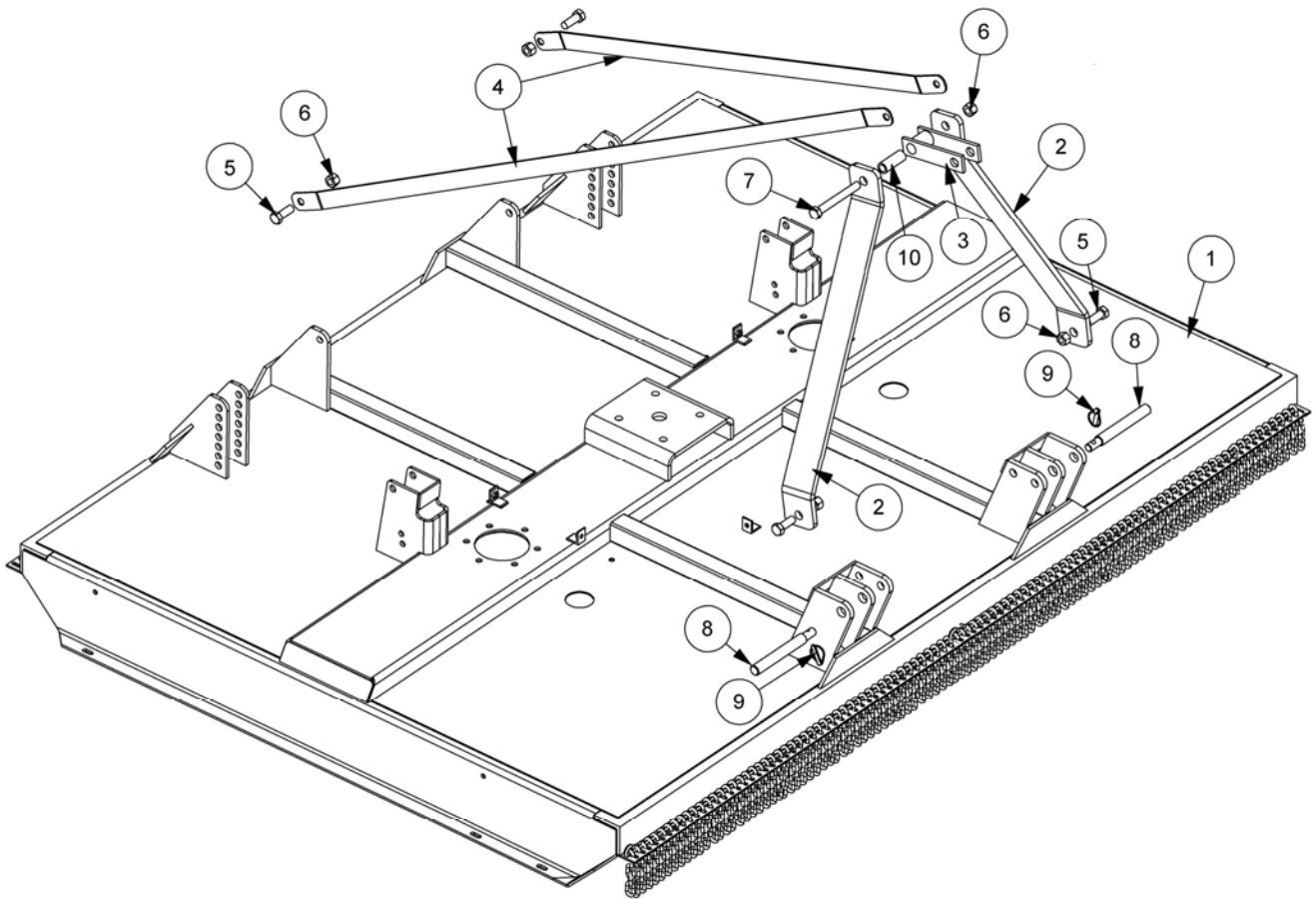
Always quote:

- *Machine Type*
- *Serial Number*
- *Part Number*

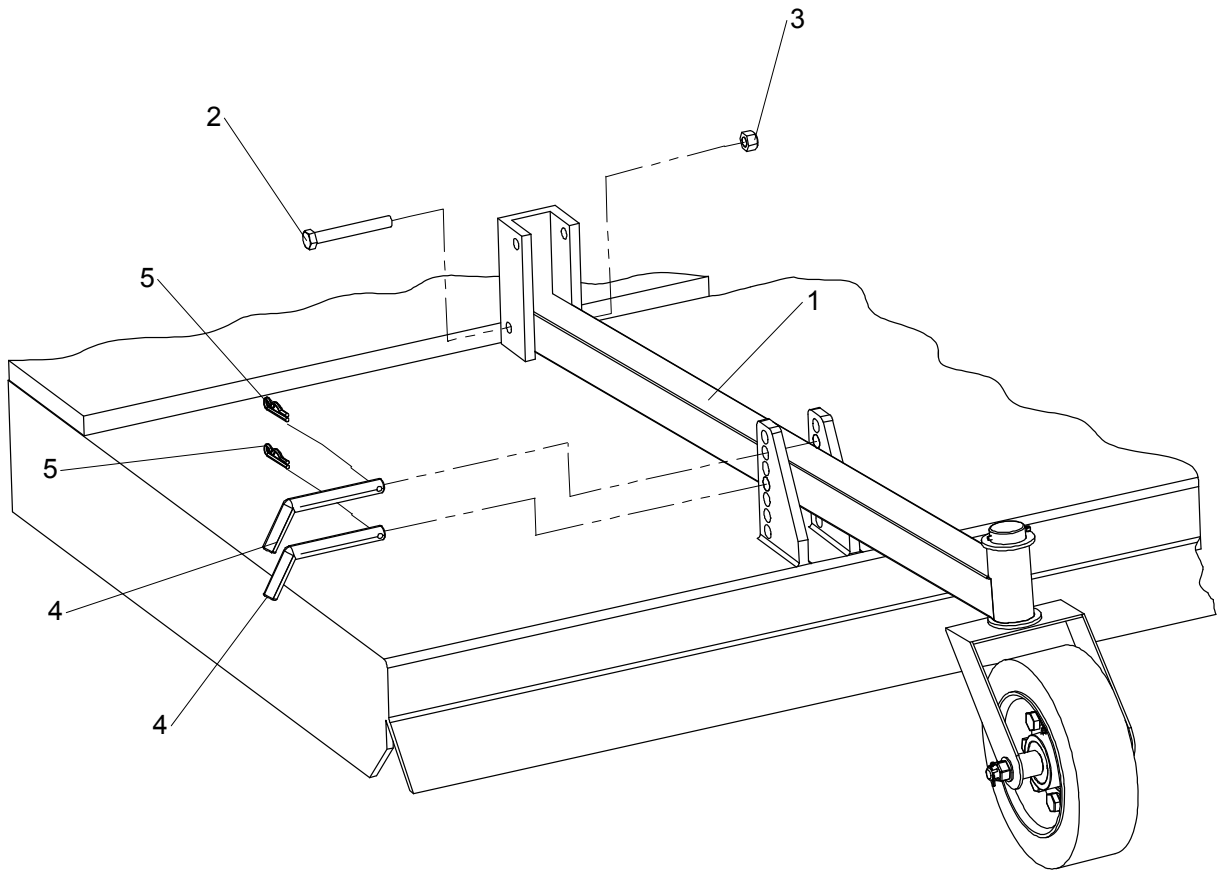
***Design Improvements may have altered some of the parts listed in this manual –
The latest part will always be supplied when it is interchangeable with an earlier one.***



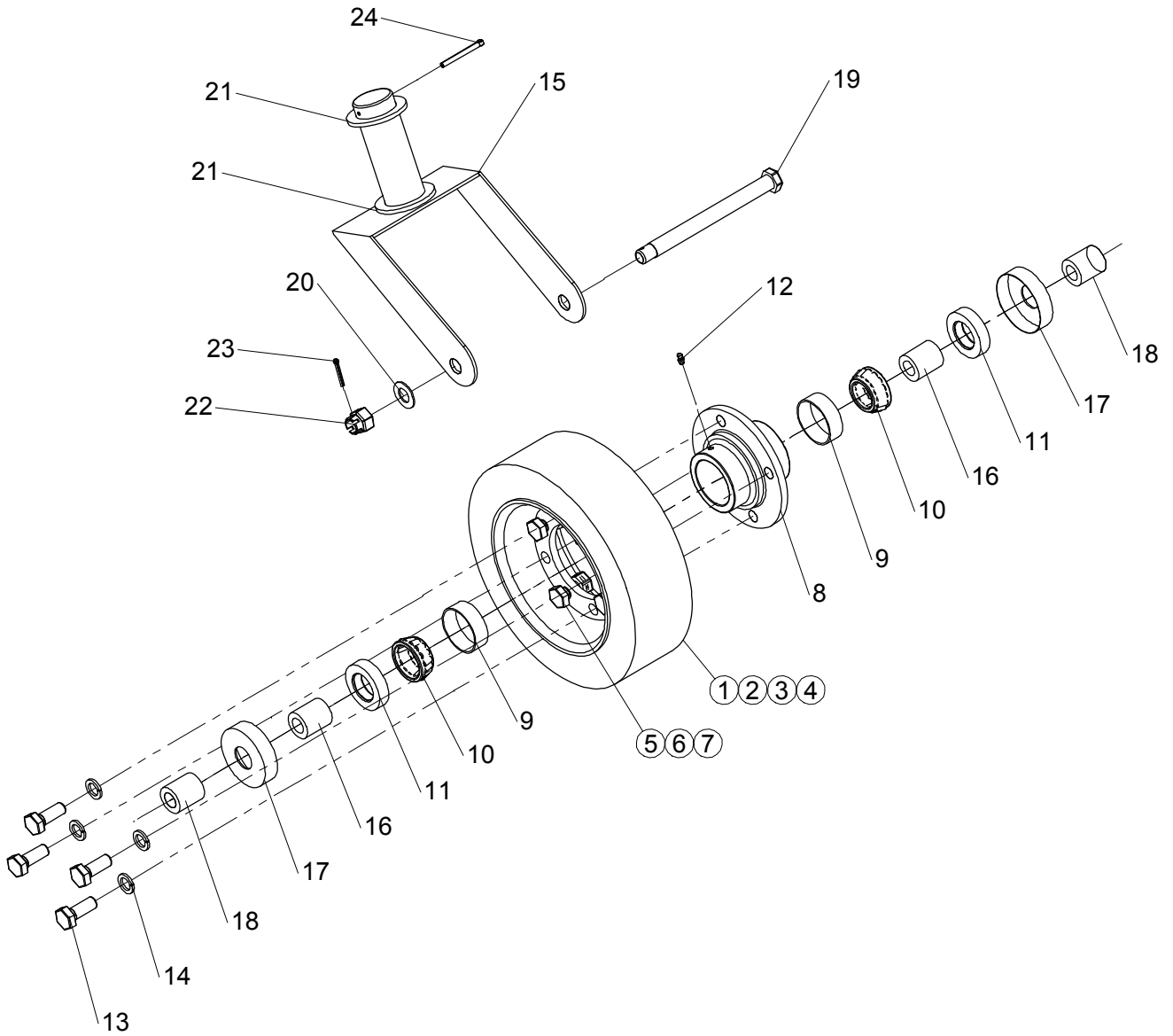
COMPONENT	PAGE No.
A-FRAME	40
TAILWHEEL BOOM	41
CASTER WHEEL	42
MAIN DRIVELINE	44
SLIP CLUTCH	46
GEARBOX (T-BOX)	47
OUTER GEARBOX	48
GEARBOX MOUNTING	50
BLADES	51
GUARD SHIELD	52
CHAINGUARD	54
SKID SHOES	55



REF.	QTY.	PART No.	DESCRIPTION
1	1	1028310	DECK
2	2	00764560	'A' FRAME HALF
3	1	00760959	LINK
4	2	00764568	BRACE
5	4	9313118	BOLT
6	5	9143008	CLEVELOK NUT
7	1	9213328	BOLT
8	2	1028027	LOWER LINK PIN
9	2	0431217	LYNCH PIN
10	1	1028003	SPACER



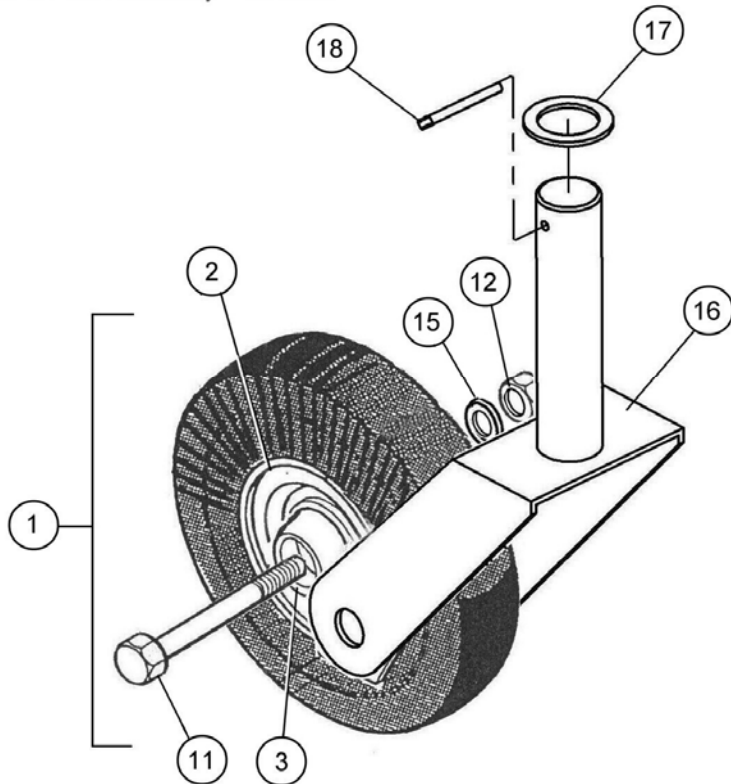
REF.	QTY.	PART No.	DESCRIPTION
1	2	00763808	TAILWHEEL BEAM
2	2	9213247	BOLT M16 x 120
3	2	9143007	CLEVELOK NUT M16
4	4	7192026	PIN
5	4	0431105	R CLIP



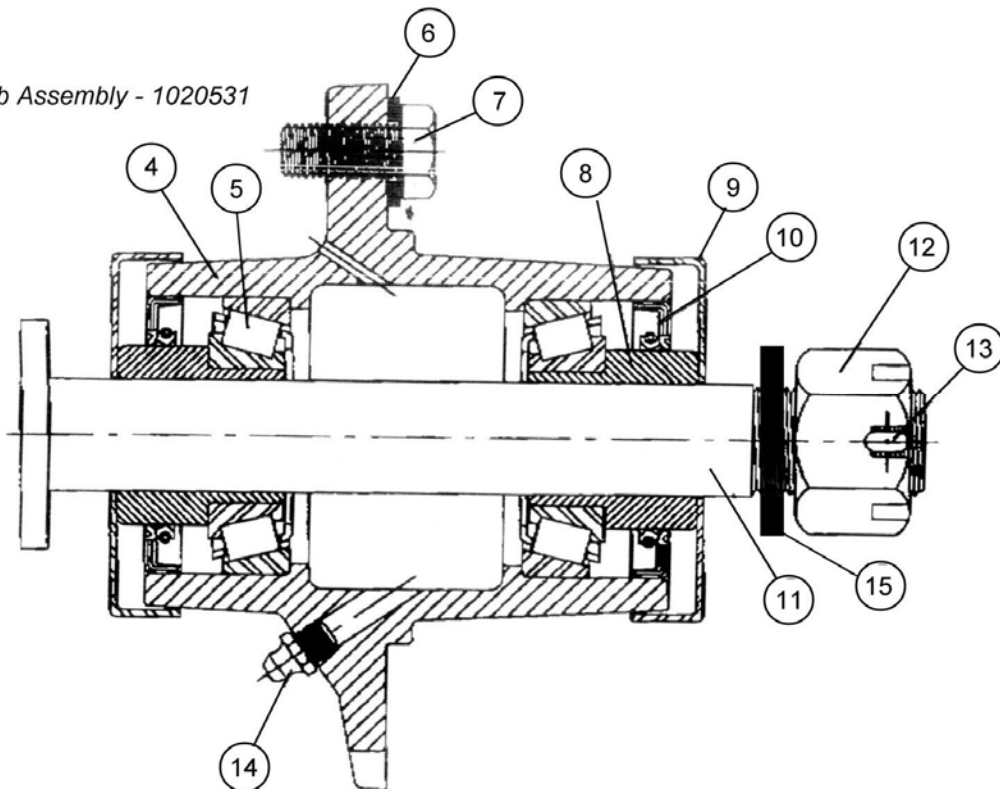
TOPPER-9

REF.	QTY.	PART No.	DESCRIPTION
		0585020200	CASTER ASSEMBLY
1	1	373024H	TYRE AND WHEEL ASSEMBLY - comprising of:
2	1	373024	WHEEL ASSEMBLY
3	1	373024A	TYRE
4	1	373024B	WHEEL - BOLTED ASSEMBLY c/w
5	4	7A6166	BOLT
6	4	00012101	LOCKWASHER
7	4	00013901	NUT
8	1	373024D	HUB ASSEMBLY c/w BEARINGS & SEALS
9	2	00750621	BEARING CUP
10	2	373024F	BEARING CONE
11	2	373024E	GREASE SEAL
12	1	00752670	GREASE FITTING
13	4	7A8208	BOLT
14	4	00001300	LOCKWASHER
15	1	0585020210	FORK WELDMENT
16	2	37302C2C	SHOULDER SLEEVE
17	2	37302D2B	DUST CAP
18	2	511016	SPACER BUSHING
19	1	37302D2A	SPINDLE BOLT
20	1	15B1200	WASHER
21	2	15B2400	WASHER
22	1	5E12160	CASTLE NUT
23	1	00026200	SPLIT PIN
24	1	00758899	SPLIT PIN

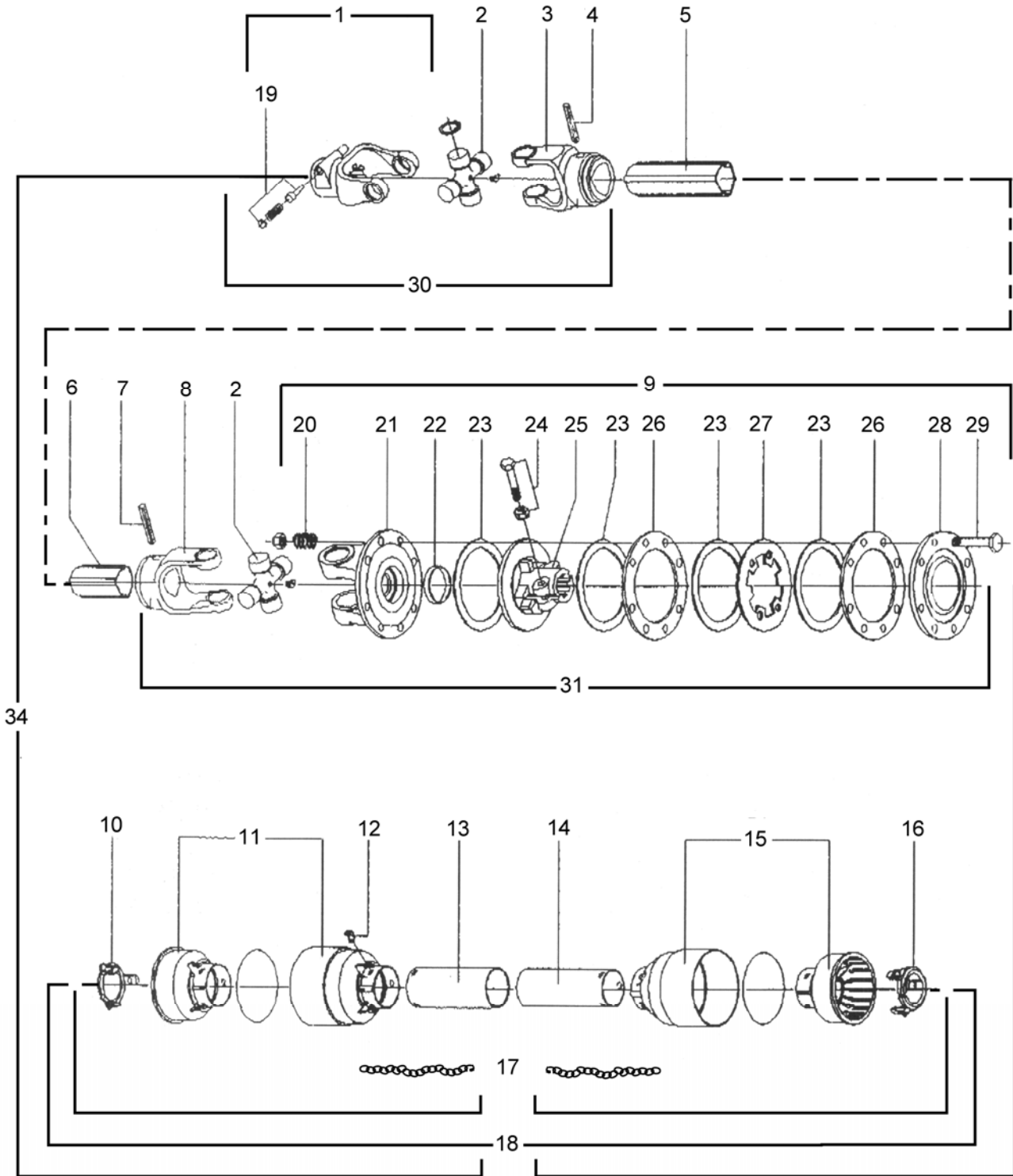
Tail Wheel & Fork Assembly - 1028307



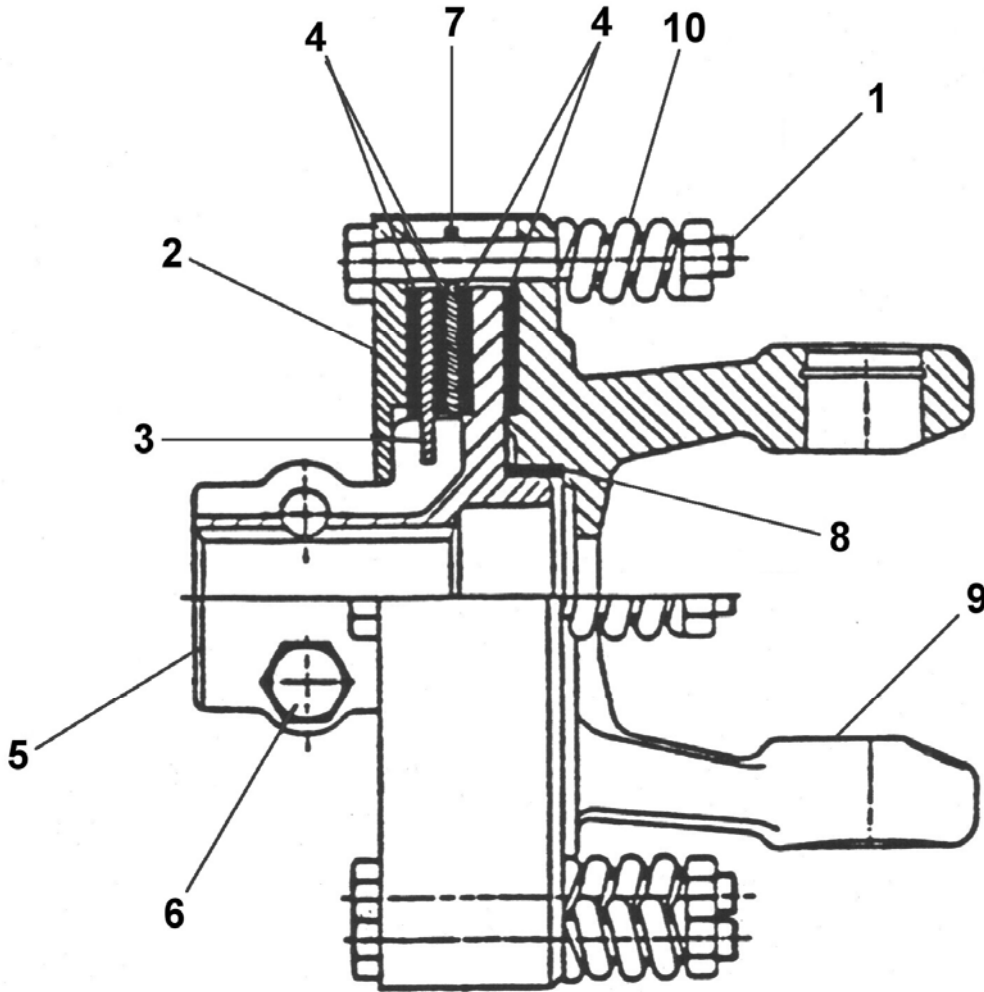
Hub Assembly - 1020531



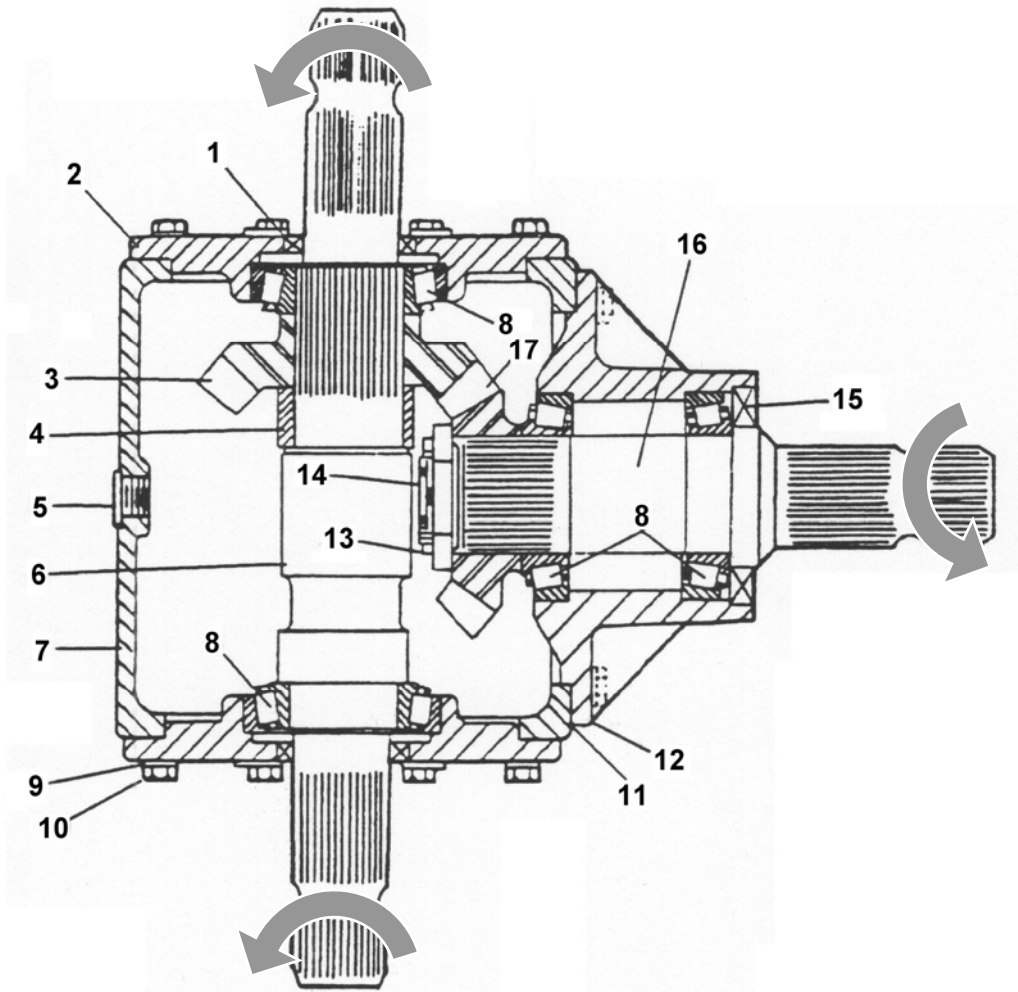
REF.	QTY.	PART No.	DESCRIPTION
		1028307	TAILWHEEL & FORK ASSEMBLY
1	1	1020519	WHEEL ASSEMBLY - <i>comprising of:</i>
2	1	1020532	TYRE & WHEEL ASSEMBLY
3	1	1020531	HUB ASSEMBLY - <i>comprising of:</i>
4	1	1020540	HUB
5	2	1020541	TAPERED BEARING
6	4	1020542	FLAT WASHER
7	4	9313056	HEX HEAD BOLT
8	2	1020543	STEP BUSHING
9	2	1020544	DUST CAP
10	2	1020545	OIL SEAL
11	1	1020546	SPINDLE BOLT
12	1	1020547	SPINDLE NUT
13	1	0503165	COTTER PIN
14	1	1020548	GREASE NIPPLE
15	1	1020550	WASHER
16	1	1028308	CASTER FORK
17	1	1020552	WASHER
18	1	1020551	COTTER PIN



REF.	QTY.	PART No.	DESCRIPTION
		00761322CE	PTO SHAFT ASSEMBLY
1	1	1028042	PUSH PIN YOKE 112
2	2	1028043	CROSS JOURNAL SET
3	1	1028044	OUTER YOKE
4	1	1028045	ROLL PIN - OUTER TUBE
5	1	1028046	OUTER TUBE
6	1	1028047	INNER TUBE
7	1	1028048	ROLL PIN - INNER TUBE
8	1	1028049	INNER YOKE
9	1	1028062	COMPLETE DISC CLUTCH F45
10	1	1028050	GUARD RETAINING COLLAR - OUTER TUBE
11	1	1028051	CONE - OUTER TUBE
12	6	1028052	BOLT
13	1	1028053	OUTER GUARD
14	1	1028054	INNER GUARD
15	1	1028055	CONE - INNER TUBE
16	1	1028056	GUARD RETAINING COLLAR - INNER TUBE
17	2	1028058	SAFETY CHAINS
18	1	1028059	COMPLETE GUARD c/w INSTRUCTION MANUAL
19	1	1028057	PUSH PIN SET
20	8	1028032	SPRING
21	1	1028033	FLANGED YOKE
22	1	1028034	BUSH
23	4	1028035	LINING RING
24	2	1028036	BOLT
25	1	1028037	CLUTCH SUPPORT F45
26	2	1028038	INNER PLATE
27	1	1028039	INTERMEDIATE PLATE
28	1	1028040	PRESSURE PLATE
29	8	1028041	BOLT
30	1	1028060	U-JOINT - OUTER TUBE
31	1	1028061	U-JOINT - INNER TUBE
32	1	1028066	HALF FEMALE GUARD
33	1	1028067	HALF MALE GUARD
34	1	1028068	HALF FEMALE SHAFT c/w GUARDING
35	1	1028069	HALF MALE SHAFT c/w GUARDING
36	1	1028070	INSTRUCTION MANUAL



REF.	QTY.	PART No.	DESCRIPTION
		00756075A	SLIP CLUTCH ASSEMBLY
1	8	00772528	BOLT AND NUT SET
2	1	00772465	OUTER FLANGE
3	1	00754201	CLUTCH PLATE
4	4	00754202	DISK
5	1	00755599	FRICITION CLUTCH BODY
6	2	00755600	BOLT AND NUT SET
7	1	00754314	PLATE - WITH HOLES
8	1	00754301	BUSH
9	1	00754302	YOKE - FRICTION
10	8	10 28 302	SPRING

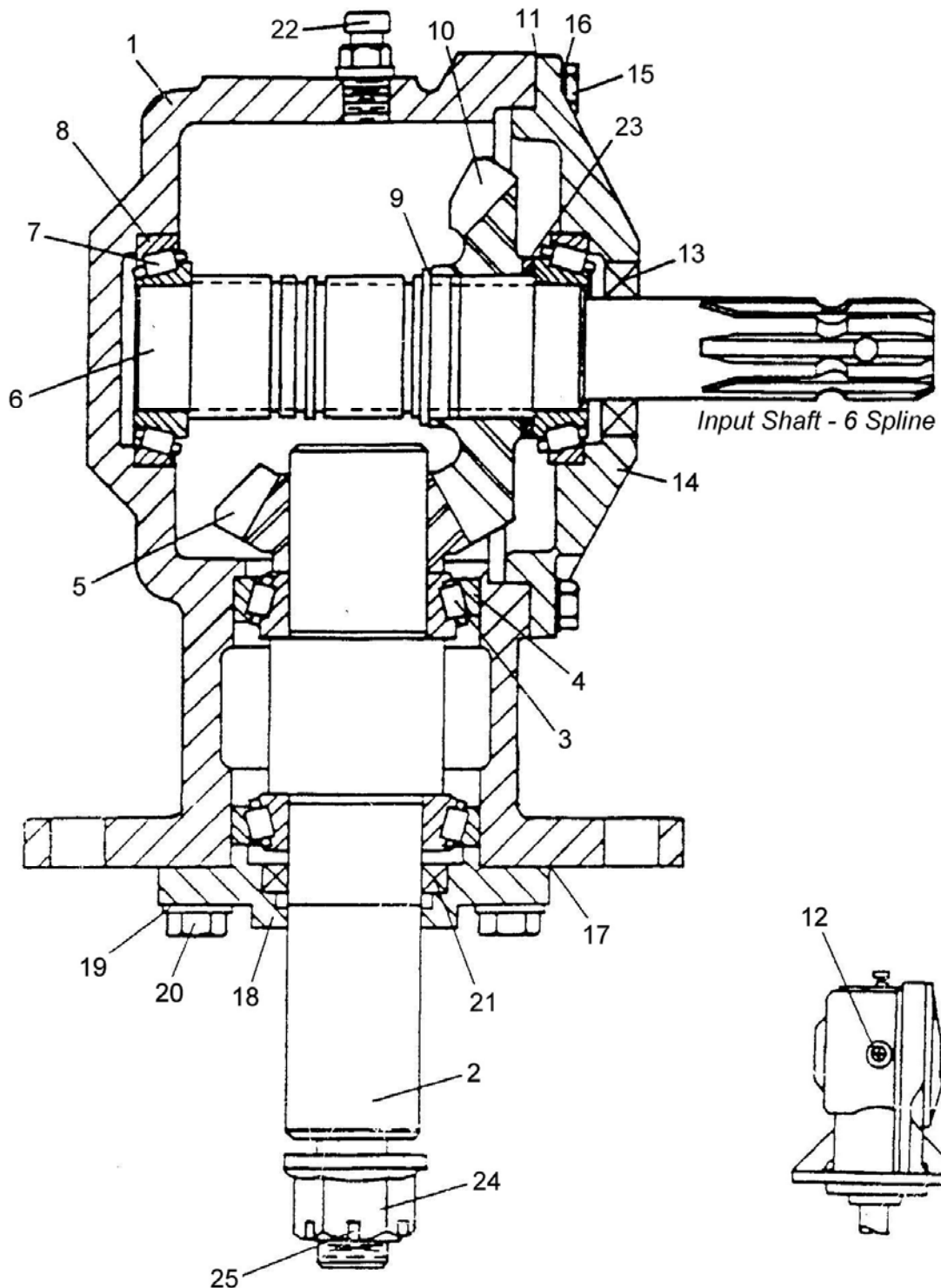


REF.	QTY.	PART No.	DESCRIPTION
		1028305	DIVIDER GEARBOX
1	2	00758653	SEAL
2	2	00762516	CAP - SIDE
3	1	00758693	GEAR - 13 TOOTH
4	1	00758657	SPACER
5	2	00762517	PIPE PLUG
6	1	00762518	SHAFT
7	1	1028306	HOUSING
8	4	00755628	BEARING
9	24	00755954	LOCKWASHER
10	24	00758659	BOLT
11	as req'd	00748531	GASKET & SHIM SET * (0.40, 0.25, & 0.30)
12	1	00762520	CAP - HUB INPUT
13	1	00762121	ADJUSTING NUT
14	1	00026200	COTTER PIN
15	1	00762521	SEAL
16	1	00762522	SHAFT
17	1	00758694	GEAR - 19 TOOTH
18	1	00762114	PIPE PLUG - VENTED (<i>not illustrated</i>)

* Shims & Gaskets are Metric dimensions

6 Spline Outer Gearbox Assembly (used on early Mk1 models only)

- *superceded by Outer Gearbox Assembly 00759205B*



NOTE:

Machines fitted with these Gearboxes use compatible 6 Spline Coupler Shafts Part No.1028292

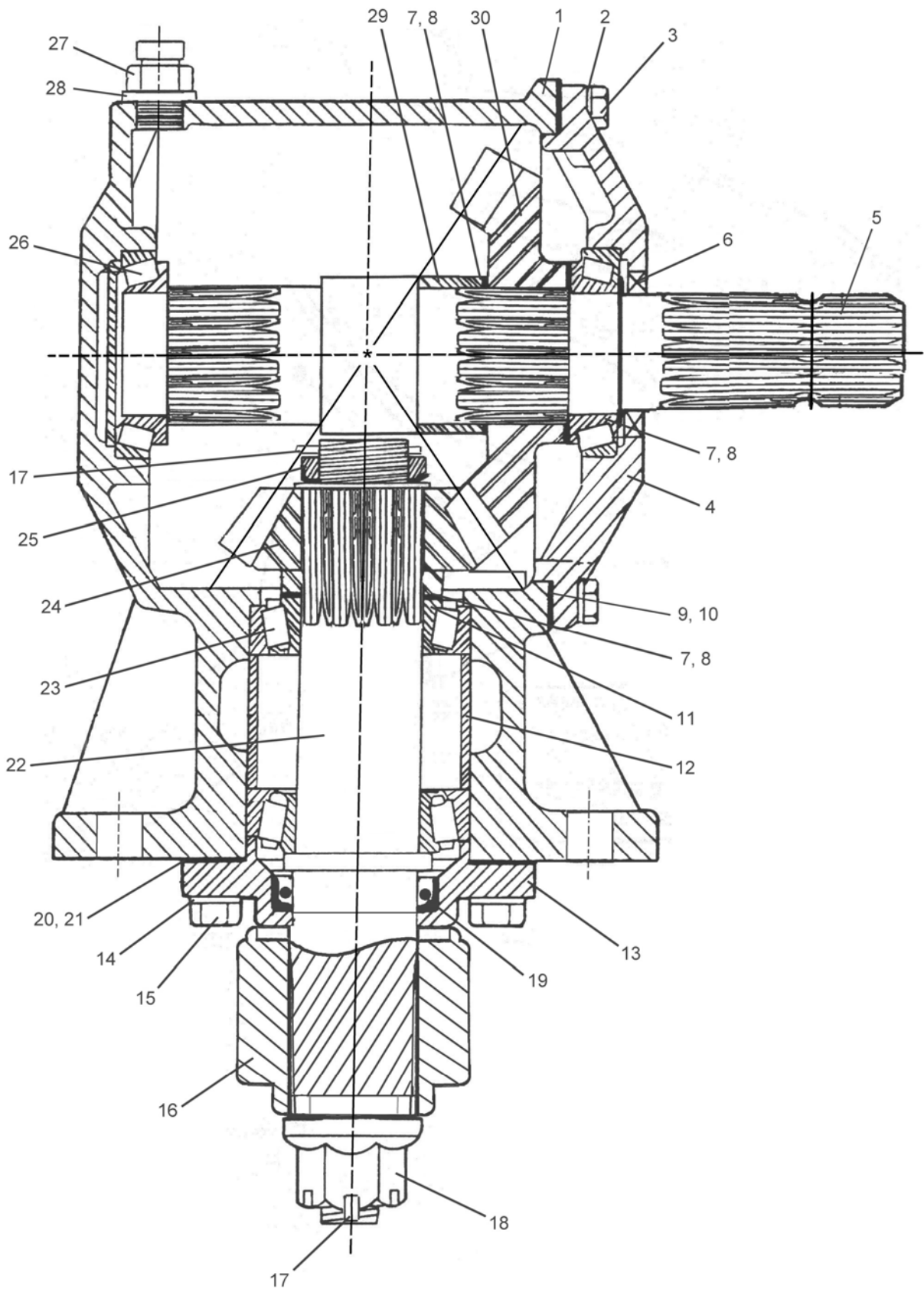
REF.	QTY.	PART No.	DESCRIPTION
		00764449	OUTER GEARBOX (6 Spline)
1	1	00758989	HOUSING
2	1	00758990	OUTPUT SHAFT
3	2	00748522	BEARING CONE
4	2	00020600	BEARING CUP
5	1	00755506	OUTPUT GEAR
6	1	00768963	INPUT SHAFT
7	2	00748527	BEARING CONE
8	2	00748525	BEARING CUP
9	1	00748526	RETAINING RING
10	1	00755505	INPUT GEAR
11	1	7010420	SHIM KIT
12	1	00753630	PIPE PLUG
13	1	00748536	SEAL
14	1	00748532	INPUT CAP
15	8	00753642	BOLT
16	8	00753633	LOCKWASHER
17	1	00748520	SHIM KIT
18	1	00752155	OUTPUT CAP
19	4	00753743	LOCKWASHER
20	4	02776600	BOLT
21	1	00753634	SEAL
22	1	00758654	VENT PLUG
23	1	00758992	SPACER
24	1	00758692	NUT
25	1	0503165	COTTER PIN
*26	<i>as req'd</i>	00758668	GEAR ADJUSTING SHIM (0.50)

* Shims (item 26) are installed as required between items 9 & 10

OUTER GEARBOX ASSEMBLY

McCONEL

TOPPER-9

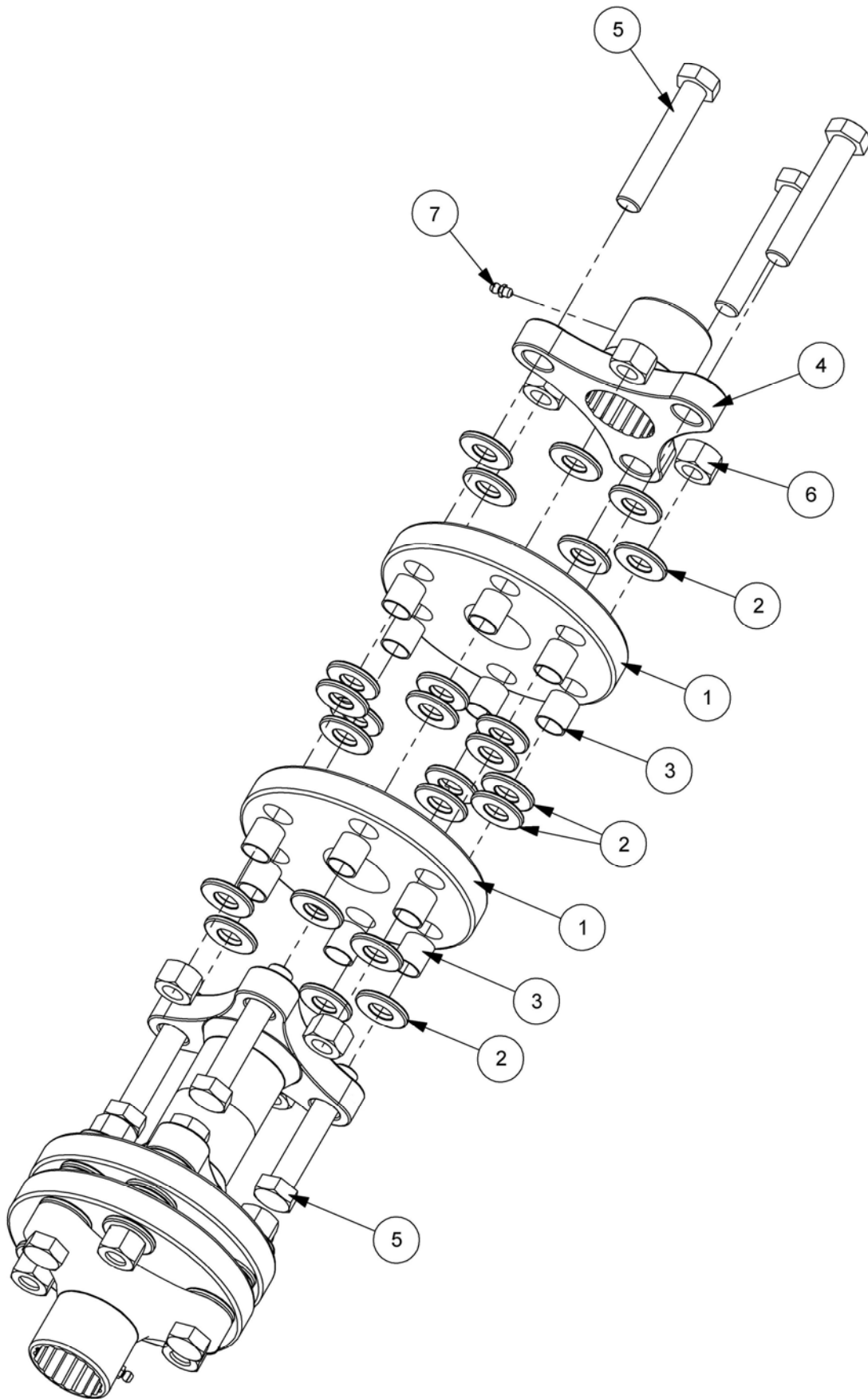


OUTER GEARBOX ASSEMBLY

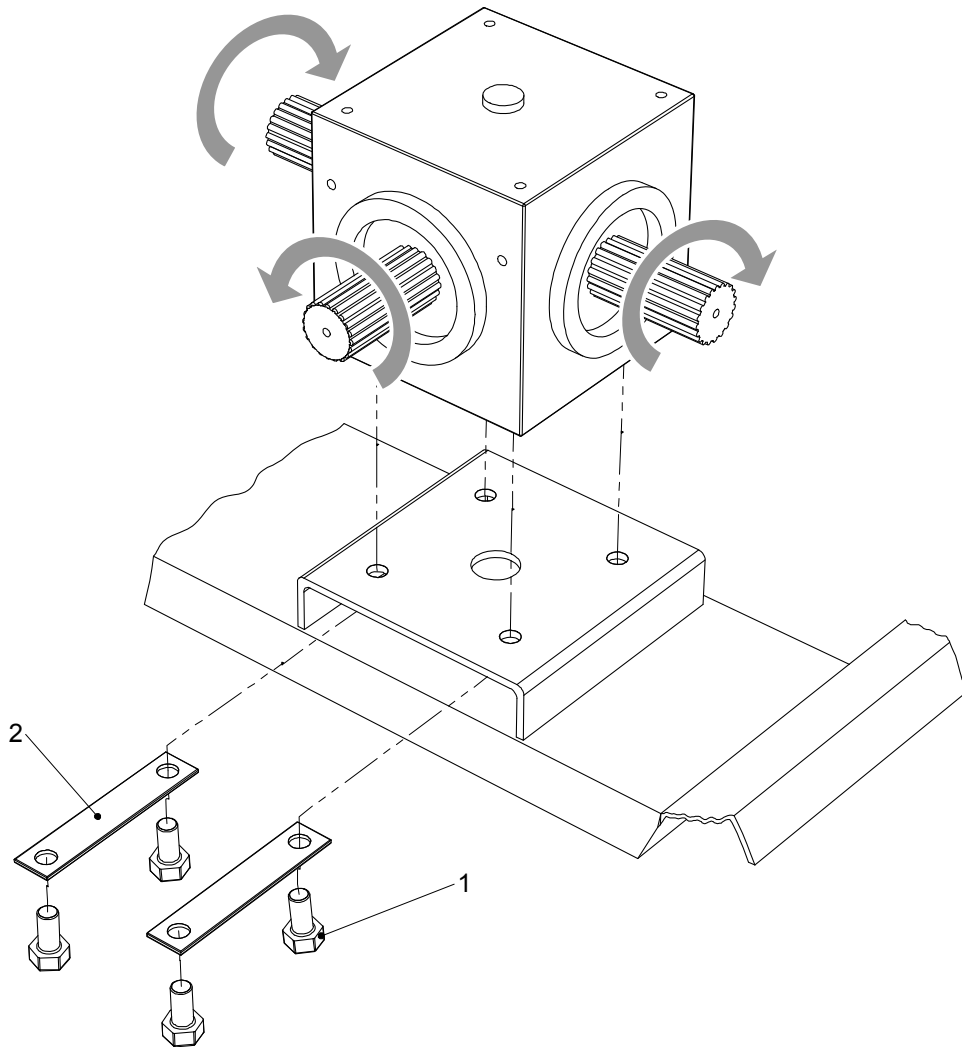
McCONNEL

TOPPER-9

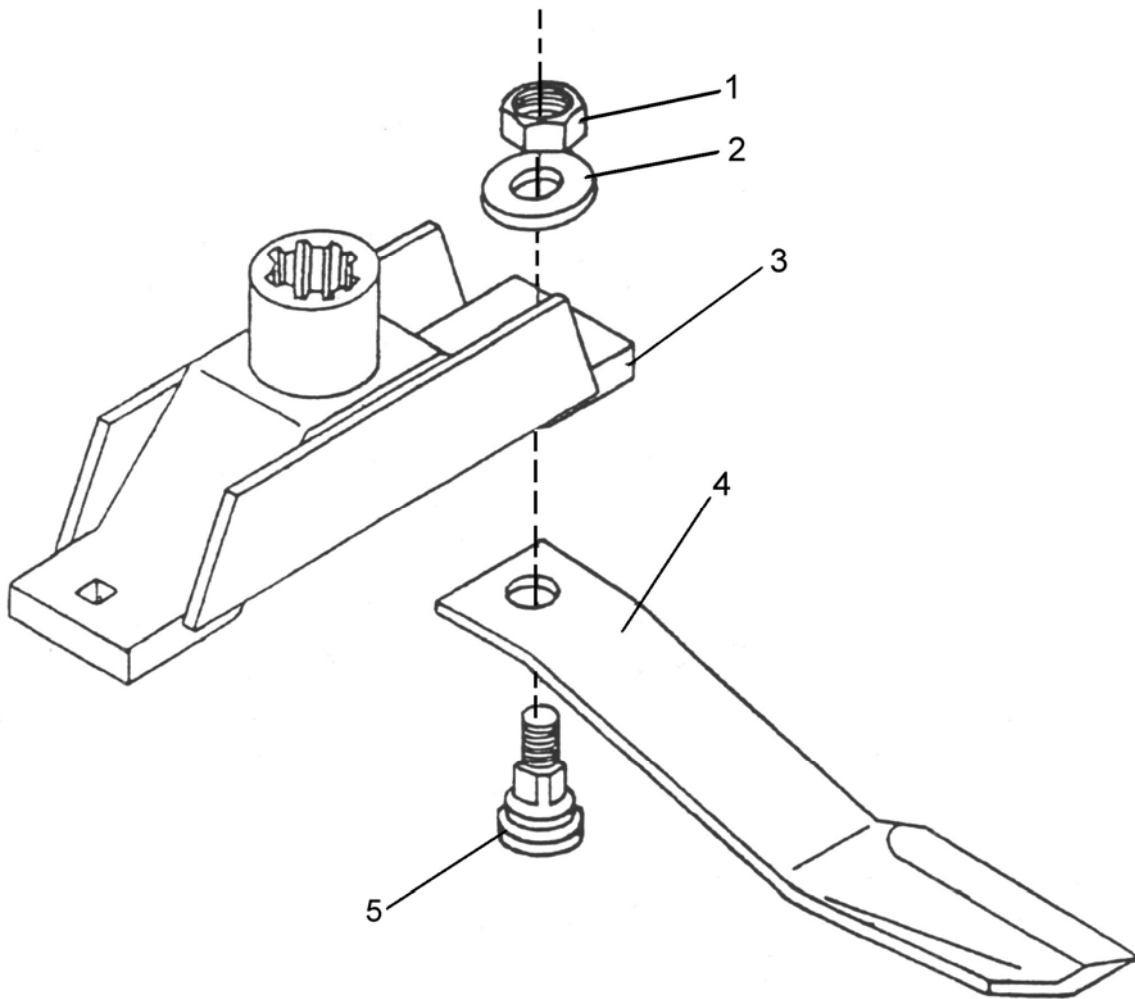
REF.	QTY.	PART No.	DESCRIPTION
		00759205B	OUTER GEARBOX c/w BREATHER
1	1	00758661	HOUSING
2	8	00755954	LOCKWASHER
3	8	00758659	BOLT
4	1	00758664	INPUT CAP
5	1	00758689	INPUT SHAFT
6	1	00758653	INPUT OIL SEAL
7	<i>as req'd</i>	00758667	GEAR ADJUSTING SHIM (0.30)
8	<i>as req'd</i>	00758668	GEAR ADJUSTING SHIM (0.50)
9	<i>as req'd</i>	00758646	INPUT CAP GASKET (0.10)
10	<i>as req'd</i>	00758647	INPUT CAP GASKET (0.25)
11	1	00759977	GEAR MOUNTING SPACER
12	1	00760889	OUTER BEARING SPACER
13	1	00758663	OUTPUT CAP
14	4	00758672	LOCKWASHER
15	4	02959661	BOLT
16	1	00758675	BLADE HUB
17	2	00606000	COTTER PIN
18	1	00758692	FLANGED NUT
19	1	00758674	OUTPUT SHAFT OIL SEAL
20	<i>as req'd</i>	00758676	OUTPUT CAP GASKET (0.10)
21	<i>as req'd</i>	00758677	OUTPUT CAP GASKET (.025)
22	1	00760892	OUTPUT SHAFT
23	2	00755628	BEARING ASSEMBLY
24	1	00758693	OUTPUT GEAR (13 TOOTH)
25	1	00762121	BEARING ADJUSTING NUT
26	2	00755615	BEARING ASSEMBLY
27	1	00762114	BREATHER
28	2	00769321	SEAL WASHER
29	1	00758657	SPACER
30	1	00758694	INPUT GEAR (19 TOOTH)
31	1	00770737	DRAIN PLUG



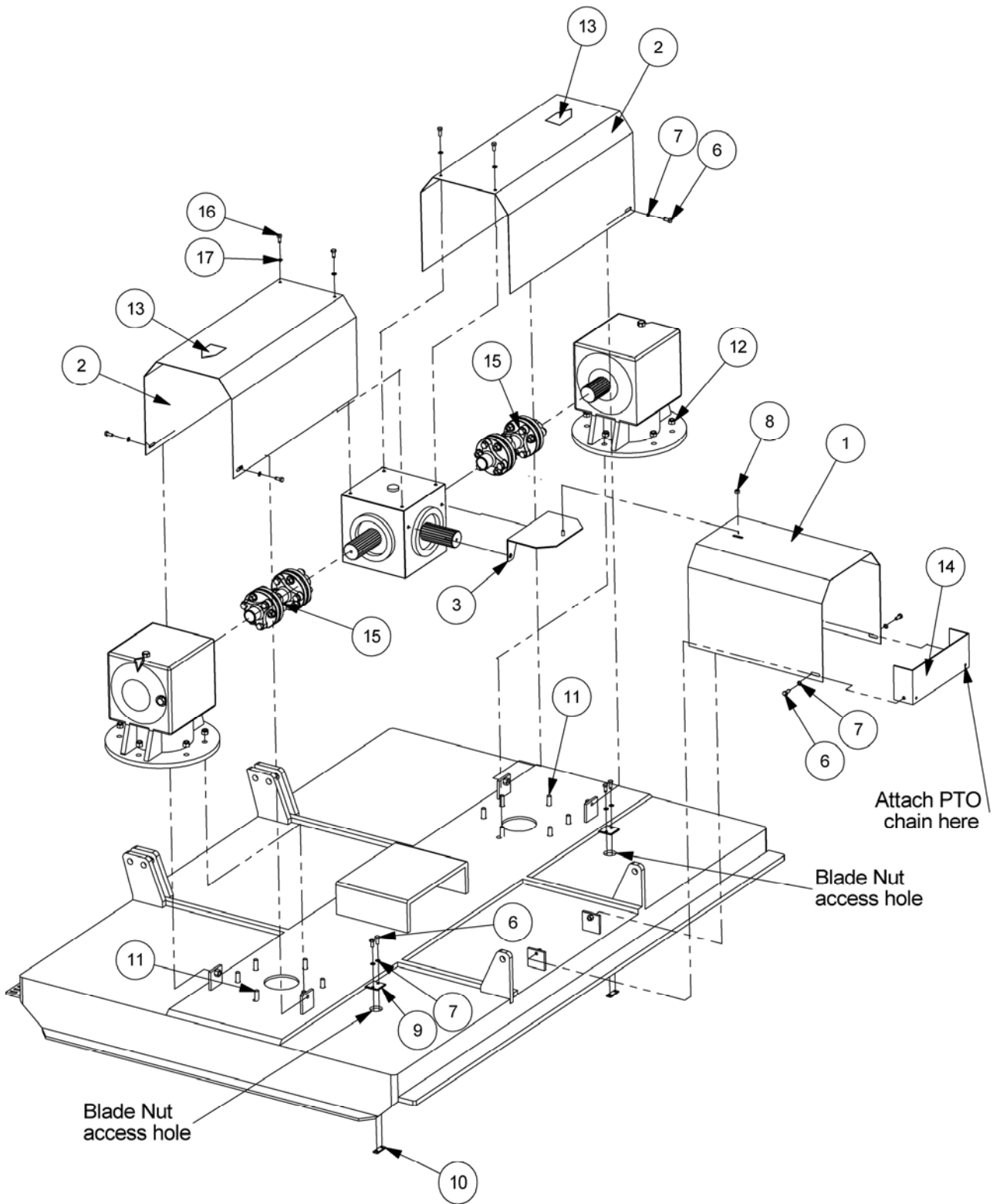
REF.	QTY.	PART No.	DESCRIPTION
		1028286	DOUBLE FLEX COUPLER SHAFT ASSEMBLY
1	4	00762215	FLEX COUPLER RUBBER DISK
2	48	00766475A	FLEX COUPLER SHAPED WASHER
3	24	00771287	FLEX COUPLER BUSHING
4	2	00762216A	FLEX CONNECTOR YOKE
5	12	00765902	HEX HEAD CAP SCREW
6	12	00765962	SELF-LOCKING HEX NUT
7	2	1020548	GREASE NIPPLE



REF.	QTY.	PART No.	DESCRIPTION
1	4	0312127	BOLT
2	2	1028009	TABPLATE



REF.	QTY.	PART No.	DESCRIPTION
1	2	5JRC16140	LOCKNUT
2	2	9216	WASHER
3	1	00763806	BLADE BAR
4	2	00764492	BLADE (CCW)
	2	00764493	BLADE (CW)
5	2	8251	BLADE BOLT

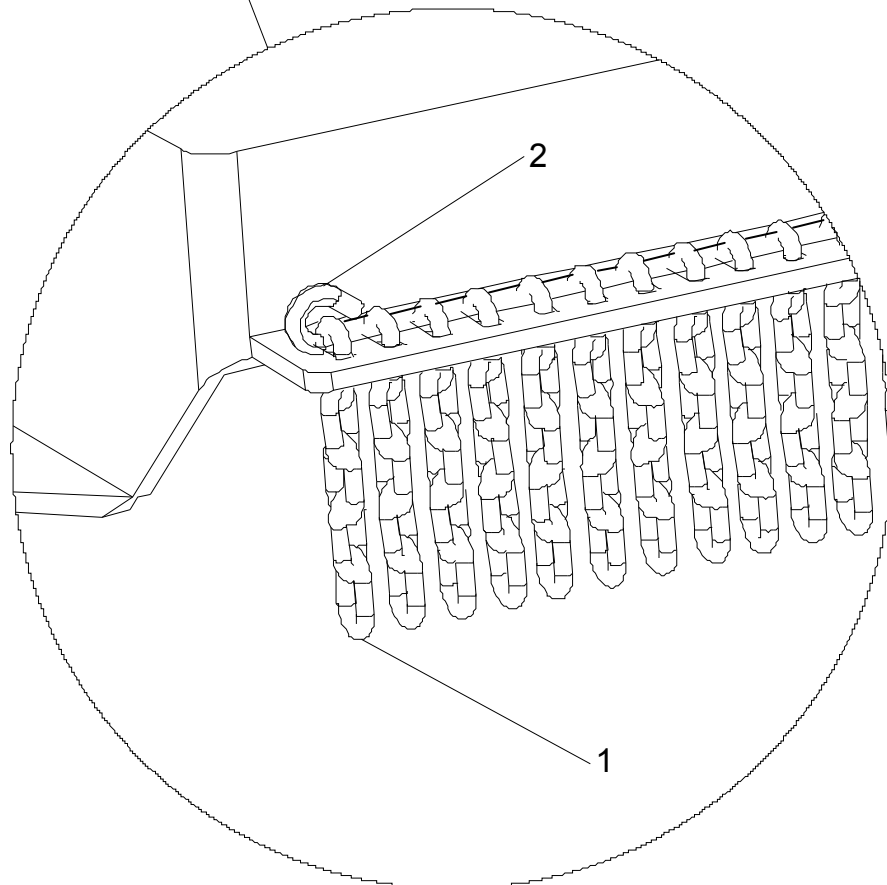
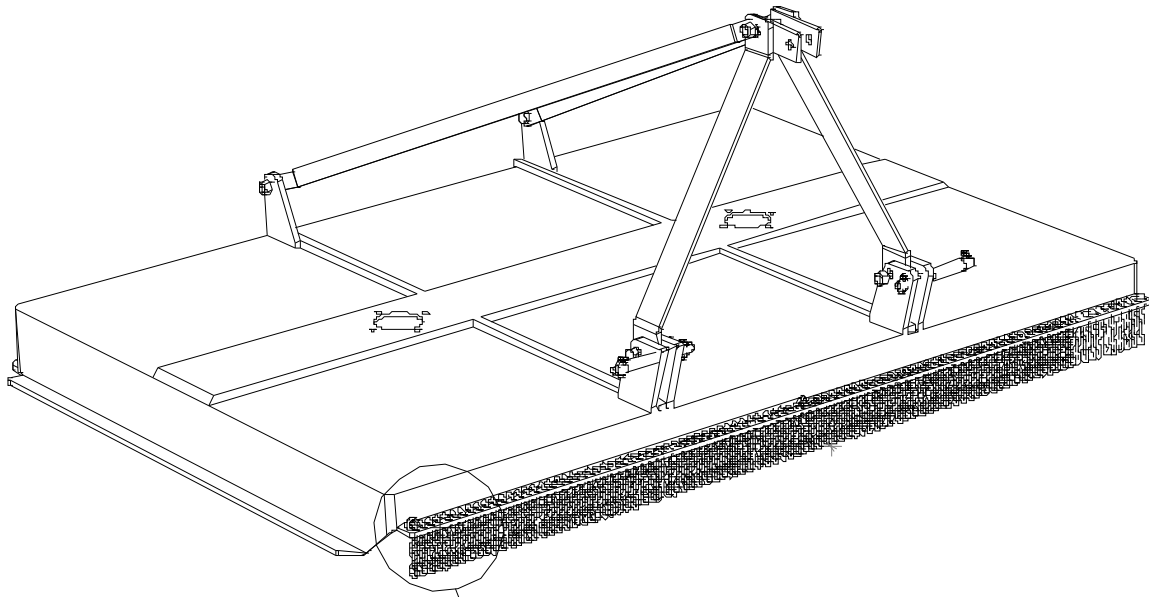


REF.	QTY.	PART No.	DESCRIPTION
1	1	1028276	FRONT COVER
2	2	1028272	SIDE COVER
3	1	1028275	CENTRE GUARD BRACKET
4	4	0312085	SCREW
5	4	9100406	SHAKEPROOF WASHER - EXTERNAL
6	6	9313055	HEXAGON SCREW
7	6	9100305	SHAKEPROOF WASHER - INTERNAL
8	1	9143005	CLEVLOK NUT
9	2	1028006	SQUARE COVER
10	2	1028007	TAPPED STRIP
11	12	0211166	HEXAGON BOLT
12	12	0141006	CLEVLOK NUT
13	2	09.810.03	GREASE DECAL
14	1	1028020	UNDER GUARD
15	2	1028286	DOUBLE FLEX COUPLER SHAFT
16	4	0312087	SCREW
17	4	0100207	SPRING WASHER

CHAIN GUARD ASSEMBLY

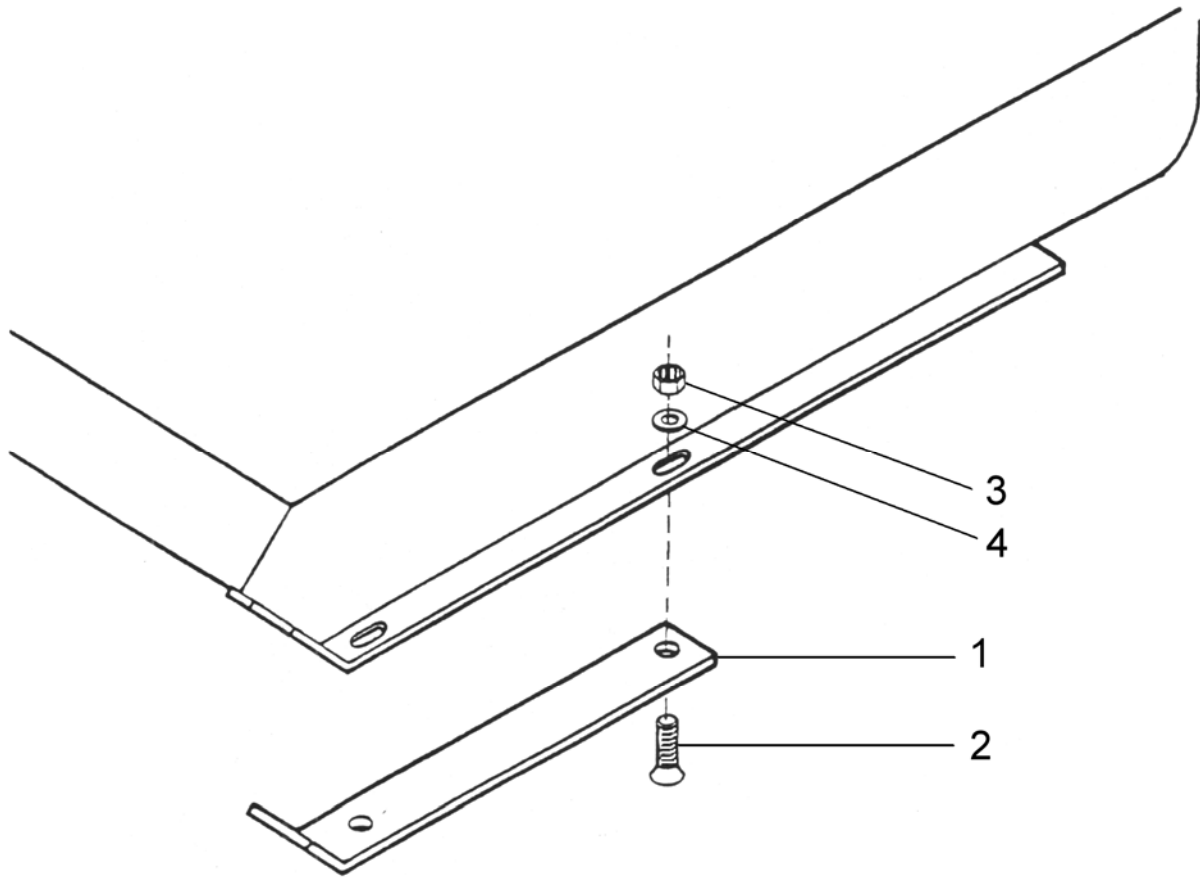
TOPPER-9

McCONEL

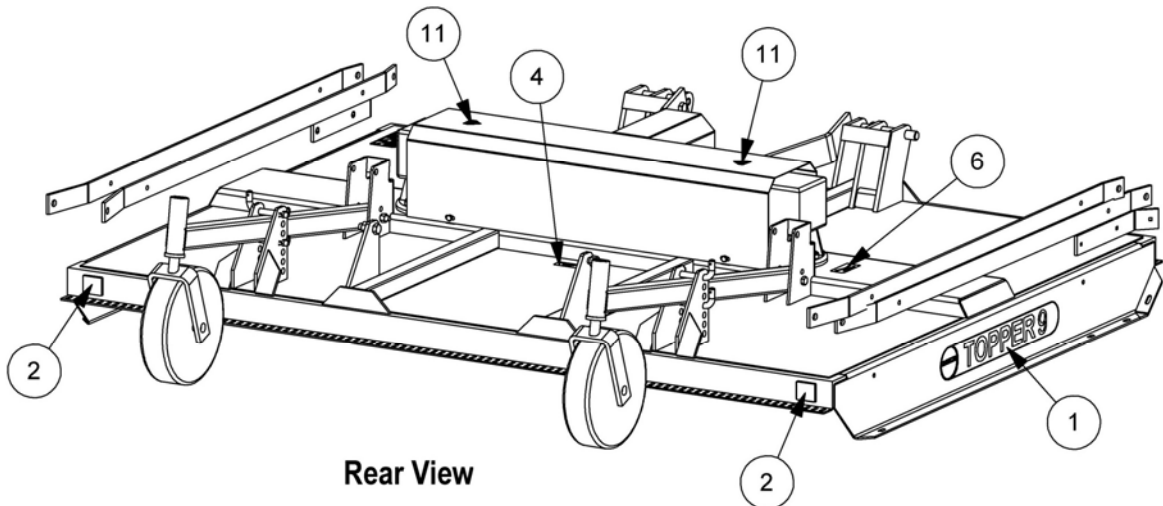
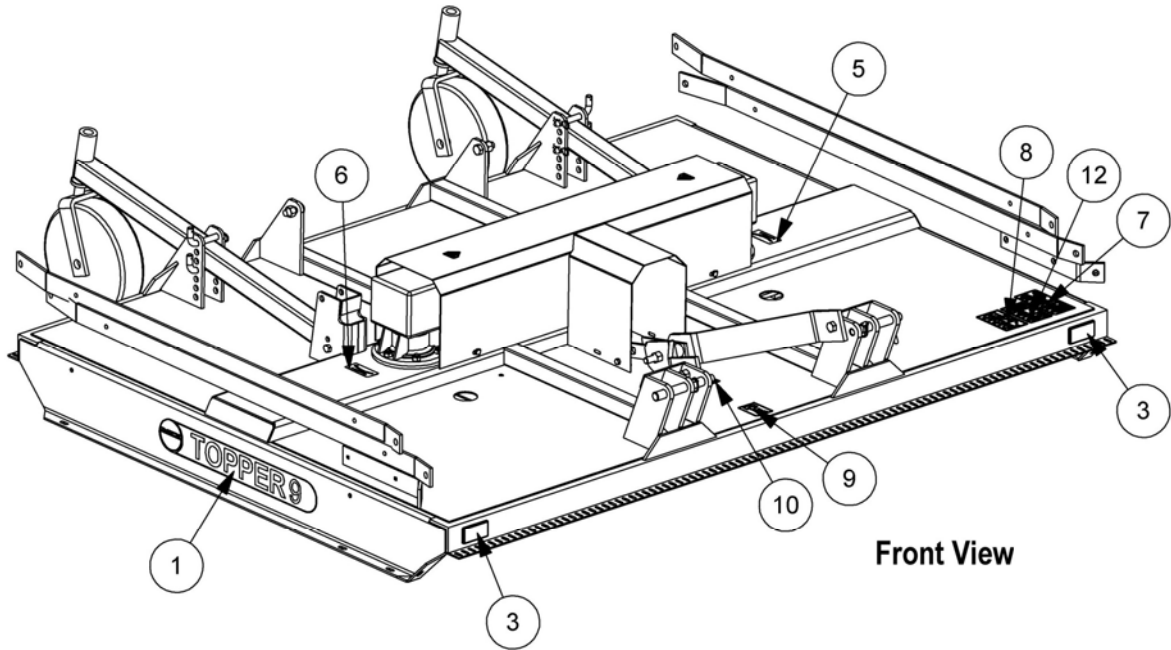


REF.	QTY.	PART No.	DESCRIPTION
1	196	00755090	CHAIN
2	4	00999428	ROD

Quantities for Front and Rear Guards



REF.	QTY.	PART No.	DESCRIPTION
1	2	8312	SKID SHOE
2	6	9353065	SCREW
3	6	9143005	LOCKING NUT
4	6	9100105	PLAIN WASHER



REF.	QTY.	PART No.	DESCRIPTION
		72.887.01	DECAL KIT
1	2	1290837	DECAL - TOPPER 9
2	2	7560093	DECAL - RED REFLECTOR
3	2	7560155	DECAL - YELLOW REFLECTOR
4	1	D132	DECAL - BLADE TIMING
5	1	D137	DECAL - CCW BLADE ROTATION
6	1	D138	DECAL - CW BLADE ROTATION
7	1	09.821.29	DECAL - COMBINED EURODECAL
8	1	09.821.34	DECAL - COMBINED EURODECAL
9	1	09.811.04	DECAL - 540 MAX ACW
10	1	00763613	DECAL - SLIP CLUTCH
11	2	09.810.03	DECAL - GREASE (100 HRS)
12	1	09.821.30	DECAL - EURODECAL ROTARY

