

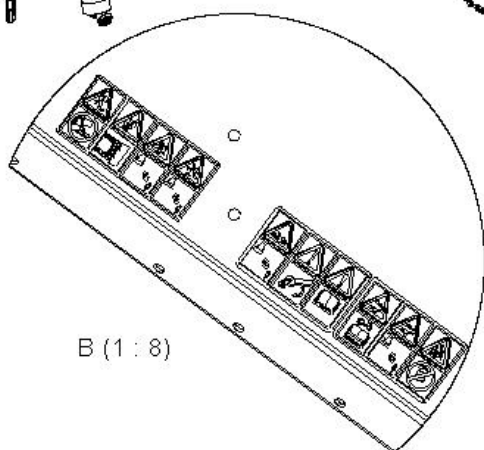
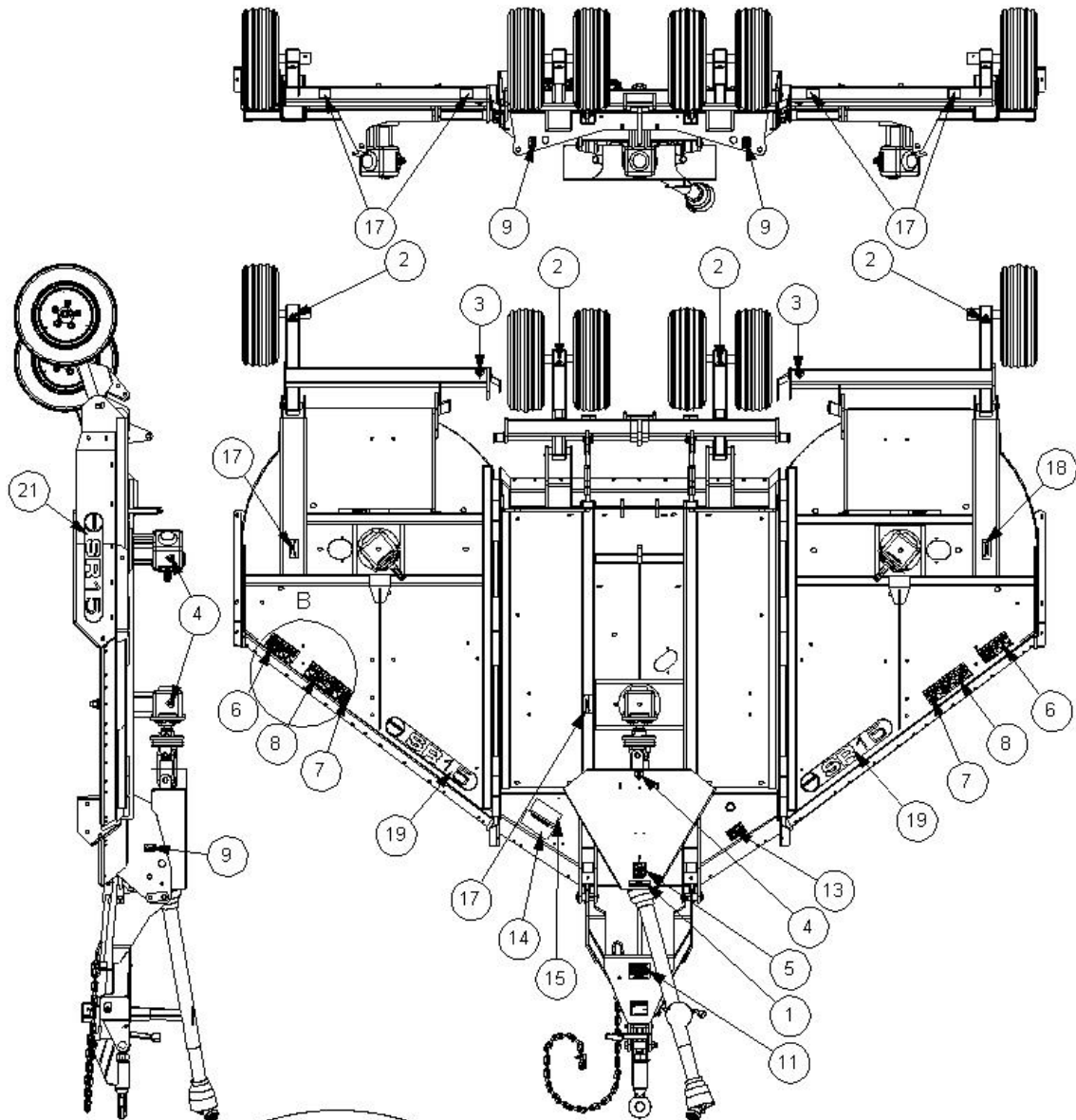
PARTS MANUAL

FOR

SERIAL NO: M2166383

PRINTED ON 15 APR 2021

1048511 - DECALS



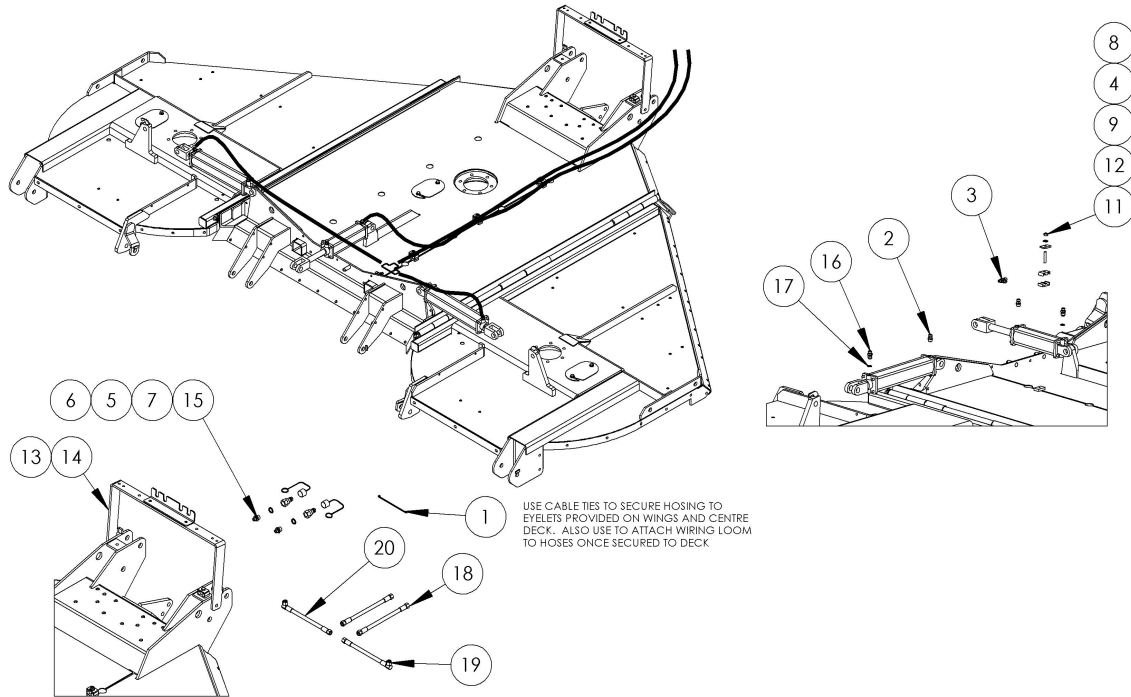
NOTE: NO MODELS AVAILABLE FOR ITEMS 20 & 21

SCALE 1 : 35

Ref	Part No	Description	QTY
1	00763613	DECAL	1
2	09.810.01	DECAL	4
3	09.810.02	DECAL	4
4	09.810.05	DECAL	4
5	23832.05	DECAL-1000 PTO MAX CW	1

Ref	Part No	Description	QTY
6	09.821.29	DECAL	2
7	09.821.30	DECAL	2
8	09.821.34	DECAL	2
9	09.843.07	DECAL	4
11	1290392	DECAL	1
13	1335246	SERIAL No. PLATE	1
14	7103230	RIVET	4
15	21175.01	LABEL	1
16	21175.02	DECAL	1
17	7560093	REFLECTOR	4
18	D137	DECAL	2
19	D138	DECAL	1
20	D102	DECAL	1
21	1291093	SR 15 DECAL	4

77.500.16 - MODULE

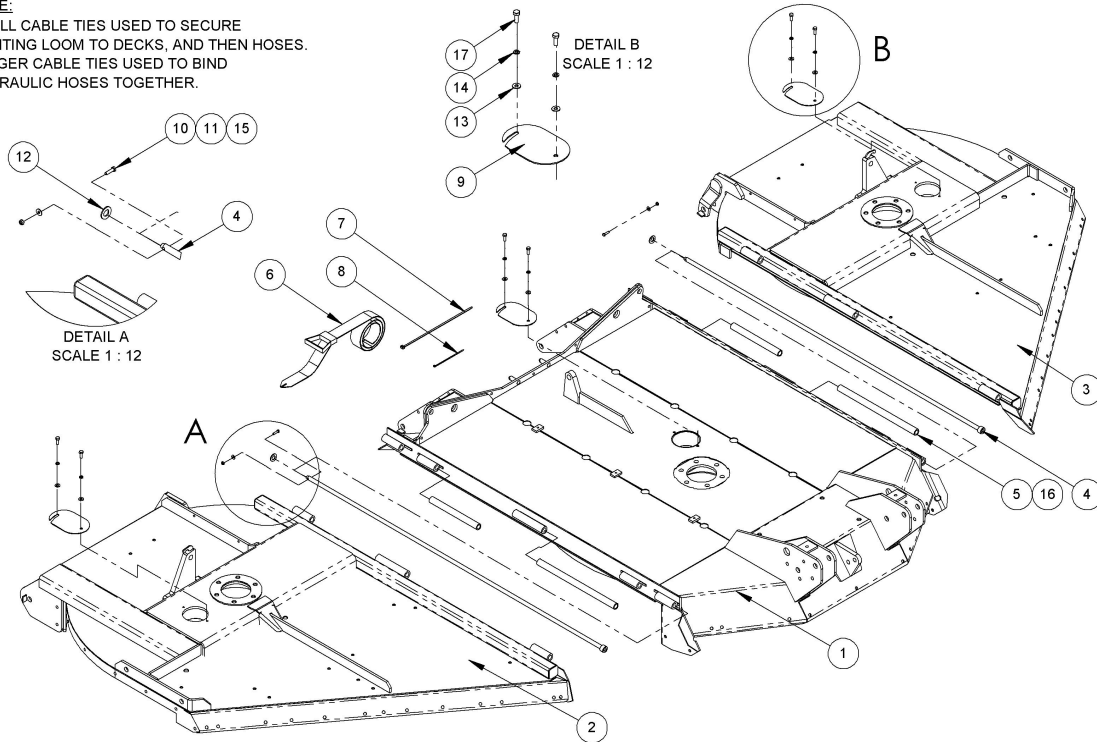


Ref	Part No	Description	QTY
1	30.058.66	CLIP	17
2	00762114	BREATHER	3
3	04.056.05	ADAPTER	1
4	04.282.66	STUD	3
5	05.146.01	USE 8590074	2
6	T5386	DUST CAP	2
7	8650104	SEAL	2
8	06.430.07	HOSE CLAMP	8
9	06.418.06	CLAMP	4
10	05.264.17	SETSCREW	1
11	05.287.02	NUT	4
12	05.281.02	WASHER	3
13	47069.87	HOSE STAY BRACKET	1
14	47069.90	HOSE SUPPRT BRKT	1
15	8124064	RESTRICTOR	2
16	8581170	ADAPTOR	3
17	8600908	"O" RING	3
18	10.003.62	HOSE	2
19	10.004.22	HOSE	1
20	10.004.26	HOSE	1

77.500.31 - HEAVY DUTY C/DECK & WINGS ASSY

NOTE:

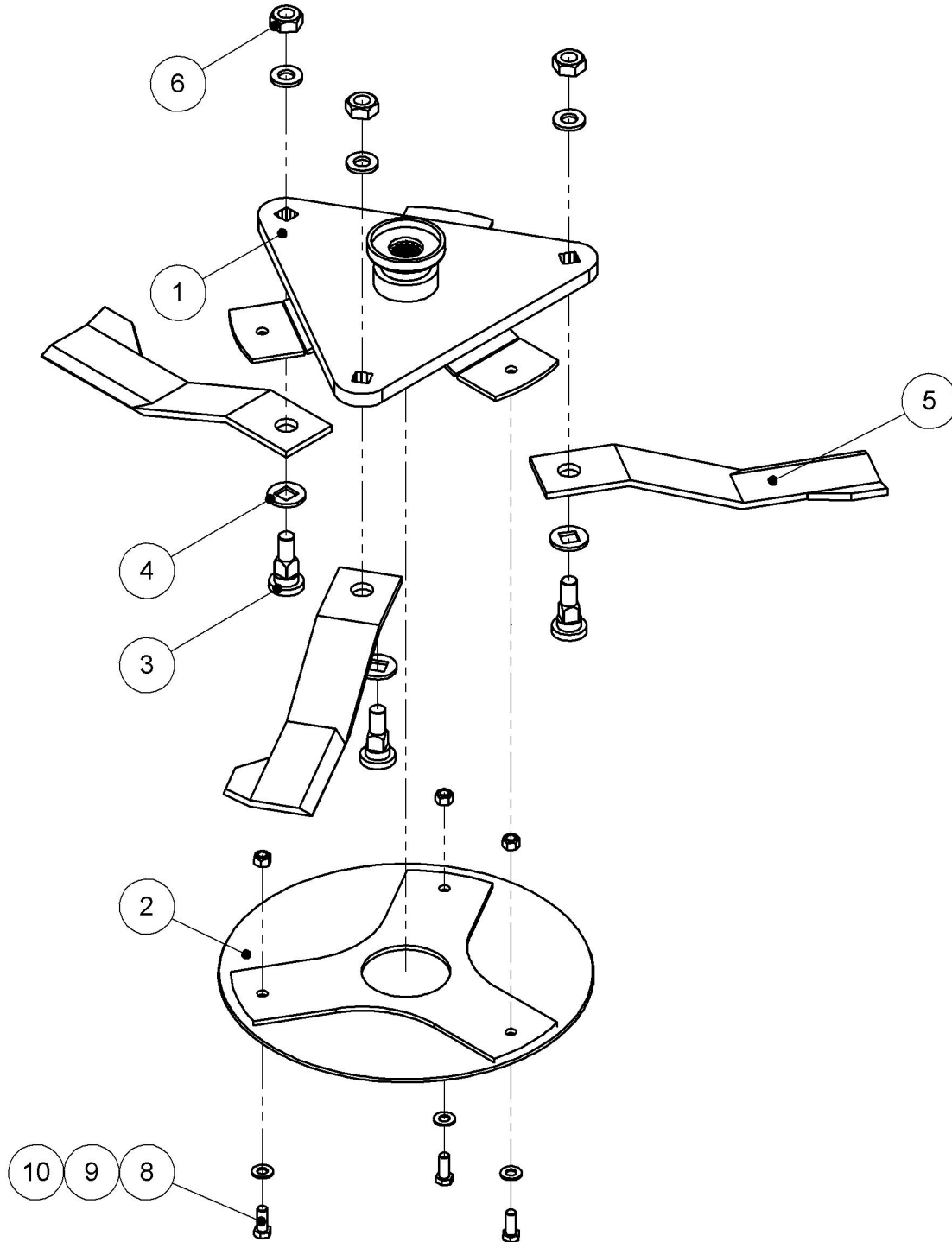
SMALL CABLE TIES USED TO SECURE LIGHTING LOOM TO DECKS, AND THEN HOSES.
LARGER CABLE TIES USED TO BIND HYDRAULIC HOSES TOGETHER.



Ref	Part No	Description	QTY
1	47005.04	TW4600 H/DUTY CENTRE DECK ASSY	1
2	47005.06	TW4600 H/DUTY RH WING ASSY	1
3	47005.05	TW4600 H/DUTY LH WING ASSY	1
4	45221.01	PIN	2
5	45257.04	SPACER	2
6	45956.01M	STRAP	1
7	06.023.01	HOSE TIE	16
8	30.058.66	CLIP	28
9	46774.88	COVER PLATE	3
10	05.264.03	SETSCREW	2
11	05.281.01	WASHER	2
12	05.281.05	WASHER	2
13	05.281.02	WASHER	6
14	05.282.02	WASHER	6
15	05.287.01	LOCKNUT	2
16	45257.03	SPACER	2
17	05.264.13	SETSCREW	6

77.600.30 - DOMED PAN RH BLADE

ASSEMBLY

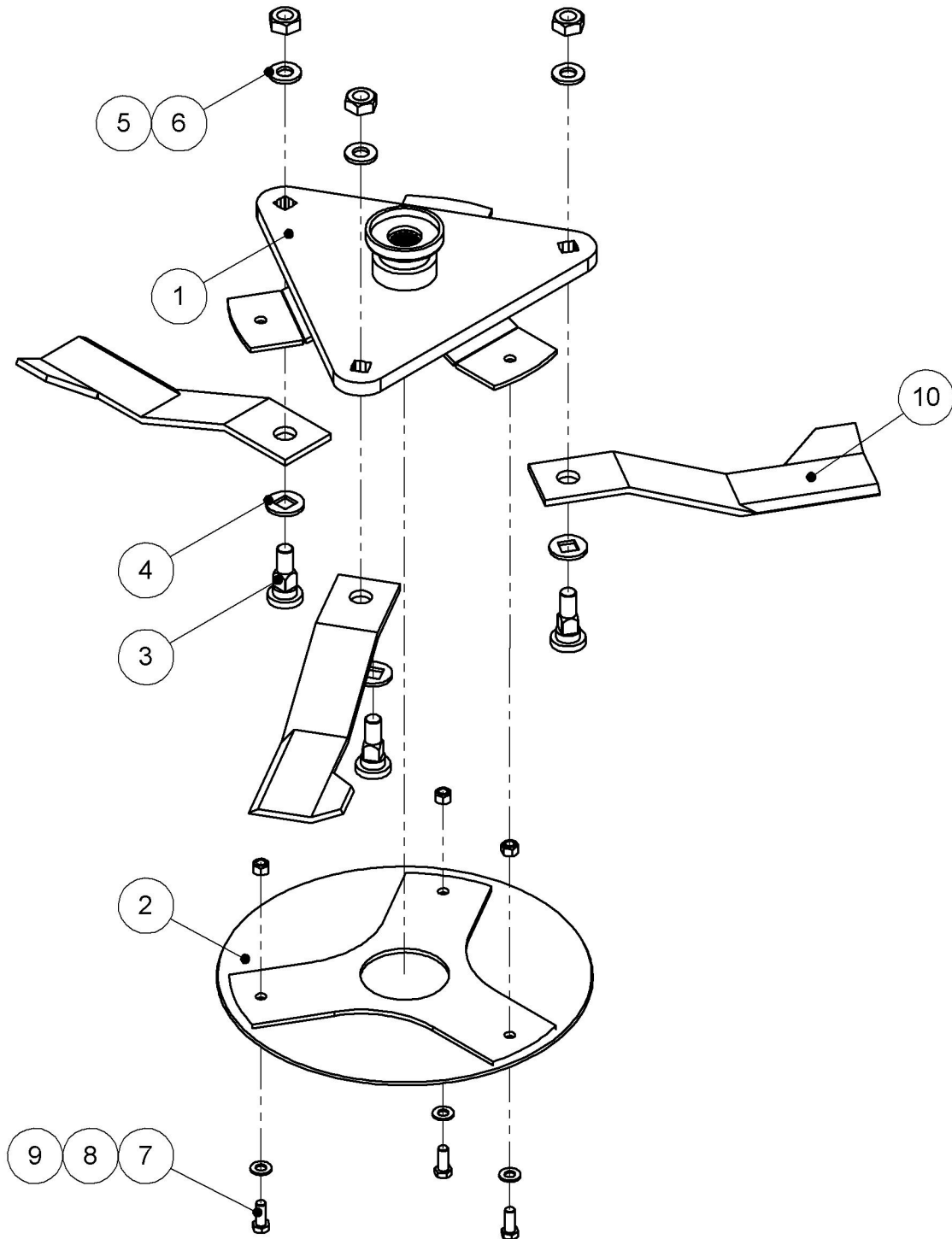


Ref	Part No	Description	QTY
1	48782.10	TW4600 BLADE CARRIER ASSEMBLY	1
2	46992.28	DOMED PAN BOTTOM	1
3	571044	BOLT	3
4	0656150200	WASHER - BLADE SR15	3
5	00764664	BLADE - CCW -RH WING SR15/6	3

Ref	Part No	Description	QTY
6	5GL16140	NUT	3
7	571045	WASHER - BLADE SR15	3
8	05.264.35	BOLT	3
9	05.281.04	WASHER	3
10	05.287.04	NUT	3

77.600.31 - DOMED PAN LH BLADE

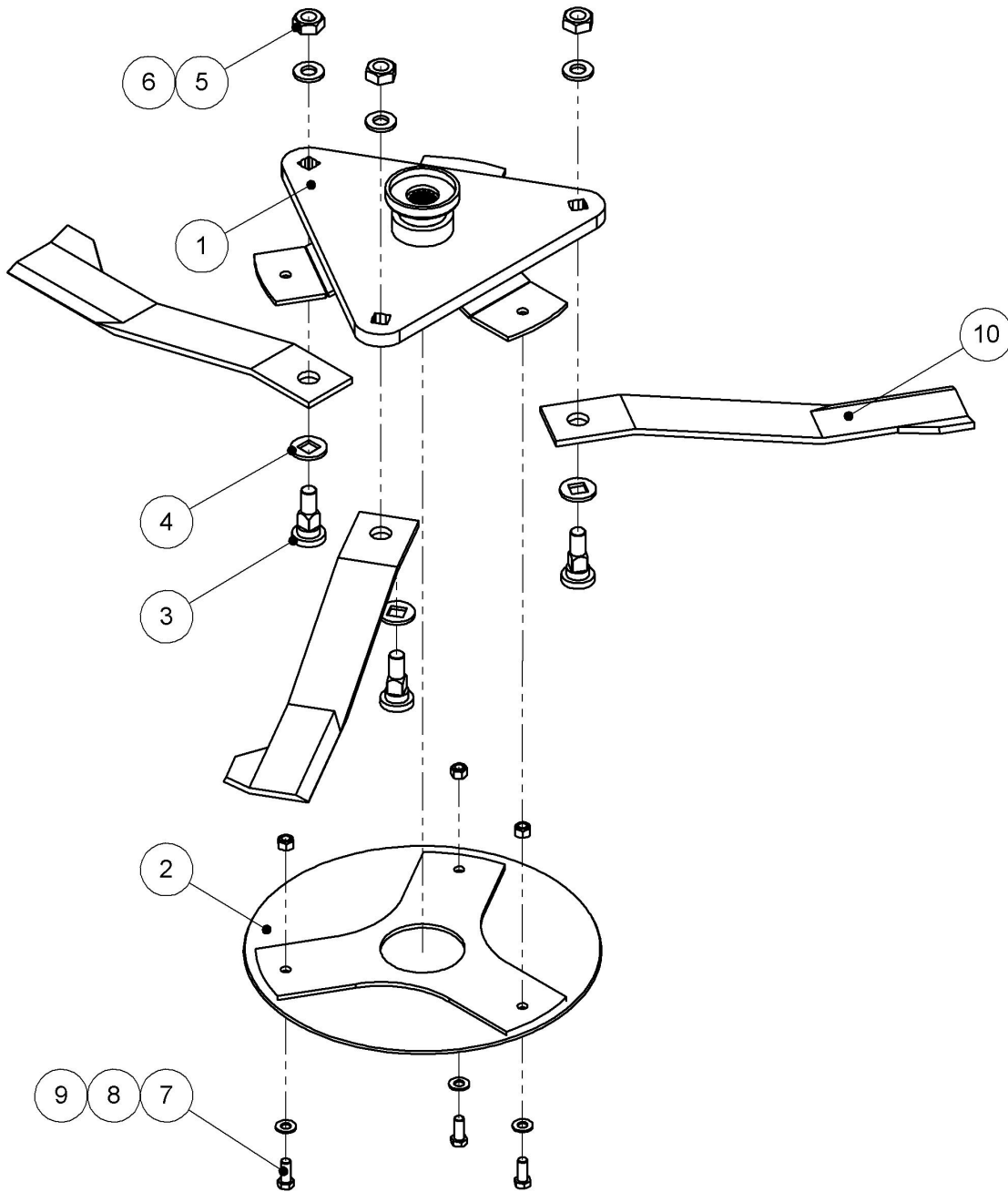
ASSEMBLY



Ref	Part No	Description	QTY
1	48782.10	TW4600 BLADE CARRIER ASSEMBLY	1
2	46992.28	DOMED PAN BOTTOM	1
3	571044	BOLT	3
4	0656150200	WASHER - BLADE SR15	3
5	5GL16140	NUT	3

Ref	Part No	Description	QTY
6	571045	WASHER - BLADE SR15	3
7	05.264.35	BOLT	3
8	05.281.04	WASHER	3
9	05.287.04	NUT	3
10	00764663	BLADE - CW - LH WING SR15/6	3

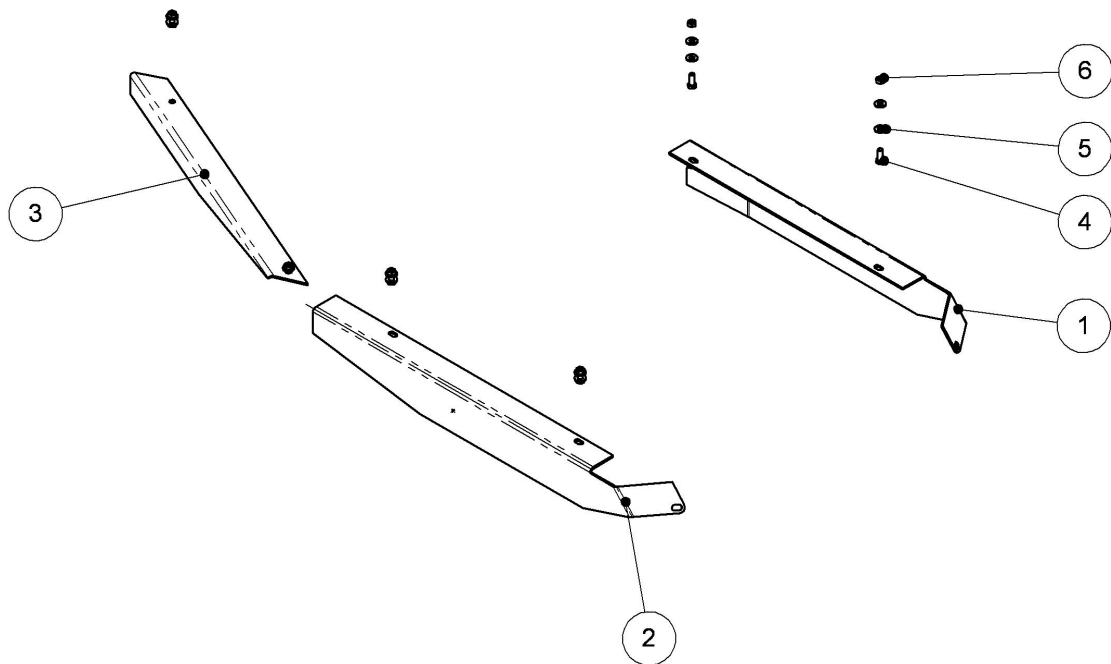
77.600.32 - DOMED PAN CTR BLADE ASSEMBLY



Ref	Part No	Description	QTY
1	48782.10	TW4600 BLADE CARRIER ASSEMBLY	1
2	46992.28	DOMED PAN BOTTOM	1
3	571044	BOLT	3
4	0656150200	WASHER - BLADE SR15	3
5	5GL16140	NUT	3
6	571045	WASHER - BLADE SR15	3
7	05.264.35	BOLT	3
8	05.281.04	WASHER	3

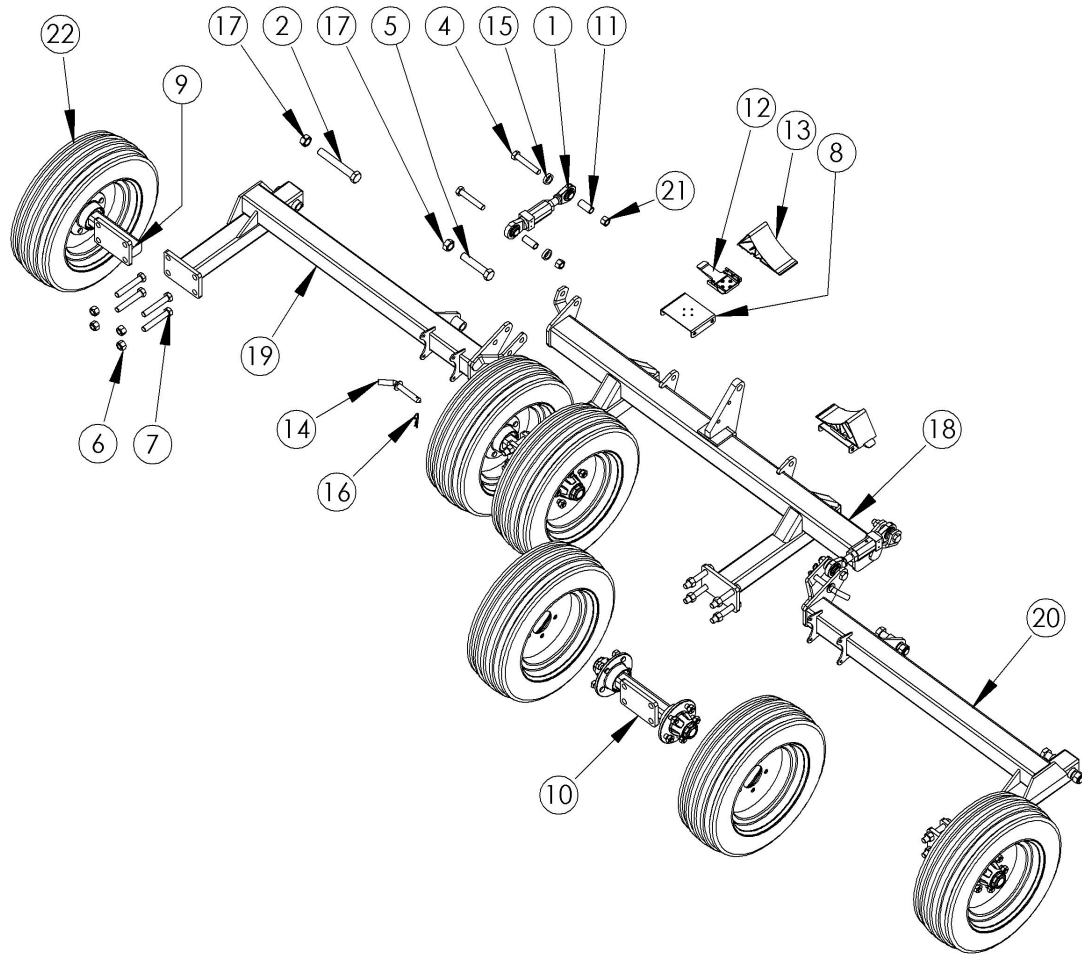
Ref	Part No	Description	QTY
9	05.287.04	NUT	3
10	00764668	BLADE-CCW CENT.PRS CY72/SR15/6	3

77.600.36 - BAFFLE KIT



Ref	Part No	Description	QTY
1	45315.03	BAFFLE	1
2	45315.05	BAFFLE	1
3	47961.01	BAFFLE	1
4	05.264.23	SETSCREW	6
5	05.281.03	WASHER	12
6	05.287.03	NUT	6

77.600.50 - AXLE, WHEELS, HUBS

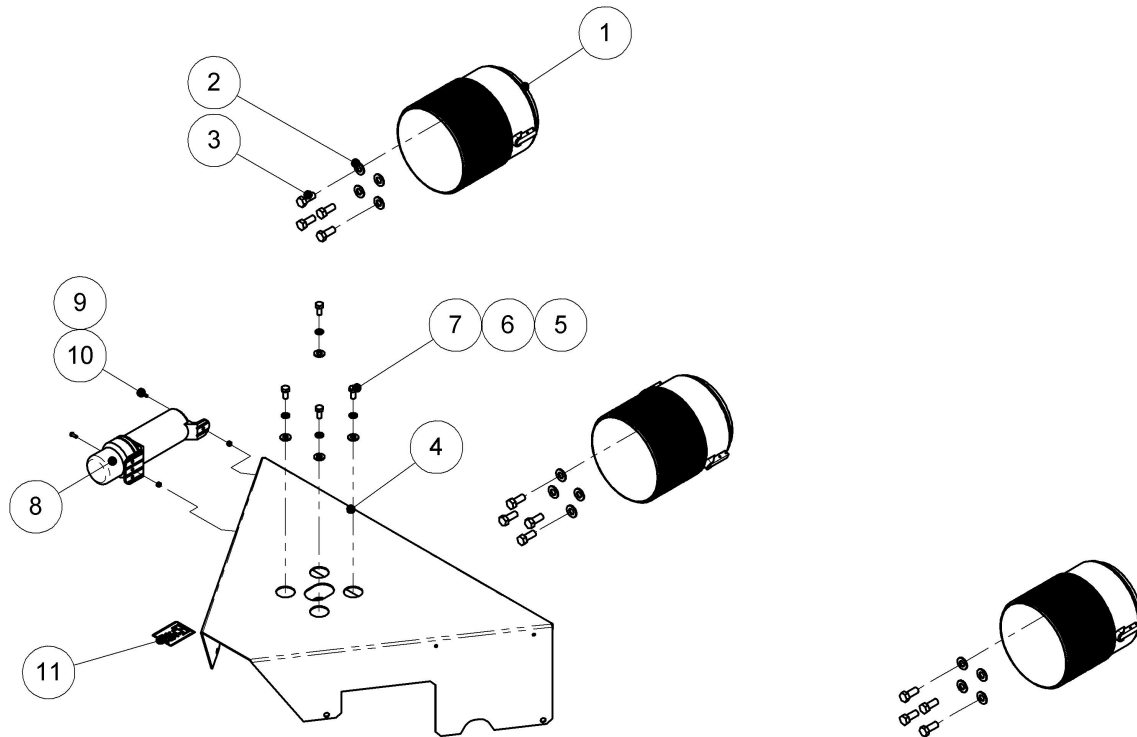


Ref	Part No	Description	QTY
1	00763449	CONTROL ROD	2
2	0212569	BOLT	2
3	0212609	BOLT	2
4	05.255.38	BOLT	4
5	05.255.40	BOLT	2
6	05.287.06	NUT	16
7	05.292.45	BOLT	16
8	46992.29	CHOCK MOUNT	2
9	46992.23	AXLE	2
10	46992.22	AXLE	2
11	45184.01	SPACER	4
12	22247.02	HOLDER	2
13	22247.01	HOLDER	2
14	21126.05	PIN	2
15	1048010	SPACER	4
16	05.964.01	SPRING CLIP	2
17	05.296.08	NUT	6
18	47011.01	TW4600 CENTRE AXLE ASSY	1

Ref	Part No	Description	QTY
19	47011.03	LH AXLE W/A	1
20	47011.02	RH AXLE W/A	1
21	05.296.07	NUT	4
22	48237.03	WHEEL ASSY	6

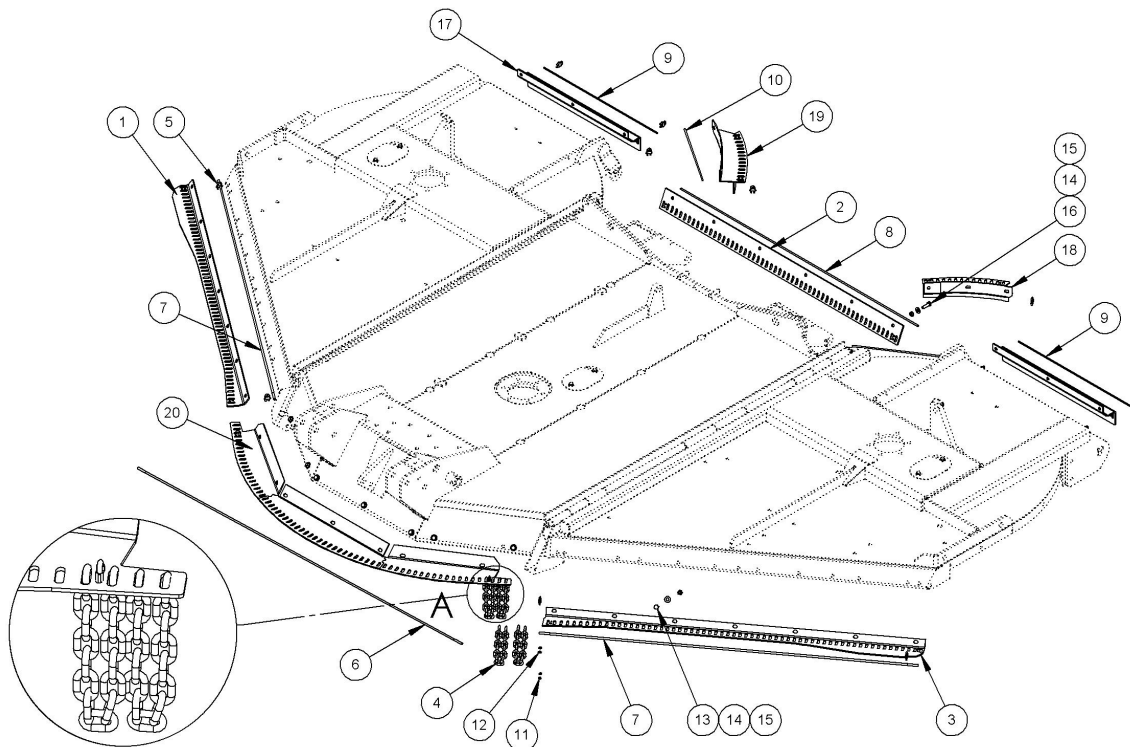
77.600.53 - DRIVELINE GUARDS

TW4600



Ref	Part No	Description	QTY
1	21839.01	PTO GUARD	3
2	05.281.23	FLAT WASHER	12
3	05.256.34	SETSCREW	12
4	47951.03	TW4600 GEN3 GB GUARD	1
5	05.281.03	WASHER	4
6	05.282.03	WASHER	4
7	05.256.22	SETSCREW	4
8	46505.01	HOLDER	1
9	30.070.64	NUT	2
10	05.625.13	SCREW	2
11	09.811.05	DECAL	1

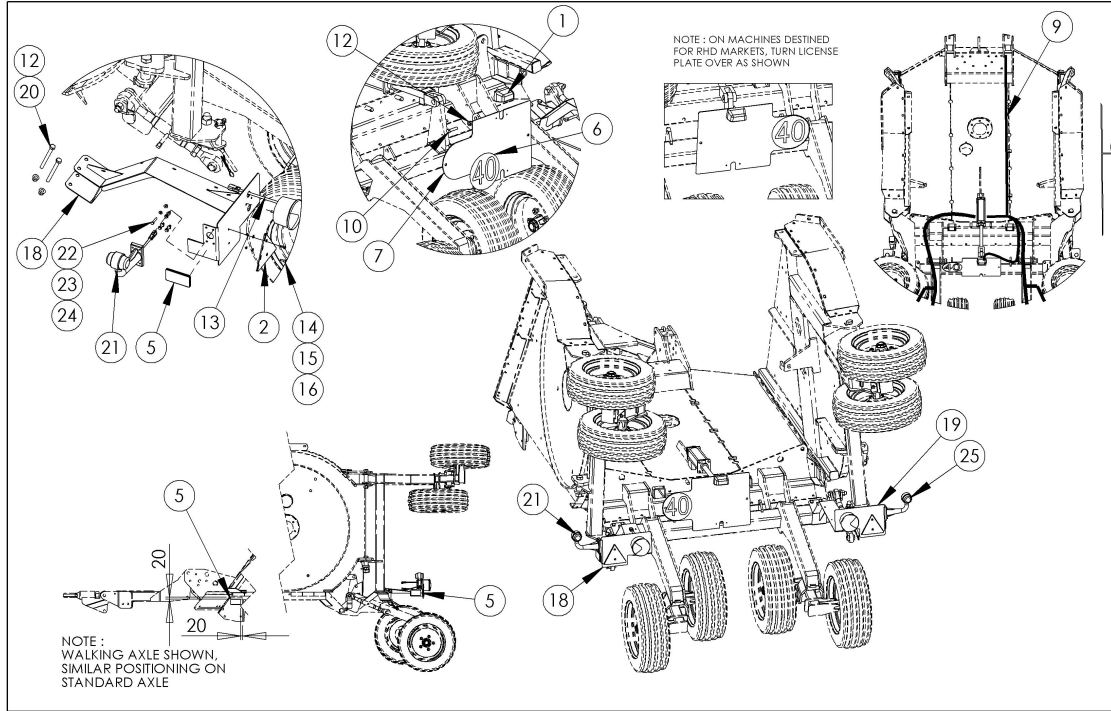
77.600.60 - CHAIN GUARDS



Ref	Part No	Description	QTY
1	48711.02	WING FRONT BAR - RH	1
2	45162.33	CHAIN BAR - CTR ASSY	1
3	48711.03	WING CHAIN BAR LH	1
4	46943.22	PLATED CHAIN 15 LINK	192
5	6770907	GRIP	16
6	48711.10	CENTRE DECK WIRE	1
7	48711.11	WING WIRE ROPE	2
8	47057.11	BAR	1
9	47057.12	BAR	2
10	47057.14	RETENTION BAR	2
11	9143003	NUT	40
12	05.281.10	WASHER	40
13	05.264.24	SETSCREW	21
14	05.281.03	WASHER	39
15	05.287.03	NUT	39
16	05.264.25	SETSCREW	18
17	48711.06	WING REAR GUARD	2
18	48711.15	REAR QTR GUARD LH	1
19	48711.14	REAR QTR GUARD - RH	1
20	48711.16	FRONT CHAIN GUARD	1

77.600.70 - LIGHTS AND REFLECTORS - TW4600

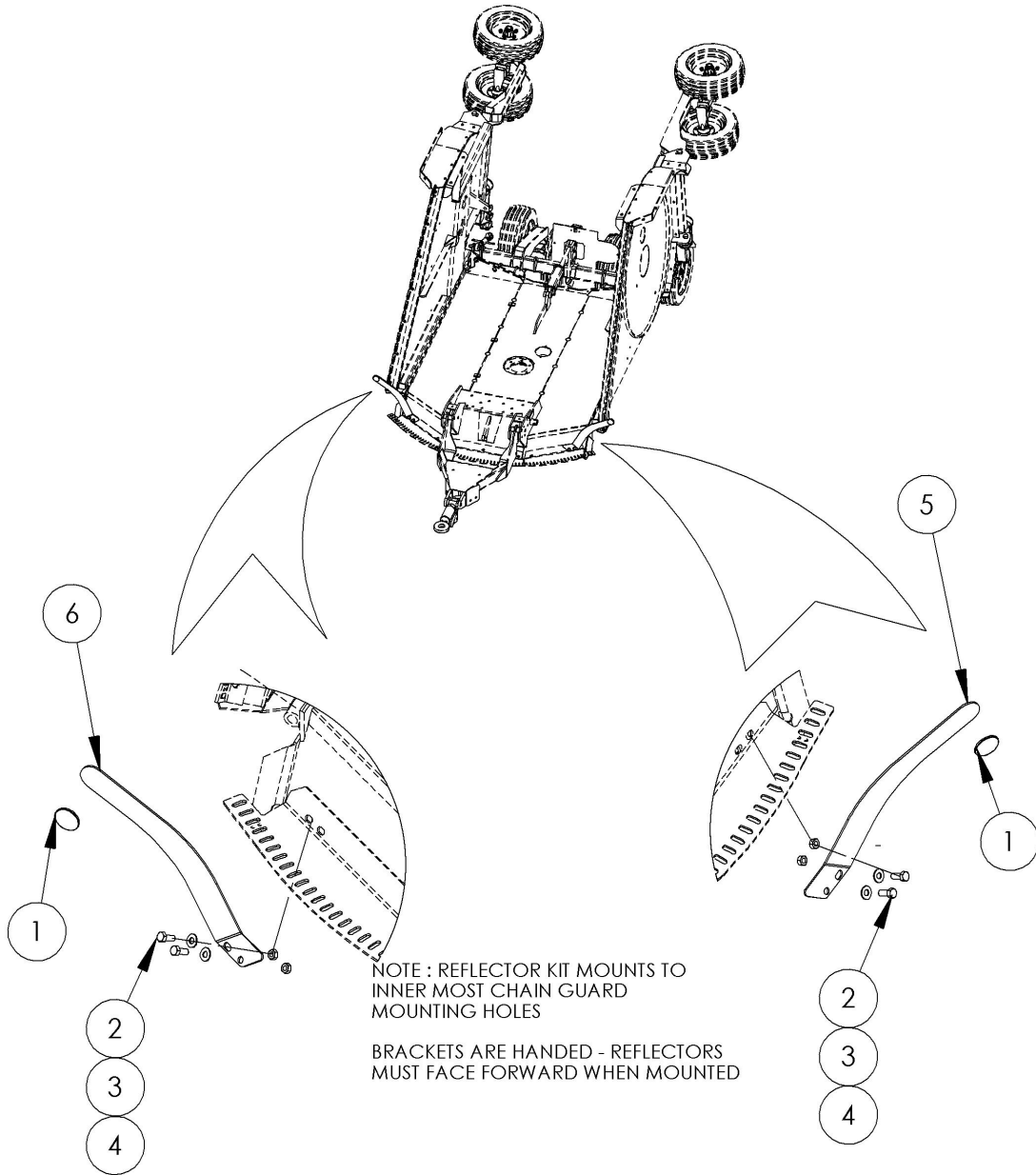
LIGHTS AND RELECTORS - TW4600
77.600.70 REV: B



Ref	Part No	Description	QTY
1	45326.04	LIGHT - LICENCE PLT	1
2	45661.04	RED TRIANGLE REFLECTOR	2
5	7560155	REFLECTOR	4
6	47011.22	SPEED DECAL	1
7	47011.10	LICENCE PLATE HOLDER	1
10	05.264.27	SETSCREW	2
12	05.287.22	FLANGE LOCKNUT	6
13	45326.01	LIGHT UNIT	2
14	05.625.39	SOCKET SCREW	4
15	2770394	NUT	4
16	2770391	WASHER	4
17	47011.29	LIGHTING LOOM TW4600	1
18	48145.15	LIGHT BRACKET - LH	1
19	48145.16	LIGHT BRACKET - RH	1
20	05.292.26	BOLT	4
21	8771333	LH MARKER LIGHT	1
22	05.839.04	SETSCREW	8
23	05.281.10	WASHER	8

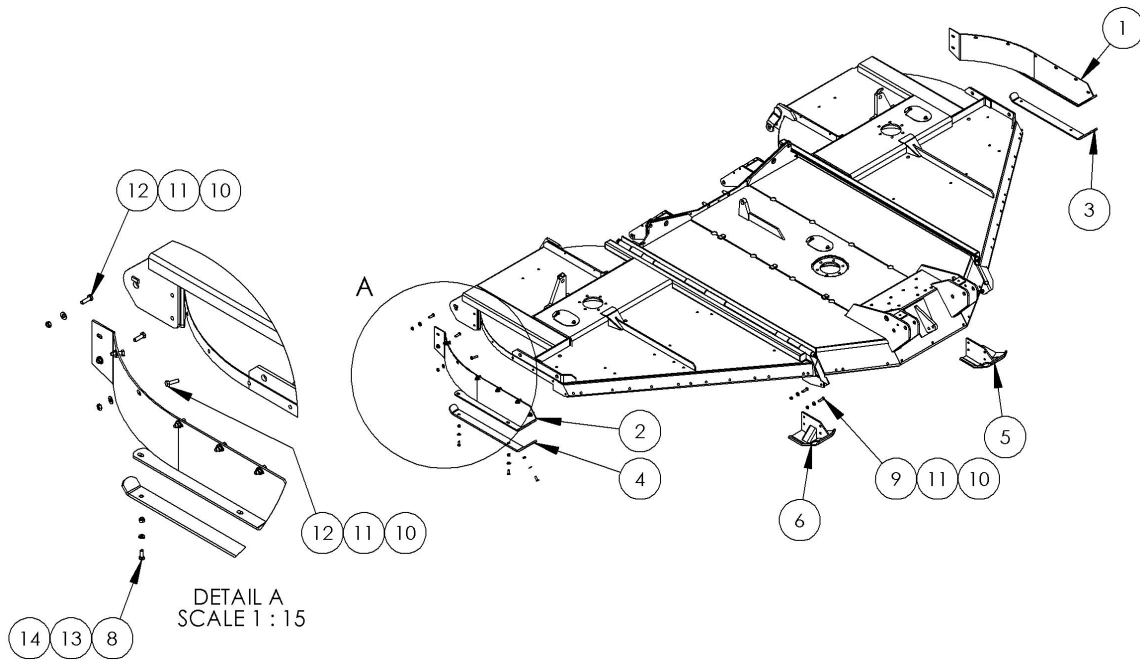
Ref	Part No	Description	QTY
24	2770664	NYLOCK NUT	8
25	8771334	RH MARKER LIGHT	1

77.600.71 - FRONT REFLECTOR S - TW4600



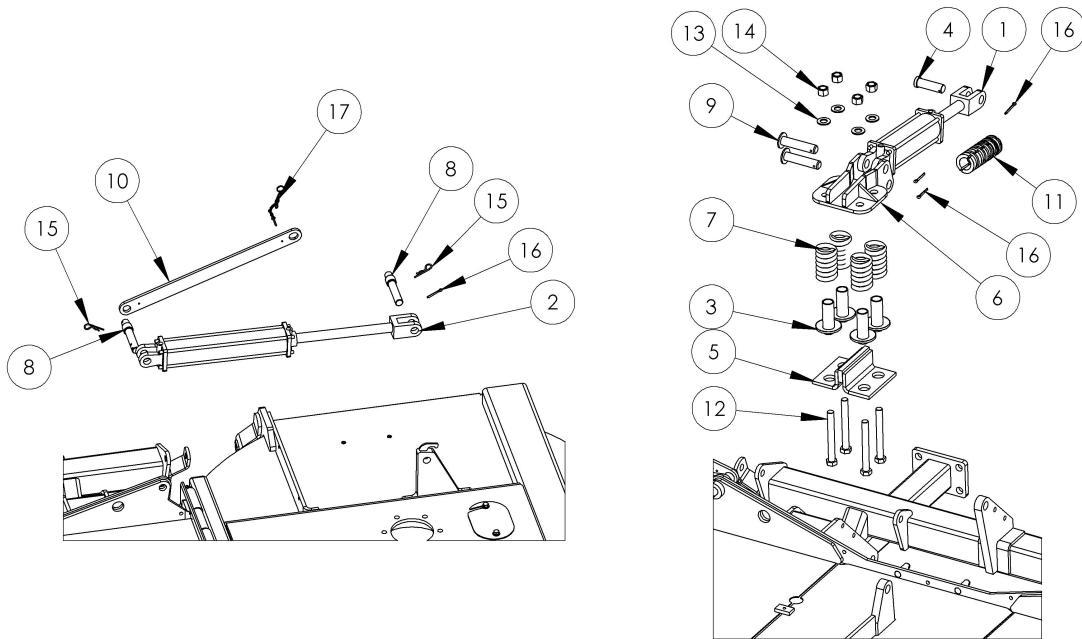
Ref	Part No	Description	QTY
1	8771322	CLEAR REFLECTOR-55MM DIA	2
2	05.264.23	SETSCREW	4
3	05.281.03	WASHER	4
4	05.287.03	NUT	4
5	48145.07	REFLECTOR BRACKET LH	1
6	48145.08	REFLECTOR BRACKET RH	1

77.850.14 - SIDE SKIRTS & SKIDS



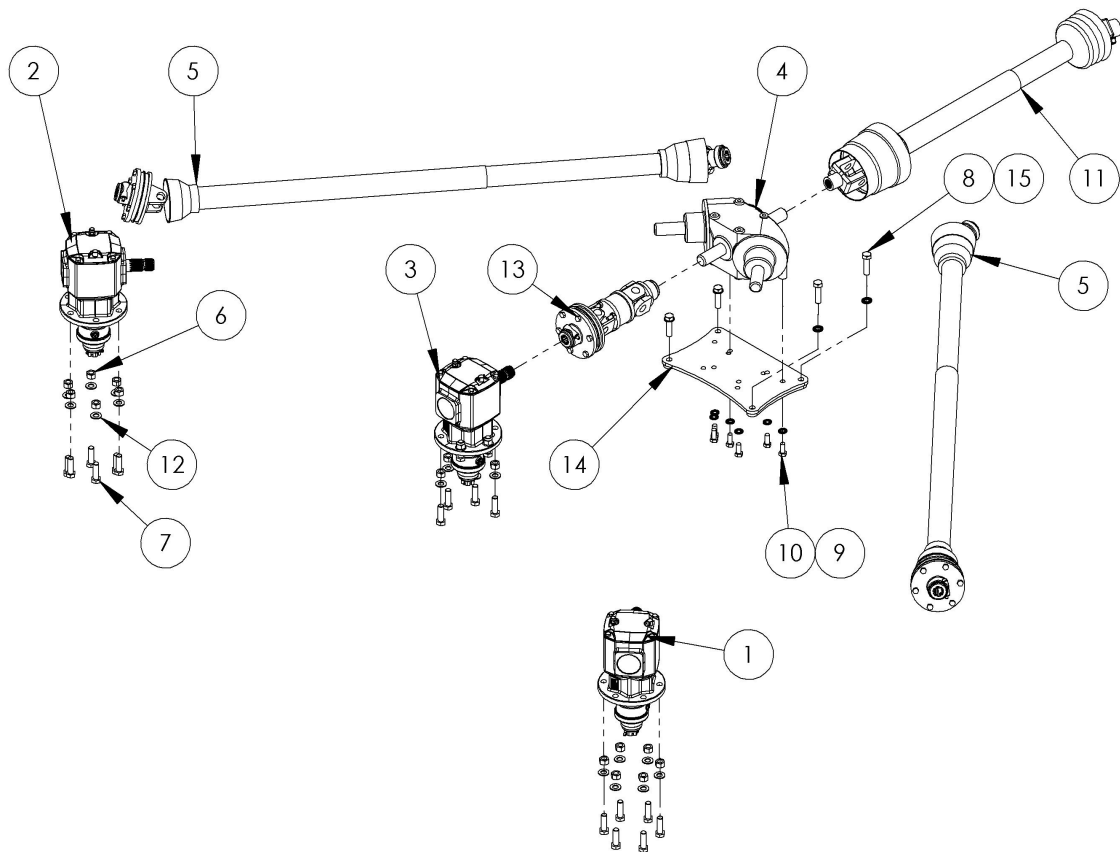
Ref	Part No	Description	QTY
1	45238.01	LH RUNNER	1
2	45238.02	RH RUNNER	1
3	45238.03	SHOE -LH	1
4	45238.04	SHOE -RH	1
5	45239.01	SKID -LH	1
6	45239.02	SKID -RH	1
7	45239.33	SPACER	2
8	6012034	TINE BOLT	6
9	05.264.26	SETSCREW	4
10	05.287.03	NUT	20
11	05.281.03	WASHER	20
12	05.264.25	SETSCREW	16
13	0100104	WASHER	6
14	0141004	NUT	6

77.850.15 - RAM ASSYS & FITTINGS



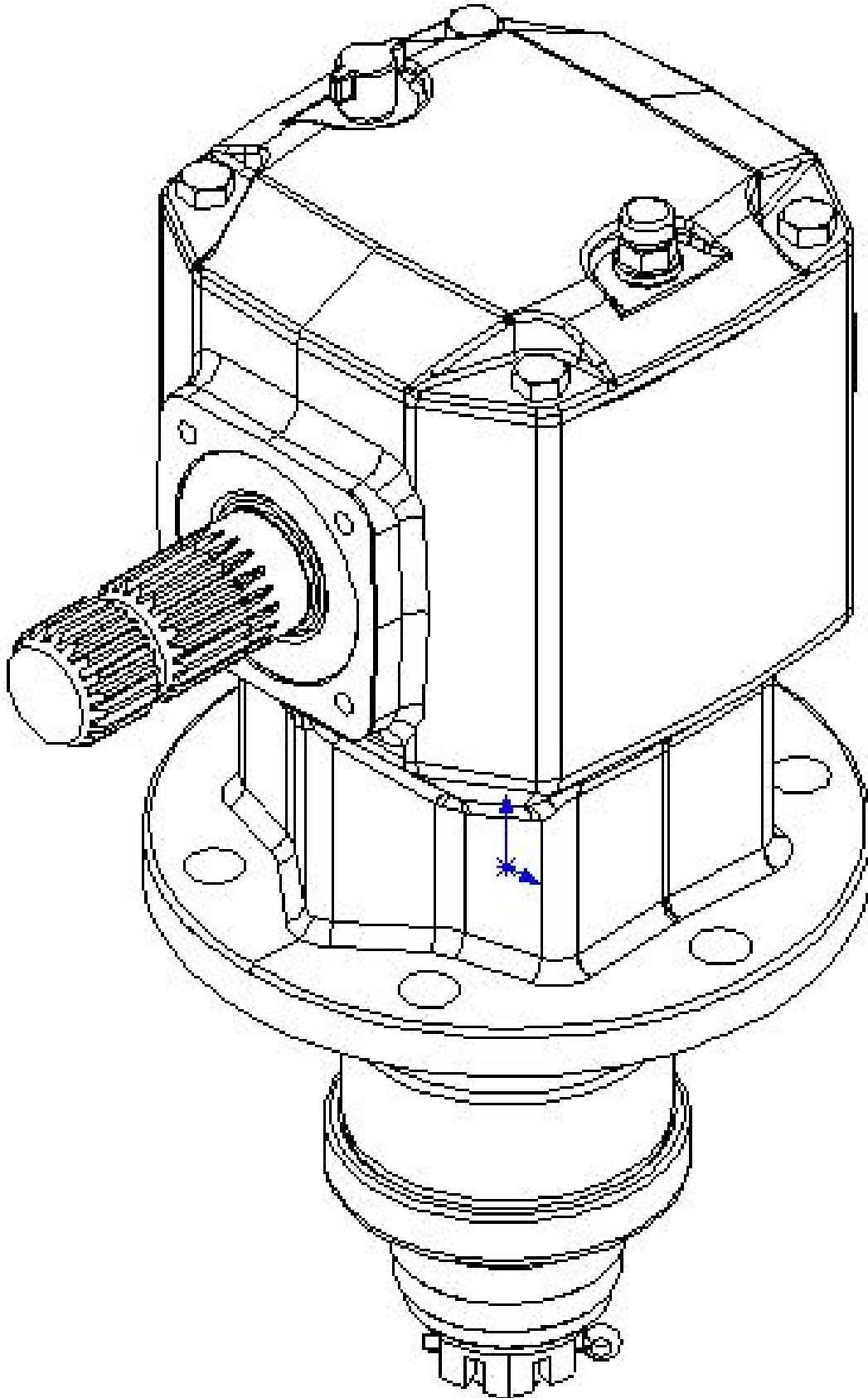
Ref	Part No	Description	QTY
1	8727A	RAM	1
2	8728A	RAM	2
3	45246.01	GUIDE	4
4	45217.01	PIN	1
5	45200.02	BRACKET	1
6	45200.01	BRACKET	1
7	371063A	SPRING	4
8	45163.01	PIN	4
9	45214.01	PIN	2
10	45201.01	BAR	2
11	00755234	SPACER KIT	1
12	0212527	BOLT	4
13	05.281.05	WASHER	4
14	05.296.07	NUT	4
15	05.964.01	SPRING CLIP	4
16	05.284.14	PIN	5
17	03.255.05	RING	2

77.850.21 - GEARBOX AND SHAFTS



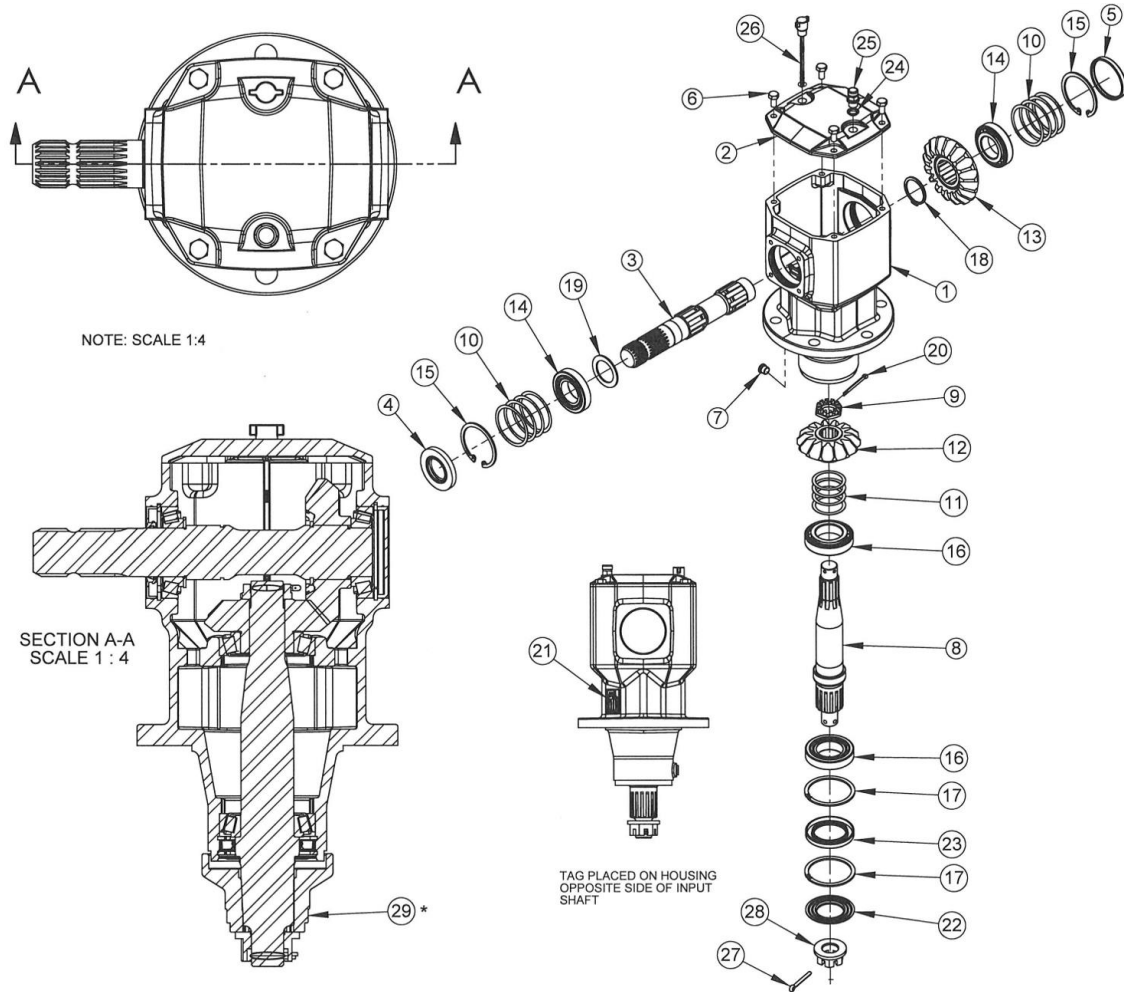
Ref	Part No	Description	QTY
1	00791056	GEARBOX	1
2	00791057	GEARBOX	1
3	00791061	GEARBOX	1
4	00769116P	GEARBOX DIVIDER SR15/6 1000	1
5	47718.03	WING PTO SHAFT	2
6	05.291.47	BOLT	18
7	05.287.05	SELF-LOCKING NUT	18
8	B001017	WASHER	6
9	05.256.34	SETSCREW	6
10	41622.11	PTO SHAFT	1
11	05.281.05	WASHER	18
12	65.044.35	GEARBOX OIL	8.9
13	47347.21	PTO SHAFT	1
14	46991.01	G'BOX INTERFACE PLATE	1
15	05.291.50	BOLT	4
16	B001020	WASHER	4

00791056 - GEARBOX



Ref	Part No	Description	QTY
0	00791056AP	GEARBOX	1

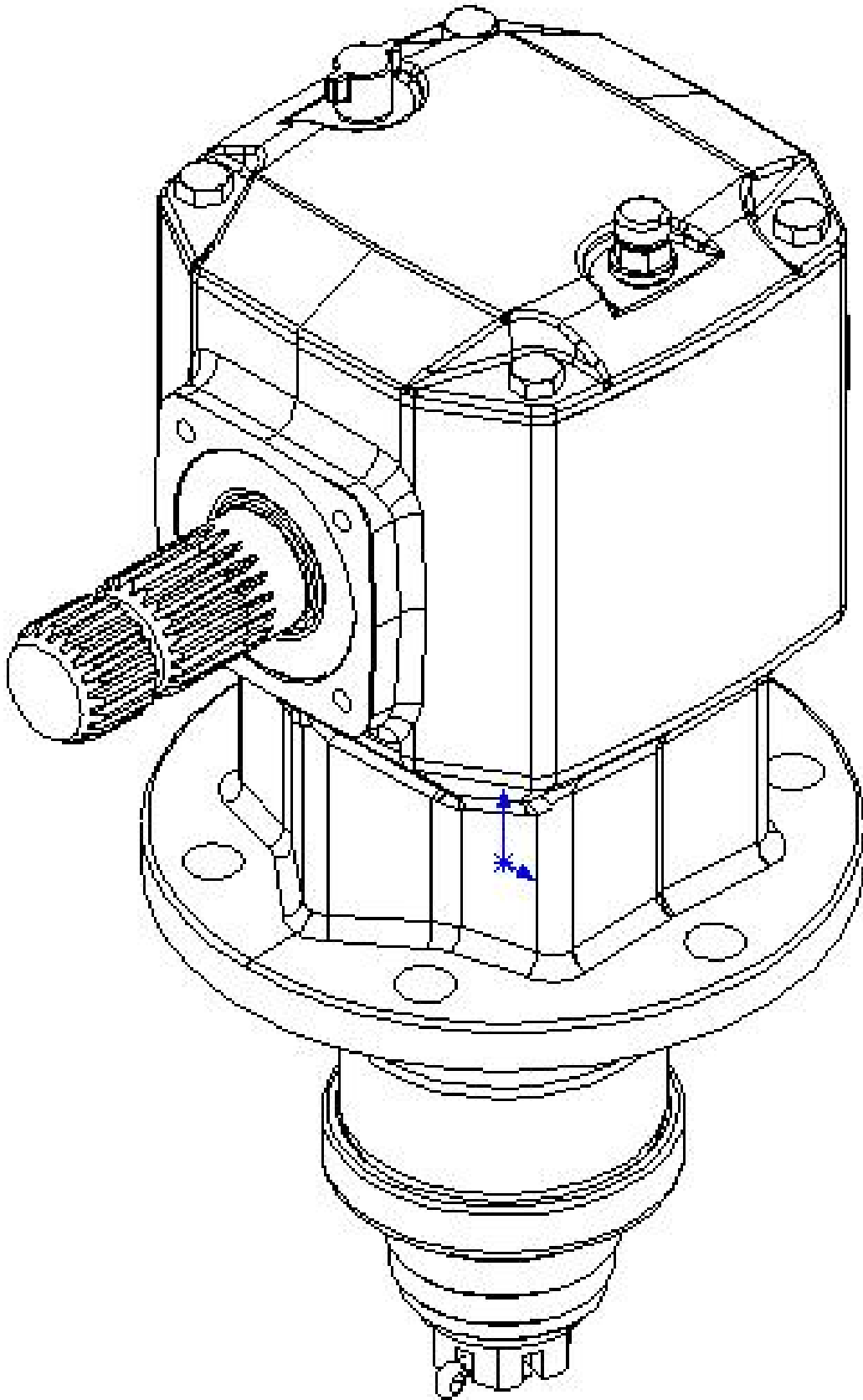
00791056AP - GEARBOX



Ref	Part No	Description	QTY
1	00791062	GEARBOX HOUSING	1
2	00791063	HOUSING CAP	1
3	00791064	INPUT SHAFT	1
4	00753238	OIL SEAL	1
5	00755634	OIL CAP	1
6	00754764	BOLT	4
7	00791032	OIL PLUG	1
8	00791065	OUTPUT SHAFT	1
9	00755621	CASTLE NUT	1
10	00791066	INPUT SHIM KIT	2
11	00791067	OUTPUT SHIM KIT	1
12	00791076	GEAR	1
13	00791077	GEAR	1
14	00755615	ROLLER BEARING	2
15	00755618	CIRCLIP	2
16	00769938	ROLLER BEARING	2
17	00791083	SNAP RING	2
19			
20			
21			
22			
23			
24			
25			
26			
27			
28			
29*			

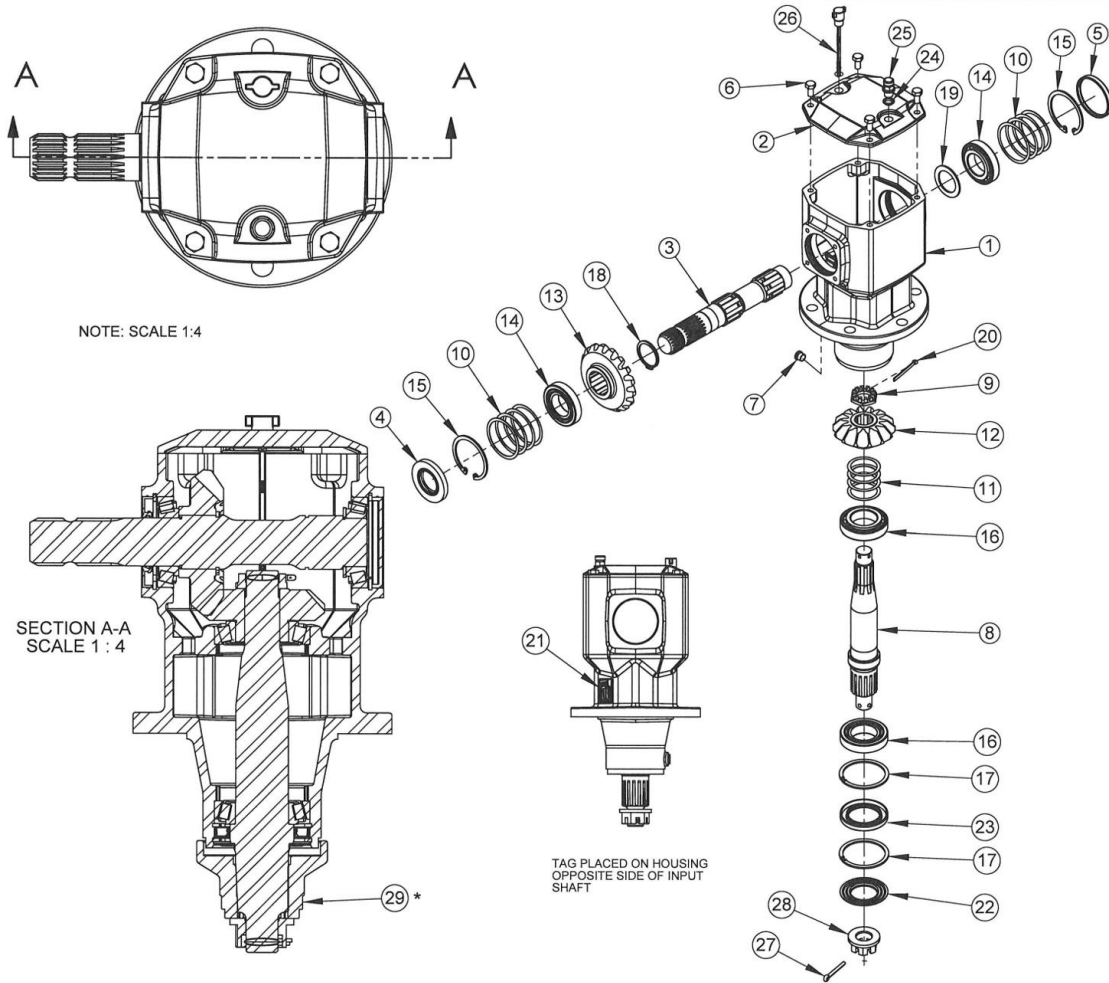
Ref	Part No	Description	QTY
18	48922.36	SNAP RING	1
19	00755632	SHIM	1
20	48922.37	COTTER PIN	1
21	00791082	TAG	1
22	00791085	PROTECTIVE SHIELD	1
23	00791084	OIL SEAL	1
24	00790983	SEALING WASHER	1
25	00790985	BREATHER PLUG	1
26	48922.38	OIL DIPSTICK	1
27	48922.39	CASTLE NUT	1
28	00791093	CASTLE NUT	1

00791057 - GEARBOX



Ref	Part No	Description	QTY
0	00791057AP	GEARBOX	1

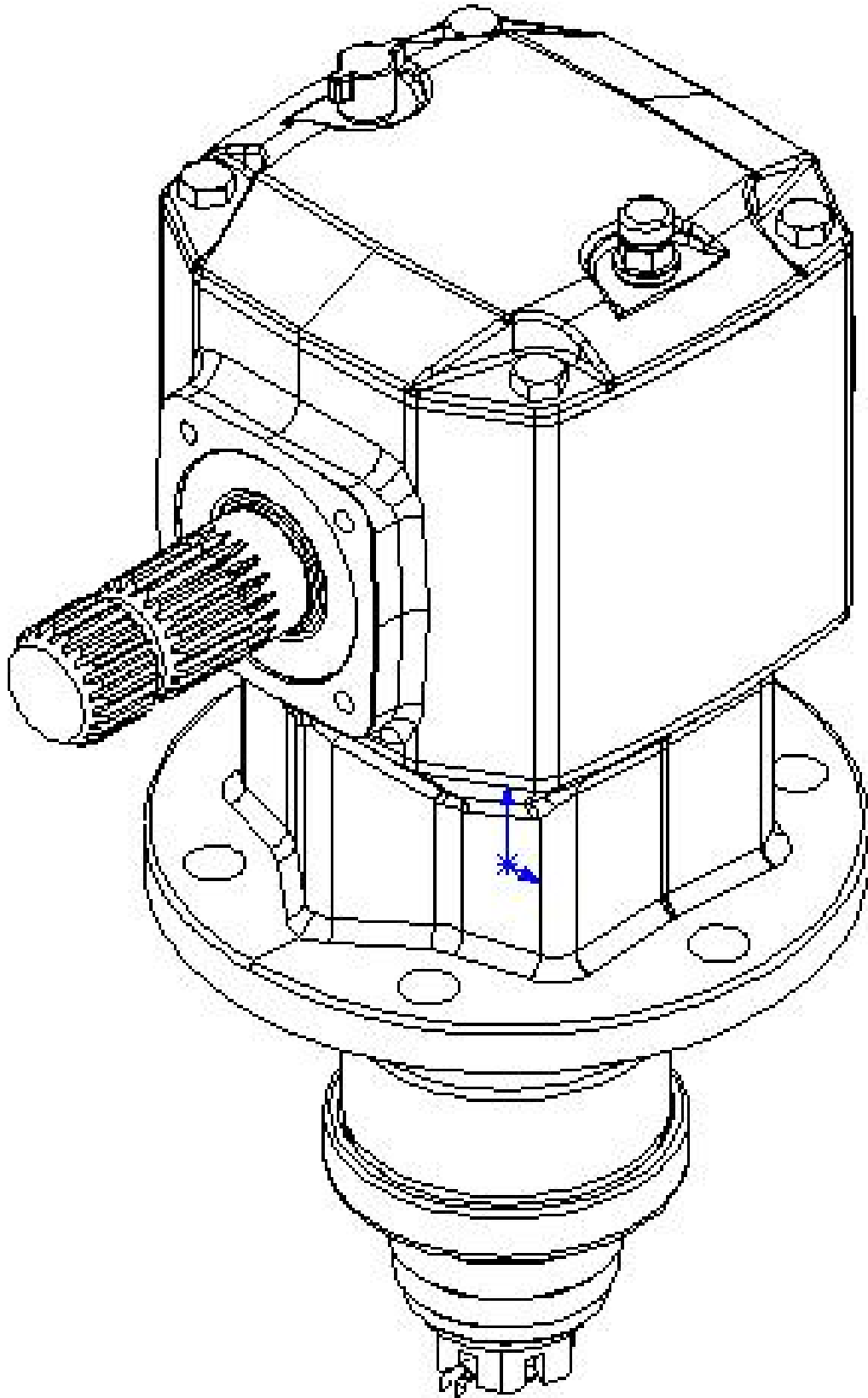
00791057AP - GEARBOX



Ref	Part No	Description	QTY
1	00791062	GEARBOX HOUSING	1
2	00791063	HOUSING CAP	1
3	00791064	INPUT SHAFT	1
4	00753238	OIL SEAL	1
5	00755634	OIL CAP	1
6	00754764	BOLT	4
7	00791032	OIL PLUG	1
8	00791065	OUTPUT SHAFT	1
9	00755621	CASTLE NUT	1
10	00791066	INPUT SHIM KIT	2
11	00791067	OUTPUT SHIM KIT	1
12	00791076	GEAR	1
13	00791077	GEAR	1
14	00755615	ROLLER BEARING	2
15	00755618	CIRCLIP	2
16	00769938	ROLLER BEARING	2
17	00791083	SNAP RING	2

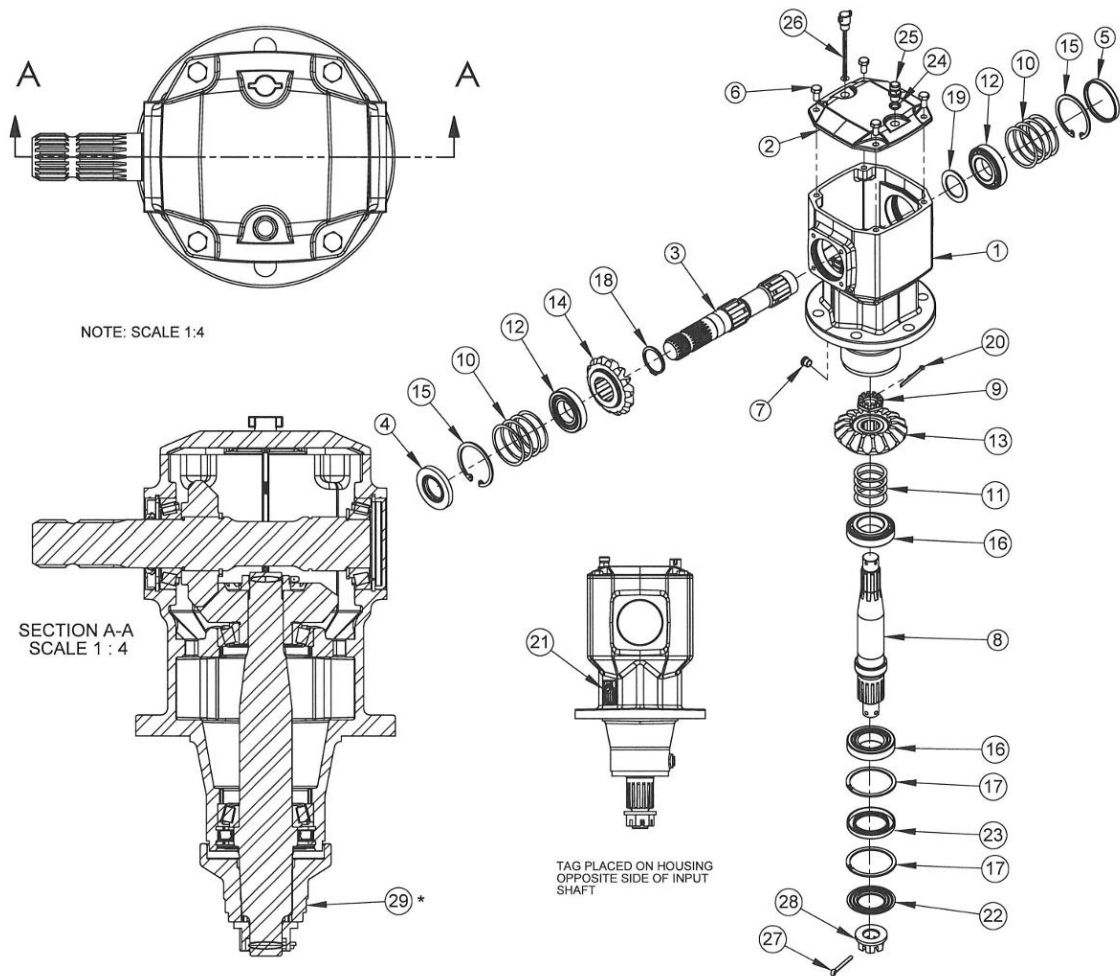
Ref	Part No	Description	QTY
18	48922.36	SNAP RING	1
19	00755632	SHIM	1
20	48922.37	COTTER PIN	1
21	00791082	TAG	1
22	00791085	PROTECTIVE SHIELD	1
23	00791084	OIL SEAL	1
24	00790983	SEALING WASHER	1
25	00790985	BREATHER PLUG	1
26	48922.38	OIL DIPSTICK	1
27	48922.39	CASTLE NUT	1
28	00791093	CASTLE NUT	1

00791061 - GEARBOX



Ref	Part No	Description	QTY
0	00791061AP	GEARBOX	1

00791061AP - GEARBOX

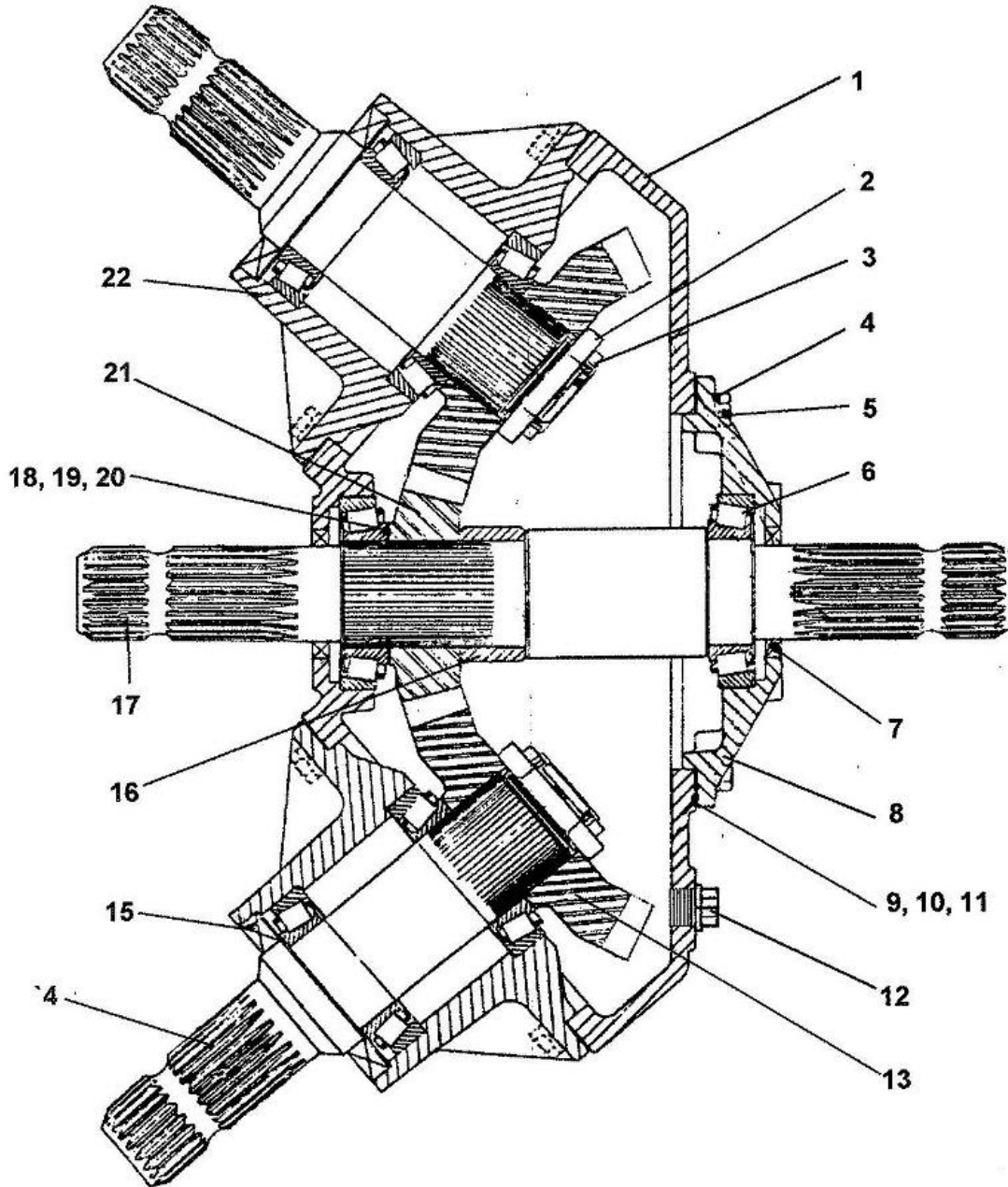


Ref	Part No	Description	QTY
1	00791062	GEARBOX HOUSING	1
2	00791063	HOUSING CAP	1
3	00791064	INPUT SHAFT	1
4	00753238	OIL SEAL	1
5	00755634	OIL CAP	1
6	00754764	BOLT	4
7	00791032	OIL PLUG	1
8	00791065	OUTPUT SHAFT	1
9	00755621	CASTLE NUT	1
10	00791066	INPUT SHIM KIT	2
11	00791067	OUTPUT SHIM KIT	1
12	00755615	ROLLER BEARING	2
13	00791091	17 TOOTH GEAR	1
14	00791092	14 TOOTH GEAR	1
15	00755618	CIRCLIP	2
16	00769938	ROLLER BEARING	2
17	00791083	SNAP RING	2

Ref	Part No	Description	QTY
18	48922.36	SNAP RING	1
19	00755632	SHIM	1
20	48922.37	COTTER PIN	1
21	00791082	TAG	1
22	00791085	PROTECTIVE SHIELD	1
23	00791084	OIL SEAL	1
24	00790983	SEALING WASHER	1
25	00790985	BREATHER PLUG	1
26	48922.38	OIL DIPSTICK	1
27	48922.39	CASTLE NUT	1
28	00791093	CASTLE NUT	1

00769116P - GEARBOX DIVIDER

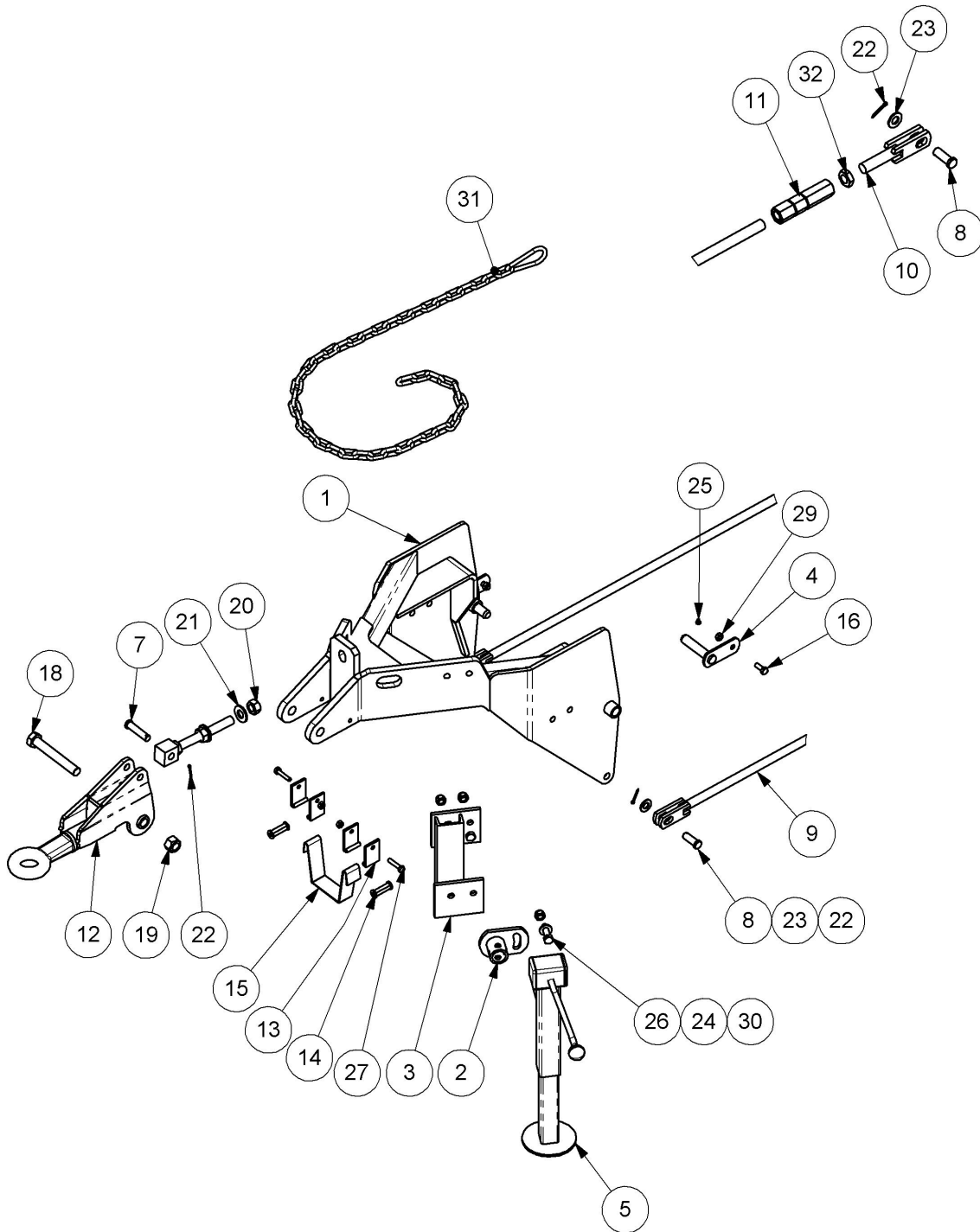
SR15/6 1000



Ref	Part No	Description	QTY
1	00769162	HOUSING	1
2	00762121	NUT	2
3	00026200	PIN	2
4	00755954	WASHER	24
5	00758659	USE 9313065	24
6	00755628	USE 00769938	6
7	00758653	SEAL	2
8	00762128	CAP	1

Ref	Part No	Description	QTY
9	00758646	SHIM	0
10	00758647	SHIM	0
11	00758648	SHIM	0
12	00762123	USE 00770737	1
13	00769159	GEAR	2
14	00762522	SHAFT	2
15	00762521	SEAL	2
16	00758657	SPACER	1
17	00769163	SHAFT	1
18	00758667	SHIM	0
19	00758666	USE 00758667	0
20	00758668	SHIM	0
21	00769158	GEAR	1
22	00762520	CAP	2
23	00762114	BREATHER	1

77.850.39 - HIGH HITCH ASSY - TW4600 SWVL



Ref	Part No	Description	QTY
1	45203.02	TW4600 HIGH HITCH TONGUE	1
2	45186.01	MOUNTING	1
3	45407.01	APAPTOR	1
4	45185.01	PIN	2
5	1048060	JACK	1
6	45203.03	ROD	1

Ref	Part No	Description	QTY
7	45213.01	PIN	1
8	45213.03	PIN	4
9	45226.01	ROD	2
10	45226.02	ROD	2
11	45227.01	NUT	2
12	45235.15	SWIVEL EYE - HIGH HITCH	1
13	45830.21	CLEAT	4
14	45830.22	ROD	2
15	45830.46	STRAP	1
16	9313066	SCREW	2
17	9313097	SCREW	1
18	0211569	BOLT	1
19	05.295.07	NUT	1
20	05.286.06	NUT	2
21	9100109	WASHER	2
22	9501326	PIN	5
23	0100107	WASHER	4
24	0100106	WASHER	2
25	01.070.04	GREASE NIPPLE	2
26	05.291.36	BOLT	2
27	05.291.15	BOLT	2
28	05.287.02	NUT	2
29	05.287.03	NUT	2
30	9163007	NUT	4
31	00764515	CHAIN	1
32	30.070.62	NUT	2