

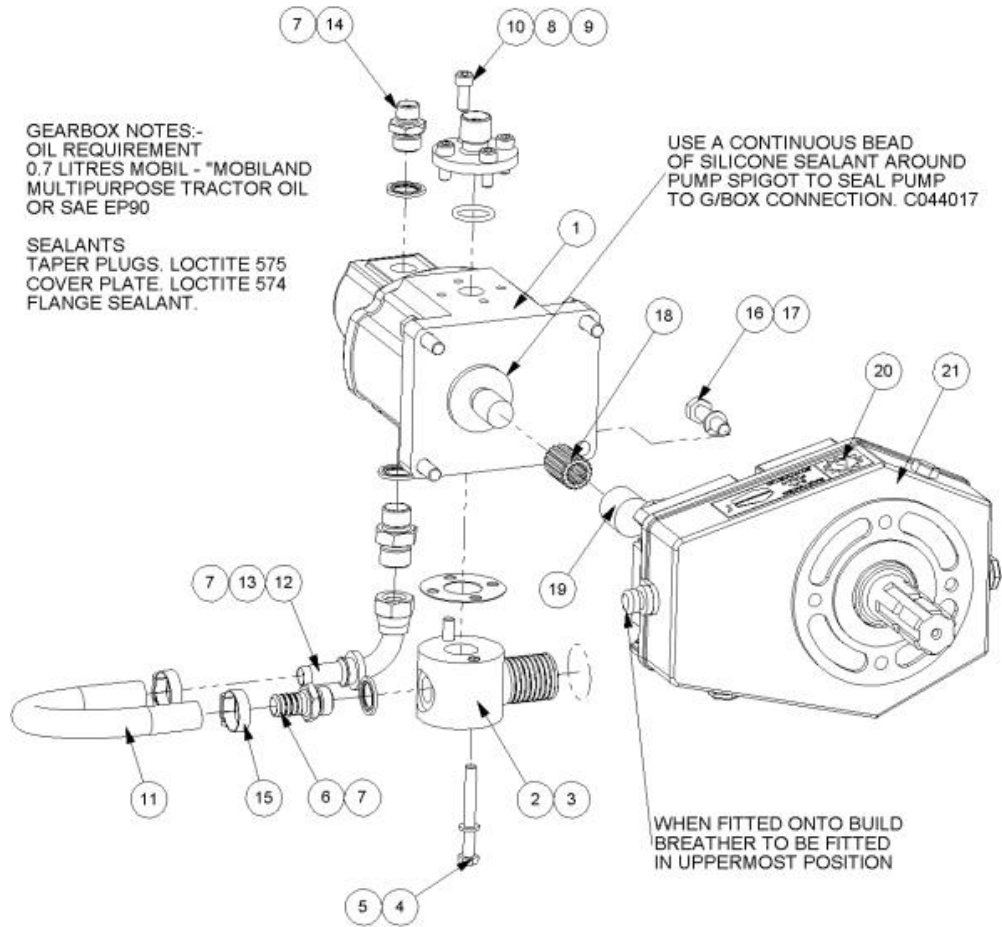
PARTS MANUAL

FOR

SERIAL NO: M2061199

PRINTED ON 10 APR 2020

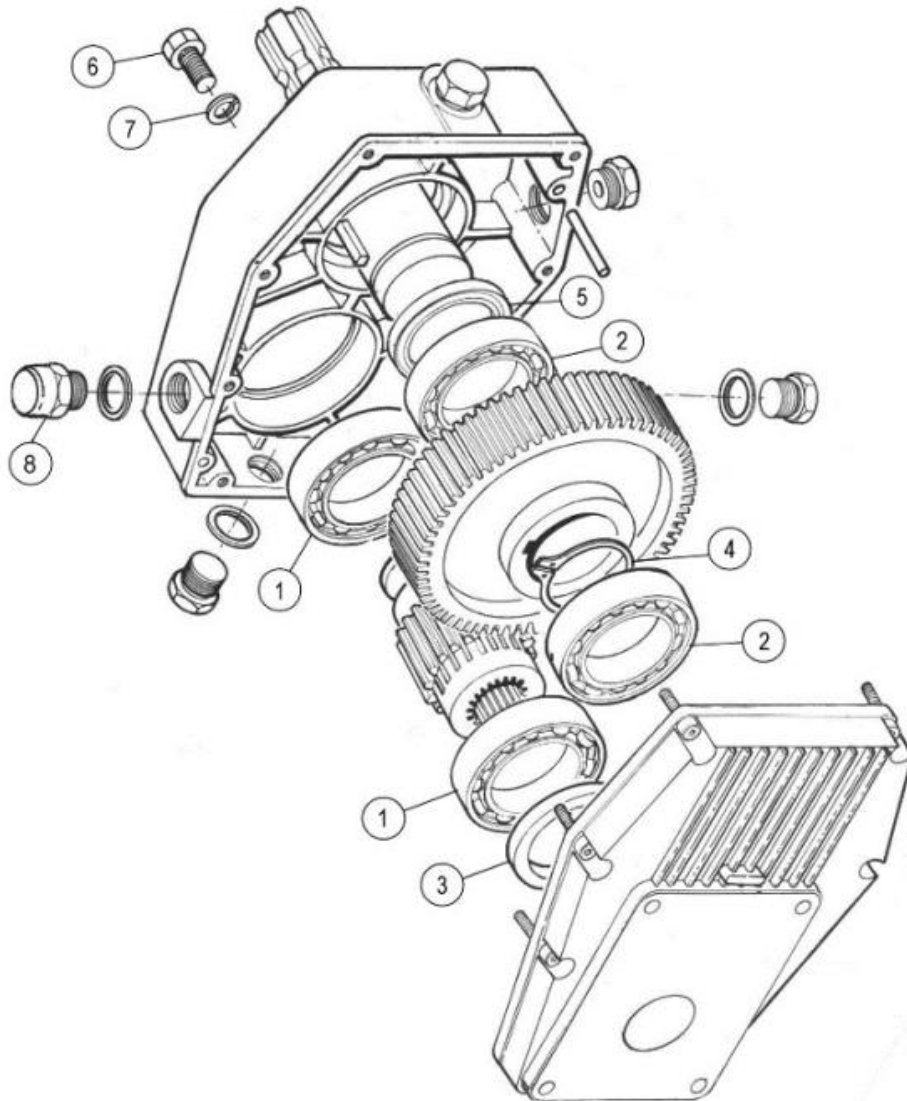
41317.11 - PUMP & GEARBOX ASSY



Ref	Part No	Description	QTY
1	8201693	PUMP	1
2	8013082	CONNECTION	1
3	8013023	GASKET	1
4	9213144	BOLT	2
5	9100204	WASHER	2
6	8002059	CONNECTION	1
7	8650104	SEAL	3
8	8013083	CONNECTION	1
9	8600119	"O" RING	1
10	9300147	SCREW	4
11	8501099	HOSE	1
12	8581173	ELBOW	1
13	G3812120	ADAPTOR	1
14	6000112	ADAPTOR	1
15	0904204	CLIP	2
16	9213095	BOLT	4

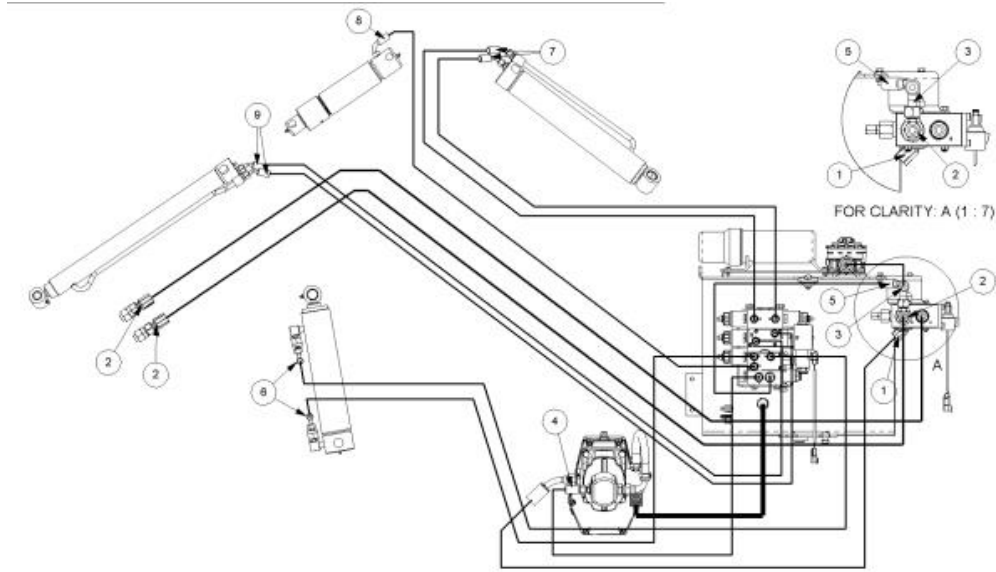
Ref	Part No	Description	QTY
17	9100205	WASHER	4
18	8013097	ADAPTOR	1
19	42415.02	SPACER	1
20	1290030	DECAL	1
21	8013443	GEARBOX 2.60 :1 RATIO	1

8013443 - GEARBOX 2.60 :1 RATIO



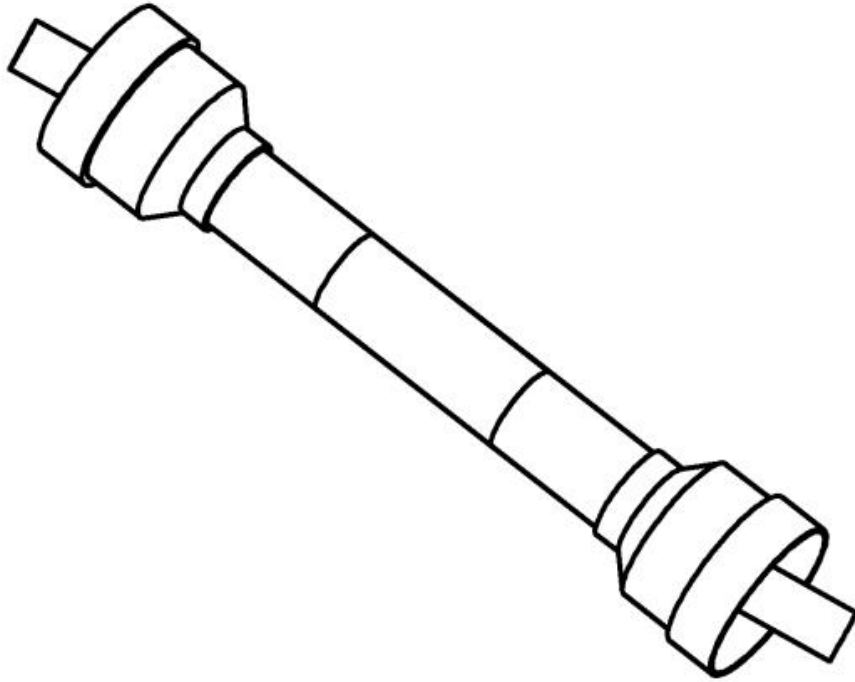
Ref	Part No	Description	QTY
1	0600047	BEARING	2
2	0600048	BEARING	2
3	8629139	SEAL	1
4	0401250	CIRCLIP	1
5	8629134	SEAL	1
6	9313046	SCREW	4
7	9100206	WASHER	4
8	5771124	BREATHER	1

41320.44 - PA3530 HOSE KIT (REV A) LH FM

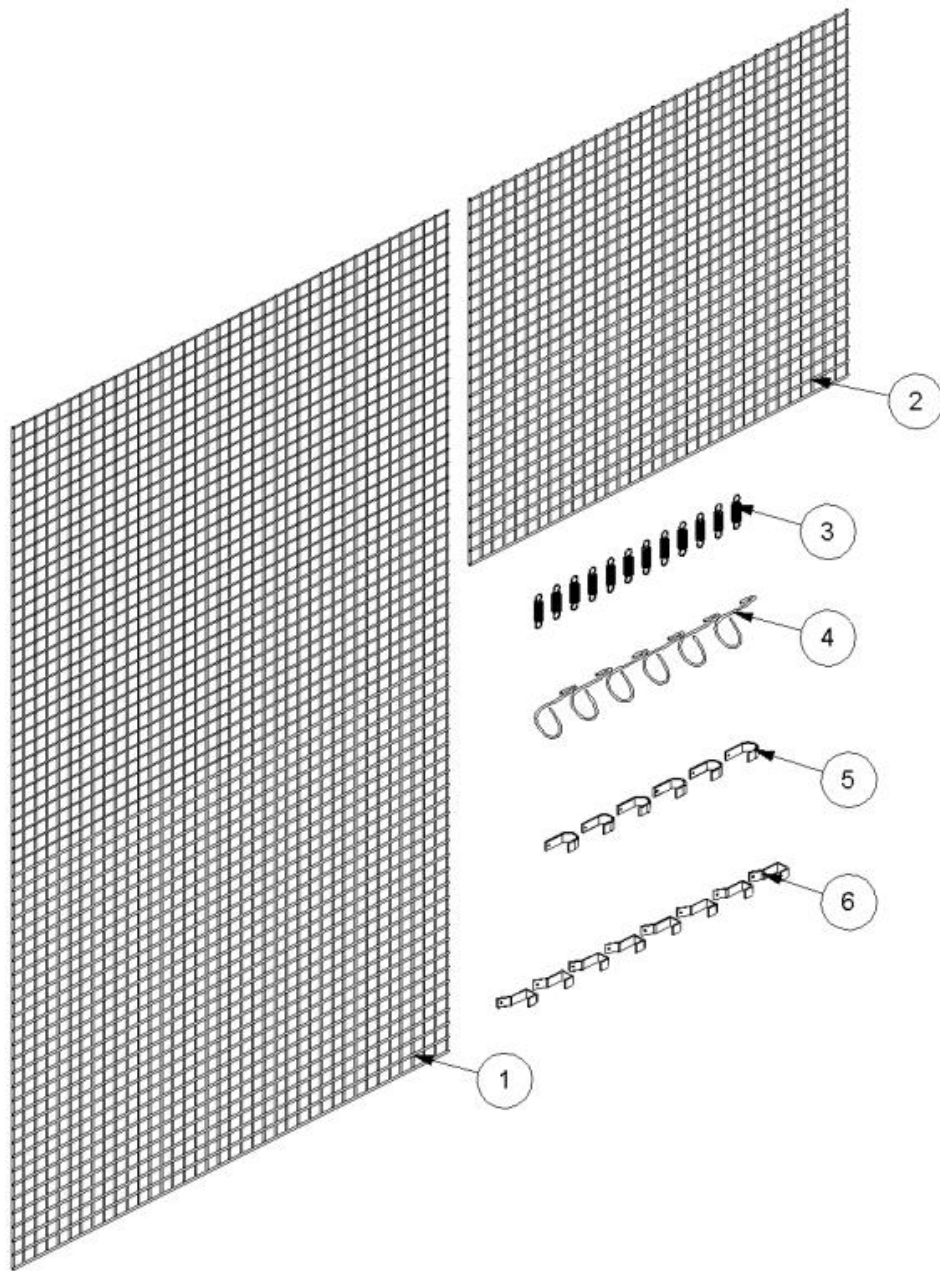


Ref	Part No	Description	QTY
0	10.002.25	HOSE	2
0	10.002.41	HOSE	1
0	10.003.11	HOSE	1
0	10.006.12	HOSE	1
0	10.007.39	5/8" HOSE	2
0	10.008.08	HOSE	1
0	10.017.36	HOSE	2
0	10.017.41	HOSE	2
0	10.020.04	HOSE	1

7114289 - PTO SHAFT

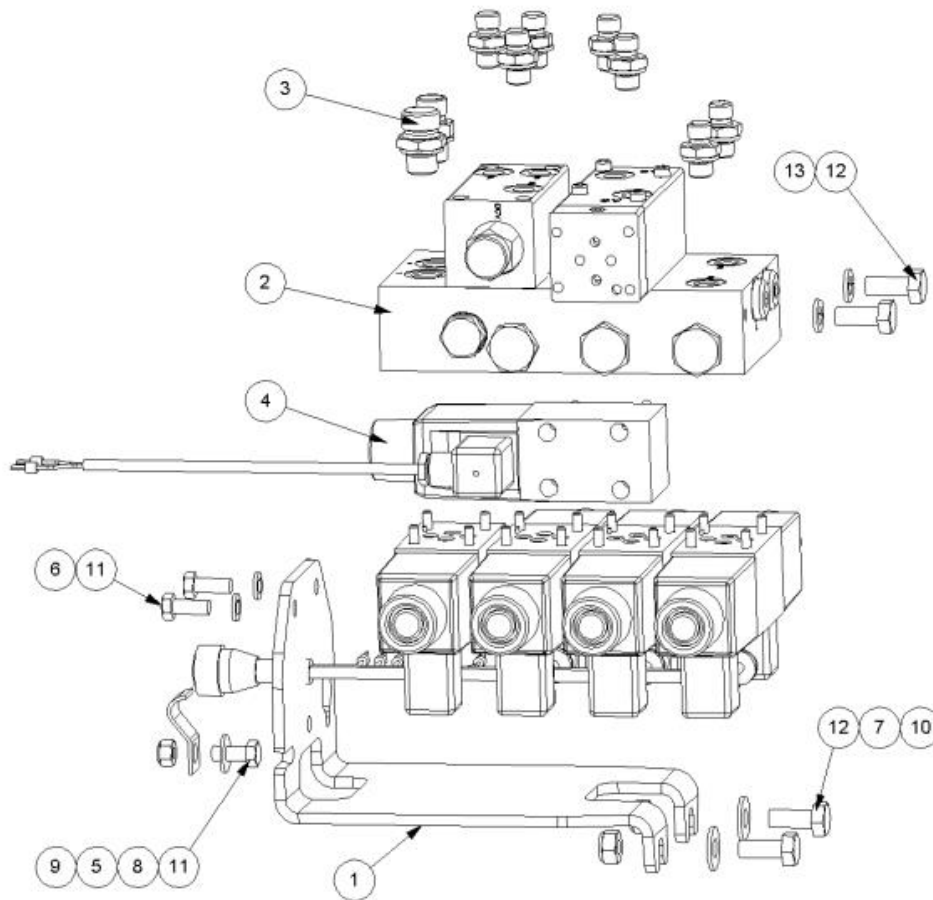


7313324 - GUARD KIT



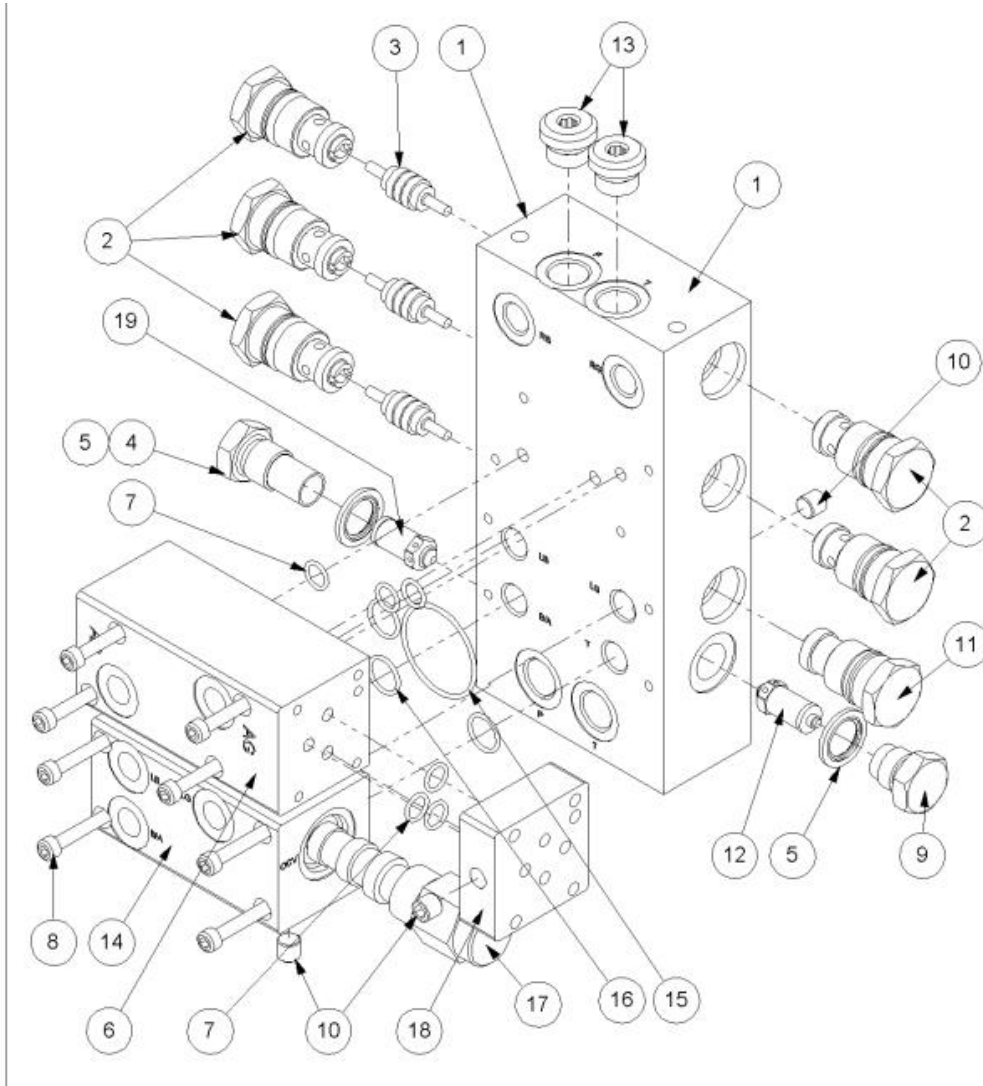
Ref	Part No	Description	QTY
1	7313049	GUARD PANEL	1
2	7313050	GUARD PANEL	1
3	6001064	SPRING	12
4	6001065	HOOK	6
5	41587.01	GUARD HOOK	6
6	41745.01	HOOK	8
7	22342.01	CABLE TIE	1
8	7196045	HOSE TIE	2

7435700 - ACV ASSY



Ref	Part No	Description	QTY
1	41196.57	VALVE MTG PLATE	1
2	22523.27	MANIFOLD ASSY	1
3	22524.96	ADAPTOR KIT	1
4	22525.57	SOLENOID	1
5	7109151	CLAMP	1
6	9100204	WASHER	2
7	9100105	WASHER	2
8	9100104	WASHER	1
9	9163004	NUT	1
10	9163005	NUT	2
11	9313044	SCREW	3
12	9313055	SCREW	4
13	9100205	WASHER	2

22523.27 - MANIFOLD ASSY



Ref	Part No	Description	QTY
1	8132309	MANIFOLD 3 BANK	1
2	8130090	VALVE	5
3	8130087	ACTUATOR	3
4	8130032	CAP	1
5	8650103	SEAL	2
6	8126333	BLOCK	1
7	8700511	"O" RING	6
8	9243082	SCREW	8
9	8130031	CAP	1
10	8582041	PLUG	3
11	8130354	VALVE	1
12	8130164	VALVE	1
13	8581436	ADAPTOR	2
14	8132310	MANIFOLD	1
15	8600517	'O'RING-1.7/16"	1
16	8700517	O RING	3

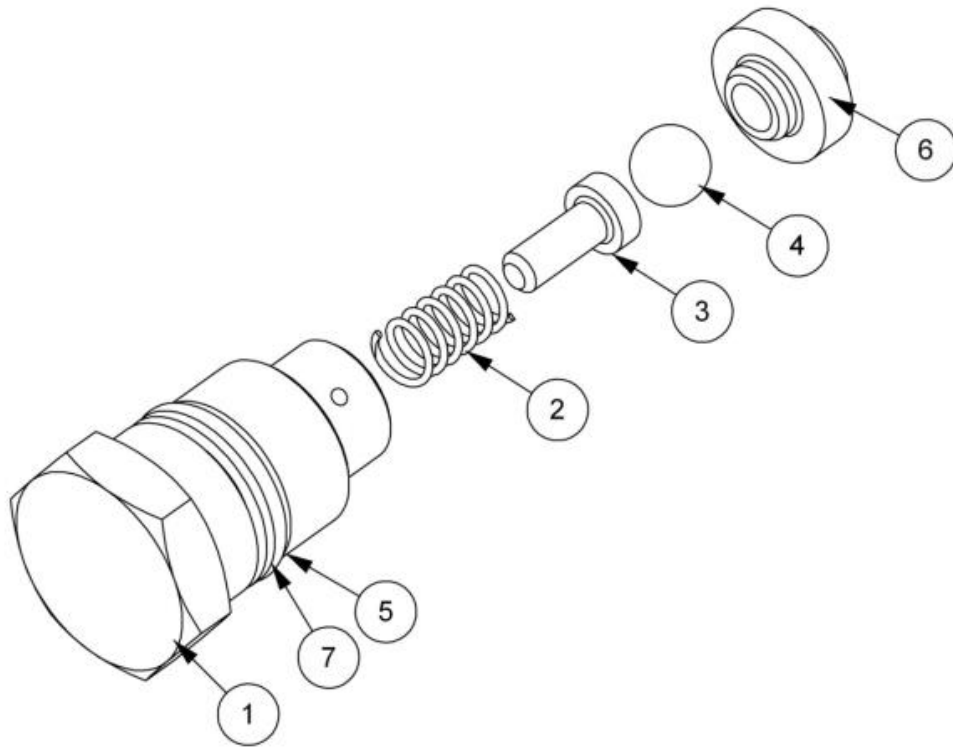
Ref	Part No	Description	QTY
17	8130204	VALVE	1
18	8126334	PLATE	1
19	8130029	VALVE	1

8132309 - MANIFOLD 3 BANK

No Picture
Available

Ref	Part No	Description	QTY
1	8130303S	BLOCK	1

8130090 - VALVE

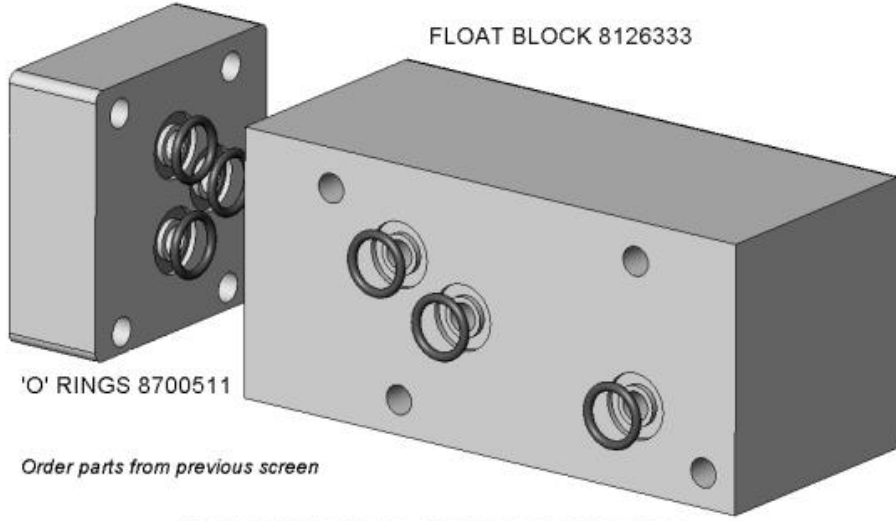


Ref	Part No	Description	QTY
1	8130025	CAP	1
2	8114045	SPRING	1
3	8130089	GUIDE	1
4	0905509	BALL	1
5	8700644	"O" RING	1
6	8130088	SEAT	1
7	8709644	ANTI.EXT.RING	1

8126333 - BLOCK

BRIDGING PLATE 8126334

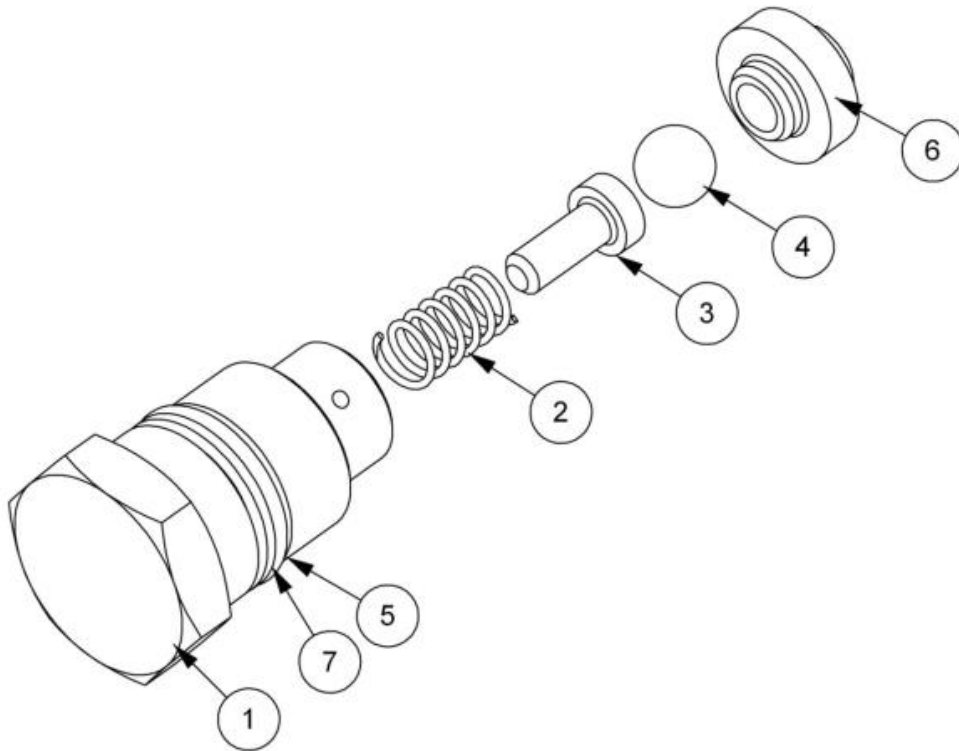
FLOAT BLOCK 8126333



IDENTIFICATION & LOCATION OF 'O' RINGS

Ref	Part No	Description	QTY
1	0036	BRIGHT SQUARE	116

8130354 - VALVE

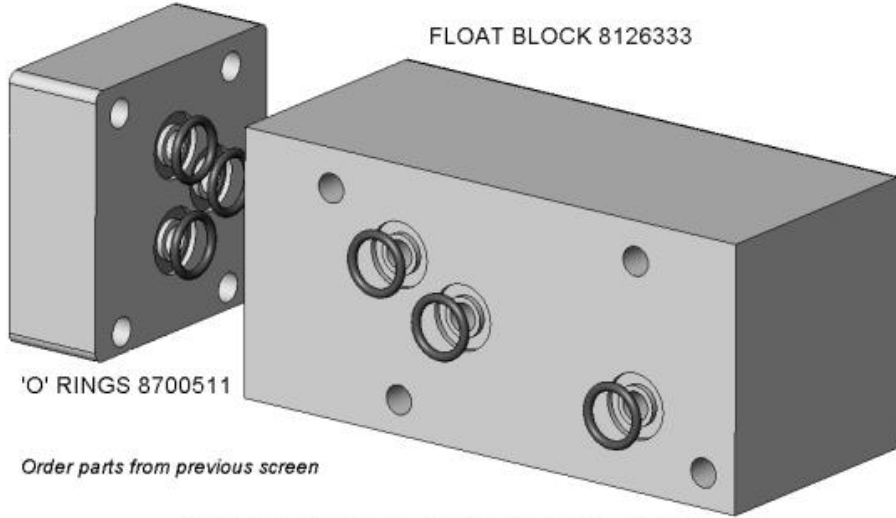


Ref	Part No	Description	QTY
1	8130209	CAP	1
2	8114045	SPRING	1
3	8130089	GUIDE	1
4	0905509	BALL	1
5	8700644	"O" RING	1
6	8130088	SEAT	1
7	8709644	ANTI.EXT.RING	1

8126334 - PLATE

BRIDGING PLATE 8126334

FLOAT BLOCK 8126333



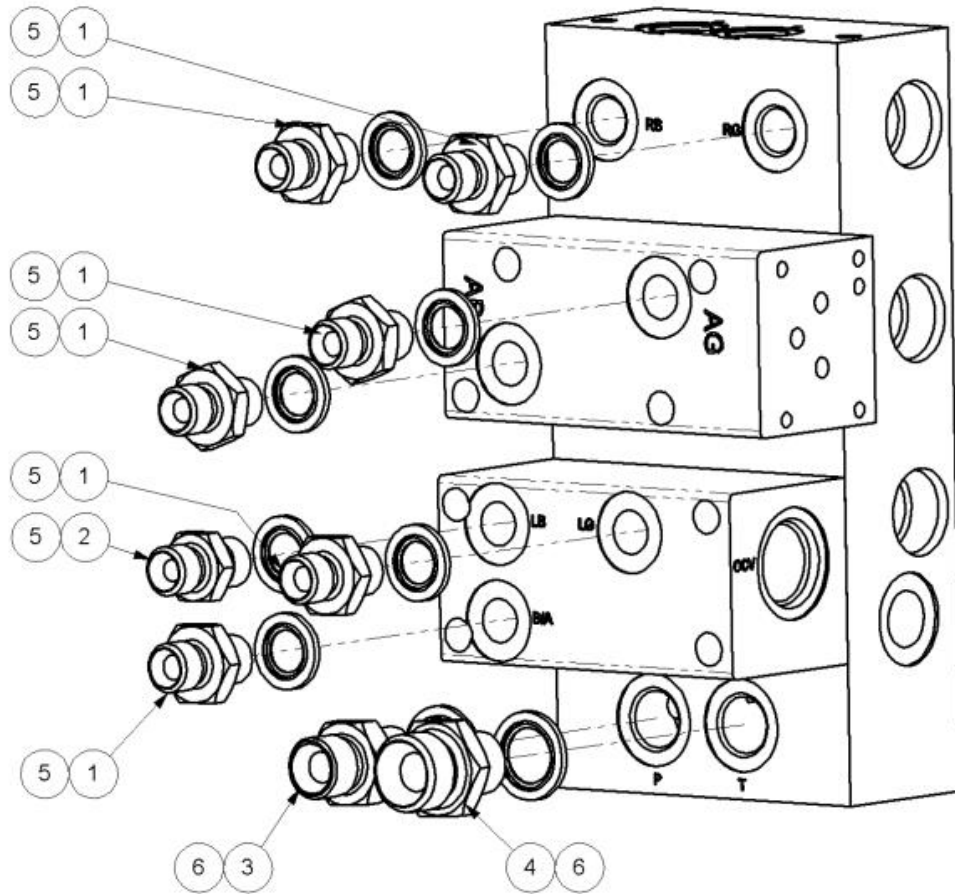
'O' RINGS 8700511

Order parts from previous screen

IDENTIFICATION & LOCATION OF 'O' RINGS

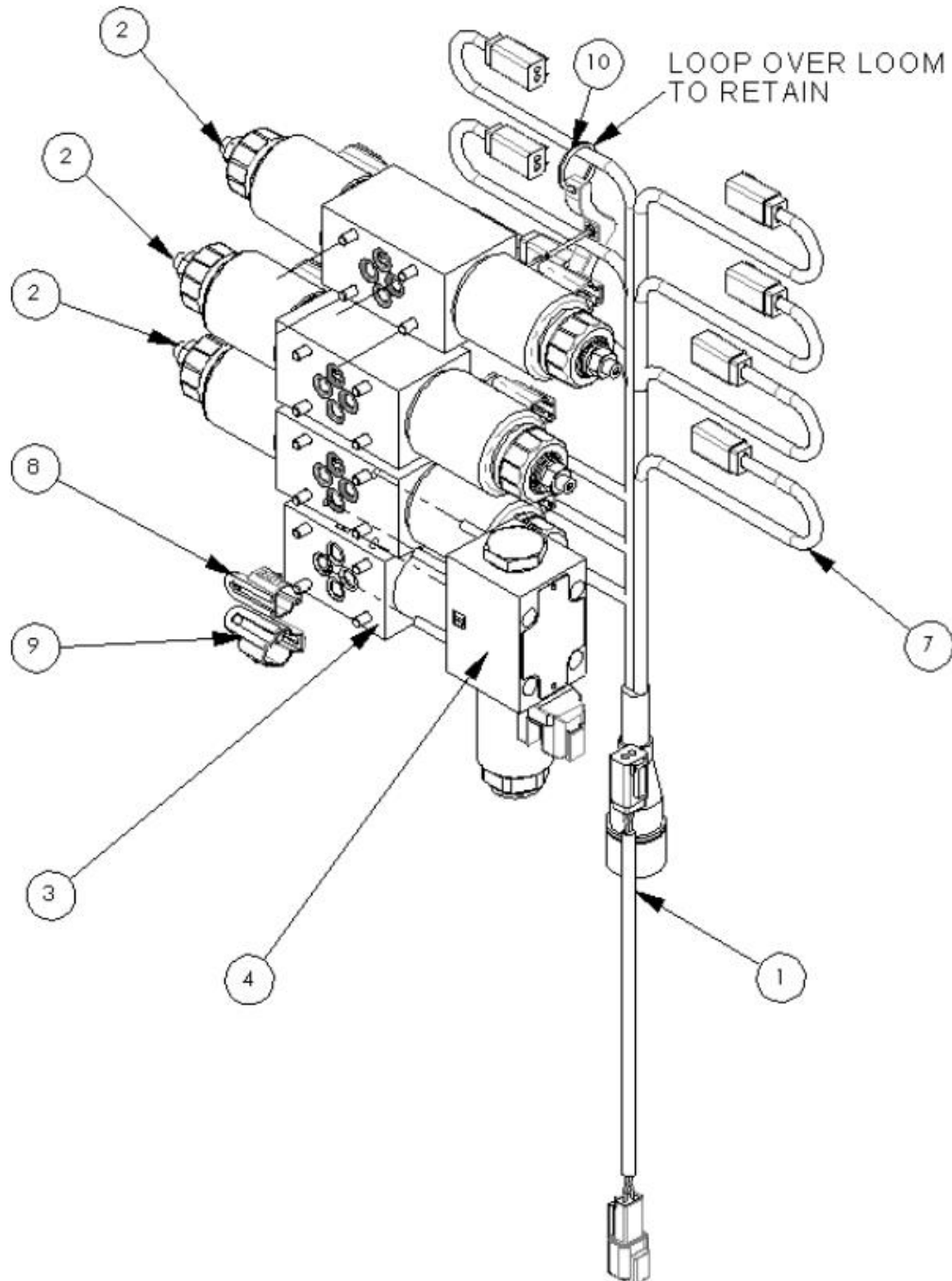
Ref	Part No	Description	QTY
1	0036	BRIGHT SQUARE	26

22524.96 - ADAPTOR KIT



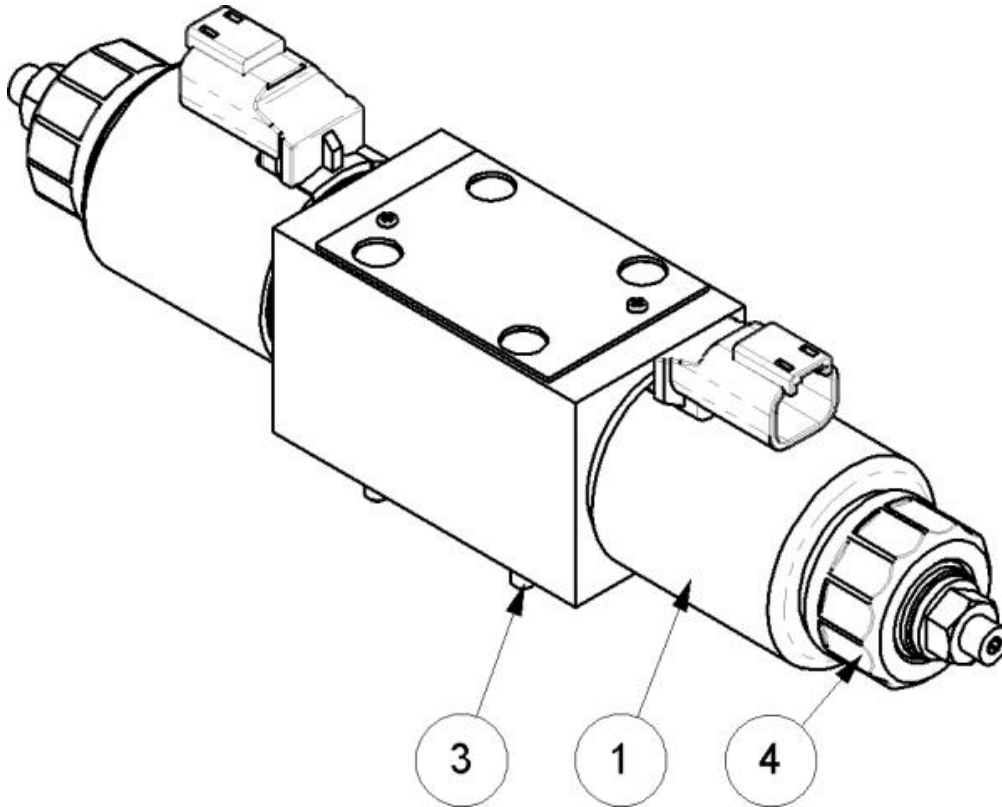
Ref	Part No	Description	QTY
1	8581169	ADAPTOR	6
2	8130038	RESTRICTOR	1
3	6000113	ADAPTOR	1
4	6000112	ADAPTOR	1
5	8650102	SEAL	7
6	8650103	SEAL	2

22525.57 - SOLENOID



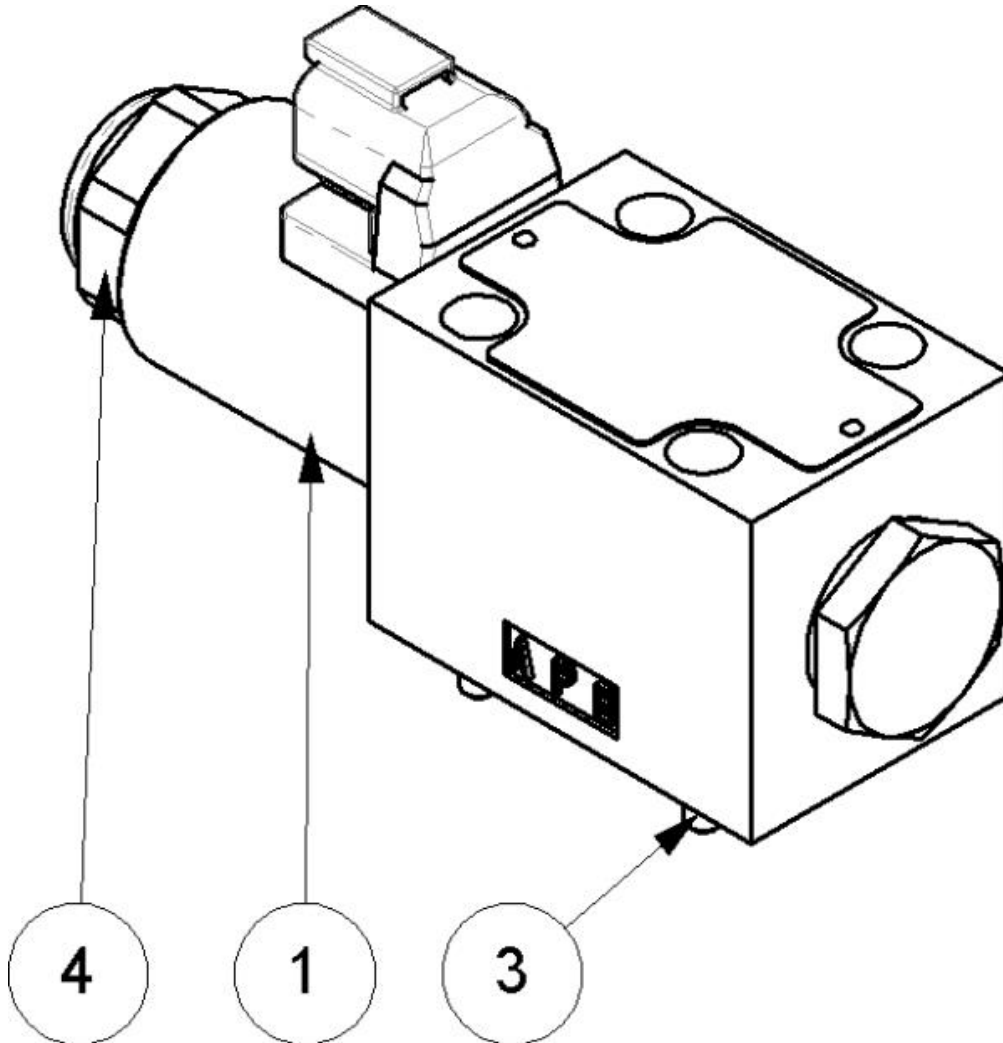
Ref	Part No	Description	QTY
1	41844.34	LOOM ANGLE FLOAT DT CONNECTOR	1
2	23550.11	PROP DCV	3
3	23550.13	VALVE	1
4	23550.15	DCV	1
7	41844.27	LOOM 14 CORE 19WAY PLUG DT	1
8	45594.41	SEALING CAP	1
9	45594.42	SEALING CAP	1
22	23550.18	TOOL - MANUAL SOL. OPERATION	1

23550.11 - PROP DCV



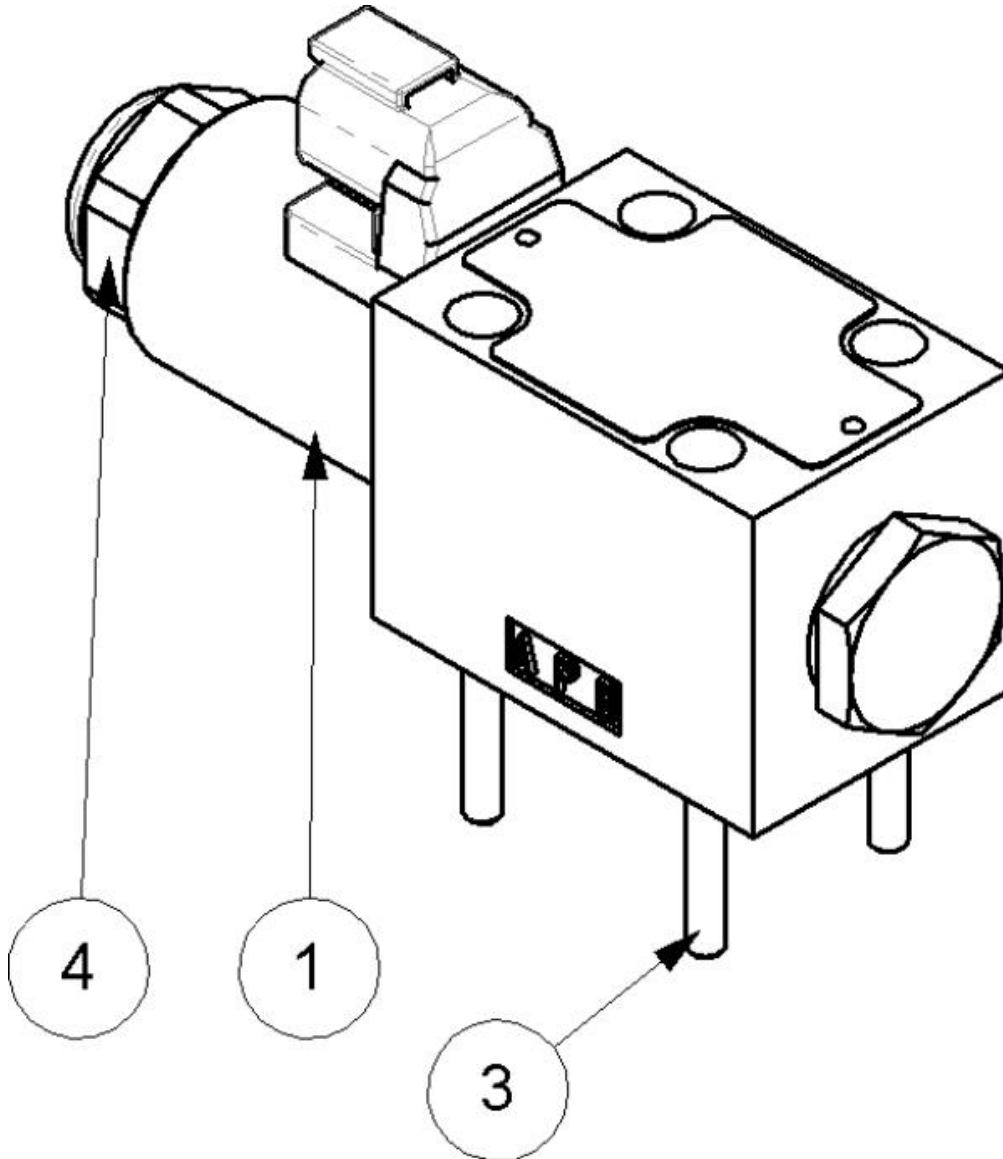
Ref	Part No	Description	QTY
1	23550.37	PROP COIL	2
2	23550.32	SEAL KIT	1
3	9200076	CAP SCREW	4
4	23550.35	COIL NUT	2

23550.13 - VALVE



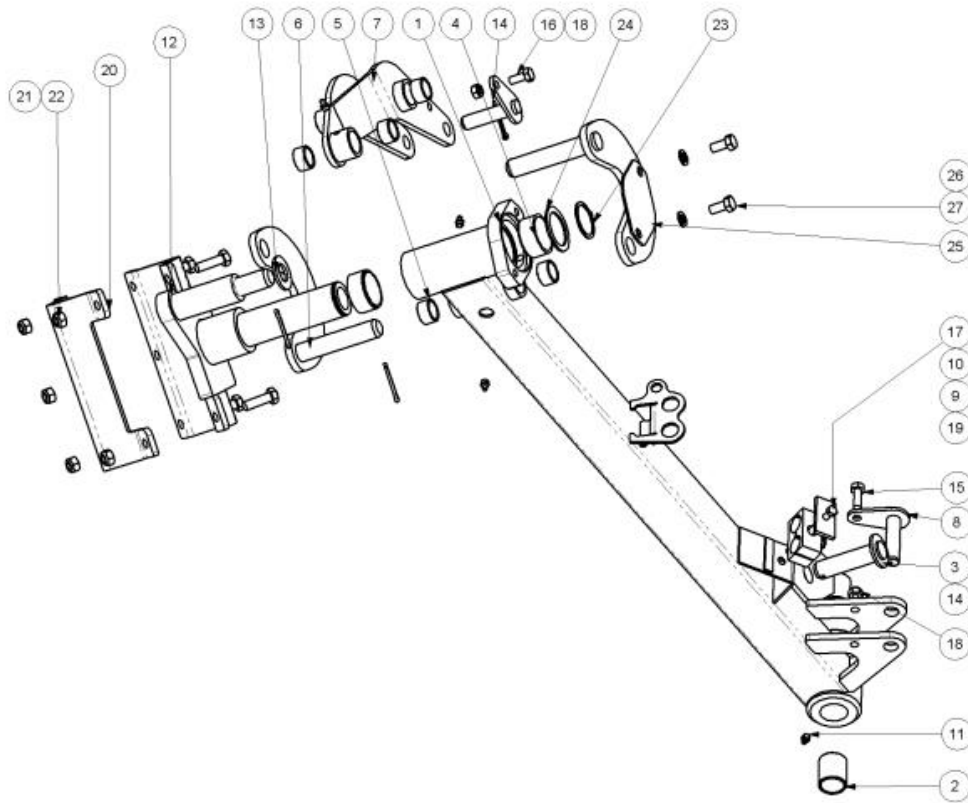
Ref	Part No	Description	QTY
1	23550.38	COIL	1
2	23550.34	SEAL KIT	1
3	9200077	CAP SCREW	4
4	23550.36	COIL NUT	1

23550.15 - DCV



Ref	Part No	Description	QTY
1	23550.38	COIL	1
2	23550.34	SEAL KIT	1
3	9200078	CAP SCREW	4
4	23550.36	COIL NUT	1

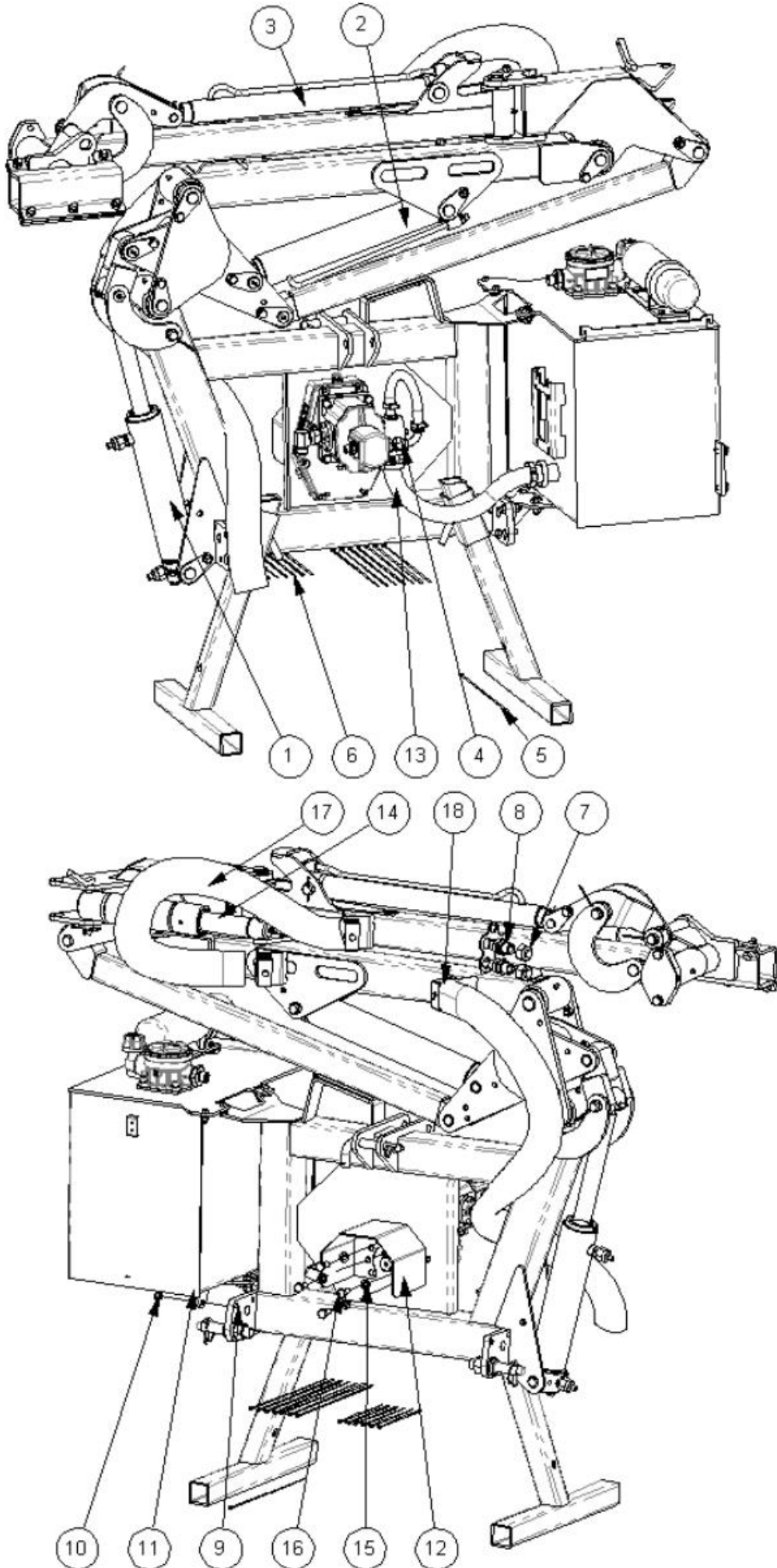
7435706 - DIPPER MODULE



Ref	Part No	Description	QTY
1	41202.09	W/A DIPPER ARM	1
2	21149.01	BUSH	2
3	7191041	PIN	1
4	1090001	BEARING	2
5	7214060	BUSH	6
6	21851.02	RADIUS ARM	2
7	21850.03	SLAVE LINK -LH	1
8	41270.01	PIN	2
9	06.430.09	CLAMP PAIR	1
10	06.418.03	PLATE	1
11	0901121	GREASER	5
12	21872.02	BRACKET -LH	1
13	0100109	WASHER	1
14	9501406	PIN	4
15	9313065	SCREW	1
16	9313055	SCREW	1
17	9213124	BOLT	1
18	9163005	NUT	2
19	9163004	NUT	1
20	21873.01	PLATE	1
21	9313086	SCREW	5

Ref	Part No	Description	QTY
22	9163006	NUT	5
23	0406247	CIRCLIP	1
24	1090037	WASHER	1
25	41261.44	PLATE	1
26	9100206	WASHER	2
27	9313056	SCREW	2

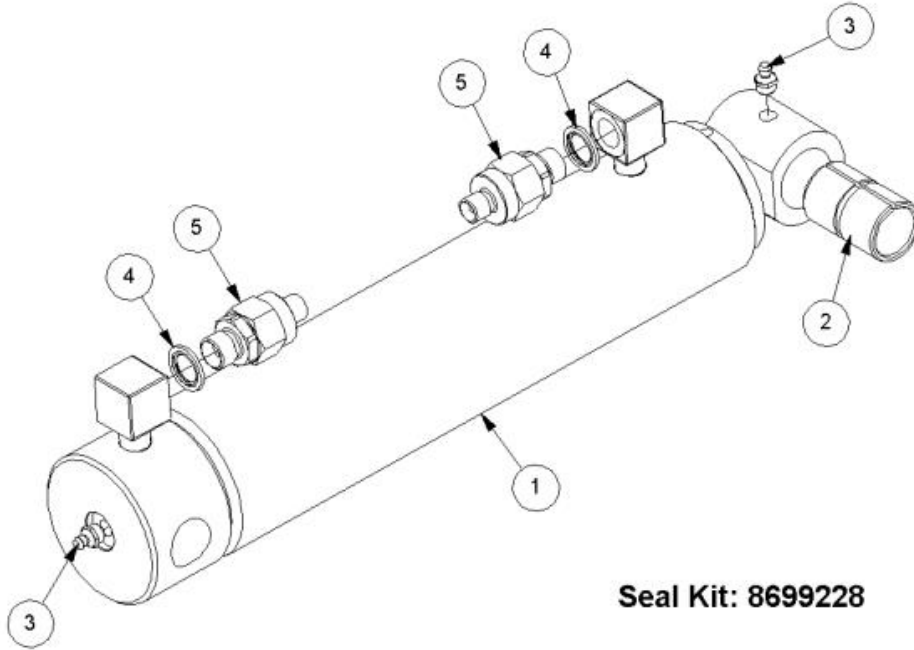
7435709 - HYD.INST.MODULE



Ref	Part No	Description	QTY
1	41014.23	RAM ASSY CW ADAPTERS	1
2	41015.03	RAM ASSY	1
3	21856.01	RAM	1
4	0904107	CLIP	4
5	7196045	HOSE TIE	8
6	7135084	HOSE TIE	6
7	G3812119	ADAPTOR	2
8	08.128.16	ADAPTOR	2
9	9213085	BOLT	3
10	9163005	NUT	3
11	21854.01	TANK BRACKET	1
12	21855.01	GUARD	1
13	8501447	HOSE	1
14	41322.02	RAM	1
15	9100206	WASHER	4
16	9313056	SCREW	4
17	22591.20	HOSE SLEEVING	1
18	22591.23	HOSE SLEEVING	1

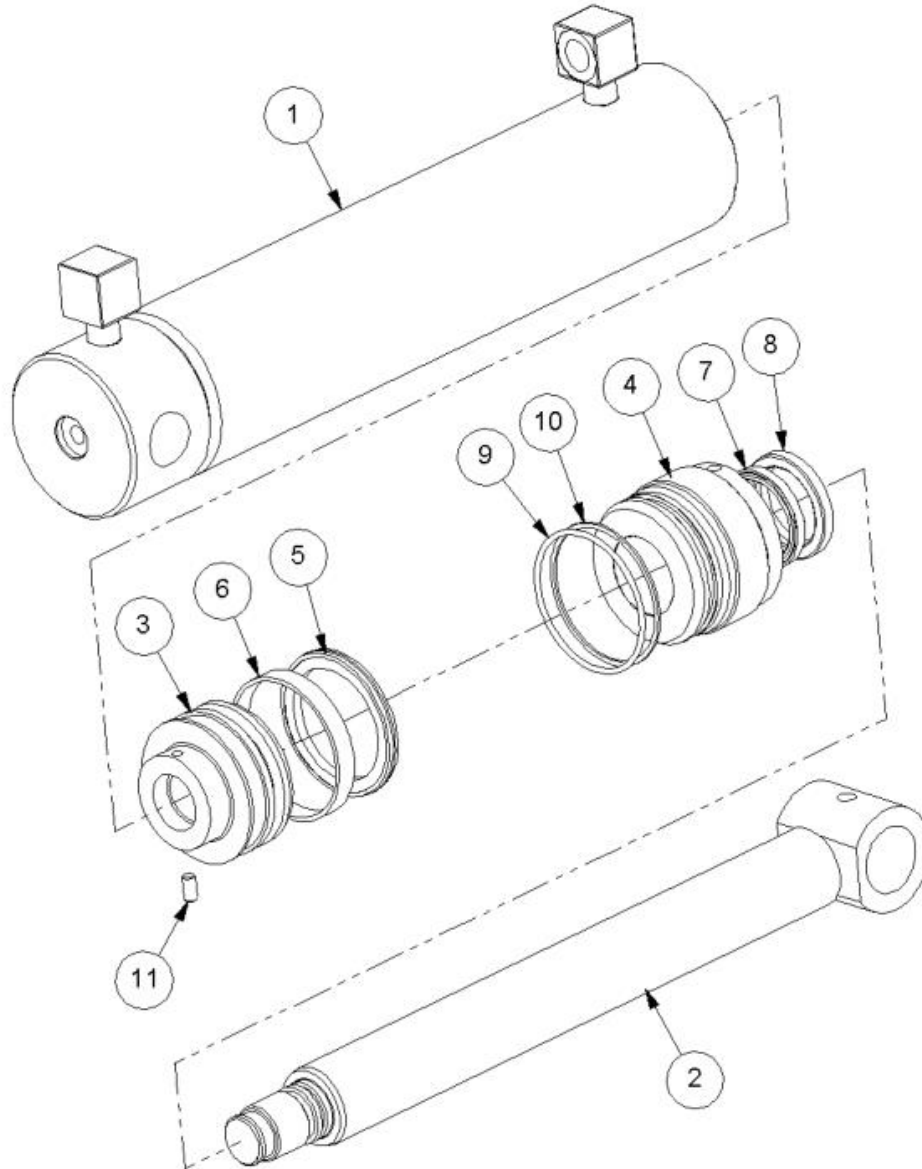
41014.23 - RAM ASSY CW

ADAPTERS



Ref	Part No	Description	QTY
1	41014.23AP	70 BORE RAM ASSY-PURCHASED	1
1	41014.23P	70 BORE RAM - PAINTED	0
1	8699228	SEAL KIT	0
2	7105050	BUSH	1
3	0901121	GREASER	2
4	8650103	SEAL	2
5	8123107	RESTRICTOR	2

41014.23AP - 70 BORE RAM ASSY- PURCHASED



Ref	Part No	Description	QTY
1	41034.21	RAM BARREL W.A.	1
2	41035.04	PISTON ROD	1
3	7120383	PISTON	1
4	7120384	HOUSING	1
5	8629189	SEAL	1
6	8629190	SEAL	1
7	8629164	SEAL	1
8	8629147	SEAL	1
9	8600429	"O" RING	1
10	8609429	ANTI-EXT.RING	1

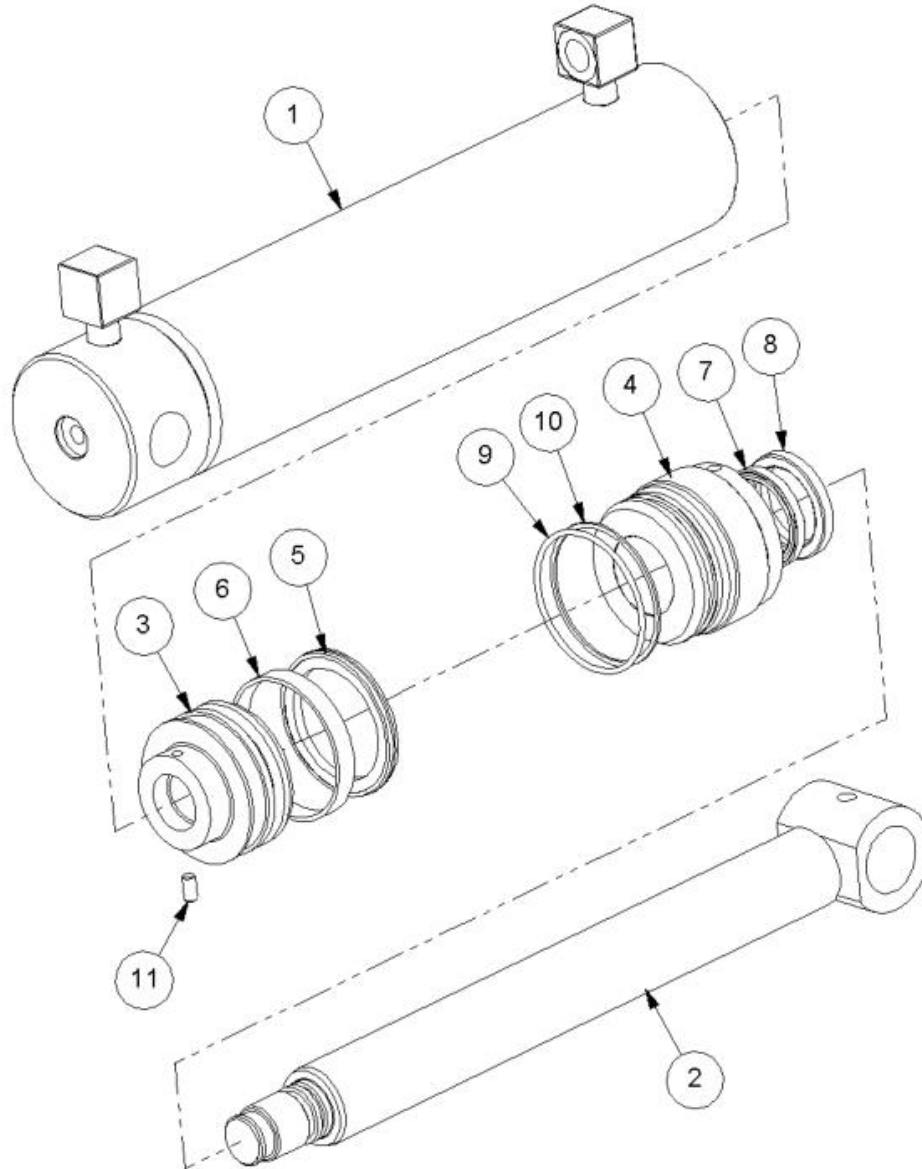
Ref	Part No	Description	QTY
11	9363023	SCREW	1

41014.23P - 70 BORE RAM - PAINTED

No Picture
Available

Ref	Part No	Description	QTY
1	41014.23AP	70 BORE RAM ASSY-PURCHASED	1

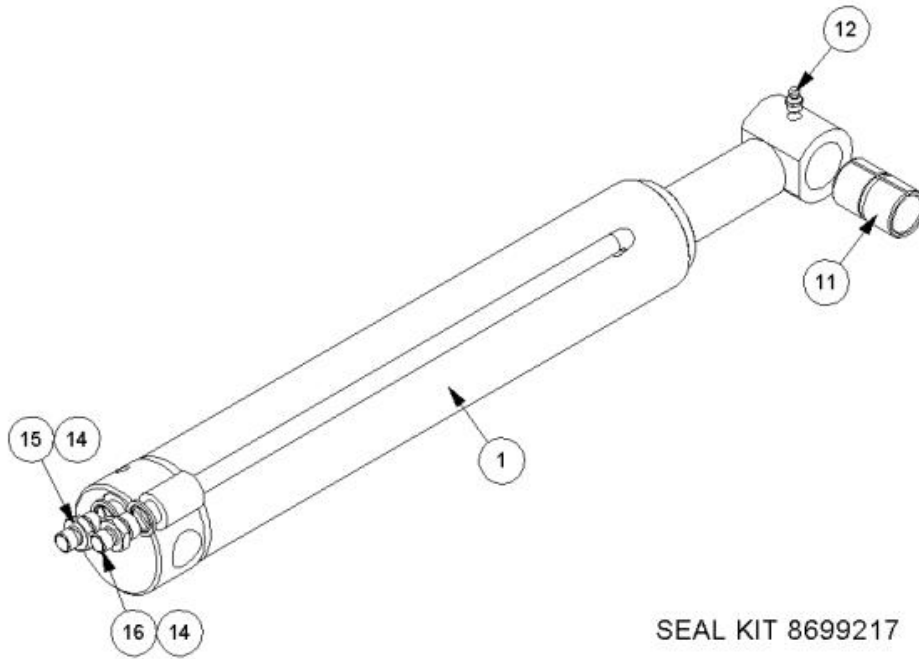
41014.23AP - 70 BORE RAM ASSY- PURCHASED



Ref	Part No	Description	QTY
1	41034.21	RAM BARREL W.A.	1
2	41035.04	PISTON ROD	1
3	7120383	PISTON	1
4	7120384	HOUSING	1
5	8629189	SEAL	1
6	8629190	SEAL	1
7	8629164	SEAL	1
8	8629147	SEAL	1
9	8600429	"O" RING	1
10	8609429	ANTI.EXT.RING	1

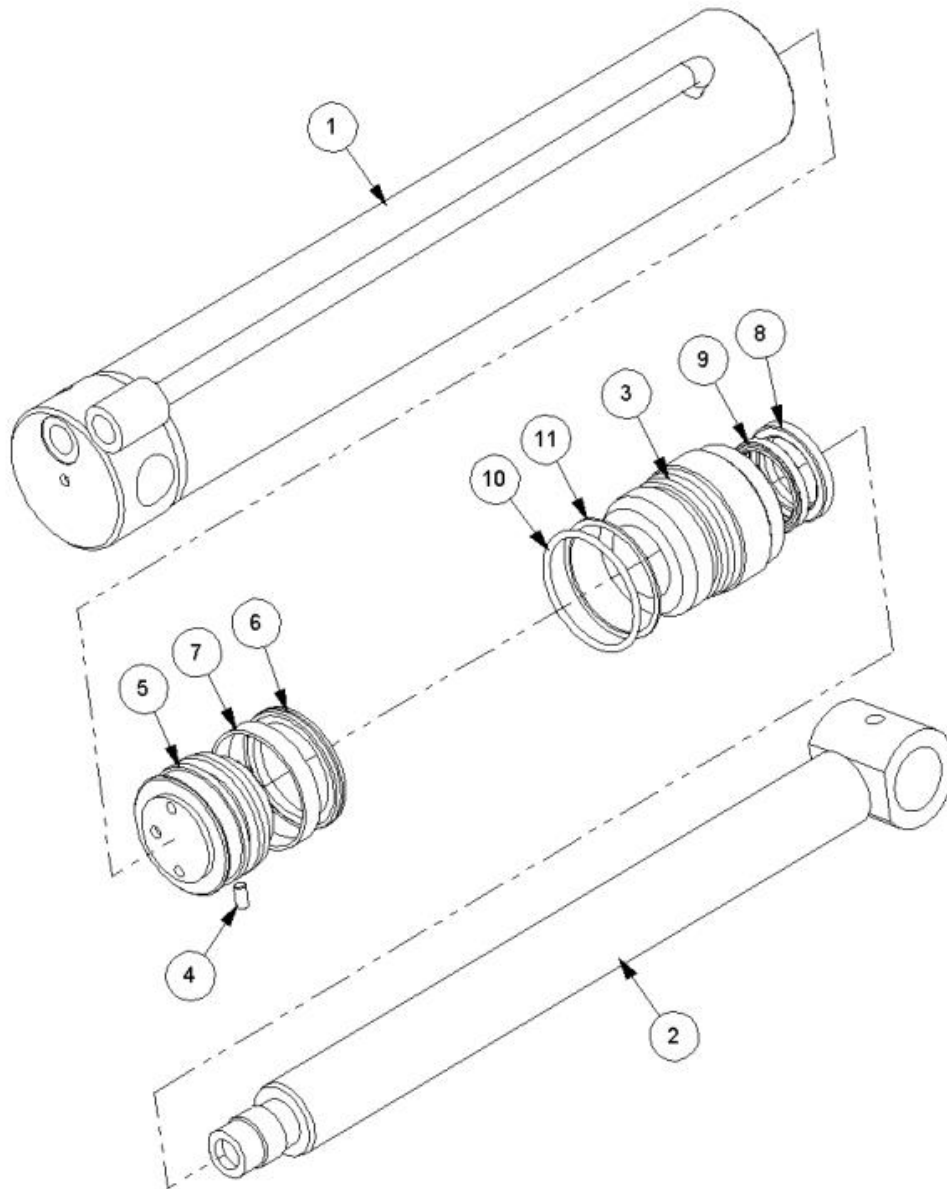
Ref	Part No	Description	QTY
11	9363023	SCREW	1

41015.03 - RAM ASSY



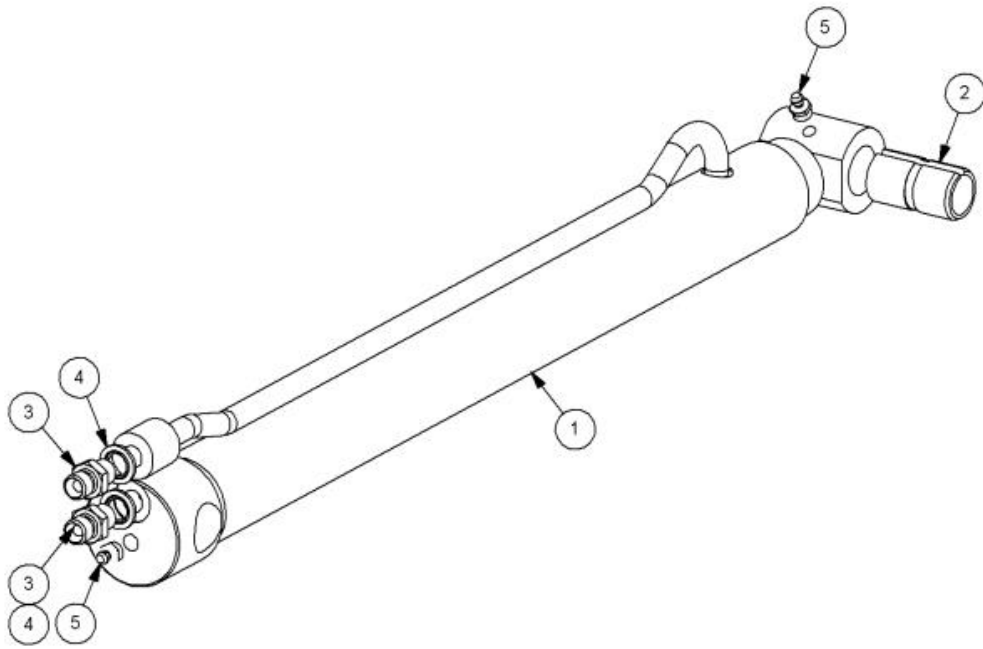
Ref	Part No	Description	QTY
1	41015.03AP	RAM ASSY	1
1	41015.03P	RAM -PAINTED	0
7	8699217	SEAL KIT	0
11	7105050	BUSH	1
12	0901121	GREASER	1
14	8650103	SEAL	2
15	8130046	RESTRICTOR	1
16	8130066	RESTRICTOR	1

41015.03AP - RAM ASSY



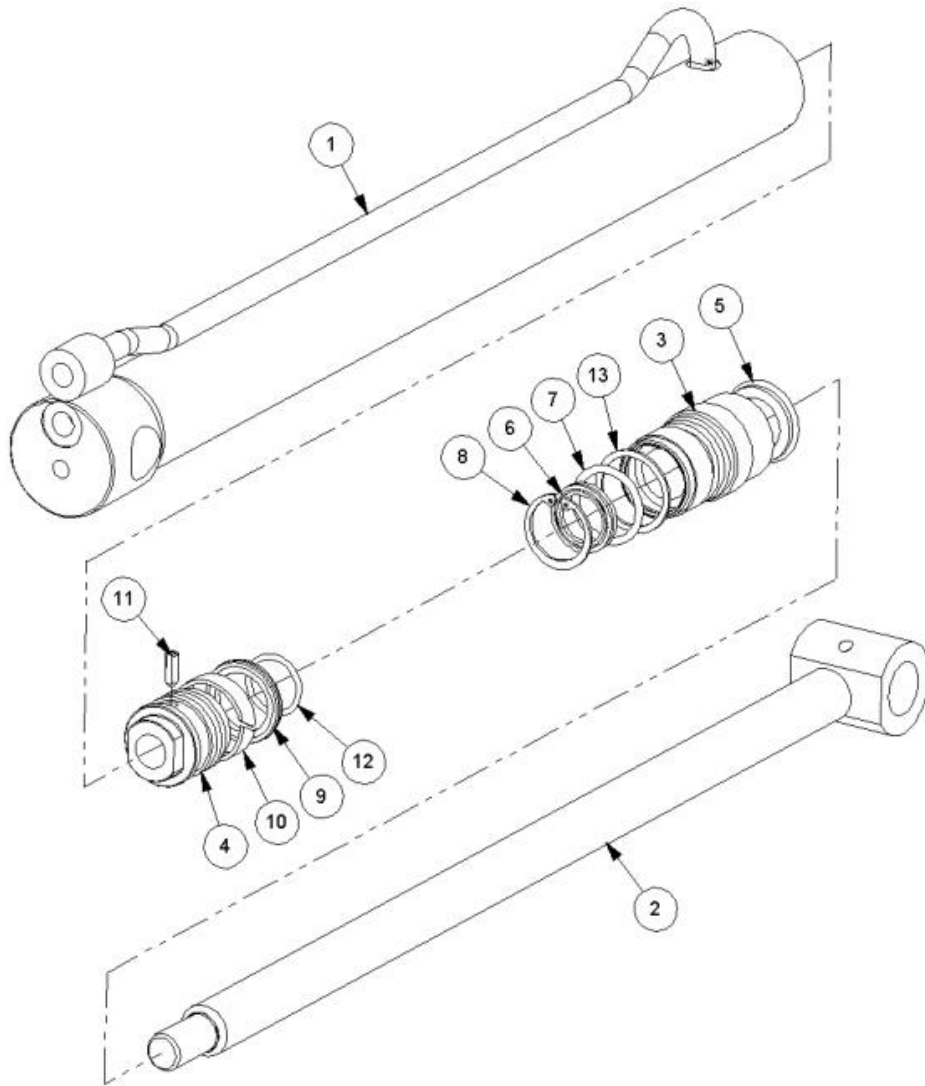
Ref	Part No	Description	QTY
1	41036.01	BARREL	1
2	41037.01	PISTON ROD	1
3	1186512	HOUSING	1
4	9363023	SCREW	1
5	7120368	PISTON	1
6	8629156	SEAL	1
7	8629157	GUIDE RING	1
8	8629147	SEAL	1
9	8629164	SEAL	1
10	8600306	O-RING	1
11	8609306	ANTI.EXT.RING	1

21856.01 - RAM



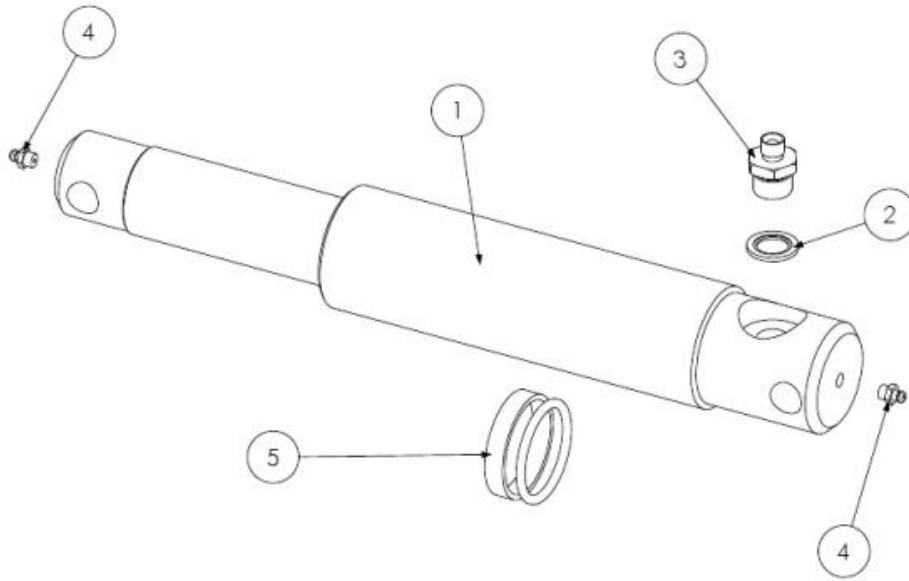
Ref	Part No	Description	QTY
1	21856.01AP	ANGLE	1
1	21856.01P	PAINTED RAM	0
1	21856.02	SEAL KIT	0
2	1130002	BUSH	1
3	8130037	RESTRICTOR	2
4	8650102	SEAL	2
5	0901121	GREASER	2

21856.01AP - ANGLE



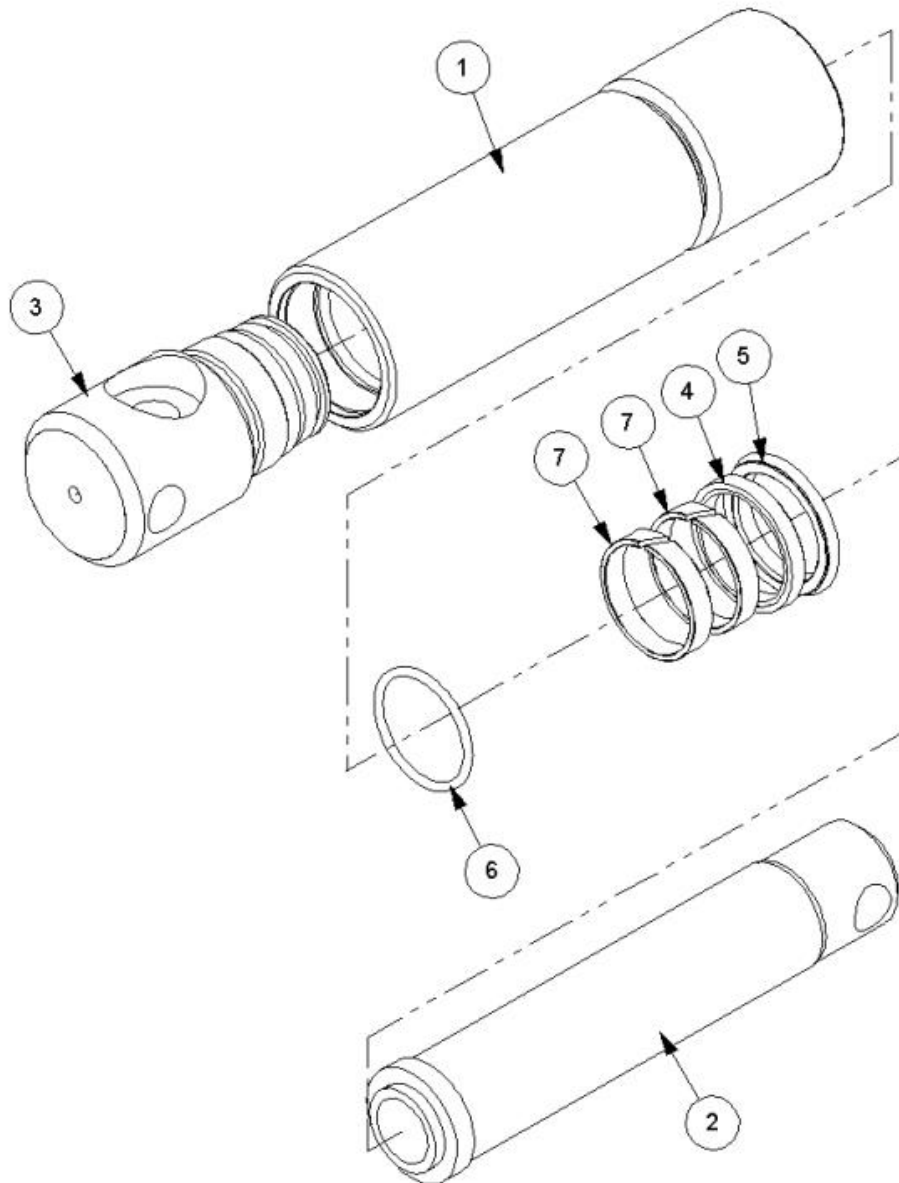
Ref	Part No	Description	QTY
1	21859.01	RAM BARREL	1
2	21857.01	PISTON ROD	1
3	1090273	HOUSING	1
4	21858.01	PISTON	1
5	8129161	SCRAPER RING	1
6	8629162	SEAL	1
7	8600124	O-RING	1
8	0411234	CIRCLIP	1
9	8629240	PISTON SEAL	1
10	8629241	WEAR RING	1
11	42775.03	DOWEL	1
12	8600120	O RING	1
13	8609124	AE RING	1

41322.02 - RAM



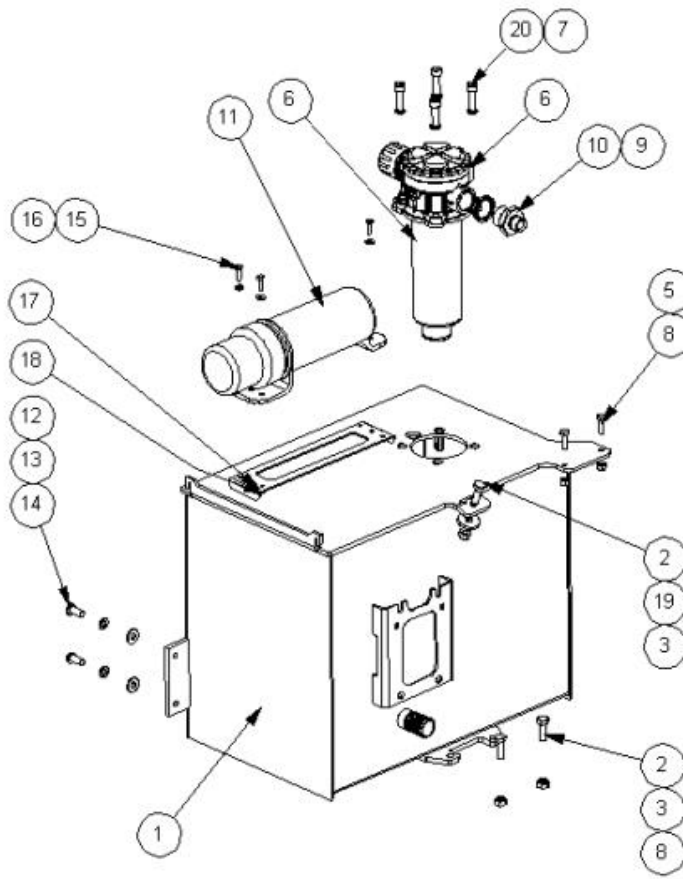
Ref	Part No	Description	QTY
1	7198292AP	RAM	1
1	7198292P	RAM -PAINTED	0
2	8650104	SEAL	1
3	8130083	BODY	1
4	8130189	VALVE	1
5	8116011	SPRING	1
6	0901121	GREASER	2

7198292AP - RAM



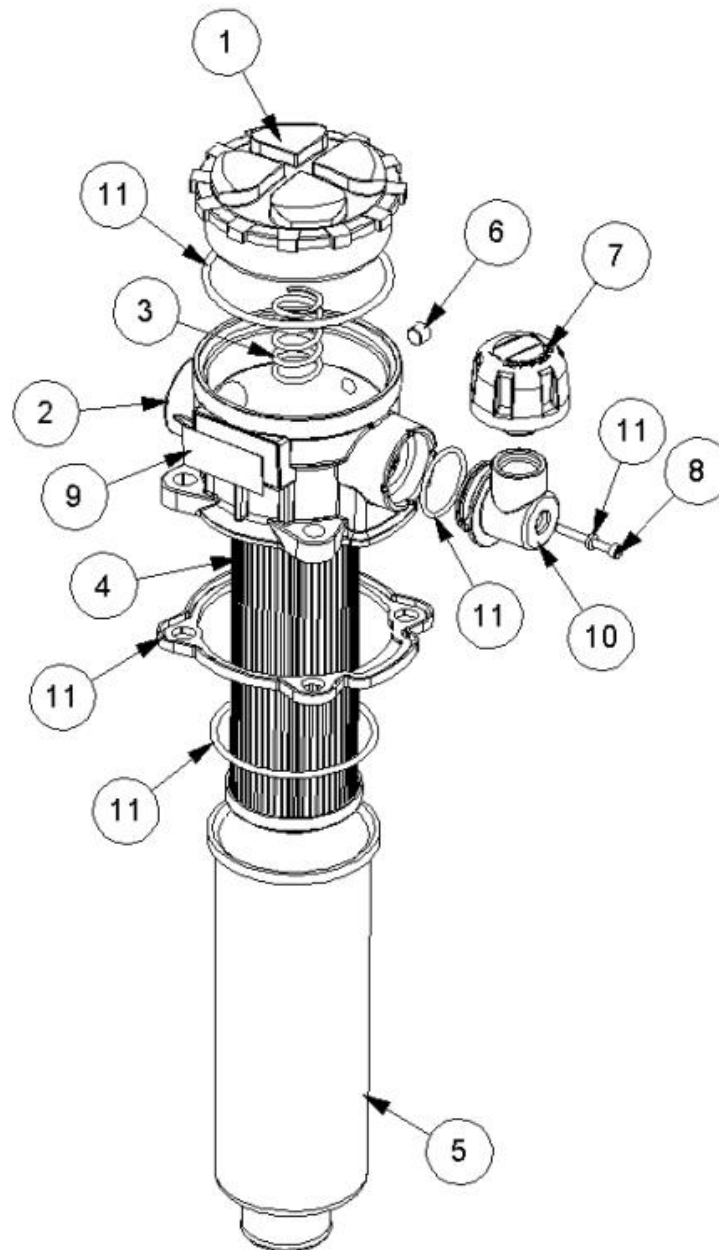
Ref	Part No	Description	QTY
1	7191051	PISTON ROD	1
2	7191051	PISTON ROD	1
3	7191299	PLUG	1
4	8629158	SEAL	1
5	8629152	SEAL	1
6	8600302	"O" RING	1
7	8629273	ROD BEARING	2

7435712 - TANK MOD.PA3530 RH



Ref	Part No	Description	QTY
1	41196.11	TANK	1
2	9313065	SCREW	3
3	9163005	NUT	3
5	9163004	NUT	2
6	8401168	FILTER	1
7	8650310	SEAL	4
8	9313054	SCREW	4
9	8650108	SEAL	1
10	8581378	ADAPTOR	1
11	46505.01	HOLDER	1
12	9100105	WASHER	2
13	9100205	WASHER	2
14	9300154	SCREW	2
15	9313043	SCREW	3
16	9100103	WASHER	3
17	9100203	WASHER	3
18	9113003	NUT	3
19	7198035	WASHER	1
20	9343065	CAPSCREW	4

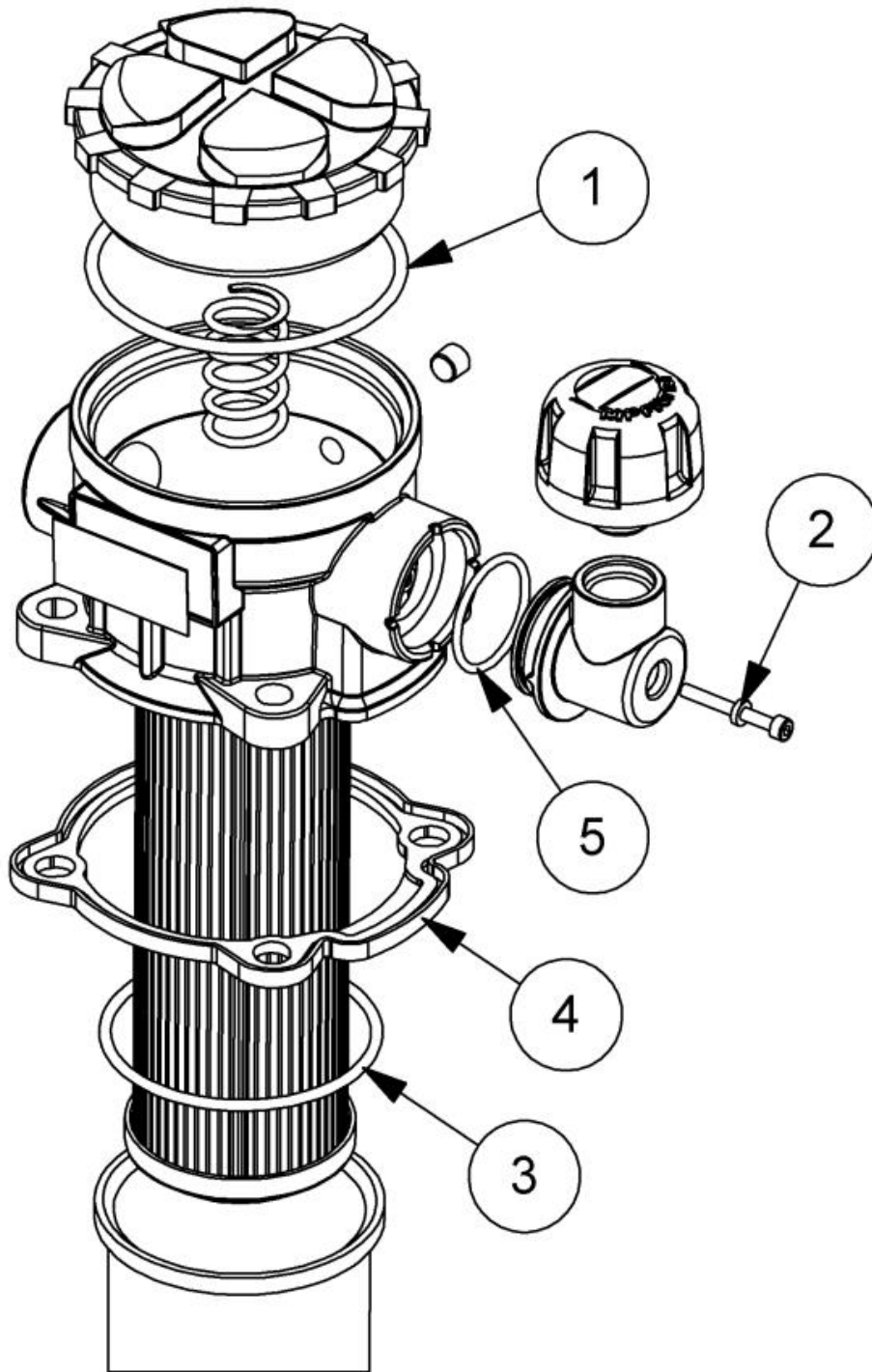
8401168 - FILTER



Ref	Part No	Description	QTY
1	212.013.04	FILLER CAP	1
2	8401187	HOUSING	1
3	8401158	FILTER SPRING	1
4	8401164	USE 8401095	1
5	8401165	FILTER BOWL	1
6	8401166	FILTER GRUB SCREW	1
7	8401182	BREATHER CAP+FILTER	1
8	8401184	CAP SCREW	1
9	8401167	IDENTIFICATION PLATE	1

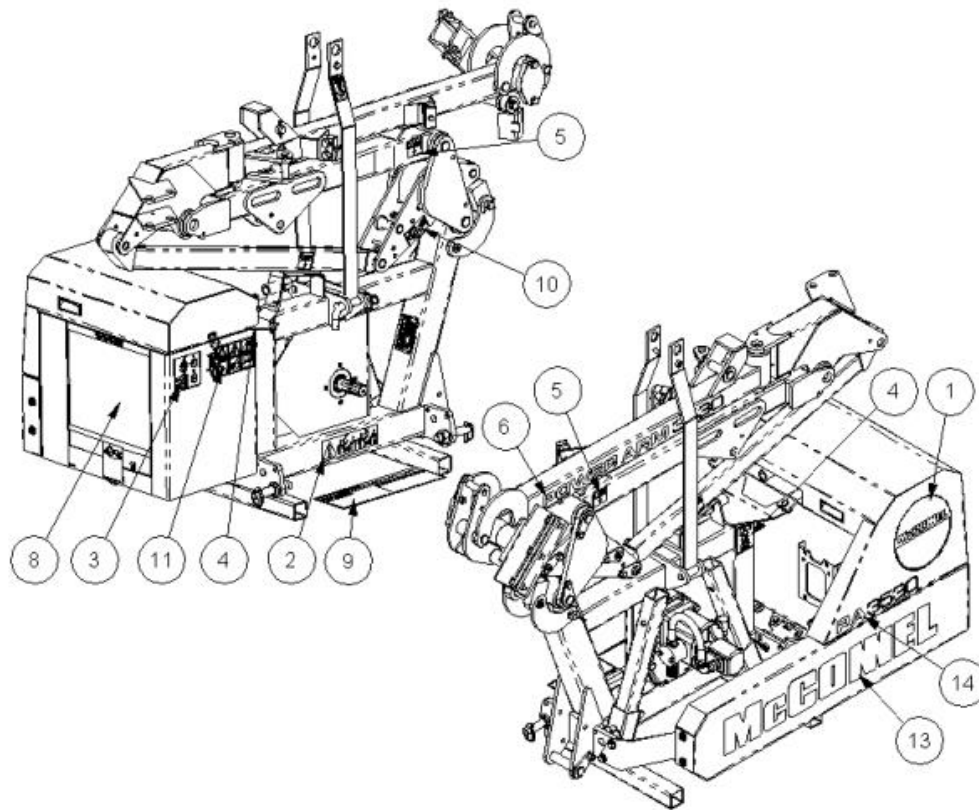
Ref	Part No	Description	QTY
10	8401183	ELBOW	1
11	8699294	FILTER SEAL KIT	0

8699294 - FILTER SEAL KIT



Ref	Part No	Description	QTY
1	8700092	O RING	1
2	8401186	CAP SCREW SEAL	1
3	8700235	O RING	1
4	8401188	SEAL NOT AVAILABLE USE 8699294	1
5	8401185	ORING SEAL	1

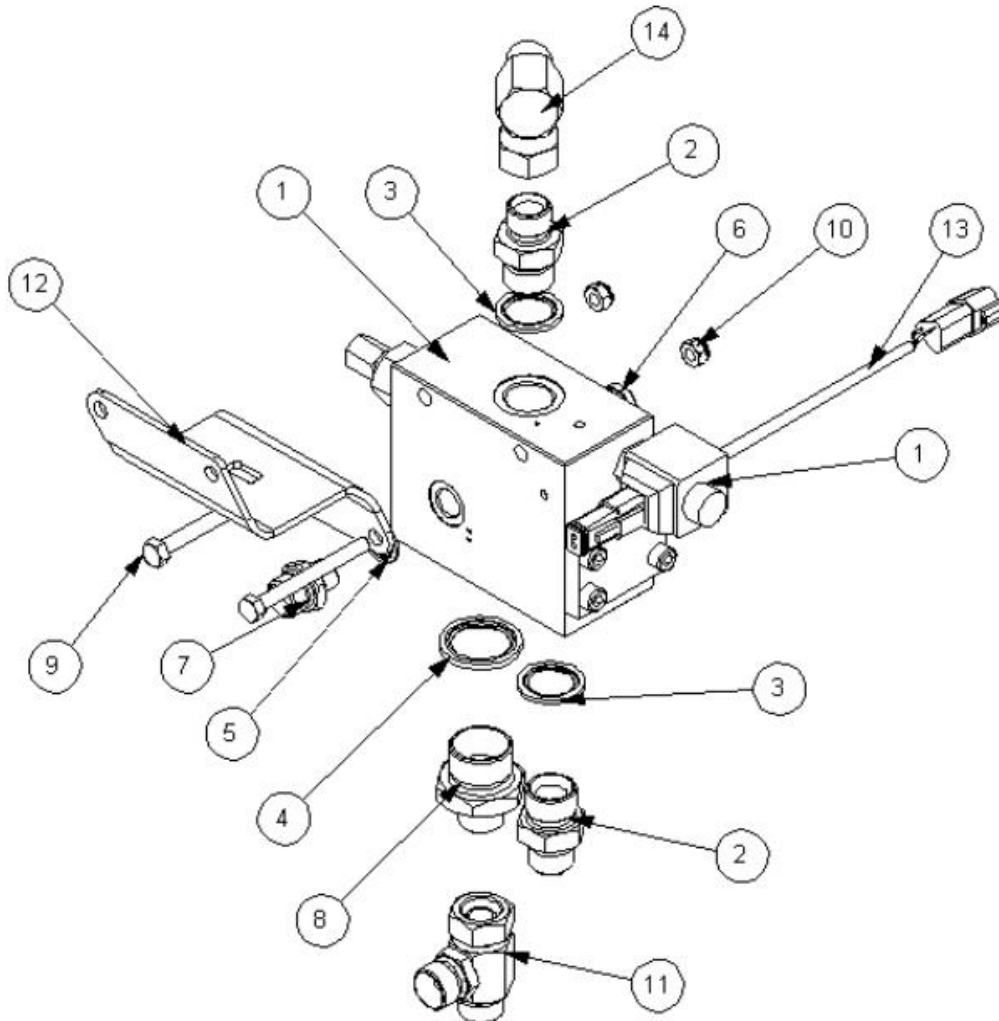
7435717 - DECAL KIT



Ref	Part No	Description	QTY
1	1290829	DECAL	1
1	23832.01	DECAL-540 PTO MAX CW	1
2	7135295	DECAL	1
3	1290774	DECAL	1
5	02962764	DECAL	4
6	1290950	DECAL	1
8	1290391	DECAL	1
9	1290352	DECAL	1
10	1290746	DECAL	1
11	09.821.34	DECAL	1
13	1290527	DECAL	1
14	1290951	DECAL	1

7435721 - RCV ASSY ELEC PA3530

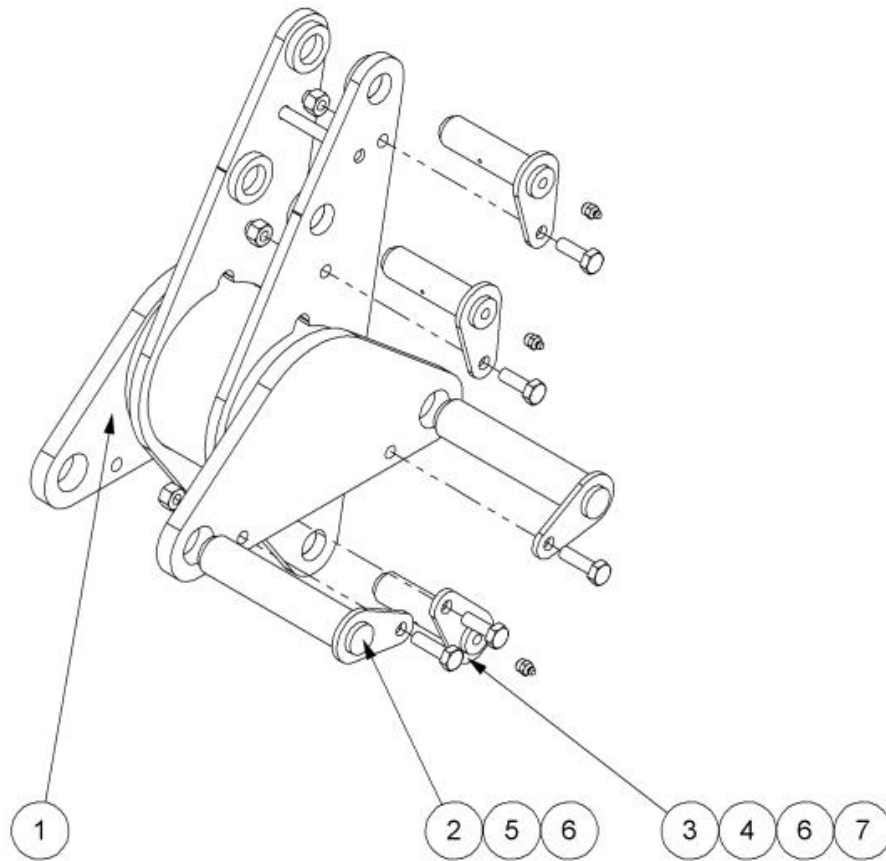
LH FM



Ref	Part No	Description	QTY
1	23741.01	RELIEF VALVE / DIVERTER	1
2	8581270	ADAPTOR	2
3	8650106	SEAL	2
4	8650108	SEAL	1
5	8650103	SEAL	1
6	8581436	ADAPTOR	1
7	6000112	ADAPTOR	1
8	8581378	ADAPTOR	1
9	9213164	BOLT	2
10	9163004	NUT	2
11	8581460	ADAPTOR	1
12	21476.05	LH RCV BRACKET	1
13	41844.57	RCV LOOM ON/OFF DT	1
14	8581338	ADAPTOR	1

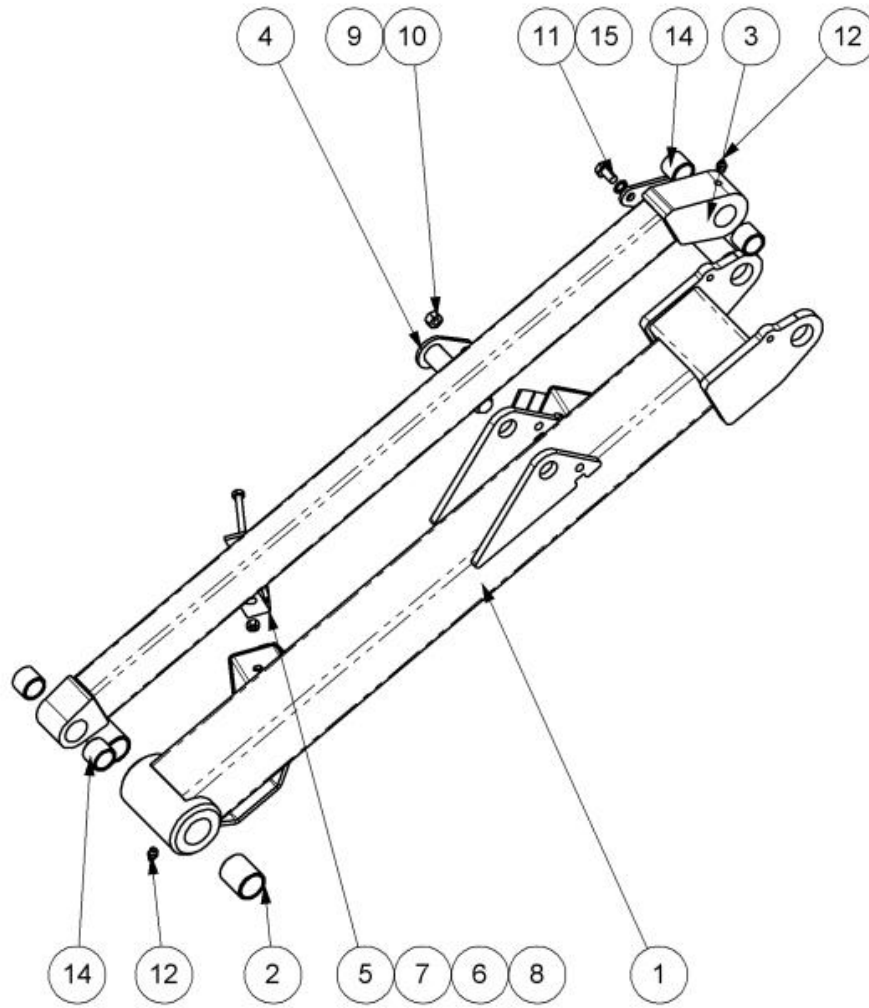
Ref	Part No	Description	QTY
14	1335246	SERIAL No. PLATE	1
15	7103230	RIVET	4
16	21851.01	RADIUS ARM	2
17	21850.01C	SLAVE LINK	1
18	7101083	BUSH	4
19	9353043	SCREW	2
20	9501406	PIN	2
21	0431217	LINCH PIN	2
22	9163003	NUT	2

7490602 - ROCKER MODULE



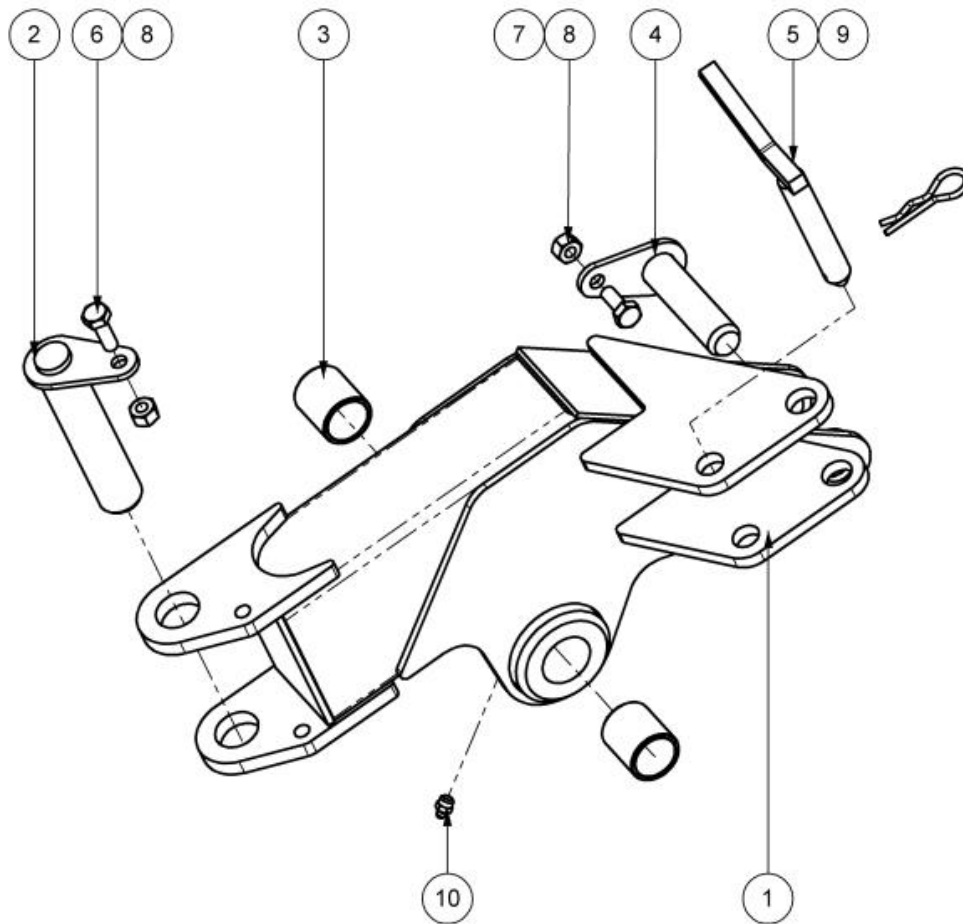
Ref	Part No	Description	QTY
1	41198.04	ROCKER	1
2	41268.01	PIN	2
3	41691.03	PIN	3
4	9313065	SCREW	3
5	9313075	SCREW	2
6	9163005	NUT	5
7	0901121	GREASER	3

7490604 - MAIN ARM MODULE



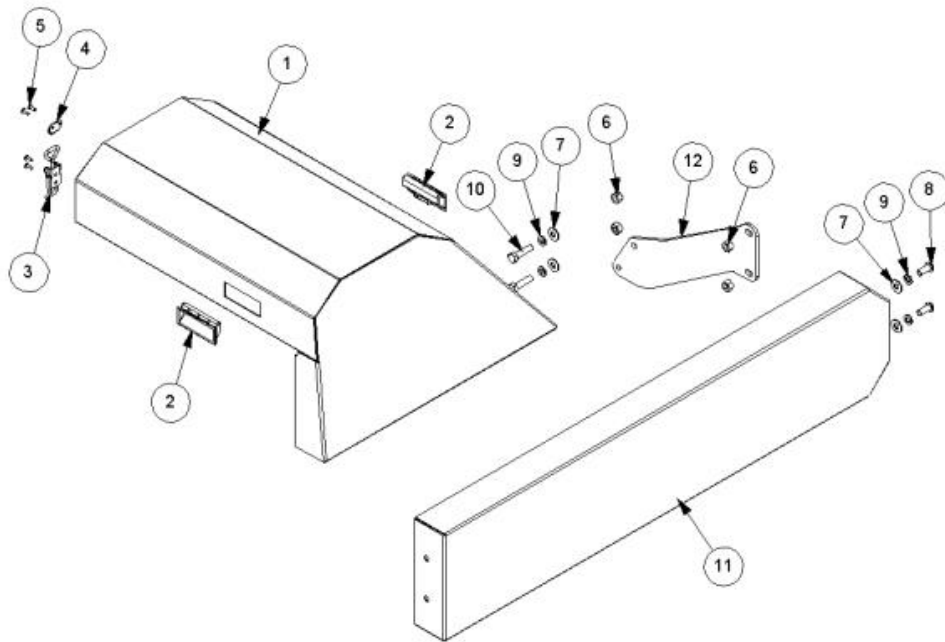
Ref	Part No	Description	QTY
1	41199.08	PA35 BOBCAT MAINARM	1
2	21149.01	BUSH	2
3	41268.01	PIN	1
4	41267.04	PIN	1
5	06.430.09	CLAMP PAIR	2
6	06.418.03	PLATE	2
7	9213134	BOLT	2
8	9163004	NUT	2
9	9313065	SCREW	1
10	9163005	NUT	1
11	9313045	SCREW	1
12	0901121	GREASER	2
13	41200.03	TENSION LINK	1
14	7101083	BUSH	4
15	9100405	WASHER	1

7490606 - DIPPER MODULE



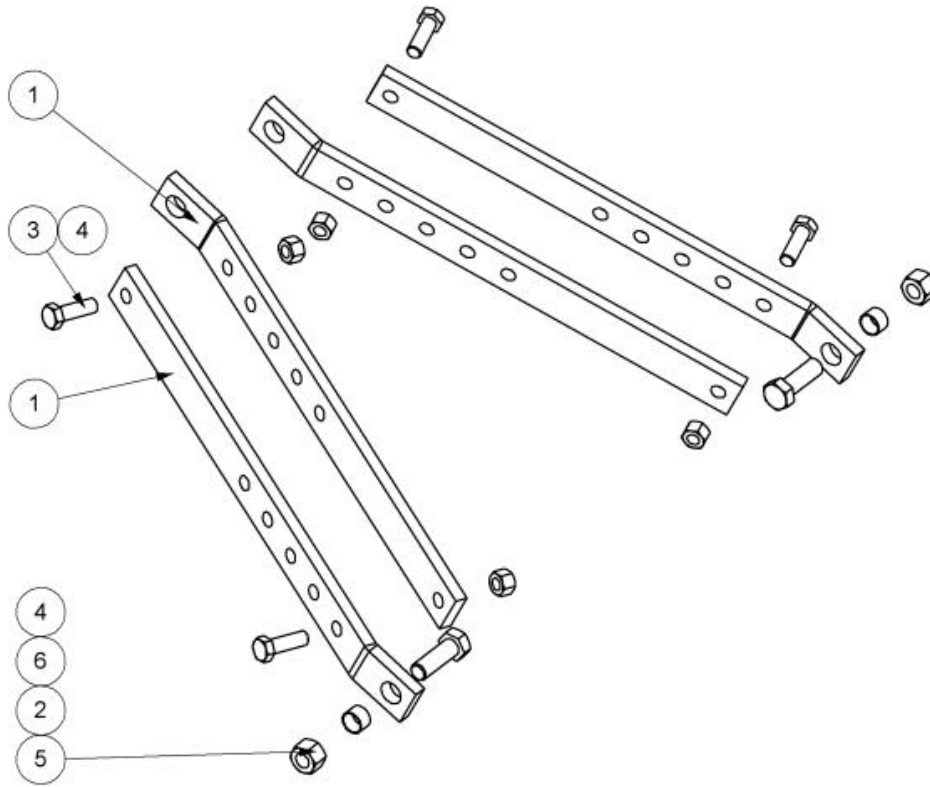
Ref	Part No	Description	QTY
1	41201.06	DIPPER W/A	1
2	41268.03	PIN	1
3	21149.01	BUSH	2
4	41267.03	PIN	1
5	7191036	PIN	1
6	9313065	SCREW	1
7	9313055	SCREW	1
8	9163005	NUT	2
9	0431105	PIN	1
10	0901121	GREASER	1

7490642 - COVERS MODULE



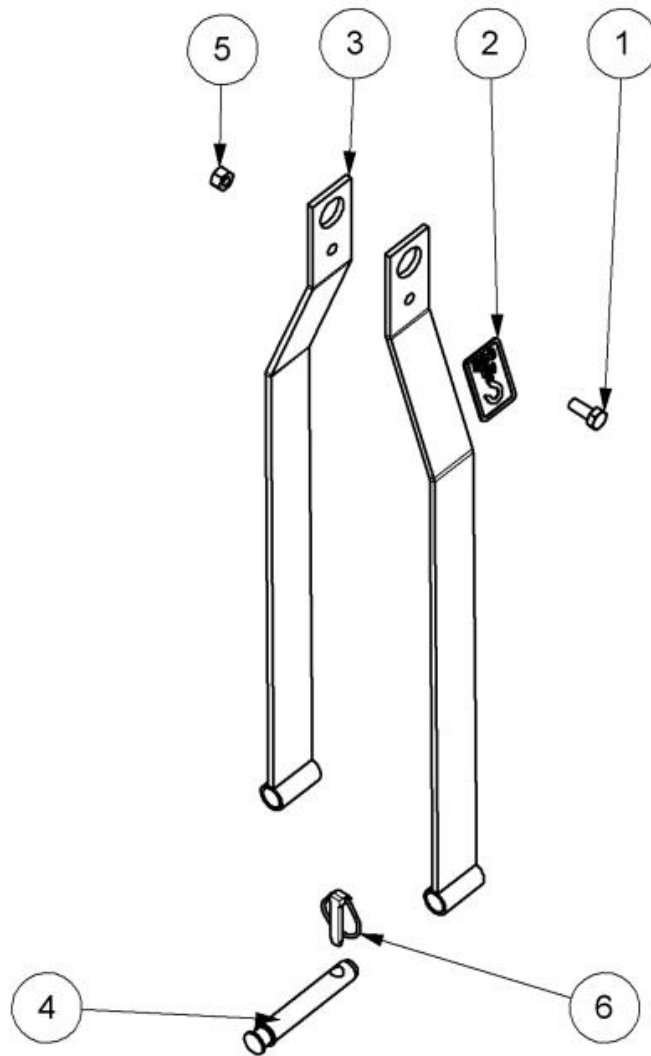
Ref	Part No	Description	QTY
1	22661.01	W/ASSY RH COVER	1
2	22547.01	DRAWER PULL	2
3	43449.02	FASTENER	1
4	46007.01	HOOK	1
5	1069088	RIVET	4
6	9163005	NUT	4
7	9100105	WASHER	4
8	9300154	SCREW	2
9	9100205	WASHER	4
10	9313085	SCREW	2
11	22661.35	COVER PLATE	1
12	22661.41	SUPPORT PLATE	1

7490769 - STABILIZER MODULE



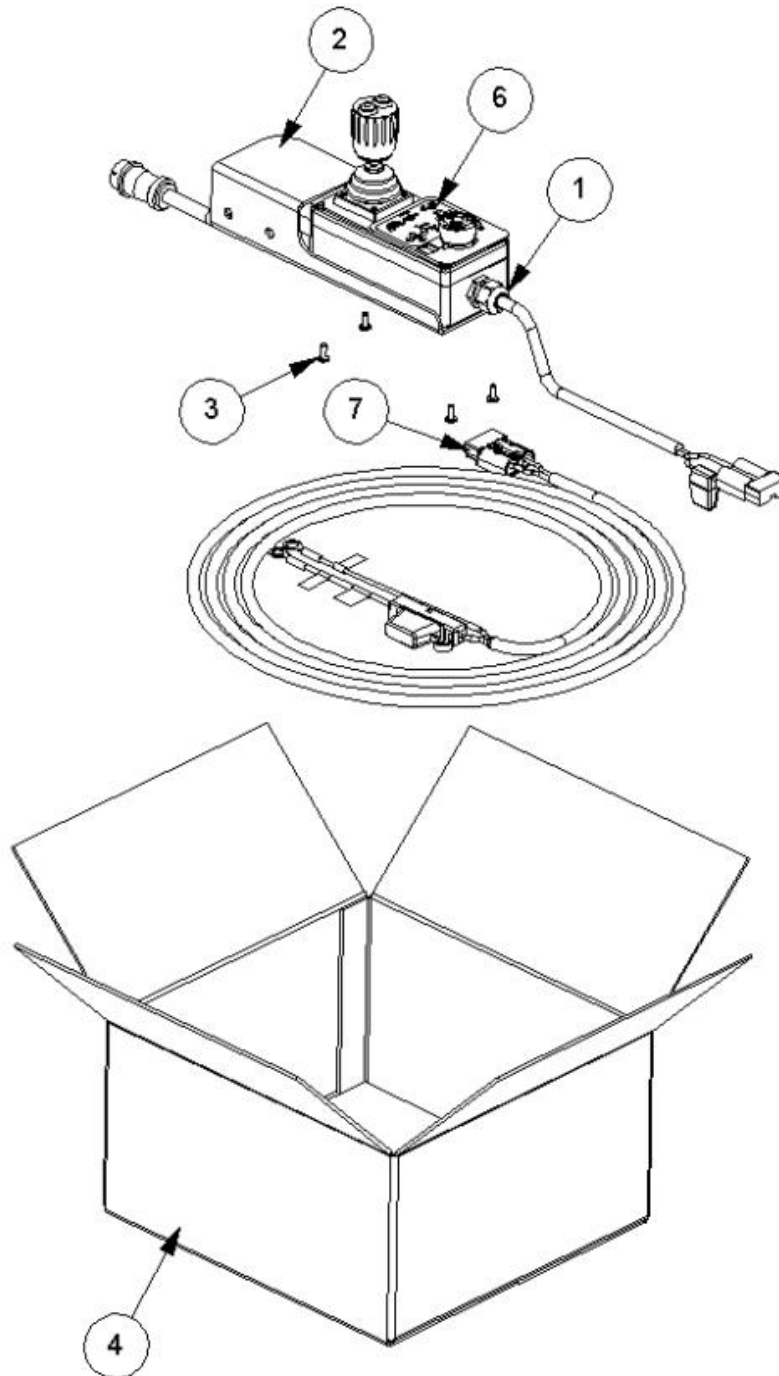
Ref	Part No	Description	QTY
1	42366.04	STABILIZER	4
2	21914.01	SPACER	2
3	9213107	BOLT	4
4	9163007	NUT	4
5	9163008	NUT	2
6	9213128	BOLT	2

7490799 - PACKING MODULE



Ref	Part No	Description	QTY
1	9313055	SCREW	1
2	09.843.03	DECAL	1
3	22025.01	LIFT STRAP PA35	2
4	T1657	PIN - LINKAGE	1
5	9163005	NUT	1
6	0431217	LINCH PIN	1

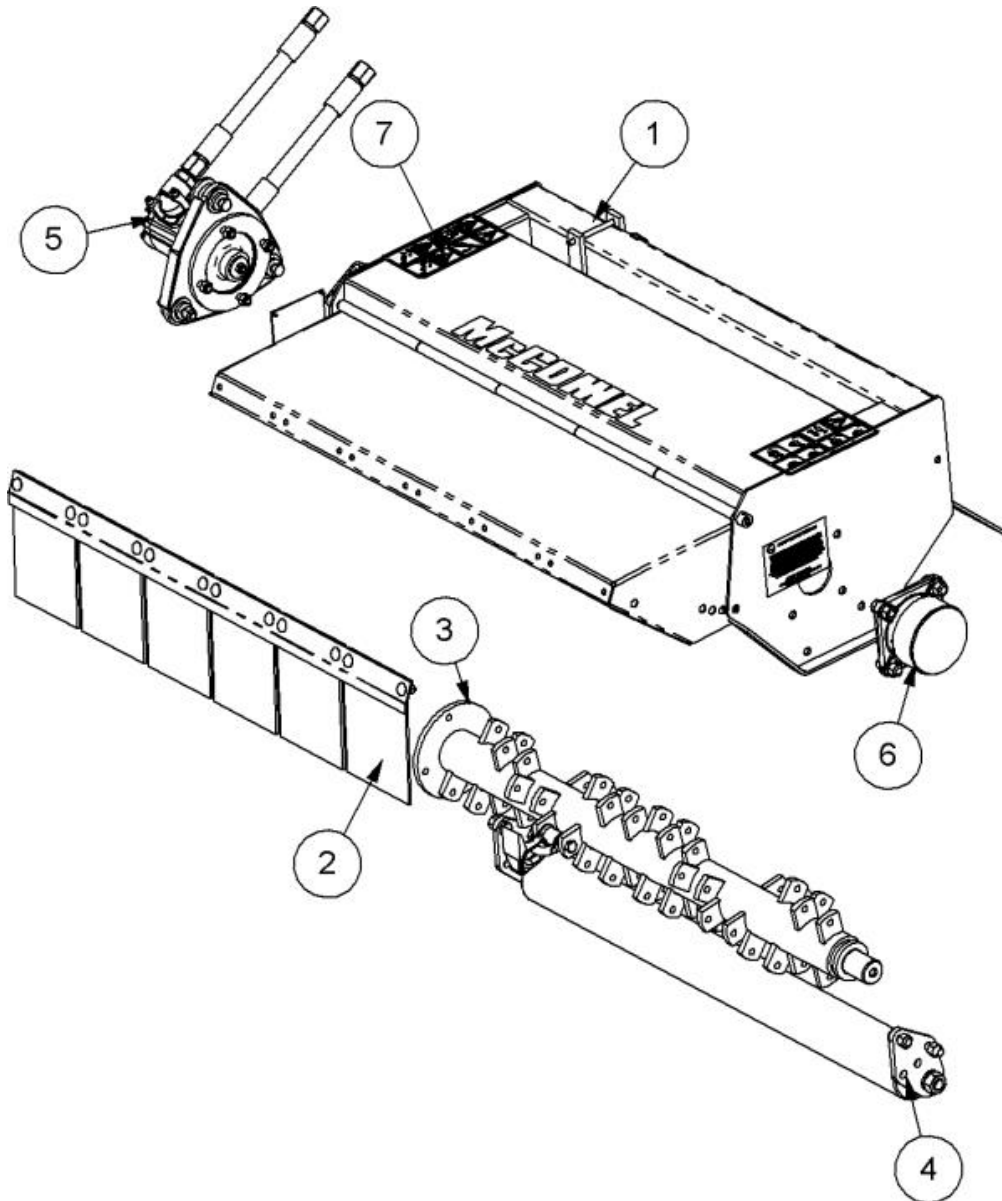
8402919 - MINI XTC KIT



Ref	Part No	Description	QTY
1	23880.11	MINI CONTROLS	1
2	42442.04	MINI MOTION CONTROLS BRACKET	1
3	2800243	SCREW	4
4	8402701	BOX	1
5	1290717	DECAL	1
6	1291169	OPERATIONAL DECAL	1
7	8402237	LOOM	1

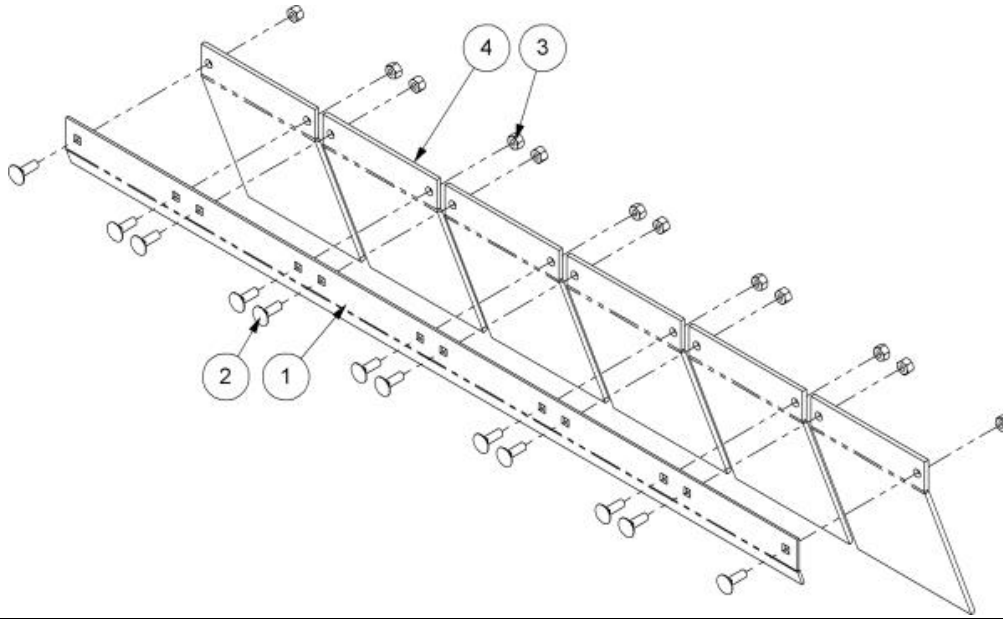
ATTACHMENTS

7490863 - 0.9M (SLIDING PIVOT) -



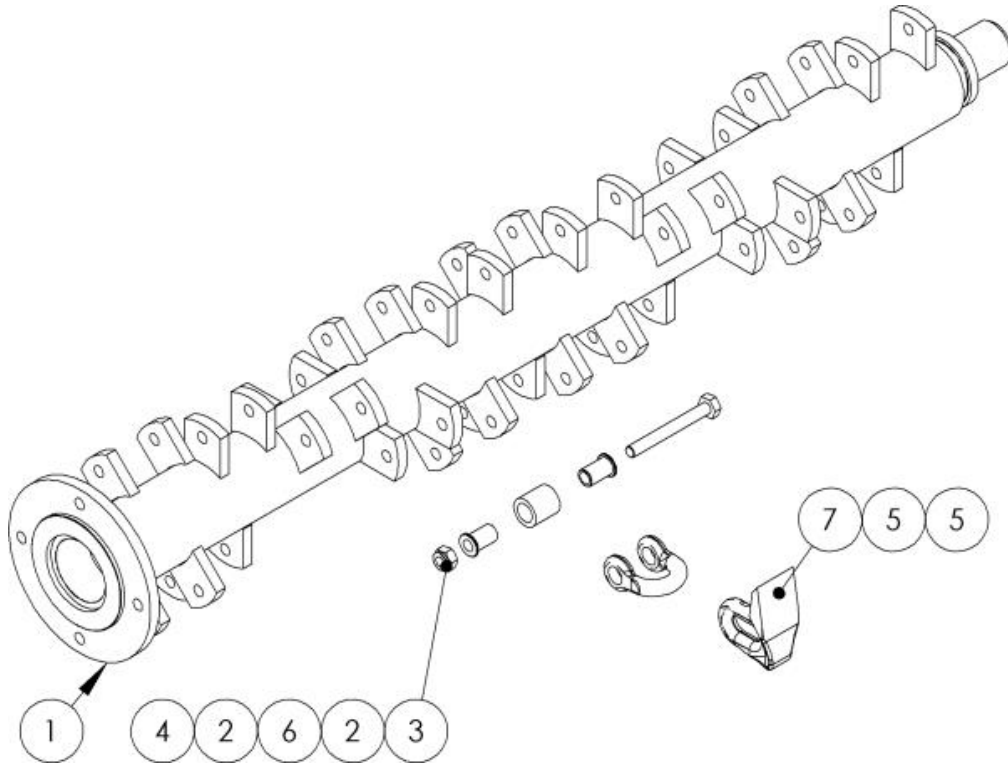
Ref	Part No	Description	QTY
1	22494.29	CASING MODULE	1
2	21541.22	FLAP MODULE	1
3	21959.08	ROTOR MODULE	1
4	21961.03	ROLLER MODULE	1
5	22495.32	MOTOR MODULE	1
6	22498.08	DRIVE MODULE	1
7	73507.10	STICKER MODULE	1

21541.22 - FLAP MODULE



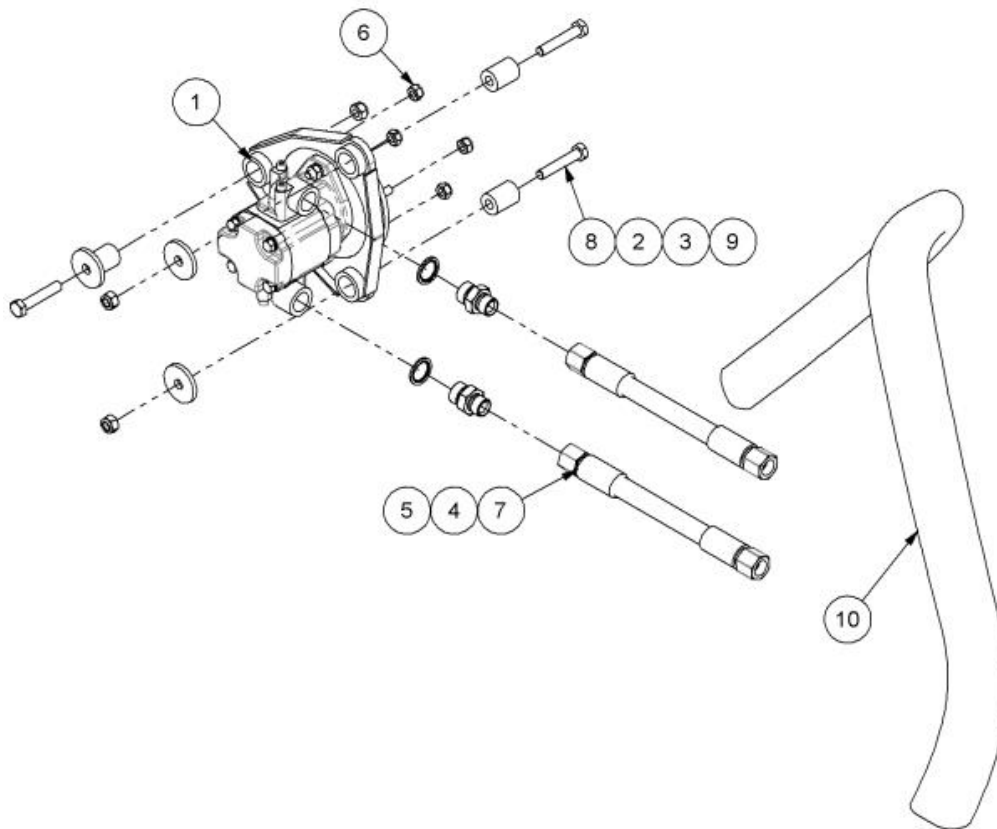
Ref	Part No	Description	QTY
1	41291.01	CLAMP STRIP -F	1
2	9293054	BOLT	12
3	9163004	NUT	12
4	41296.01	FLAP	6

21959.08 - ROTOR MODULE



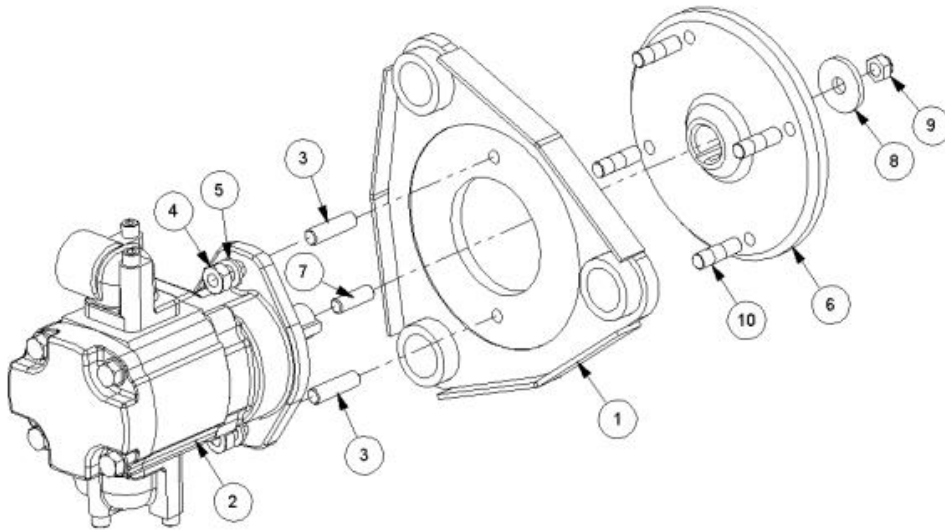
Ref	Part No	Description	QTY
1	41284.03	ROTOR WDMT	1
2	02.801.01	COLLAR	48
3	05.968.02	NUT	24
4	05.775.02	BOLT	24
5	05.895.01	SHACKLE	24
6	02.807.01	SPACER	24
7	7190463	FLAIL - BOOT	24

22495.32 - MOTOR MODULE



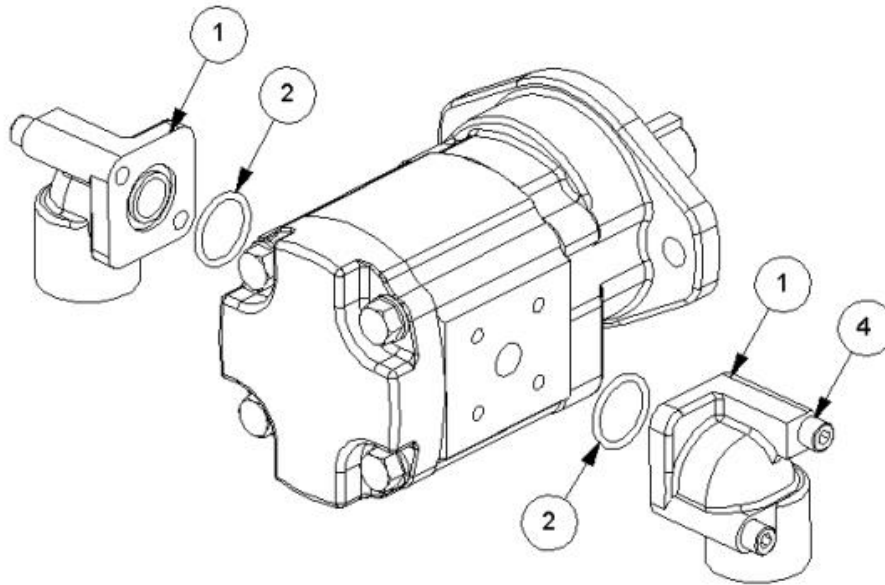
Ref	Part No	Description	QTY
1	42603.02	MOTOR & MTG	1
2	03.871.01	BUSH	3
3	02.824.01	WASHER	3
4	8581270	ADAPTOR	2
5	8650106	SEAL	2
6	05.968.02	NUT	4
7	10.007.30	HOSE	2
8	9213136	BOLT	3
9	9163006	NUT	3
10	22590.26	HOSE SLEEVING	1

42603.02 - MOTOR & MTG



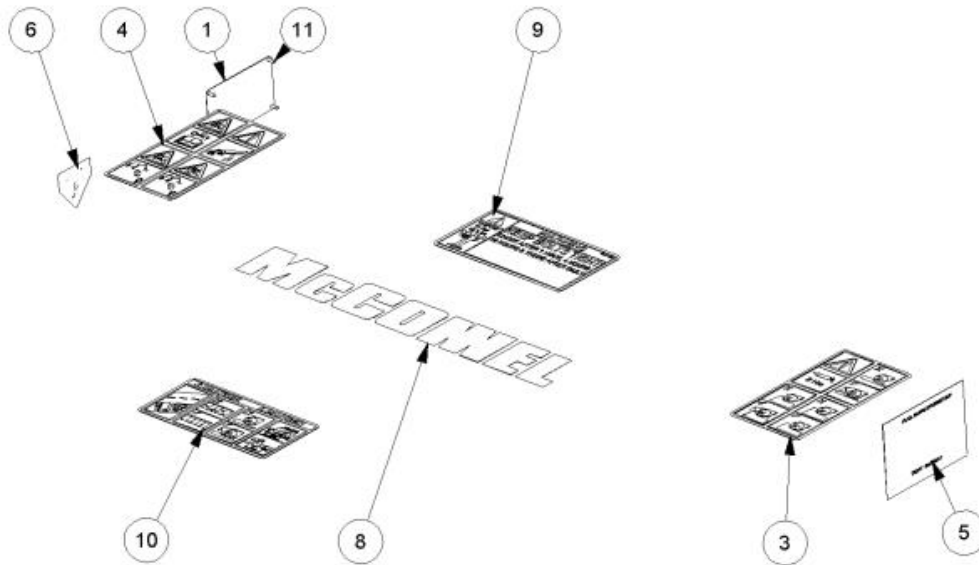
Ref	Part No	Description	QTY
1	09.132.01	PLATE	1
2	08.785.05	MOTOR	1
3	04.282.56	STUD	2
4	9113005	NUT	2
5	9100205	WASHER	2
6	03.833.01	PLATE	1
7	03.960.02	STUD	1
8	03.959.02	WASHER	1
9	0141003	NUT	1
10	03.917.01	STUD	4

08.785.05 - MOTOR



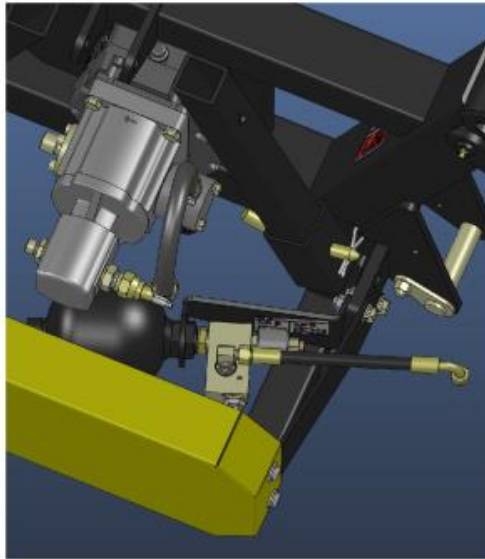
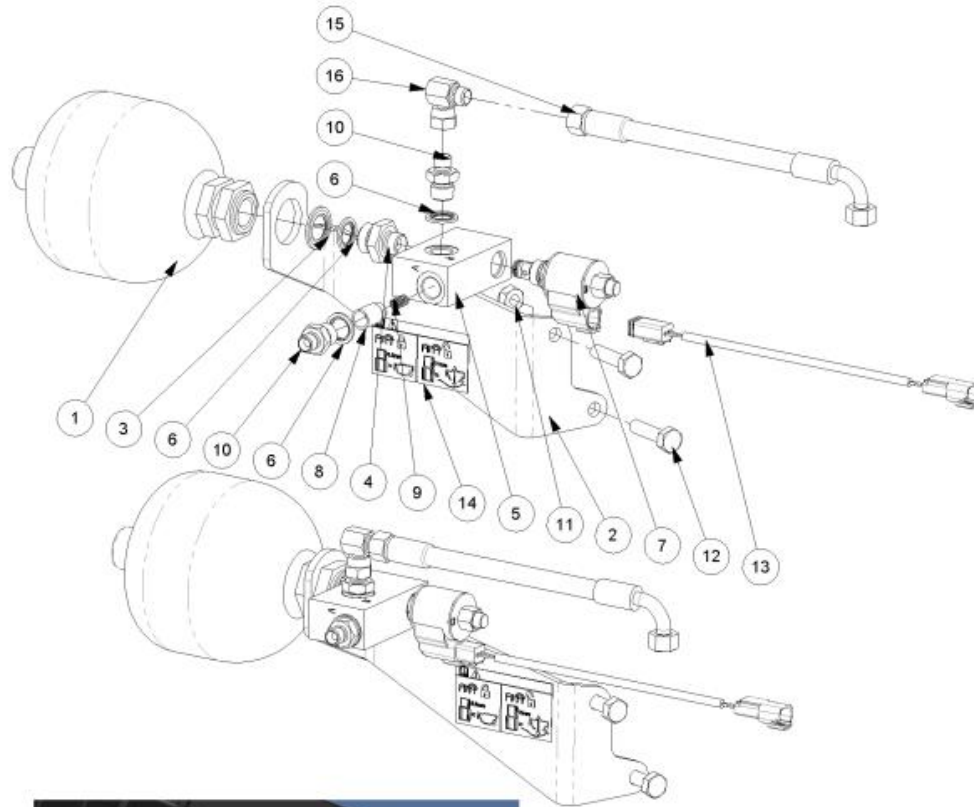
Ref	Part No	Description	QTY
1	08.785.07	FLANGE	2
2	8600403	"O" RING	2
3	08.785.06	SEAL KIT	1
4	05.625.25	CAPSCREW	2

7350710 - STICKER MODULE



Ref	Part No	Description	QTY
1	1335246	SERIAL No. PLATE	1
3	1290738	DECAL	1
4	09.821.35	DECAL	1
5	1290392	DECAL	1
6	09.810.01	DECAL	1
8	1290255	DECAL	1
9	1291065	DECAL	1
10	1291231	DECAL	1
11	7103230	RIVET	4

8126388 -



FIT BRACKET TO INSIDE FACE OF FRAME PLATE, OPPOSITE COVER SUPPORT, SEE PICTURE.
EXISTING LIFT BASE HOSE TO BE FITTED TO 'V' PORT.
HOSE IN THIS KIT TO RUN FROM 'R' PORT TO LIFT RAM BASE PORT.
ITEM 13 ONLY USED ON ELECTRIC OR PROPORTIONAL CONTROL MACHINES, USE MANUAL OVERRIDE ON CABLE MACHINES.

Ref	Part No	Description	QTY
1	8126042	ACCUMULATOR	1
2	21924.04	LH ACCUMULATOR BRACKET	1
3	8650322	SEAL	1
4	G2410380	ADAPTOR	1
5	8126287	BLOCK	1
6	8650103	SEAL	3
7	8130223	NC POPPET VALVE	1
8	8126037	PISTON	1
9	8116011	SPRING	1
10	8581115	ADAPTOR	2

Ref	Part No	Description	QTY
11	9163005	NUT	2
12	9213085	BOLT	2
13	41844.54	ANGLE FLOAT LOOM 2M DT CONNECT	1
14	1290061	DECAL	1
15	10.002.11	HOSE	1
16	8581190	ADAPTOR	1

8130223 - NC POPPET VALVE

No Picture Available

Ref	Part No	Description	QTY
1	8130220	COIL FOR 8130223	1
2	8130221	VALVE FOR 8130223	1
3	8130222	COIL RETAINING NUT FOR 8130223	1