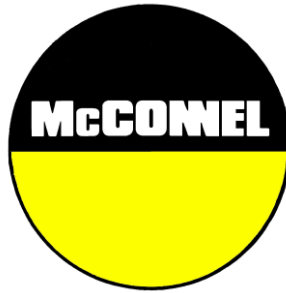


Parts Manual for
WGC No: 7443960
PA4330 MOTION MINI

Print date: 27/06/2019

Applicable to Works Order No: 783156

SN: M1958892



All parts are not created equal and before you settle on an imitation part, know this - McConnel Genuine Parts offer the safety, durability and warranty protection you expect. You've made an investment in your equipment; now invest in its future.

- We design and build to exact specifications requiring strict chemical strength and performance characteristics. (Never reverse engineered like imitation parts).
- McConnel Genuine Parts meet the rigid guidelines necessary to satisfy warranty requirements.
- Our parts experts are available to answer any questions and have first -hand knowledge of all equipment.
- McConnel Genuine Parts are tested to meet all safety standards.
- McConnel parts have a 6 month warranty when fitted by an authorised Dealer.

McCONEL LIMITED

For parts supply contact your local Dealer or Stockist

To help them help you, always quote:

- ***Machine Type***
- ***Serial Number***
- ***Part Number***

Design improvements may alter some of the parts listed in this manual – the latest part will always be supplied when it is interchangeable with an earlier one.

McCONNEL PARTS DEPARTMENT

Telephone: +44 (0)1584 873131 **Fax:** +44 (0)1584 872223
Direct Parts Line: +44 (0)1584 876888 **Email:** parts@mcconnel.com

CONTENTS

Page No	Schedule No	Schedule Description
2	22674.51	PA3430 + PA4330 OPERATOR
4	7313282	CAB CTRL MTG MOD
6	7313324	GUARD KIT
8	7434402	DECAL KIT FRONT MNT
10	7434409	HYD INST PA4330
12	41014.12	RAM
14	41322.02	RAM
16	41014.13	RAM
18	7191295	RAM
20	41014.12AP	LIFT/REACH RAM
22	7198292AP	RAM
24	41014.12AP	LIFT/REACH RAM
26	7191295AP	RAM
28	7434501	MAIN FRAME MODULE
30	7434503	TANK MOUDLE RH
32	8401168	FILTER
34	8699294	FILTER SEAL KIT
36	7434510	ANGLING GEAR
38	7434513	COOLER KIT
40	8402406	COOLER
42	7434514	ROCKER MODULE
44	7434521	MAIN ARM MODULE
46	743452228	HOSE KIT
48	7434528	DIPPER MODULE
50	7434532	DIPPER MODULE LH
52	7434540	TANK FITTINGS
54	7434544	PUMP AND GEARBOX ASS
56	8201466	PUMP
58	7434557	ACV ASSY
60	22525.57	SOLENOID
62	22523.20	MANIFOLD ASSY
64	22524.48	ADAPTOR KIT
66	23550.11	PROP DCV
68	23550.13	VALVE
70	23550.15	DCV
72	8130090	VALVE
74	8126333	BLOCK
76	8130354	VALVE
78	8126334	PLATE
80	7434568	RCV ON/OFF
82	7434571	LIFT FLOAT KIT - CABLE +
84	7434576	PACKING KIT
86	7434582	BASIC STICKER KIT

88	8402919	MINI XTC KIT
90*	8126376	LIFT FLOAT KIT-PA3430/4330 BSP

* optional component

Publication 651
July 2010
Part No. 22674.51

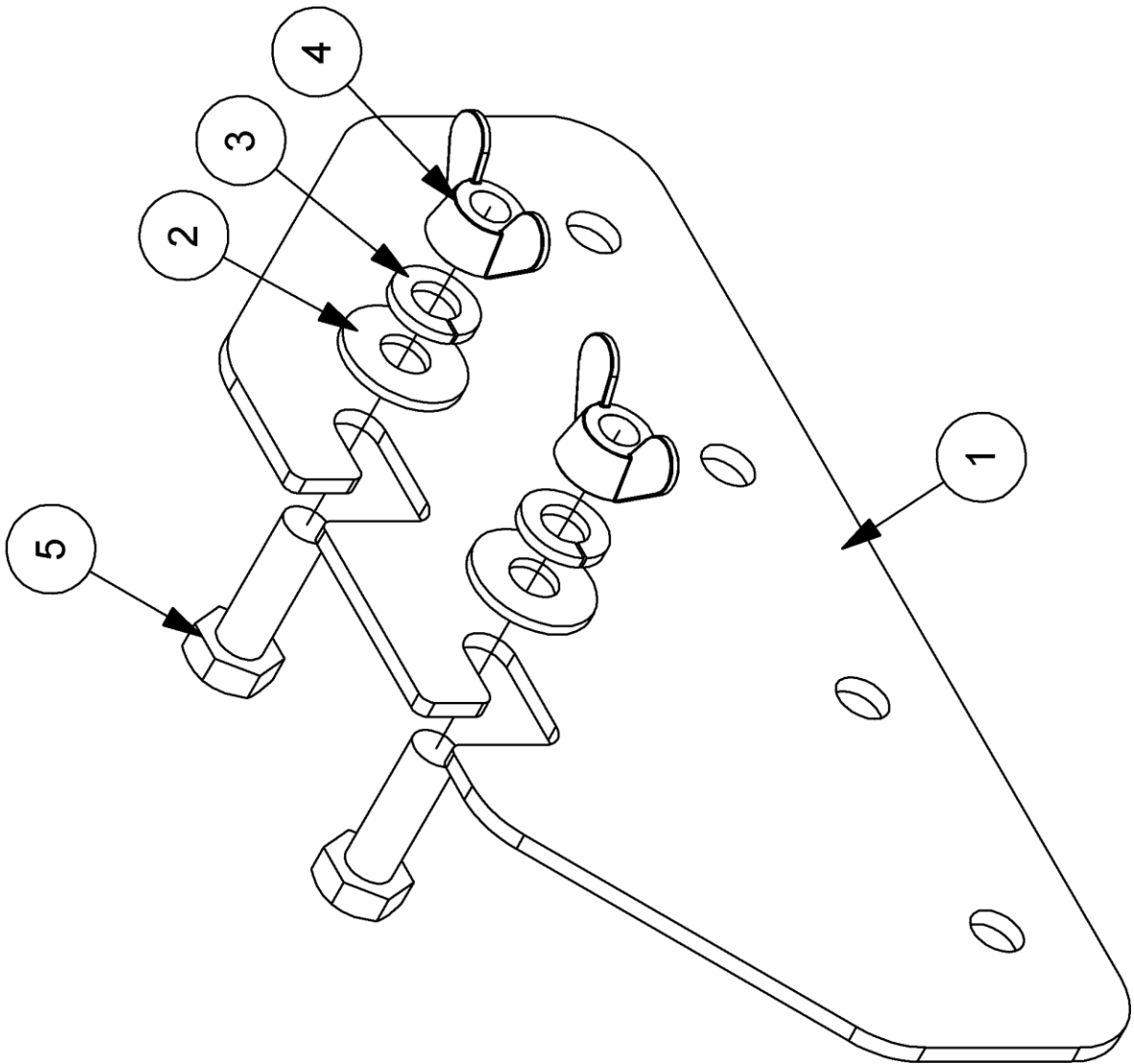


McCONNEL

PA3430 / PA4330 Series COMPACT TRIMMER / MOWER

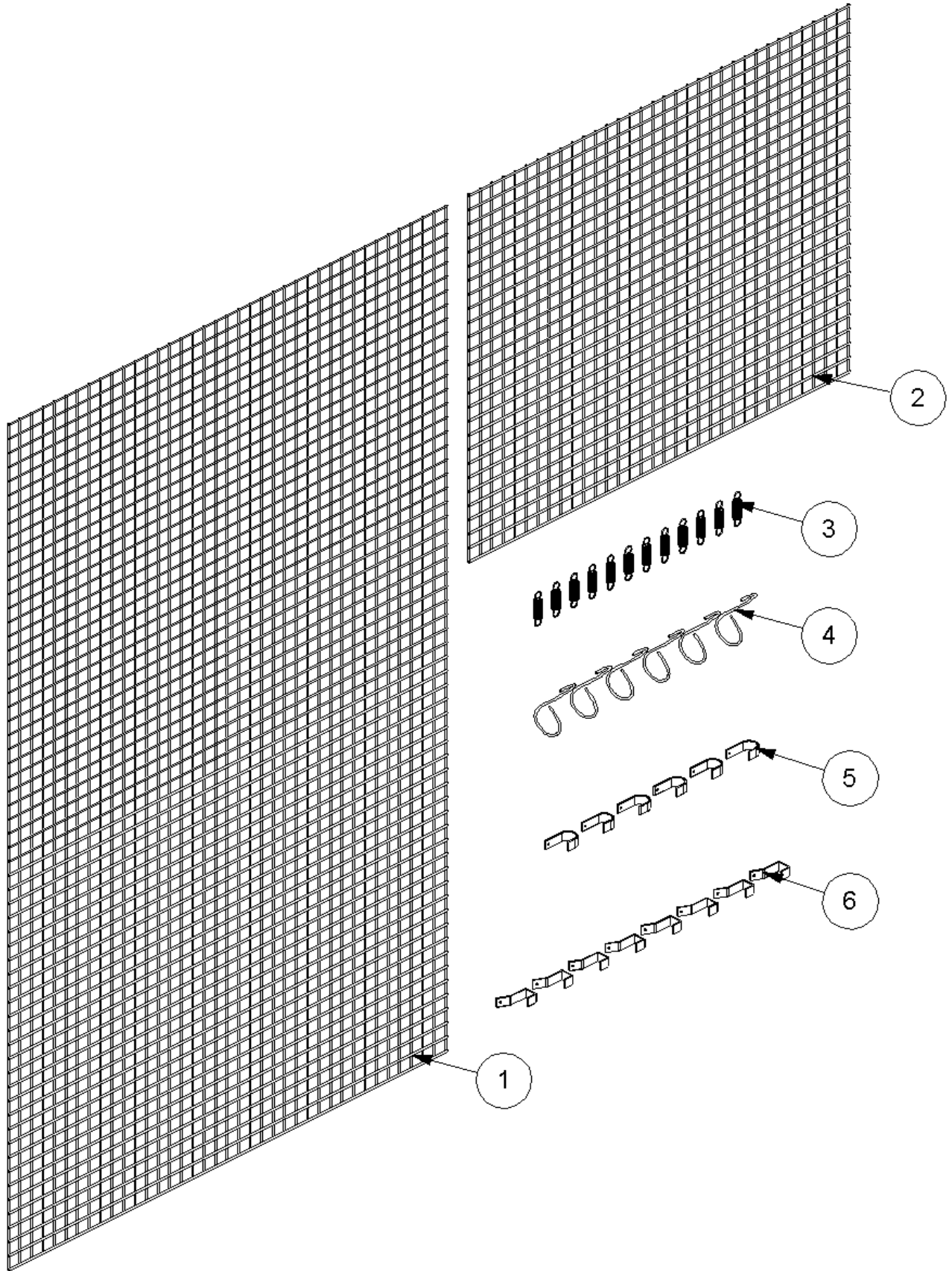
Operator Manual





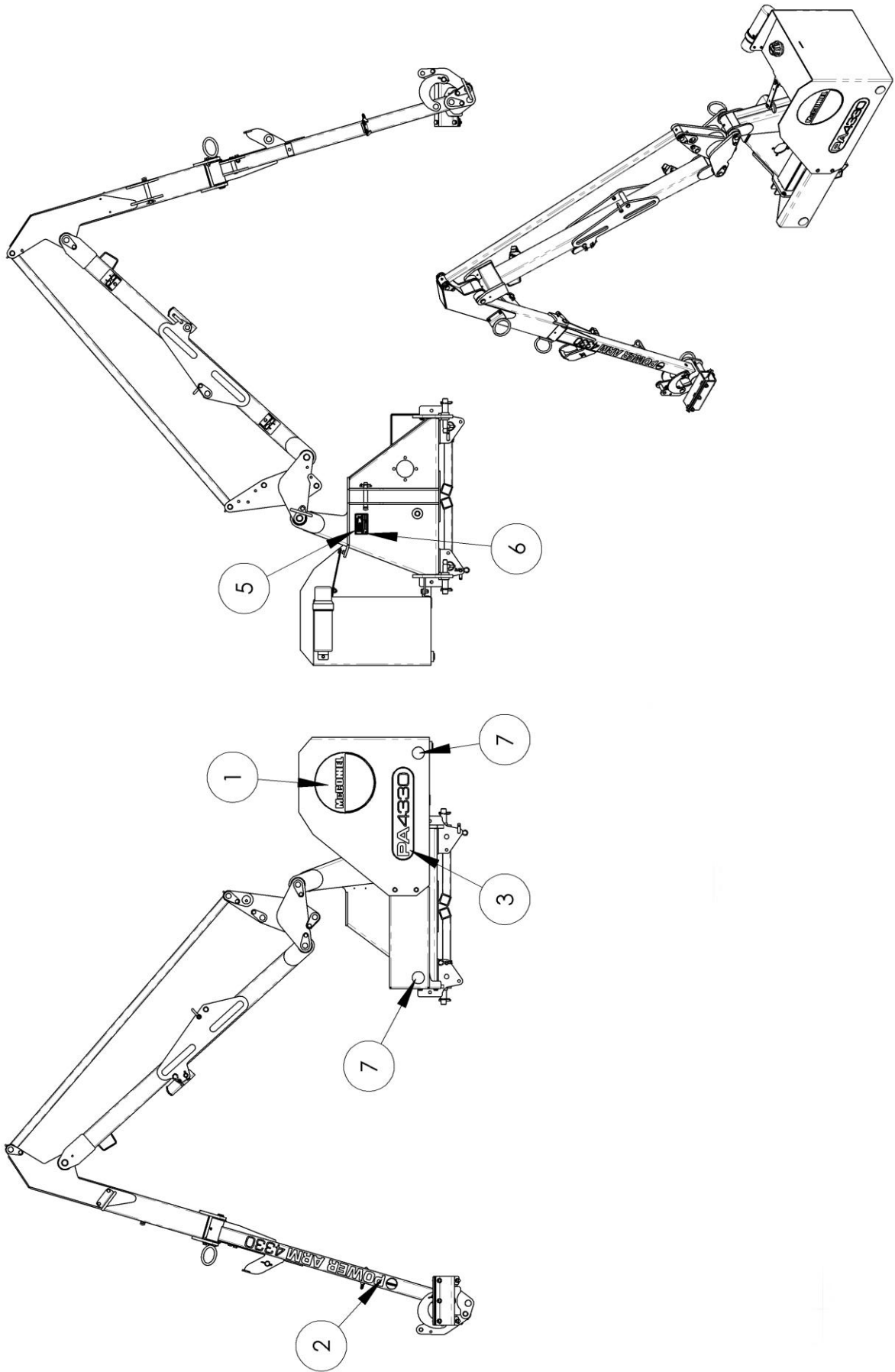
7313282 B - CAB CTRL MTG MOD

Ref	Part No	Description	Qty
1	42491.01	PLATE	1
2	9100104	WASHER	2
3	9100204	WASHER	2
4	9193004	NUT	2
5	9313054	SCREW	2



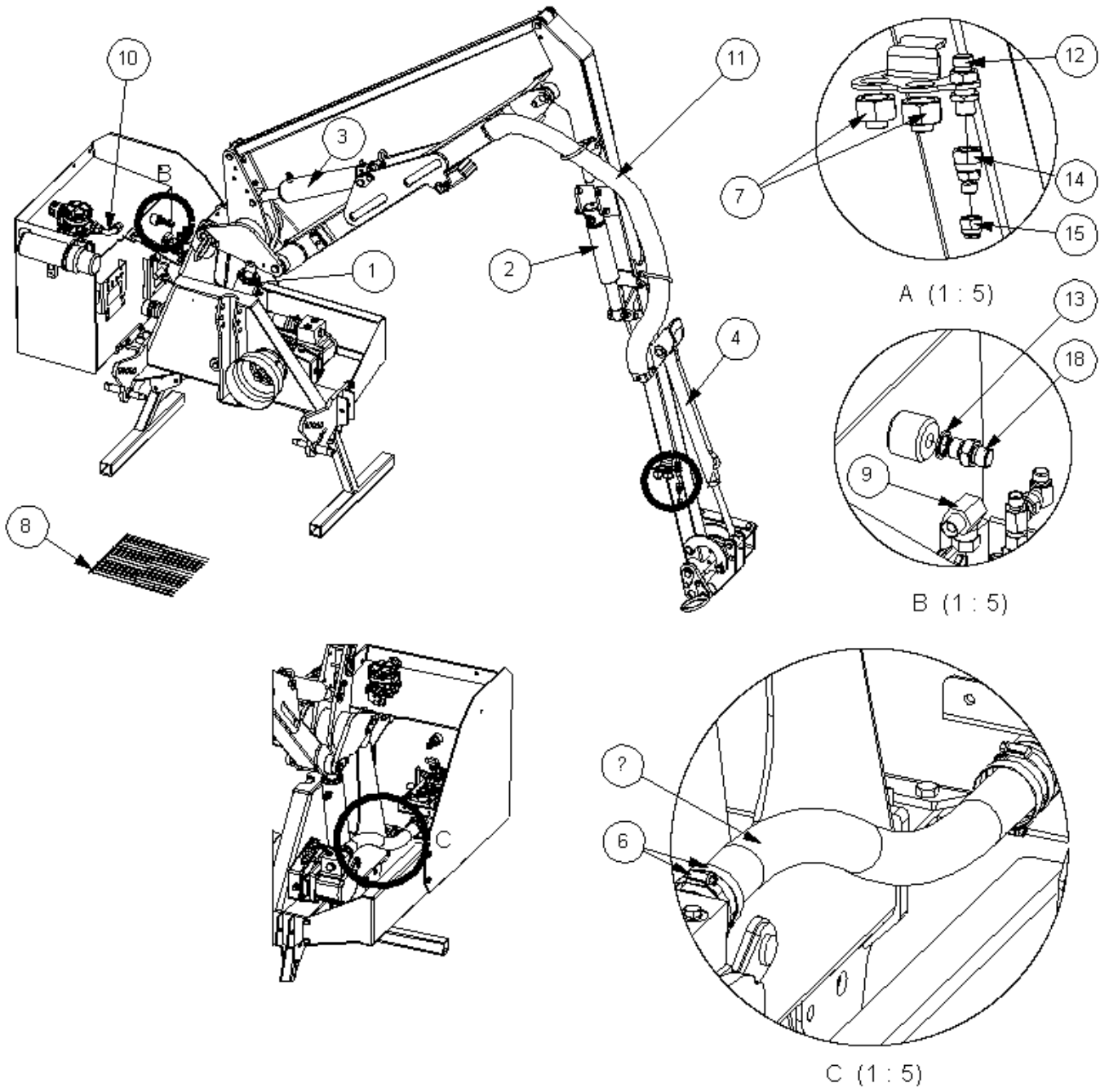
7313324 - GUARD KIT

Ref	Part No	Description	Qty
1	7313049	GUARD PANEL	1
2	7313050	GUARD PANEL	1
3	6001064	SPRING	12
4	6001065	HOOK	6
5	41587.01	GUARD HOOK	6
6	41745.01	HOOK	8
7	22342.01	CABLE TIE	1
8	7196045	HOSE TIE	2



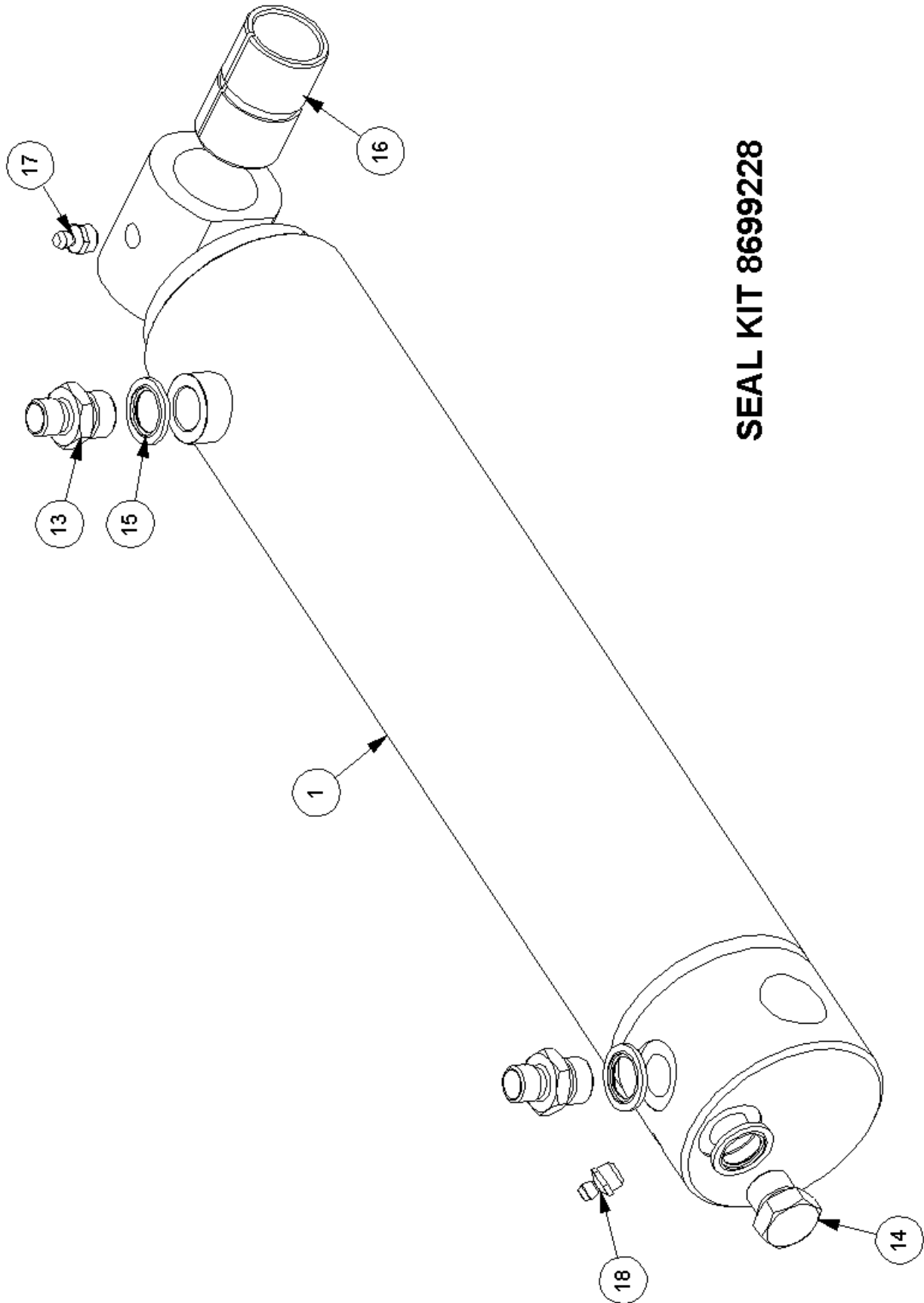
7434402 B - DECAL KIT FRONT MNT

Ref	Part No	Description	Qty
1	1290870	DECAL	1
2	1290872	DECAL	1
3	1290871	DECAL	1
5	1335246	SERIAL No. PLATE	1
6	7103230	RIVET	4
7	45671.02	RELECTOR WHITE	2



7434409 - HYD INST PA4330

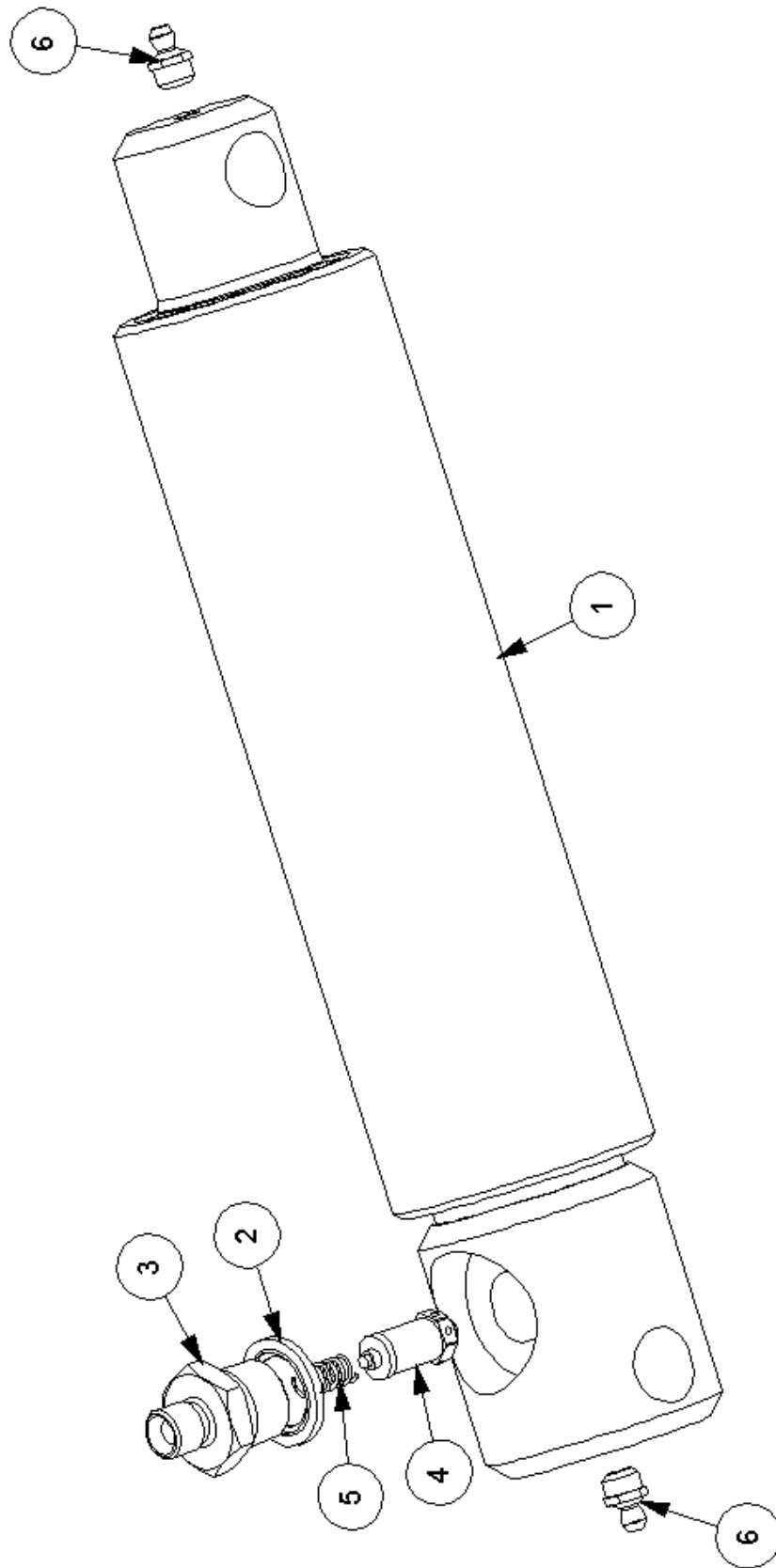
Ref	Part No	Description	Qty
1	41014.12	RAM	1
2	41322.02	RAM	1
3	41014.13	RAM	1
4	7191295	RAM	1
5	8501469	HOSE	1
6	0904107	CLIP	4
7	3812119	ADAPTOR	2
8	7196045	HOSE TIE	15
9	05.835.01	ADAPTOR	1
10	8581565	ADAPTOR	1
11	22591.26	HOSE SLEEVING	1
12	T8072	ADAPTOR	1
13	8650103	SEAL	1
14	02.714.10	ADAPTOR	1
15	520560	ADAPTOR	1
16	8650108	SEAL	1
17	8581378	ADAPTOR	1
18	05.124.01	ADAPTER	1



SEAL KIT 8699228

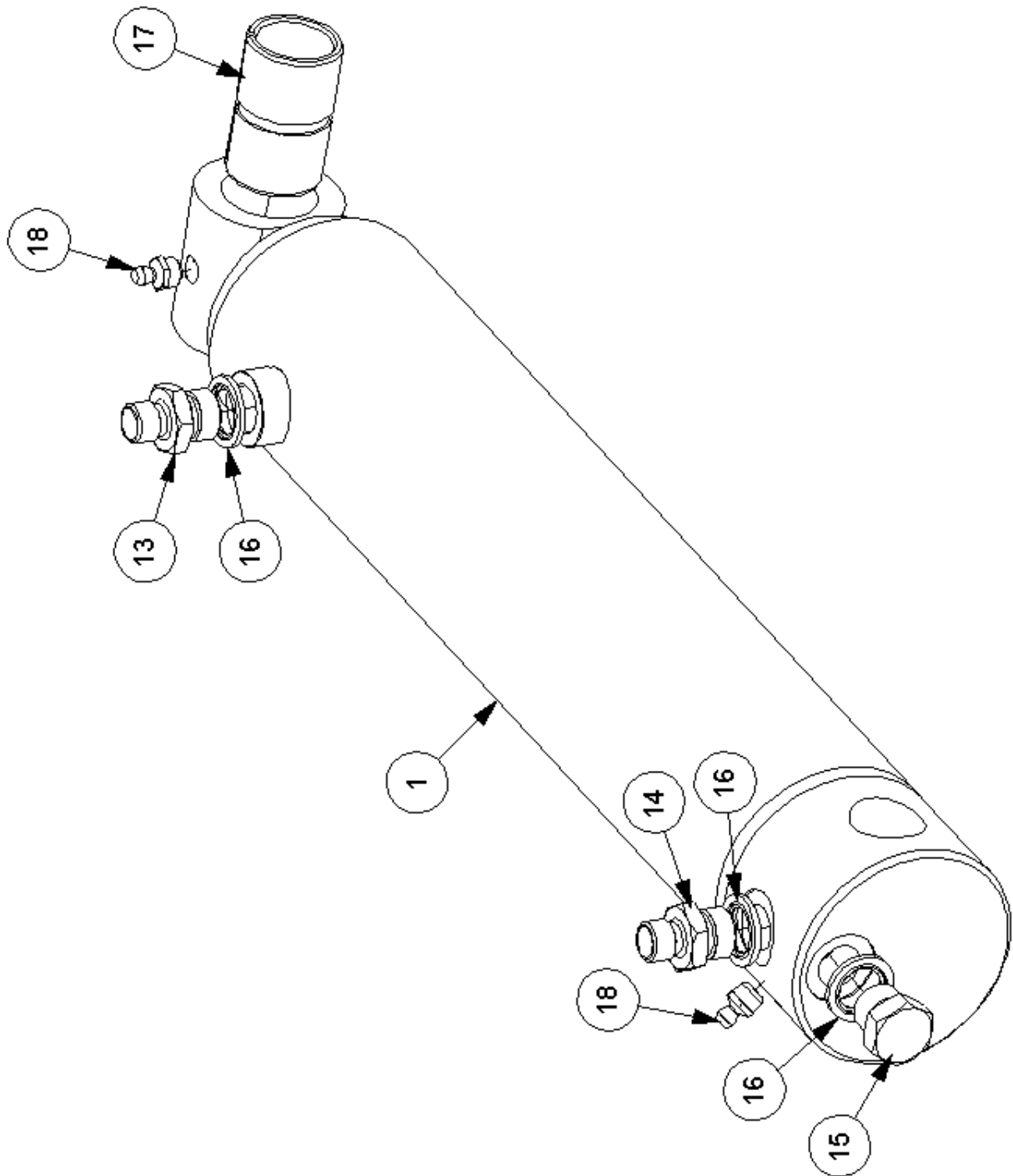
41014.12 C - RAM

Ref	Part No	Description	Qty
1	41014.12AP	LIFT/REACH RAM	1
1	41014.12P	RAM -PAINTED	0
1	8699228	SEAL KIT	0
13	8130048	RESTRICTOR	2
14	8003001	PLUG	1
15	8650103	SEAL	3
16	7105050	BUSH	1
17	0901121	GREASER	1
18	0901124	GREASER	1



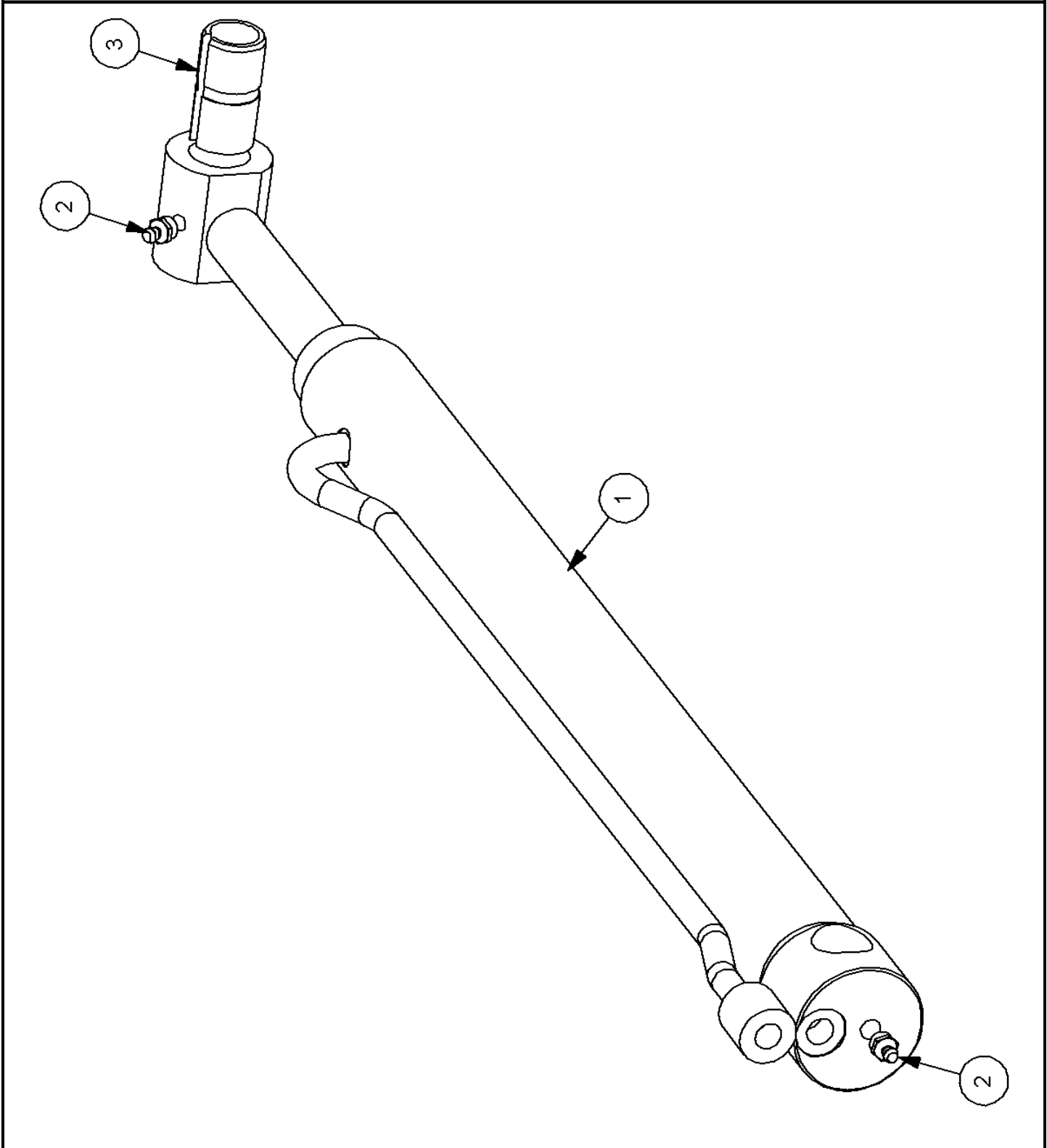
41322.02 - RAM

Ref	Part No	Description	Qty
1	7198292AP	RAM	1
1	7198292P	RAM -PAINTED	0
2	8650104	SEAL	1
3	8130083	BODY	1
4	8130189	VALVE	1
5	8116011	SPRING	1
6	0901121	GREASER	2



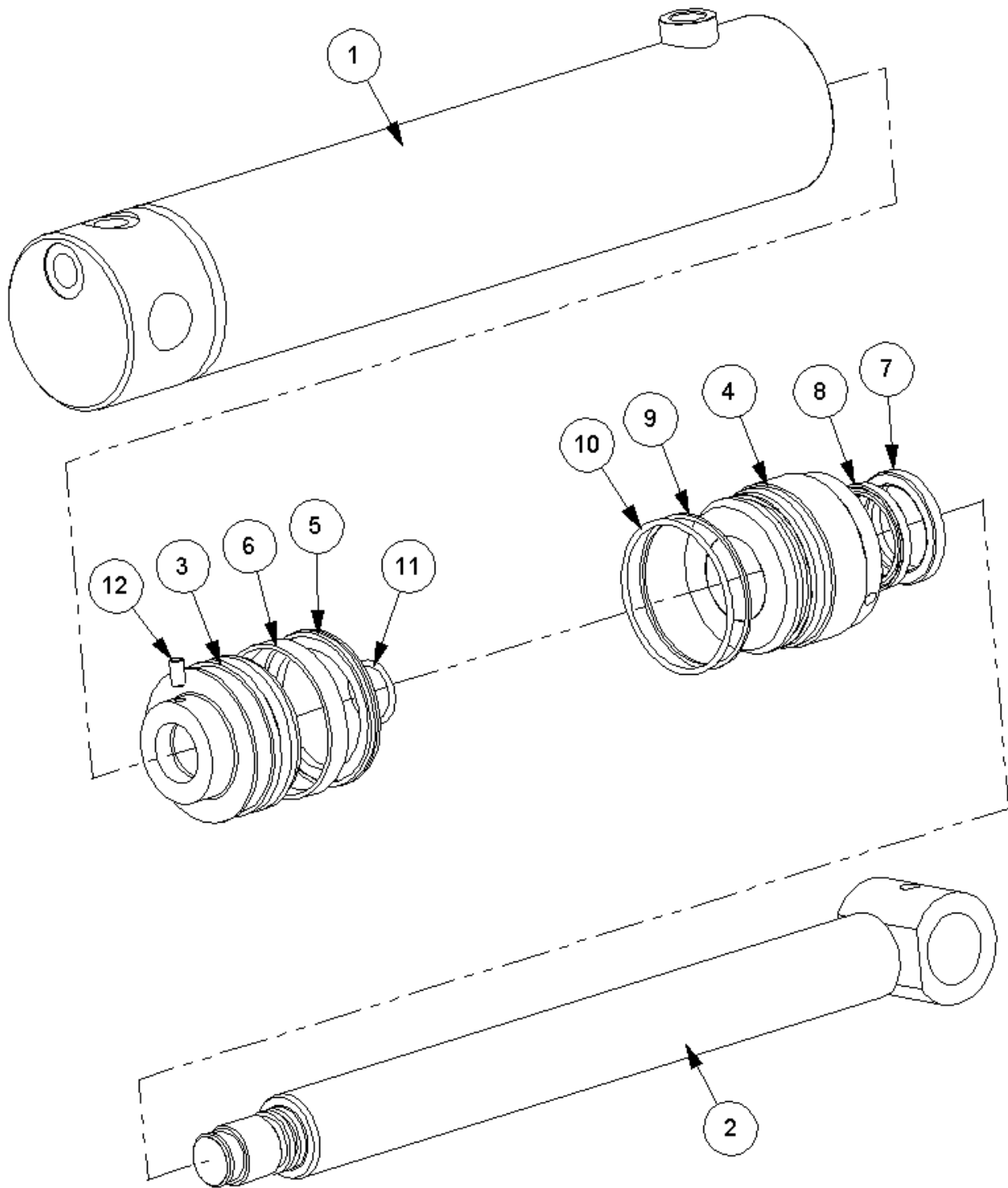
41014.13 C - RAM

Ref	Part No	Description	Qty
1	41014.12AP	LIFT/REACH RAM	1
1	41014.12P	RAM -PAINTED	0
1	8699228	SEAL KIT	0
13	8130066	RESTRICTOR	1
14	8130046	RESTRICTOR	1
15	8003001	PLUG	1
16	8650103	SEAL	3
17	7105050	BUSH	1
18	0901121	GREASER	2



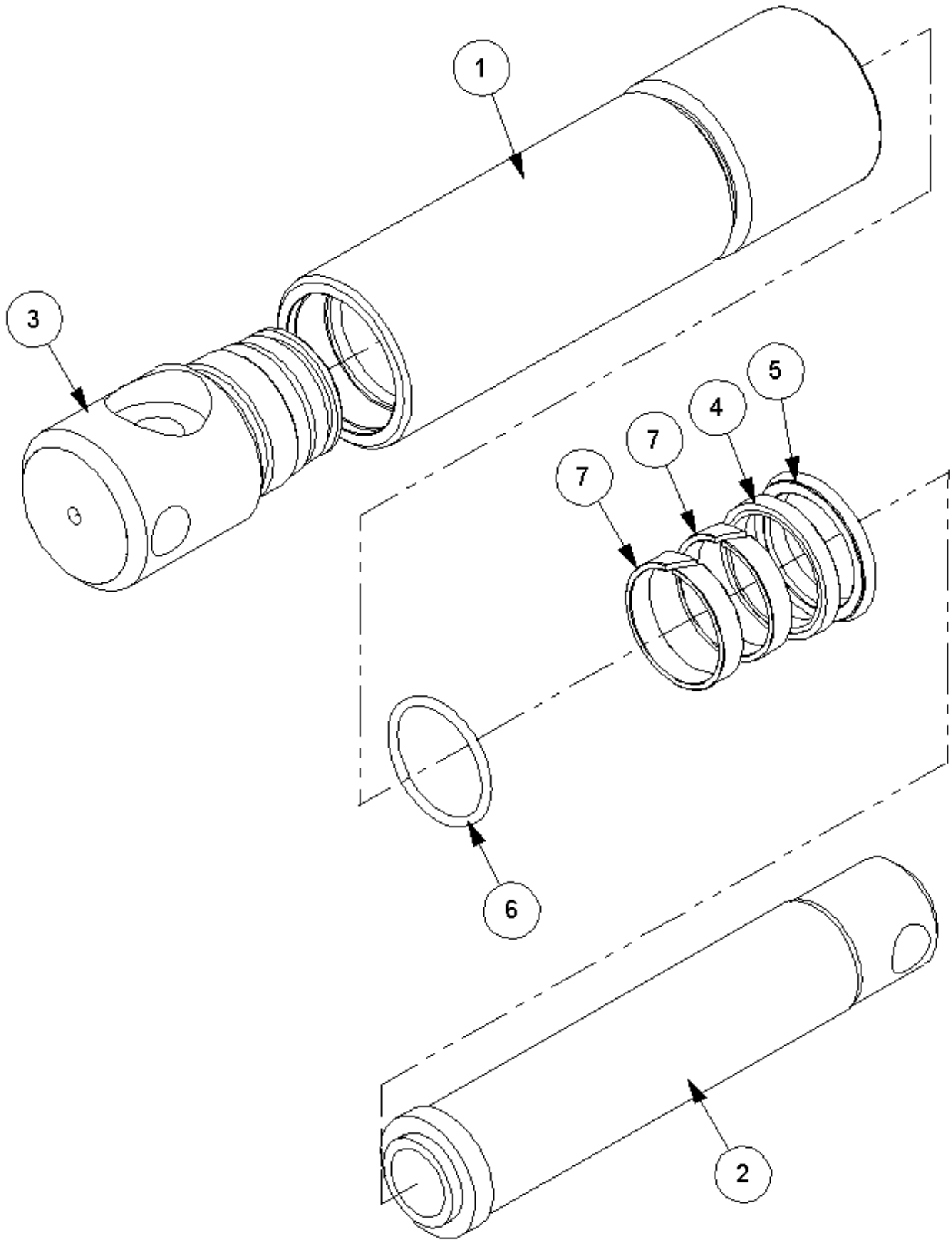
7191295 C - RAM

Ref	Part No	Description	Qty
1	7191295AP	RAM	1
1	7191295P	RAM -PAINTED	0
1	8699202	SEAL KIT	0
12	0901121	GREASER	2
13	1130002	BUSH	1



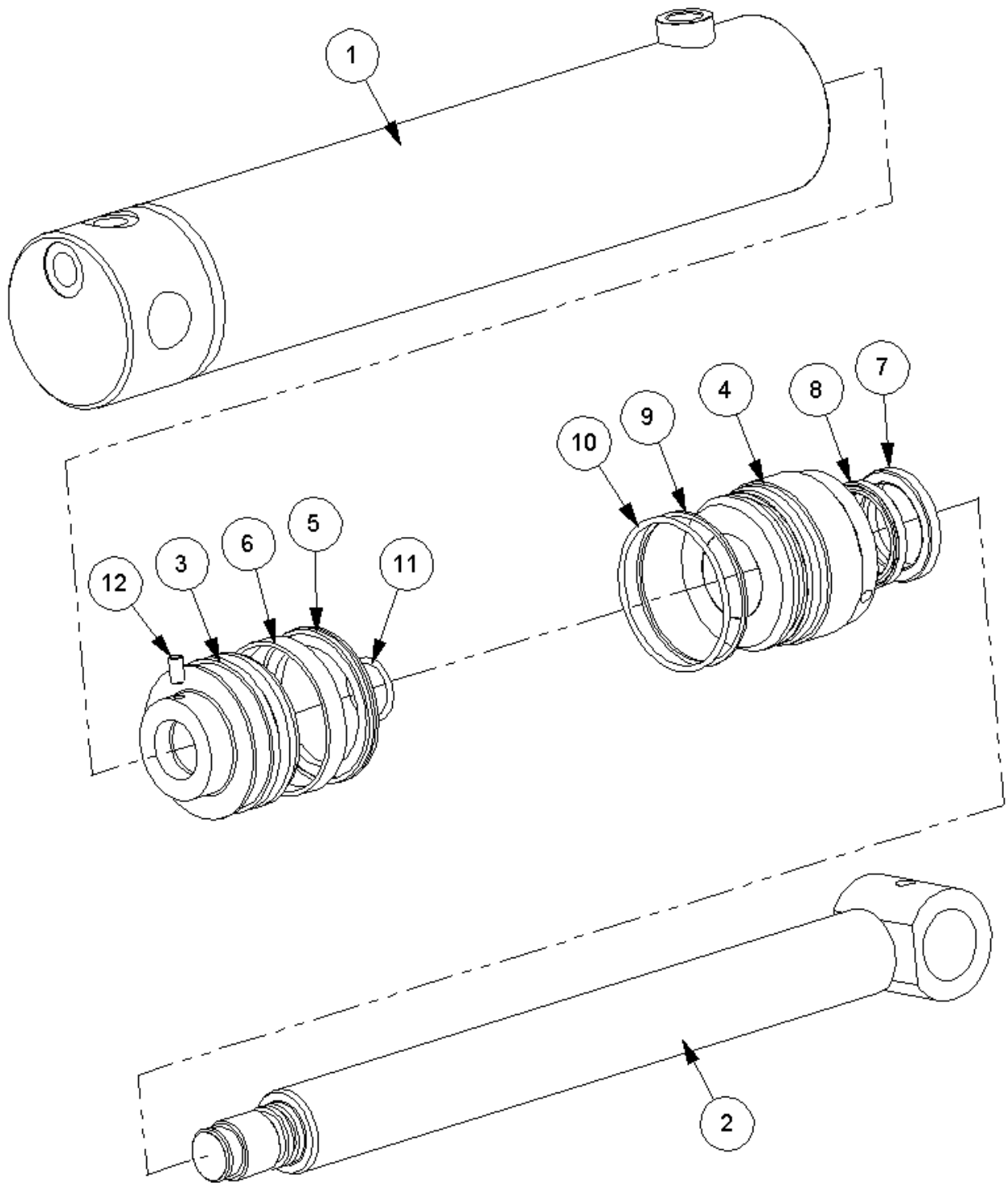
41014.12AP B - LIFT/REACH RAM

Ref	Part No	Description	Qty
1	41034.03	BARREL	1
2	41035.03	RAM ROD	1
3	7120383	PISTON	1
4	7120384	HOUSING	1
5	8629189	SEAL	1
6	8629190	SEAL	1
7	8629147	SEAL	1
8	8629164	SEAL	1
9	8609429	ANTI.EXT.RING	1
10	8600429	"O" RING	1
11	8600403	"O" RING	1
12	9363023	SCREW	1



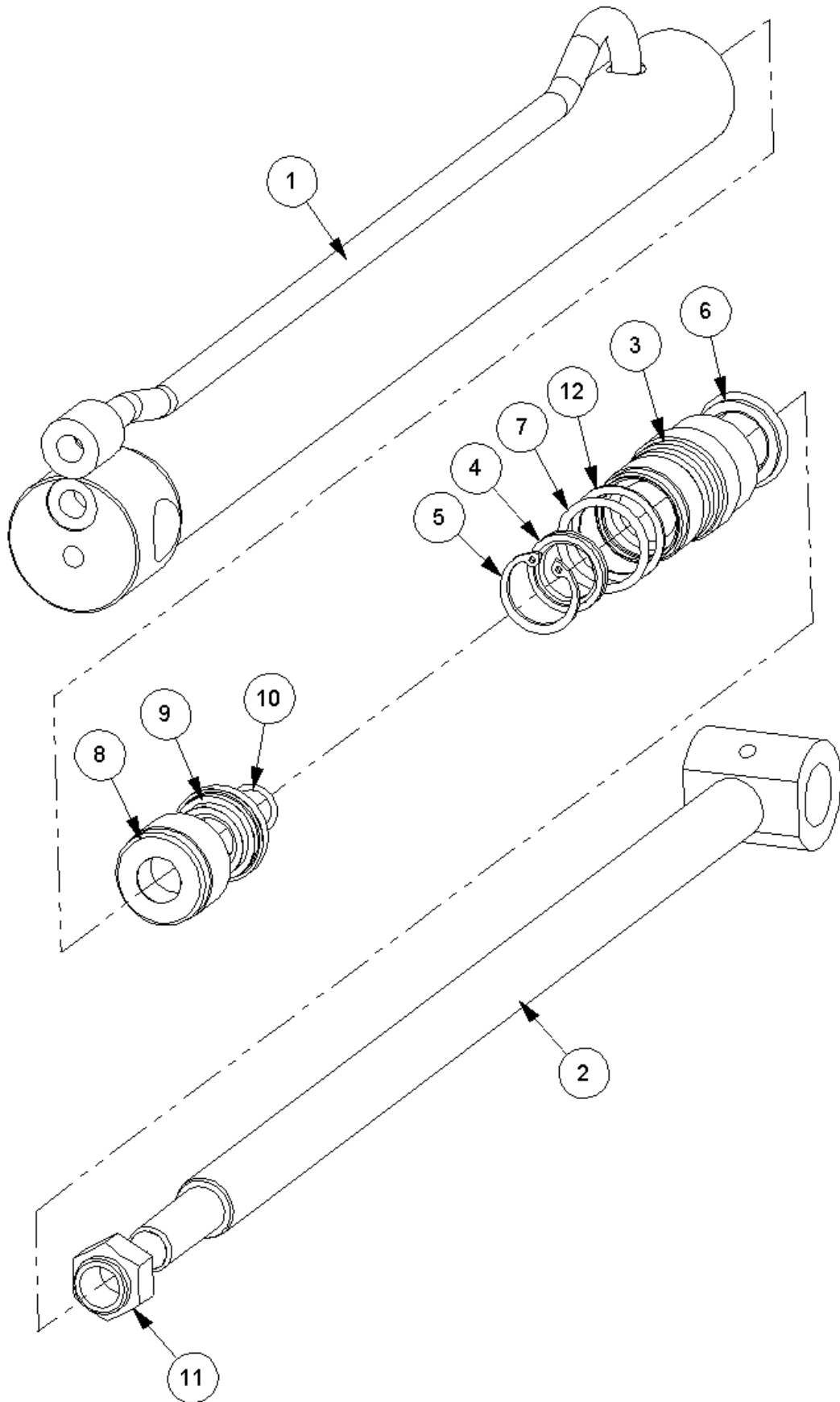
7198292AP D - RAM

Ref	Part No	Description	Qty
1	7191051	PISTON ROD	1
2	7191051	PISTON ROD	1
3	7191299	PLUG	1
4	8629158	SEAL	1
5	8629152	SEAL	1
6	8600302	"O" RING	1
7	8629273	ROD BEARING	2



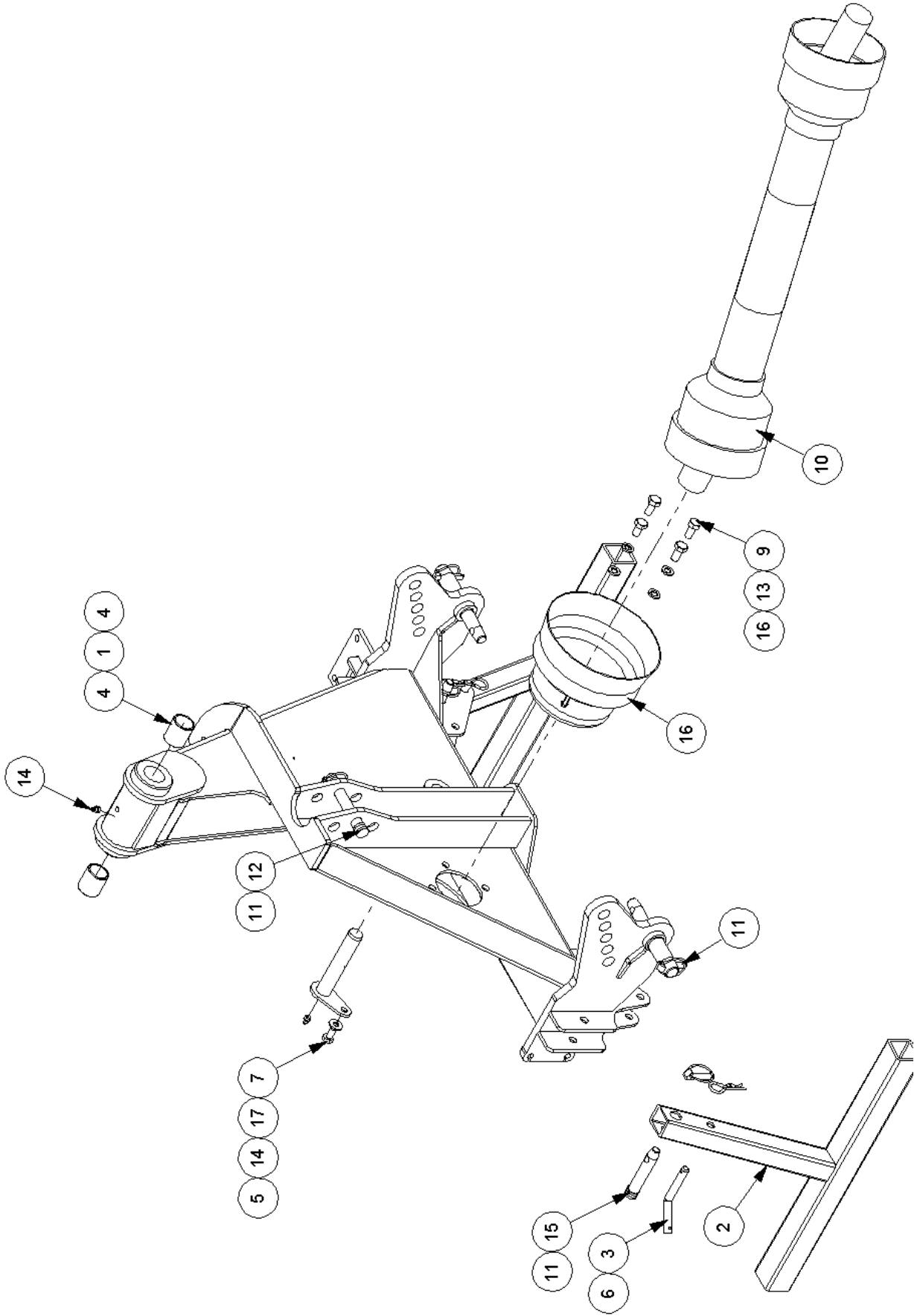
41014.12AP B - LIFT/REACH RAM

Ref	Part No	Description	Qty
1	41034.03	BARREL	1
2	41035.03	RAM ROD	1
3	7120383	PISTON	1
4	7120384	HOUSING	1
5	8629189	SEAL	1
6	8629190	SEAL	1
7	8629147	SEAL	1
8	8629164	SEAL	1
9	8609429	ANTI.EXT.RING	1
10	8600429	"O" RING	1
11	8600403	"O" RING	1
12	9363023	SCREW	1



7191295AP C - RAM

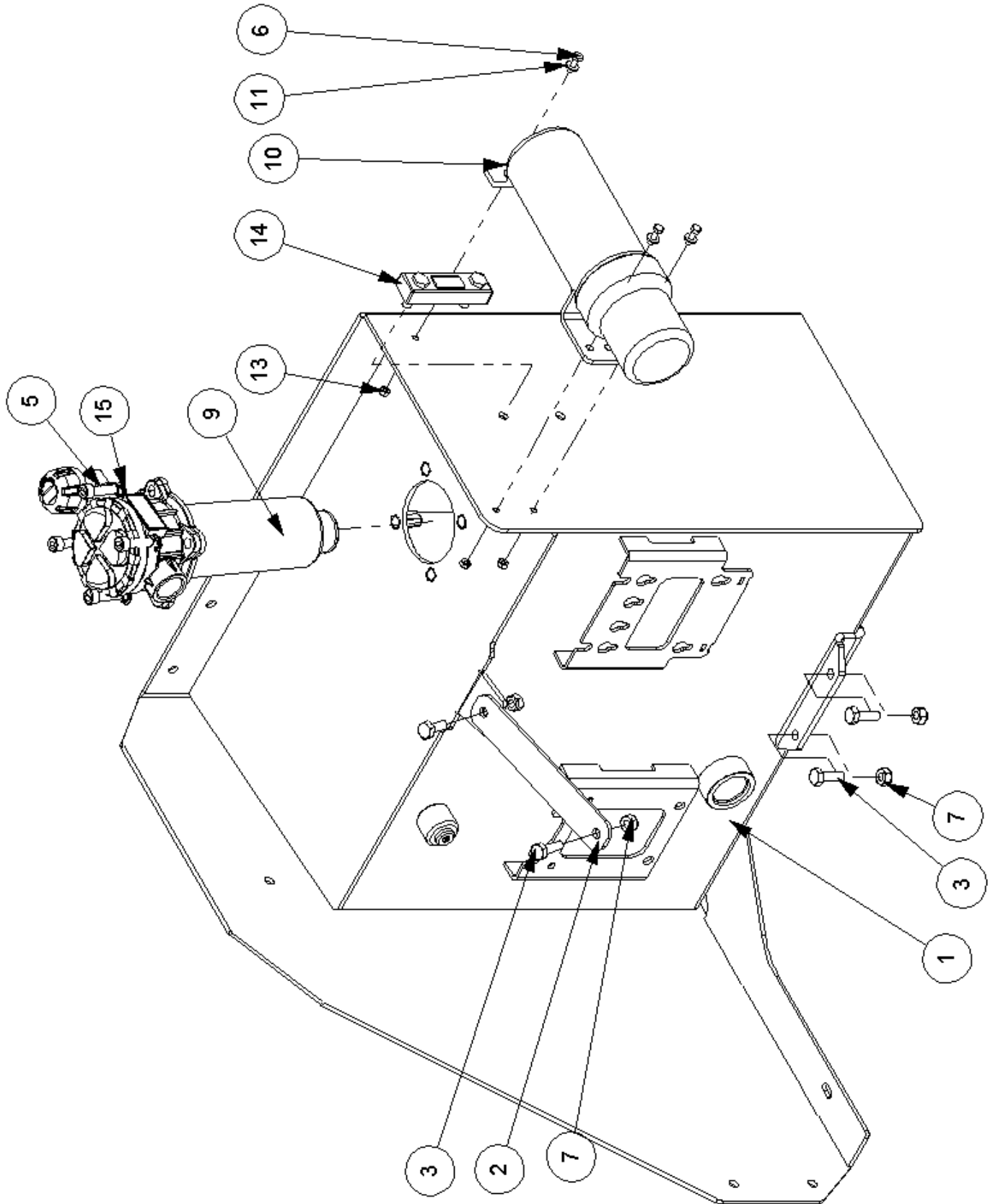
Ref	Part No	Description	Qty
1	7191296	BARREL	1
2	1090031	PISTON ROD	1
3	1090273	HOUSING	1
4	8629162	SEAL	1
5	0411234	CIRCLIP	1
6	8629161	SEAL	1
7	8600124	O-RING	1
8	1090034	USE 1130034	2
9	8629160	SEAL	1
10	8600112	O RING	1
11	0141007	NUT	1
12	8609124	AE RING	1



7434501 E - MAIN FRAME MODULE

Ref	Part No	Description	Qty
1	22852.02	MAIN FRAME	1
2	41203.05	LEG	2
3	1090051	PIN	2
4	21149.01	BUSH	2
5	41267.15	W/A 1in PIN-GREASER	1
6	0431105	PIN	2
7	9313045	SCREW	1
8	9313046	SCREW	1
9	9313056	SCREW	3
10	7114289	PTO SHAFT	1
11	0431217	LINCH PIN	5
12	6310202	PIN	1
14	9100206	WASHER	4
15	0901121	GREASER	2
15	T8117	PIN	2
16	42694.04	GUARD	1
17	9100205	WASHER	1

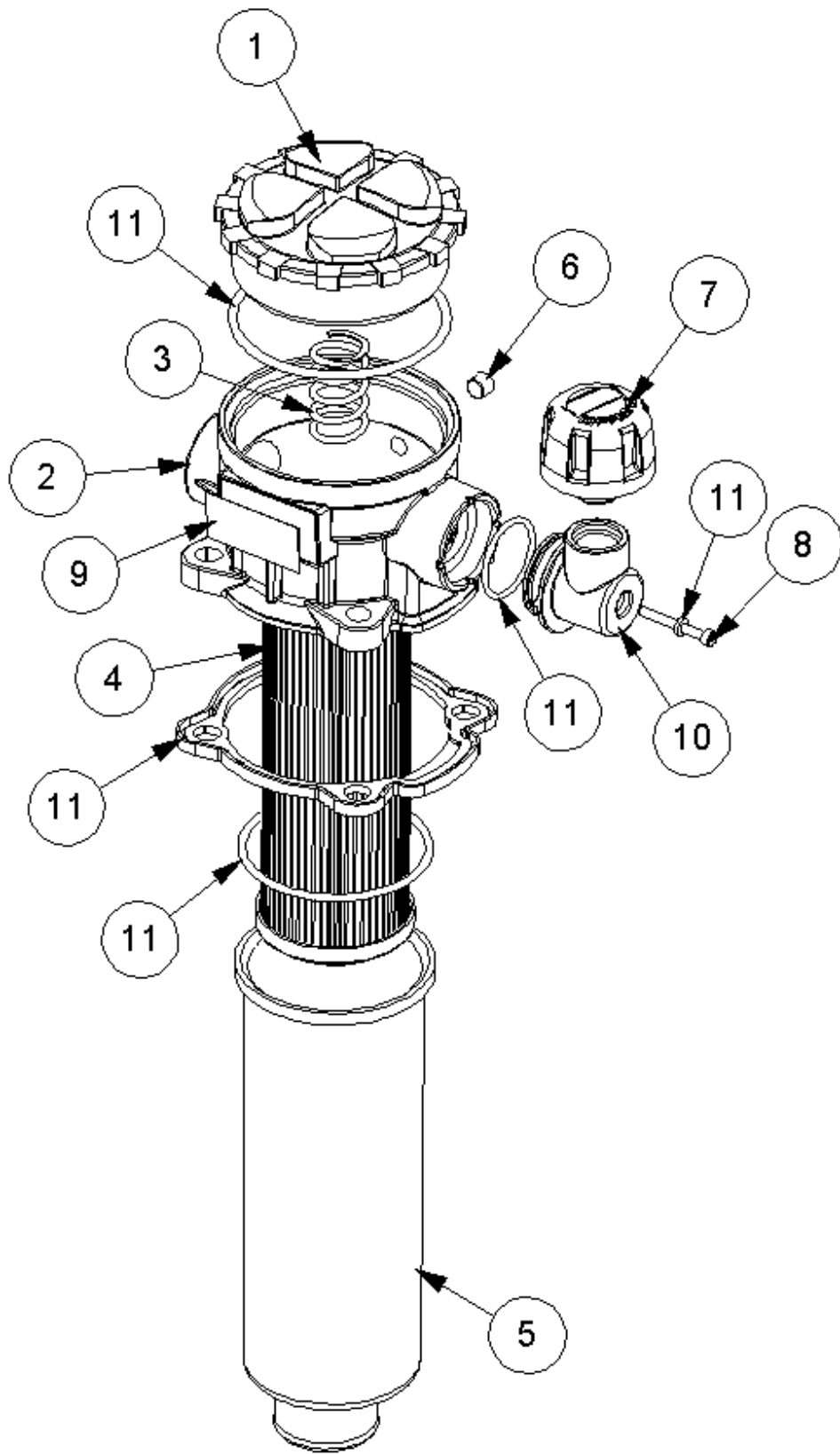
7434503 D - TANK MOUDLE RH



7434503 D - TANK MOUDLE RH

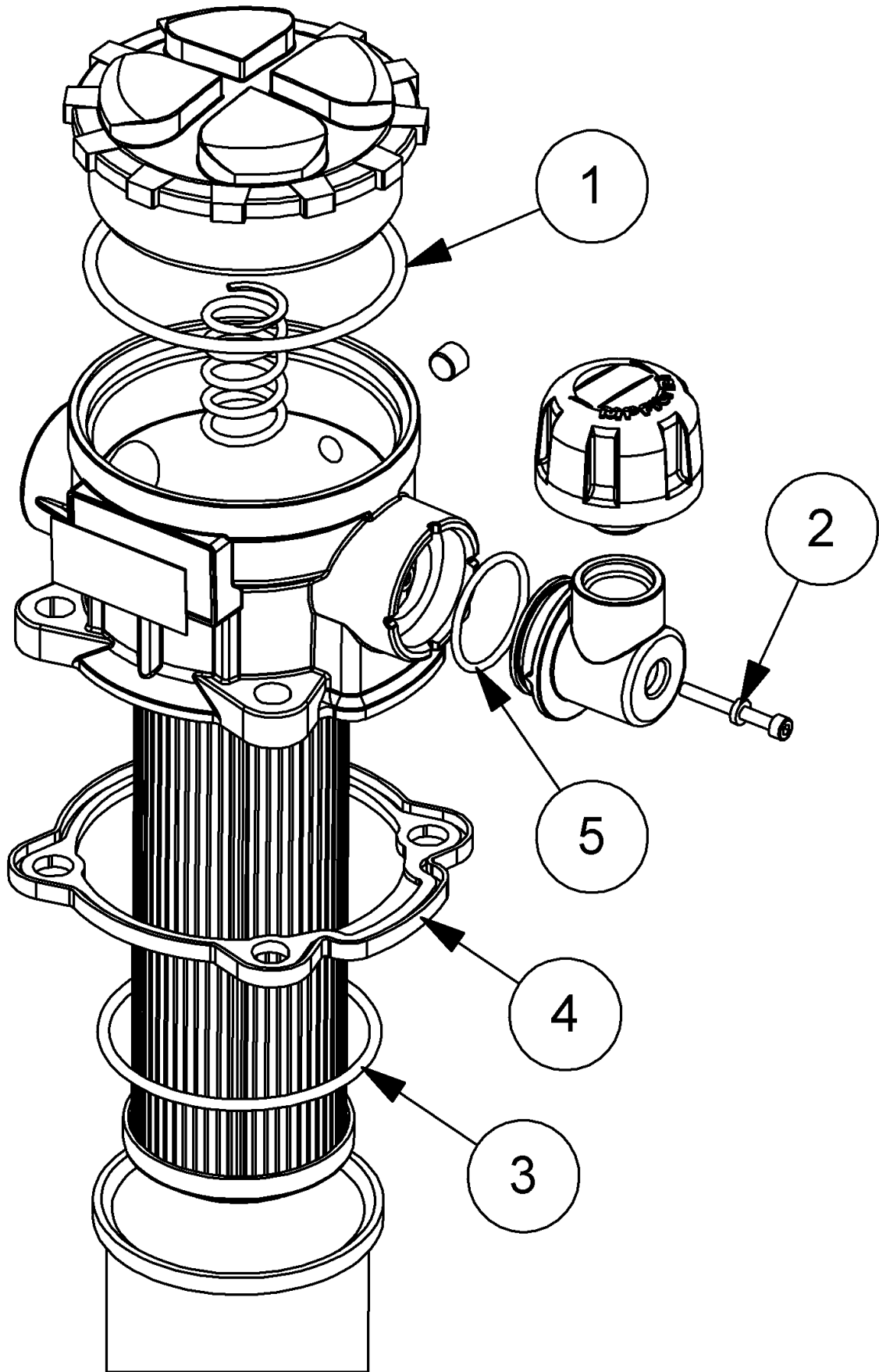
Ref	Part No	Description	Qty
1	41196.13	W/ASSY RH TANK ASSY	1
2	41196.55	TANK STRAP	1
3	9313065	SCREW	3
4	9313055	SCREW	1
5	9343075	SCREW	4
6	9313043	SCREW	3
7	9163005	NUT	4
9	8401168	FILTER	1
10	46505.01	HOLDER	1
11	9100103	WASHER	3
13	9113003	NUT	3
14	08.921.01	FLUID LEVEL GAUGE	1
15	8650310	SEAL	4

8401168 B - FILTER



8401168 B - FILTER

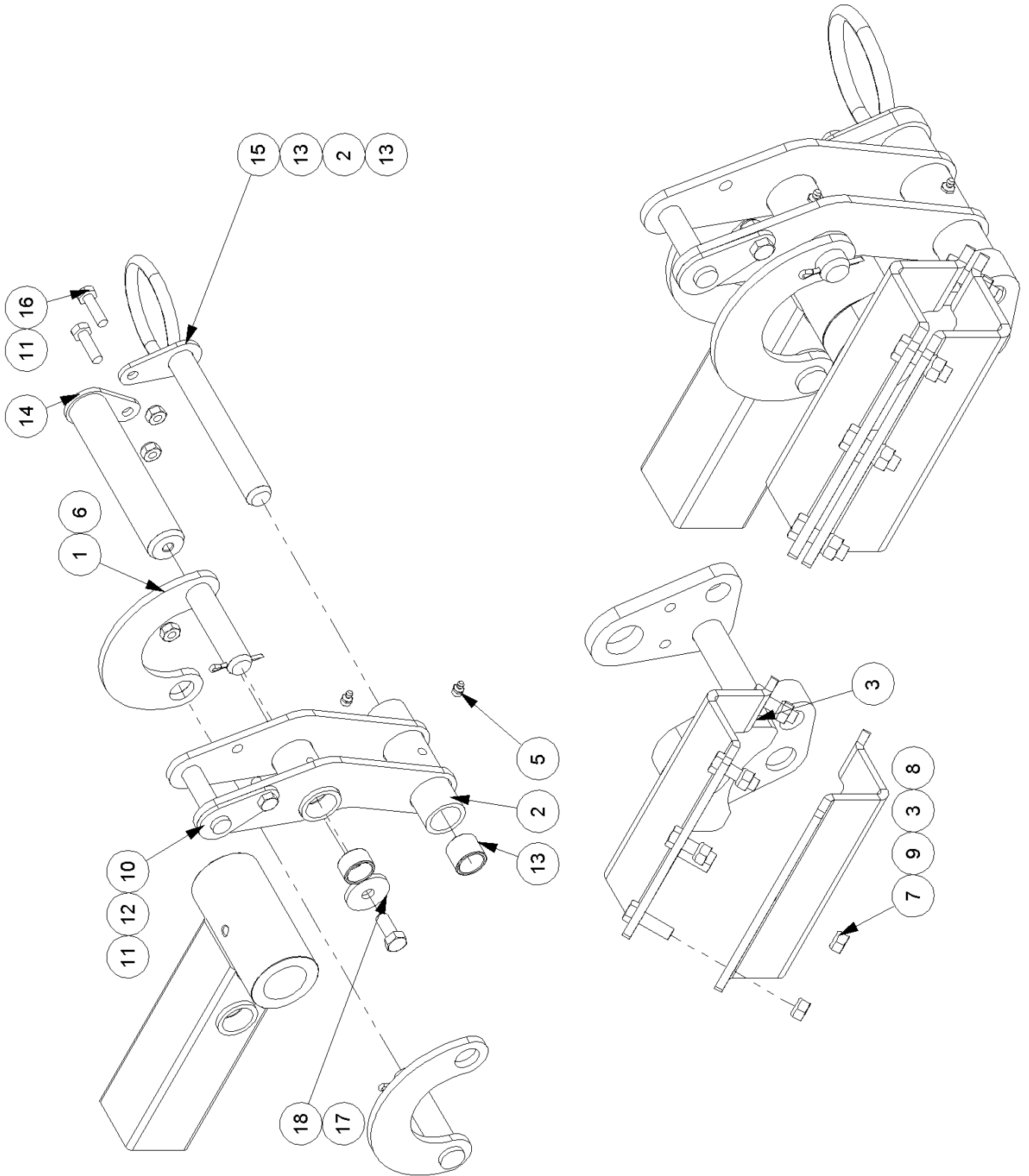
Ref	Part No	Description	Qty
1	212.013.04	FILLER CAP	1
2	8401187	HOUSING	1
3	8401158	FILTER SPRING	1
4	8401164	USE 8401095	1
5	8401165	FILTER BOWL	1
6	8401166	FILTER GRUB SCREW	1
7	8401182	BREATHER CAP+FILTER	1
8	8401184	CAP SCREW	1
9	8401167	IDENTIFICATION PLATE	1
10	8401183	ELBOW	1
11	8699294	FILTER SEAL KIT	0



8699294 - FILTER SEAL KIT

Ref	Part No	Description	Qty
1	8700092	O RING	1
2	8401186	CAP SCREW SEAL	1
3	8700235	O RING	1
4	8401188	SEAL NOT AVAILABLE USE 8699294	1
5	8401185	ORING SEAL	1

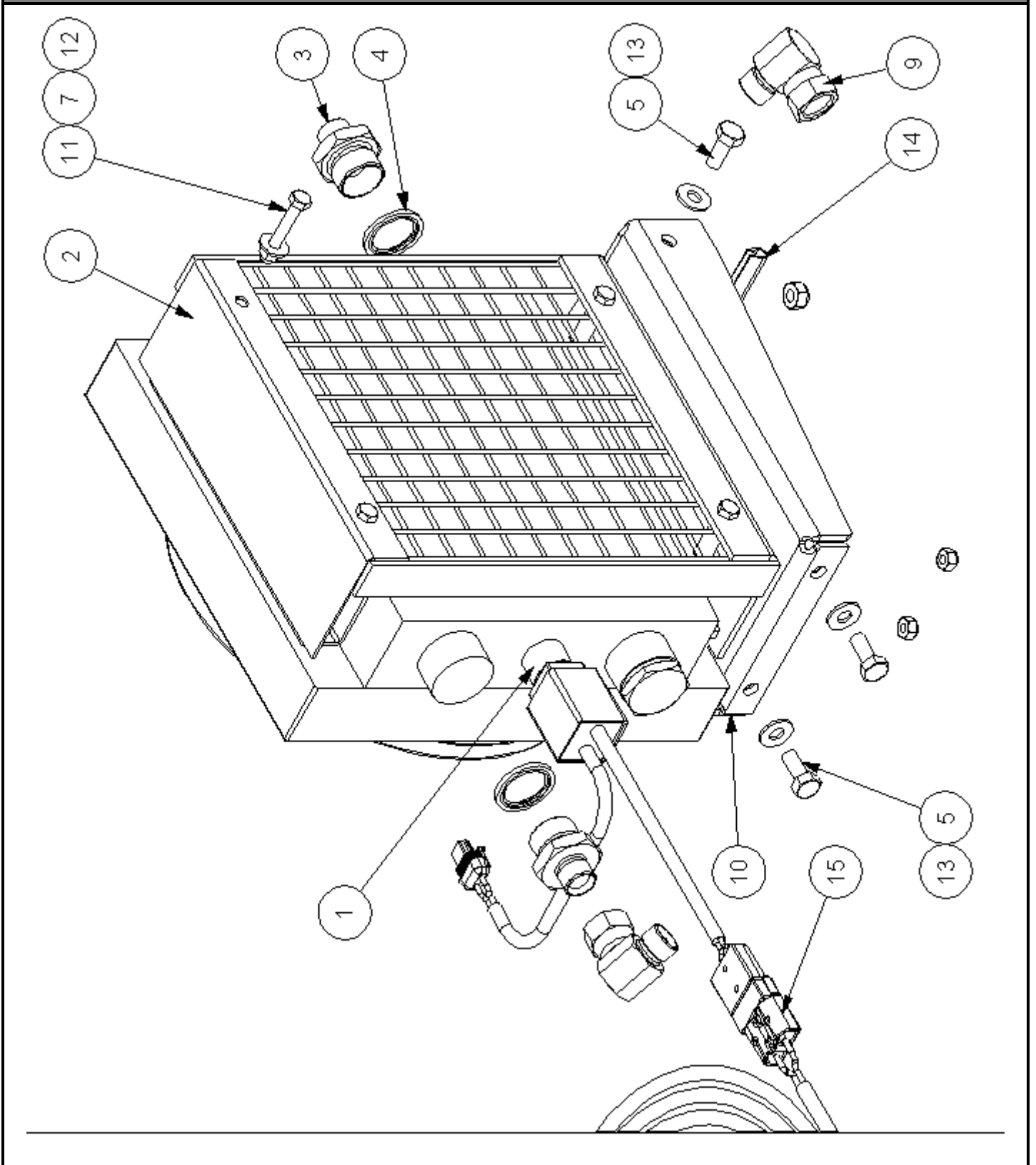
7434510 C - ANGLING GEAR



7434510 C - ANGLING GEAR

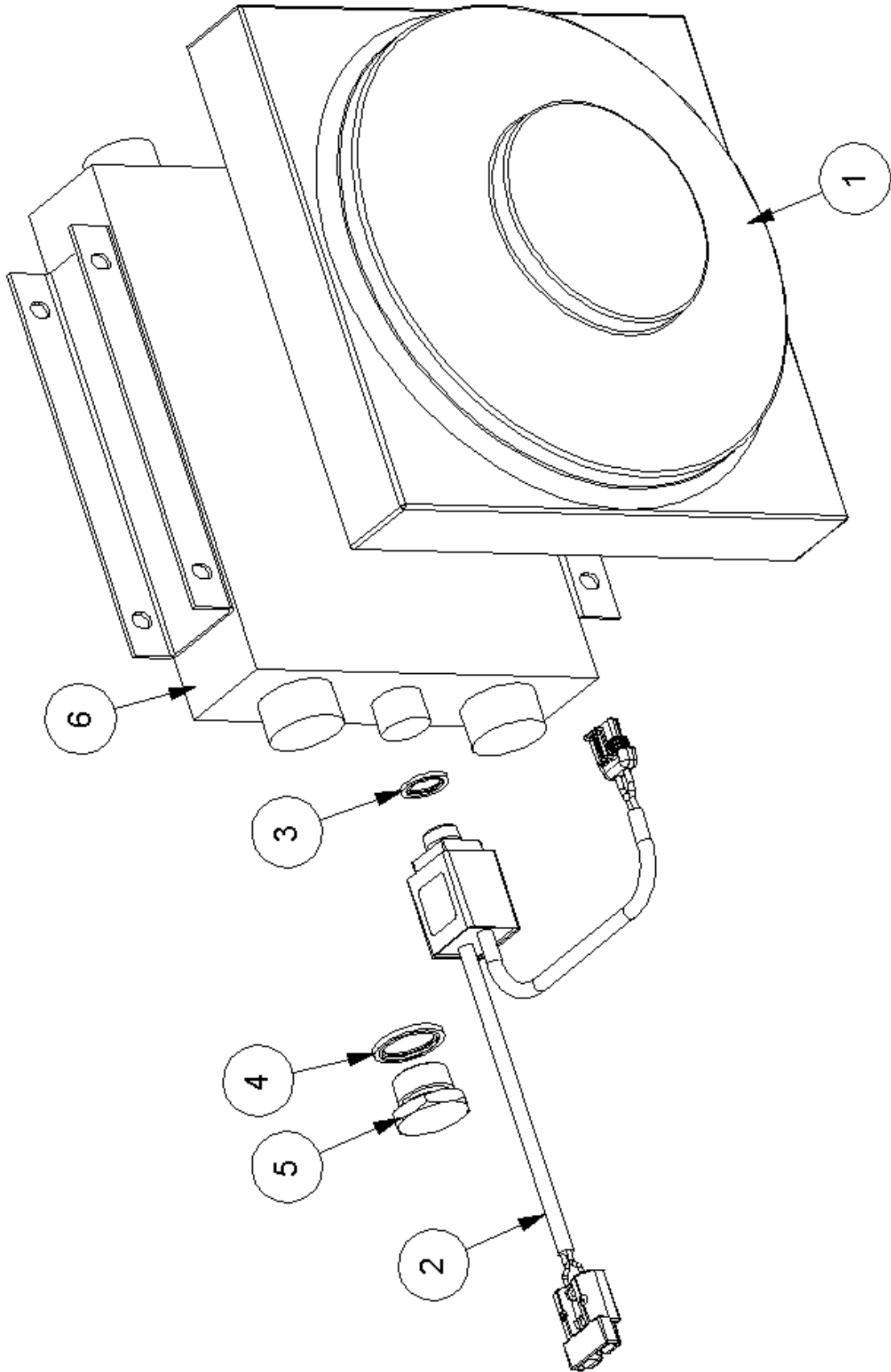
Ref	Part No	Description	Qty
1	41206.02	RADIUS ARM TYPE 2	2
2	41207.03	SLAVE LINK W/ASSY	1
3	POW-KLEMSTUK COMP LH Kopf Halter		1
4	7214060	BUSH	2
5	0901121	GREASER	2
6	9501406	PIN	2
7	9163006	NUT	5
8	9313086	SCREW	5
9	21873.01	PLATE	1
10	41270.01	PIN	1
11	9163005	NUT	3
12	9313055	SCREW	1
13	41690.01	BUSH	2
14	21971.02	PIN	1
15	21970.02	PIN W/ASSY	1
16	9313075	SCREW	2
17	9300149	SCREW	1
18	05.234.01	WASHER	1

7434513 D - COOLER KIT



7434513 D - COOLER KIT

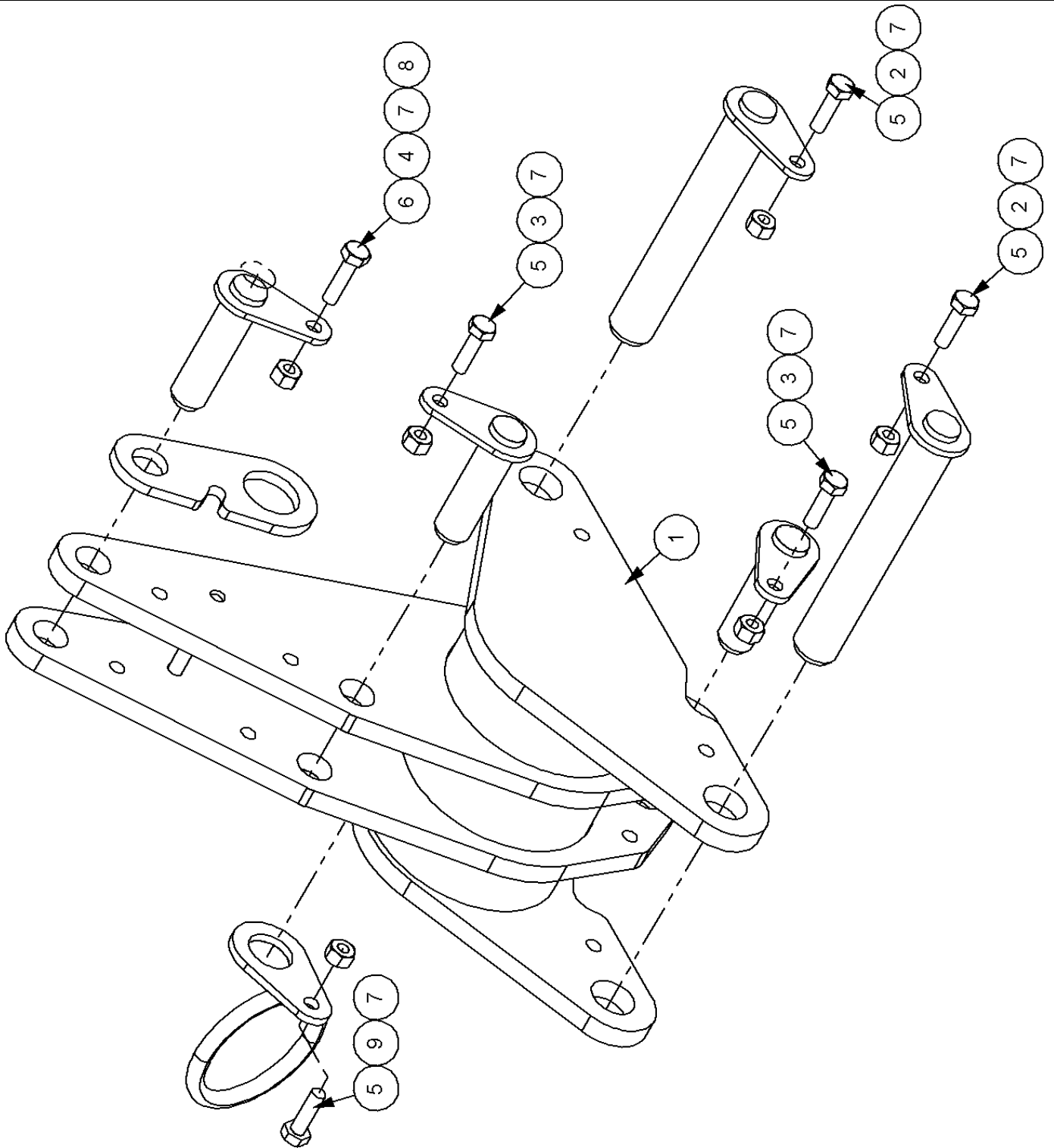
Ref	Part No	Description	Qty
1	8402406	COOLER	1
2	8402319	MOUNTING WDMT	1
3	8581378	ADAPTOR	2
4	8650108	SEAL	2
5	9313055	SCREW	3
6	9163005	NUT	2
7	9100104	WASHER	4
8	43177.38	LOOM	1
9	8581338	ADAPTOR	2
10	21432.02	W/A COOLER MTG PLATE	1
11	9213114	BOLT	4
12	9163004	NUT	6
13	9100105	WASHER	3
14	43468.13	EDGING STRIP	1
15	8402237	LOOM	1



8402406 E - COOLER

Ref	Part No	Description	Qty
1	8402386	MOTOR CW FAN	1
2	43180.02	LOOM	1
3	8650104	SEAL	1
4	8650108	SEAL	1
5	8581159	PLUG	1
6	8402407	COOLER	1

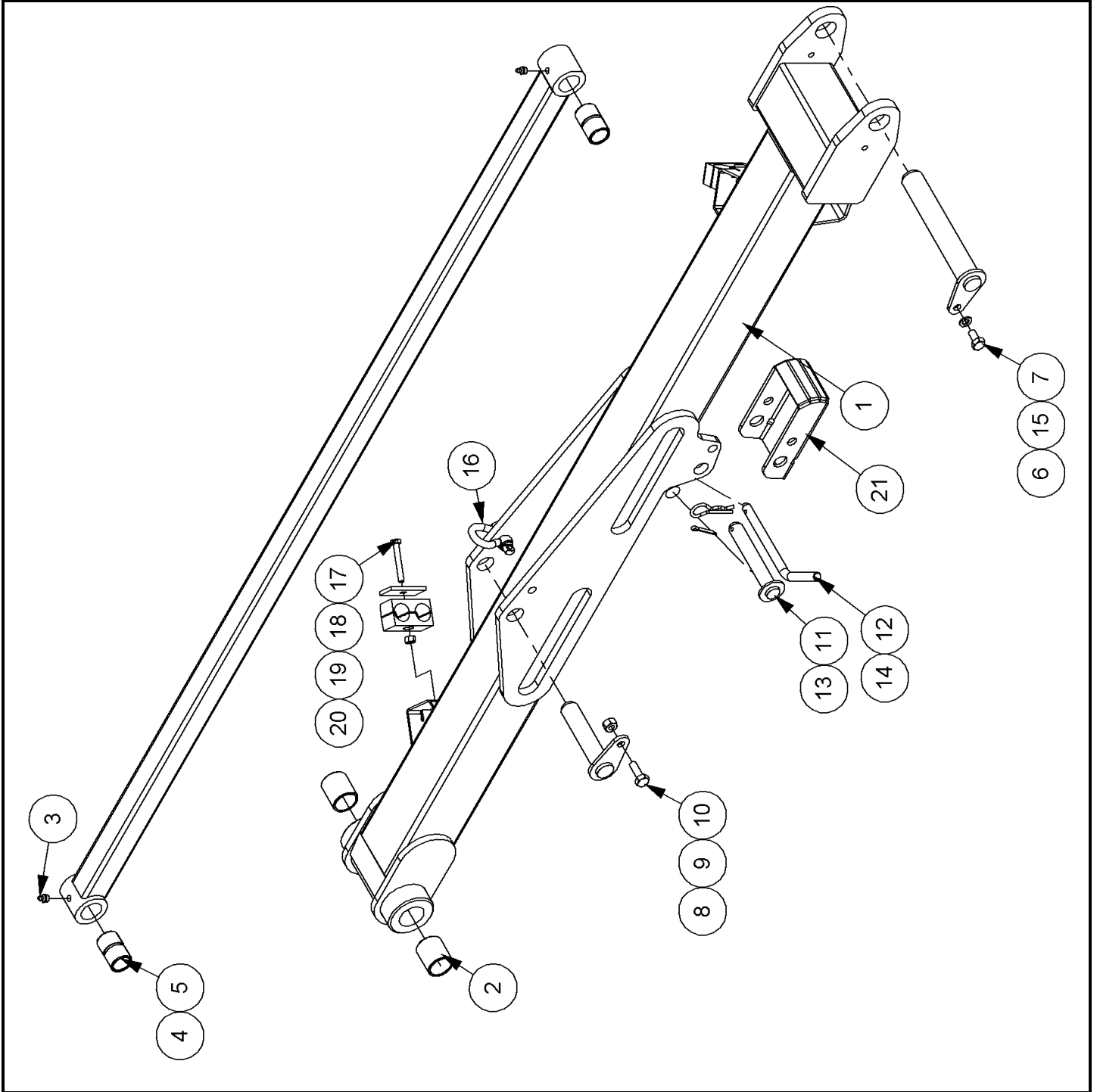
7434514 - ROCKER MODULE



7434514 - ROCKER MODULE

Ref	Part No	Description	Qty
1	41198.08	ROCKER	1
2	41268.02	PIN	2
3	41267.09	PIN	2
4	41267.03	PIN	1
5	9313075	SCREW	5
6	9313085	SCREW	1
7	9163005	NUT	6
8	22667.02	SLINGING EYE	1
9	43158.02	LOOP	1

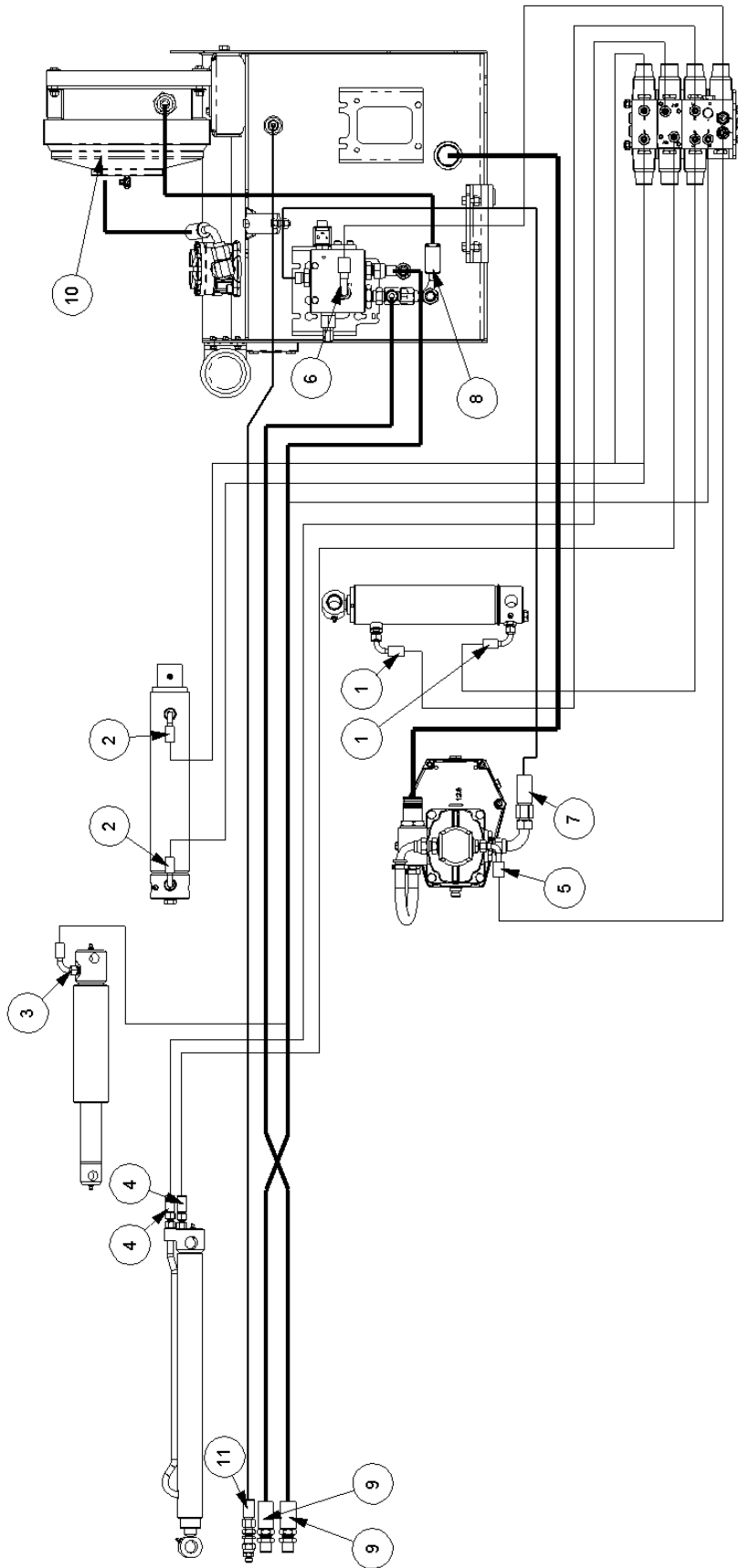
7434521 B - MAIN ARM MODULE



7434521 B - MAIN ARM MODULE

Ref	Part No	Description	Qty
1	41199.11	W/ASSY MAIN ARM	1
2	21149.01	BUSH	2
3	0901121	GREASER	3
4	22887.02	TENSION LINK W/ASSY	1
5	7105050	BUSH	2
6	41268.02	PIN	1
7	9313045	SCREW	1
8	9163005	NUT	1
9	41691.04	PIN	1
10	9313065	SCREW	1
11	43114.02	PIN	1
12	45297.02	PIN	1
13	9501326	PIN	1
14	0431105	PIN	1
15	9100205	WASHER	1
16	22668.02	SHACKLE	1
17	9213114	BOLT	2
18	06.418.03	PLATE	2
19	06.430.09	CLAMP PAIR	2
20	9163004	NUT	2
21	41199.60	TRANSPORT PROP	1

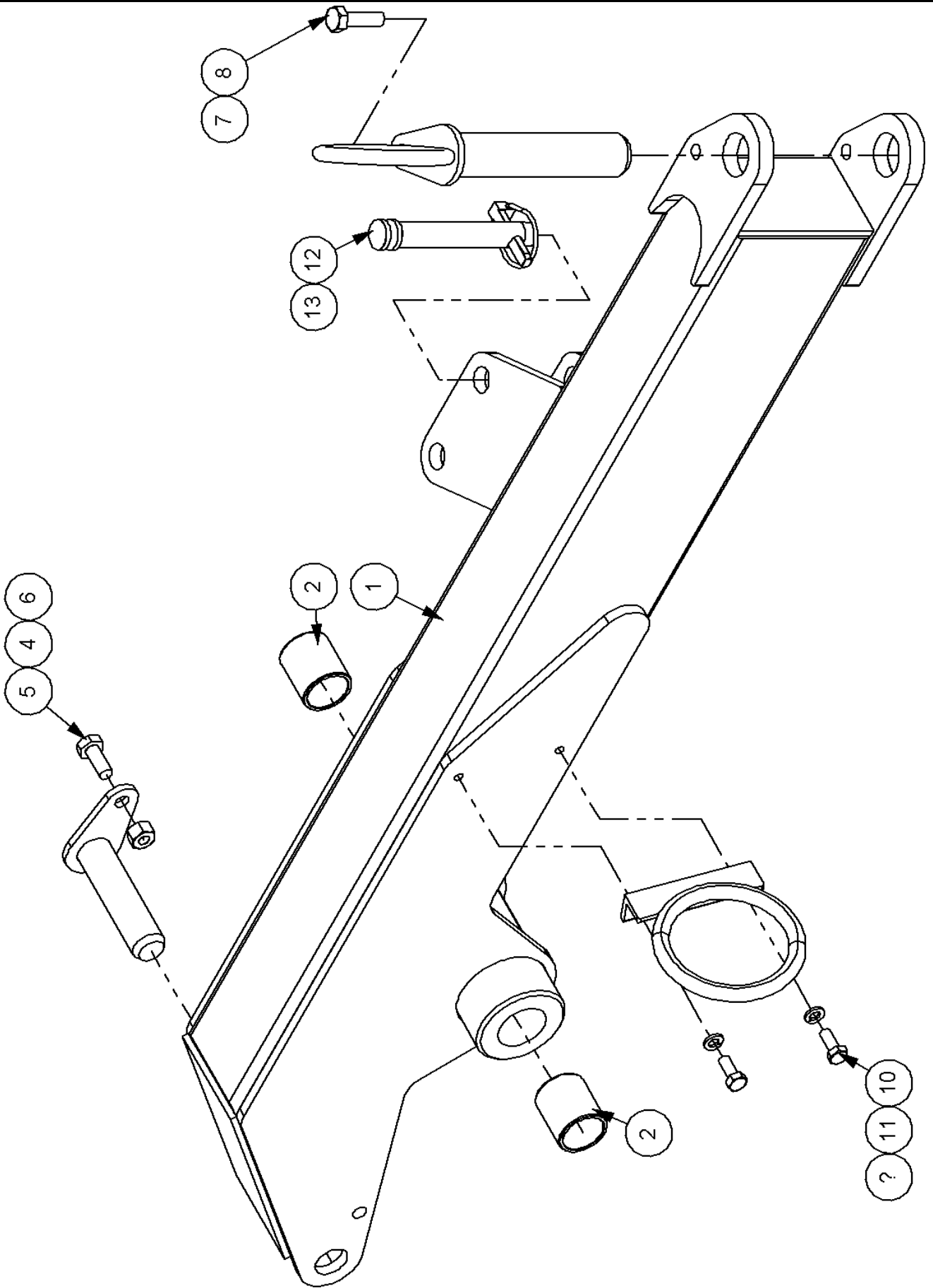
743452228 B - HOSE KIT



743452228 B - HOSE KIT

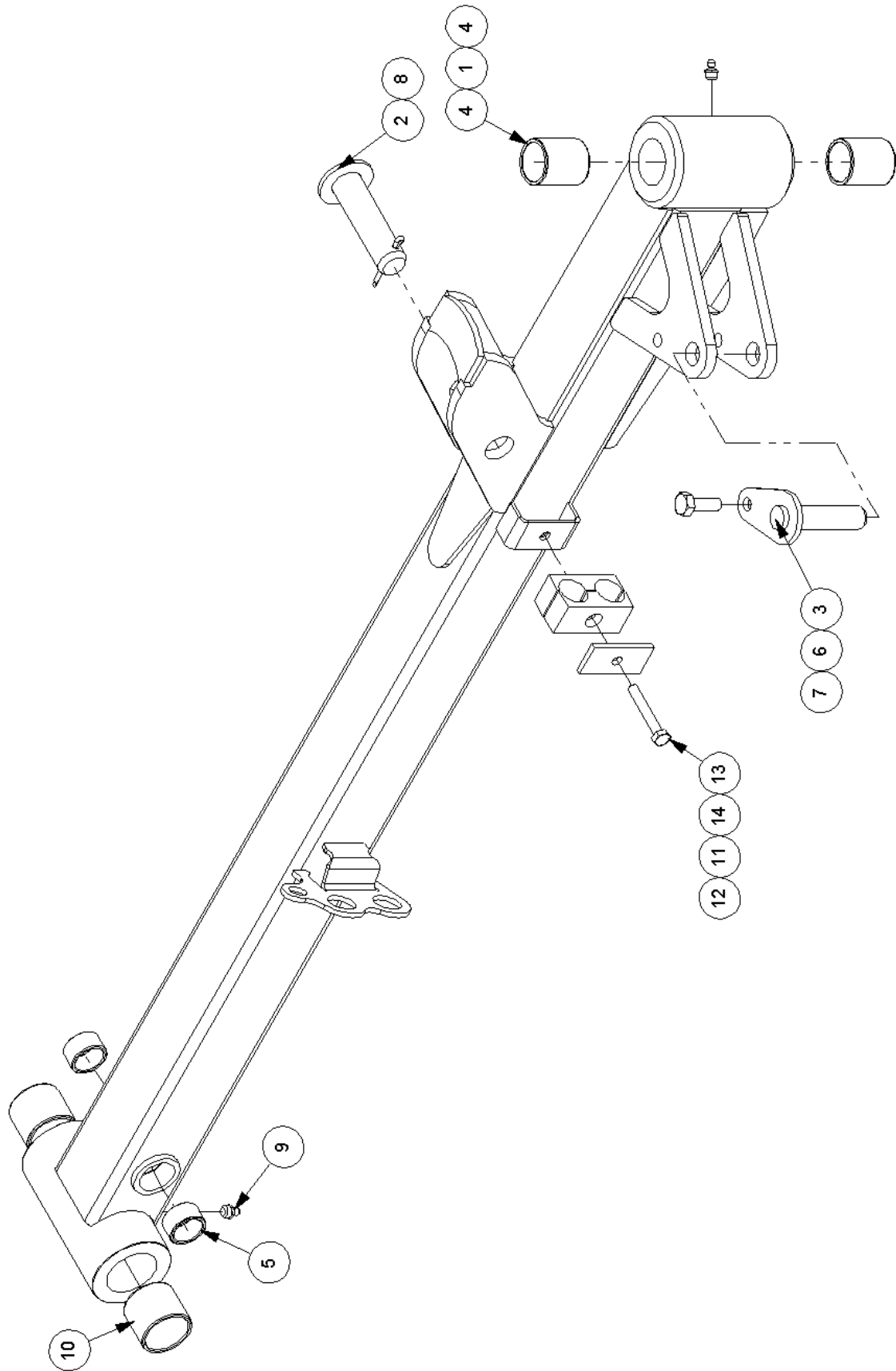
Ref	Part No	Description	Qty
1	10.002.19	HOSE	2
2	10.002.31	HOSE	2
3	10.002.52	HOSE	1
4	10.001.52	HOSE	2
5	10.004.14	HOSE	1
6	10.006.12	HOSE	1
7	10.008.22	HOSE	1
8	10.008.21	HOSE	1
9	10.081.54	HOSE	2
10	10.008.13	HOSE	1
11	10.003.52	HOSE	1

7434528 - DIPPER MODULE



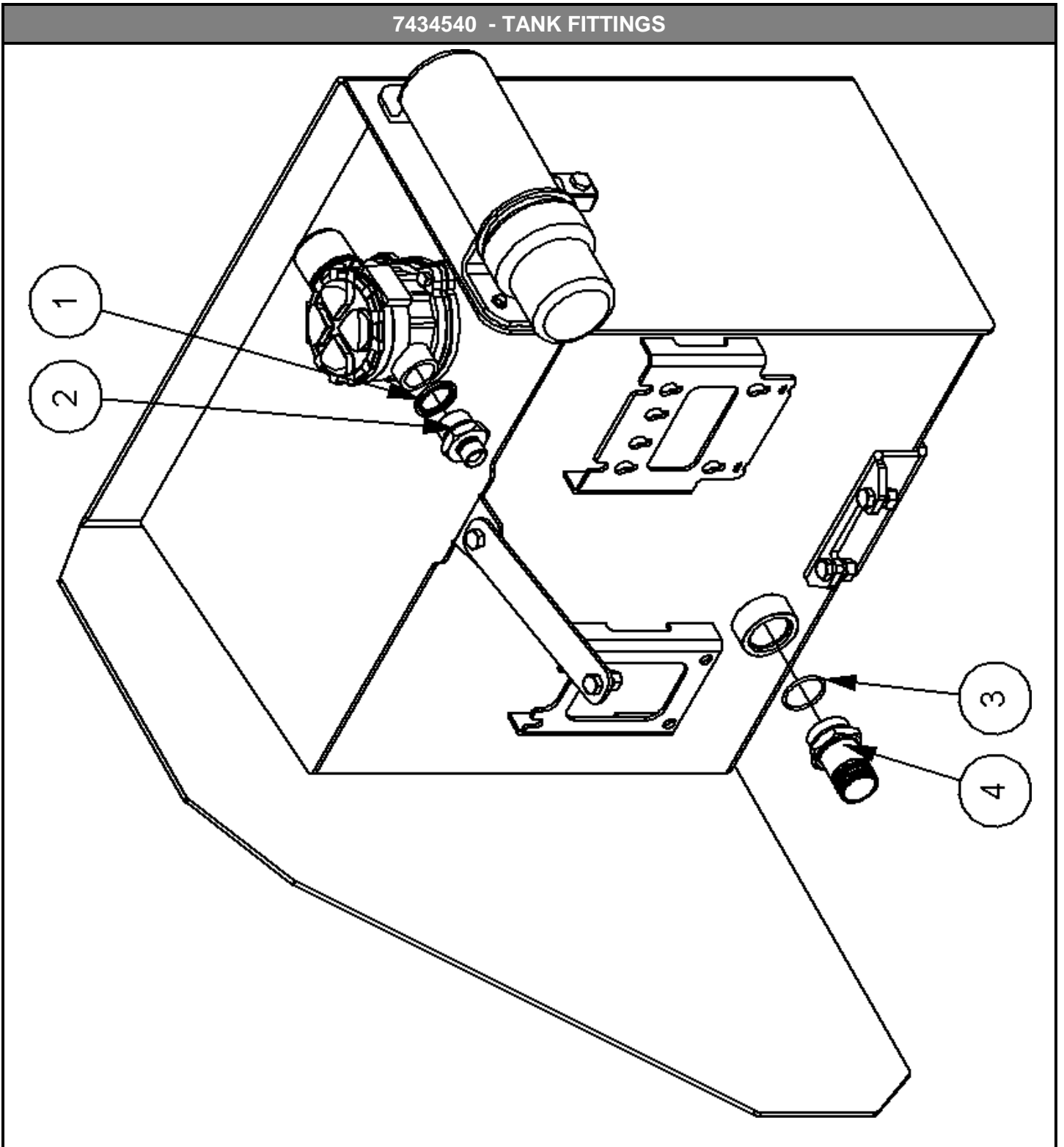
7434528 - DIPPER MODULE

Ref	Part No	Description	Qty
1	41201.09	W/ASSY DIPPER UPPER	1
2	21149.01	BUSH	2
3	0901121	GREASER	1
4	41267.05	PIN	1
5	9313055	SCREW	1
6	9163005	NUT	2
7	41269.01	PIN	1
8	9313075	SCREW	1
9	21844.02	HOSE LOOP	1
10	9313044	SCREW	2
11	9100204	WASHER	2
12	6310202	PIN	1
13	0431217	LINCH PIN	1



7434532 B - DIPPER MODULE LH

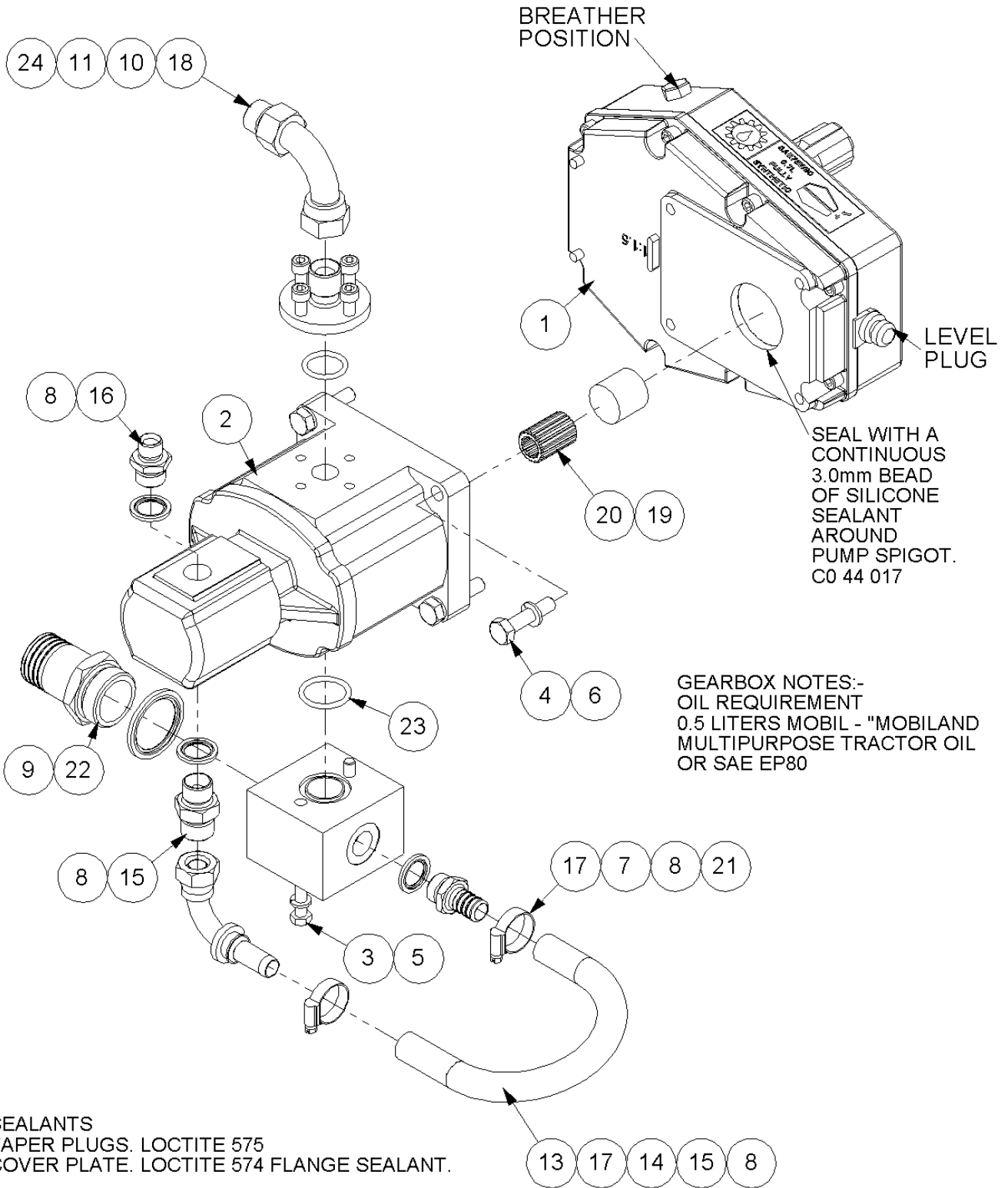
Ref	Part No	Description	Qty
1	41202.05	DIPPER ARM -LH	1
2	7191041	PIN	1
3	41270.01	PIN	1
4	21149.01	BUSH	2
5	7214060	BUSH	2
6	9313065	SCREW	1
7	9163005	NUT	1
8	9501406	PIN	1
9	0901121	GREASER	3
10	7213023	BUSH	2
11	06.430.09	CLAMP PAIR	1
12	9163004	NUT	1
13	9213114	BOLT	1
14	06.418.03	PLATE	1



7434540 - TANK FITTINGS

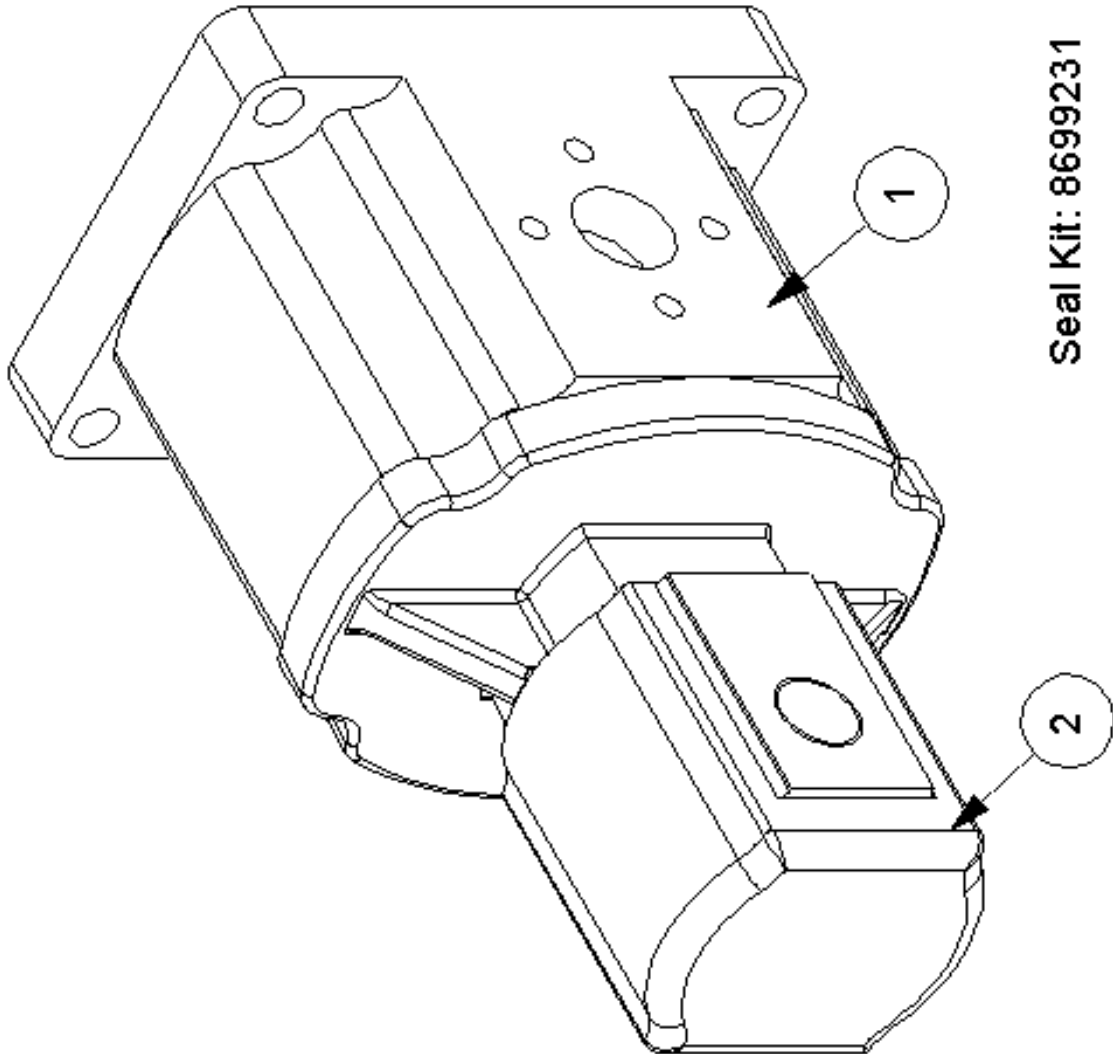
Ref	Part No	Description	Qty
1	8650108	SEAL	1
2	8581378	ADAPTOR	1
3	8700784	"O" RING	1
4	8581260	ADAPTOR	1

743454 B - PUMP AND GEARBOX ASS



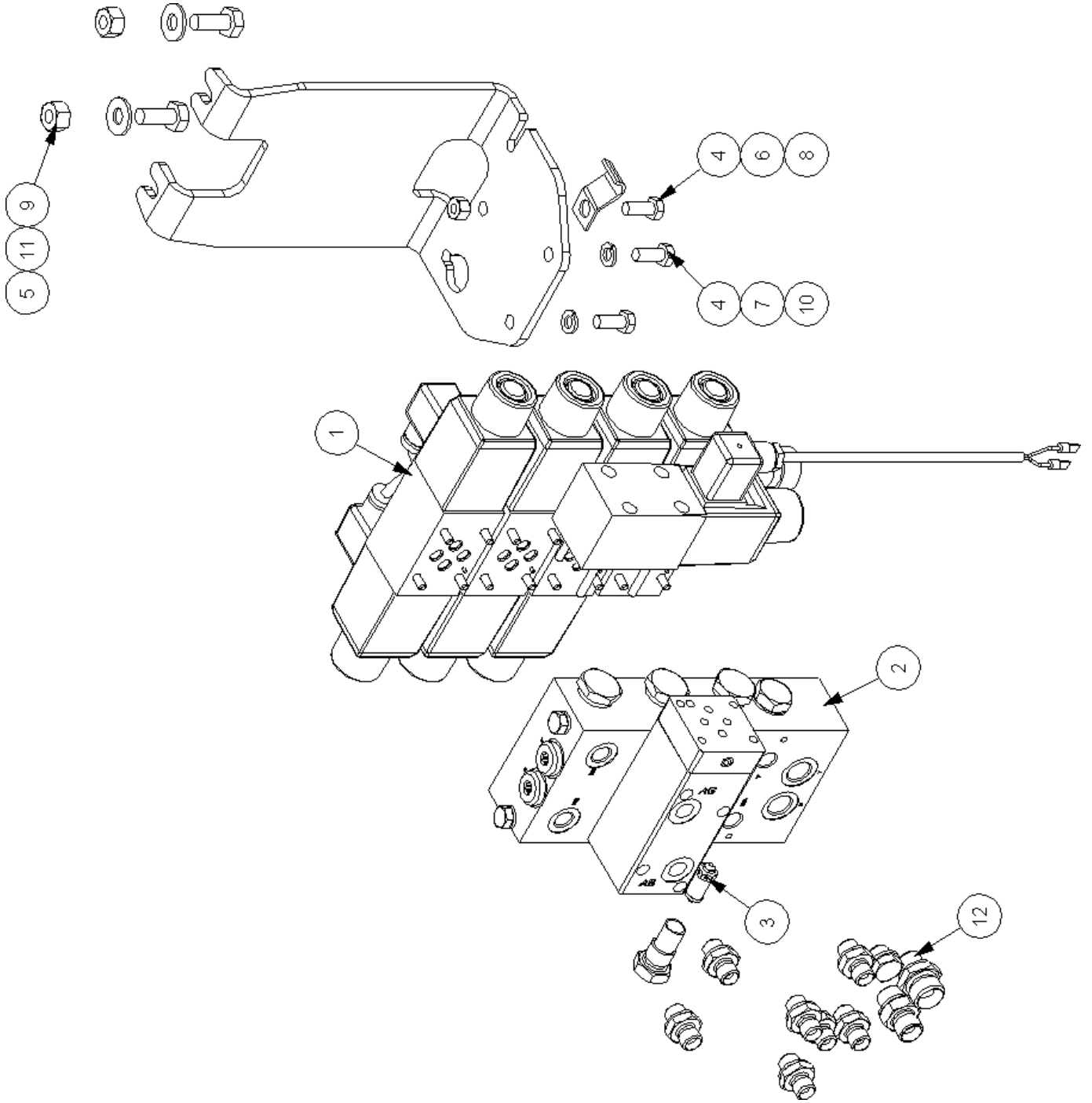
7434544 B - PUMP AND GEARBOX ASS

Ref	Part No	Description	Qty
1	8013570	GEARBOX 1.50 :1 RATIO 6SP	1
1	8501010	5/8" RUBBER HOSE 250LG	1
2	8201693	PUMP	1
3	9213144	BOLT	2
4	9213095	BOLT	4
5	9100204	WASHER	2
6	9100205	WASHER	4
7	8002059	CONNECTION	1
8	8650104	SEAL	3
9	8650109	SEAL	1
10	8013083	CONNECTION	1
11	9300147	SCREW	4
12	1290030	DECAL	1
14	8581173	ELBOW	1
15	G3812120	ADAPTOR	1
16	6000112	ADAPTOR	1
17	0904204	CLIP	2
18	8581565	ADAPTOR	1
19	42415.02	SPACER	1
20	8013097	ADAPTOR	1
21	8581577	BLOCK	1
22	8581260	ADAPTOR	1
23	8600122	"O" RING	1
24	8600119	"O" RING	1



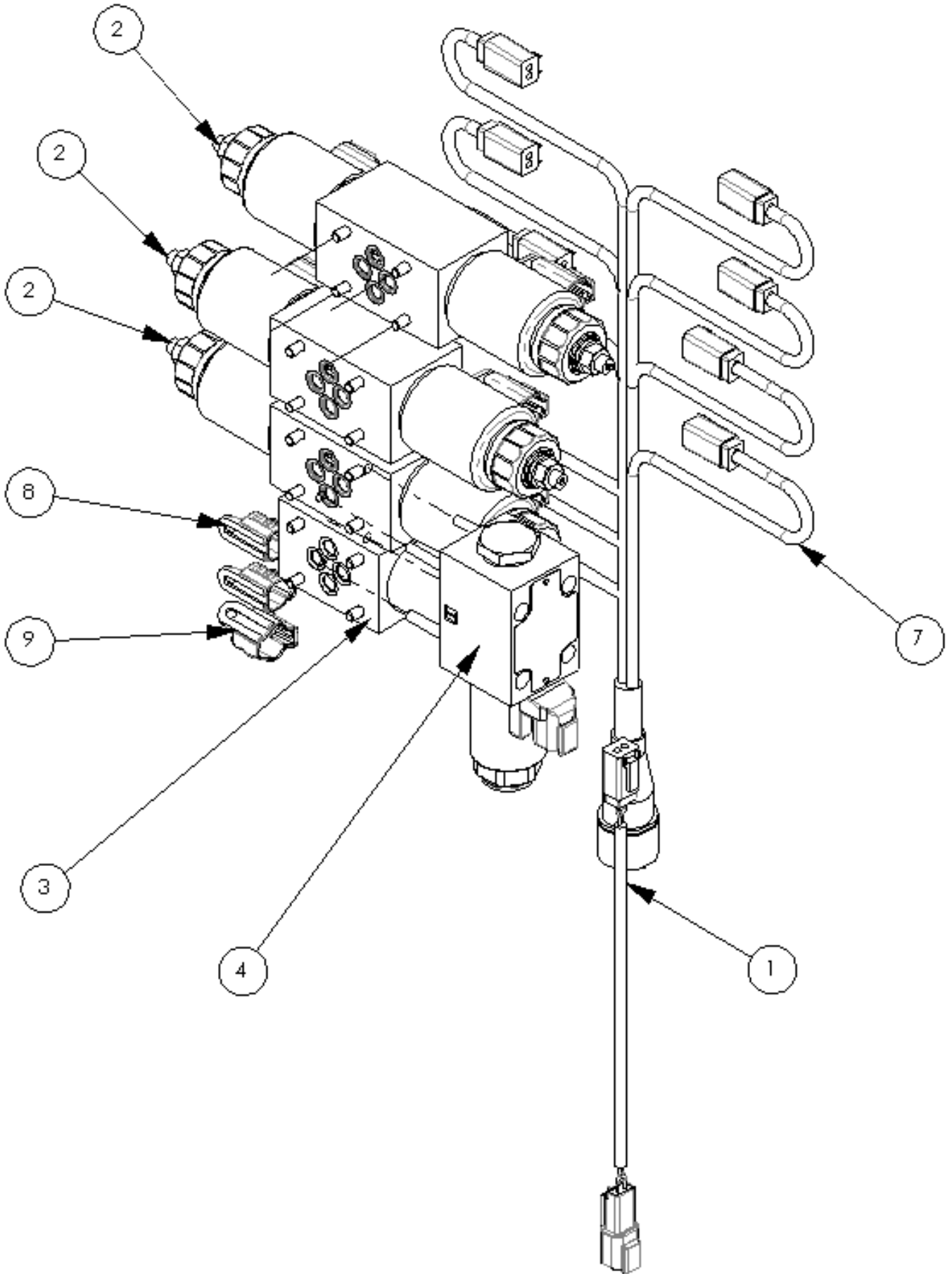
Seal Kit: 8699231

743457 B - ACV ASSY



7434557 B - ACV ASSY

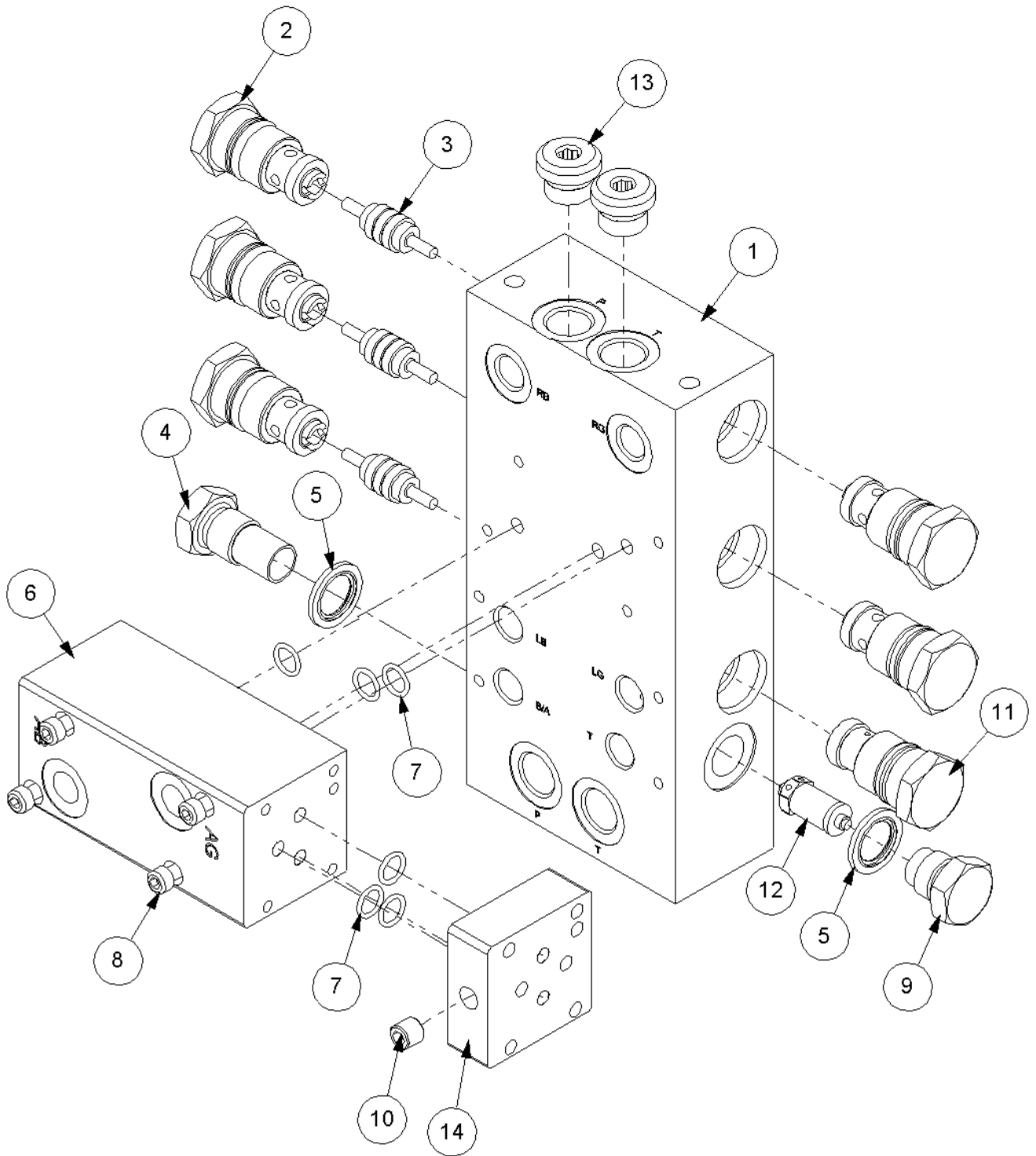
Ref	Part No	Description	Qty
1	22525.57	SOLENOID	1
2	22523.20	MANIFOLD ASSY	1
3	8130029	VALVE	1
4	9313044	SCREW	5
5	9313055	SCREW	2
6	7109151	CLAMP	1
7	9100204	WASHER	4
8	9163004	NUT	1
9	9163005	NUT	2
10	41196.57	VALVE MTG PLATE	1
11	9100105	WASHER	2
12	22524.48	ADAPTOR KIT	1



22525.57 D - SOLENOID

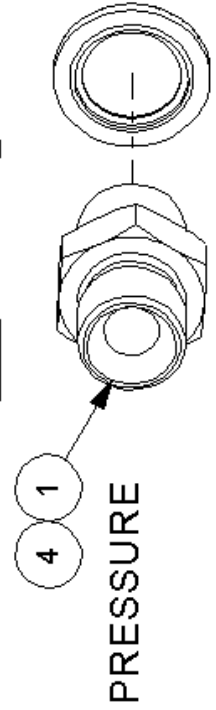
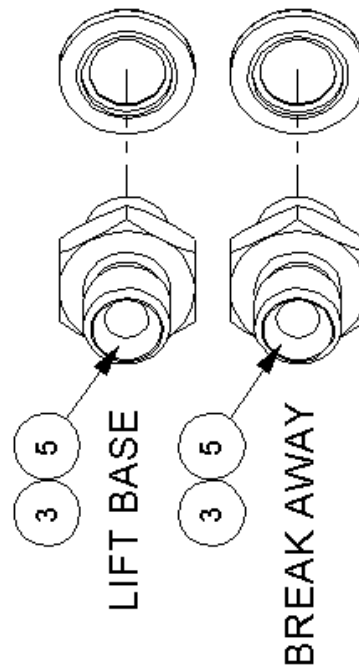
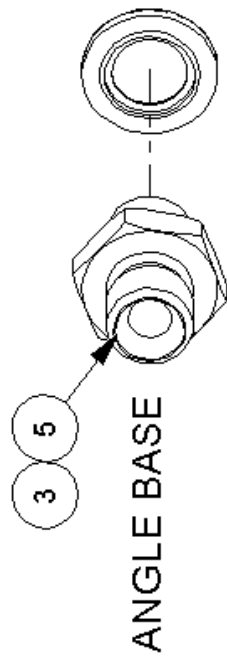
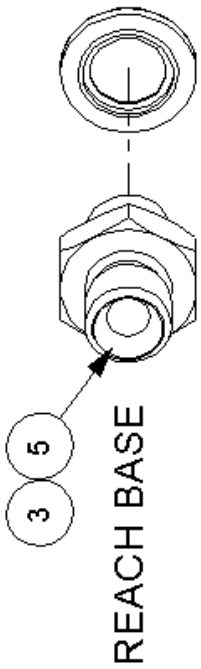
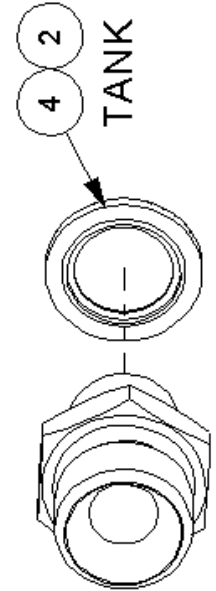
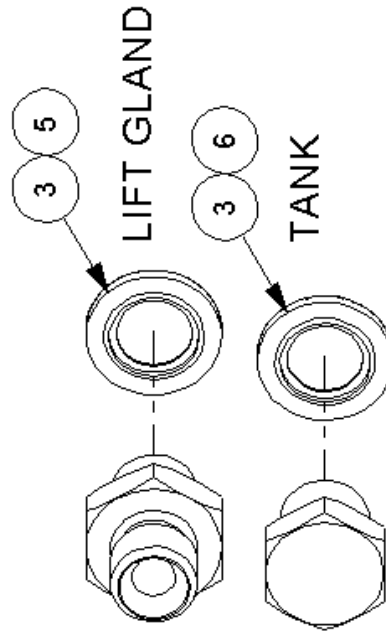
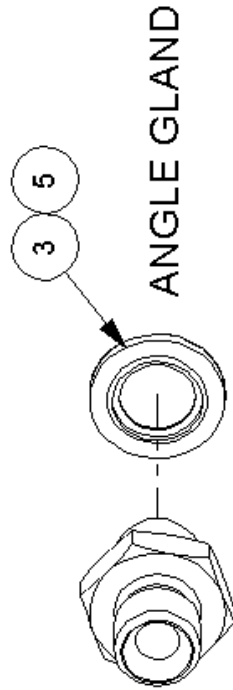
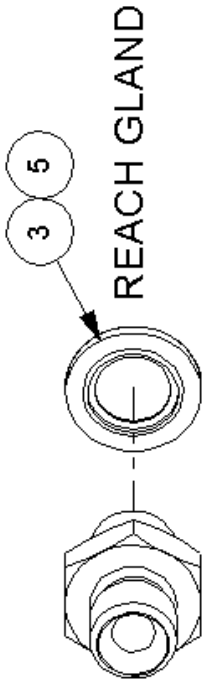
Ref	Part No	Description	Qty
1	41844.34	LOOM ANGLE FLOAT DT CONNECTOR	1
2	23550.11	PROP DCV	3
3	23550.13	VALVE	1
4	23550.15	DCV	1
7	41844.32	Kabel 26 cor / 28 plug	1
8	45594.41	SEALING CAP	1
9	45594.42	SEALING CAP	1
22	23550.18	TOOL - MANUAL SOL. OPERATION	1

22523.20 - MANIFOLD ASSY



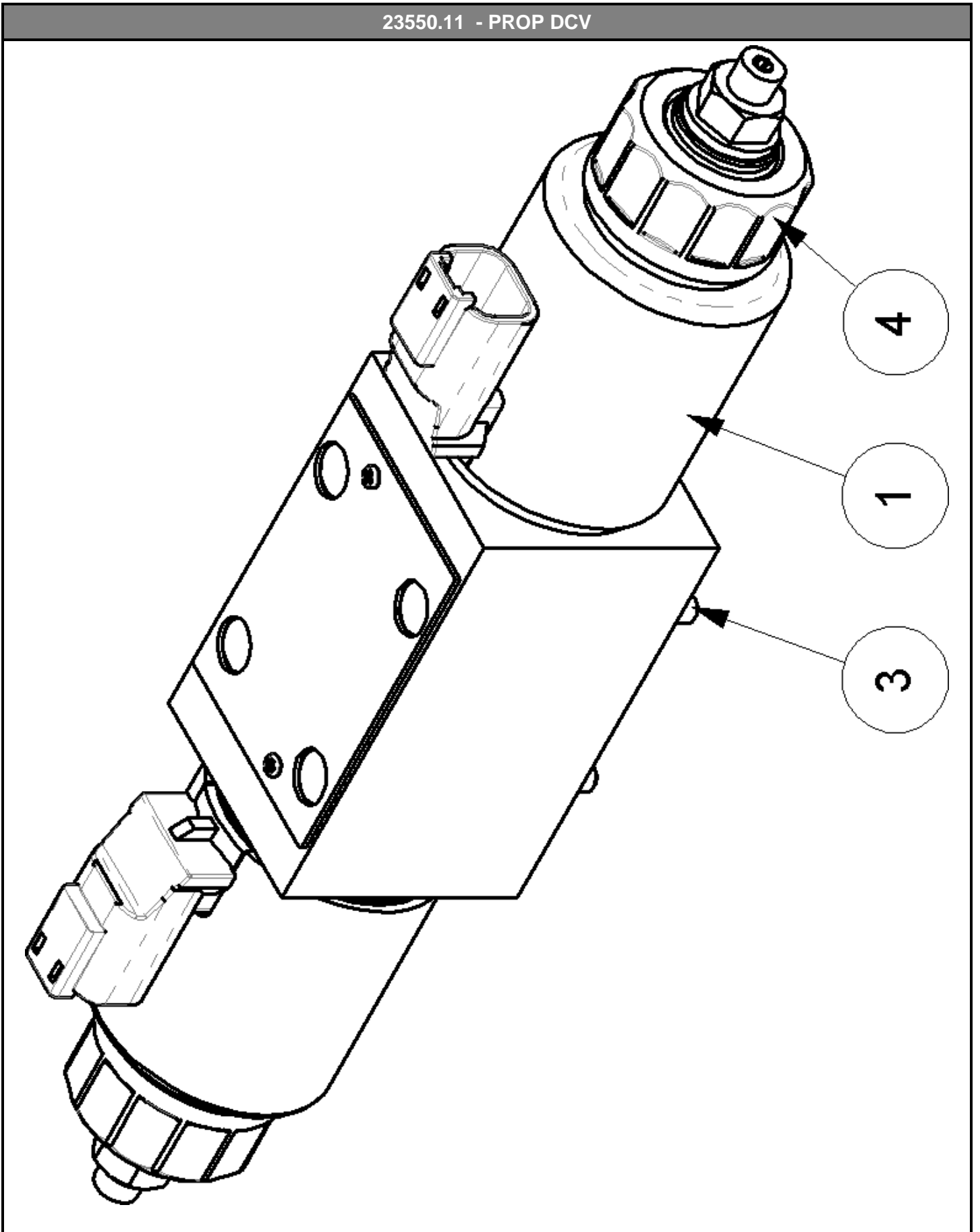
22523.20 - MANIFOLD ASSY

Ref	Part No	Description	Qty
1	8132309	MANIFOLD 3 BANK	1
2	8130090	VALVE	5
3	8130087	ACTUATOR	3
4	8130032	CAP	1
5	8650103	SEAL	2
6	8126333	BLOCK	1
7	8700511	"O" RING	6
8	9243082	SCREW	4
9	8130031	CAP	1
10	8582041	PLUG	2
11	8130354	VALVE	1
12	8130164	VALVE	1
13	8581436	ADAPTOR	2
14	8126334	PLATE	1



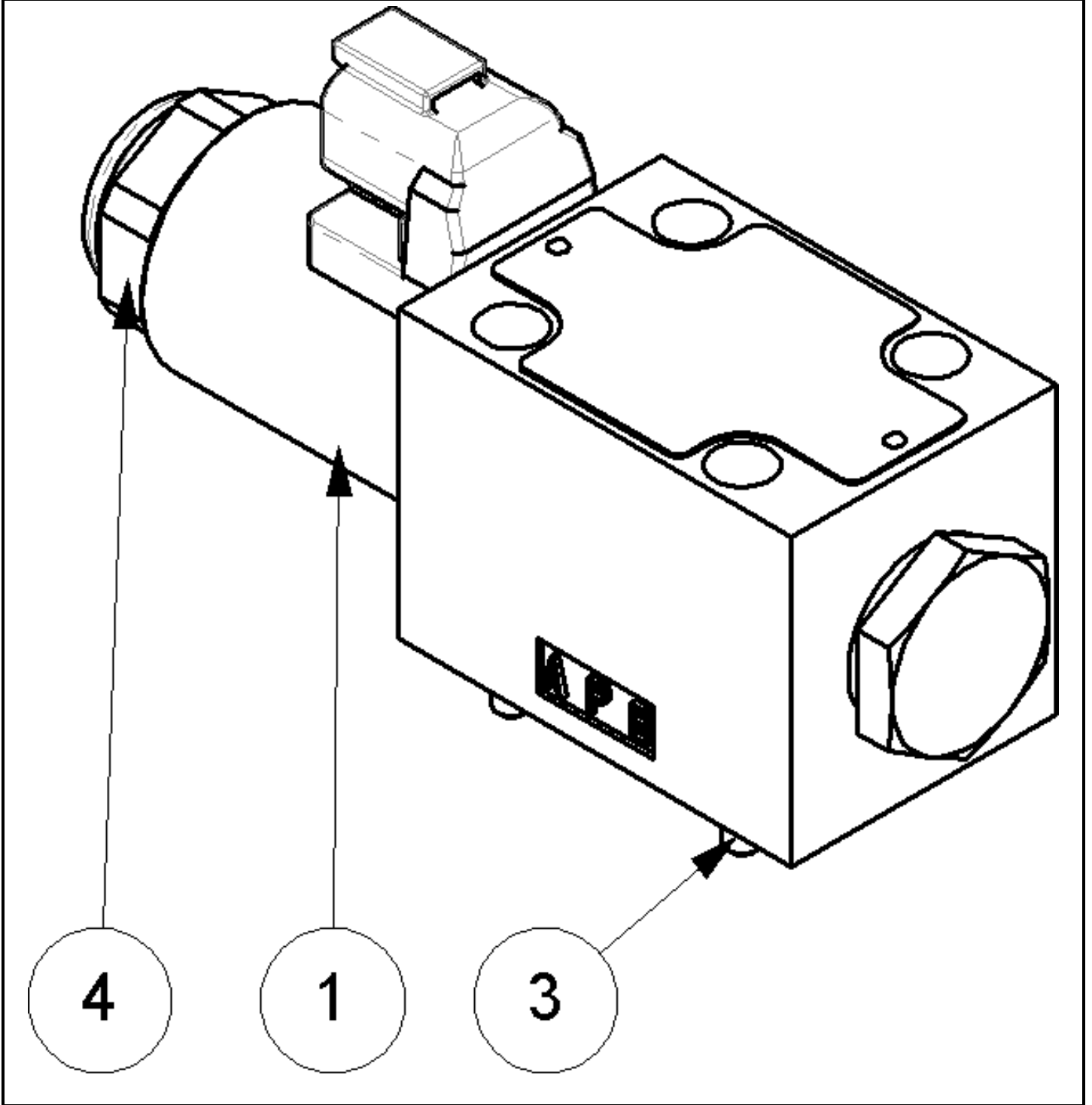
22524.48 B - ADAPTOR KIT

Ref	Part No	Description	Qty
1	6000113	ADAPTOR	1
2	6000112	ADAPTOR	1
3	8650102	SEAL	8
4	8650103	SEAL	2
5	8581169	ADAPTOR	7
6	520378	ADAPTOR	1



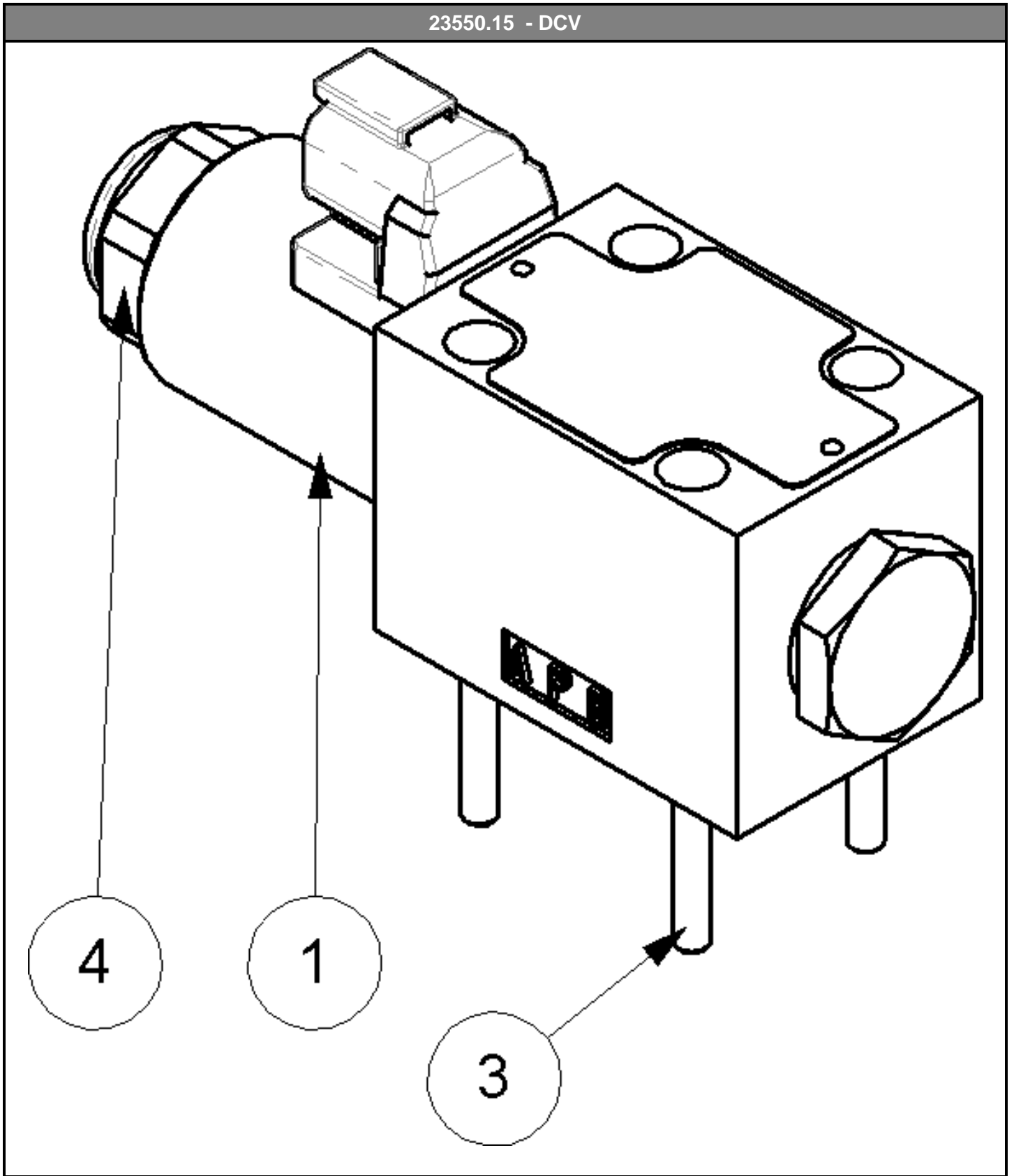
23550.11 - PROP DCV

Ref	Part No	Description	Qty
1	23550.37	PROP COIL	2
2	23550.32	SEAL KIT	1
3	9200076	CAP SCREW	4
4	23550.35	COIL NUT	2



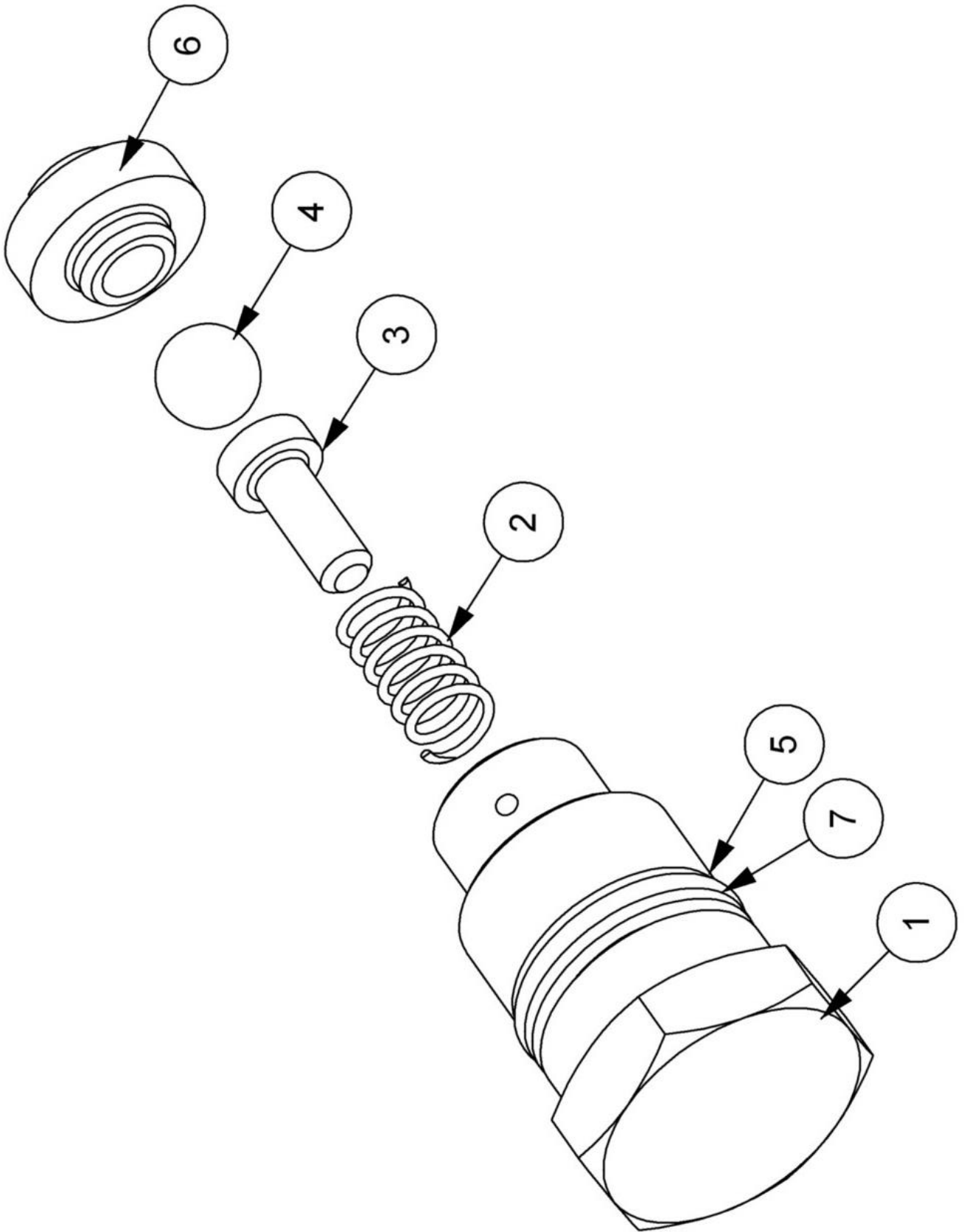
23550.13 - VALVE

Ref	Part No	Description	Qty
1	23550.38	COIL	1
2	23550.34	SEAL KIT	1
3	9200077	CAP SCREW	4
4	23550.36	COIL NUT	1



23550.15 - DCV

Ref	Part No	Description	Qty
1	23550.38	COIL	1
2	23550.34	SEAL KIT	1
3	9200078	CAP SCREW	4
4	23550.36	COIL NUT	1

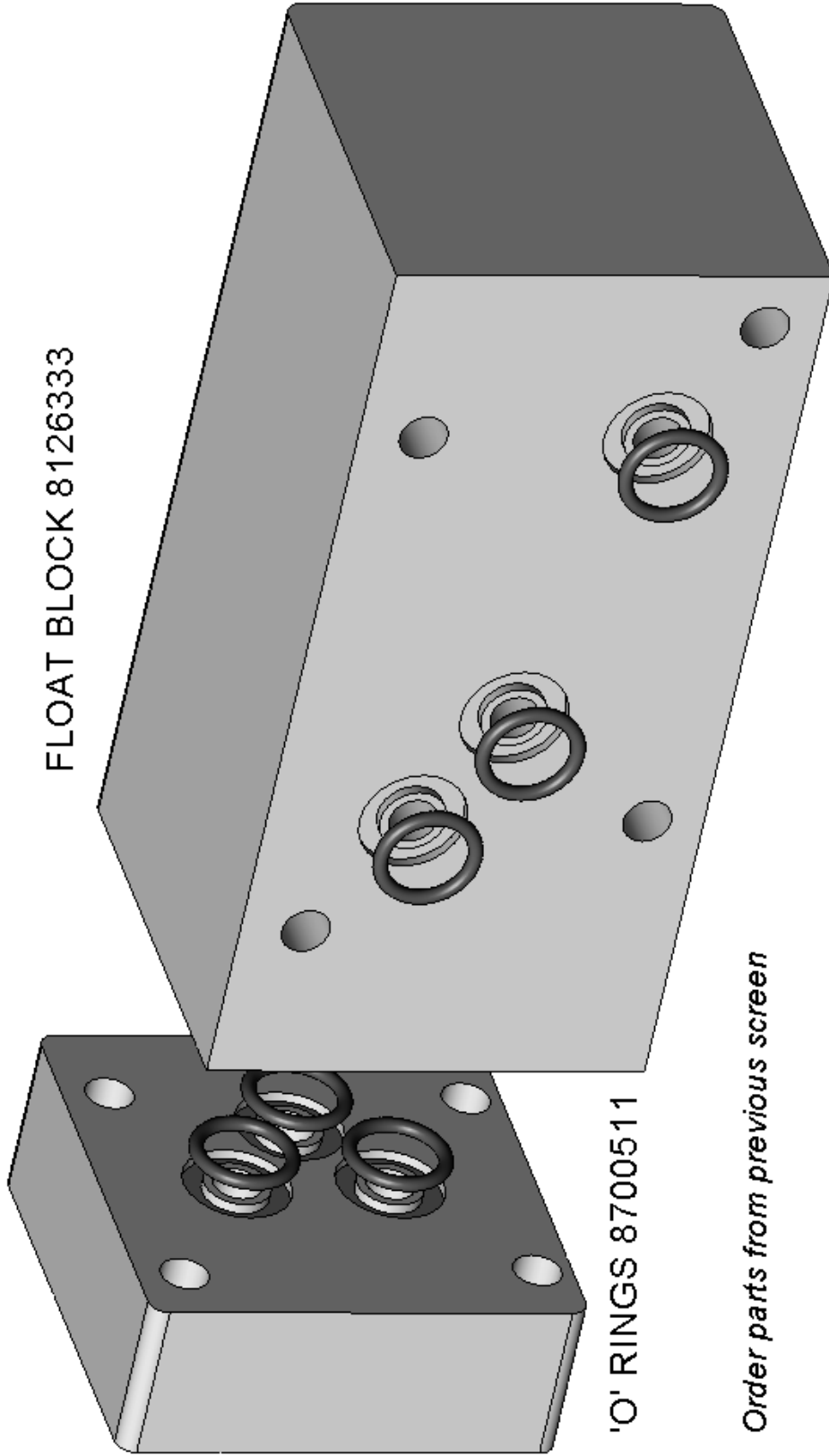


8130090 - VALVE

Ref	Part No	Description	Qty
1	8130025	CAP	1
2	8114045	SPRING	1
3	8130089	GUIDE	1
4	0905509	BALL	1
5	8700644	"O" RING	1
6	8130088	SEAT	1
7	8709644	ANTI.EXT.RING	1

BRIDGING PLATE 8126334

FLOAT BLOCK 8126333



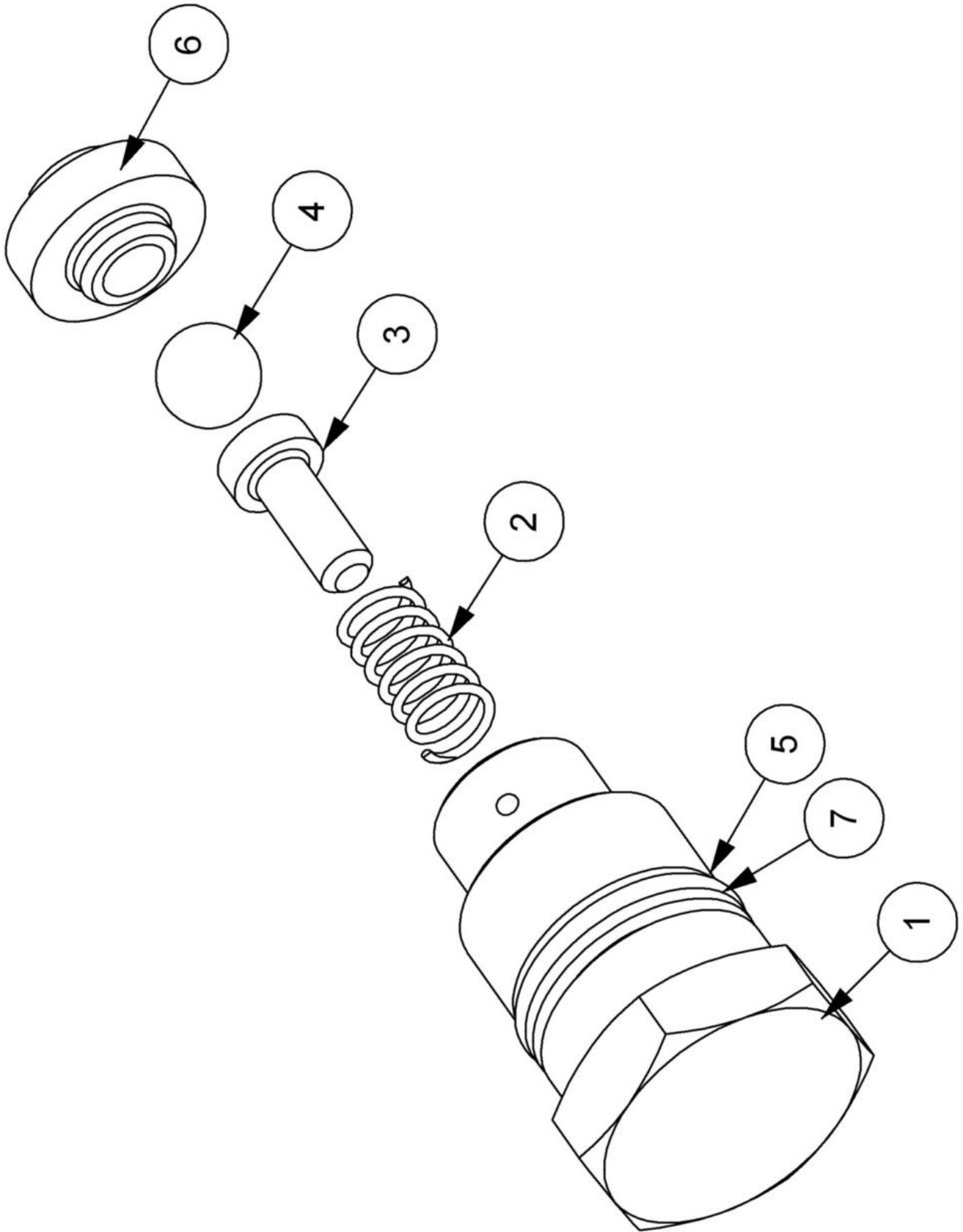
'O' RINGS 8700511

Order parts from previous screen

IDENTIFICATION & LOCATION OF 'O' RINGS

8126333 - BLOCK

Ref	Part No	Description	Qty
1	0036	BRIGHT SQUARE	116

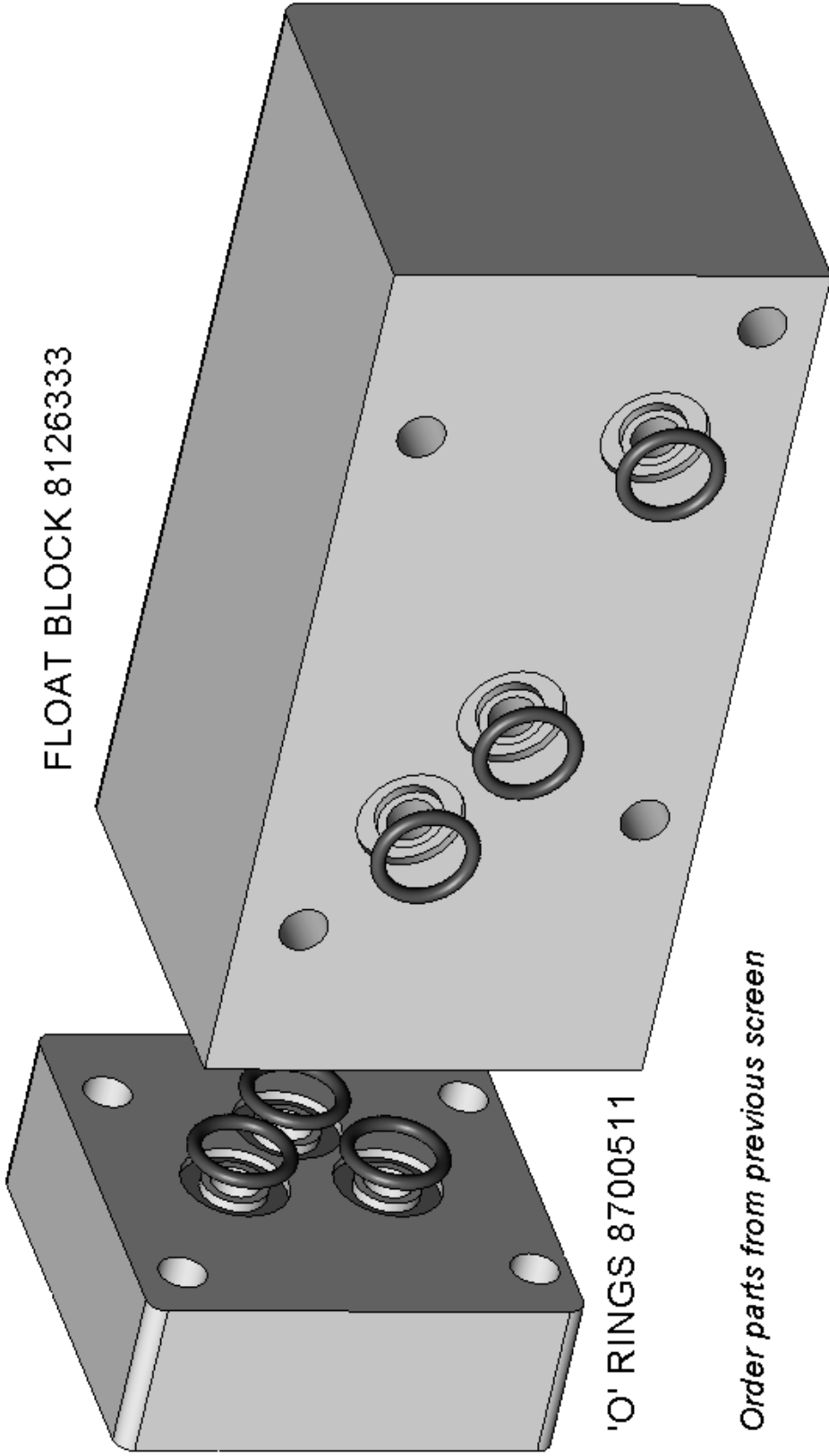


8130354 - VALVE

Ref	Part No	Description	Qty
1	8130209	CAP	1
2	8114045	SPRING	1
3	8130089	GUIDE	1
4	0905509	BALL	1
5	8700644	"O" RING	1
6	8130088	SEAT	1
7	8709644	ANTI.EXT.RING	1

BRIDGING PLATE 8126334

FLOAT BLOCK 8126333



'O' RINGS 8700511

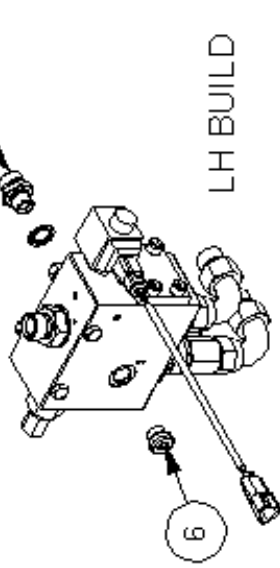
Order parts from previous screen

IDENTIFICATION & LOCATION OF 'O' RINGS

8126334 - PLATE

Ref	Part No	Description	Qty
1	0036	BRIGHT SQUARE	26

IF REQUIRED,
FOR LH BUILDS SWAP
POSITION OF ITEMS 6
WITH ITEMS 5 & 7

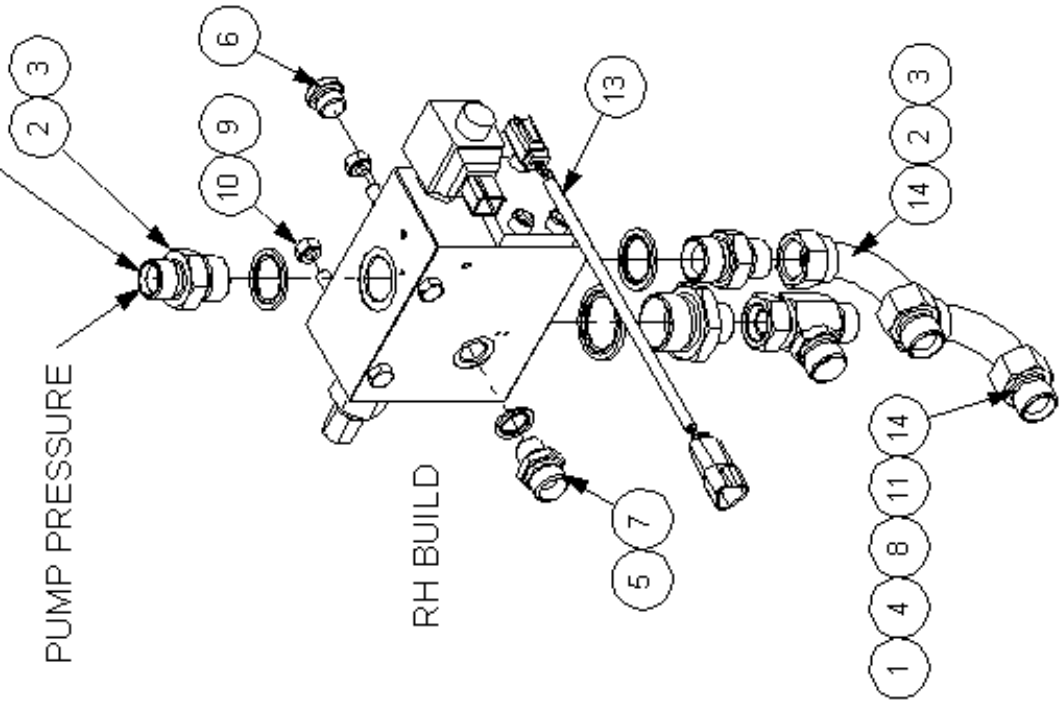


LH BUILD

RH BUILD:
SAME BOM AS 7434578
WHICH IS LH BUILD

FIT SWEPT 90° END OF HOSE
TO THIS ADAPTER

PUMP PRESSURE

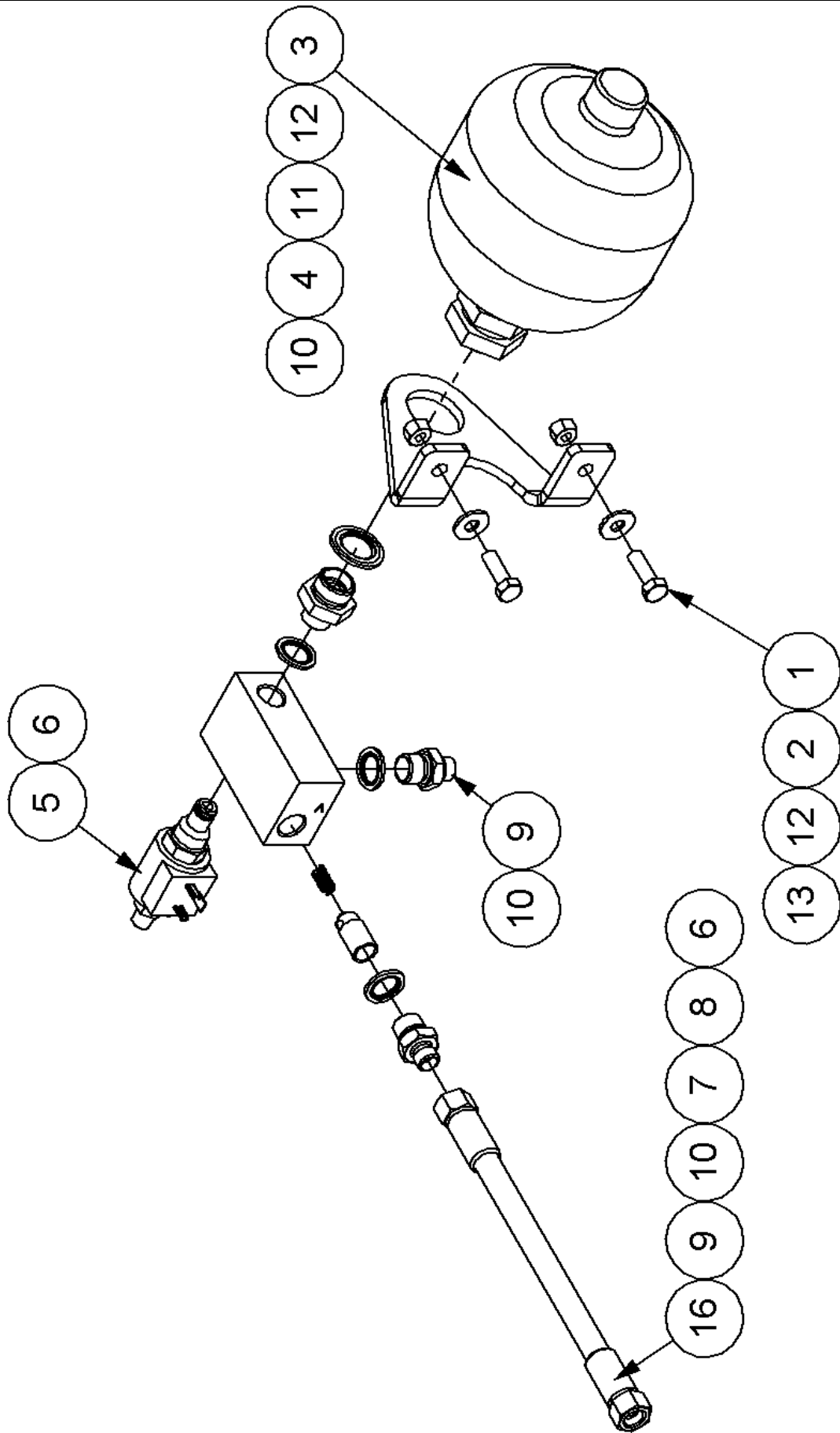


RH BUILD

ASSEMBLE RH BUILD SHOWN

7434568 F - RCV ON/OFF

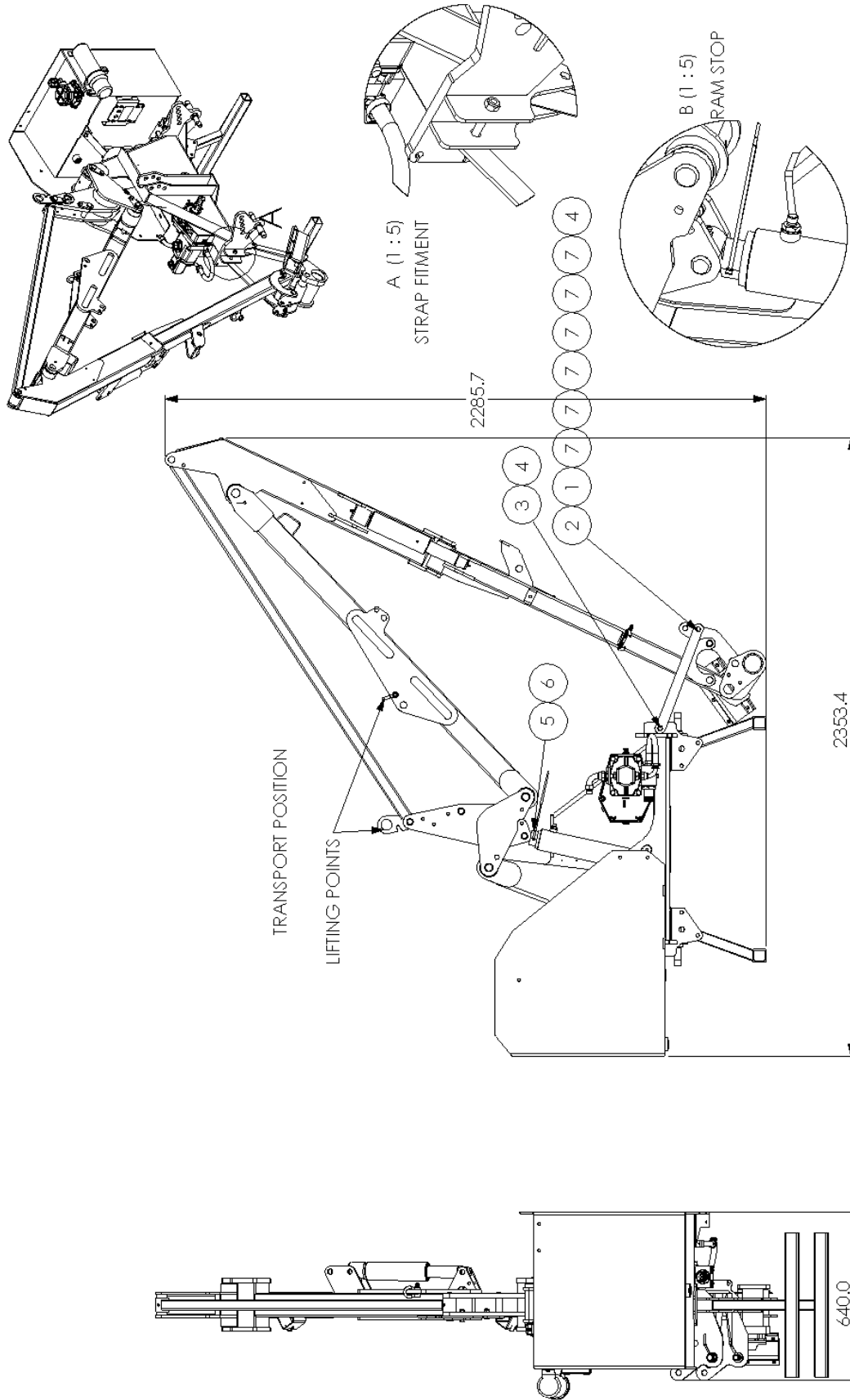
Ref	Part No	Description	Qty
1	23741.01	RELIEF VALVE / DIVERTER	1
2	8581270	ADAPTOR	2
3	8650106	SEAL	2
4	8650108	SEAL	1
5	8650103	SEAL	1
6	8581436	ADAPTOR	1
7	6000112	ADAPTOR	1
8	8581378	ADAPTOR	1
9	9213164	BOLT	2
10	9163004	NUT	2
11	8581460	ADAPTOR	1
13	41844.57	RCV LOOM ON/OFF DT	1
14	8581565	ADAPTOR	2



7434571 - LIFT FLOAT KIT - CABLE +

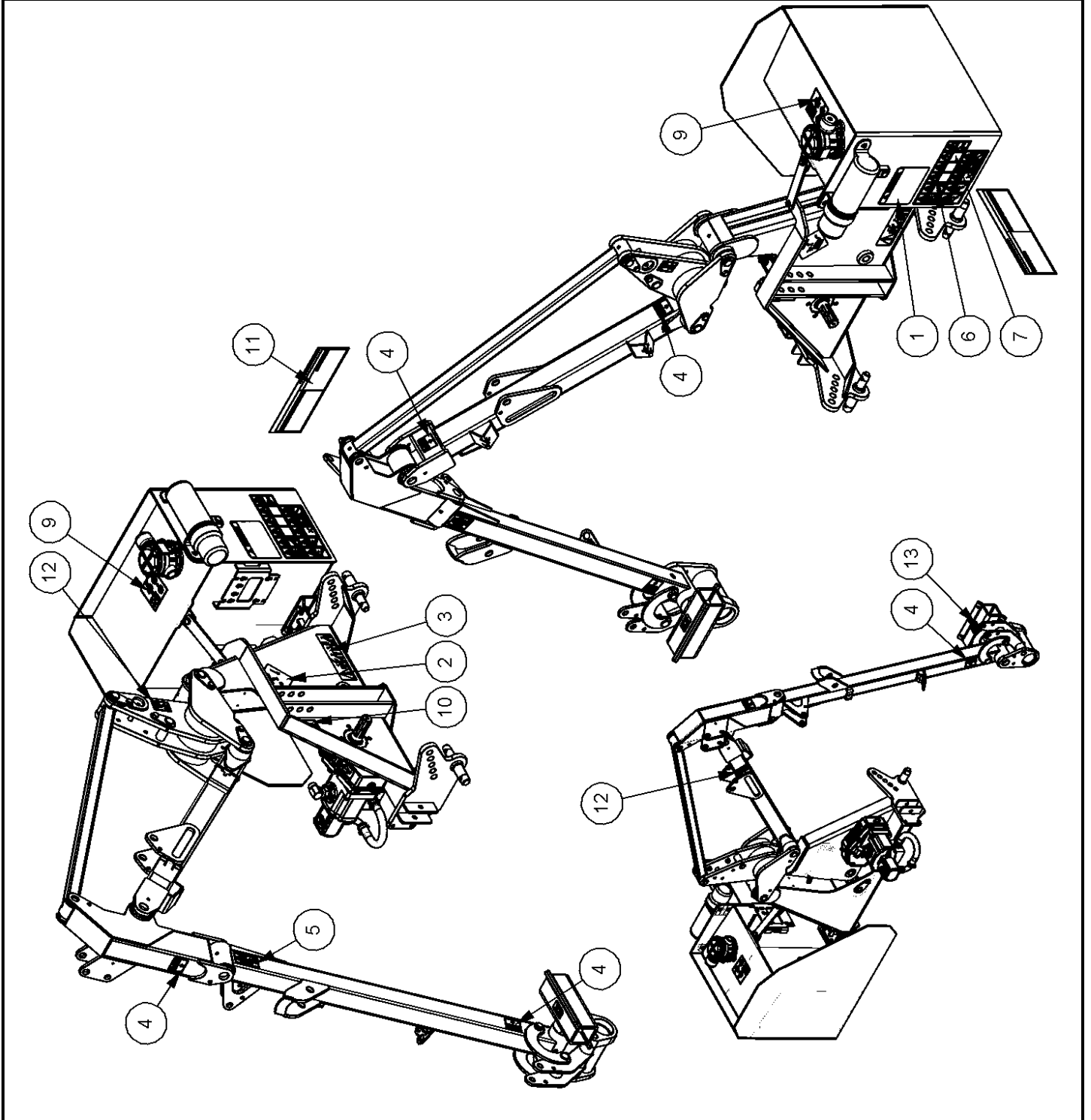
Ref	Part No	Description	Qty
1	9313054	SCREW	2
2	9100104	WASHER	2
3	8126042	ACCUMULATOR	1
4	G2410380	ADAPTOR	1
5	8130183	VALVE	1
8130183 - VALVE			
Ref	Part No	Description	Qty
1	22677.36	COIL	1
6	8126287	BLOCK	1
7	8126037	PISTON	1
8	8116011	SPRING	1
9	8581115	ADAPTOR	2
10	8650103	SEAL	3
11	8650322	SEAL	1
12	22852.52	BRACKET	1
13	9163004	NUT	2
14	8402159	HARNESS	1
15	1290061	DECAL	1
16	10.001.10	HOSE	1

7434576 E - PACKING KIT



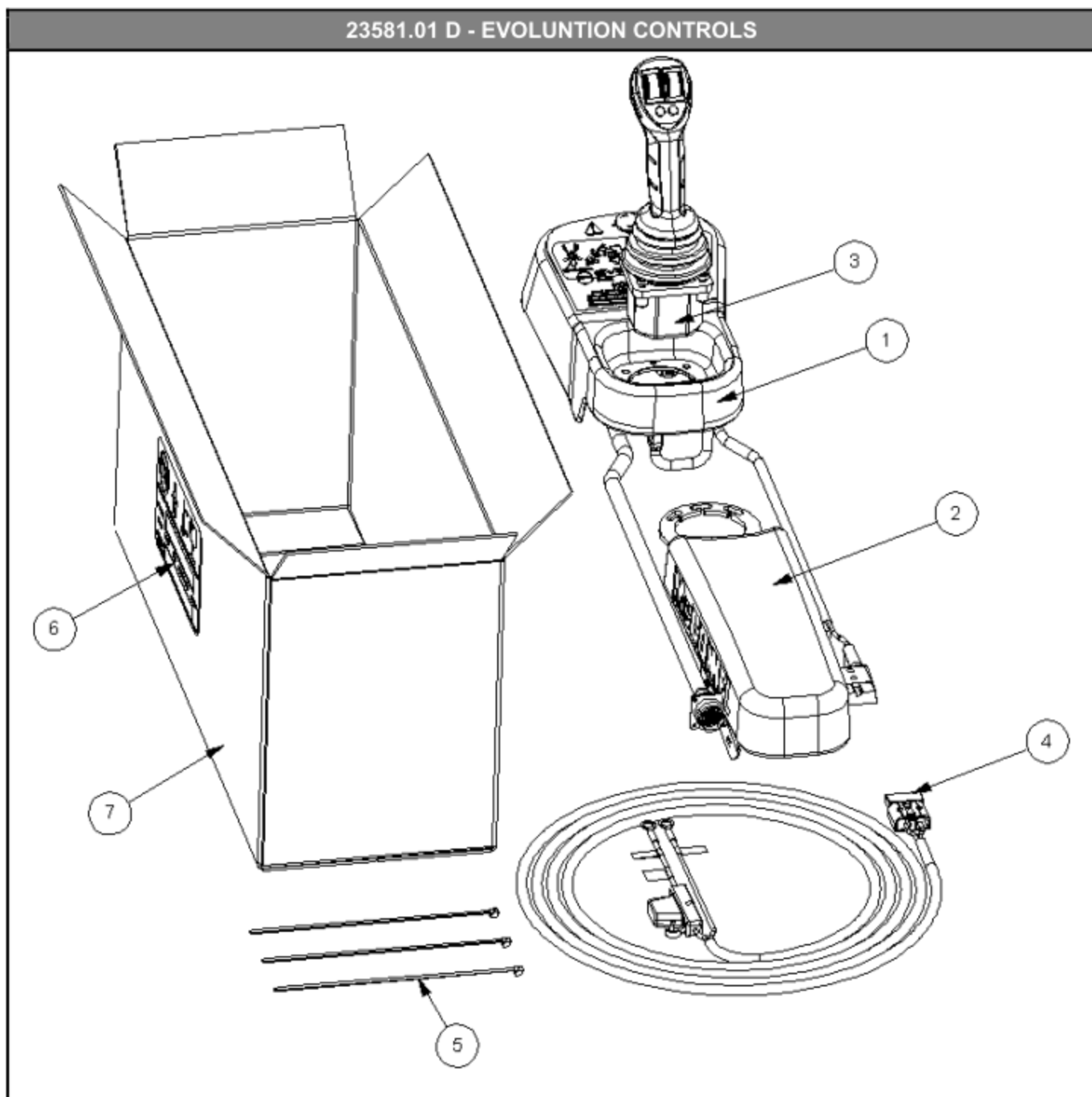
7434576 E - PACKING KIT

Ref	Part No	Description	Qty
1	22852.53	PACKING STRAP	1
2	9313095	SETSCREW	1
3	9213145	BOLT	1
4	9163005	NUT	2
5	22852.59	ANGLE	1
6	7196045	HOSE TIE	1
7	9100105	WASHER	6



7434582 - BASIC STICKER KIT

Ref	Part No	Description	Qty
1	00756494	DECAL	1
2	7105130	DECAL	1
3	7135295	DECAL	1
4	02962764	DECAL	6
5	1290746	DECAL	1
6	09.821.35	DECAL	1
7	09.821.28	DECAL	1
8	09.821.32	DECAL	1
9	1290774	DECAL	1
10	23832.05	DECAL-1000 PTO MAX CW	1
11	1290352	DECAL	1
12	09.843.05	DECAL	2
13	21917.06	DECAL	1

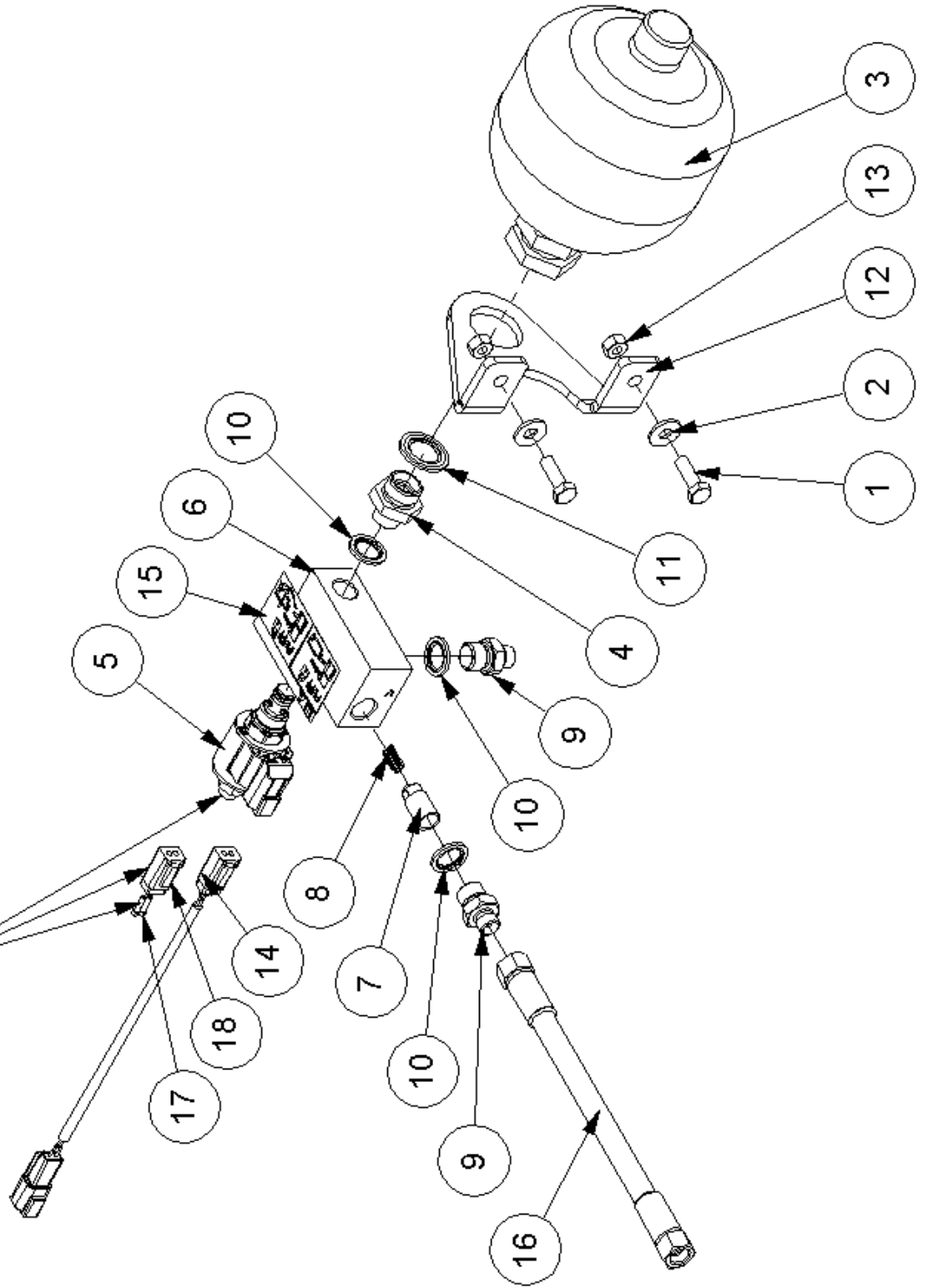


23581.01 D - EVOLUTION CONTROLS

Ref	Part No	Description	Qty
1	23581.12	EVOLUTION	1
2	23581.21	NEXT GEN ARM REST	1
3	22991.30	JOYSTICK - REVOLUTION	1
4	8402237	LOOM	1
5	22342.02	CABLE TIE	3
6	1290717	DECAL	1
7	8402702	WATERPROOF PACKING	1

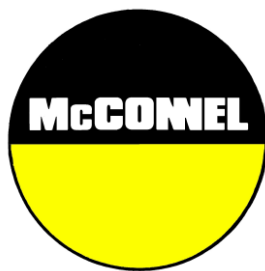
FOR USE ON NON-ELECTRIC MACHINES,
 OMIT LOOM AND OPERATE USING OVER
 RIDE BUTTON ON POPPET VALVE.
 ENSURE CONNECTOR AND SEALING
 PLUGS ARE FITTED.

OPTIONAL SWITCH KIT 8402448



8126376 - LIFT FLOAT KIT-PA3430/4330 BSP

Ref	Part No	Description	Qty
1	9313054	SCREW	2
2	9100104	WASHER	2
3	8126042	ACCUMULATOR	1
4	G2410380	ADAPTOR	1
5	8130223	NC POPPET VALVE	1
8130223 - NC POPPET VALVE			
Ref	Part No	Description	Qty
1	8130220	COIL FOR 8130223	1
2	8130221	VALVE FOR 8130223	1
3	8130222	COIL RETAINING NUT FOR 8130223	1
6	8126287	BLOCK	1
7	8126037	PISTON	1
8	8116011	SPRING	1
9	8581115	ADAPTOR	2
10	8650103	SEAL	3
11	8650322	SEAL	1
12	22852.52	BRACKET	1
13	9163004	NUT	2
14	41844.54	ANGLE FLOAT LOOM 2M DT CONNECT	1
15	1290061	DECAL	1
16	10.001.10	HOSE	1
17	45594.49	SEALING PLUG	2
18	45594.37	DEUTSCH DT06-2S	1



McConnel Limited, Temeside Works, Ludlow, Shropshire SY8 1JL. England.
Telephone: 01584 873131. Facsimile: 01584 876463. www.mcconnel.com