



For best performance ...

USE ONLY GENUINE McCONEl SERVICE PARTS

*To be assured of the latest design improvements purchase your
'Genuine Replacements' from the 'Original Equipment Manufacturer'*

McCONEl LIMITED

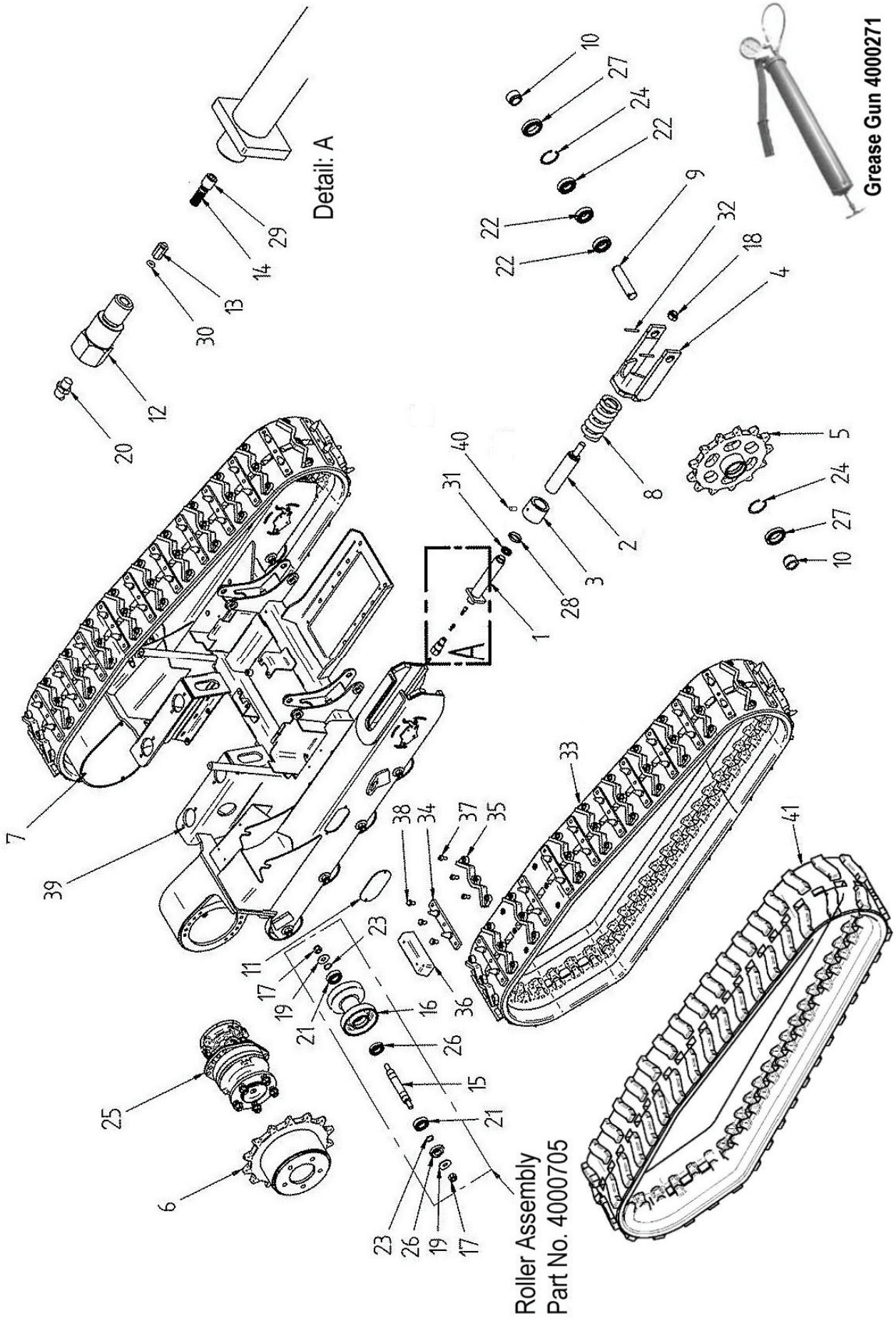
Through your local Dealer or Stockist

Always quote:

- *Machine Type*
- *Serial Number*
- *Part Number*

TRACK DRIVE ASSEMBLY

ROBOCUT MOWER



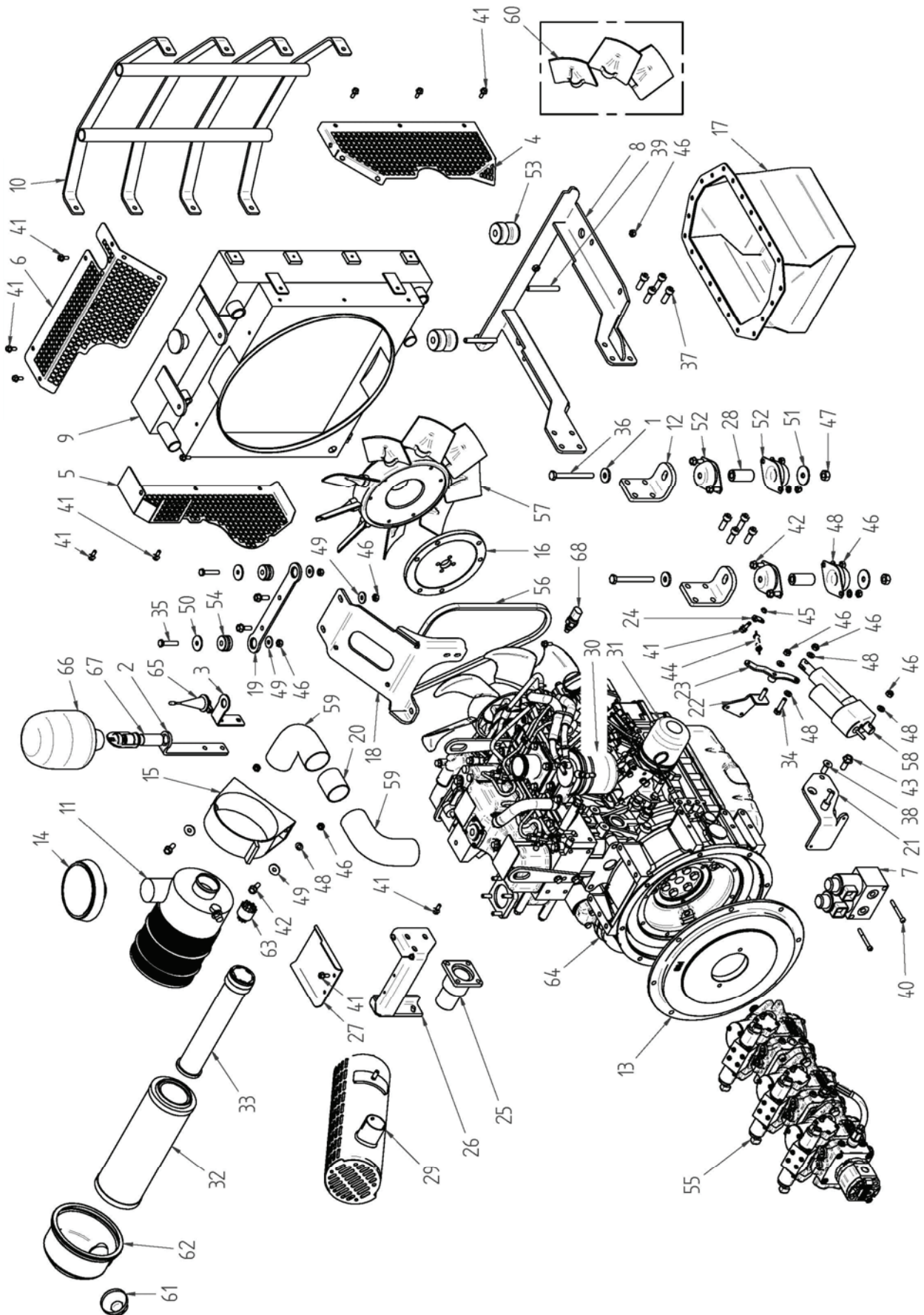
Roller Assembly
Part No. 4000705

REF.	QTY.	PART No.	DESCRIPTION
TRACK DRIVE ASSEMBLY			
1	2	4000001	INNER BARREL
2	2	4000002	OUTER BARREL
3	2	4000003	BUSH
4	2	4000004	SPROCKET FORK
5	2	4000005	SPROCKET
6	2	4000006	DRIVE SPROCKET
7	2	4000007	MOTOR COVER
8	2	4000008	SPRING
9	2	4000009	PIN
10	4	4000010	BUSH
11	2	4000011	COVER PLATE
12	2	4000012	VALVE HOUSING
13	2	4000013	VALVE
14	2	4000014	VALVE SPRING
15	10	4000015	PIN
16	10	4000016	ROLLER
17	20	4000017	NUT
18	2	4000018	NUT
19	20	4000019	WASHER
20	2	4000020	GREASE NIPPLE
21	20	4000021	BEARING
22	6	4000022	BEARING
23	20	4000023	CIRCLIP
24	4	4000024	CIRCLIP
25	2	4000025	MOTOR
26	20	4000026	BEARING
27	4	4000027	BEARING
28	2	4000028	SCRAPER RING
29	2	4000029	VALVE RETAINER
30	2	4000030	SEAL
31	2	4000031	SEAL
32	4	4000032	ROLL PIN
33	2	4000033	RUBBER TRACK (<i>Without Steel Treads</i>)
	2	4000262	RUBBER TRACK (<i>c/w Treads 4000035</i>)
34	46	4000034	TRACK SPIKES
35	94	4000035	STEEL TREAD
36	46	4000036	RUBBER TRANSPORT BLOCK
37	6	4000037	BOLT
38	6	4000038	BOLT
39	1	4000039	UNDERCARRIAGE HOUSING
40	1	4000272	GRUB SCREW
41	2	4000263	RUBBER TRACK (<i>Non Steel Tread Type</i>)

ENGINE UNIT ASSEMBLY

ROBOCUT MOWER

McCONEL

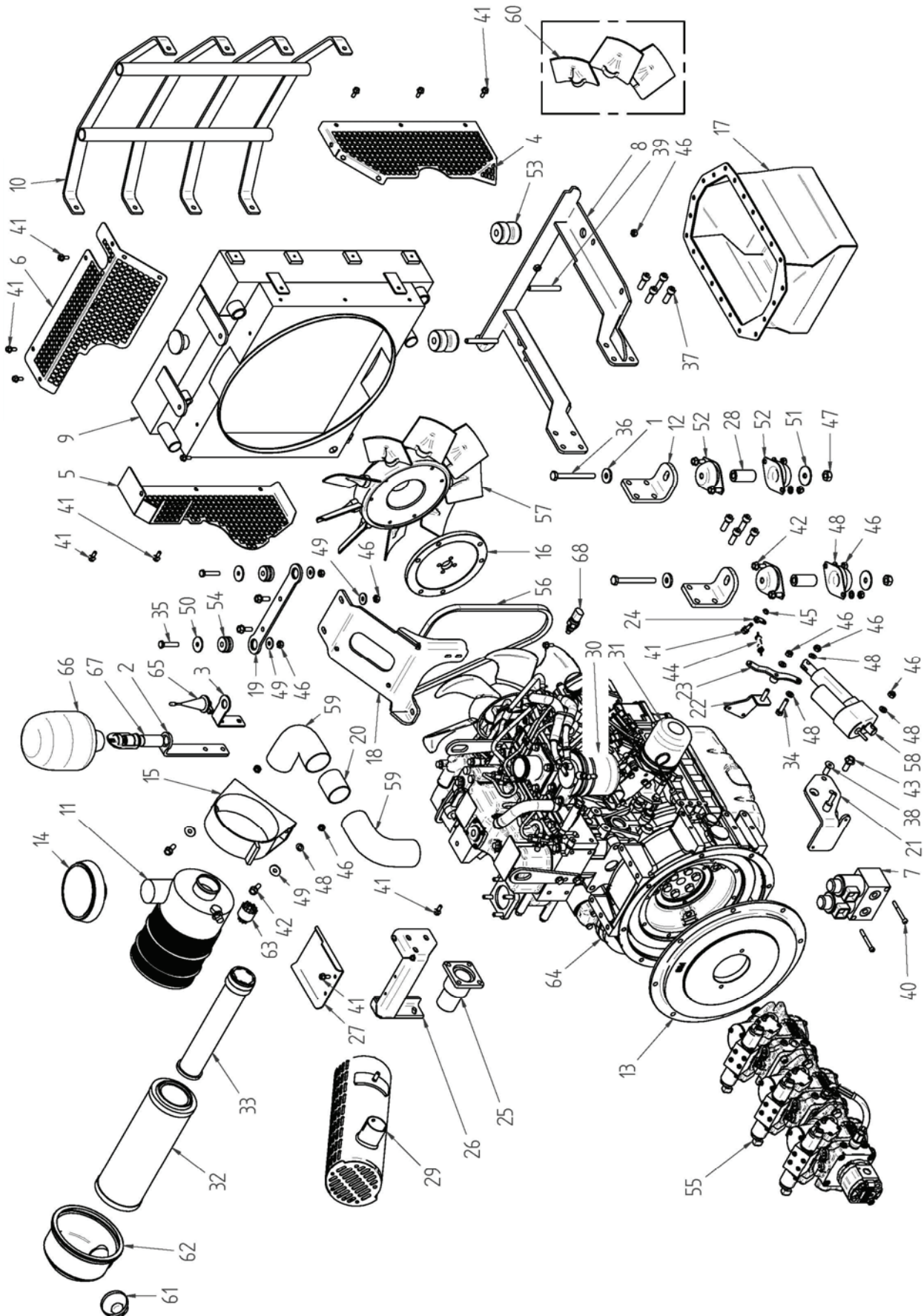


REF.	QTY.	PART No.	DESCRIPTION
			ENGINE UNIT ASSEMBLY
1	1	4000040	WASHER
2		4000286	LIGHT BRACKET
3	1	4000277	AERIAL SUPPORT
4	1	4000041	LEFT MESH GUARD
5	1	4000042	RIGHT MESH GUARD
6	1	4000043	UPPER MESH GUARD
7	1	4000044	BRAKE VALVE
8	1	4000045	RADIATOR MOUNTING BRACKET
9	1	4000046	WATER/OIL RADIATOR
10	1	4000047	RADIATOR PROTECTION
11	1	4000048	AIR FILTER HOUSING
12	1	4000049	ENGINE MOUNTING
13	1	4000050	FLANGE
14	1	4000051	AIR FILTER COVER
15	1	4000052	AIR FILTER BRACKET
16	1	4000276	FLANGE
17	1	4000053	OIL SUMP (ENGINE)
18	1	4000054	AIR FILTER MOUNTING
19	1	4000055	RADIATOR BRACKET
20	1	4000056	HOSE JOINT
21	1	4000057	BRACKET
22	1	4000058	THROTTLE STIRRUP
23	1	4000059	ACTUATOR ARM
24	1	4000060	SPRING LINKAGE
25	1	4000061	EXHAUST MANIFOLD
26	1	4000062	EXHAUST SUPPORT
27	1	4000063	ALTERNATOR LID
28	1	4000064	ANTI-VIBRATION SPACER
29	1	4000065	EXHAUST SILENCER
30	1	4000292	PRIMARY FUEL FILTER
31	1	4000257	OIL FILTER
32	1	4000260	PRIMARY AIR FILTER
33	1	4000261	SECURITY AIR FILTER
34	1	9313074	SCREW
35	1	9313084	SCREW
36	1	4000066	SCREW
37	1	4000070	CYLINDER HEAD SCREW
38	1	4000067	COUNTERSUNK HEAD SCREW
39	1	4000068	HEADLESS SCREW
40	1	4000069	SCREW
41	8	4000071	FLANGED HEAD SCREW
42	1	4000072	FLANGED HEAD SCREW

ENGINE UNIT ASSEMBLY

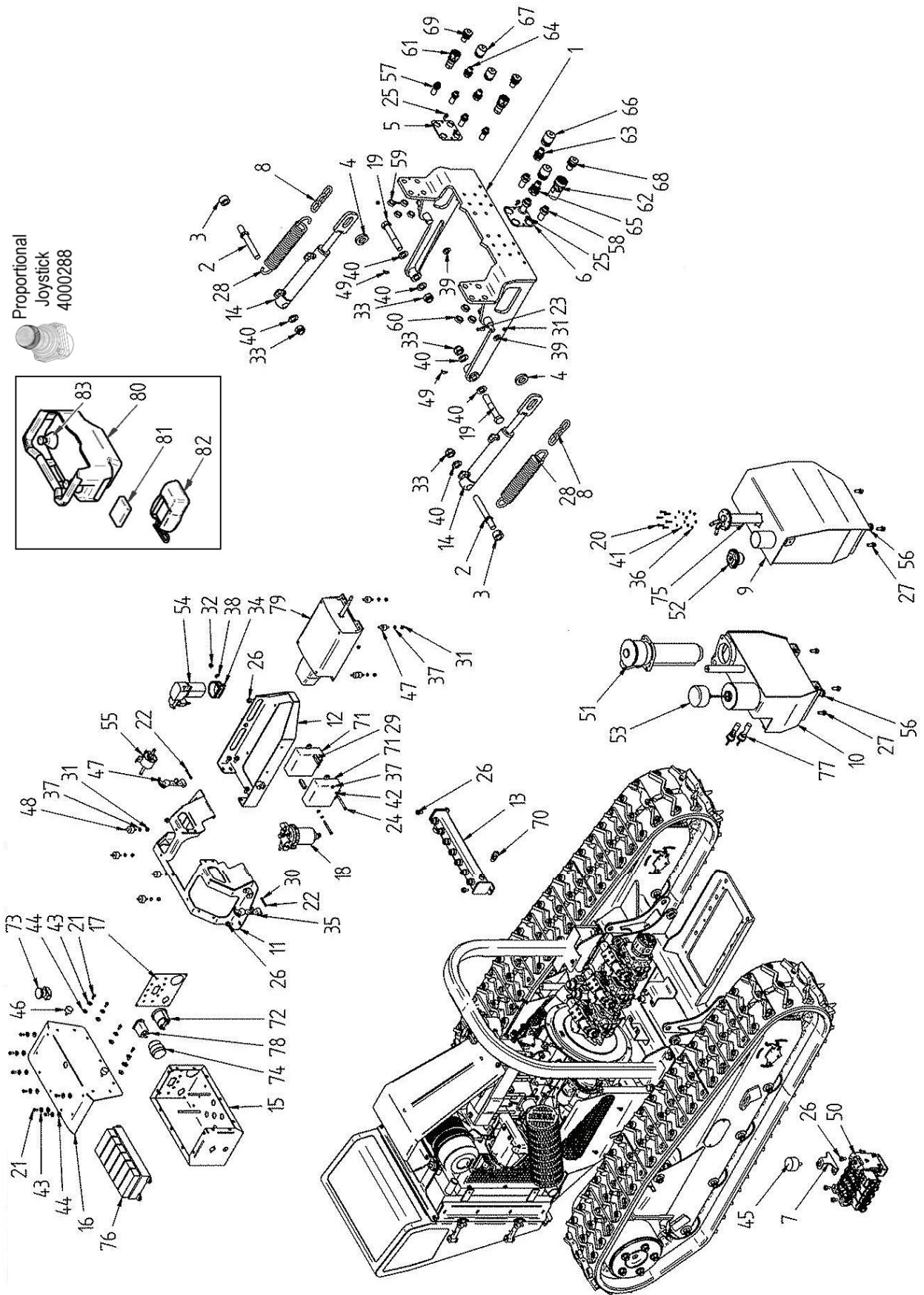
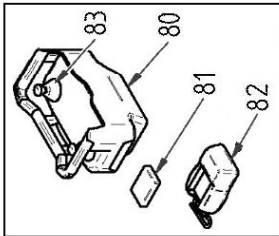
ROBOCUT MOWER

McCONEL



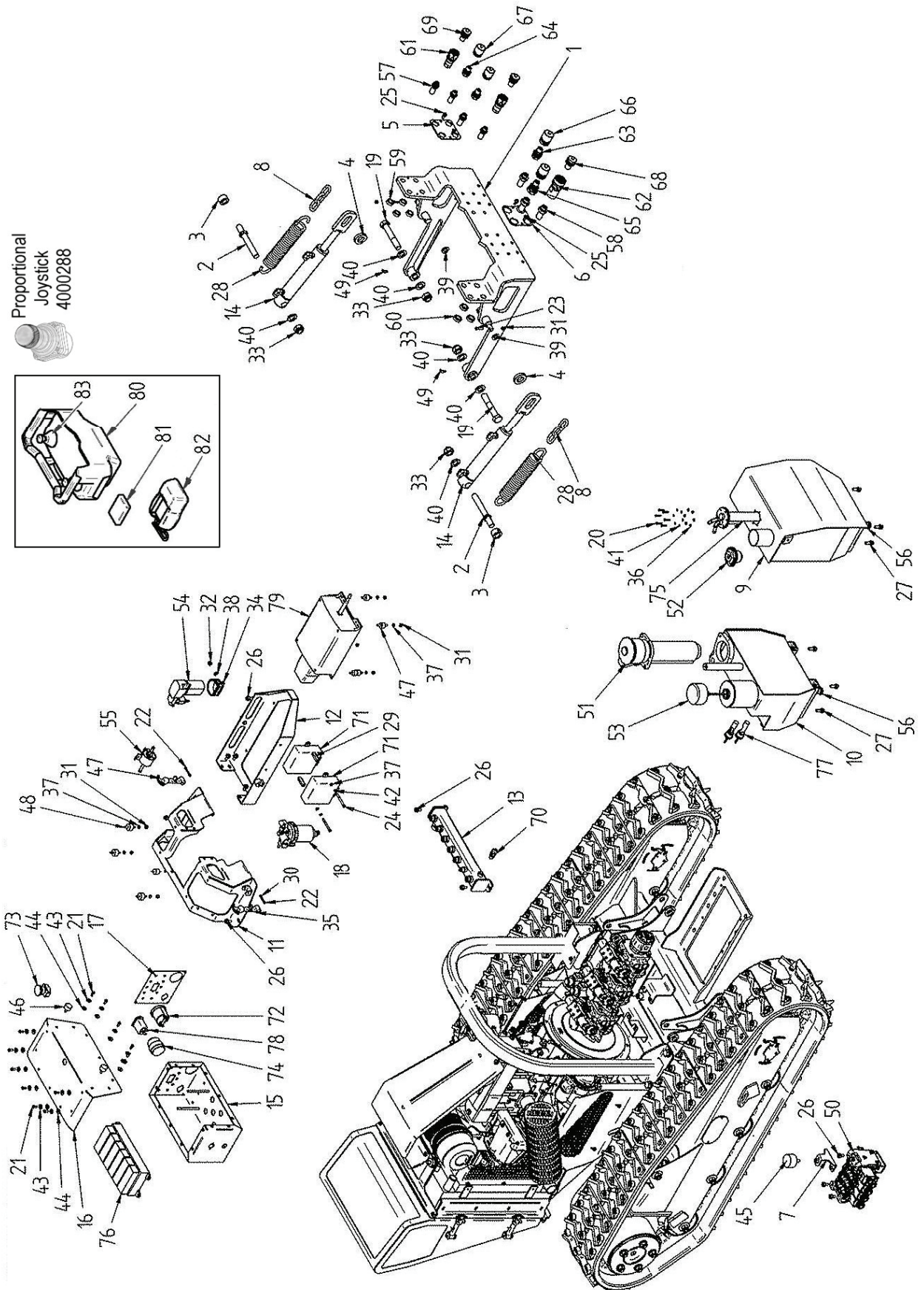
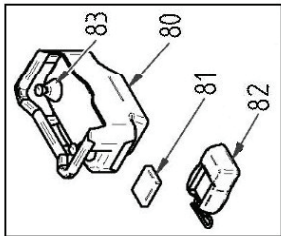
REF.	QTY.	PART No.	DESCRIPTION
			ENGINE UNIT ASSEMBLY
43	1	4000073	FLANGED HEAD SCREW
44	1	4000074	THROTTLE SPRING
45	1	4000075	AUTOGRIP NUT
46	8	4000076	AUTOGRIP NUT
47	1	4000077	AUTOGRIP NUT
48	5	4000078	WASHER
49	2	4000079	WASHER
50	1	4000080	WASHER
51	1	4000081	WASHER
52	2	4000082	ANTI-VIBRATION MOUNTING
53	1	4000083	ANTI-VIBRATION MOUNTING
54	1	4000084	ANTI-VIBRATION RUBBER STOPPER
55	1	4000085	HYDRAULIC PUMPS
56	1	4000275	MOTOR BELT
57	1	4000274	FAN ASSEMBLY
58	1	4000086	ACTUATOR
59	2	4000087	RUBBER HOSE (CURVE)
60	1	4000278	FAN BLADE KIT (3 BLADES)
61	1	4000279	RUBBER VALVE
62	1	4000280	FILTER HOUSING CAP
63	1	4000281	CLOGGING SENSOR
64	1	4000701	ENGINE (40HP)
65	1	4000282	AERIAL
66	1	4000283	ROTATING LIGHT
67	1	4000284	LIGHT CONNECTION
68	1	4000285	WATER SENSOR

Proportional
Joystick
4000288

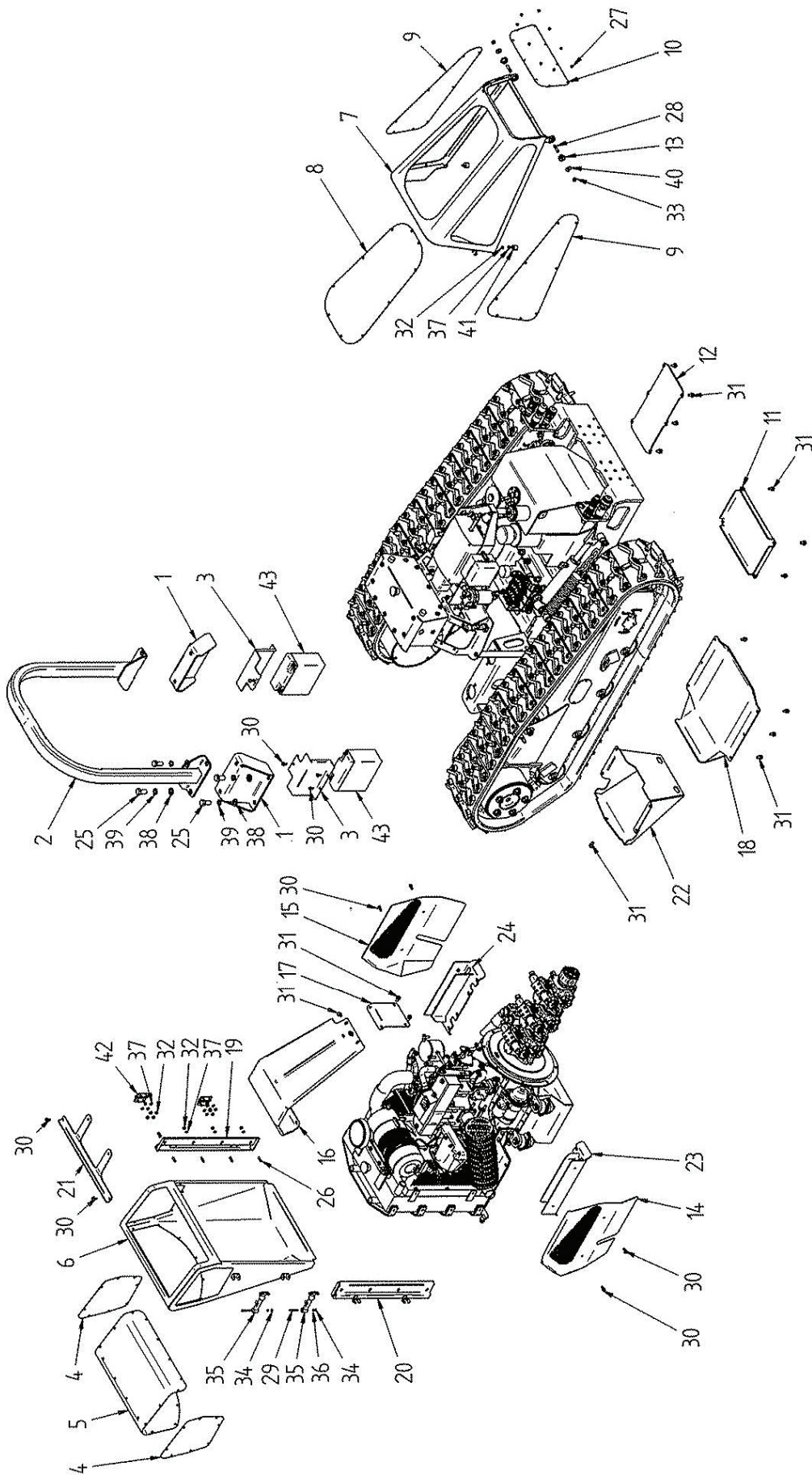


REF.	QTY.	PART No.	DESCRIPTION
			FRAMES & TANKS ASSEMBLY
1	1	4000088	ATTACHMENT MOUNTING FRAME
2	2	4000089	RAM PIN
3	2	4000090	RETAINING COLLAR
4	2	4000091	WASHER
5	1	4000092	LEFT BULKHEAD FIXING PLATE
6	1	4000093	RIGHT BULKHEAD FIXING PLATE
7	1	4000094	ANTI-VIBRATION MOUNTING
8	2	4000095	CHAIN
9	1	4000096	FUEL TANK
10	1	4000097	OIL TANK
11	1	4000098	ELECTRIC BOX MOUNTING FRAME
12	1	4000099	REMOTE RECEIVER MOUNTING
13	1	4000100	OIL COLLECTOR
14	2	4000101	HYDRAULIC RAM
15	1	4000102	ELECTRICAL BOX
16	1	4000103	ELECTRICAL BOX COVER
17	1	4000104	INSTRUMENT PANEL
18	1	4000105	FUEL FILTER
19	2	9217248	SCREW
20	6	4000106	SCREW
21	12	9313033	SCREW
22	2	4000107	SCREW
23	2	9313053	SCREW
24	2	4000108	SCREW
25	6	4000071	FLANGED HEAD SCREW
26	9	4000109	FLANGED SCREW
27	8	4000072	FLANGED HEAD SCREW
28	2	4000110	SPRING
29	2	9193004	NUT
30	2	9163001	LOCK NUT
31	12	9163003	LOCK NUT
32	1	9163004	LOCK NUT
33	4	9163008	LOCK NUT
34	1	4000111	RUBBER CLIP
35	2	4000112	BONNET FASTENER
36	6	9100101	WASHER
37	9	9100103	WASHER
38	1	9100104	WASHER
39	2	05.281.14	WASHER
40	6	9100108	WASHER
41	6	4000113	SPRING WASHER
42	2	9100203	SPRING WASHER

Proportional
Joystick
4000288

REF.	QTY.	PART No.	DESCRIPTION
			FRAMES & TANKS ASSEMBLY
43	12	4000114	WASHER
44	12	4000115	RUBBER WASHER
45	1	4000116	BUFFER
46	2	4000117	ANTIVIBRATION
47	4	4000118	ANTIVIBRATION
48	4	4000119	ANTIVIBRATION
49	2	4000120	GREASE NIPPLE
50	1	4000121	DISTRIBUTOR
51	1	4000122	OIL FILTER
52	1	4000123	FUEL PLUG WTH KEY
53	1	4000124	OIL PLUG/LEVEL
54	1	4000125	FAN COMPRESSOR
55	1	4000126	FUEL PUMP
56	2	4000127	PLUG
57	4	4000128	BULKHEAD FITTING
58	3	4000129	BULKHEAD FITTING
59	4	4000130	NUT
60	3	4000131	NUT
61	2	4000132	CONNECTION
62	1	4000133	CONNECTION
63	1	4000134	CONNECTION
64	2	4000135	CONNECTION
65	1	4000136	CONNECTION
66	1	4000137	PLUG
67	2	4000138	PLUG
68	1	4000139	PLUG
69	2	4000140	PLUG
70	1	4000141	PRESSURE PLUG
71	2	4000142	MICROPROCESSOR
72	1	4000143	TEMPERATURE GAUGE
73	1	4000144	EMERGENCY STOP SWITCH
74	1	4000145	IGNITION SWITCH
75	1	4000146	FUEL LEVEL SENSOR
76	1	4000147	RELAYS FUSE BOX
77	2	4000148	LEVEL SENSOR
78	1	4000149	HOURS COUNTER
79	1	4000150	RADIO REMOTE CONTROL RECEIVER
80	1	4000273	REMOTE CONTROL UNIT
81	1	4000270	BATTERY FOR REMOTE CONTROL
82	1	4000269	BATTERY CHARGER (MAINS POWER)
83	2	4000288	PROPORTIONAL JOYSTICK
84	1	4000293	BATTERY CHARGER (12v)

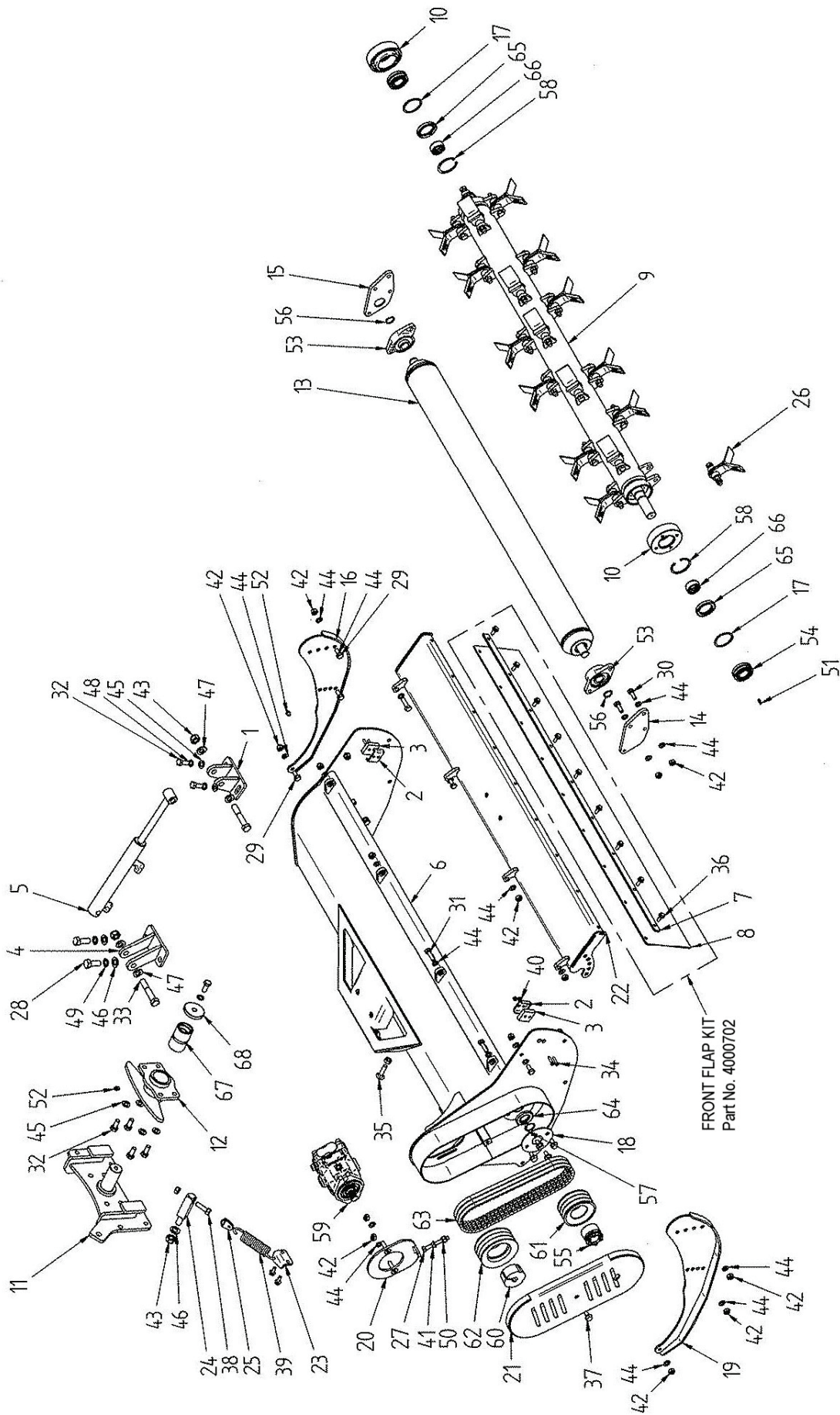


REF.	QTY.	PART No.	DESCRIPTION
			PROTECTION GUARDS & COVERS
1	2	4000151	ROLL BAR SUPPORT
2	1	4000152	ROLL BAR
3	2	4000153	ROBOGREEN BATTERY COVER
4	2	4000154	SIDE GRILL
5	1	4000155	CENTRE GRILL
6	1	4000156	RADIATOR BONNET
7	1	4000157	UPPER BONNET
8	1	4000158	UPPER GRILL
9	2	4000159	SIDE GRILL
10	1	4000160	FRONT GRILL
11	1	4000161	VALVE COVER PLATE
12	1	4000162	TANK COVER PLATE
13	2	4000163	BUSHING
14	1	4000164	RIGHT SIDE BONNET
15	1	4000165	LEFT SIDE BONNET
16	1	4000166	AIR FILTER BONNET
17	1	4000167	AIR FILTER BONNET SUPPORT
18	1	4000168	OIL SUMP PROTECTION
19	1	4000169	RADIATOR LEFT SUPPORT
20	1	4000170	RADIATOR RIGHT SUPPORT
21	1	4000171	RADIATOR SUPPORT EDGE
22	1	4000172	REAR COVER
23	1	4000173	RIGHT SIDE PROTECTION SUPPORT
24	1	4000174	LEFT SIDE PROTECTION SUPPORT
25	8	4000175	SCREW
26	8	4000176	SCREW
27	9	4000177	SCREW
28	2	4000178	SCREW
29	2	4000250	SCREW
30	12	4000071	FLANGED SCREW
31	27	4000109	FLANGED SCREW
32	18	4000075	AUTOGRIP NUT
33	2	4000076	AUTOGRIP NUT
34	2	05.945.33	LOCK NUT
35	2	4000112	BONNET FASTENER
36	2	9100101	WASHER
37	18	9100103	WASHER
38	8	0100106	WASHER
39	8	4000179	WASHER
40	2	4000079	WASHER
41	2	4000251	ANTI-VIBRATION
42	2	4000180	LOCK
43	2	4000181	BATTERY

FLAILHEAD ASSEMBLY

ROBOCUT MOWER

McCONEL

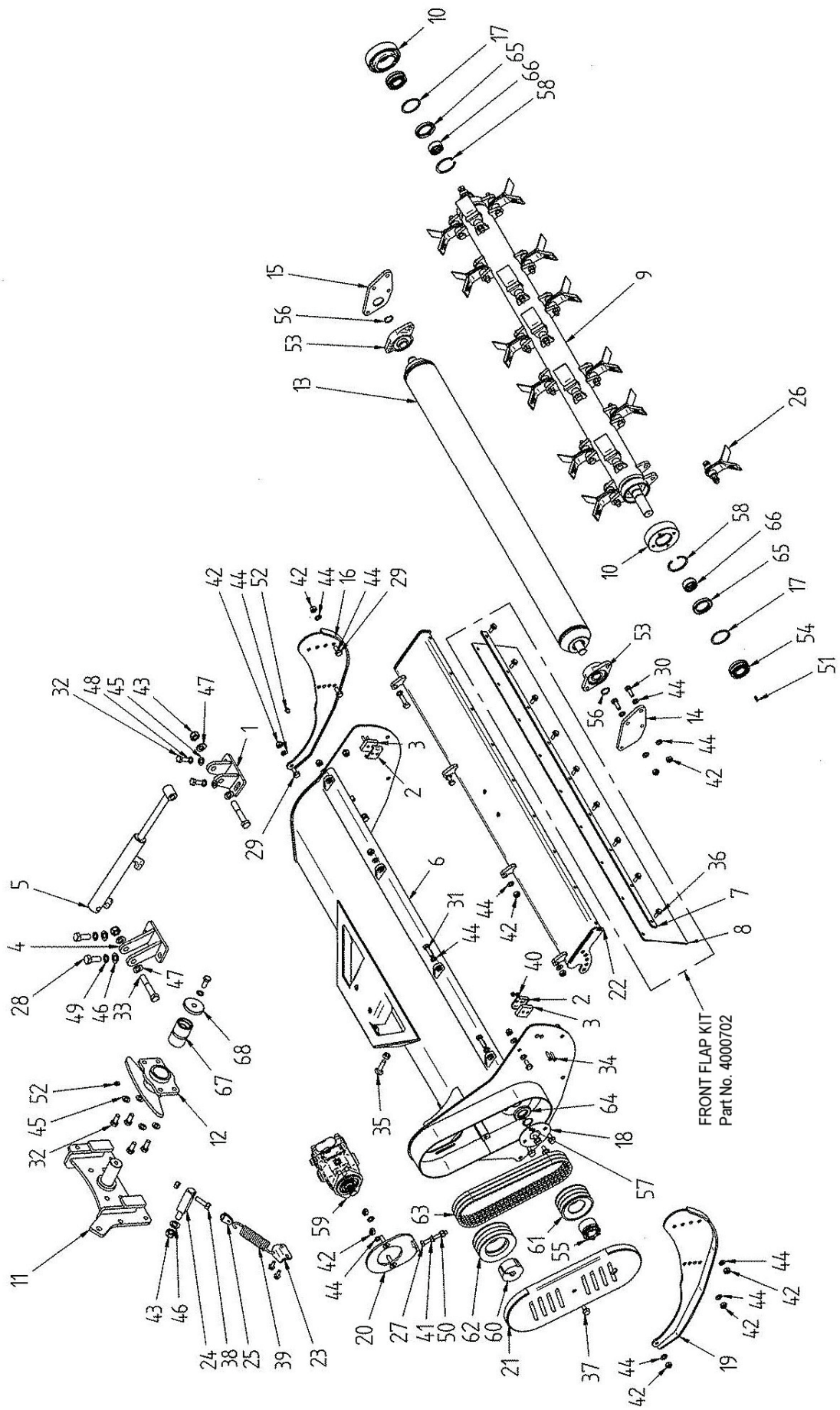


REF.	QTY.	PART No.	DESCRIPTION
			FLAILHEAD ASSEMBLY
1	1	4000182	CYLINDER FIXING STIRRUP
2	2	4000183	RUBBER SUPPORT
3	2	4000184	UPPER PROTECTION SUPPORT
4	1	4000185	RAM BRACKET
5	1	4000186	HYDRAULIC RAM
6	1	4000187	HEAD CASING (1.3m)
7	1	4000188	CLAMP STRIP
8	1	4000189	RUBBER FLAP
9	1	4000190	ROTOR (1.3m)
10	2	4000191	ROTOR BEARING SUPPORT
11	1	4000192	HEAD PIVOT BRACKET
12	1	4000193	PIVOT JOINT
13	1	4000194	ROLLER
14	1	4000195	ROLLER BRACKET - R/H
15	1	4000196	ROLLER BRACKET - L/H
16	1	4000197	LEFT SKID
17	2	4000198	WASHER
18	1	4000199	PLATE
19	1	4000200	RIGHT SKID
20	1	4000201	MOTOR MOUNTING PLATE
21	1	4000202	BELT COVER
22	1	4000203	FRONT HOOD
23	1	4000204	SPRING BRACKET
24	1	4000205	SPRING TENSIONER FIXING
25	1	4000206	SPRING TENSIONER
26	1	4000255	Y-FLAILS KIT (SINGLE STATION)
	1	4000268	Y-FLAILS KIT (22 STATION)
27	1	4000208	SCREW
28	1	4000252	SCREW
29	2	4000209	SCREW
30	1	4000210	SCREW
31	1	4000211	SCREW
32	2	4000212	SCREW
33	1	4000213	SCREW
34	1	4000214	SCREW
35	1	4000215	SCREW
36	1	4000216	SCREW
37	1	4000217	SCREW
38	1	4000218	NUT
39	1	4000219	TENSIONING SPRING
40	1	9163003	LOCK NUT
41	1	4000220	FLANGED NUT
42	8	9163005	LOCK NUT

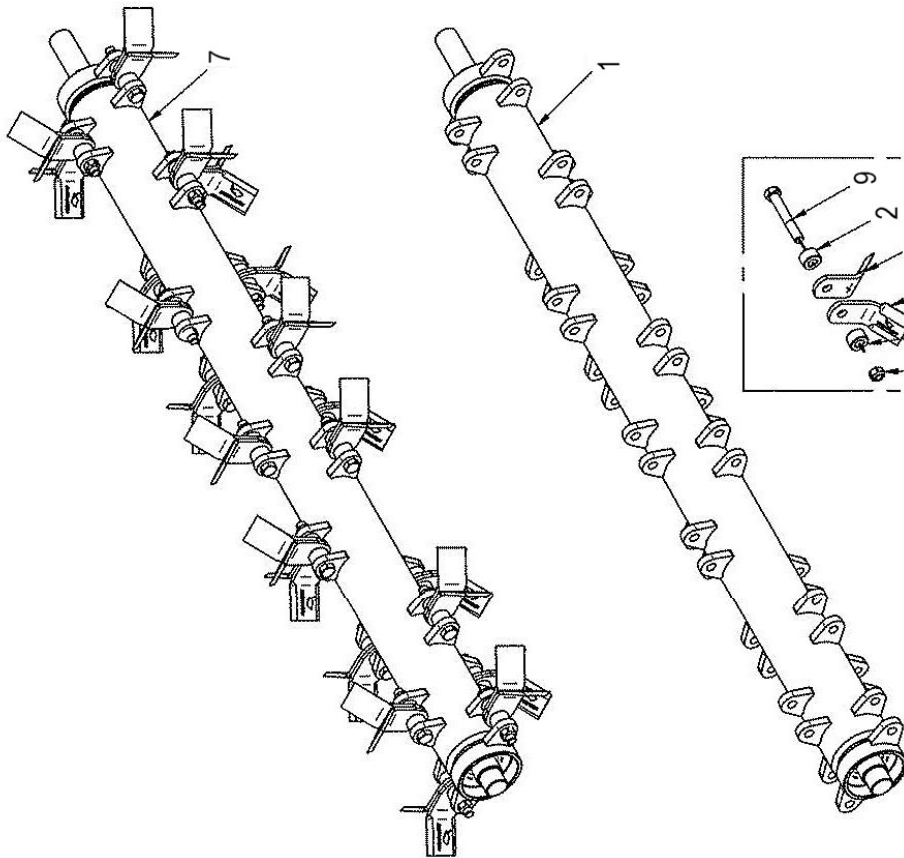
FLAILHEAD ASSEMBLY

ROBOCUT MOWER

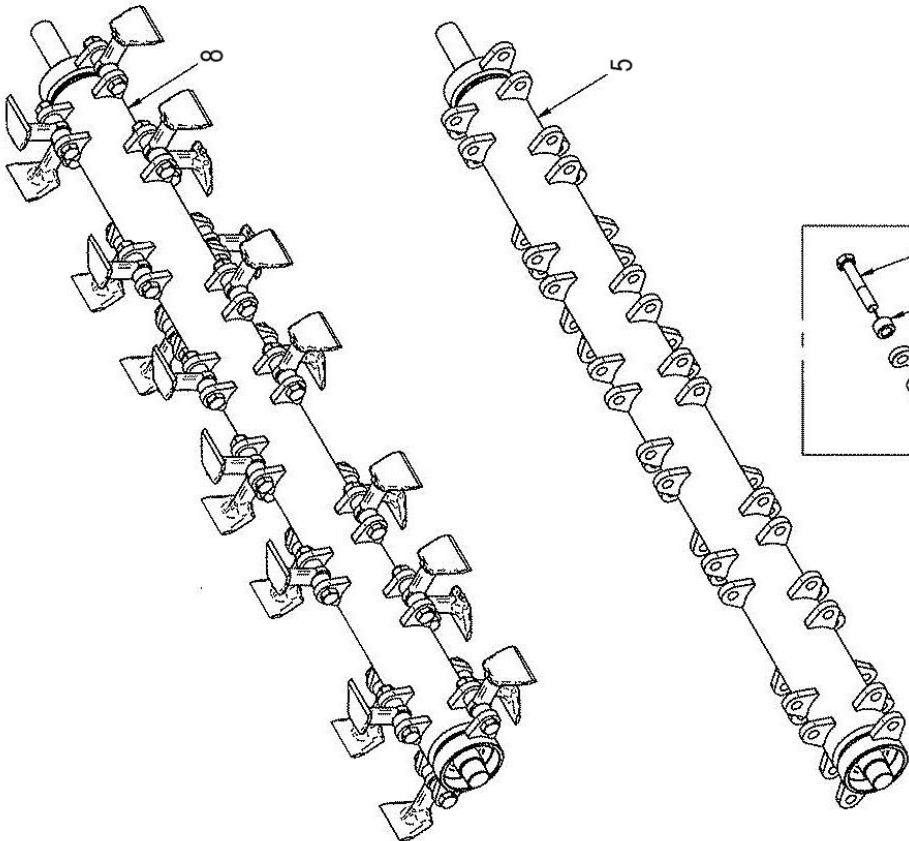
McCONEL



REF.	QTY.	PART No.	DESCRIPTION
			FLAILHEAD ASSEMBLY
43	2	4000221	LOCK NUT
44	11	9100105	WASHER
45	2	9100106	WASHER
46	2	4000253	WASHER
47	2	4000222	WASHER
48	1	9100206	SPRING WASHER
49	1	4000254	WASHER
50	1	9100105	WASHER
51	1	4000223	GREASER
52	2	4000224	GREASER
53	2	4000225	BEARING
54	1	4000226	ROLLER BEARING
55	1	4000227	TAPERLOCK BUSH
56	2	4000023	CIRCLIP
57	1	4000228	RETAINING RING
58	2	4000024	CIRCLIP
59	1	4000229	MOTOR
60	1	4000230	CONICAL BUSH
61	1	4000231	PULLEY
62	1	4000232	PULLEY
63	3	4000233	TRAPEZOIDAL TOOTHED BELT
64	1	4000234	OILSEAL
65	2	4000235	OIL SEAL
66	2	4000236	GUIDE FOR OIL SEAL
67	1	4000237	BUSH
68	1	4000238	WASHER



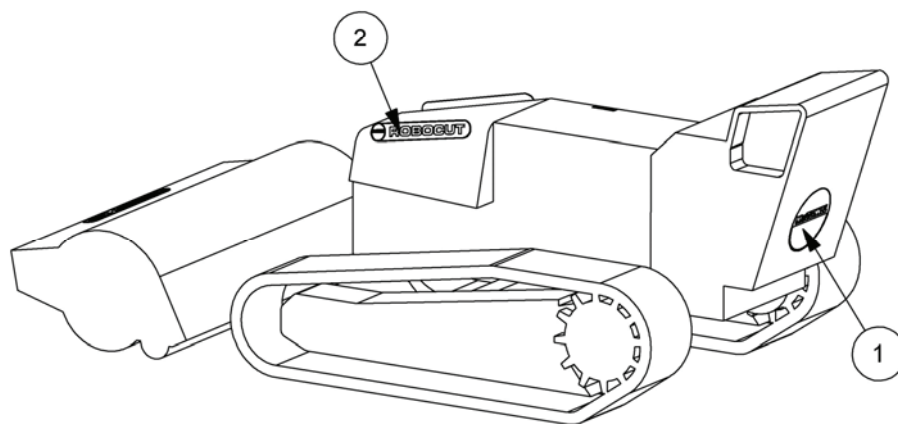
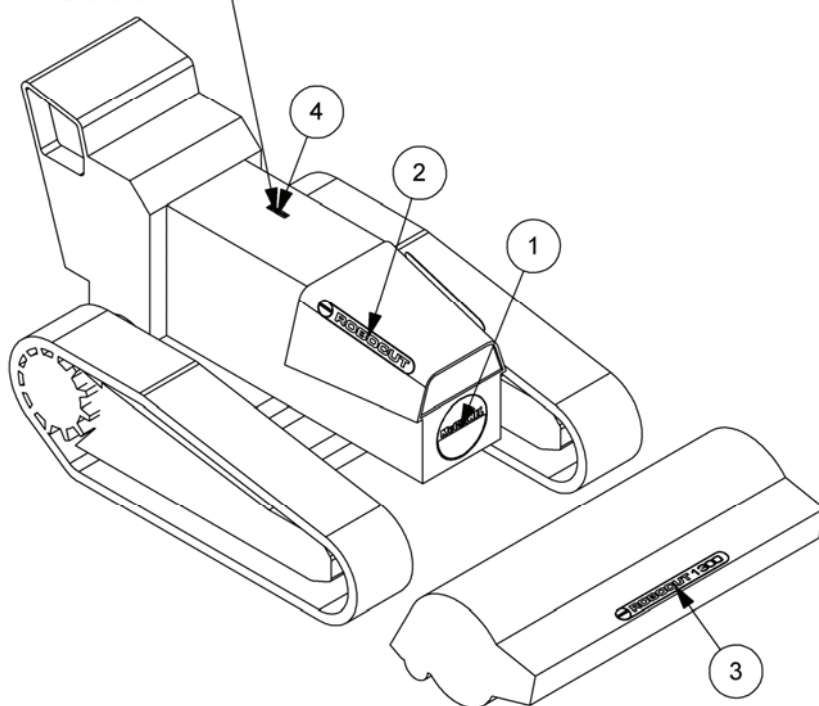
Part No. 4000255
Y-FLAILS KIT (6mm)
(Single Station)



Part No. 4000256
HAMMER FLAIL KIT
(Single Station)

REF.	QTY.	PART No.	DESCRIPTION
ROTORS & FLAILS ASSEMBLY			
1	1	4000190	1.3M ROTOR (Y-FLAILS TYPE)
2	2	4000241	STEEL BUSHING
3	2	4000242	Y-FLAIL (6mm)
4	1	4000243	HAMMER FLAIL
5	1	4000244	1.3M ROTOR (HAMMER FLAIL TYPE)
6	2	4000245	BUSHING
7	1	4000703	1.3M ROTOR C/W Y-FLAILS
8	1	4000704	1.3M ROTOR C/W HAMMER FLAILS
9	2	4000246	SCREW
10	1	4000247	SCREW
11	2	4000248	AUTOGRIP NUT
12	1	4000249	AUTOGRIP NUT
SINGLE STATION FLAIL KITS			
	1	4000255	Y-FLAILS KIT (6mm Flail)
	1	4000256	HAMMER FLAIL KIT
22 STATION FLAIL KIT			
	1	4000268	Y-FLAILS KIT (6mm Flail)

ROBOCUT
OVERLAY FOR
CONTROL BOX



REF.	QTY.	PART No.	DESCRIPTION
		4000700	ROBOCUT DECAL KIT
1	2	1290829	DECAL - MCCONNELL ROUNDEL
2	2	1290954	DECAL - ROBOCUT
3	1	1290955	DECAL - ROBOCUT 1300
4	1	1290956	DECAL - ROBOCUT (OVERLAY)



PRIMARY FUEL FILTER (Part No. 4000292)



OIL FILTER (Part No. 4000257)



**Fitted to Early Models
HYDRAULIC OIL FILTER CARTRIDGE (Part No. 4000258)**

**Fitted to Later Models
HYDRAULIC OIL FILTER CARTRIDGE (Part No. 4000259)**



PRIMARY AIR FILTER CARTRIDGE (Part No. 4000260)



SECURITY AIR FILTER CARTRIDGE (Part No. 4000261)



McConnel Limited, Temeside Works, Ludlow, Shropshire SY8 1JL. England.
Telephone: 01584 873131. Facsimile: 01584 876463. www.mcconnel.com