

Publication 117(PM)
December 2007
Part No. 1090850
Revision: 04.10.13

SWINGTRIM

Swingover Cutterbar Trimmer



Parts Manual





For best performance...

USE ONLY McCONNEL SERVICE PARTS

*To be assured of the latest design improvements purchase your
'Genuine Replacements' from the Original Equipment Manufacturer:*

McCONNEL LIMITED

through your local Dealer or Stockist.

Always quote:

- ***Machine Type***
- ***Serial Number***
- ***Part Number***

*Design Improvements may have altered some of the parts listed in this manual –
The latest part will always be supplied when it is interchangeable with an earlier one.*

Read The Book First

It is important that all operators or fitters that work with this machine have read and fully understood all aspects of this manual before attempting to operate or maintain the machine – the safety of yourself and others should be paramount at all times.

Always Use Genuine Parts

McConnel Genuine Parts are designed and tested specifically for use on our machines - the use of non-genuine parts is not advisable as this can affect both the performance and warranty on the machine.

Parts Ordering

When ordering parts please quote the following information:

- *Machine Model & Specification.*
- *Machine Serial No.*
- *Make & Model of tractor to which the machine is fitted.*
- *Dealer Order Number.*

This information will speed up the ordering process and ensure that the correct parts for the machine are ordered.

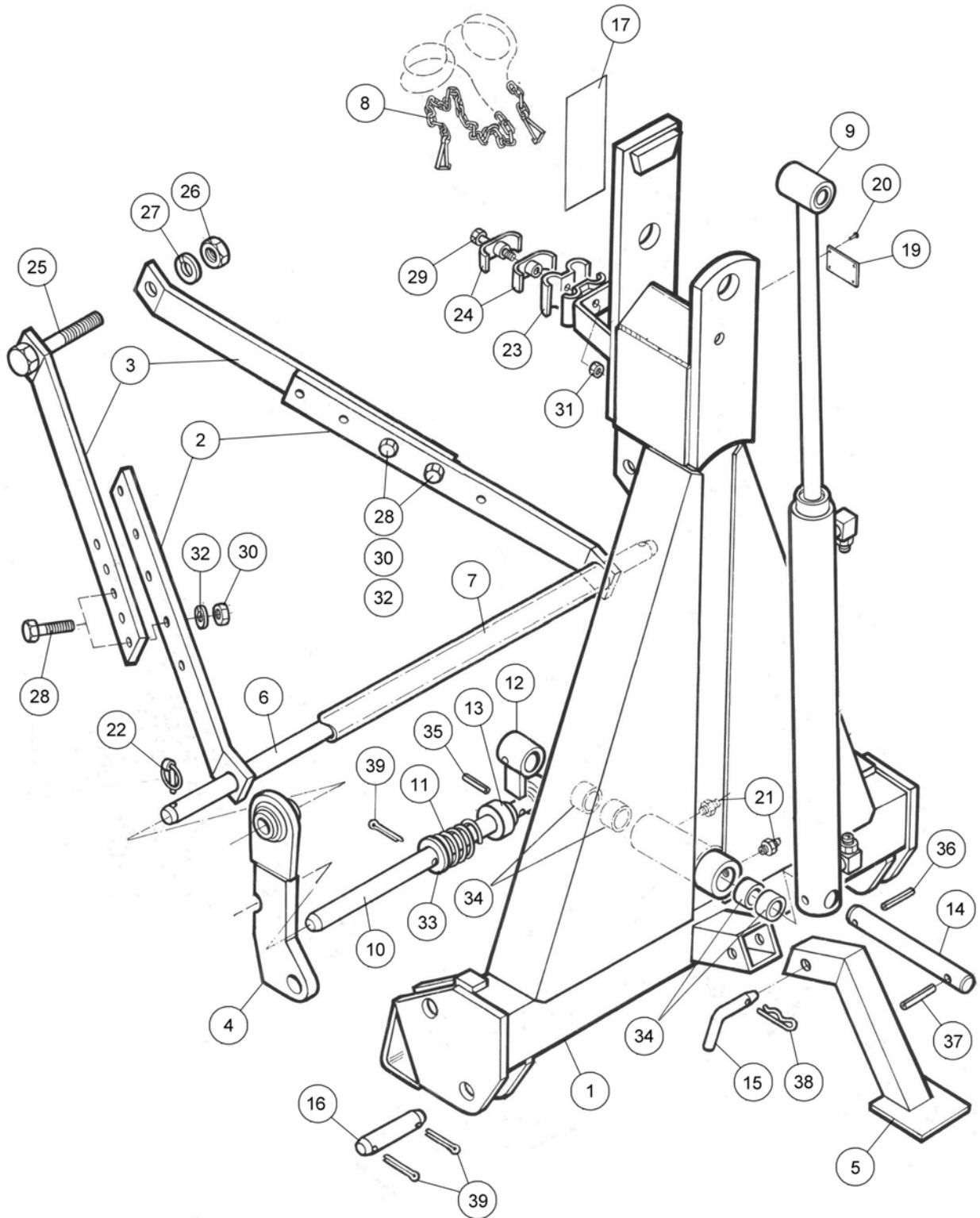
Contact gegevens

Onderdelen:	Christiaan van Gilst Swen Gerards	parts@dabekausen.com magazijn@dabekausen.com
Online onderdelen bestellen:		www.dabekausen-parts.com
Service:	Thomas Richter	service@dabekausen.com

We continually strive to better our products in both performance and value through a continual programme of re-design and testing – where applicable, if an existing part has been superseded by an updated version, the latter will always be supplied.

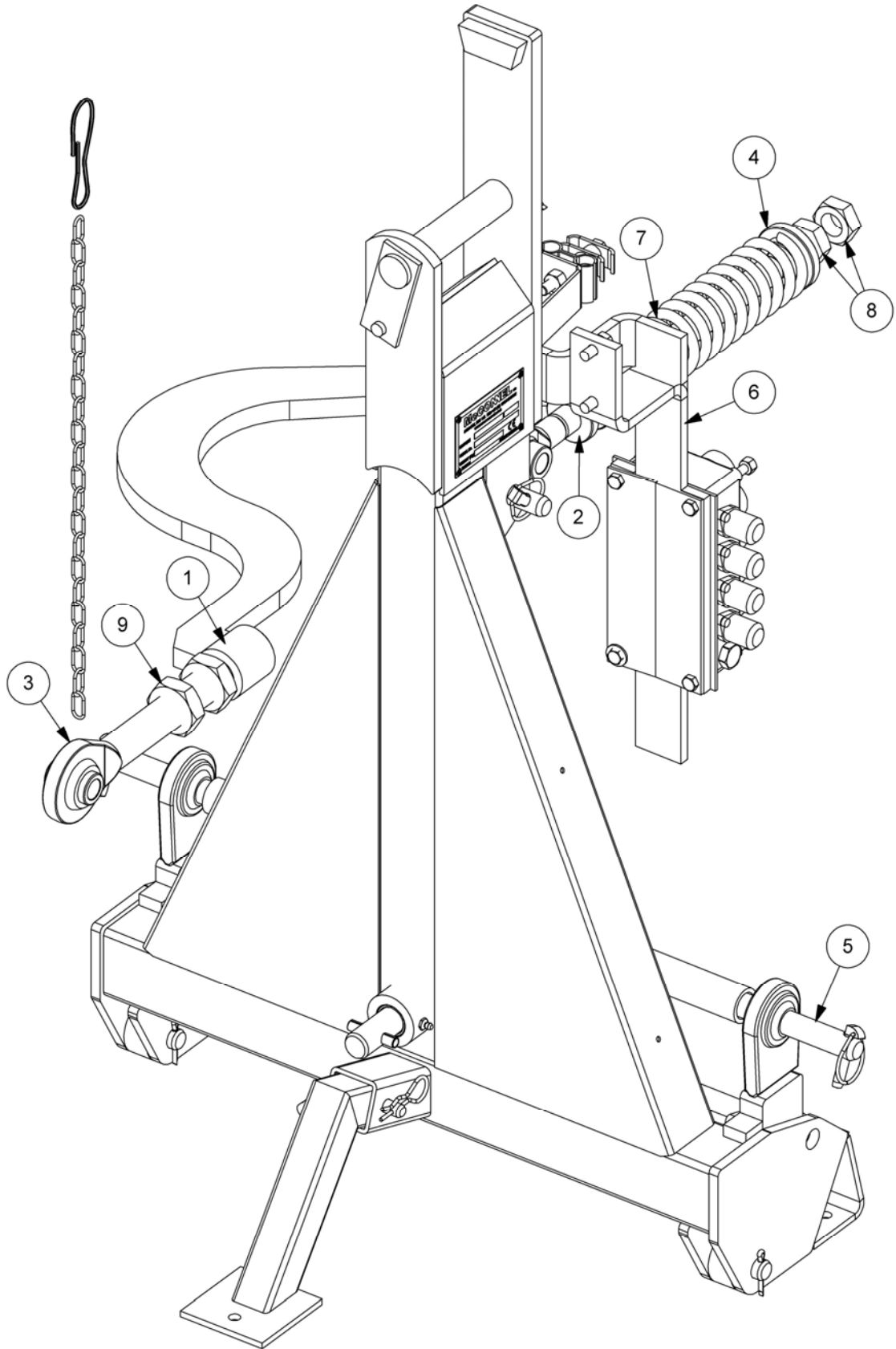
CONTENTS

	<i>Page No.</i>
Mainframe Assembly – <i>Rear Mounted</i>	2
Front Mounting Kit	4
Mainframe Assembly – <i>Front Mounted</i>	6
Main Arm Assembly	8
Dipper Arm Assembly	10
Cutterbar Mounting & Drive Assembly	12
1.2M Cutterbar	14
1.5M Cutterbar	18
Low Flow Motor (<i>20 L/Min</i>)	20
High Flow Motor (<i>30 L/Min</i>)	22
Ram Assemblies – <i>Standard Ø40mm Lift, Reach & Angle Rams</i>	24
Ram Assembly – <i>Alternative Ø50mm Lift Rams</i>	26
Cable Control Valve Assembly	28
Cable Controls	30
Proportional Control Valve Assembly	32
Restrictors – <i>Proportional Controls</i>	34
Proportional Mini XTC Valve Wiring Diagram	35
Proportional Mini XTC Valve Kit (BSP)	36
Proportional Control Unit – <i>Mini Single lever</i>	38
Valve Mounting – <i>Cable Valve</i>	40
Valve Mounting & Cover – <i>Proportional Valve</i>	41
Hydraulic Installation – <i>BSP Builds</i>	42
Hydraulic Installation – <i>JIC Builds</i>	43
Hydraulic Hose Kit – <i>BSP Builds</i>	44
Hydraulic Hose Kit – <i>JIC Builds</i>	46
Hydraulic Hose Installation	48
Pump and Tank Kit Assemblies – <i>Optional</i>	50



MAINFRAME (REAR MOUNTED)

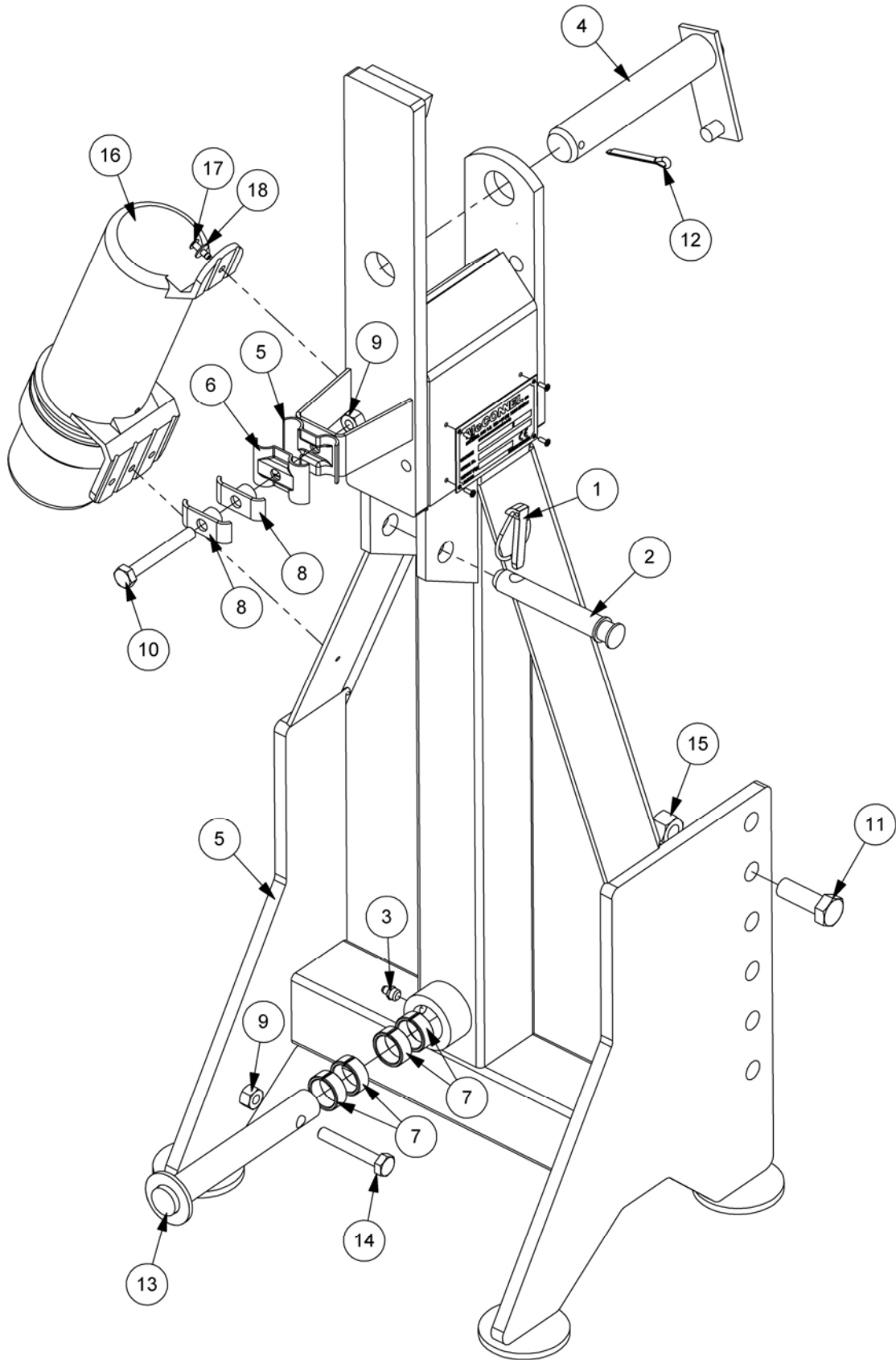
REF.	QTY.	PART NO.	DESCRIPTION
			MAINFRAME ASSEMBLY
1	1	1090260	MAIN FRAME
2	2	1090270	STABILIZER - LOWER
3	2	1090269	STABILIZER - UPPER
4	2	1090022	SWING LINK
5	1	1090263	STAND LEG
6	1	1090025	MOUNTING BAR
7	1	1090384	SPACER TUBE
8	1	1090045	STOWAGE CHAIN
9	1	1090305	LIFT RAM ASSEMBLY - BSP Models
	1	1090306	LIFT RAM ASSEMBLY - JIC Models
10	1	1090264	INTERLOCK BAR
11	2	1090050	INTERLOCK SPRING
12	1	1090039	INTERLOCK LEVER
13	2	1090024	INTERLOCK SLEEVE
14	1	1090044	PIN - LIFT RAM BASE
15	1	1090051	PIN
16	2	1090023	PIN
17	1	1290004	DECAL - OPERATIONAL SAFETY
18	1	1290270	DECAL - CONTROL
19	1	1090052	SERIAL No. PLATE
20	4	7103230	POP RIVET
21	2	0901121	GREASER
22	2	0431217	LYNCH PIN
23	1	6012026	HOSE CLAMP
24	2	7114076	HOSE CLAMP
25	1	0211327	BOLT
26	1	0111007	NUT
27	1	0100207	SPRING WASHER
28	4	9313087	SETSCREW
29	1	9213165	BOLT
30	4	9113007	NUT
31	1	9143005	SELF-LOCKING NUT
32	4	9100207	SPRING WASHER
33	2	0100107	PLAIN WASHER
34	4	7012037	BUSH
35	1	0425525	SPRING DOWEL
36	1	0425640	SPRING DOWEL
37	1	0428150	SPRING DOWEL
38	1	0431104	SPRING COTTER
39	6	9501326	SPLIT PIN



FRONT MOUNTING KIT

REF.	QTY.	PART No.	DESCRIPTION
		1090259	FRONT MOUNTING KIT
1	1	1090342	TOP LINK ASSEMBLY
2	1	1090344	BREAKAWAY ROD
3	1	1090141	TOP LINK (BALL END) CAT.1
4	2	1090142	SPRING SUPPORT
5	1	1090144	LINKAGE BAR
6	1	1090146	VALVE MOUNTING BAR
7	1	1090147	BREAKAWAY SPRING
8	2	0131009	THIN NUT
9	2	1090148	NUT

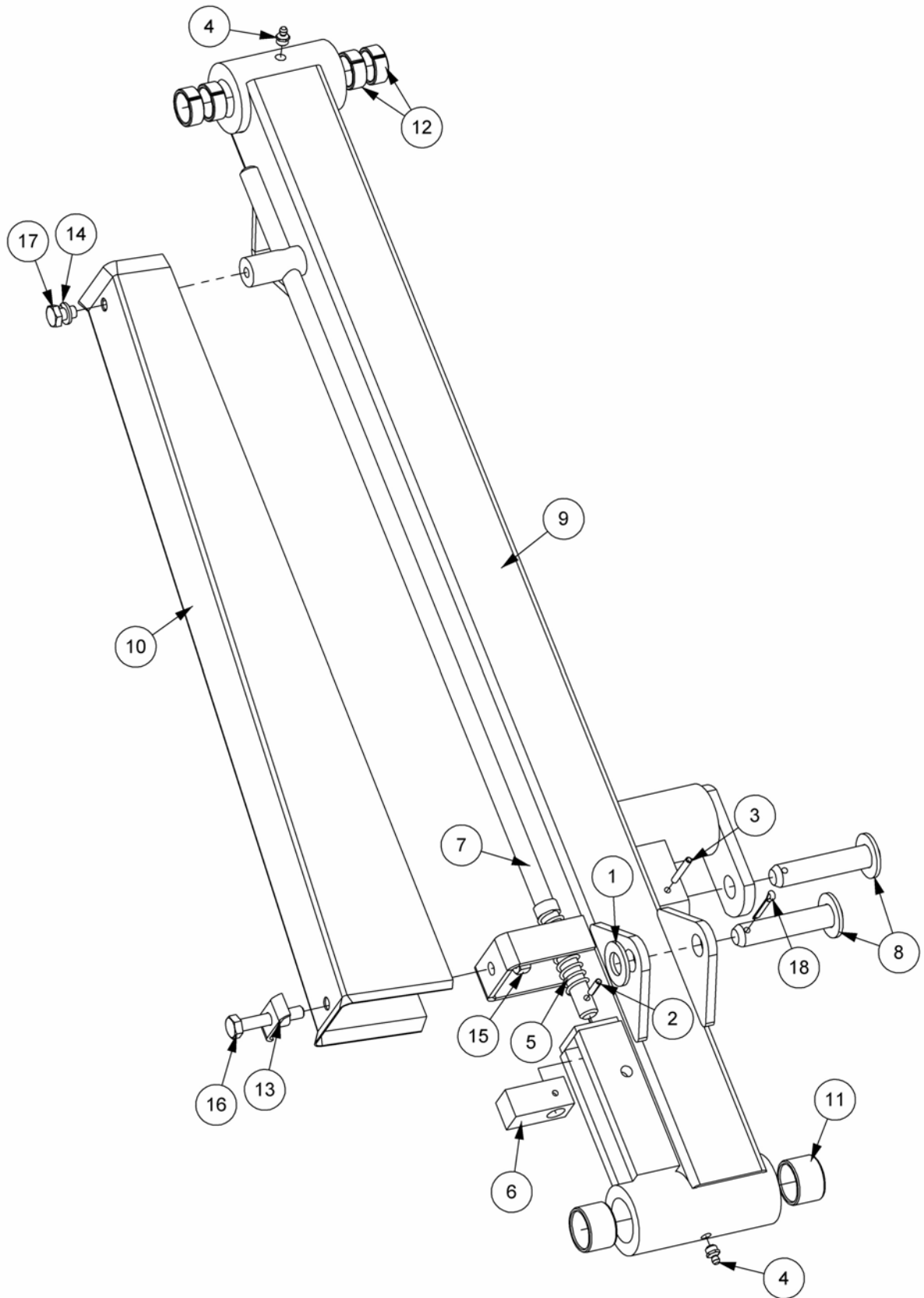
Module:
1090701



MAINFRAME (FRONT MOUNTED)

REF.	QTY.	PART NO.	DESCRIPTION
		1090701	FRONT MOUNTED MAINFRAME
1	1	0431217	LINCH PIN
2	1	T1657	LINKAGE PIN
3	2	0901121	GREASE NIPPLE
4	1	1090042	PIVOT PIN
5	1	1090372	FRONT MOUNT FRAME
6	1	6012026	PIPE CLAMP
7	4	7012037	TENSION BUSH
8	2	7114076	HOSE CLAMP
9	2	9163005	NYLOC NUT
10	1	9213165	BOLT
11	2	9313097	SETSCREW
12	1	9501507	SPLIT PIN
13	1	22904.01	LIFT RAM PIN
14	1	9213135	BOLT
15	2	9163007	NYLOC NUT
16	1	46505.01	LITERATURE HOLDER
17	2	21612.02	POP RIVET
18	2	22530.01	RIVET WASHER

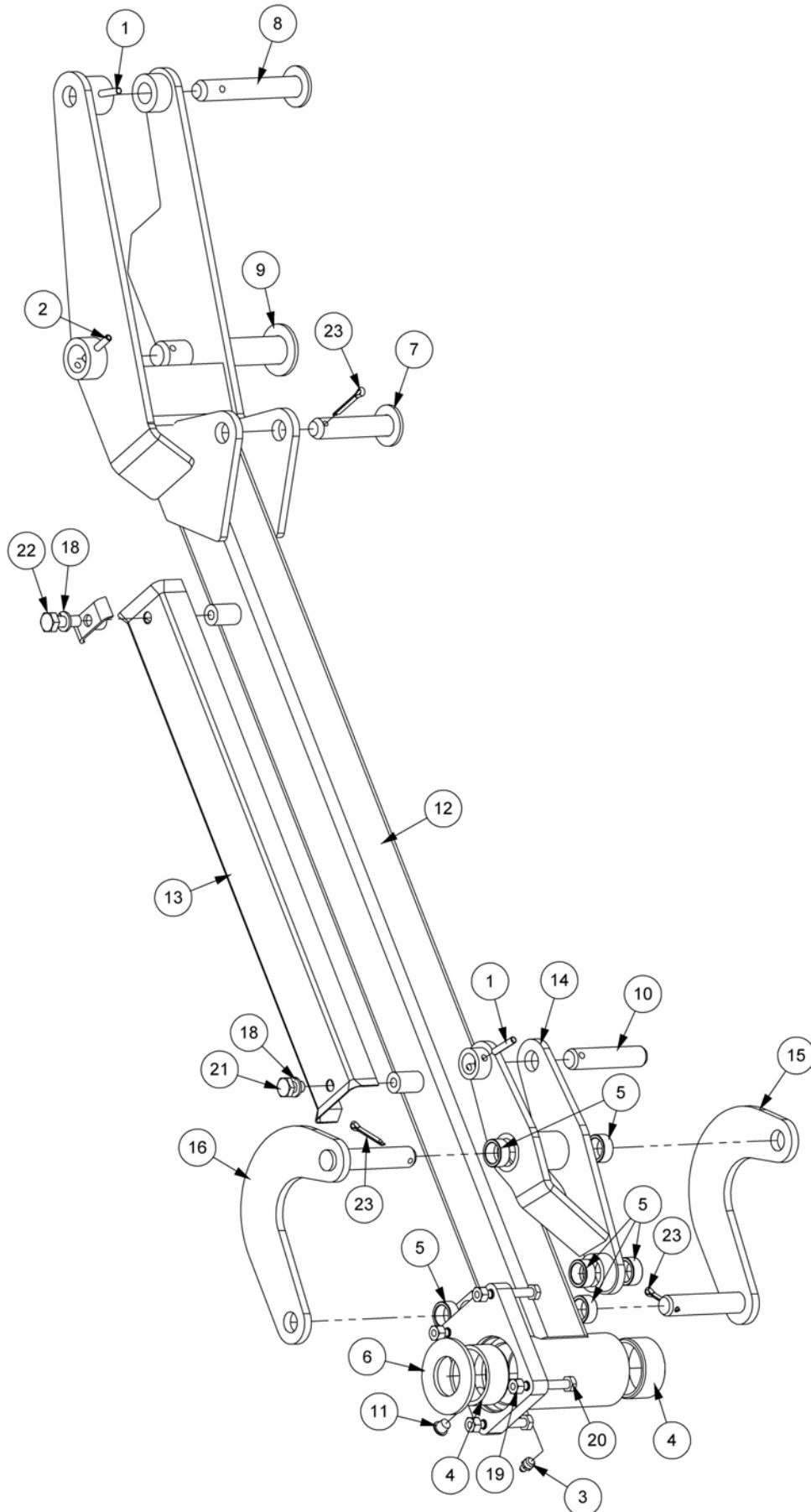
Module:
1090702



MAIN ARM ASSEMBLY

REF.	QTY.	PART NO.	DESCRIPTION
		1090702	MAIN ARM ASSEMBLY
1	1	0100107	FLAT WASHER
2	1	0425522	SPRING DOWEL
3	1	0425540	SPRING DOWEL
4	2	0901121	GREASE NIPPLE
5	1	1090003	INTERLOCK SPRING
6	1	1090040	INTERLOCK BLOCK
7	1	1090041	ARM INTERLOCK BAR
8	2	1090043	RAM PIN
9	1	1090262	MAIN ARM
10	1	1090283	HOSE GUARD
11	2	6012032	BUSH (PLASTIC)
12	4	7012037	TENSION BUSH
13	1	7114076	HOSE CLAMP - LOWER
14	1	9100205	SPRING WASHER
15	1	9143005	SELF-LOCKING NUT
16	1	9213125	BOLT
17	1	9313035	SETSCREW
18	1	9501326	SPLIT PIN

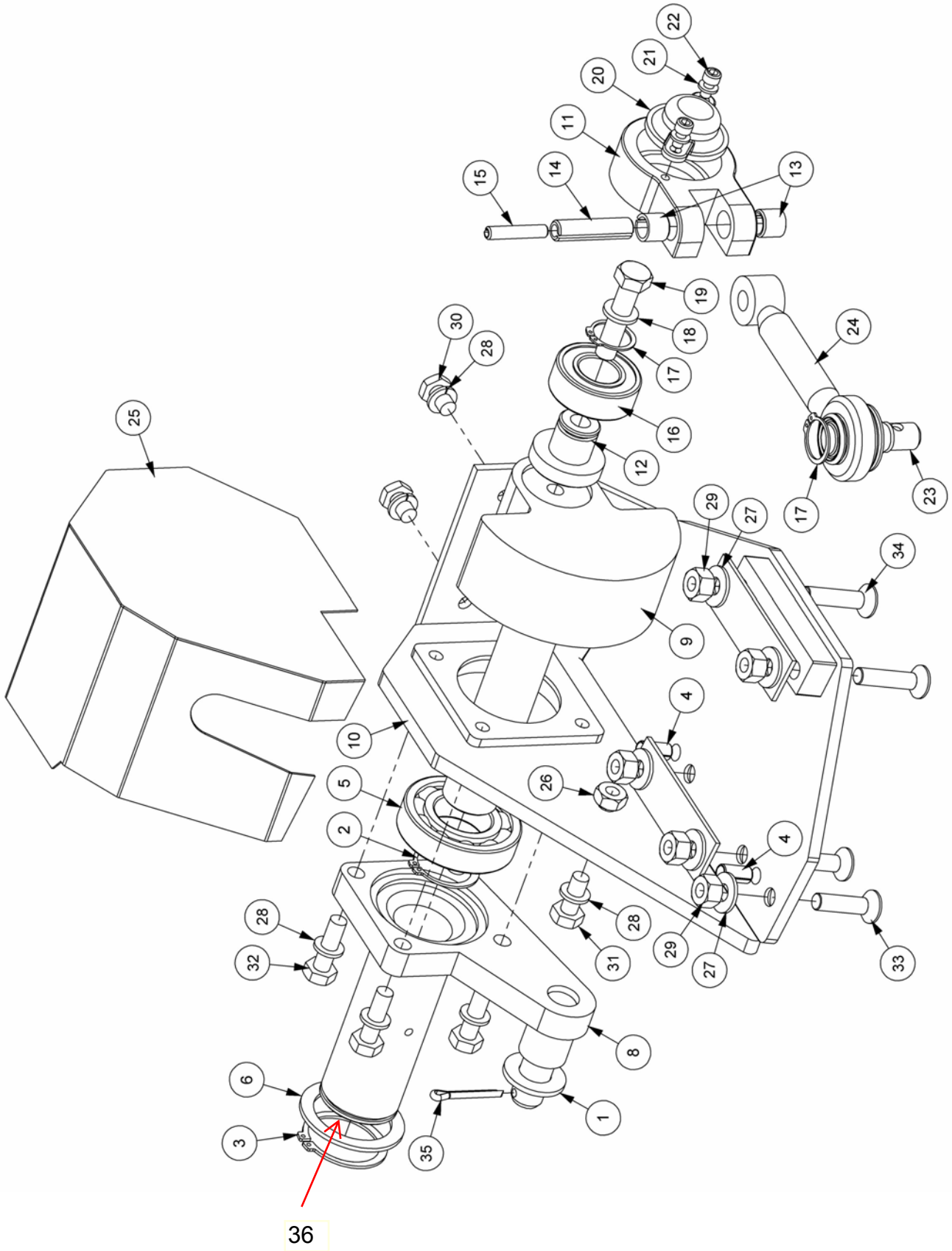
Module:
1090703



DIPPER ARM ASSEMBLY

REF.	QTY.	PART NO.	DESCRIPTION
		1090703	DIPPER ARM ASSEMBLY
1	2	0425630	SPRING DOWEL
2	1	0425640	SPRING DOWEL
3	1	0901121	GREASE NIPPLE
4	2	1090001	HINGE BEARING
5	6	1090002	BUSH
6	1	1090038	MOTOR LOCATING RING
7	1	1090043	RAM PIN
8	1	1090046	REACH RAM PIN (ROD END)
9	1	1090047	PIVOT PIN
10	1	1090048	ANGLE RAM PIN (ROD END)
11	1	1090103	PLASTIC TAPERED PLUG
12	1	1090265	DIPPER ARM
13	1	1090282	HOSE GUARD
14	1	1090279	SLAVE LINK
15	1	1090280	RADIUS ARM - FRONT
16	1	1090281	RADIUS ARM - REAR
17	1	7114076	HOSE CLAMP - LOWER
18	2	9100205	SPRING WASHER
19	4	9143004	SELF-LOCKING NUT
20	4	9213104	BOLT
21	1	9313035	SETSCREW
22	1	9313065	SETSCREW
23	3	9501326	SPLIT PIN

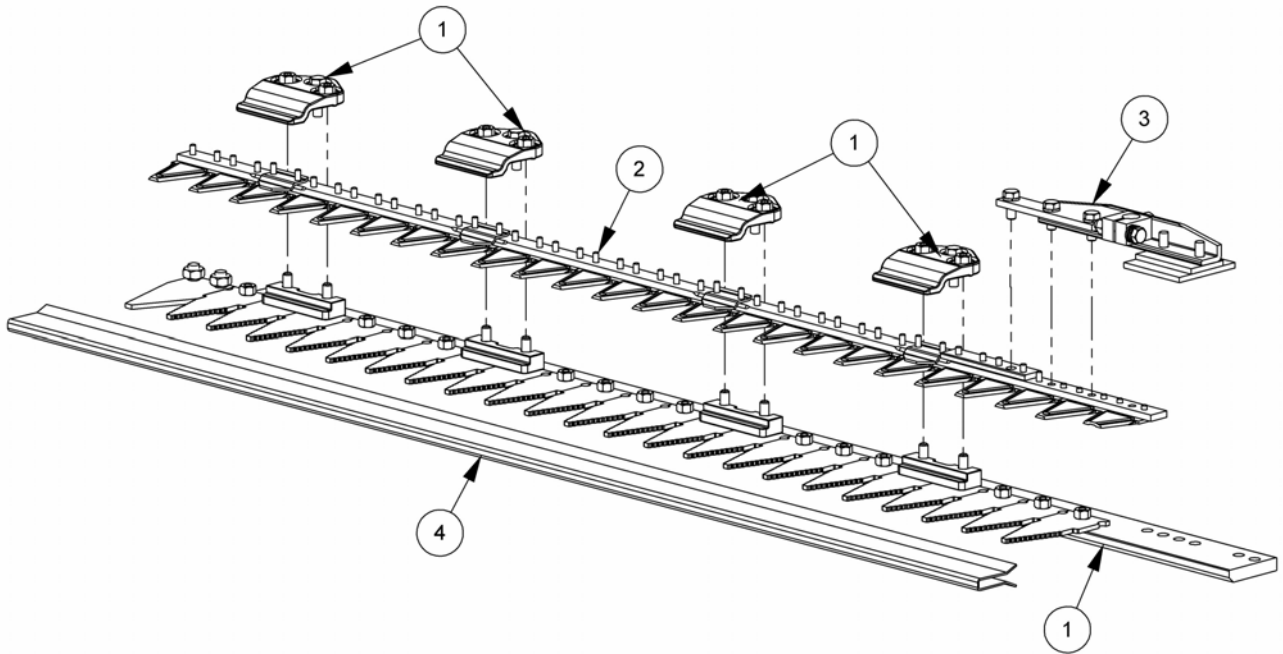
Module:
1090704



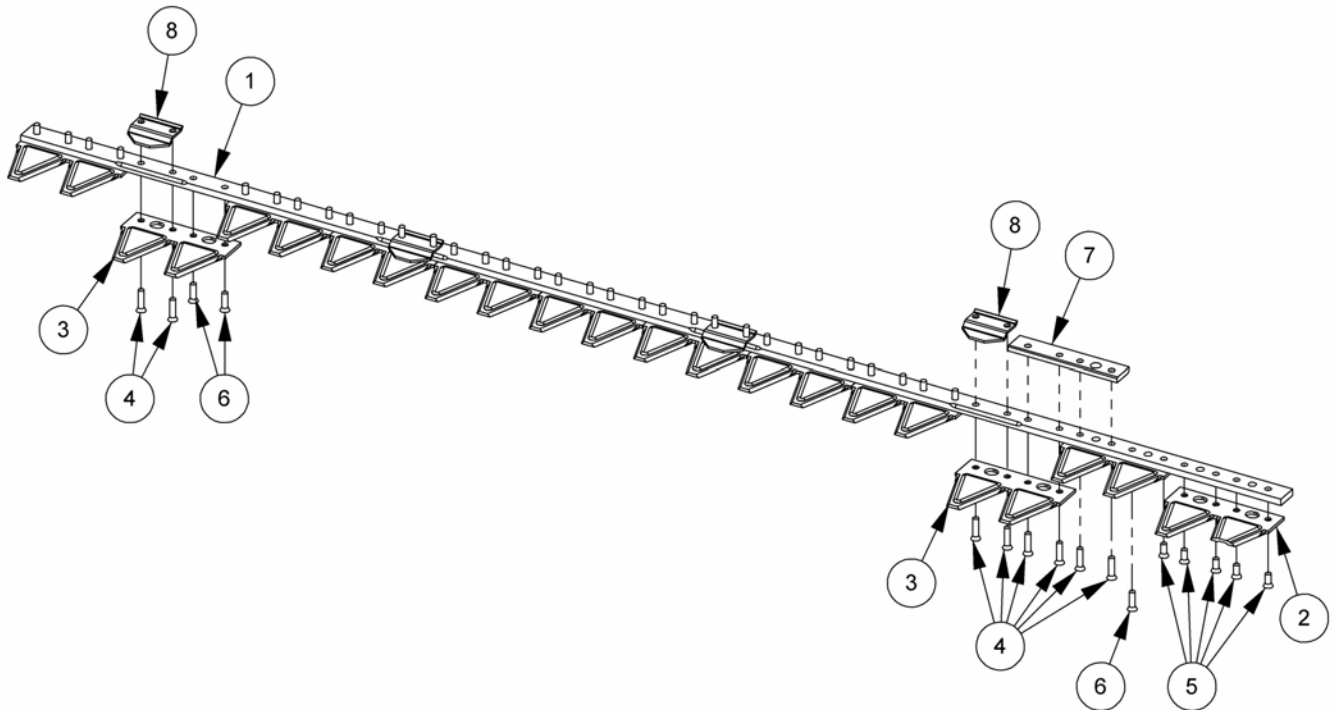
CUTTERBAR MOUNTING

REF.	QTY.	PART NO.	DESCRIPTION
		1090704	CUTTERBAR MOUNTING ASSEMBLY
1	1	0100107	FLAT WASHER
2	1	0406235	EXTERNAL CIRCLIP
3	1	0406247	EXTERNAL CIRCLIP
4	2	0428120	SPRING DOWEL
5	1	0600073	BALL BEARING
6	1	1090037	RETAINING WASHER
7	2	1090102	SPACER SHIM
8	1	1090277	PIVOT TUBE
9	1	1090278	CRANKSHAFT
10	1	1090284	CUTTERBAR MOUNTING BRACKET
		1090295	CONNECTING ROD ASSEMBLY c/o:
11	1	1090056	BEARING
12	1	1090057	SPIGOT
13	2	1090059	BUSH
14	1	1090060	SPRING DOWEL
15	1	1090061	SPRING DOWEL
16	1	0600074	BEARING
17	2	0401225	EXTERNAL CIRCLIP
18	1	9100206	SPRING WASHER
19	1	9213116	BOLT
20	1	1090054	BEARING CAP
21	2	9100203	SPRING WASHER
22	2	9343023	CAPSCREW
23	1	1090058	SWIVEL
24	1	1090055	CON ROD
25	1	1090308	DRIVE COVER
26	1	9117005	NUT
27	5	9100105	FLAT WASHER
28	7	9100205	SPRING WASHER
29	5	9143005	SELF-LOCKING NUT
30	2	9313035	SETSCREW
31	1	9313055	SETSCREW
32	4	9313075	SETSCREW
33	1	9353085	CAPSCREW
34	4	9353095	CAPSCREW
35	1	9501326	SPLIT PIN
36	2	PAP3240P10	BUSH

Module:
1090290

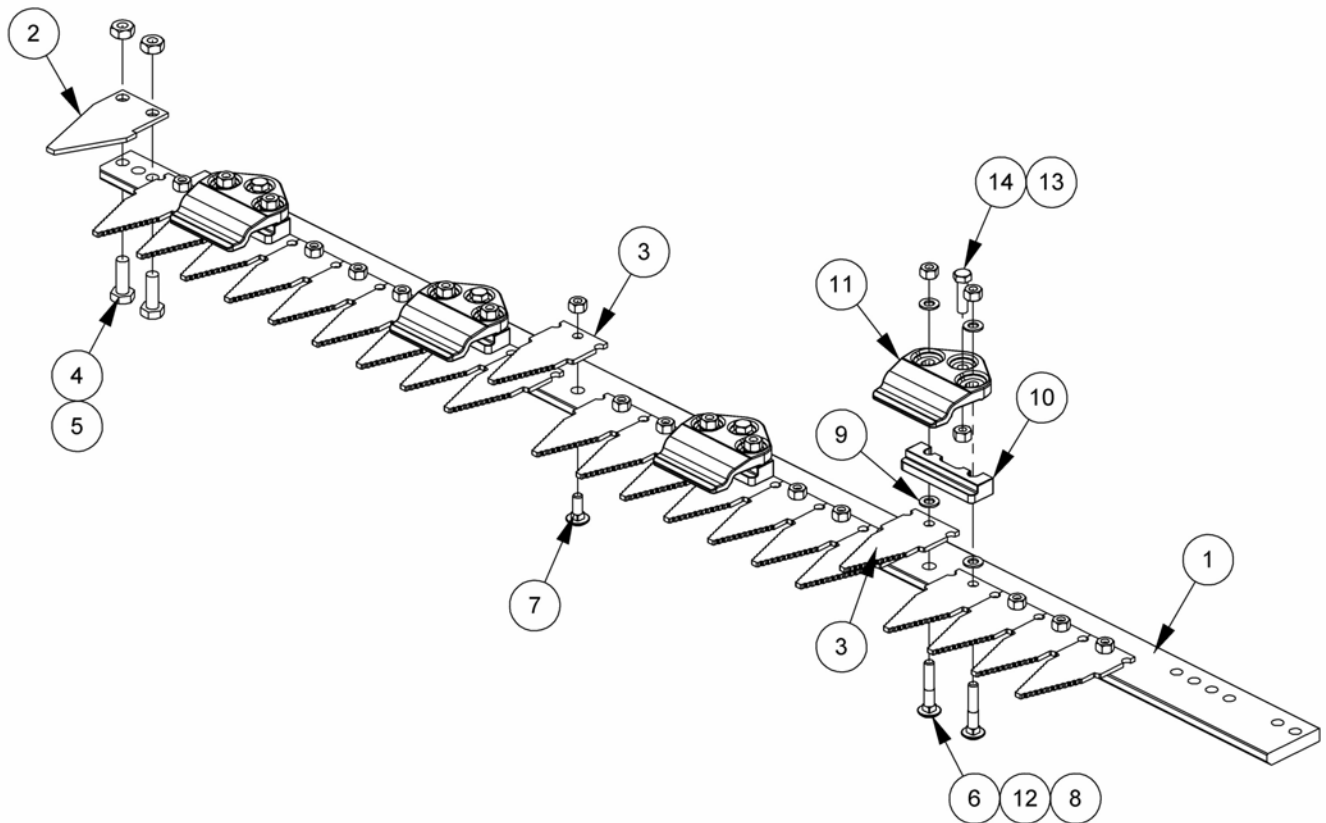


REF.	QTY.	PART NO.	DESCRIPTION
		1090290	1.2M CUTTERBAR MODULE
1	1	1090294	FINGER ASSEMBLY
2	1	1090291	KNIFE ASSEMBLY
3	1	1090292	KNIFE HEEL ASSEMBLY
4	1	1090091	KNIFE GUARD



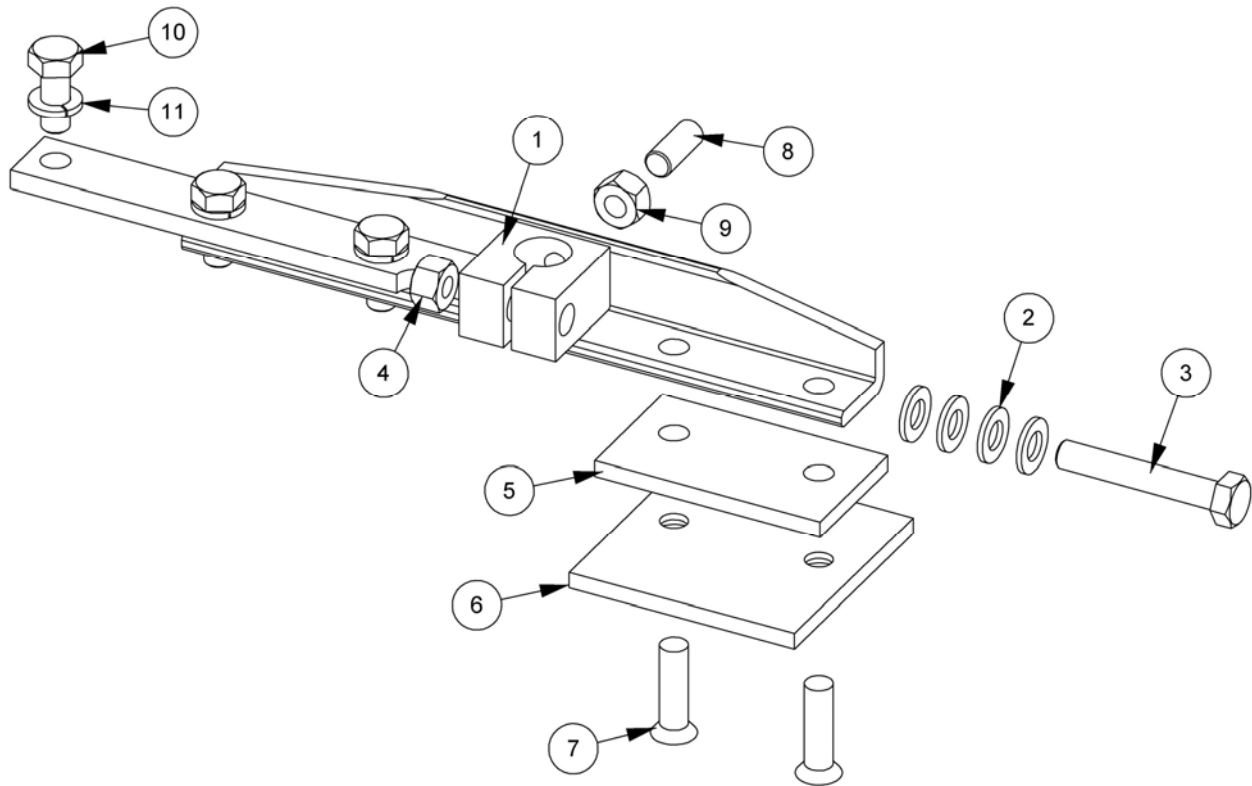
REF.	QTY.	PART NO.	DESCRIPTION
		1090291	KNIFE ASSEMBLY
1	1	1090070	KNIFE BACK
2	1	1090066	KNIFE SECTION
3	11	1090067	KNIFE SECTION
4	12	1090064	RIVET
5	5	1090062	RIVET
6	31	1090063	RIVET
7	1	1090069	REINFORCEMENT
8	4	1090068	ABUTMENT PLATE

Module:
1090294



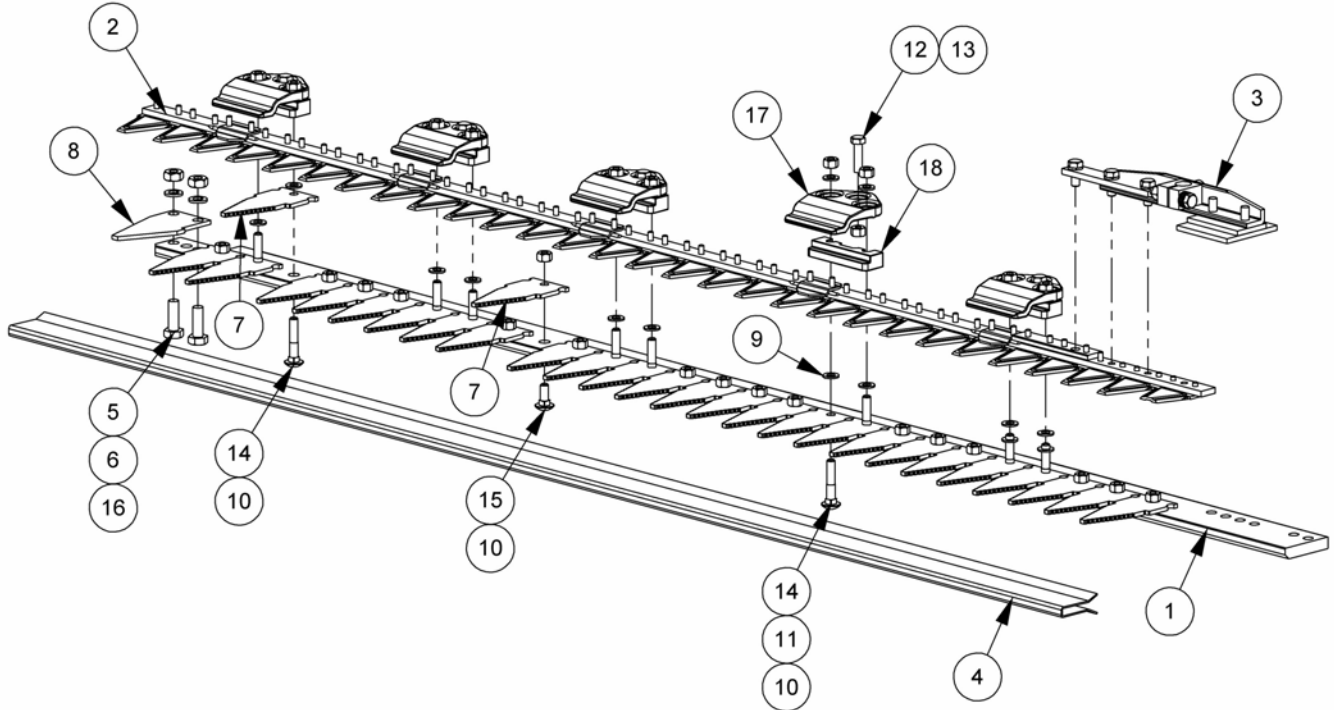
REF.	QTY.	PART NO.	DESCRIPTION
		1090294	FINGER ASSEMBLY
1	1	1090071	BAR
2	1	1090080	END FINGER
3	22	1090072	FINGER
4	2	9313065	SETSCREW
5	2	9113005	PLAIN NUT
6	8	1090077	DOME BOLT
7	14	1090073	DOME BOLT
8	22	9113004	NUT
9	8	1090078	WASHER
10	4	1090075	ABUTMENT BLOCK
11	4	1090074	KNIFE CLIP
12	8	1090079	PLAIN WASHER
13	4	9147004	SELF-LOCKING NUT
14	4	9313064	SETSCREW

Module:
1090292



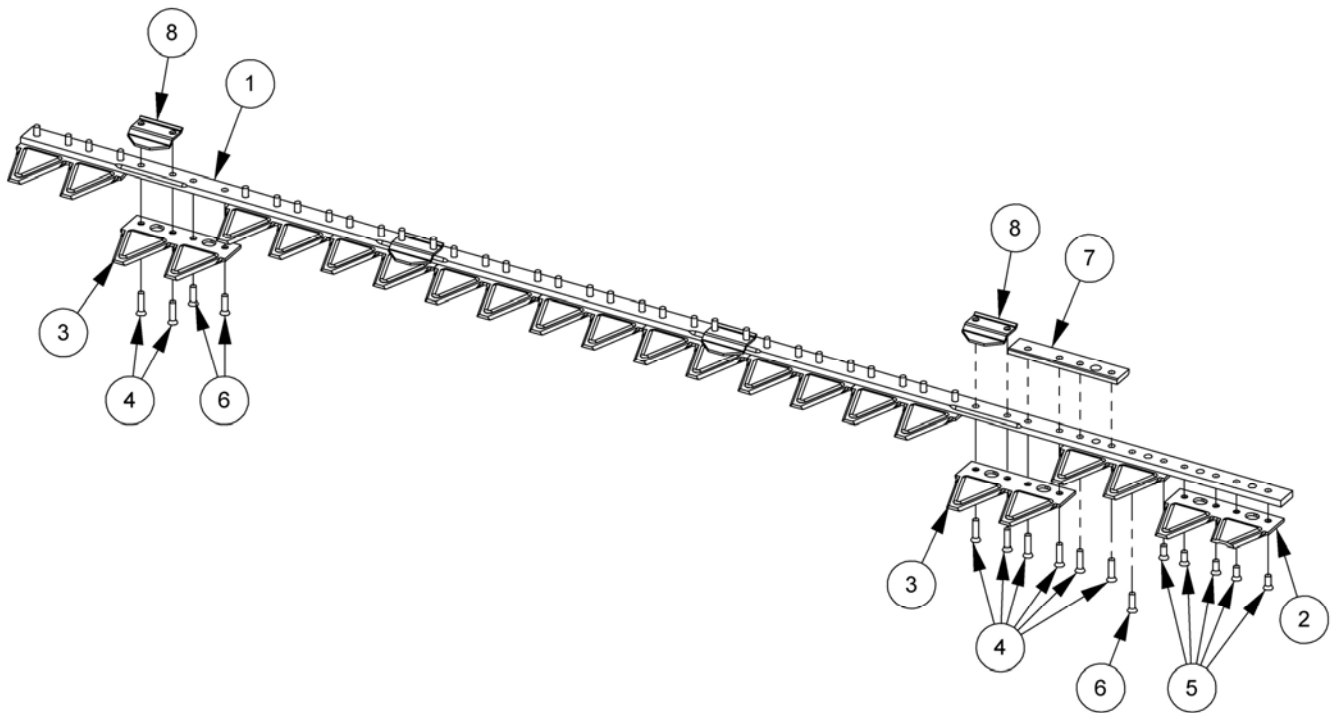
REF.	QTY.	PART NO.	DESCRIPTION
		1090292	KNIFE HEEL ASSEMBLY
1	1	1090081	KNIFE HEEL
2	4	1090119	DISC SPRING
3	1	9213104	BOLT
4	1	9143004	SELF-LOCKING NUT
5	1	1090083	WEAR PLATE
6	1	1090082	WEAR PLATE
7	2	1090084	RIVET
8	1	9363044	GRUB SCREW
9	1	9113004	NUT
10	3	9313044	BOLT
11	3	9100204	SPRING WASHER

Module:
1090326



REF.	QTY.	PART NO.	DESCRIPTION
		1090326	1.5M CUTTERBAR MODULE
1	1	1090151	BAR
2	1	1090327	KNIFE ASSEMBLY
3	1	1090292	KNIFE HEEL ASSEMBLY
4	1	1090152	KNIFE GUARD
5	2	9313065	SETSCREW
6	2	9100205	SPRING WASHER
7	27	1090072	FINGER
8	1	1090080	END FINGER
9	10	1090078	WASHER
10	27	9113004	NUT
11	10	1090119	DISC SPRING
12	5	9313064	SETSCREW
13	5	9147004	SELF-LOCKING NUT
14	10	1090077	DOME BOLT
15	17	1090073	DOME BOLT
16	2	9113005	PLAIN NUT
17	5	1090074	KNIFE CLIP
18	5	1090075	ABUTMENT BLOCK

Module:
1090327



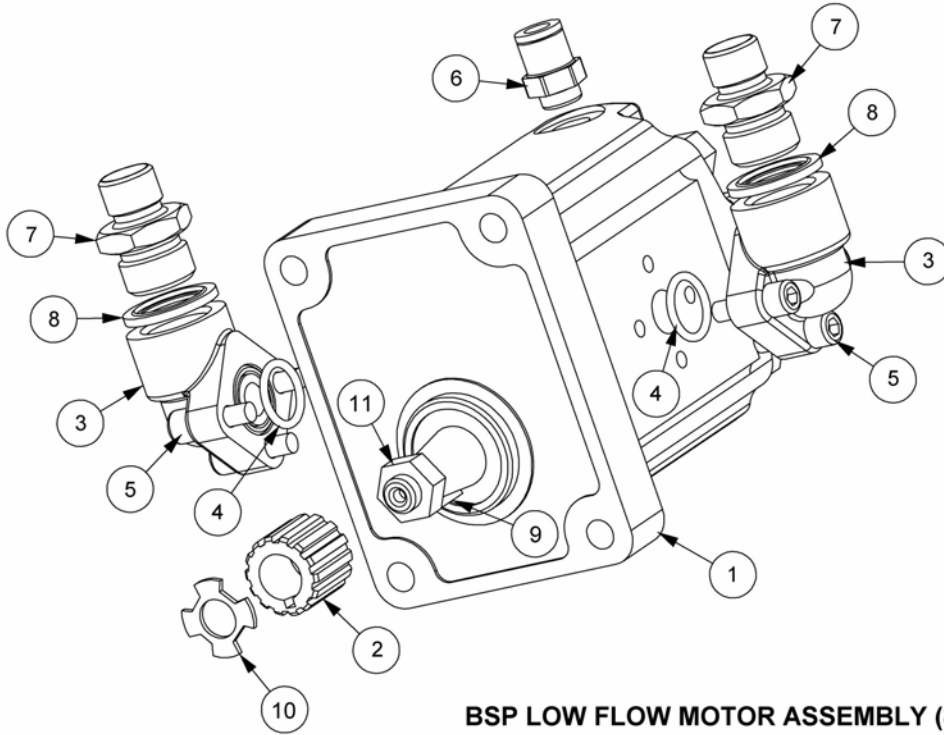
REF.	QTY.	PART NO.	DESCRIPTION
		1090327	KNIFE ASSEMBLY
1	1	1090150	KNIFE BACK
2	13	1090067	KNIFE SECTION
3	1	1090066	KNIFE SECTION
4	39	1090063	RIVET
5	14	1090064	RIVET
6	5	1090062	RIVET
7	1	1090069	REINFORCEMENT
8	5	1090068	ABUTMENT PLATE
9	1	1090149	KNIFE SECTION

LOW FLOW MOTOR (20 L/Min)

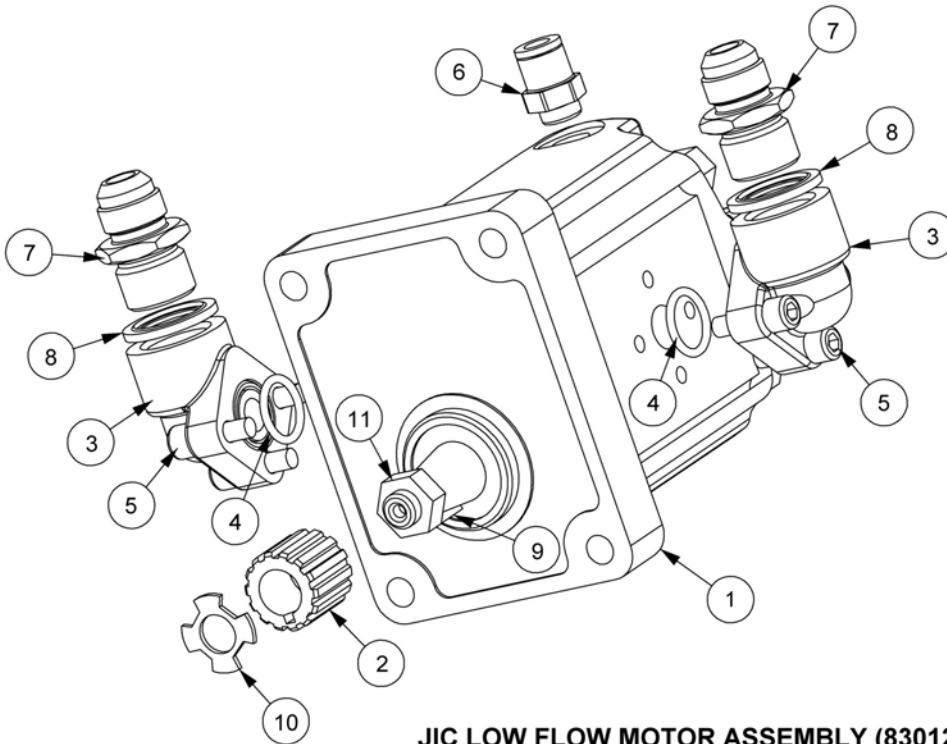
Modules:

8301266 – BSP Build

8301267 – JIC Build



BSP LOW FLOW MOTOR ASSEMBLY (8301266)



JIC LOW FLOW MOTOR ASSEMBLY (8301267)

LOW FLOW MOTOR (20 L/Min)

REF.	QTY.	PART NO.	DESCRIPTION
		8301266	BSP LOW FLOW MOTOR ASSEMBLY (20 L/Min)
		8301288	LOW FLOW MOTOR & COUPLINGS - <i>consists of:</i>
1	1	8301287	MOTOR
2	1	1090035	SPLINED ADAPTOR
3	2	8301045	ELBOW KIT (Includes O Ring & 3 x Capscrews)
4	2	8600112	O RING
5	6	9343043	CAPSCREW
6	1	8581330	UNION
7	2	6000112	BSP ADAPTOR
8	2	8650104	BONDED SEAL
9	1	8201133	WOODRUFF KEY
10	1	8201134	TAB WASHER
11	1	8201135	SPECIAL THIN NUT

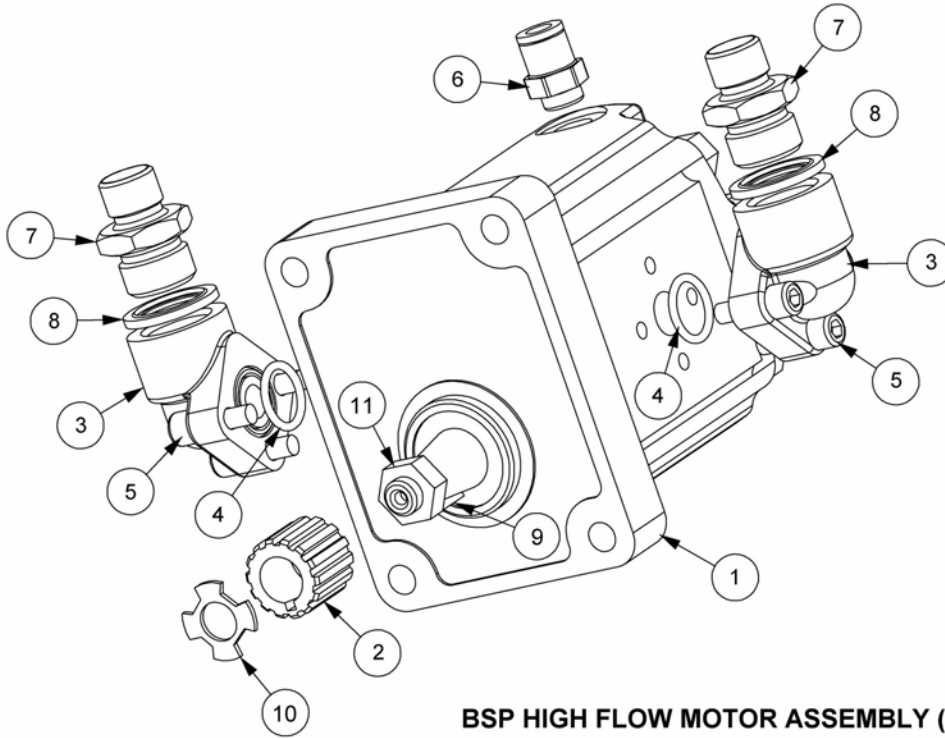
		8301267	JIC LOW FLOW MOTOR ASSEMBLY (20 L/Min)
	1	8301288	LOW FLOW MOTOR & COUPLINGS - <i>consists of:</i>
1	1	8301287	MOTOR
2	1	1090035	SPLINED ADAPTOR
3	2	8301045	ELBOW KIT (Includes O Ring & 3 x Capscrews)
4	2	8600112	O RING
5	6	9343043	CAPSCREW
6	1	8581330	UNION
7	2	8120003	JIC ADAPTOR
8	2	8650104	BONDED SEAL
9	1	8201133	WOODRUFF KEY
10	1	8201134	TAB WASHER
11	1	8201135	SPECIAL THIN NUT

8699243 SEAL KIT for Low Flow Motor

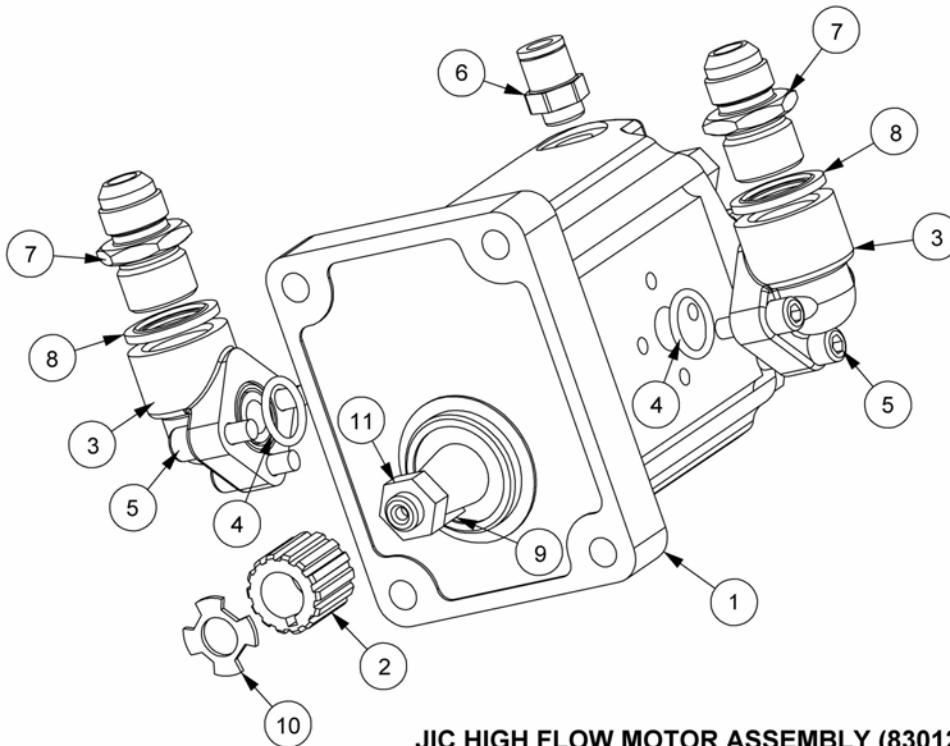
Modules:

8301269 – BSP Build

8301270 – JIC Build



BSP HIGH FLOW MOTOR ASSEMBLY (8301269)



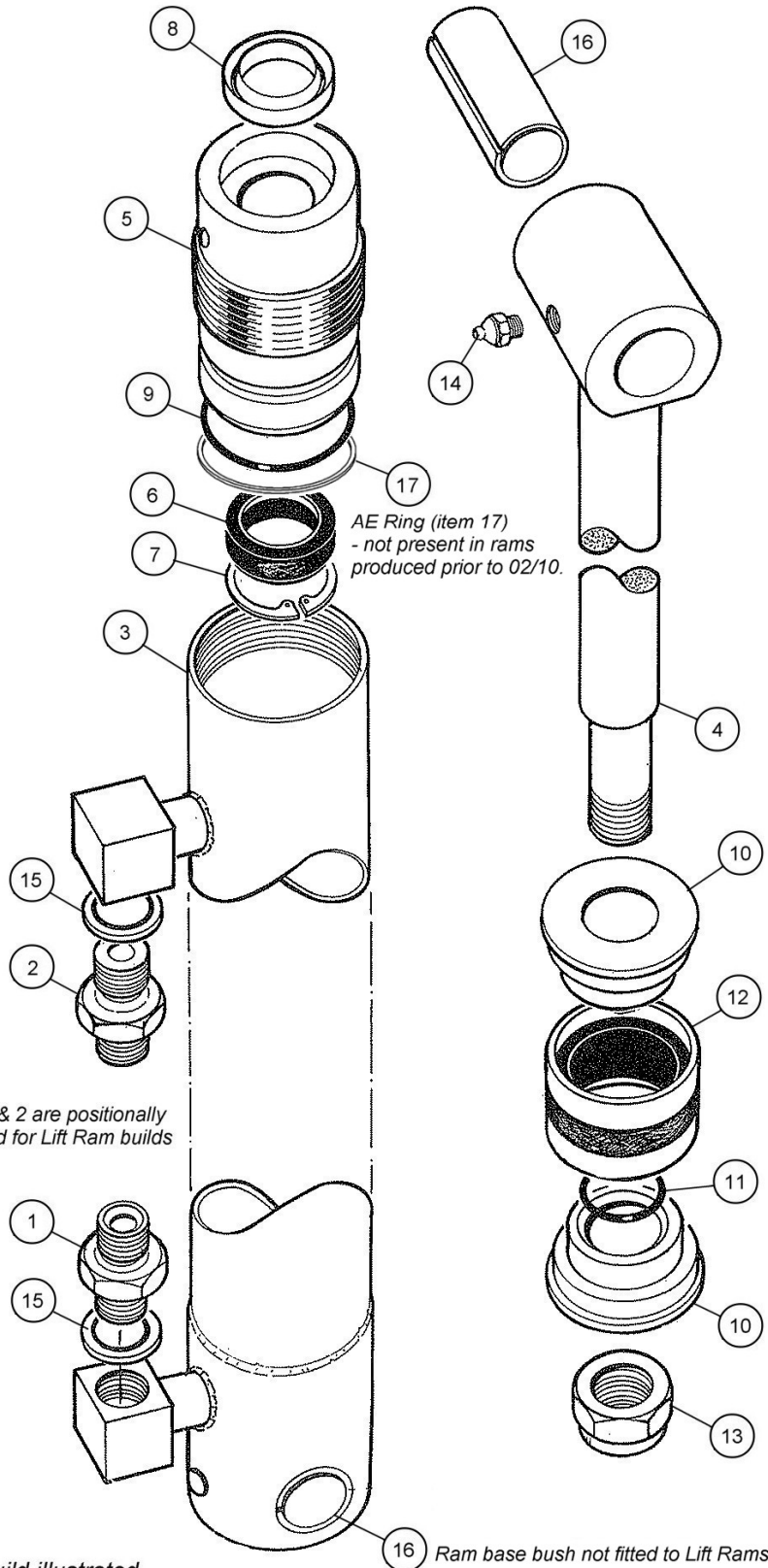
JIC HIGH FLOW MOTOR ASSEMBLY (8301270)

HIGH FLOW MOTOR (30 L/Min)

REF.	QTY.	PART NO.	DESCRIPTION
		8301269	BSP HIGH FLOW MOTOR ASSEMBLY (30 L/Min)
1	1	8301297	HIGH FLOW MOTOR
2	1	1090035	SPLINED ADAPTOR
3	2	8301045	ELBOW KIT (Includes O Ring & 3 x Capscrews)
4	2	8600112	O RING
5	6	9343043	CAPSCREW
6	1	8581330	UNION
7	2	6000112	BSP ADAPTOR
8	2	8650104	BONDED SEAL
9	1	8201133	WOODRUFF KEY
10	1	8201134	TAB WASHER
11	1	8201135	SPECIAL THIN NUT
		8301270	JIC HIGH FLOW MOTOR ASSEMBLY (30 L/Min)
1	1	8301297	HIGH FLOW MOTOR
2	1	1090035	SPLINED ADAPTOR
3	2	8301045	ELBOW KIT (Includes O Ring & 3 x Capscrews)
4	2	8600112	O RING
5	6	9343043	CAPSCREW
6	1	8581330	UNION
7	2	8120003	JIC ADAPTOR
8	2	8650104	BONDED SEAL
9	1	8201133	WOODRUFF KEY
10	1	8201134	TAB WASHER
11	1	8201135	SPECIAL THIN NUT
		8699227	SEAL KIT for High Flow Motor

Modules:

- 1090300 – Lift BSP Builds
- 1090301 – Lift JIC Build
- 1090302 – Reach & Angle BSP Builds
- 1090303 – Reach & Angle JIC Builds



REF.	QTY.	PART NO.	DESCRIPTION
		1090302	REACH & ANGLE RAMS (Ø 40mm) - BSP Build
		1090300	LIFT RAM (Ø 40mm) - BSP Build
1	1	8581145	UNION (BSP)
2	1	8130068	RESTRICTOR UNION (BSP)
3	1	1090272	CYLINDER
4	1	1090031	PISTON ROD
5	1	1090273	GLAND NUT
6	1	8629162	GLAND SEAL
7	1	0416234	CIRCLIP
8	1	8629161	WIPER RING
9	1	8600124	O RING (<i>Rams manufactured 02/10 onwards</i>)
	1	8600123	O RING (<i>Rams manufactured prior to 02/10</i>)
10	1	1090034	PISTON
11	1	8600112	O RING
12	1	8629160	PISTON SEAL
13	1	0141007	SELF-LOCKING NUT
14	1	0901121	GREASER
15	2	8650103	BONDED SEAL
16	2	1130002	BUSH - <i>Qty 1 on Lift Rams</i>
17	1	8609124	AE RING (<i>Rams manufactured 02/10 onwards</i>) <i>AE Ring 8609124 not fitted to rams prior to 02/10</i>

8699202 SEAL KIT

REF.	QTY.	PART NO.	DESCRIPTION
		1090303	REACH & ANGLE RAMS (Ø 40mm) - JIC Build
		1090301	LIFT RAM (Ø 40mm) - JIC Build
1	1	08.955.06	ADAPTOR (JIC)
2	1	8124126	RESTRICTOR UNION (JIC)
3	1	1090272	CYLINDER
4	1	1090031	PISTON ROD
5	1	1090273	GLAND NUT
6	1	8629162	GLAND SEAL
7	1	0416234	CIRCLIP
8	1	8629161	WIPER RING
9	1	8600124	O RING (<i>Rams manufactured 02/10 onwards</i>)
	1	8600123	O RING (<i>Rams manufactured prior to 02/10</i>)
10	1	1090034	PISTON
11	1	8600112	O RING
12	1	8629160	PISTON SEAL
13	1	0141007	SELF-LOCKING NUT
14	1	0901121	GREASER
15	2	8650103	BONDED SEAL
16	2	1130002	BUSH - <i>Qty 1 on Lift Rams</i>
17	1	8609124	AE RING (<i>Rams manufactured 02/10 onwards</i>) <i>AE Ring 8609124 not fitted to rams prior to 02/10</i>

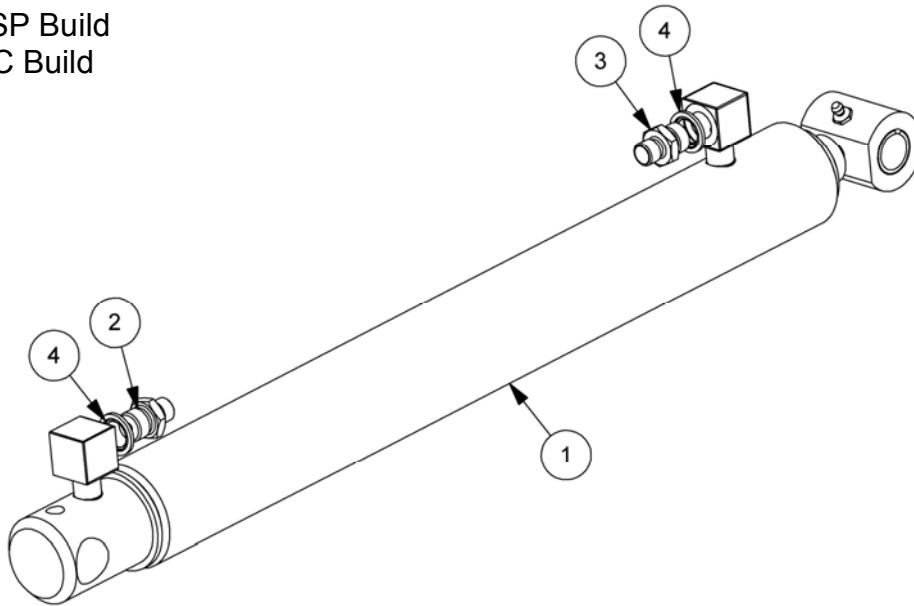
8699202 SEAL KIT

NOTE: On Ø40mm Lift Ram assemblies 1090300 & 1090301 items 1 & 2 are positionally reversed and item 16 not applicable at ram base. Items 3 - 15 are common to all rams listed on this page.

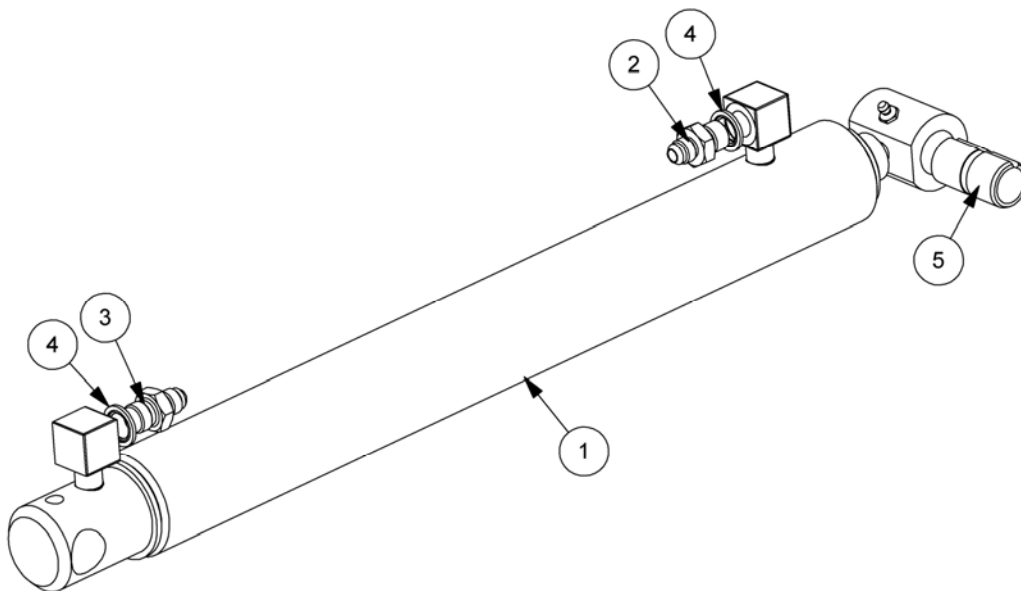
Modules:

1090305 – BSP Build

1090306 – JIC Build



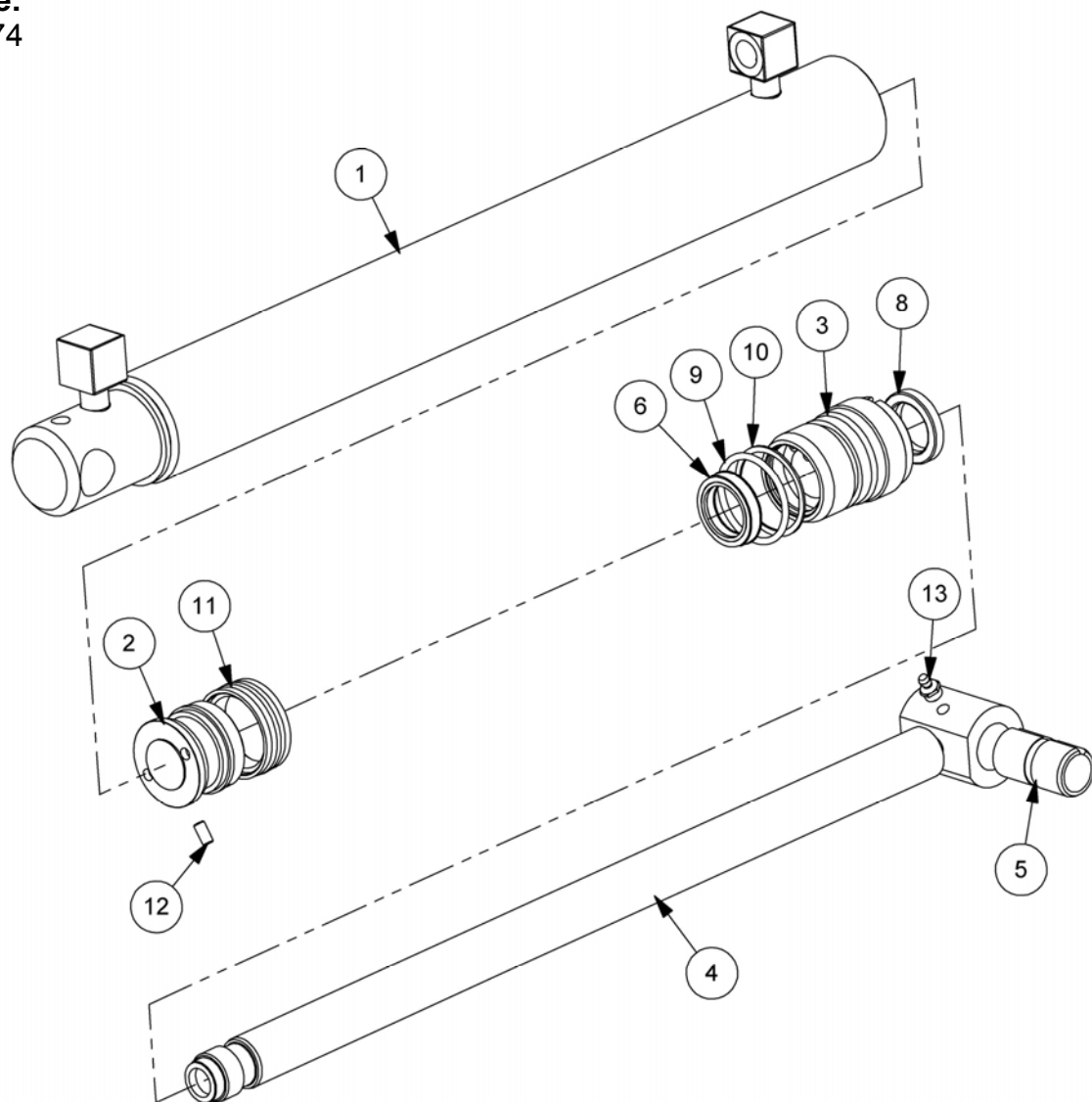
REF.	QTY.	PART NO.	DESCRIPTION
		1090305	LIFT RAM ASSEMBLY (Ø50mm) - BSP Build
1	1	1090274	LIFT RAM ASSEMBLY - Ø50 BORE
2	1	8581145	ADAPTOR
3	1	8130068	RESTRICTOR
4	2	8650103	BONDED SEAL
		8699188	SEAL KIT



REF.	QTY.	PART NO.	DESCRIPTION
		1090306	LIFT RAM ASSEMBLY (Ø50mm) - JIC Build
1	1	1090274	BASIC RAM ASSEMBLY
2	1	08.955.06	ADAPTOR (JIC)
3	1	8124116	ADAPTOR RESTRICTOR (JIC)
4	2	8650103	BONDED SEAL
		8699188	SEAL KIT

BASIC Ø50mm RAM ASSEMBLY

Module:
1090274

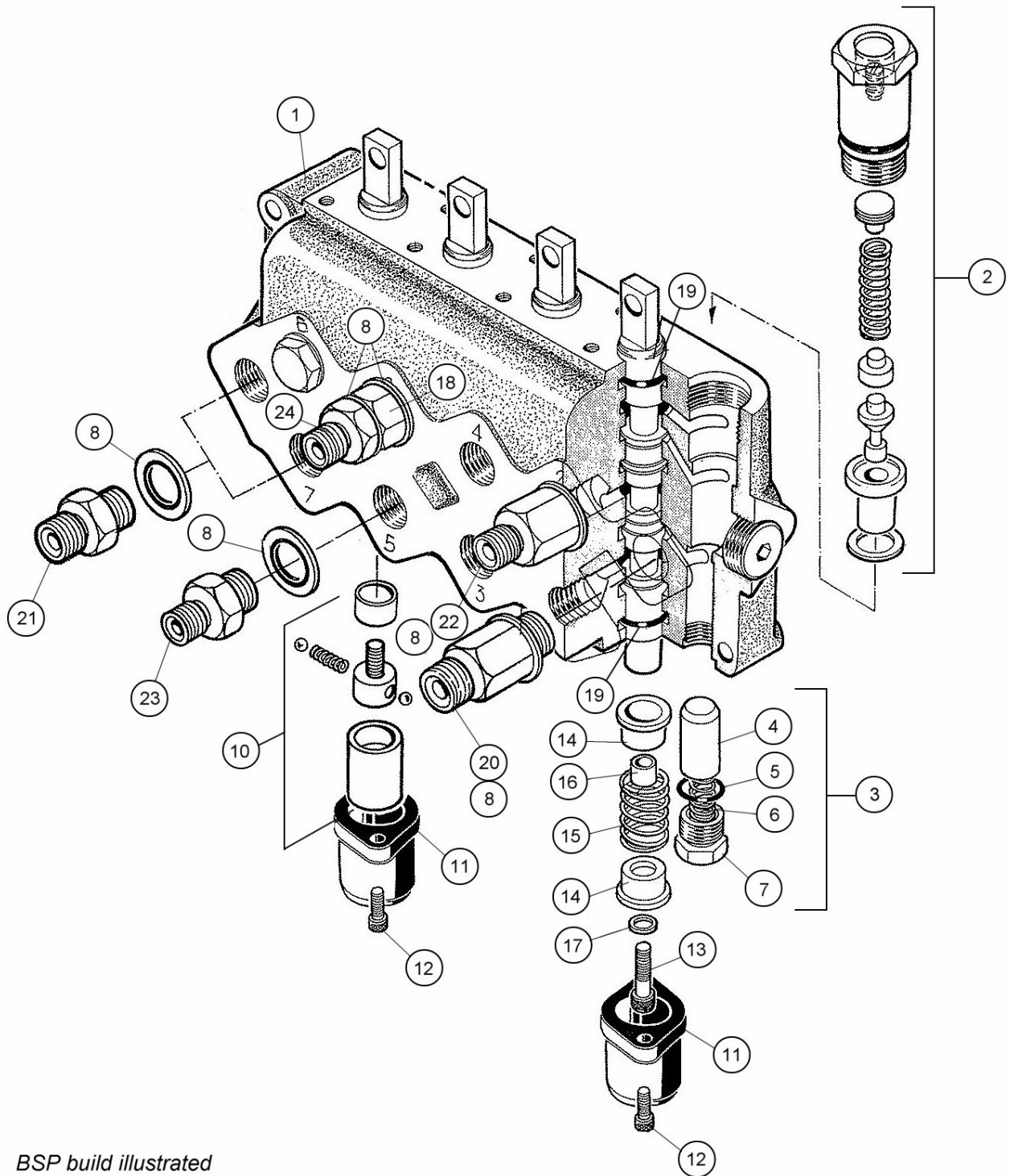


REF.	QTY.	PART NO.	DESCRIPTION
		1090274	BASIC RAM ASSEMBLY (Ø50mm)
1	1	1090275	RAM BARREL
2	1	7135008	PISTON
3	1	7135291	GLAND HOUSING
4	1	1090122	PISTON ROD
5	1	1130002	BUSH
6	1	8629148	GLAND SEAL
7	1	0416240	INTERNAL CIRCLIP
8	1	8629149	SCRAPER RING
9	1	8600302	O RING
10	1	8609302	AE RING
11	1	8638788	PISTON SEAL
12	1	9363023	GRUB SCREW
13	1	0901121	GREASE NIPPLE
		8699188	SEAL KIT

Modules:

8130358 – BSP build

8130359 – JIC build



BSP build illustrated

CABLE CONTROL VALVE

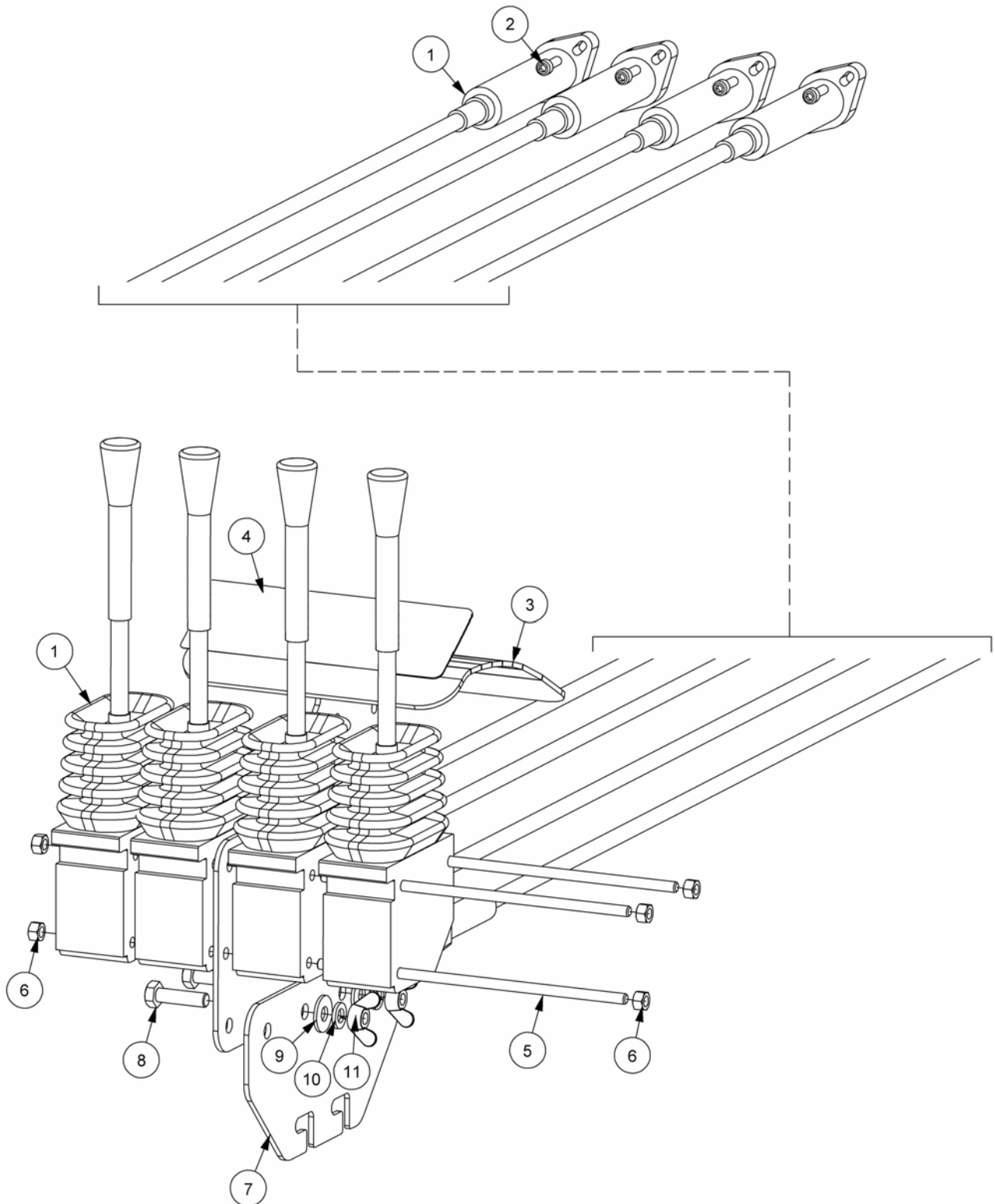
REF.	QTY.	PART NO.	DESCRIPTION
		8130358	CABLE CONTROL VALVE - BSP Models
		8130359	CABLE CONTROL VALVE - JIC Models
1	1	8130355	BASIC VALVE - <i>complete with:</i>
2	1	8130023	MAIN RELIEF VALVE
3	1	8130022	NON-RETURN VALVE - <i>comprising of:</i>
4	1	8130006	SUPPLY CHECK VALVE
5	1	8600501	O RING
6	1	8130007	SPRING
7	1	8130008	PLUG
8	11	8650103	BONDED SEAL
9	1	8130147	RELIEF VALVE ASSEMBLY
10	1	8130133	DETENT ASSEMBLY
11	4	8130002	CENTRING SPRING COVER
12	8	9343032	CAPSCREW
13	4	9383043	SETSCREW
14	8	8130003	CENTRING SPRING CUP
15	4	8130004	CENTRING SPRING
16	4	8130005	DISTANCE PIECE
17	4	8130020	WASHER
18	2	8581208	RESTRICTOR ADAPTOR
19	8	8600112	O RING

Items 1 - 19 above are common to both BSP and JIC builds, items 20 - 24 below are specific to a particular build. Select items from list 'A' for BSP build or list 'B' for JIC build.

A		8130358	BSP Build
20	1	8581236	UNION (<i>BSP</i>)
21	2	6000113	UNION (<i>BSP</i>)
22	1	8581146	UNION (<i>BSP</i>)
23	3	8581145	UNION (<i>BSP</i>)
24	2	8130068	RESTRICTOR (<i>BSP</i>)
B		8130359	JIC Build
20	1	8581235	UNION (<i>JIC</i>)
21	2	8581217	UNION (<i>JIC</i>)
22	1	8581218	UNION (<i>JIC</i>)
23	3	1075115	UNION (<i>JIC</i>)
24	2	8130130	RESTRICTOR (<i>JIC</i>)

Modules:

Sub-components of 8130358 & 8130359

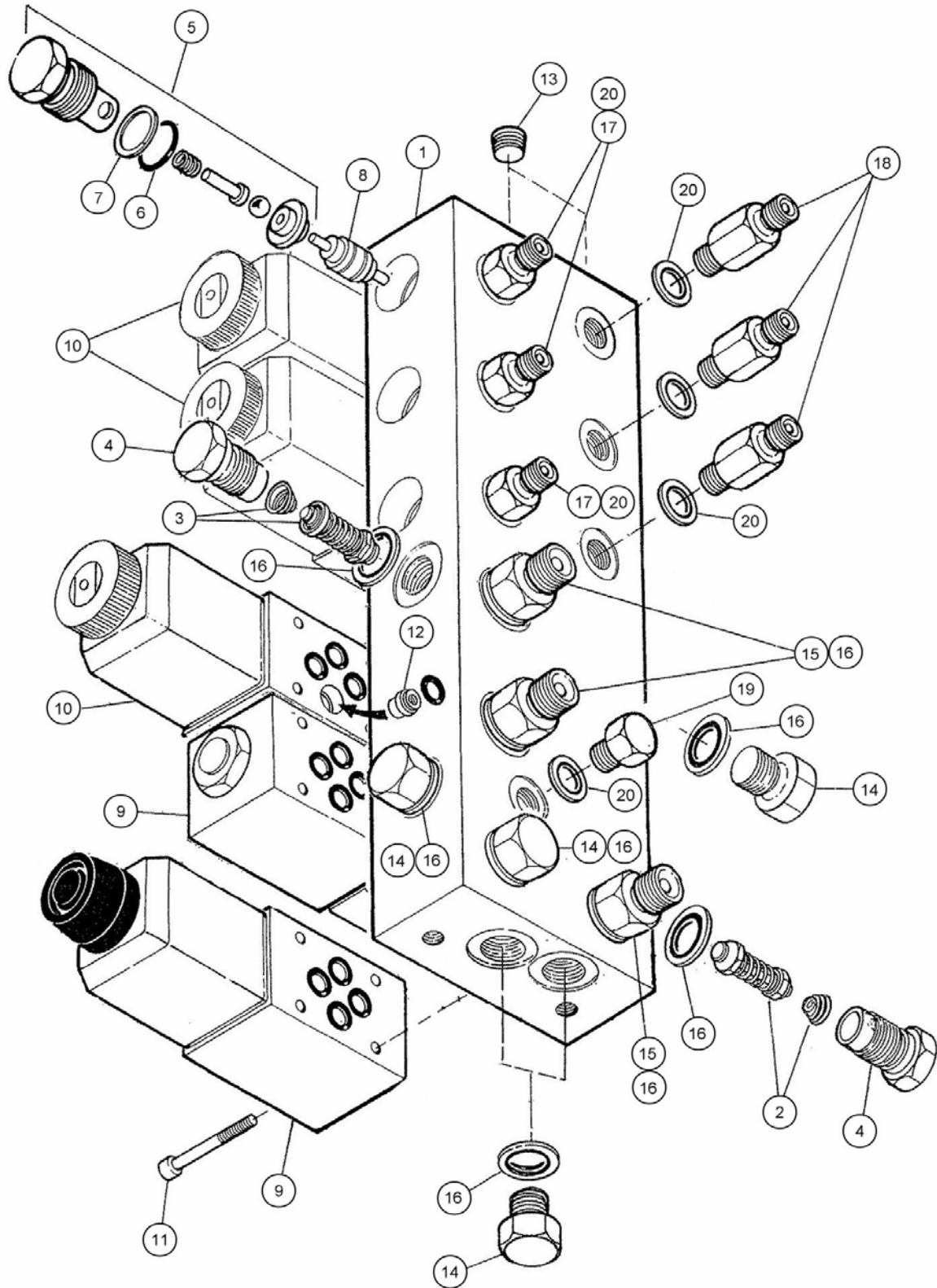


CABLE CONTROLS ASSEMBLY

REF.	QTY.	PART NO.	DESCRIPTION
Sub-components of:		8130358	CABLE CONTROL VALVE - BSP Models
Sub-components of:		8130359	CABLE CONTROL VALVE - JIC Models
1	4	8019058	CONTROL HEAD & CABLE - 2.5m
2	8	9343032	CAPSCREW
3	1	7650306	ARMREST - 4 LEVER
4	1	1290270	DECAL - CONTROL OPERATION
5	3	04.282.70	STUD
6	6	9143003	SELF-LOCKING NUT
7	1	42491.01	CAB MOUNTING BRACKET
8	2	9213064	BOLT
9	2	9100104	FLAT WASHER
10	2	9100204	SPRING WASHER
11	2	9193004	WING NUT
12	1	09.968.99	KNOB (RED) - <i>Reach Control Lever</i>
13	1	8017068	KNOB (YELLOW) - <i>Lift Control Lever</i>
14	1	8017067	KNOB (GREEN) - <i>Angle Control Lever</i>

1*	4	8019047	Cable head & cable 4 mtr.
-----------	----------	----------------	--------------------------------------

Module:
1090360



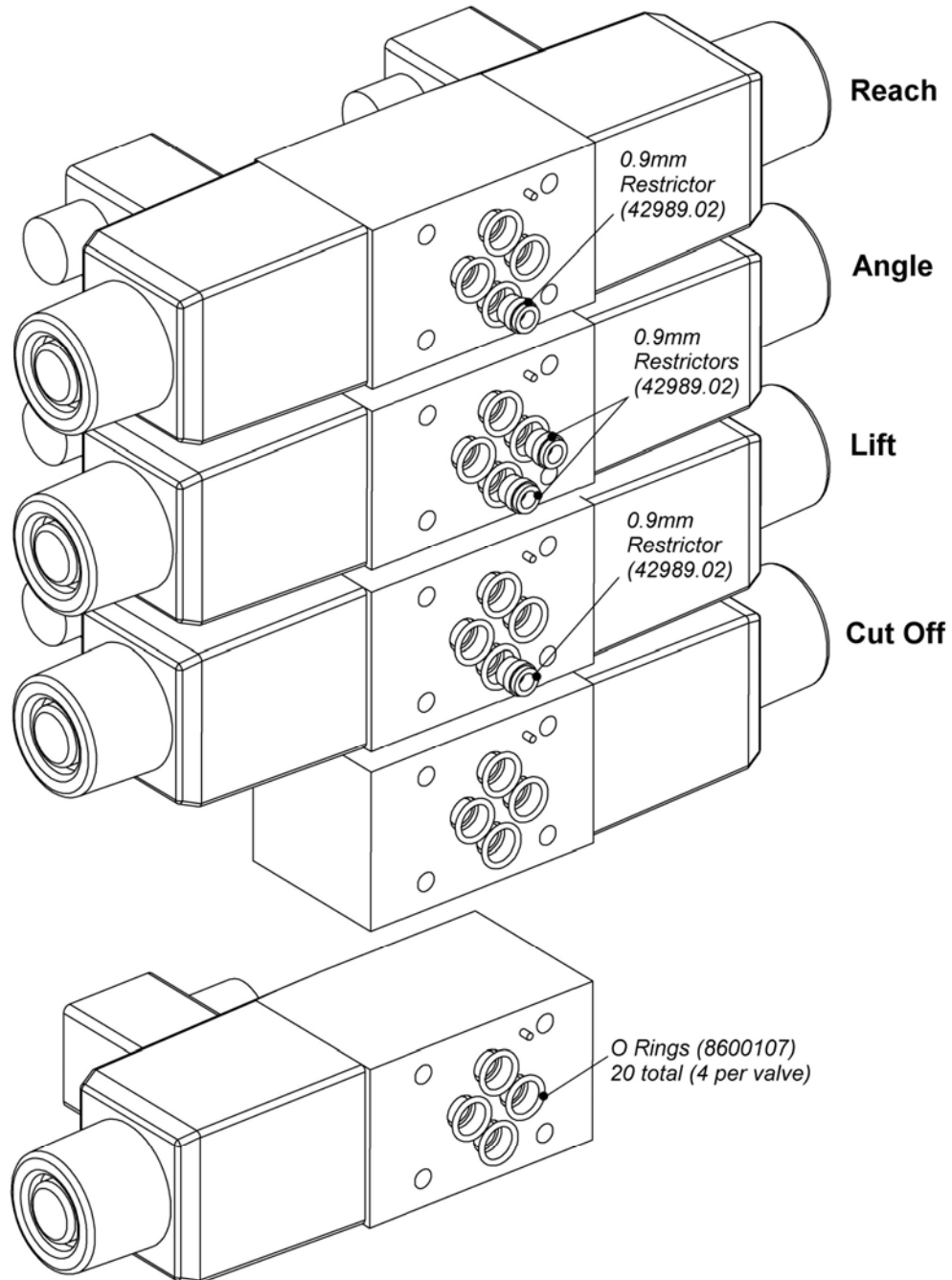
PROPORTIONAL VALVE

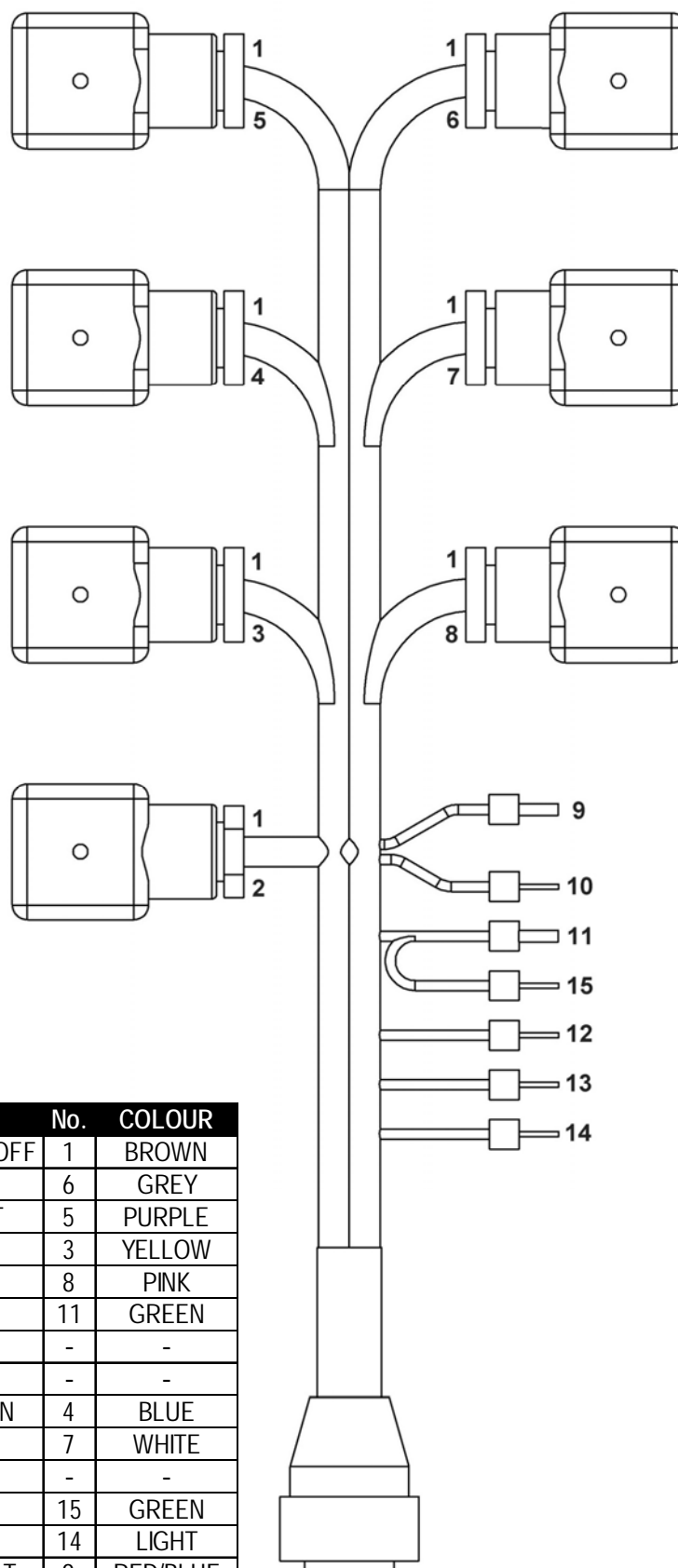
REF.	QTY.	PART NO.	DESCRIPTION
		1090360	PROPORTIONAL VALVE ASSEMBLY
1	1	8132276	MANIFOLD BLOCK
2	1	8130151	RELIEF VALVE (100BAR) - <i>Arm Services</i>
3	1	8130151	RELIEF VALVE (100BAR) - <i>Motor</i>
4	2	8130032	RELIEF VALVE CAP
5	6	8130090	CHECK VALVE ASSEMBLY c/w:
6	1	8700644	O RING
7	1	8709644	AE RING
8	3	8130087	ACTUATOR
9	2	8130456	SINGLE SOLENOID VALVE
10	3	41784.48	PROPORTIONAL DOUBLE SOLENOID
11	20	9243062	CAPSCREW
12	4	42989.02	RESTRICTOR INSERT
13	2	8582042	TAPER PLUG
14	6	05.433.01	HEXAGON PLUG
15	4	6000113	UNION
16	11	8650103	BONDED SEAL
17	3	8581169	UNION
18	3	8581279	EXTENDED UNION
19	4	520378	HEXAGON PLUG
20	10	8650102	BONDED SEAL
		8699197	SEAL KIT

Note: Replacement O Rings for Solenoid Valves are Part No. 8600107

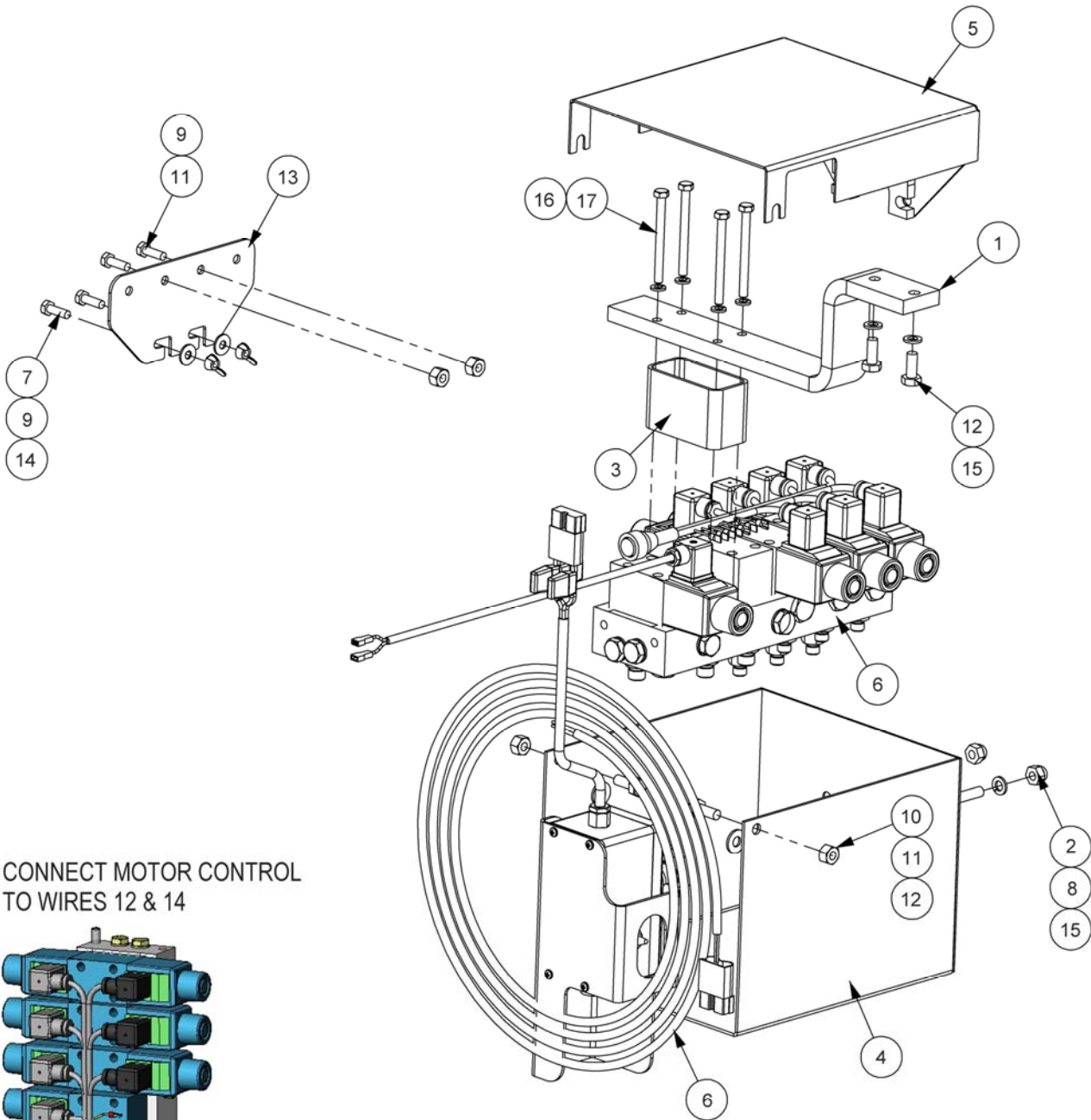
RESTRICTOR LOCATIONS

Module:
1090360 Sub-components

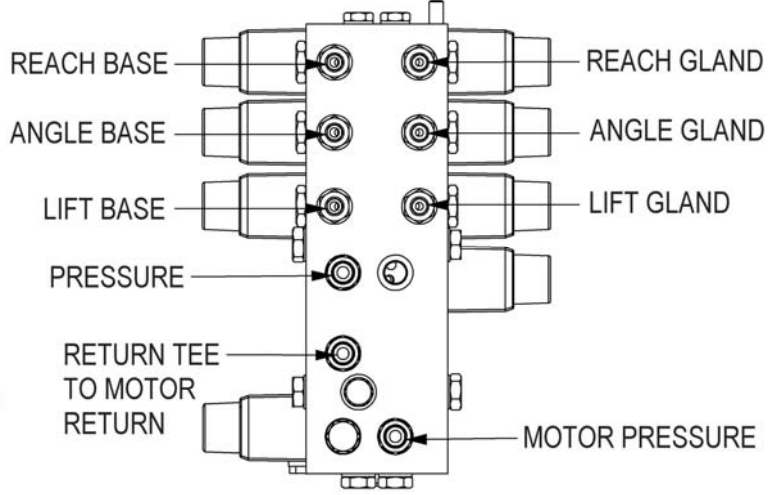
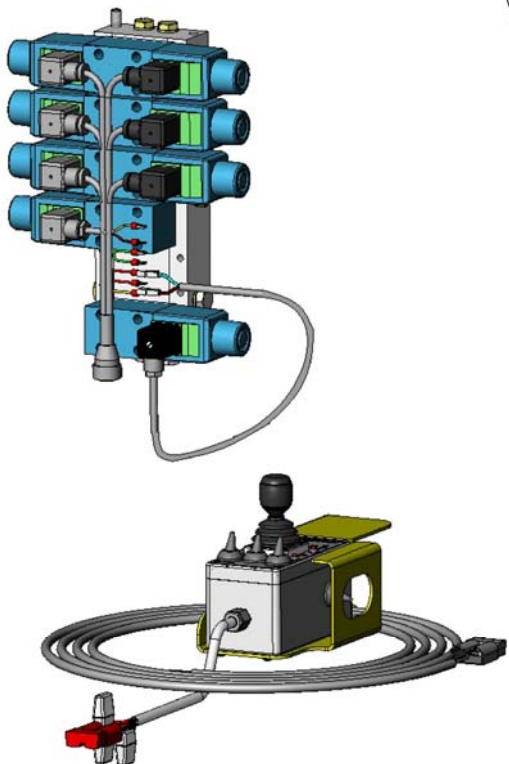




IDENT.	FUNCTION	No.	COLOUR
A	COMMON + C.OFF	1	BROWN
B	REACH IN	6	GREY
C	REACH OUT	5	PURPLE
D	LIFT UP	3	YELLOW
E	LIFT DOWN	8	PINK
F	COMMON	11	GREEN
G	-	-	-
H	-	-	-
J	ANGLE DOWN	4	BLUE
K	ANGLE UP	7	WHITE
L	-	-	-
M	COMMON	15	GREEN
N	COMMON	14	LIGHT
P	ANGLE FLOAT	9	RED/BLUE
R	FLOAT OPTION	10	RED/WHITE
S	PUMP 1	12	BLACK
T	PUMP 2	13	ORANGE
V	CUT OFF	2	RED



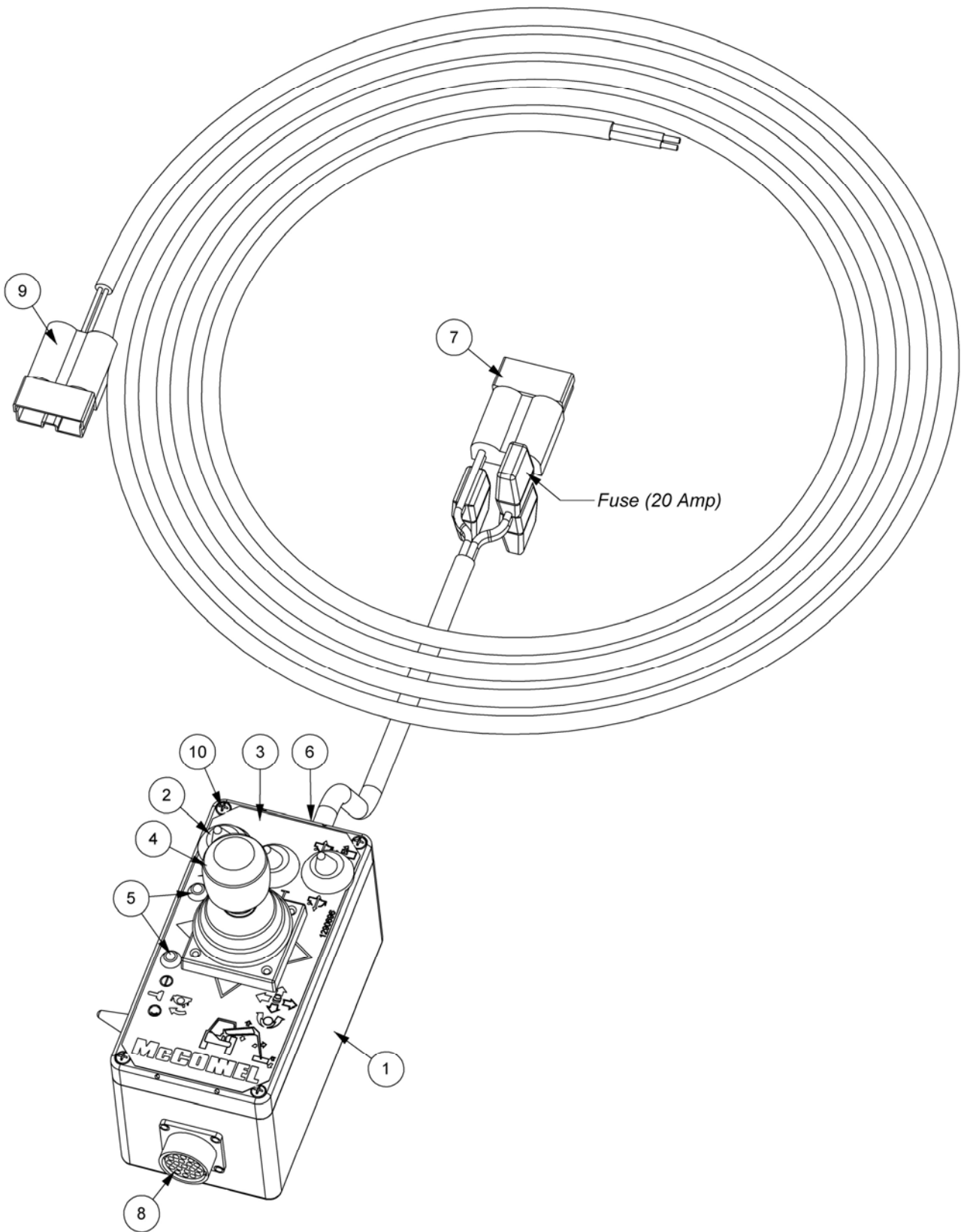
CONNECT MOTOR CONTROL TO WIRES 12 & 14





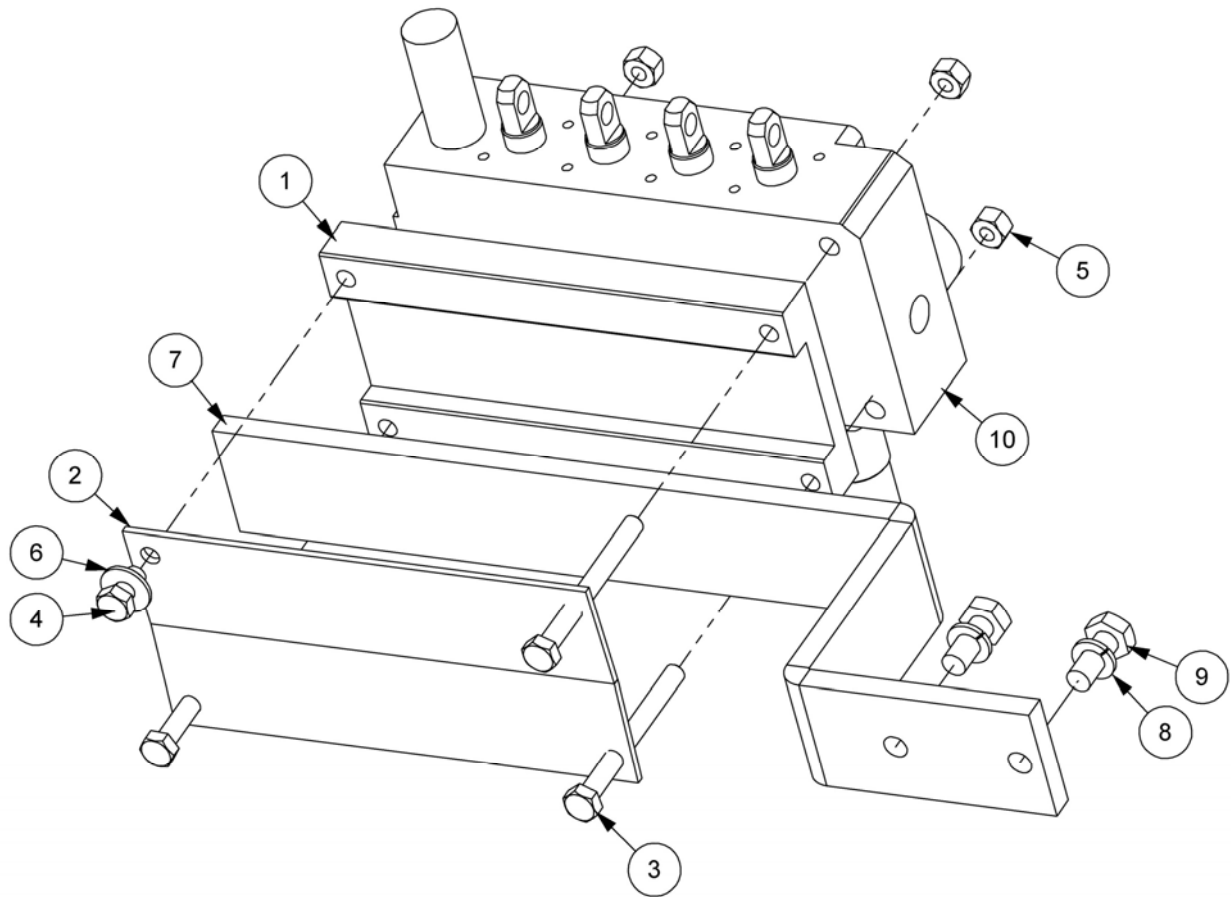
REF.	QTY.	PART NO.	DESCRIPTION
		1090706	PROP. MINI XTC VALVE KIT (BSP)
1	1	43087.01	MOUNTING BAR
2	2	42198.05	STUD
3	1	43124.01	SPACER
4	1	43086.01	VALVE COVER
5	1	43086.03	BACK PLATE
6	1	1090360	SOLENOID/MANIFOLD ASSEMBLY
7	2	9100104	FLAT WASHER
8	2	9100025	DOME NUT
9	4	9313054	SETSCREW
10	2	9100105	FLAT WASHER
11	4	9143005	SELF-LOCKING NUT
12	4	9313055	SETSCREW
13	1	42491.01	CAB MOUNTING BRACKET
14	2	9193004	WING NUT
15	4	9100205	SPRING WASHER
16	4	9100204	SPRING WASHER
17	4	9213184	BOLT

Module:
8402394

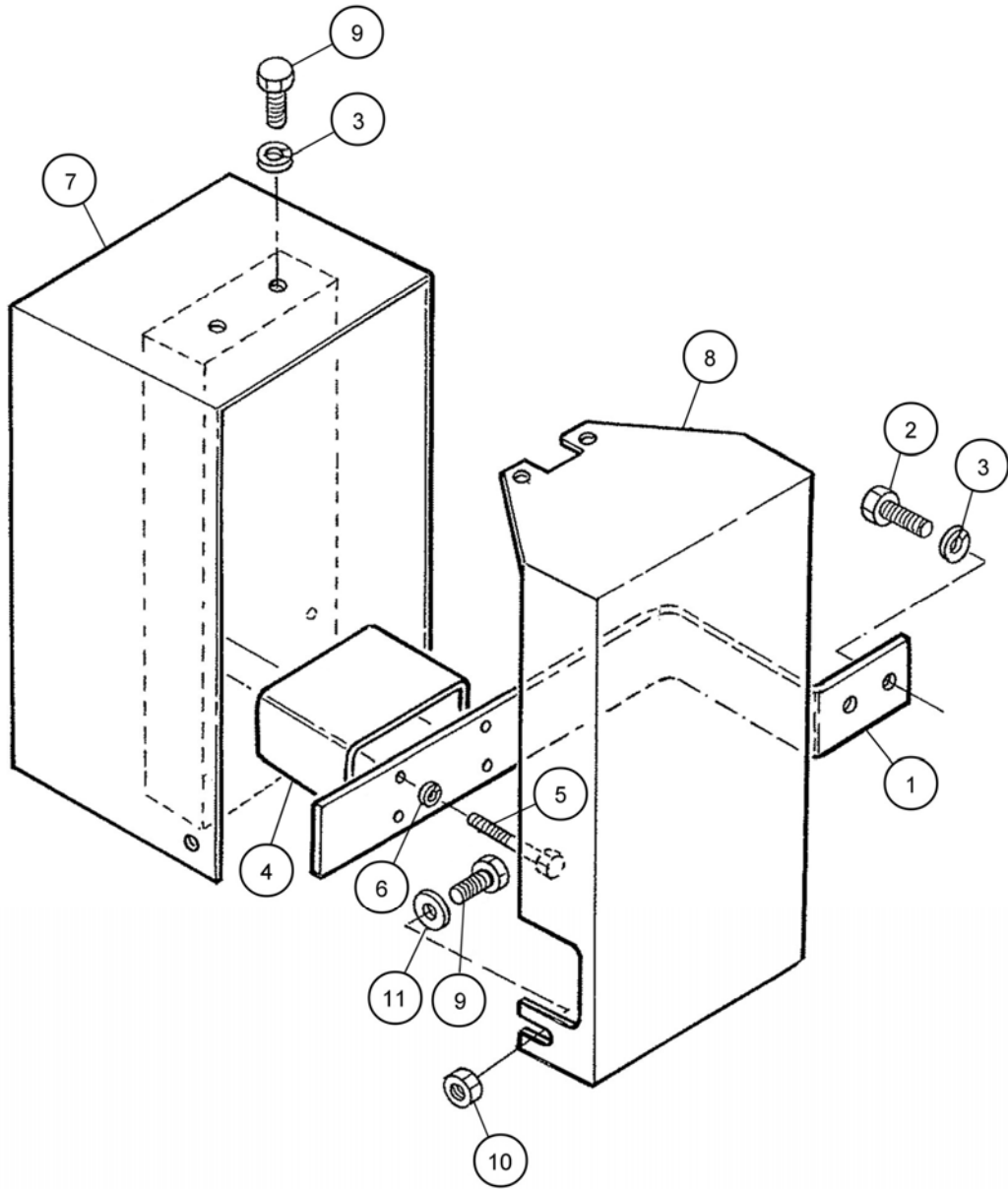


PROPORTIONAL CONTROL UNIT

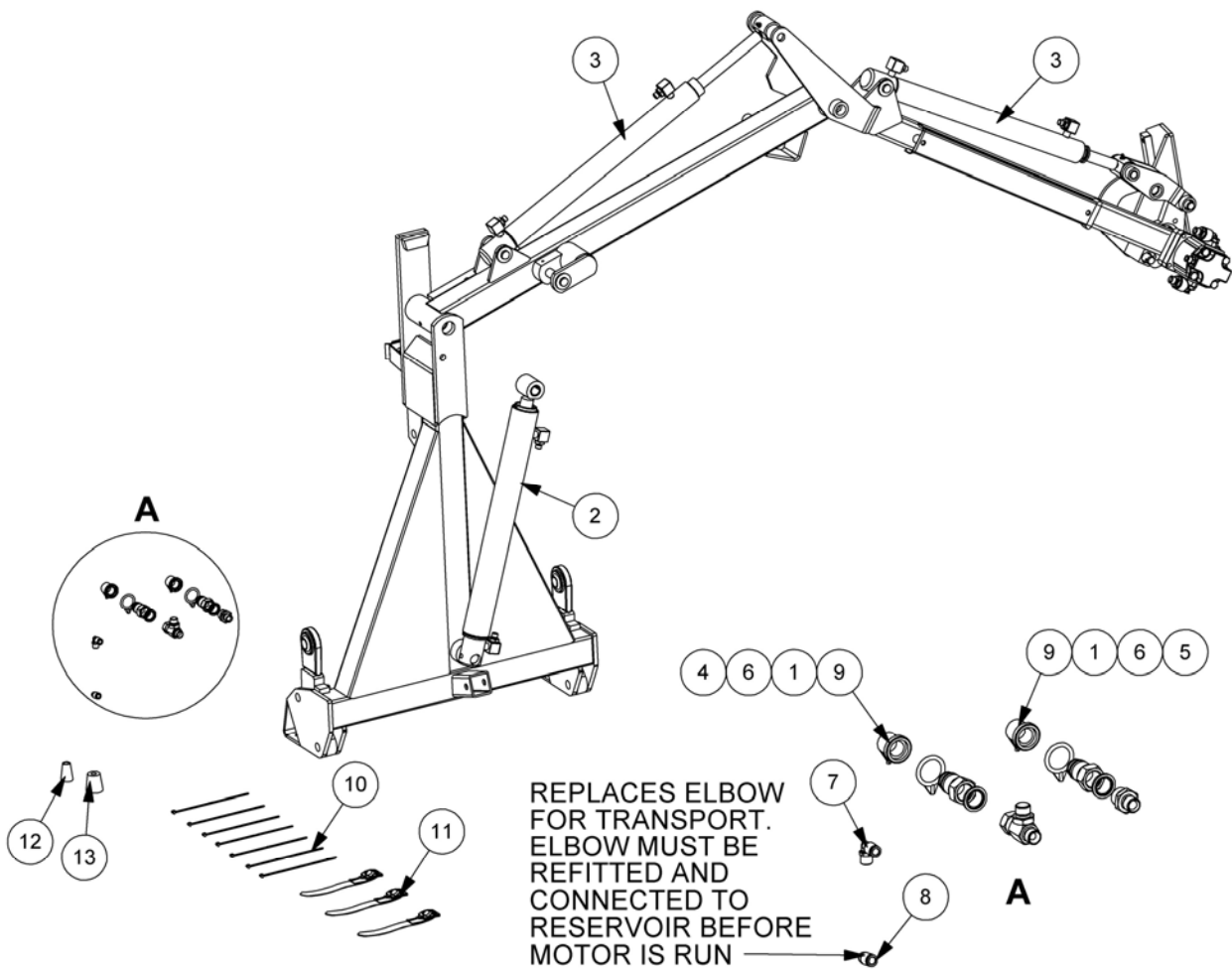
REF.	QTY.	PART No.	DESCRIPTION
		8402394	MINI PROPORTIONAL CONTROL
1		8402400	SWITCHBOX
2	2	8402024	SWITCH COVER
3	1	1290696	DECAL - SWITCH BOX
4	1	8402405	JOYSTICK (3 AXIS)
5	2	41845.41	LED
6	1	8402149	GLAND
7	1	43022.47	CONNECTOR
8	1	8402189	PANEL MOUNTING SHELL
9	1	8402237	POWER SUPPLY LOOM
10	1	22698.44	1/4 TURN FASTENER (PACK OF 4)
	1	43034.02	BLADE FUSE (20A)
			BRACKET & FIXINGS (<i>not illustrated</i>)
	1	42442.01	SWITCHBOX BRACKET
	4	2800243	SELF-TAPPER SCREW



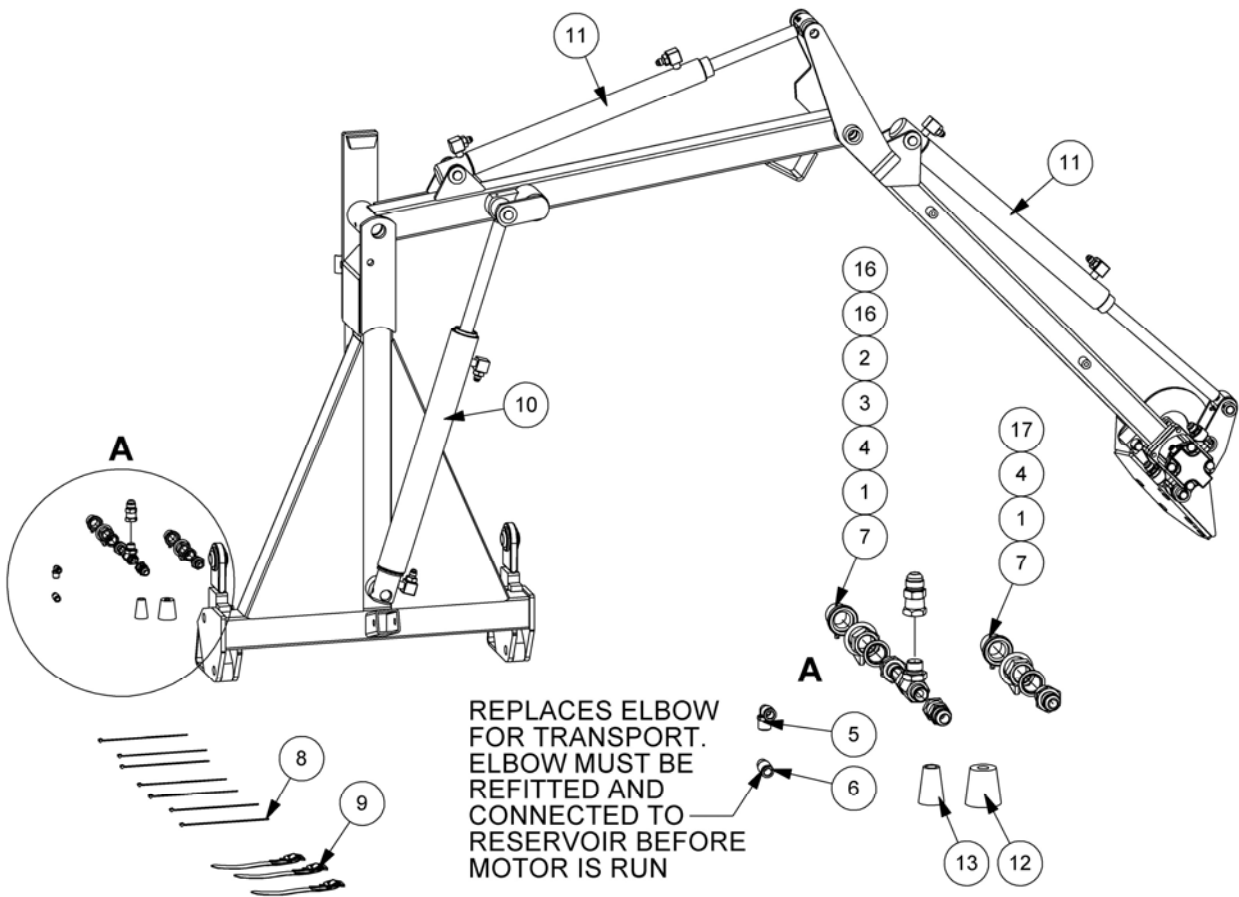
REF.	QTY.	PART NO.	DESCRIPTION
CABLE CONTROL VALVE MOUNTING			
1	1	1090312	VALVE MOUNTING PLATE
2	1	1090313	VALVE MOUNTING CLAMP PLATE
3	3	9213164	VALVE MOUNTING BAR
4	1	9313003	SETSCREW
5	3	9143004	SELF-LOCKING NUT
6	1	9100104	SPRING WASHER
7	1	1090124	VALVE MOUNTING BAR
8	2	9100205	SPRING WASHER
9	2	9313055	SETSCREW
10	1	8130358	CONTROL VALVE ASSEMBLY - BSP Build
	1	8130359	CONTROL VALVE ASSEMBLY - JIC Build



REF.	QTY.	PART NO.	DESCRIPTION
1	1	43087.01	VALVE MOUNTING BAR
2	2	9313055	SETSCREW
3	4	9100205	SPRING WASHER
4	1	43124.01	SPACER
5	4	9213184	BOLT
6	4	9100204	SPRING WASHER
7	1	43086.01	VALVE COVER - MANIFOLD
8	1	43086.02	VALVE COVER - SOLENOIDS
9	4	9313045	SETSCREW
10	2	9143105	SELF-LOCKING NUT
11	2	9100105	PLAIN WASHER

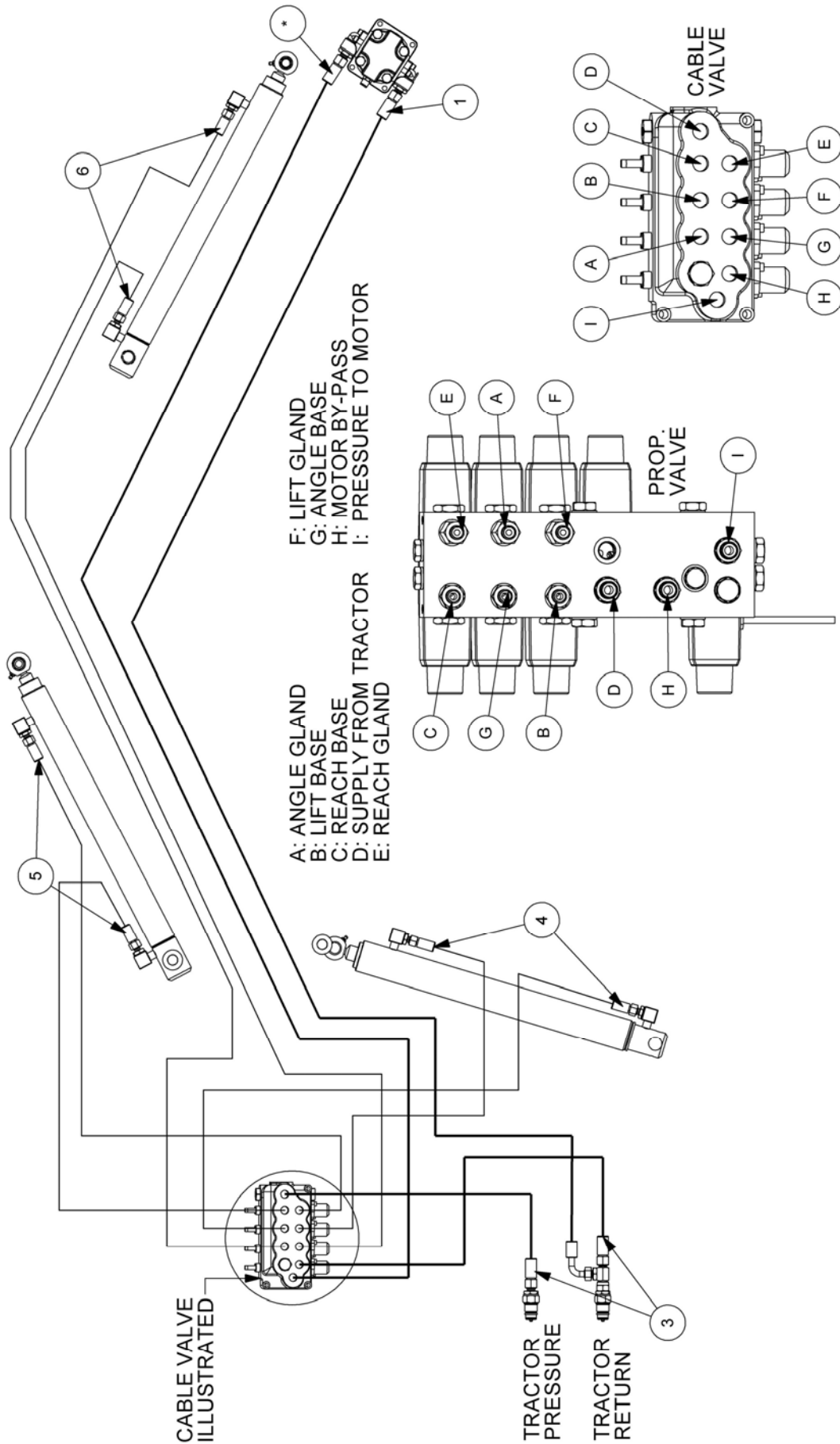


REF.	QTY.	PART NO.	DESCRIPTION
		1090387	HYDRAULIC INSTALLATION - BSP Builds
1	2	8590074	QUICK RELEASE (MALE)
2	1	1090305	LIFT RAM ASSEMBLY (BSP)
3	2	1090302	REACH/ANGLE RAM ASSEMBLY (BSP)
4	1	11.068.69	ADAPTOR TEE
5	2	6000112	ADAPTOR
6	2	8650104	BONDED SEAL
7	1	8581329	ELBOW c/w FITTINGS
8	1	8581585	FEMALE PLUG
9	2	8002108	DUST CAP
10	7	7135084	CABLE TIE
11	3	7106187	NYLON STRAP
12	1	1090093	DRAIN LINE ADAPTOR - SMALL
13	1	1090092	DRAIN LINE ADAPTOR - LARGE
14	1	8501148	NYLON HOSE (5000mm) - <i>not illustrated</i>
15	1	00900913	HOSE SLEEVING - <i>not illustrated</i>



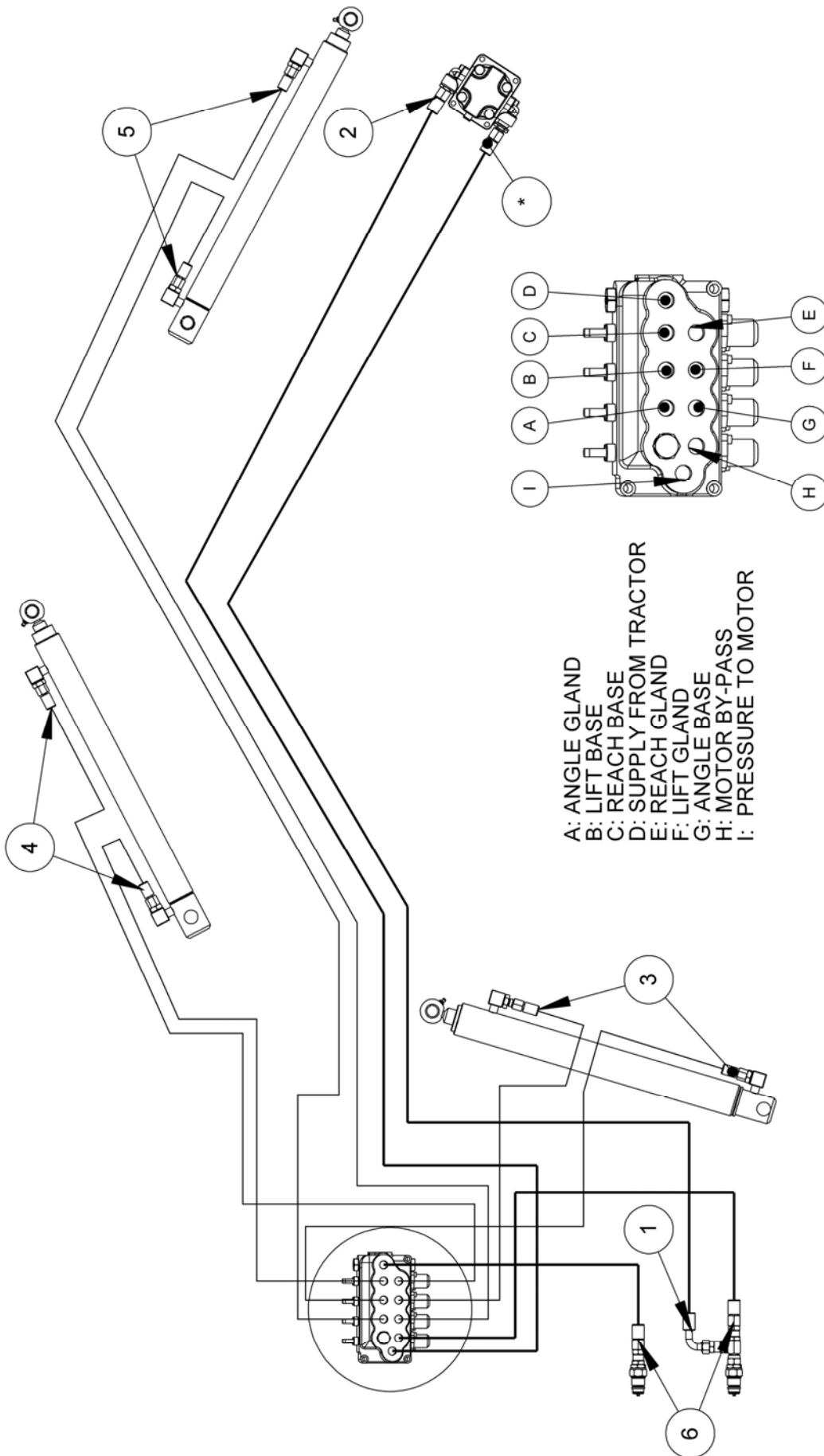
REF.	QTY.	PART NO.	DESCRIPTION
		1090395	HYDRAULIC INSTALLATION - JIC Builds
1	2	8590074	QUICK RELEASE (MALE)
2	1	11.068.69	ADAPTOR TEE
3	1	6000112	ADAPTOR
4	2	8650104	BONDED SEAL
5	1	8581329	ELBOW c/w FITTINGS
6	1	8581585	FEMALE PLUG
7	2	8002108	DUST CAP
8	7	7135084	CABLE TIE
9	3	7106187	NYLON STRAP
10	1	1090306	LIFT RAM ASSEMBLY (JIC)
11	2	1090303	REACH/ANGLE RAM ASSEMBLY (JIC)
12	1	1090092	DRAIN LINE ADAPTOR - LARGE
13	1	1090093	DRAIN LINE ADAPTOR - SMALL
14	1	8501148	NYLON HOSE (5000mm) - <i>not illustrated</i>
15	1	00900913	HOSE SLEEVING - <i>not illustrated</i>
16	2	8581221	ADAPTOR (JIC)
17	1	8120003	ADAPTOR (JIC)

NOTE: CABLE AND PROPORTIONAL VALVES SHOWN AS THIS HOSE KIT IS COMMON TO BOTH MACHINES





REF.	QTY.	PART NO.	DESCRIPTION
		41.080.06	SWINGTRIM HOSE KIT - BSP Builds
1	1	10.004.51	HOSE - 3/8" BSP FS/F90 x 4100mm
2	1	10.004.43	HOSE - 3/8" BSP FS/F90 x 3300mm
3	2	10.004.19	HOSE - 3/8" BSP FS/F90 x 950mm
4	2	10.002.22	HOSE - 1/4" BSP FS/F90 x 1200mm
5	2	10.002.27	HOSE - 1/4" BSP FS/F90 x 1700mm
6	2	10.002.38	HOSE - 1/4" BSP FS/F90 x 2800mm



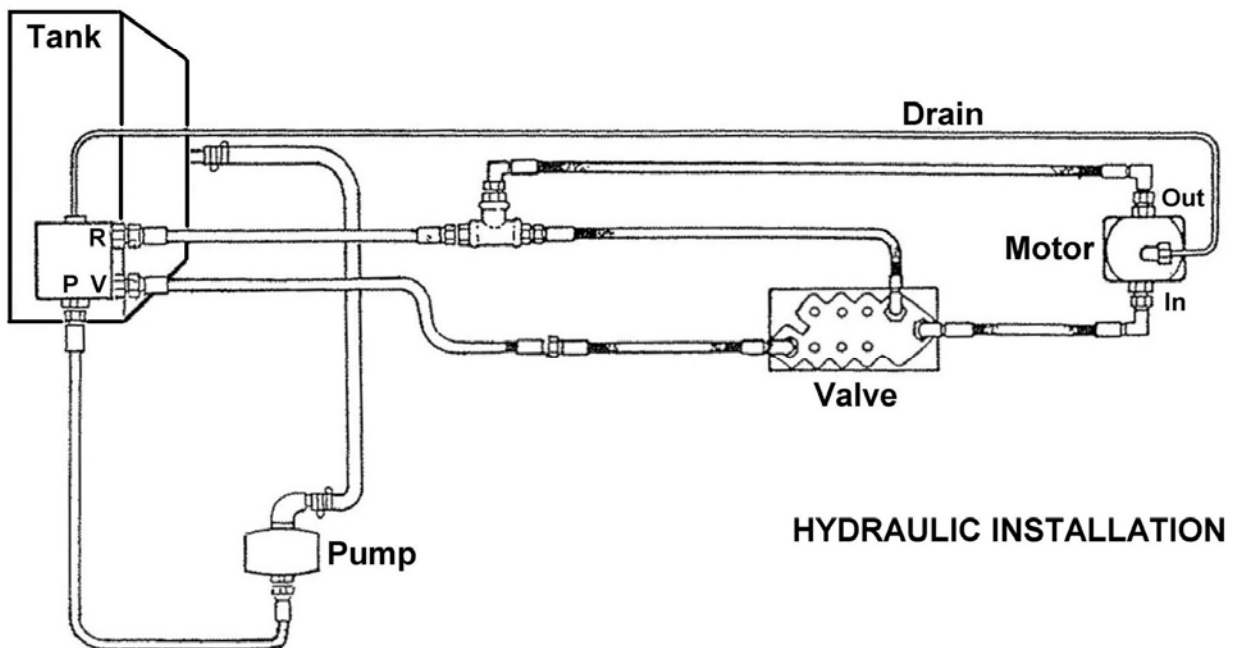
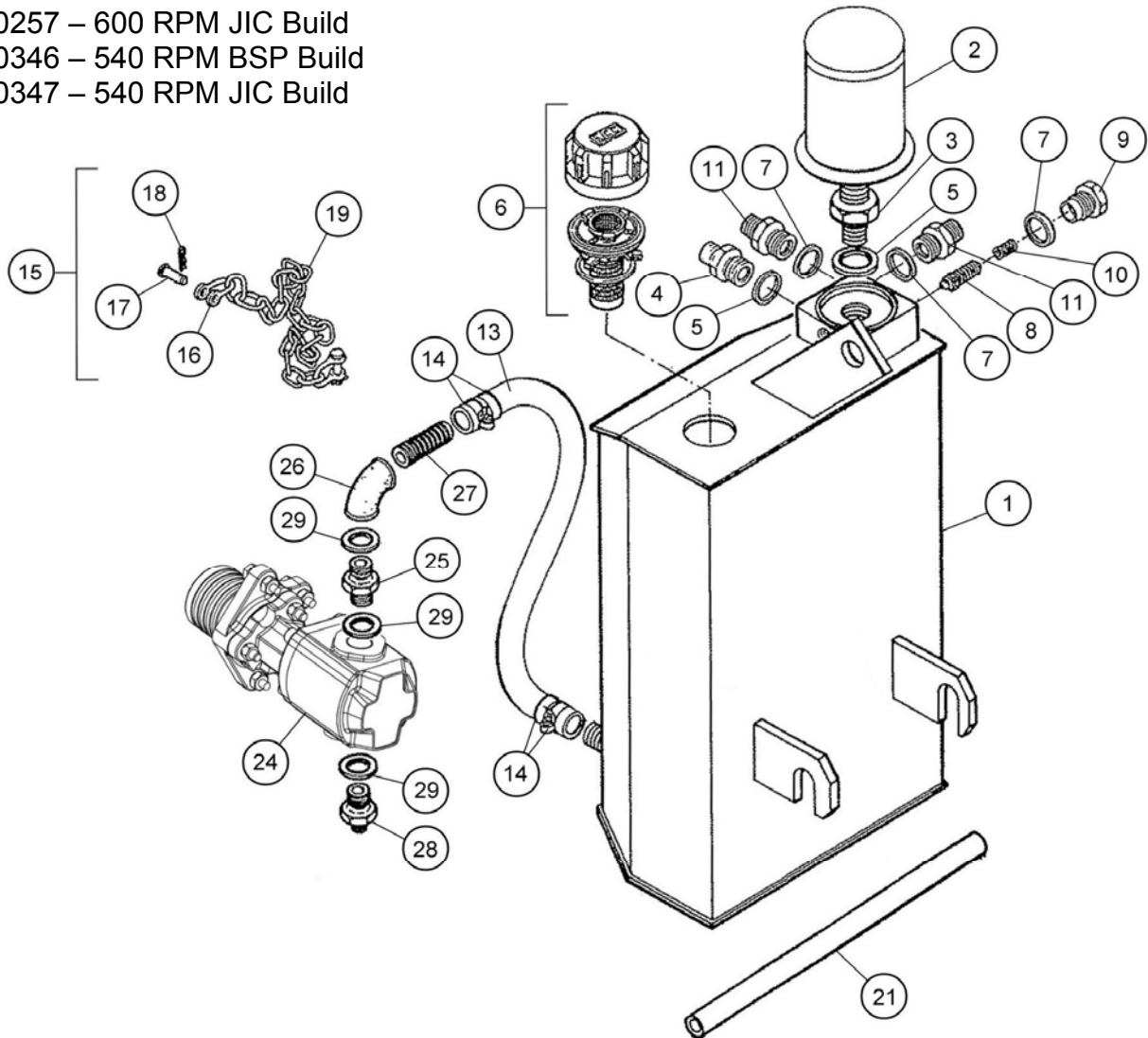
- A: ANGLE GLAND
- B: LIFT BASE
- C: REACH BASE
- D: SUPPLY FROM TRACTOR
- E: REACH GLAND
- F: LIFT GLAND
- G: ANGLE BASE
- H: MOTOR BY-PASS
- I: PRESSURE TO MOTOR



REF.	QTY.	PART NO.	DESCRIPTION
		41.080.07	SWINGTRIM HOSE KIT - JIC Builds
1	1	08.958.49	HOSE - 3/4"JIC FS/F90 x 4100
2	1	08.958.41	HOSE - 3/4"JIC FS/F90 x 3300mm
3	2	08.957.20	HOSE - 9/16"JIC FS/F90 x 1200mm
4	2	08.957.25	HOSE - 9/16"JIC FS/F90 x 1700mm
5	2	08.957.36	HOSE - 9/16"JIC FS/F90 x 2800mm
6	2	08.958.17	HOSE - 3/4"JIC FS/F90 x 950mm

Modules:

- 1090258 – 600 RPM BSP Build
- 1090257 – 600 RPM JIC Build
- 1090346 – 540 RPM BSP Build
- 1090347 – 540 RPM JIC Build



PUMP & TANK KIT ASSEMBLIES

REF.	QTY.	PART NO.	DESCRIPTION
		1090258	PUMP & TANK KIT (600 RPM PTO SPEED) - BSP Build
		1090257	PUMP & TANK KIT (600 RPM PTO SPEED) - JIC Build
		1090346	PUMP & TANK KIT (540 RPM PTO SPEED) - BSP Build
		1090347	PUMP & TANK KIT (540 RPM PTO SPEED) - JIC Build
		1090340	TANK ASSEMBLY (540 & 600 RPM) - <i>BSP Builds</i>
		1090341	TANK ASSEMBLY (540 & 600 RPM) - <i>JIC Builds</i>
1	1	1090339	HYDRAULIC OIL TANK
2	1	8401045	FILTER
3	1	8581174	UNION
4	1	6000112	BSP ADAPTOR - <i>BSP build only</i>
	1	8120003	JIC ADAPTOR - <i>JIC build only</i>
5	2	8650104	BONDED SEAL
6	1	8401050	FILLER / BREATHER ASSEMBLY
7	3	8650103	BONDED SEAL
8	1	8130029	RELIEF VALVE
9	1	8130031	RELIEF VALVE CAP
10	1	8116011	SPRING
11	2	6000113	BSP ADAPTOR - <i>BSP build only</i>
	2	8581170	JIC ADAPTOR - <i>JIC build only</i>
12	1	8531353	HOSE - 3/8" BSP FS/F90 x 22" - <i>BSP build only</i>
	1	8531078	HOSE - 3/4" JIC FS/F90 x 22" - <i>JIC build only</i>

The following items are sub-components of Pump & Drive Assemblies and are common to all builds.

13	1	8500865	SUCTION HOSE - 1" BORE x 36"
14	4	0904106	HOSE CLIP
15	2	6000087	SHACKLE ASSEMBLY c/o:
16	1	6000088	SHACKLE
17	1	6000089	SHACKLE PIN
18	1	0481105	SPRING COTTER
19	1	0902330	REACTION CHAIN
20	1	8013389	TORQUE ARM - <i>600RPM Builds only</i>
	1	8005033	TORQUE ARM - <i>540RPM Builds only</i>
21	1	1090384	TUBE
22	-	-	<i>Item no longer applicable</i>
23	-	-	<i>Item no longer applicable</i>

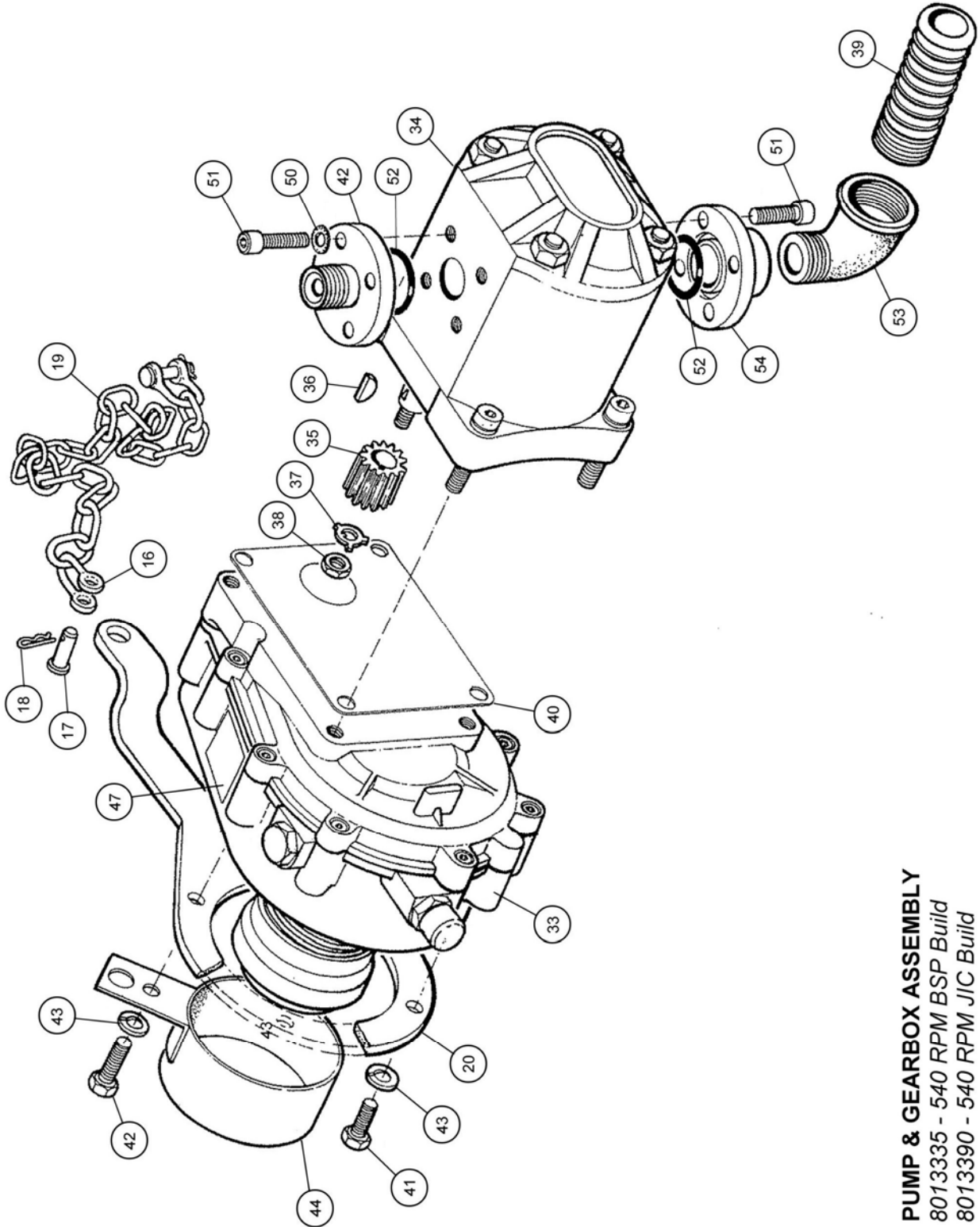
All additional Pump & Drive components are specific to builds and are listed on the following page.

Continued...

Modules:

8013335 – 540 RPM BSP Build

8013390 – 540 RPM JIC Build



PUMP & GEARBOX ASSEMBLY
8013335 - 540 RPM BSP Build
8013390 - 540 RPM JIC Build

PUMP & TANK KIT ASSEMBLIES

REF.	QTY.	PART NO.	DESCRIPTION
		8013420	PUMP & DRIVE SUPPORT - 600 RPM BSP Build
		8013391	PUMP & DRIVE SUPPORT - 600 RPM JIC Build
24	1	8013418	PUMP & DRIVE ASSEMBLY
25	1	8581136	UNION
26	1	8581055	ELBOW - 90°
27	1	8005037	UNION
28	1	8581131	BSP ADAPTOR - <i>BSP build only</i>
	1	8581244	JIC ADAPTOR - <i>JIC build only</i>
29	3	8650106	BONDED SEAL
30	4	9213085	BOLT
31	4	9143005	NUT
		8699230	SEAL KIT FOR PUMP (600 RPM)
		8013335	PUMP, GEARBOX & SUPPORT - 540 RPM BSP Build
		8013390	PUMP, GEARBOX & SUPPORT - 540 RPM JIC Build
32	1	8013323	PUMP & GEARBOX - <i>BSP Build</i>
	1	8013326	PUMP & GEARBOX - <i>JIC Build</i>
33		8013325	GEARBOX
34		8201456	PUMP
35		8201131	PUMP DRIVE COUPLING
36		8201133	WOODRUFF KEY
37		8201134	TAB WASHER
38		8201134	THIN NUT
39	1	8005037	UNION - LOW PRESSURE
40	1	8201132	GASKET
41	3	9313055	SETSCREW
42	1	9313065	SETSCREW
43	4	9100205	SPRING WASHER
44	1	8013268	PTO GUARD
45	4	9243074	CAPSCREW
46	4	9100204	SPRING WASHER
47	1	8013052	INSTRUCTION LABEL
48	1	8005027	BSP PRESSURE CONNECTION (<i>c/w O Ring & Fittings</i>)
49	1	8005031	JIC PRESSURE CONNECTION (<i>c/w O Ring & Fittings</i>)
50	8	0100302	SHAKEPROOF WASHER - INTERNAL
51	8	9343044	CAPSCREW
52	2	8600405	O RING
53	1	8581168	ELBOW
54	1	8005036	UNION BASE
55	1	7118243	DECAL - MAX RPM
		8699176	SEAL KIT FOR PUMP (540 RPM) - <i>Pre 1987 models</i>
		8699214	SEAL KIT FOR PUMP (540 RPM) - <i>1987 onward models</i>

Refer to previous pages for common components of the Pump & Drive Assemblies (Items 13-23).



McConnel Limited, Temeside Works, Ludlow, Shropshire SY8 1JL. England.
Telephone: 01584 873131. Facsimile: 01584 876463. www.mcconnel.com