

PARTS MANUAL

FOR

SERIAL NO: M2051868

PRINTED ON 22 APR 2020

23671.00 - MANUAL

Publication 800
January 2015
Part No. 23671.00

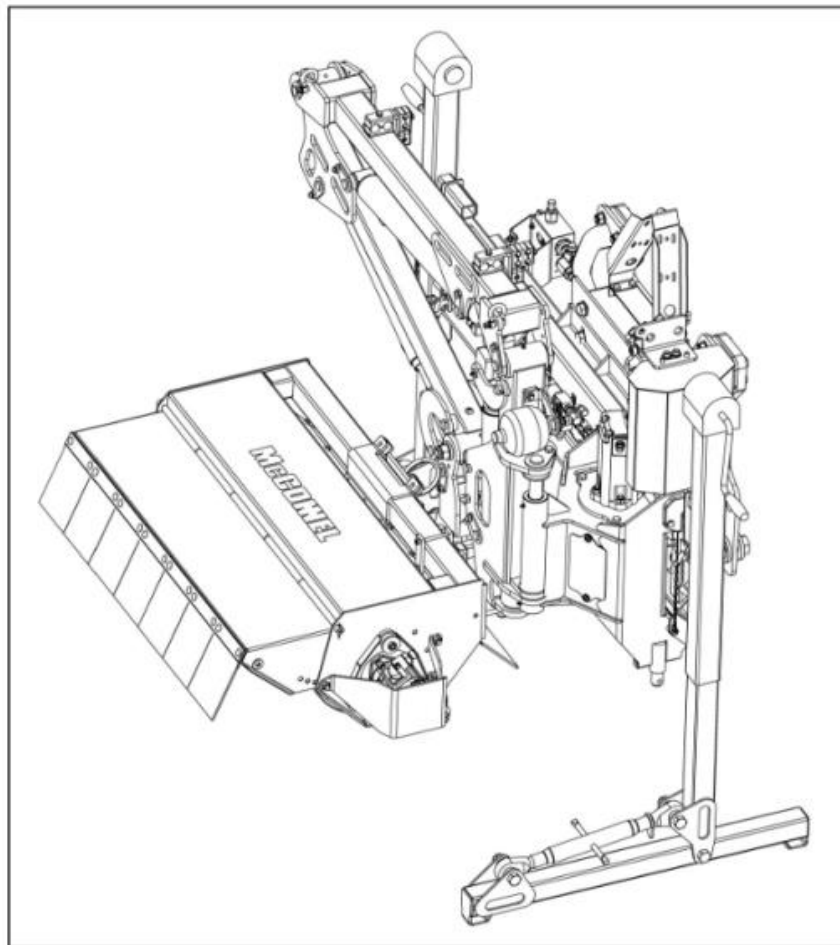


McCONEL

PA3430 / PA4030 VERSI

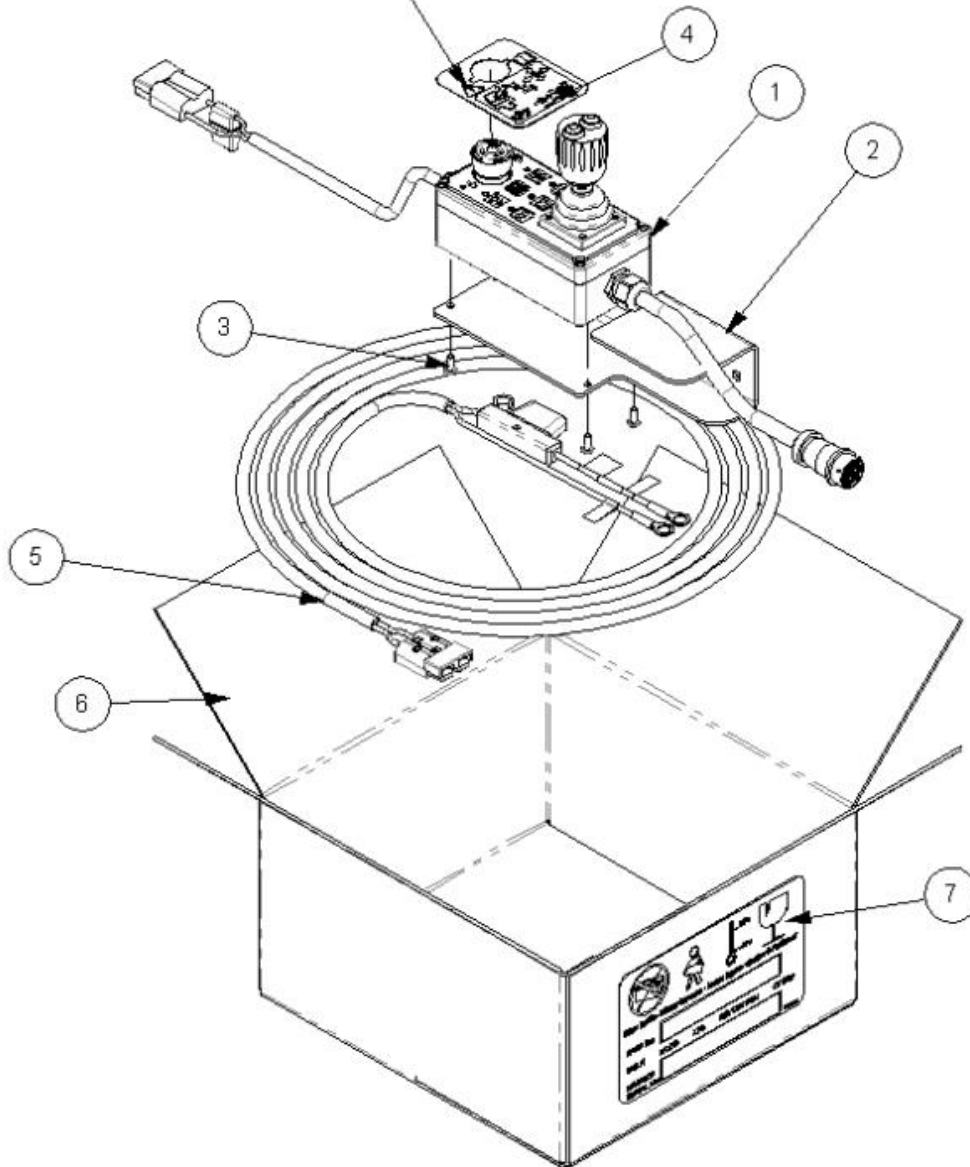
FRONT MOUNT DUAL SIDED HEDGE CUTTER / GRASS MOWER

Operator Manual



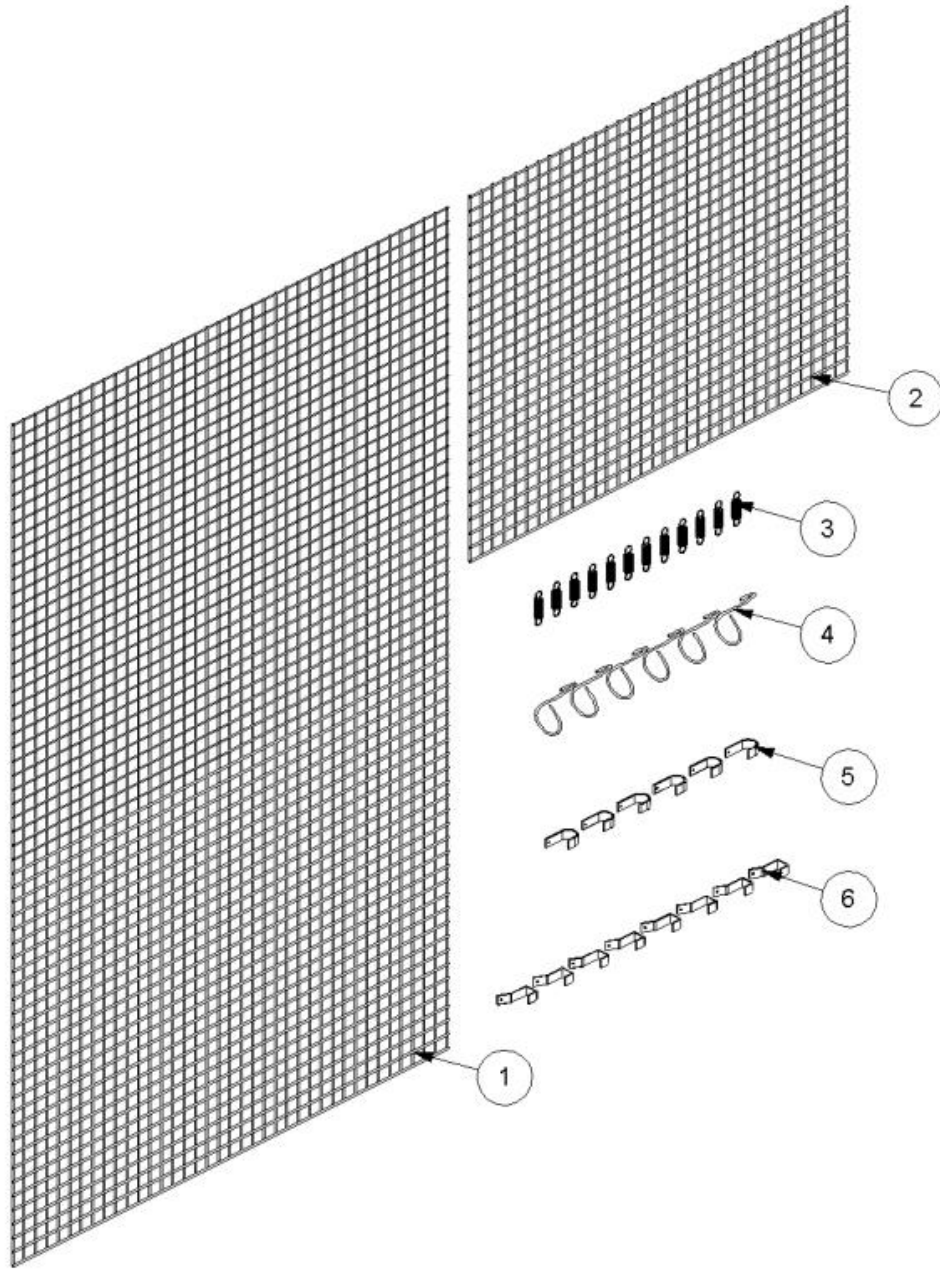
23880.01 - MINI CONTROLS COMES WITH POWER

FIT DECAL OVER E STOP



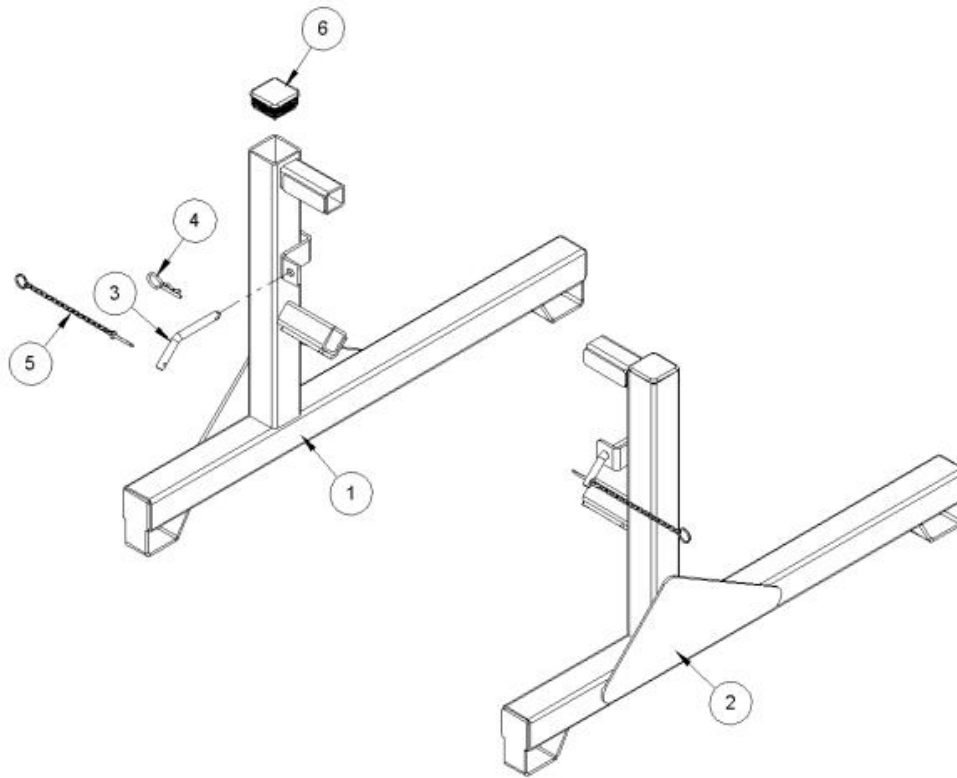
Ref	Part No	Description	QTY
1	23880.11	MINI CONTROLS	1
2	42442.04	MINI MOTION CONTROLS BRACKET	1
3	2800243	SCREW	4
4	1291169	OPERATIONAL DECAL	1
5	8402237	LOOM	1
6	8402701	BOX	1
7	1290717	DECAL	1

7313324 - GUARD KIT



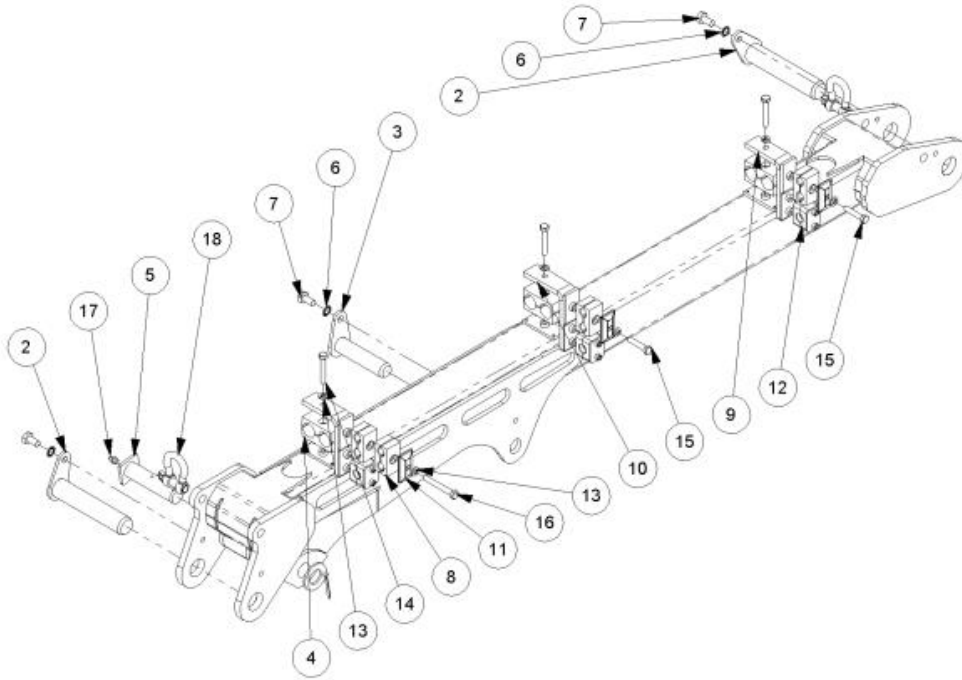
Ref	Part No	Description	QTY
1	7313049	GUARD PANEL	1
2	7313050	GUARD PANEL	1
3	6001064	SPRING	12
4	6001065	HOOK	6
5	41587.01	GUARD HOOK	6
6	41745.01	HOOK	8
7	22342.01	CABLE TIE	1
8	7196045	HOSE TIE	2

7402710 - STAND LEG MODULE



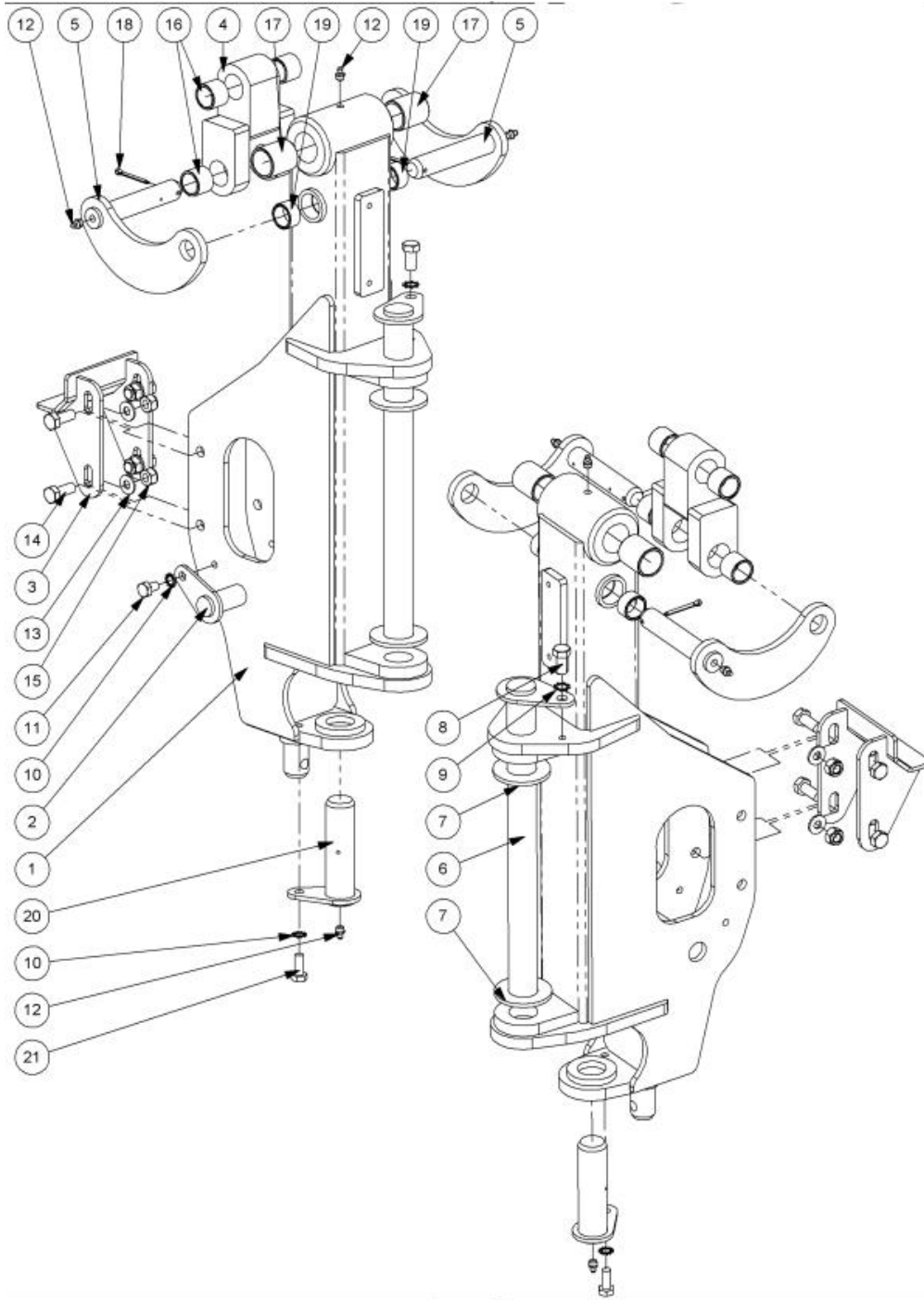
Ref	Part No	Description	QTY
1	23426.01	STAND TYPE 1	1
2	23426.02	STAND - TYPE 2	1
3	43020.02	PIN	2
4	0431105	PIN	2
5	03.255.05	RING	2
6	7191108	BUNG	2

7402717 - MAIN ARM MODULE- PA4030VERSI



Ref	Part No	Description	QTY
1	41199.15	MAIN ARM W.A.	1
2	41268.01	PIN	2
3	41267.11	PIN	1
4	06.430.09	CLAMP PAIR	3
5	41267.17	PIN W.A.-1" DIA-SQUARE TAIL	1
6	9100405	WASHER	3
7	9313045	SCREW	3
8	7193065	HOSE CLAMP	4
9	23422.01	HOSE CLAMP	1
10	23422.02	HOSE CLAMP	2
11	7193066	PLATE	3
12	42027.37	CLAMP	3
13	9100204	WASHER	6
14	9213104	BOLT	3
15	9213084	BOLT	2
16	9213134	BOLT	1
17	0901121	GREASER	1
18	22668.01	SHACKLE	2
19	0100109	WASHER	1
20	9501406	PIN	1

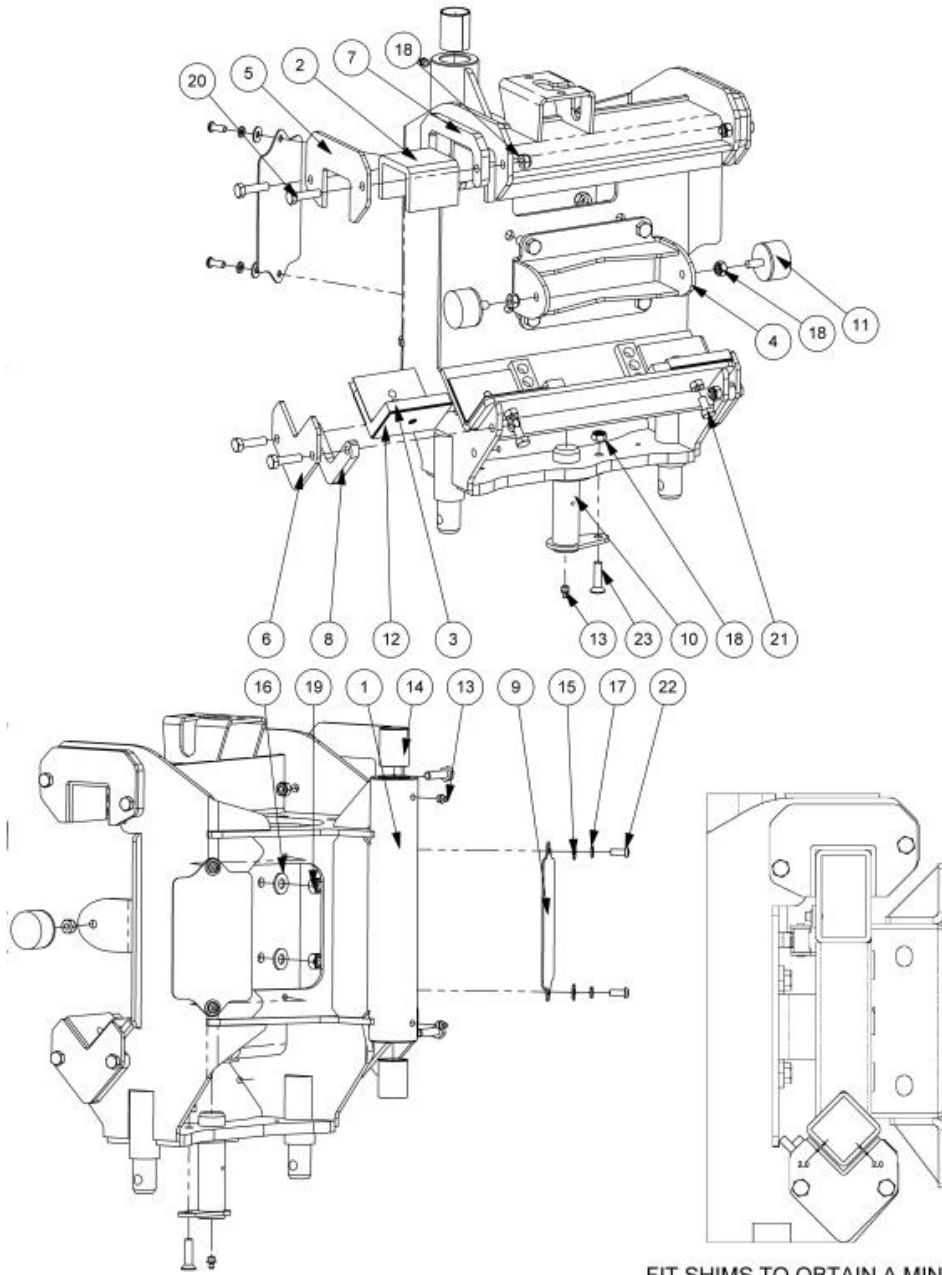
7402719 - PILLAR MODULE



Ref	Part No	Description	QTY
1	23385.02	PILLAR	1
2	41267.04	PIN	1
3	23412.01	ARM SUPPORT	1
4	21850.01	SLAVE LINK	1
5	21851.01	RADIUS ARM	2
6	23409.01	PIVOT PIN	1
7	45298.03	THRUST WASHER	2
8	9313056	SCREW	1
9	9100406	WASHER	1

Ref	Part No	Description	QTY
10	9100405	WASHER	2
11	9313035	SCREW	1
12	0901121	GREASER	4
13	9100105	WASHER	4
14	9313066	SCREW	4
15	9163006	NUT	4
16	7101083	BUSH	4
17	21149.01	BUSH	2
18	9501406	PIN	2
19	7214060	BUSH	2
20	45202.01	PIN	1
21	9313055	SCREW	1

7402720 - CARRIAGE MODULE

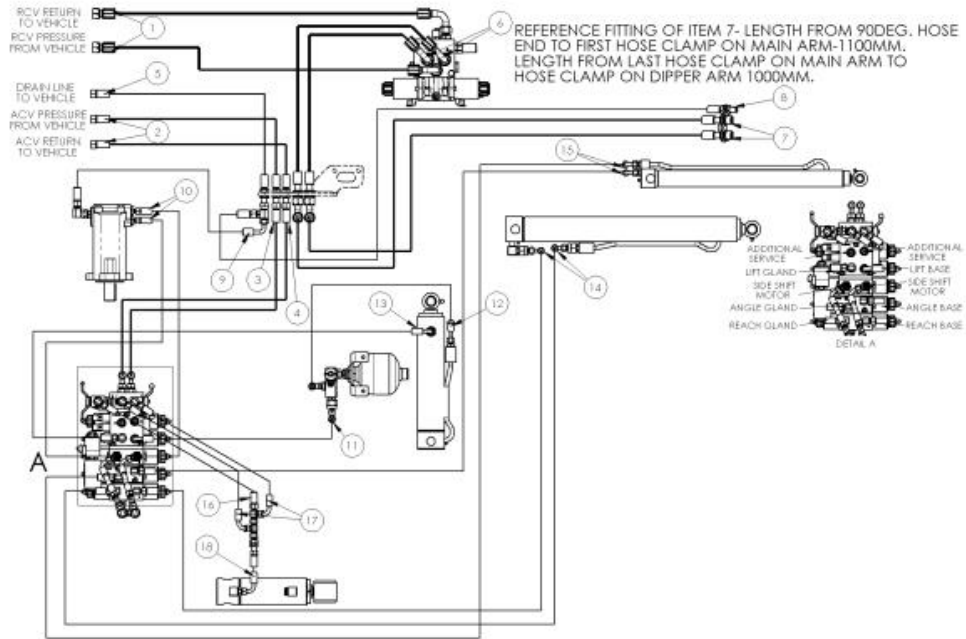


FIT SHIMS TO OBTAIN A MINIMUM
2MM GAP AS SHOWN ABOVE.
MAXIMUM OF 3MM

Ref	Part No	Description	QTY
1	23395.02	CARRIAGE	1
2	23405.01	WEAR PAD	2
3	23405.02	WEAR PAD	2
4	23416.02	BUFFER MOUNTING.	1
5	23419.05	RETENTION PLATE	2
6	23419.06	RETENTION PLATE	2
7	23419.07	SPACER PLATE	2
8	23419.08	SPACER PLATE	2
9	23589.01	COVER PLATE	2
10	45202.14	PIN	1

Ref	Part No	Description	QTY
11	7118145	BUFFER	2
12	7136059	SHIM	16
13	0901121	GREASER	3
14	21649.09	BUSH	2
15	9100104	WASHER	4
16	9100106	WASHER	4
17	9100204	WASHER	4
18	9163005	NUT	11
19	9163006	NUT	4
20	9213085	BOLT	8
21	9313045	SCREW	4
22	9300161	SCREW	4
23	9353085	SCREW	1

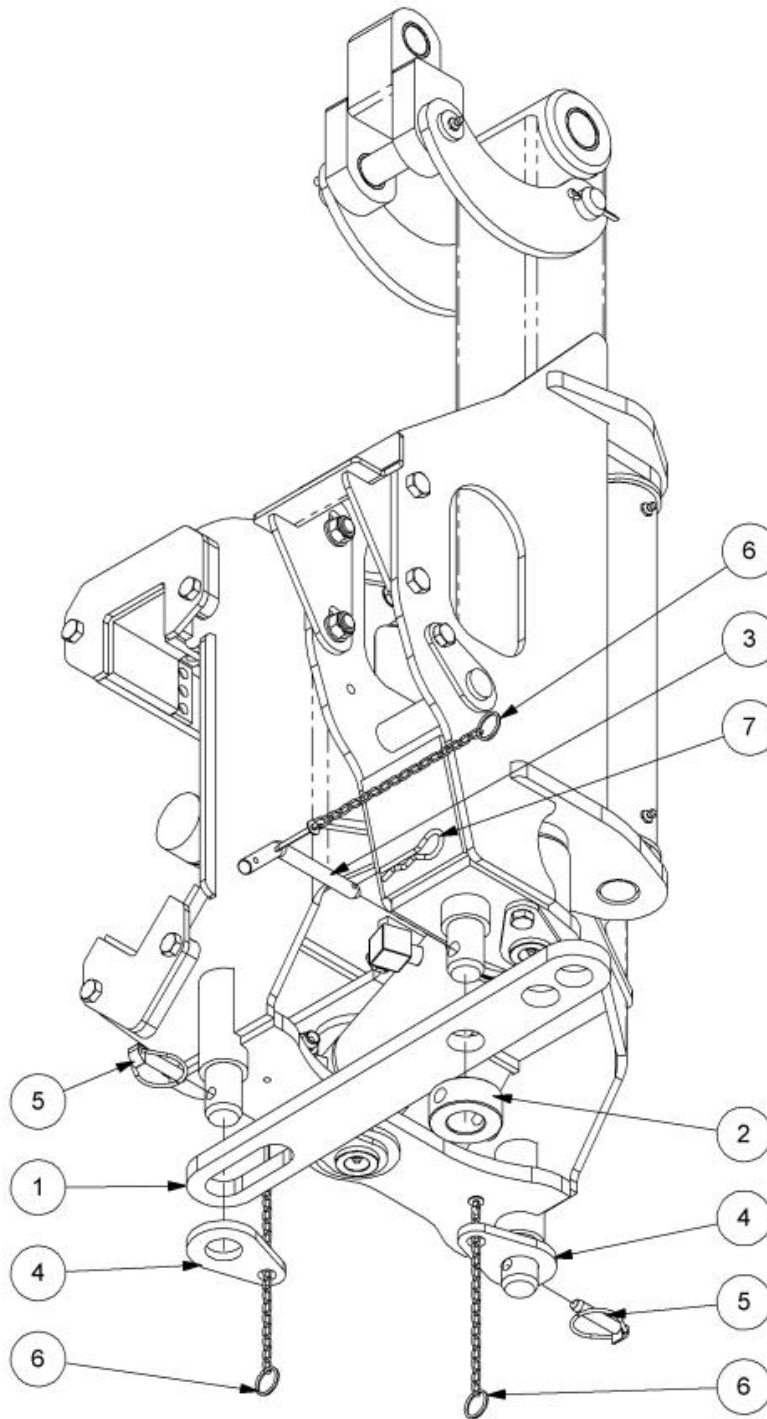
740272212 - HOSE KIT



Ref	Part No	Description	QTY
1	10.008.24	HOSE	2
2	23524.36	HOSE	2
3	8501613	HOSE	1
4	10.004.09	HOSE	1
5	23524.38	HOSE	1
6	23591.275	HOSE	2
7	23591.44	HOSE	2
8	23524.44	HOSE	1
9	10.004.14	HOSE	1

Ref	Part No	Description	QTY
10	10.001.06	HOSE	2
11	10.002.28	HOSE	1
12	10.017.08	1/4" HOSE	1
13	10.002.25	HOSE	1
14	10.002.32	HOSE	2
15	10.002.42	HOSE	2
16	10.001.07	HOSE	1
17	10.002.07	HOSE	2
18	10.002.08	HOSE	1

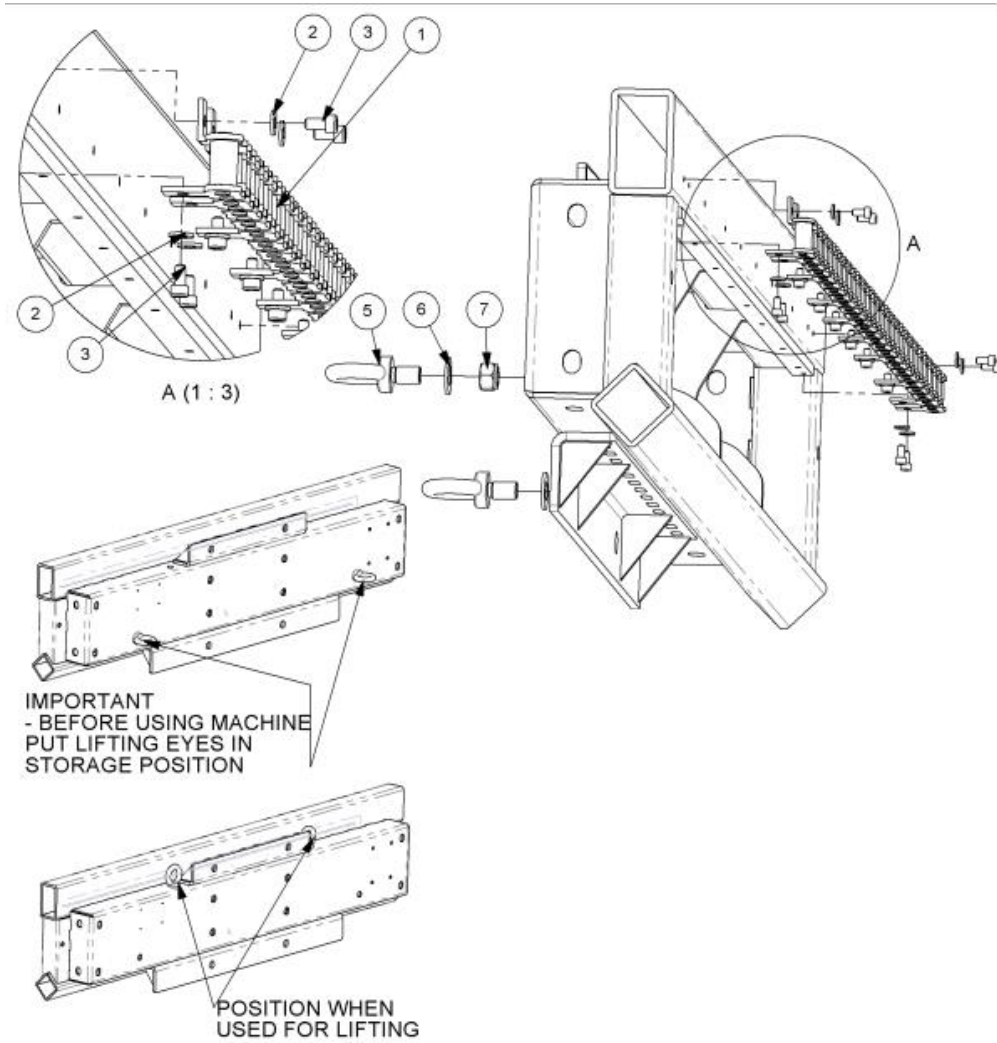
7402726 - SLEW STRAP MODULE



NOTE: PILLAR AND SIDESHIFT CARRIAGE SHOWN FOR ILLUSTRATION ONLY

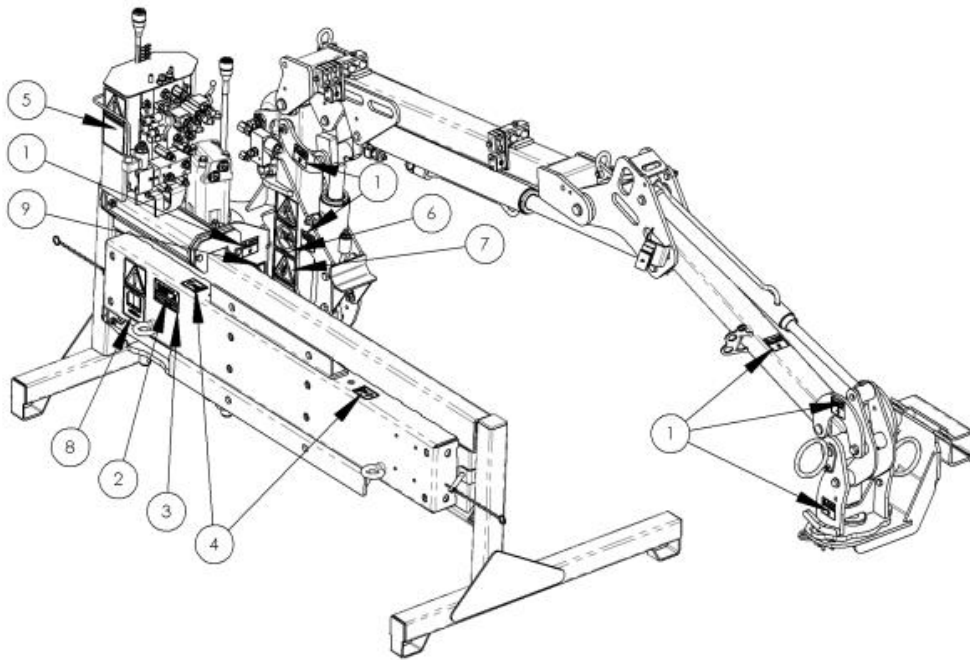
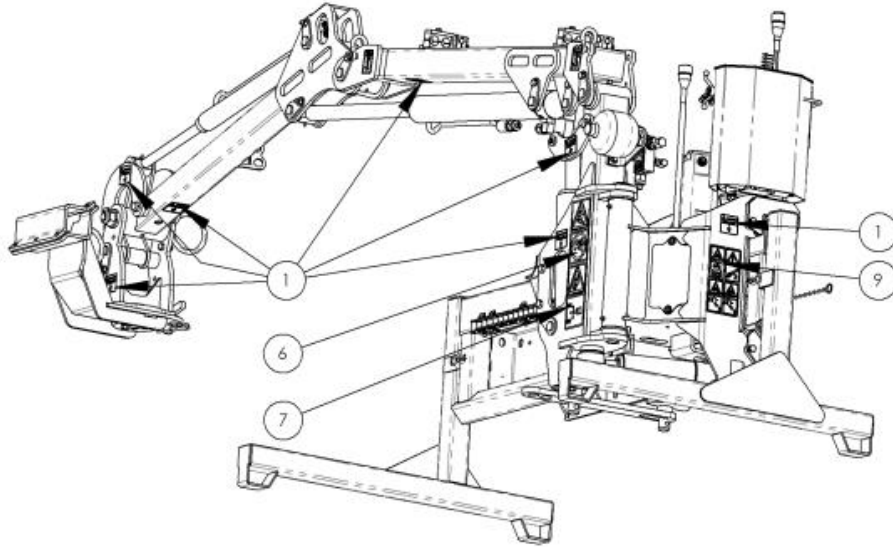
Ref	Part No	Description	QTY
1	23410.03	SLEW STRAP	1
2	23411.01	BOSS	1
3	43020.02	PIN	1
4	23417.01	WASHER	2
5	0431217	LINCH PIN	2
6	03.255.05	RING	3
7	0431105	PIN	1

7402733 - RAIL FRAME MODULE



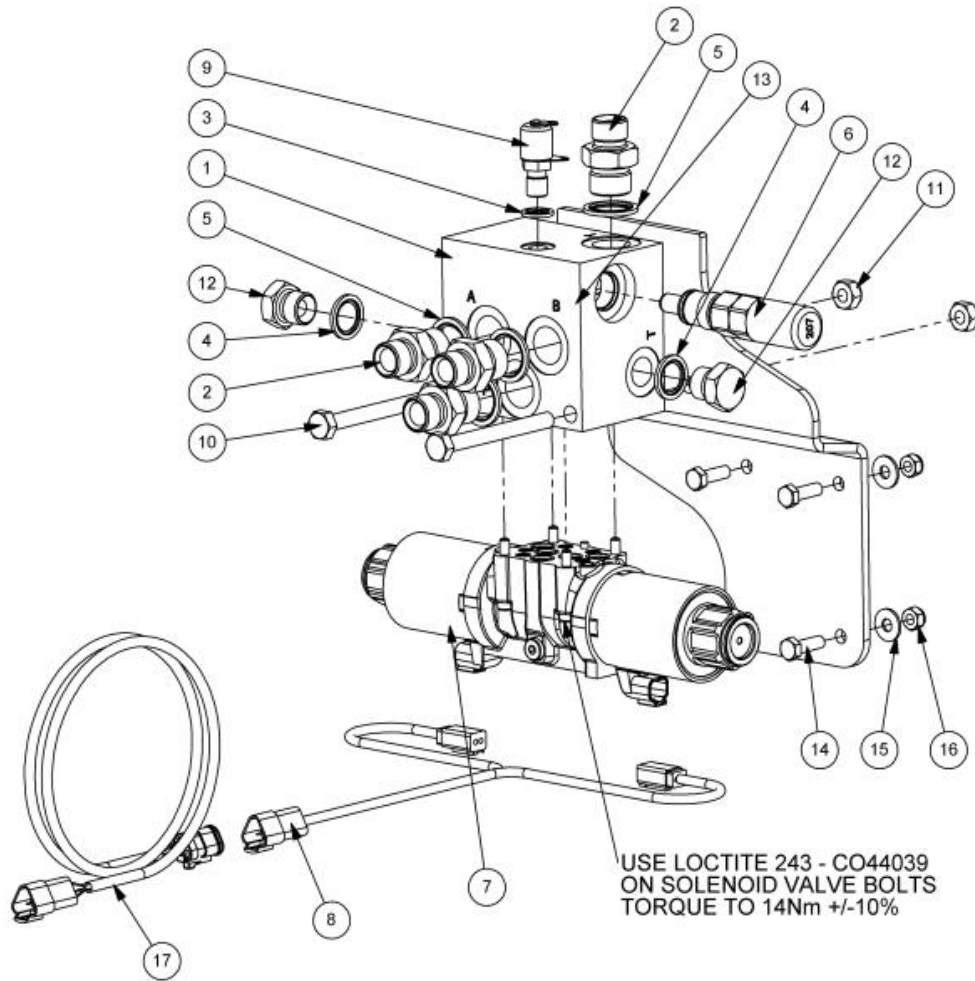
Ref	Part No	Description	QTY
1	23406.02	ROLLER CHAIN	1
2	9100103	WASHER	20
3	9343023	SCREW	20
4	23384.02	RAIL FRAME	1
5	22668.03	LIFTING EYE	2
6	0100106	WASHER	2
7	9163007	NUT	2

7402735 - DECALS KIT



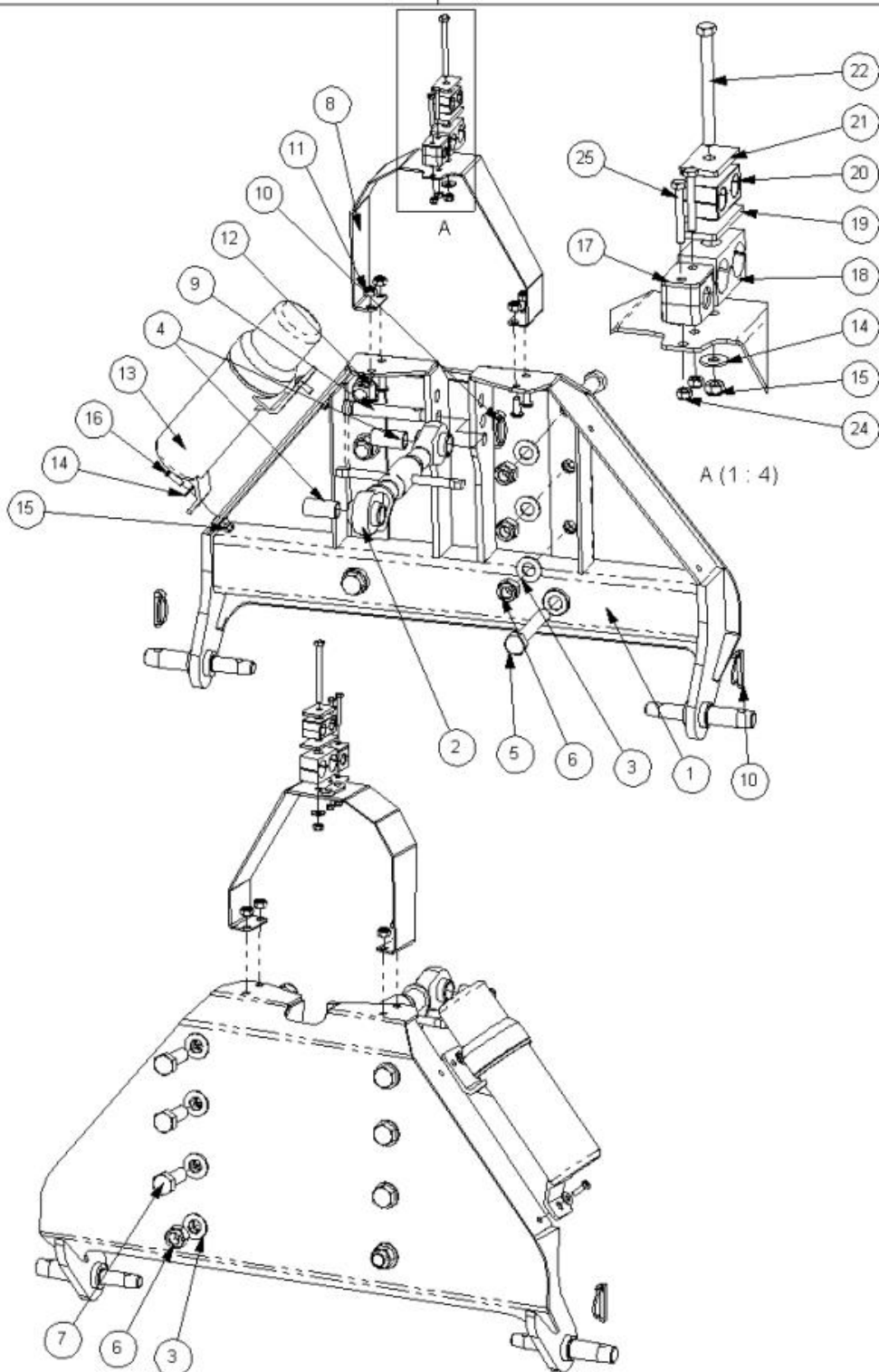
Ref	Part No	Description	QTY
1	02962764	DECAL	13
2	1335246	SERIAL No. PLATE	1
3	7103230	RIVET	4
4	09.843.04	DECAL	4
5	09.821.02	DECAL	1
6	09.821.03	DECAL	2
7	09.821.06	DECAL	2
8	09.821.15	DECAL	1
9	09.821.35	DECAL	2

7402743 - RCV ASSY



Ref	Part No	Description	QTY
1	8132271	BLOCK	1
2	8581270	ADAPTOR	4
3	8650102	SEAL	1
4	8650104	SEAL	2
5	8650106	SEAL	4
6	8125095	CARTRIDGE	1
7	23550.19	DIRECTIONAL VALVE	1
8	41844.49	REVERSING MOTOR CONTROL LOOM	1
9	8131008	COUPLING	1
10	9213205	BOLT	2
11	9163005	NUT	2
12	05.433.06	ADAPTOR	2
13	23902.01	VALVE BRACKET	1
14	9313054	SCREW	4
15	9100104	WASHER	4
16	9163004	NUT	4
17	41844.25	LIFT SENSOR LOOM 2M	1

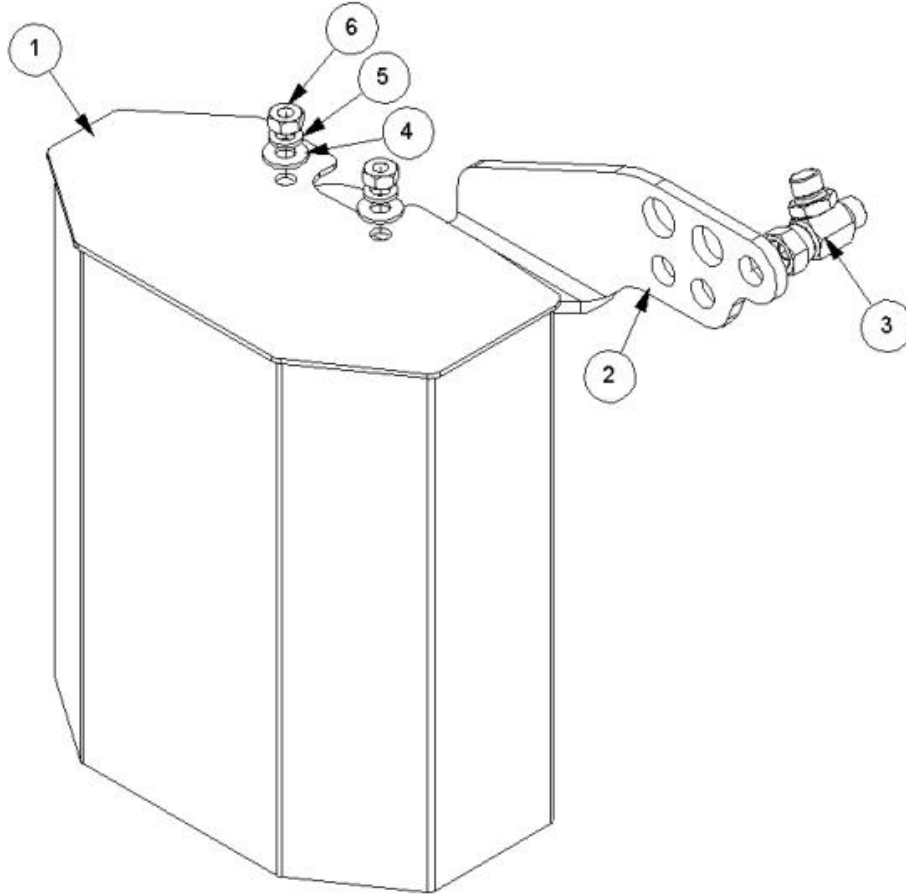
7402744 - LINKAGE FRAME MODULE



Ref	Part No	Description	QTY
1	23423.02	LINKAGE FRAME	1
2	07.584.04	TOP LINK	1
3	9100108	WASHER	14
4	1467063	SLEEVE	2

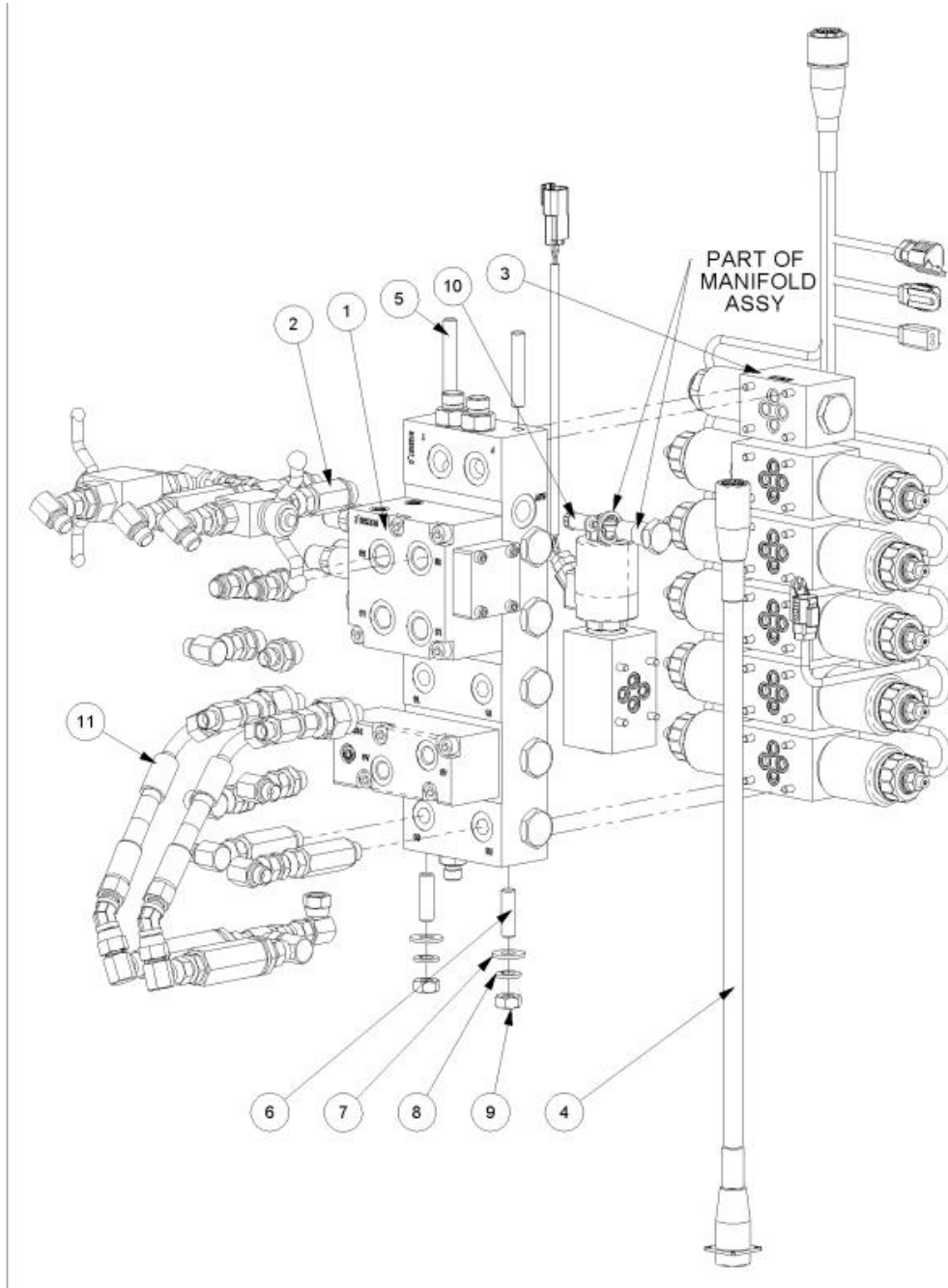
Ref	Part No	Description	QTY
5	9213248	BOLT	2
6	9163008	NUT	8
7	9313108	SET SCREW	6
8	23890.01	HOSE SUPPORT BRACKET	1
9	6310202	PIN	1
10	0431217	LINCH PIN	3
11	9163005	NUT	4
12	9300154	SCREW	4
13	46505.01	HOLDER	1
14	9100104	WASHER	3
15	9163004	NUT	3
16	9300158	SCREW	2
17	42027.37	CLAMP	1
18	06.430.09	CLAMP PAIR	1
19	22712.02	HOSE CLAMP PLATE	1
20	42024.09	CLAMP -PR	1
21	22712.01	PLATE 5	1
22	9213184	BOLT	1
24	9163003	NUT	2
25	30.068.88	BOLT	2

7402745 - VALVE COVER & BULKHEAD MODULE



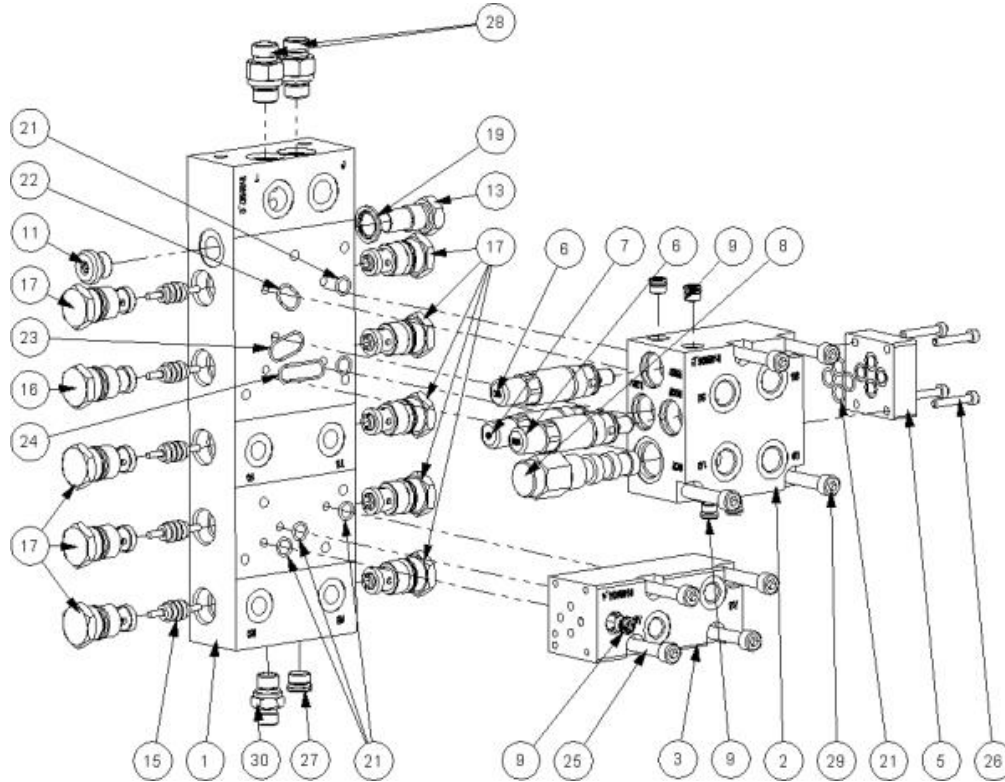
Ref	Part No	Description	QTY
1	23420.01	VALVE COVER	1
2	23421.02	BULKHEAD BRACKET	1
3	11.068.69	ADAPTOR	1
4	9100105	WASHER	2
5	9100205	WASHER	2
6	9113005	NUT	2

7402747 - VALVE ASSY



Ref	Part No	Description	QTY
1	22523.34	MANIFOLD ASSY	1
2	23180.16	ADAPTER KIT	1
3	22526.08	CONTROL SOLENOID KIT	1
4	8402361	LOOM	1
5	42198.07	STUD	2
6	42198.06	STUD	2
7	9100105	WASHER	2
8	9100205	WASHER	2
9	9113005	NUT	2
10	8130029	VALVE	1
11	10.002.03	HOSE	2

22523.34 - MANIFOLD ASSY



Ref	Part No	Description	QTY
1	8132337	MANIFOLD BLOCK	1
2	8132336	AUTO RESET BLOCK	1
3	8132334	FLOAT BLOCK	1
5	8130139	PLATE	1
6	G3812541	RELIEF VALVE	2
7	8130150	VALVE	1
8	8130204	VALVE	1
9	23242.03	PLUG	5
11	8581436	ADAPTOR	1
13	8130032	CAP	1
15	8130087	ACTUATOR	5
16	8130354	VALVE	1
17	8130090	VALVE	9
19	8650103	SEAL	1
21	8700511	"O" RING	9
22	8700516	O RING	1
23	8700522	O RING	1
24	8700525	O RING	1
25	9343104	SCREW	4
26	9243062	SCREW	4
27	23242.05	PLUG	1
28	8581698	ADAPTOR	2

Ref	Part No	Description	QTY
29	9243124	SCREW	4
30	8581699	ADAPTOR	1

8130139 - PLATE

LOCATION & IDENTIFICATION OF 'O' RINGS

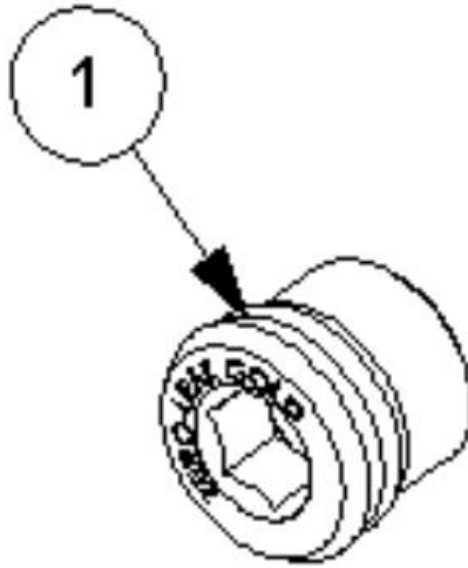
Order parts from previous screen



BLANKING PLATE 8130139

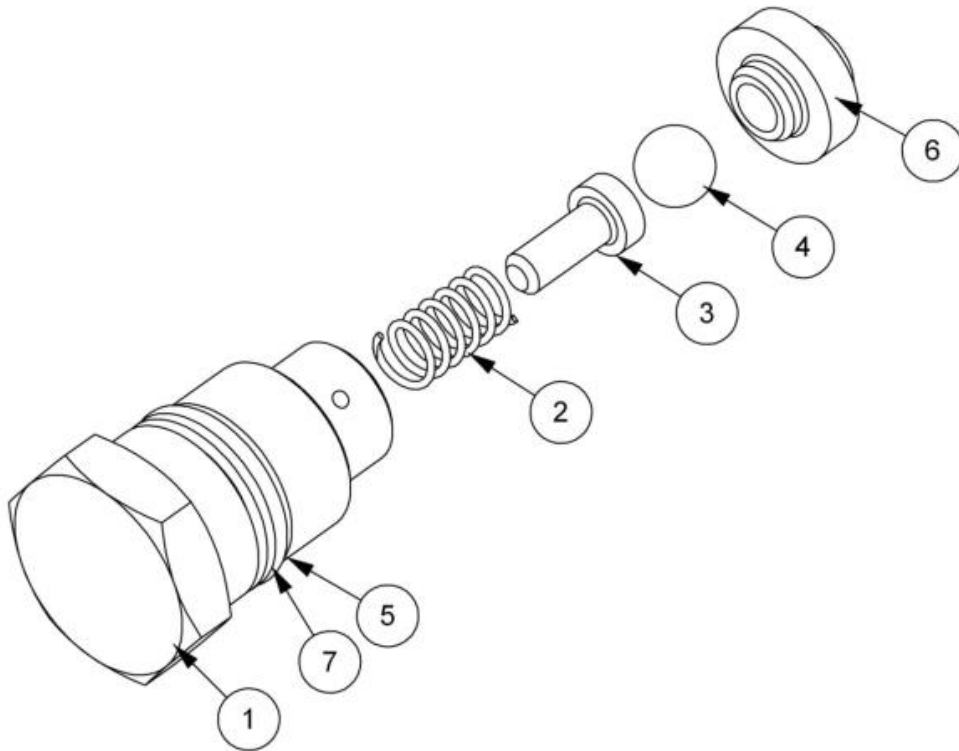
Ref	Part No	Description	QTY
1	G2410620C	CAST STICK	25.004

23242.03 - PLUG



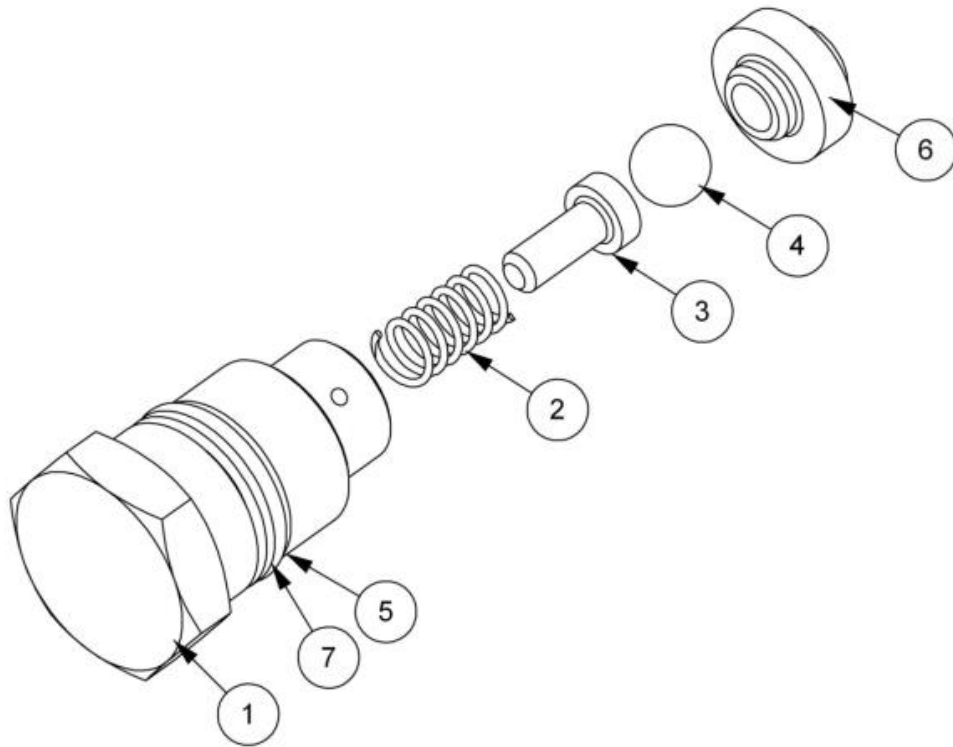
Ref	Part No	Description	QTY
1	8700007	O RING	1

8130354 - VALVE



Ref	Part No	Description	QTY
1	8130209	CAP	1
2	8114045	SPRING	1
3	8130089	GUIDE	1
4	0905509	BALL	1
5	8700644	"O" RING	1
6	8130088	SEAT	1
7	8709644	ANTI.EXT.RING	1

8130090 - VALVE

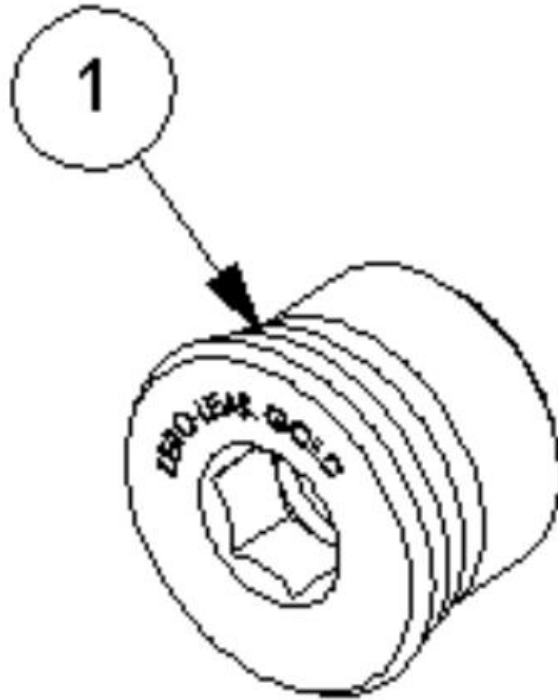


Ref	Part No	Description	QTY
1	8130025	CAP	1
2	8114045	SPRING	1
3	8130089	GUIDE	1
4	0905509	BALL	1
5	8700644	"O" RING	1
6	8130088	SEAT	1
7	8709644	ANTI.EXT.RING	1

9343104 - SCREW

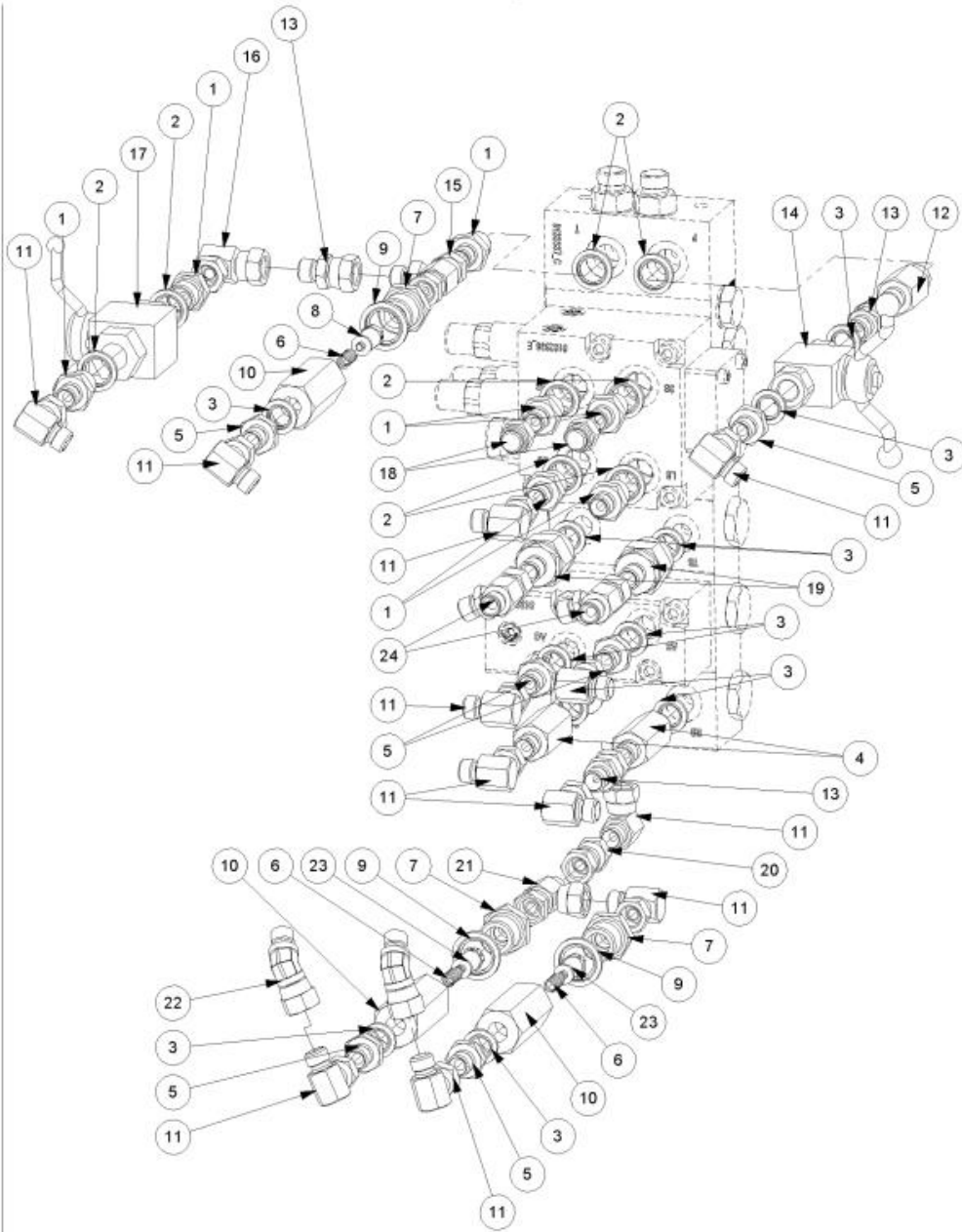
**No Picture
Available**

23242.05 - PLUG



Ref	Part No	Description	QTY
1	8700011	I RING	1

23180.16 - ADAPTER KIT

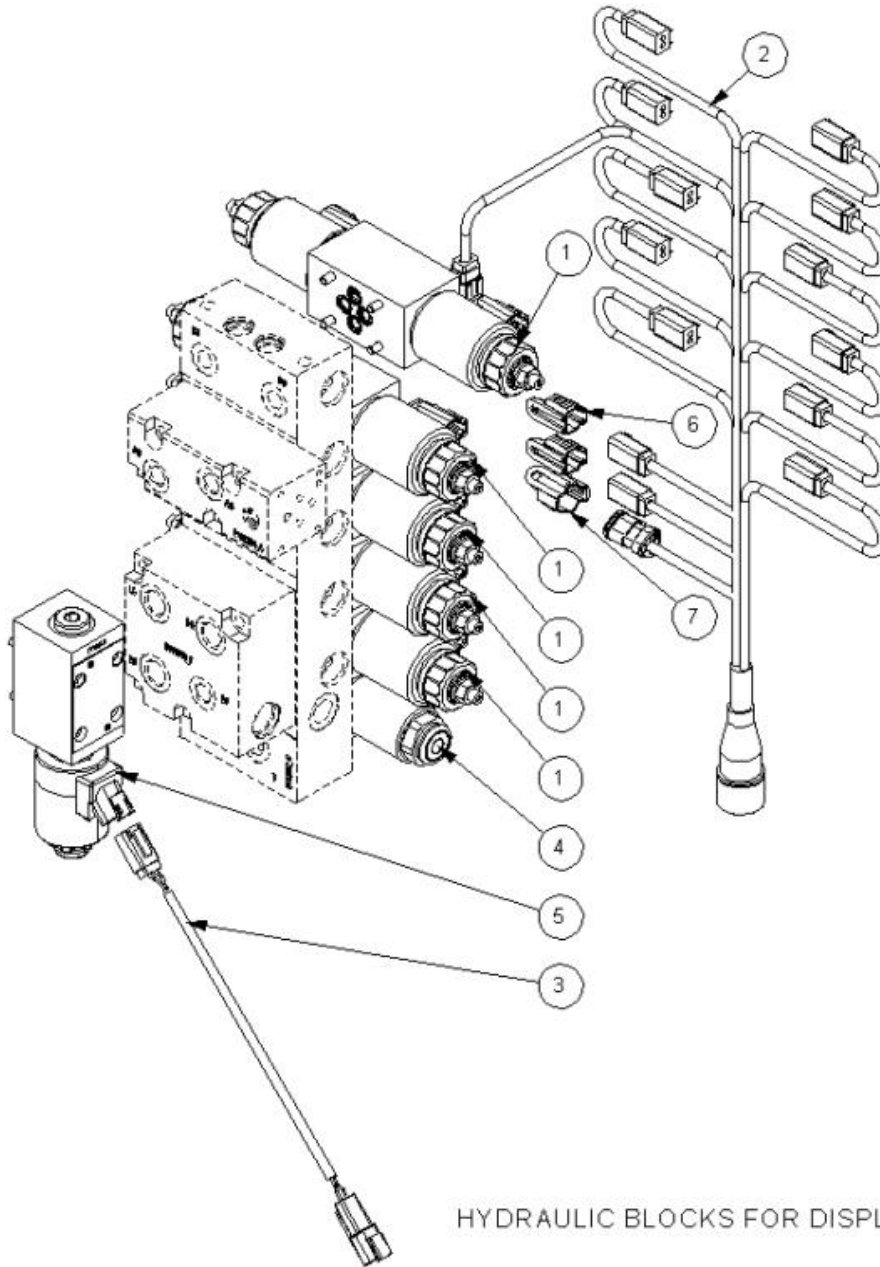


HYDRAULIC BLOCKS SHOWN FOR DISPLAY PURPOSES

Ref	Part No	Description	QTY
1	8581115	ADAPTOR	7
2	8650103	SEAL	8
3	8650102	SEAL	11
4	8581279	ADAPTOR	2
5	8581169	ADAPTOR	6
6	8116011	SPRING	3
7	8130083	BODY	3
8	8130151	VALVE	1
9	8650104	SEAL	3
10	8130156	HOUSING	3

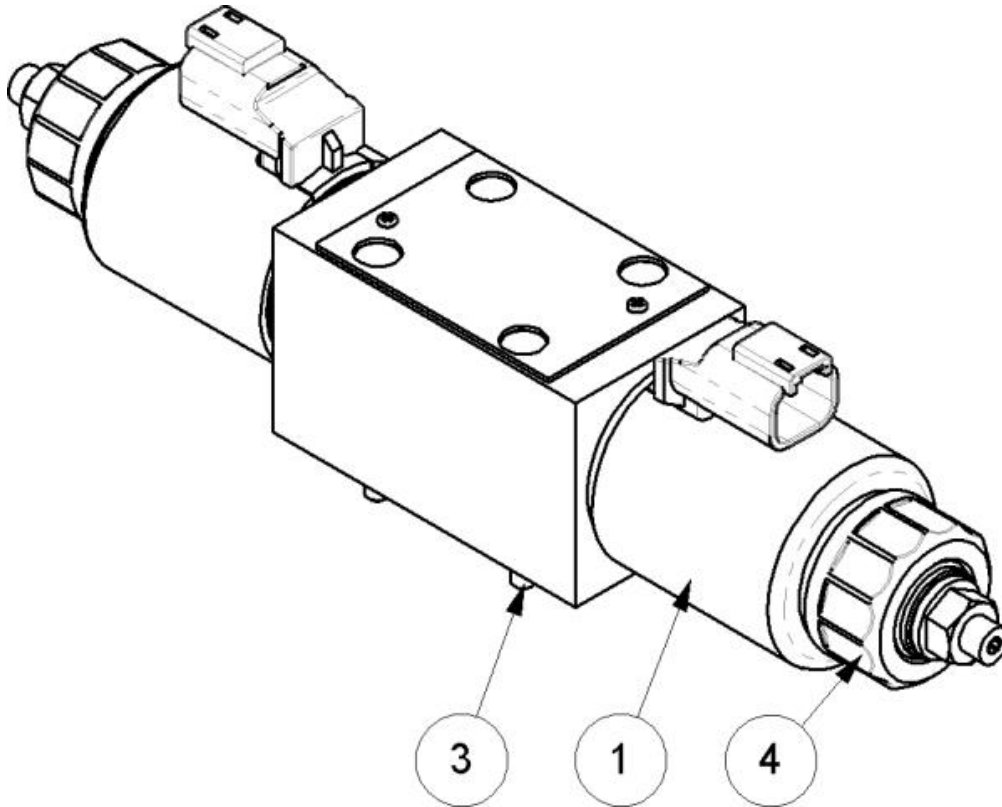
Ref	Part No	Description	QTY
11	8581190	ADAPTOR	12
12	8581146	ADAPTOR	1
13	8581309	ADAPTOR	3
14	8130181	TAP	1
15	8581289	ADAPTOR	1
16	8581343	ELBOW	1
17	08.200.01	VALVE	1
18	520560	ADAPTOR	2
19	8123093	RESTRICTOR	2
20	T6943	ADAPTOR	1
21	8581288	ADAPTOR	1
22	8581347	ADAPTOR	2
23	8130092	VALVE	2
24	8581254	ADAPTOR	2

22526.08 - CONTROL SOLENOID KIT



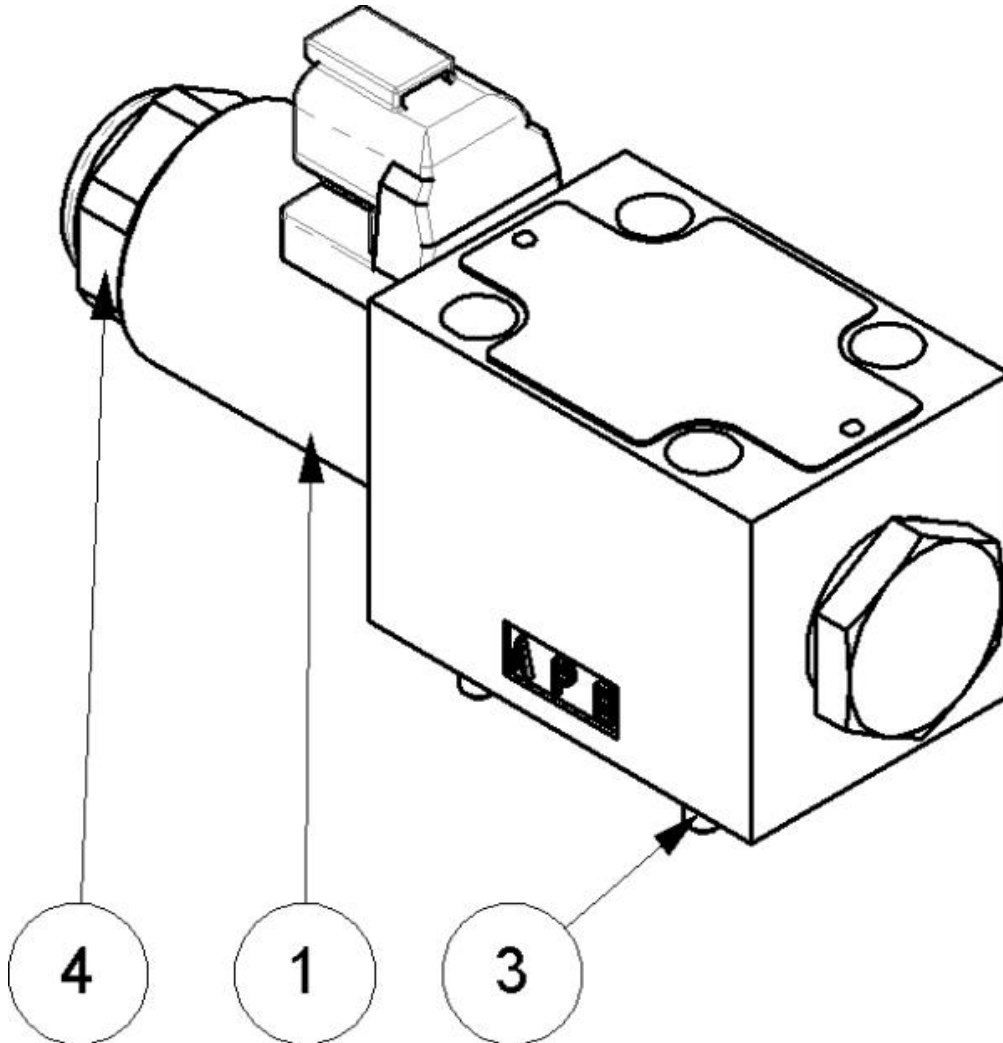
Ref	Part No	Description	QTY
1	23550.11	PROP DCV	5
2	41844.26	LOOM 19 CORE-19 WAY	1
3	41844.34	LOOM ANGLE FLOAT DT CONNECTOR	1
4	23550.13	VALVE	1
5	23550.17	VALVE	1
6	45594.41	SEALING CAP	2
7	45594.42	SEALING CAP	1
22	23550.18	TOOL - MANUAL SOL. OPERATION	1

23550.11 - PROP DCV



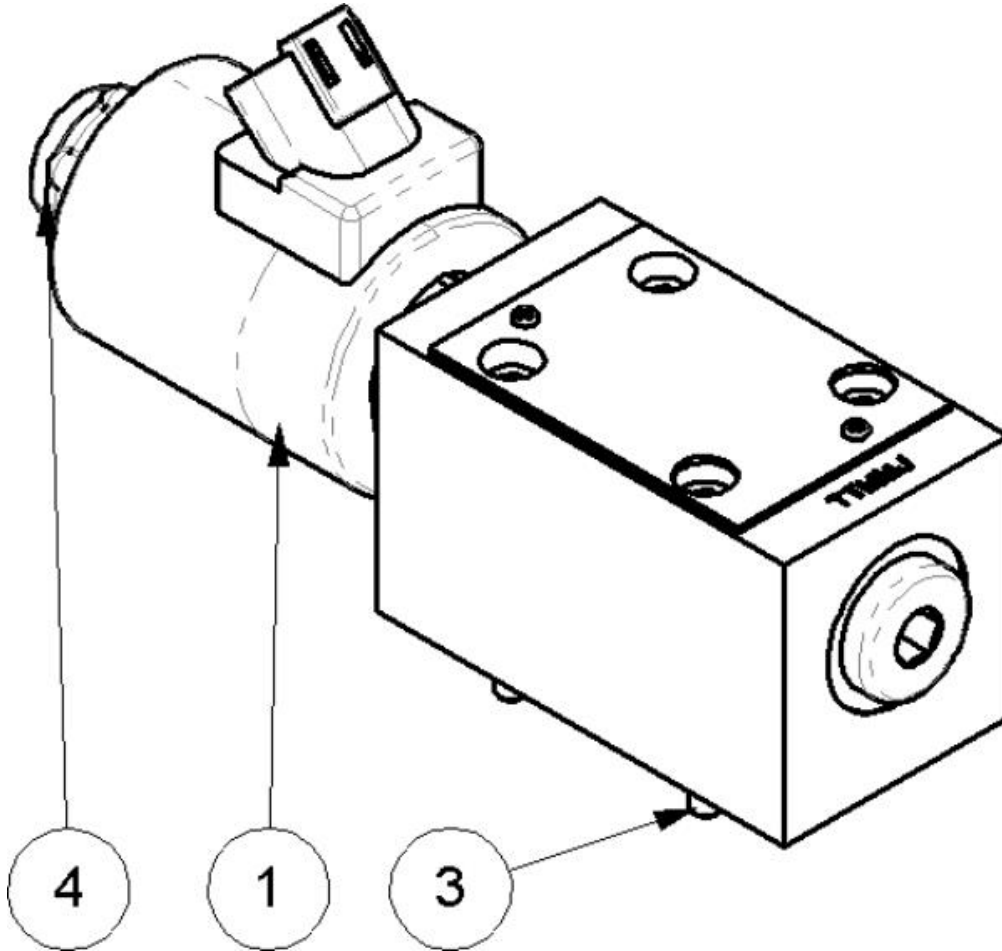
Ref	Part No	Description	QTY
1	23550.37	PROP COIL	2
2	23550.32	SEAL KIT	1
3	9200076	CAP SCREW	4
4	23550.35	COIL NUT	2

23550.13 - VALVE



Ref	Part No	Description	QTY
1	23550.38	COIL	1
2	23550.34	SEAL KIT	1
3	9200077	CAP SCREW	4
4	23550.36	COIL NUT	1

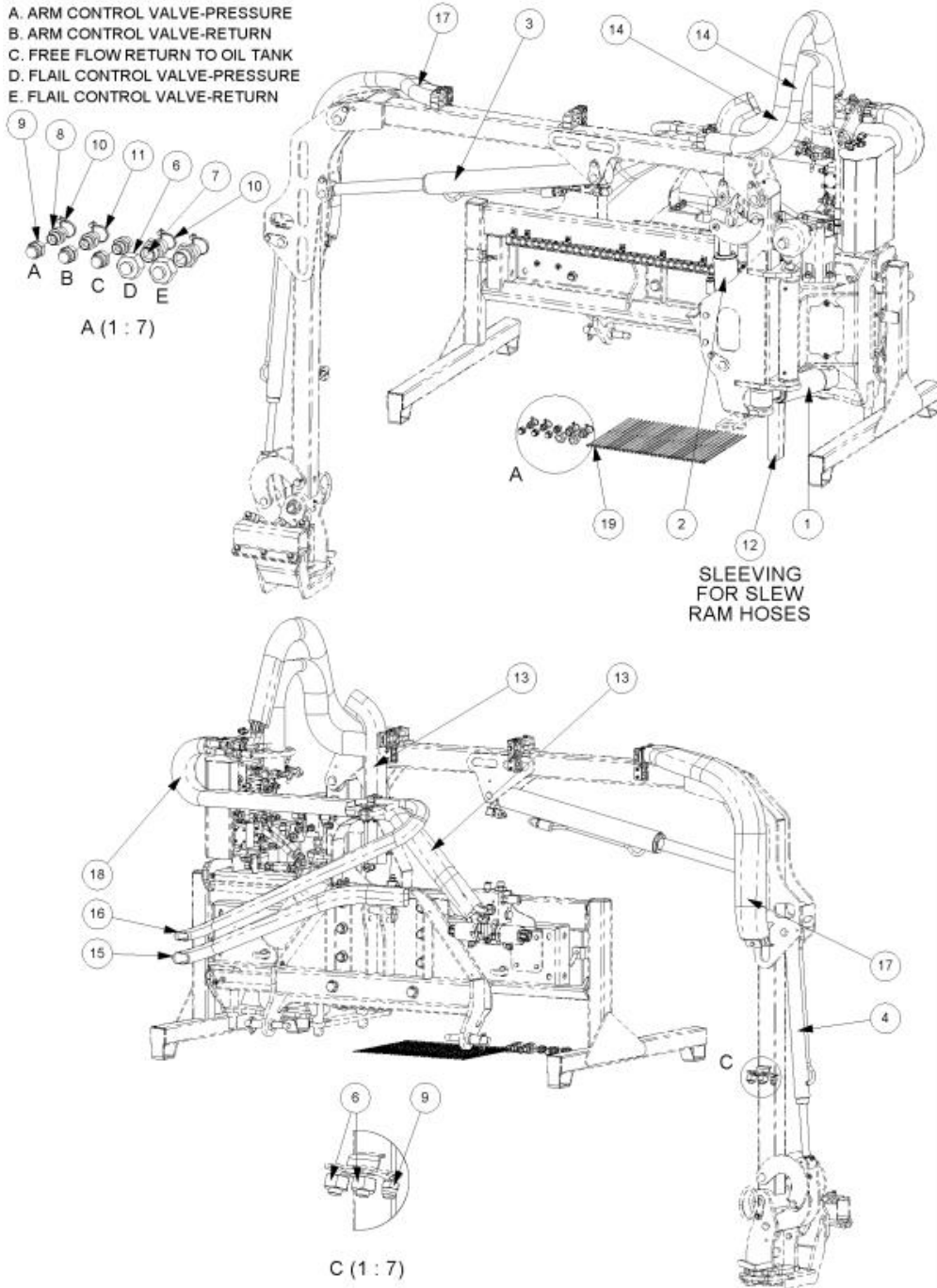
23550.17 - VALVE



Ref	Part No	Description	QTY
1	23550.39	COIL	1
2	23550.32	SEAL KIT	1
3	9200079	CAP SCREW	4
4	23550.40	COIL NUT	1

7402750 - HYD.INST.MODULE

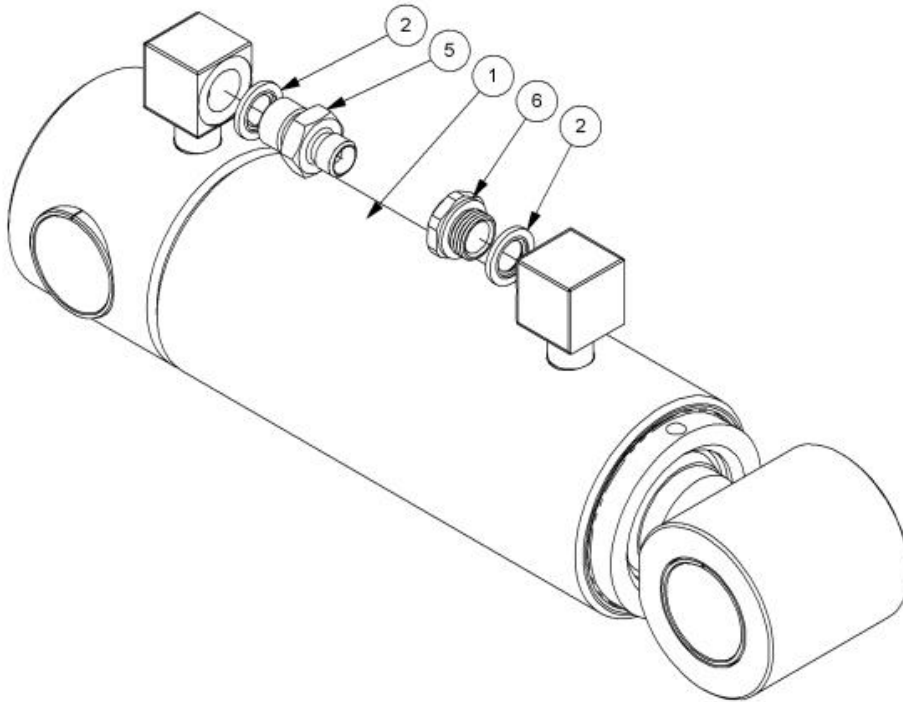
- A. ARM CONTROL VALVE-PRESSURE
- B. ARM CONTROL VALVE-RETURN
- C. FREE FLOW RETURN TO OIL TANK
- D. FLAIL CONTROL VALVE-PRESSURE
- E. FLAIL CONTROL VALVE-RETURN



Ref	Part No	Description	QTY
1	43377.08	RAM ASSY	1
2	41014.20	RAM ASSY	1
3	43317.15	RAM ASSY	1
4	21856.01	RAM	1
6	G3812119	ADAPTOR	4
7	8581318	ADAPTOR	2
8	6000113	ADAPTOR	3
9	05.433.04	ADAPTOR	4
10	22941.01	CABLE TIE -R	2
11	22941.02	CABLE TIE -B	2

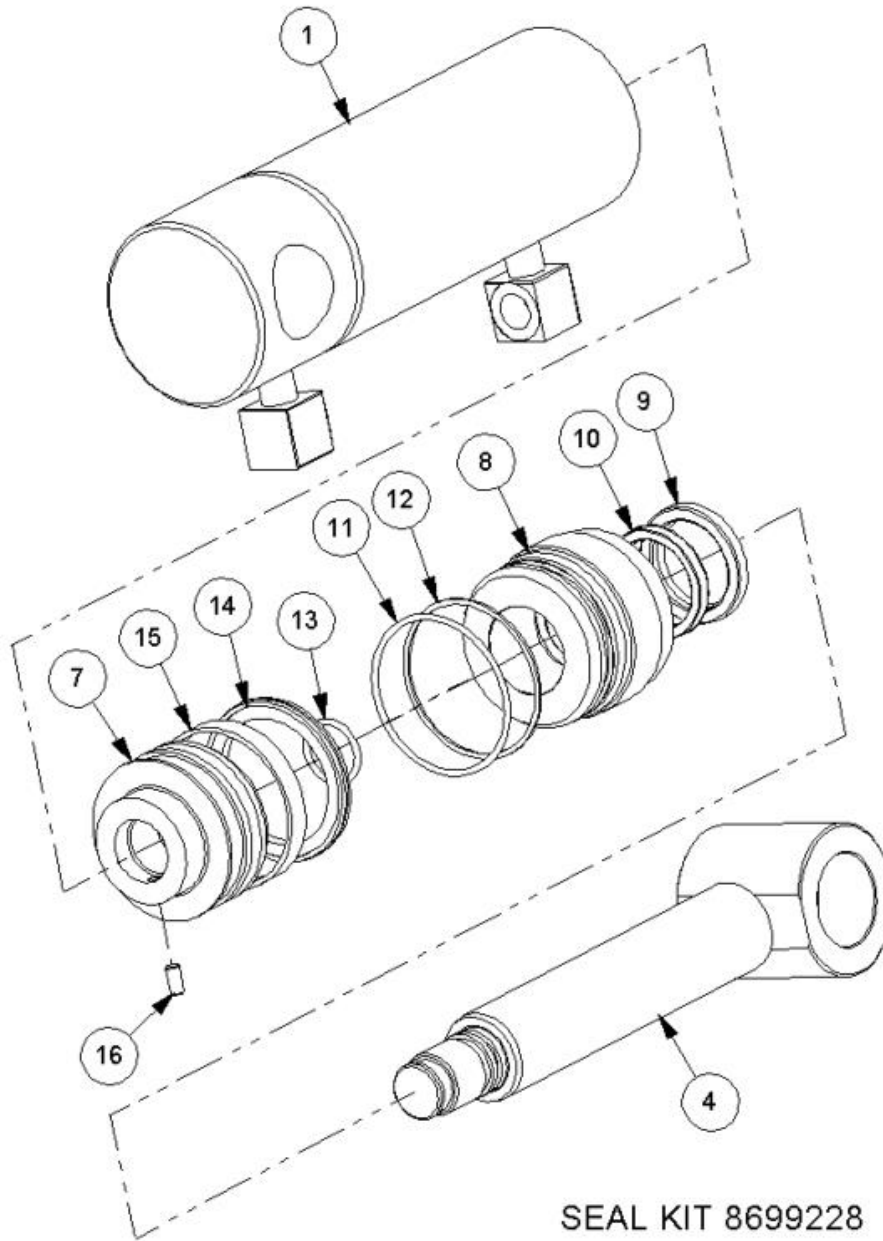
Ref	Part No	Description	QTY
12	22591.09	HOSE SLEEVING	1
13	22591.12	HOSE SLEEVING	2
14	22591.20	HOSE SLEEVING	1
15	22591.19	HOSE SLEEVING	1
16	22591.22	HOSE SLEEVE	1
17	22590.20	HOSE SLEEVING	1
18	22590.18	HOSE SLEEVING	1
19	7196045	HOSE TIE	30
20	22591.21	HOSE SLEEVING	1

43377.08 - RAM ASSY



Ref	Part No	Description	QTY
1	43377.07AP	RAM ASSY	1
1	43377.07P	PAINTED RAM	0
2	8650103	SEAL	2
3	21649.08	BUSH	2
4	42654.15	BUSH	2
5	8581115	ADAPTOR	1
6	3570661	RAM BREATHER	1

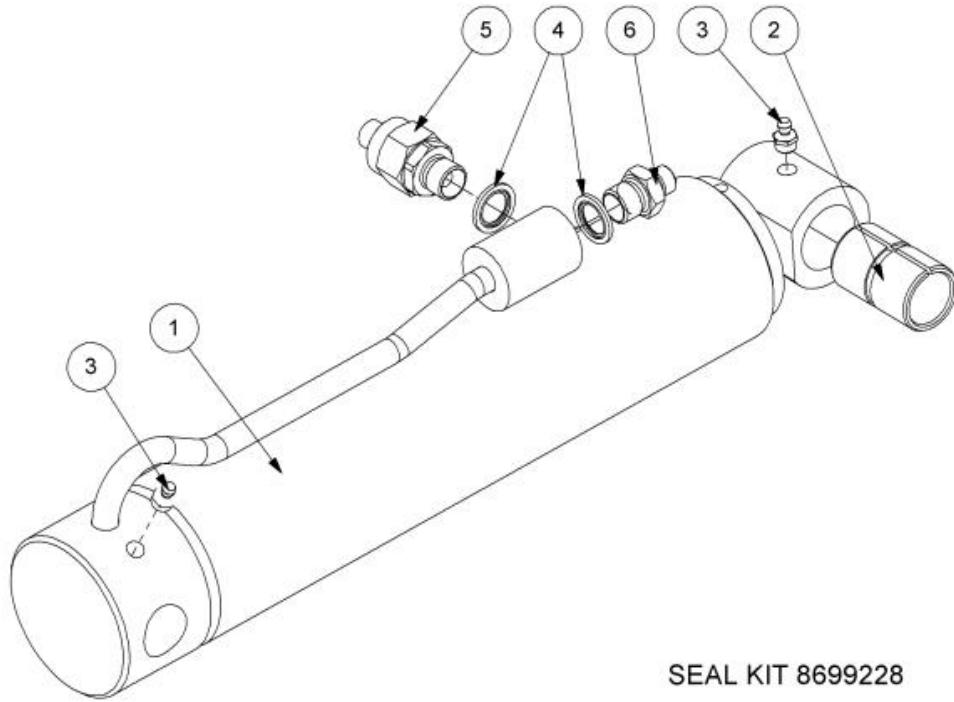
43377.07AP - RAM ASSY



Ref	Part No	Description	QTY
1	43377.20	RAM BARREL	1
2	43377.21	RAM ROD	1
3	7120383	PISTON	1
4	7120384	HOUSING	1
5	8629147	SEAL	1
6	8629164	SEAL	1
7	8600429	"O" RING	1
8	8600403	"O" RING	1
9	8609429	ANTI-EXT.RING	1
10	8629189	SEAL	1
11	8629190	SEAL	1

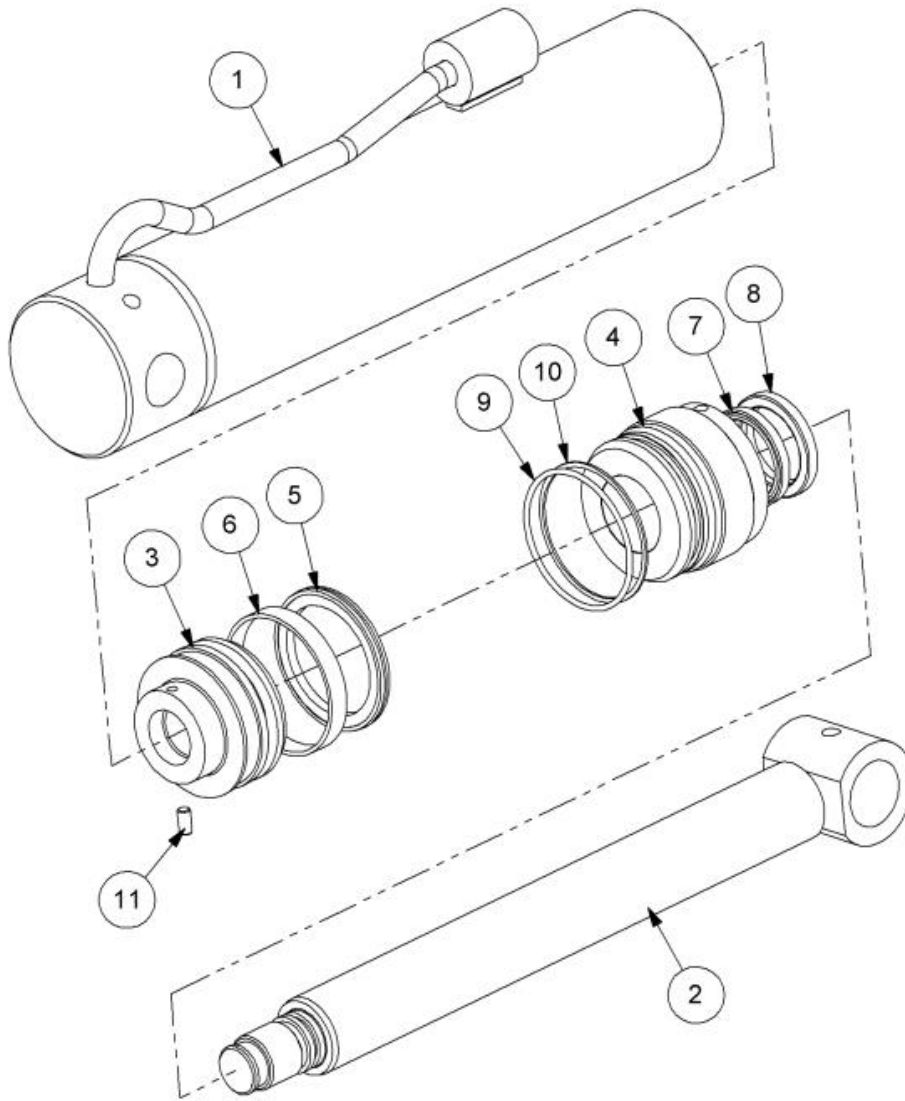
Ref	Part No	Description	QTY
12	9363023	SCREW	1

41014.20 - RAM ASSY



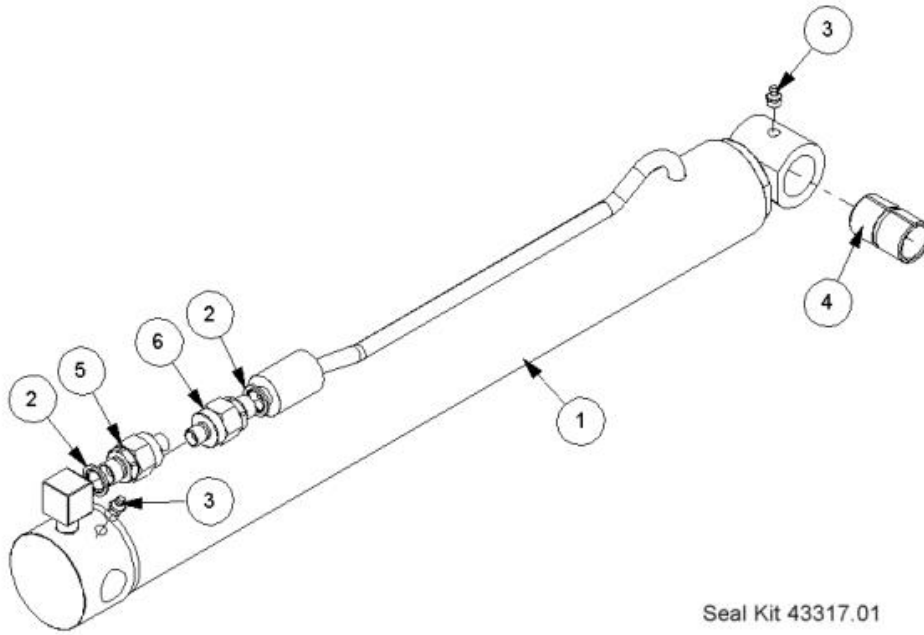
Ref	Part No	Description	QTY
1	41014.19AP	RAM ASSY	1
1	41014.19P	PAINTED RAM	0
2	7105050	BUSH	1
3	0901124	GREASER	2
4	8650103	SEAL	2
5	8123107	RESTRICTOR	1
6	8581115	ADAPTOR	1

41014.19AP - RAM ASSY



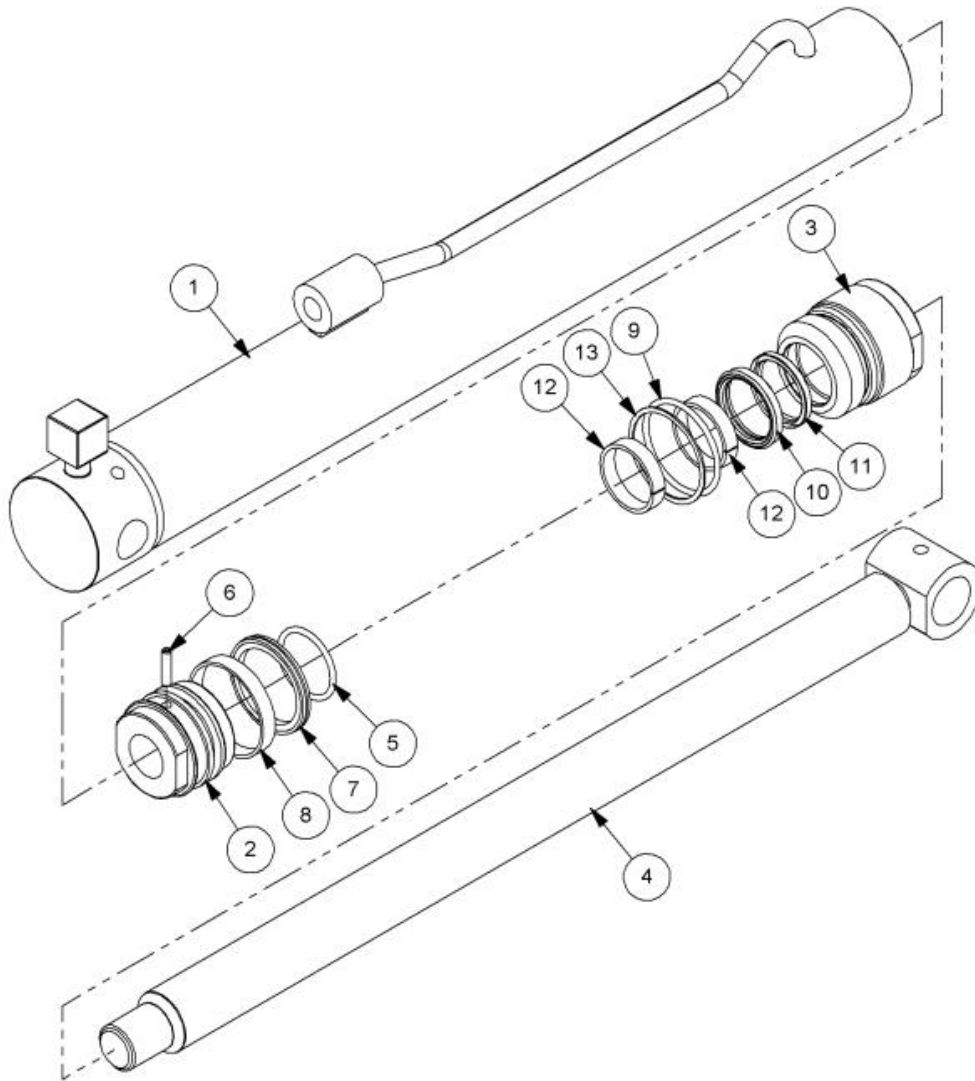
Ref	Part No	Description	QTY
1	41034.20	RAM BARREL	1
2	41035.04	PISTON ROD	1
3	7120383	PISTON	1
4	7120384	HOUSING	1
5	8629189	SEAL	1
6	8629190	SEAL	1
7	8629164	SEAL	1
8	8629147	SEAL	1
9	8600429	"O" RING	1
10	8609429	ANTI-EXT.RING	1
11	9363023	SCREW	1

43317.15 - RAM ASSY



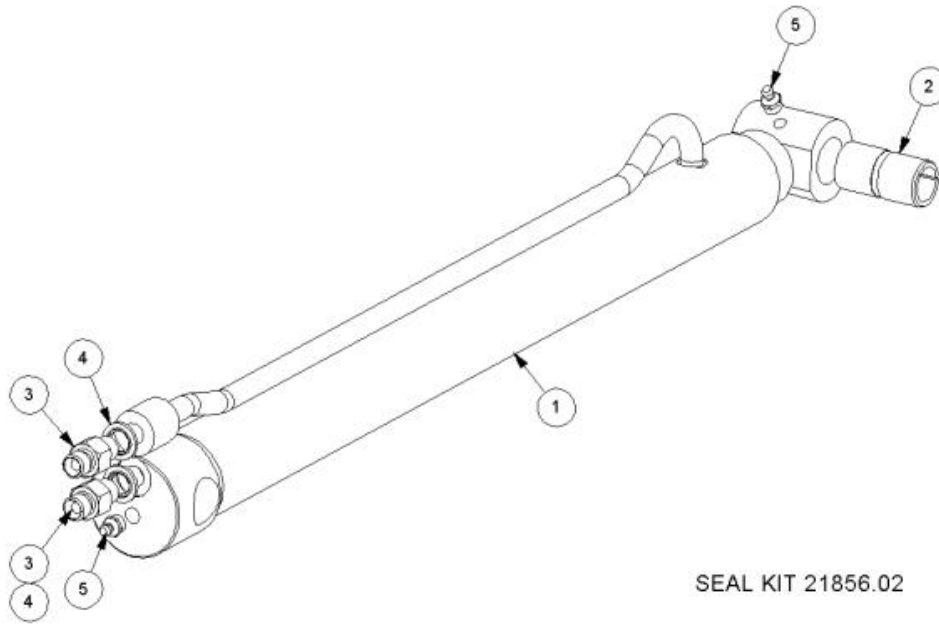
Ref	Part No	Description	QTY
1	43317.01	SEAL KIT	1
1	43317.15AP	RAM ASSY	1
1	43317.15P	PAINTED RAM	0
2	8650103	SEAL	2
3	0901121	GREASER	2
4	7105050	BUSH	1
5	8123109	RESTRICTOR UNION	1
6	8123106	RESTRICTOR UNION	1

43317.15AP - RAM ASSY



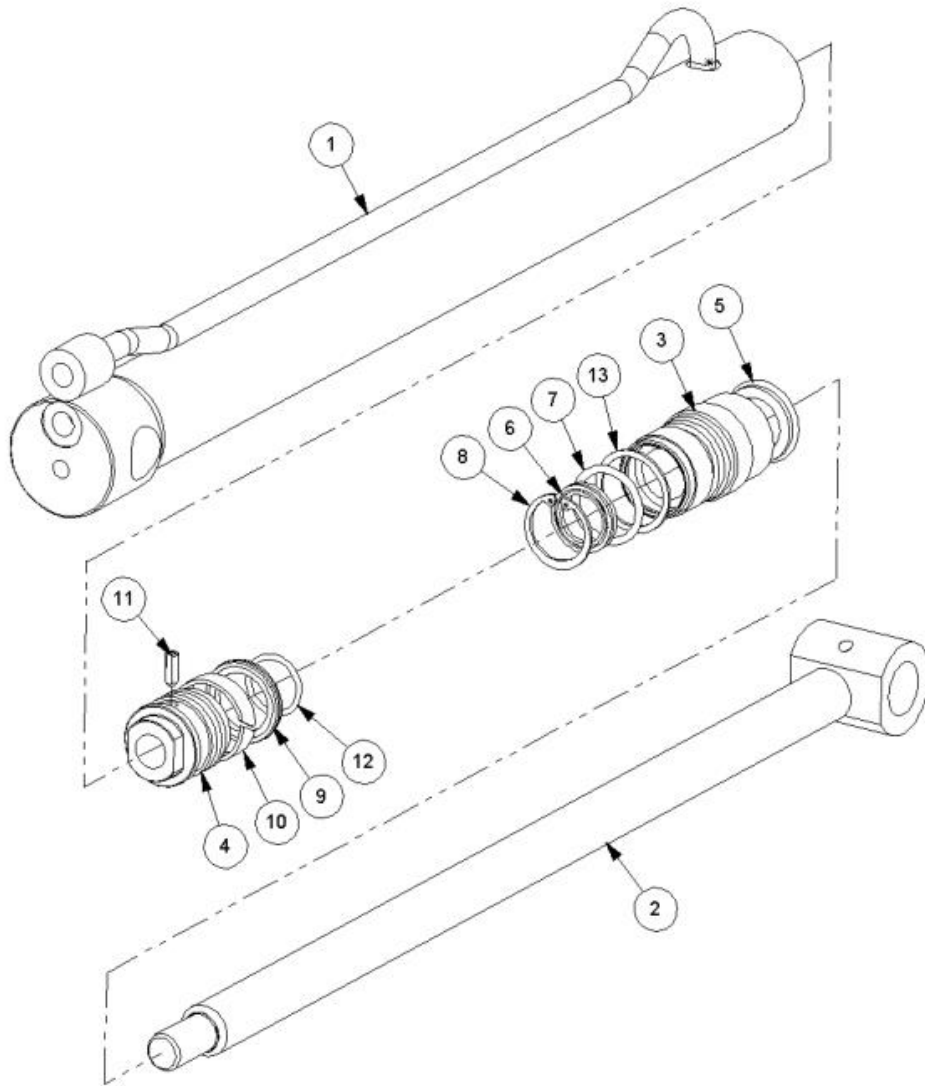
Ref	Part No	Description	QTY
1	43317.58	RAM BARREL	1
2	43317.31	PISTON	1
3	43317.57	STEEL GLAND	1
4	43317.60	PISTON ROD	1
5	8600301	"O" RING	1
6	42775.01	DOWEL	1
7	8629156	SEAL	1
8	8629157	GUIDE RING	1
9	8600306	O-RING	1
10	8629225	SEAL	1
11	8629208	SEAL	1
12	8629262	BEARING RING	2
13	8609306	ANTI.EXT.RING	1

21856.01 - RAM



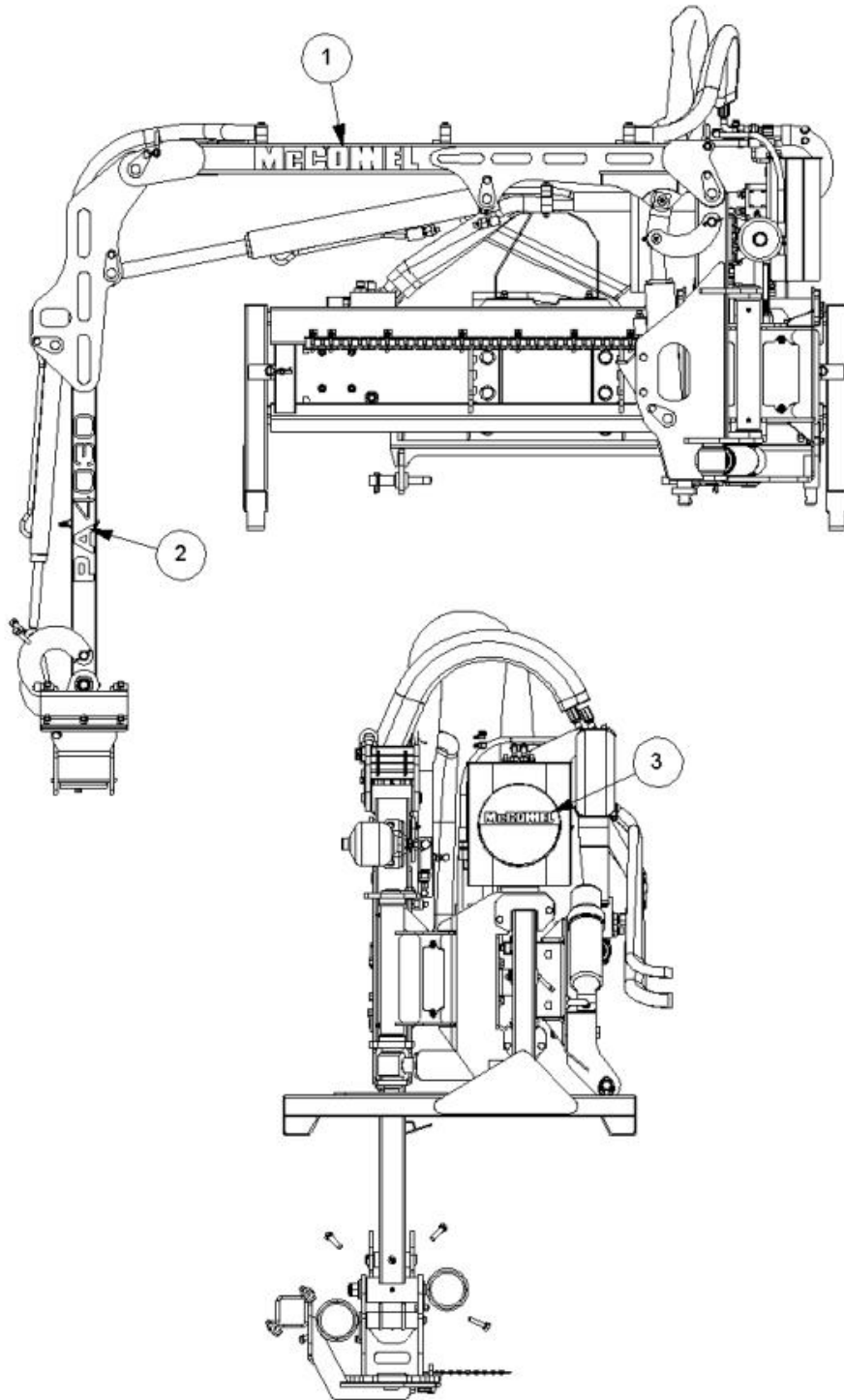
Ref	Part No	Description	QTY
1	21856.01AP	ANGLE	1
1	21856.01P	PAINTED RAM	0
1	21856.02	SEAL KIT	0
2	1130002	BUSH	1
3	8130037	RESTRICTOR	2
4	8650102	SEAL	2
5	0901121	GREASER	2

21856.01AP - ANGLE



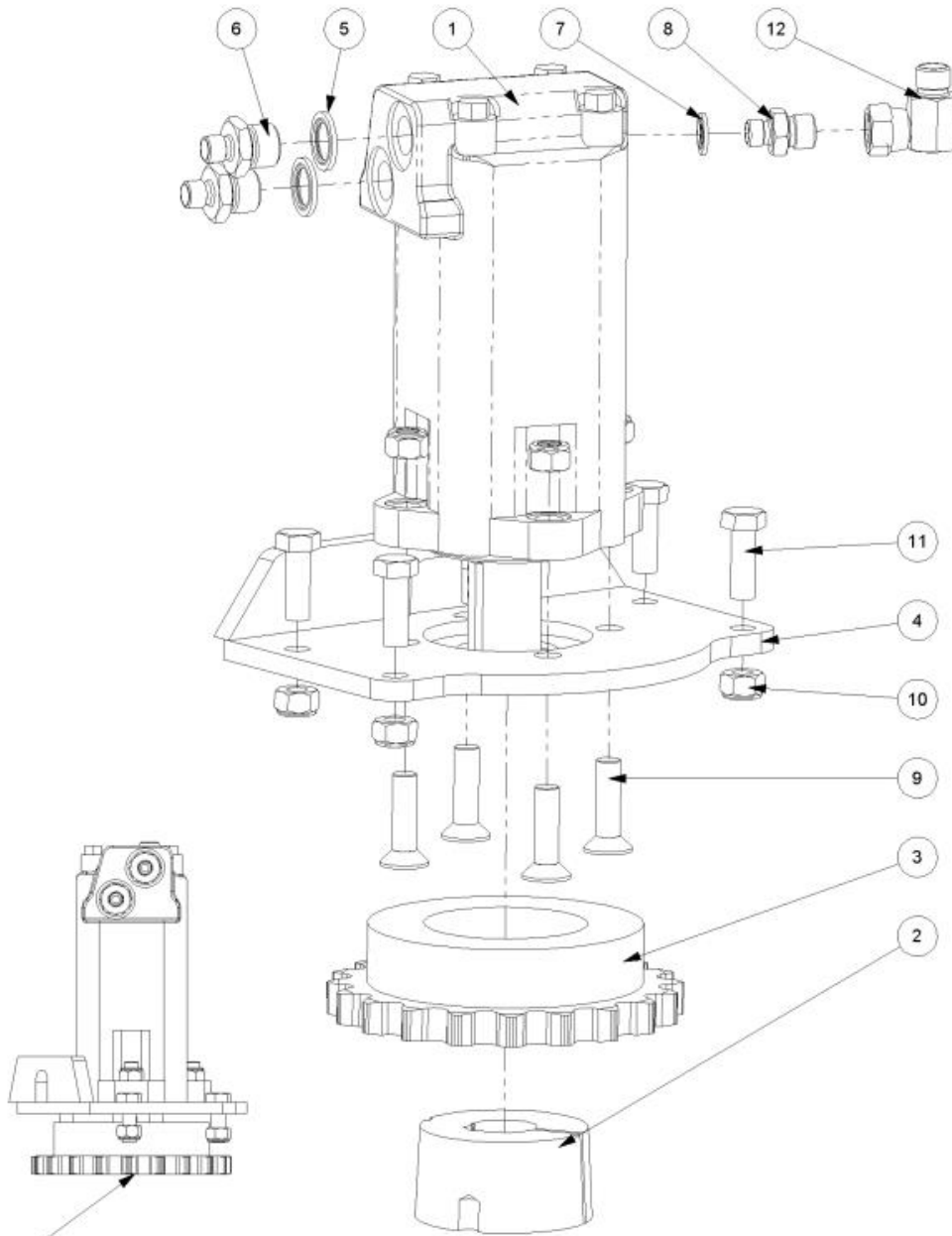
Ref	Part No	Description	QTY
1	21859.01	RAM BARREL	1
2	21857.01	PISTON ROD	1
3	1090273	HOUSING	1
4	21858.01	PISTON	1
5	8129161	SCRAPER RING	1
6	8629162	SEAL	1
7	8600124	O-RING	1
8	0411234	CIRCLIP	1
9	8629240	PISTON SEAL	1
10	8629241	WEAR RING	1
11	42775.03	DOWEL	1
12	8600120	O RING	1
13	8609124	AE RING	1

7402752 - DECALS KIT



Ref	Part No	Description	QTY
1	1290614	DECAL	1
2	1291194	DECAL-PA4030	1
3	1290829	DECAL	1

7402753 - SIDE SHIFT CARRIAGE MOTOR MOD

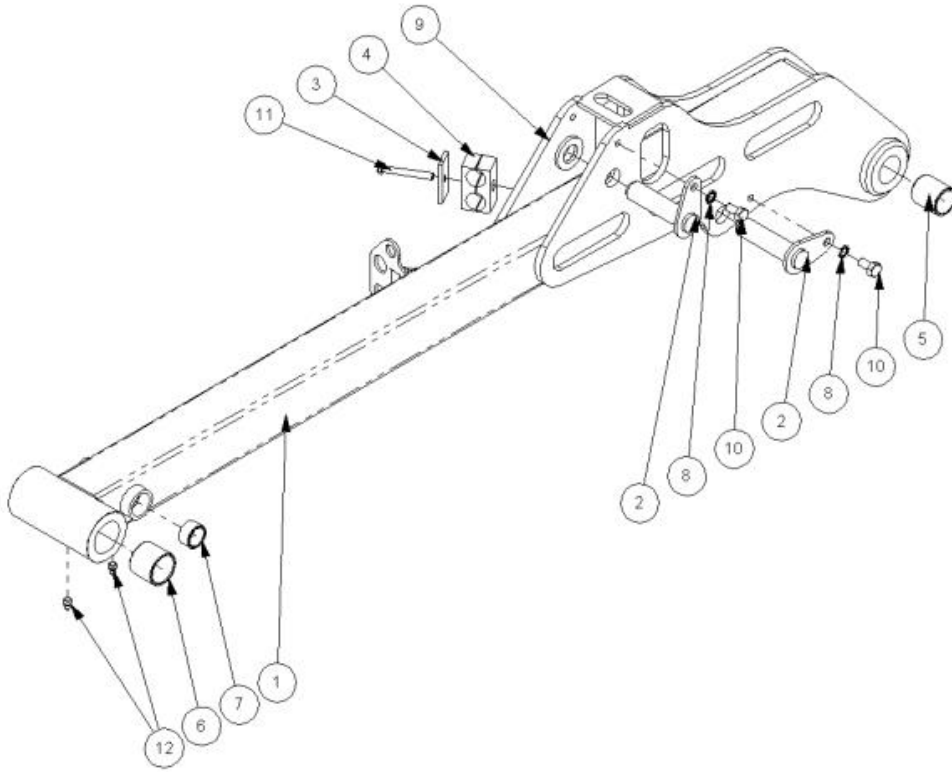


INITIALLY SET SPROCKET FACE
FLUSH WITH END OF MOTOR
SHAFT. ADJUST IF NECESSARY
ONCE FITTED TO CENTRALISE
SPROCKET TEETH WITH CHAIN.

Ref	Part No	Description	QTY
1	8301332	MOTOR	1
2	21579.05	TAPER LOCK BUSH	1
3	23073.05	SPROCKET	1
4	23413.02	MOTOR BRACKET	1
5	8650104	SEAL	2
6	8581172	UNION	2
7	8650102	SEAL	1

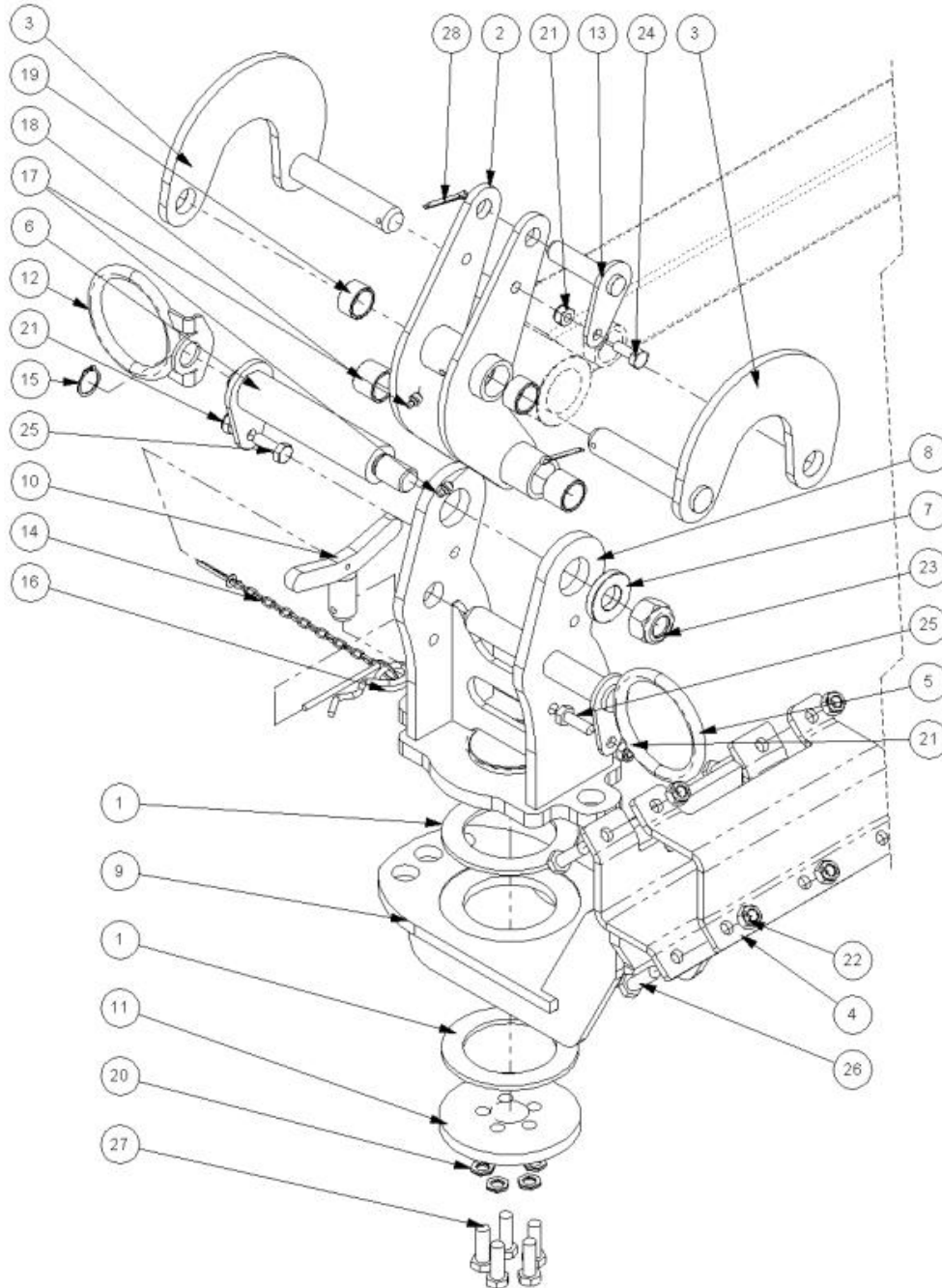
Ref	Part No	Description	QTY
8	8581115	ADAPTOR	1
9	9353096	SCREW	4
10	9163006	NUT	8
11	9313076	SCREW	4
12	8581117	CONNECTOR	1

7402758 - DIPPER ARM MODULE



Ref	Part No	Description	QTY
1	41202.14	DIPPER ARM	1
2	41267.03	PIN	2
3	06.418.03	PLATE	1
4	06.430.09	CLAMP PAIR	1
5	21149.01	BUSH	2
6	7213023	BUSH	2
7	7214060	BUSH	2
8	9100405	WASHER	2
9	9163004	NUT	1
10	9313045	SCREW	2
11	9213134	BOLT	1
12	0901121	GREASER	2

7402759 - HEAD ANGLING & TURN AROUND

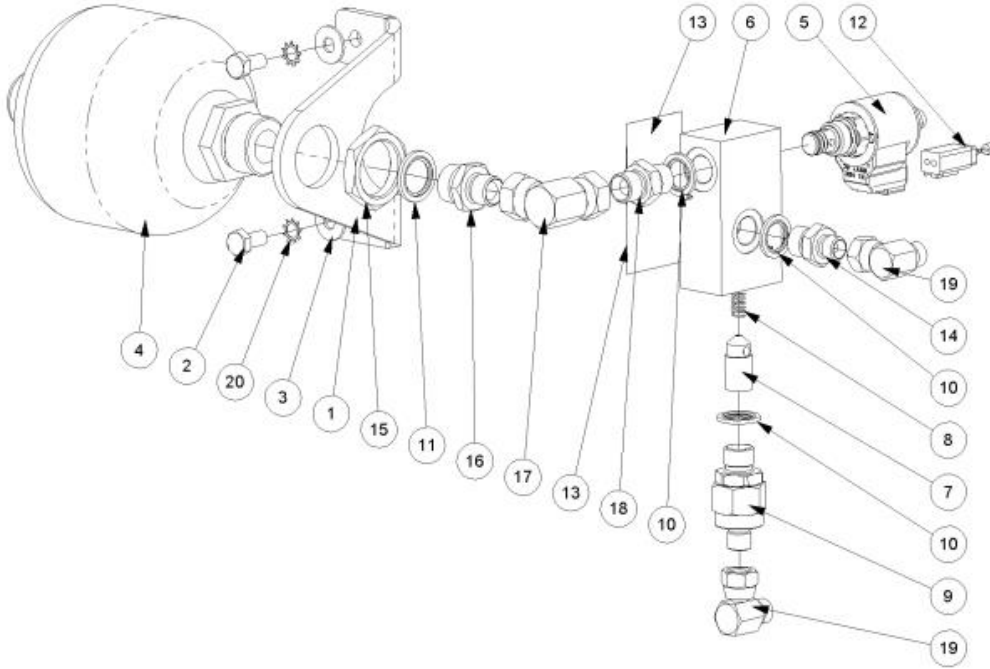


NOTE: DIPPER ARM SHOWN FOR ILLUSTRATION ONLY

Ref	Part No	Description	QTY
1	21652.01	THRUST WASHER	2
2	21850.04	SLAVE LINK	1
3	21851.02	RADIUS ARM	2
4	21873.01	PLATE	1
5	21970.03	PIN	1
6	21971.04	PIN W.A.	1
7	22204.02	WASHER	1

Ref	Part No	Description	QTY
8	23045.03	HEAD ANGLING BRACKET	1
9	23048.03	PIVOTING HEAD MTG BRACKET	1
10	23053.02	LOCKING PIN	1
11	23404.02	CLAMP WASHER	1
12	24083.01	ROTATING HOSE GUIDE	1
13	41270.01	PIN	1
14	03.255.05	RING	1
15	0401225	CIRCLIP	1
16	05.964.02	PIN	1
17	0901121	GREASER	2
18	41690.01	BUSH	2
19	7214060	BUSH	2
20	9100506	WASHER	5
21	9163005	NUT	3
22	9163006	NUT	5
23	9163009	NUT	1
24	9313055	SCREW	1
25	9313065	SCREW	2
26	9313086	SCREW	5
27	9313076	SCREW	5
28	9501406	PIN	2

8126379 - LIFT FLOAT ASSY(NO HOSES)



Ref	Part No	Description	QTY
1	22852.52	BRACKET	1
2	9313034	SCREW	2
3	9100104	WASHER	2
4	41451.02	ACCUMULATOR	1
5	8130223	NC POPPET VALVE	1
6	8126287	BLOCK	1
7	8126037	PISTON	1
8	8116011	SPRING	1
9	8123107	RESTRICTOR	1
10	8650103	SEAL	3
11	8650104	SEAL	1
12	41844.54	ANGLE FLOAT LOOM 2M DT CONNECT	1
13	1290061	DECAL	1
14	8581115	ADAPTOR	1
15	8126035	NUT	1
16	6000112	ADAPTOR	1
17	8581053	ADAPTOR	1
18	6000113	ADAPTOR	1
19	8581190	ADAPTOR	2
20	9100404	WASHER	2

8130223 - NC POPPET VALVE

No Picture Available

Ref	Part No	Description	QTY
1	8130220	COIL FOR 8130223	1
2	8130221	VALVE FOR 8130223	1
3	8130222	COIL RETAINING NUT FOR 8130223	1