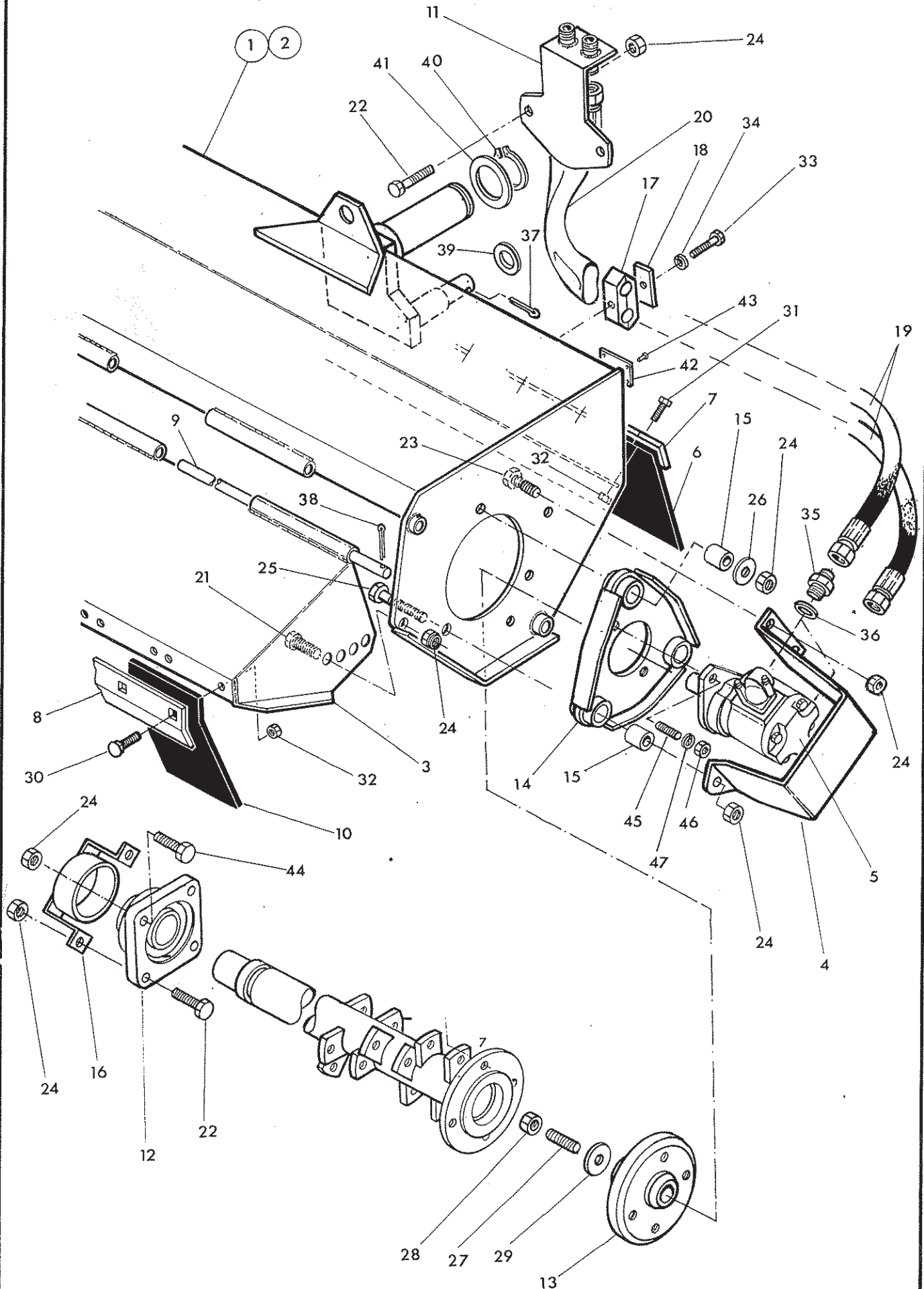


FLAIL HEAD CASING



McCOMEL



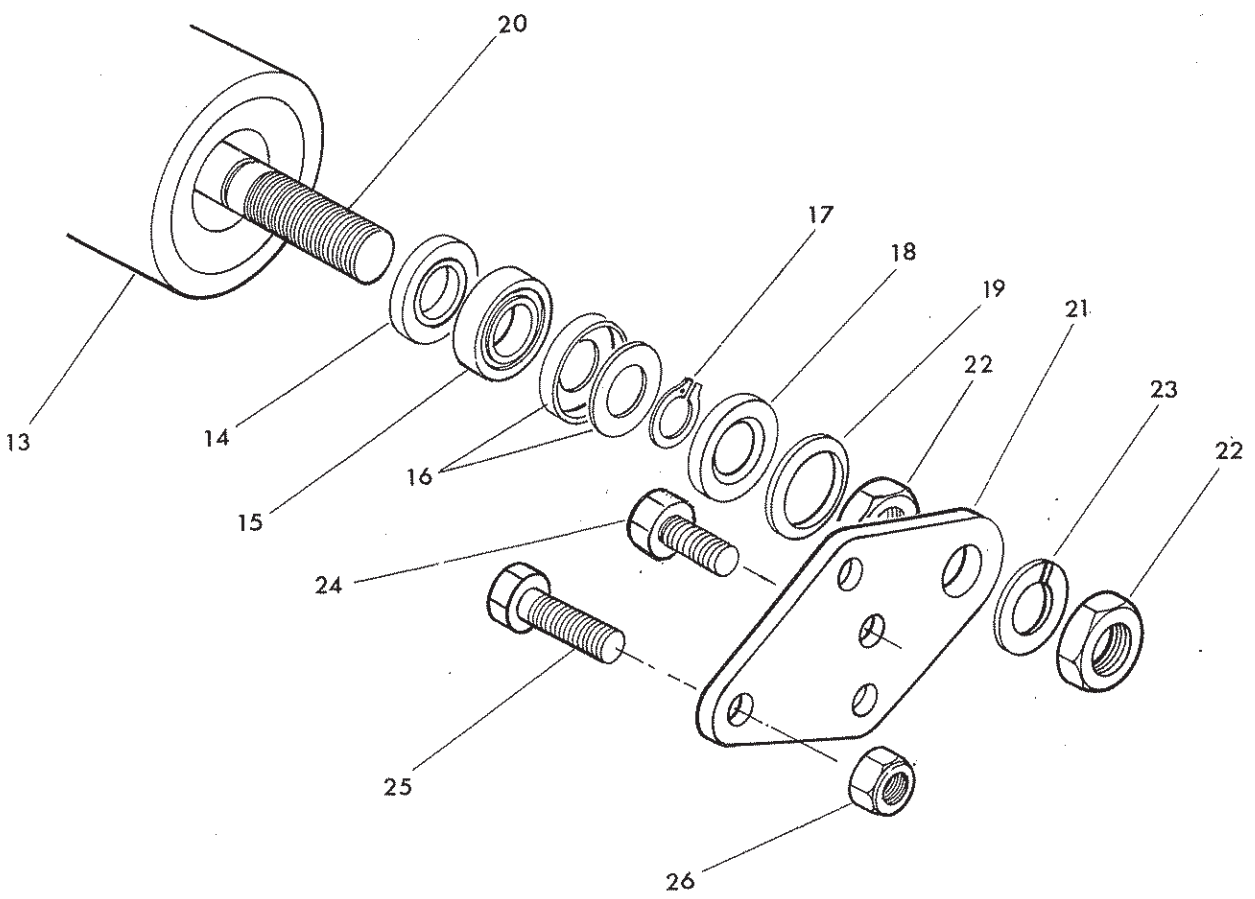
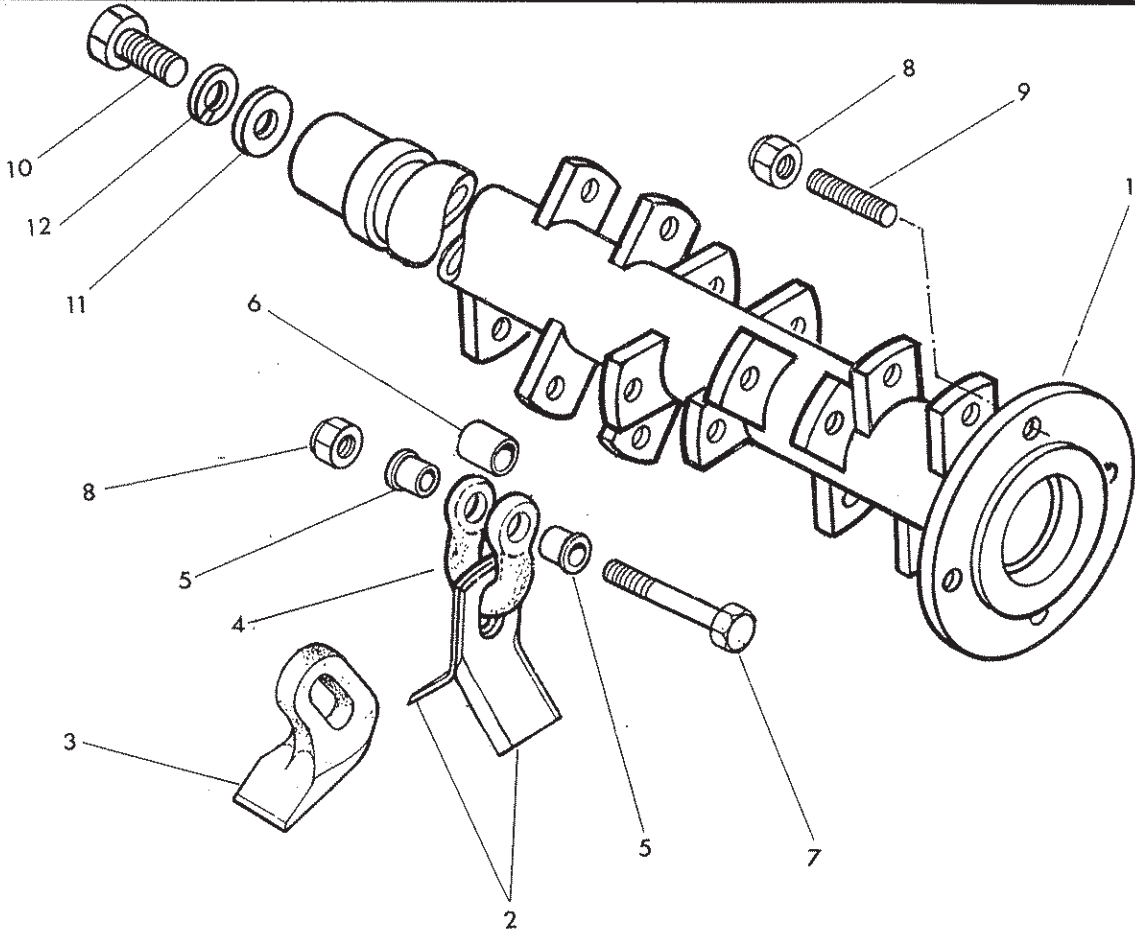


Ref.	Part No.	Qty	Description
FLAIL HEAD CASING			
1	41282.01	1	Casing - L.Hand
2	41282.02	1	Casing - R.Hand - not illus.
3	41283.01	1	Front hood
4	41288.01	1	Motor cover
5	08.785.05	1	Hydraulic motor
6	41289.01	1	Rear flap
7	41290.01	1	Clamp strip - rear
8	41291.01	1	Clamp strip - front
9	41293.01	1	Hood pivot bar
10	41296.01	6	Front flap
11	41297.01	1	Hose bracket
12	03.008.01	1	Flange bearing
13	03.833.01	1	Drive plate
14	09.132.01	1	Motor mounting plate
15	03.871.01	3	Rubber bush
16	06.037.01	1	Bearing cover
17	06.430.09	1	Hose clamp
18	06.418.03	1	Clamp plate
19	85 01 247	2	Hose 5/8 BSPX43 long FS-FS
20	09.868.05	1	Hose sleeve
21	93 13 046	2	Setscrew
22	93 13 086	4	Setscrew
23	93 13 056	2	Setscrew
24	91 43 006	13	Self locking nut
25	92 13 136	3	Bolt
26	02.824.01	2	Washer
27	03.960.02	1	Stud
28	01 41 003	1	Self locking nut
29	03.959.02	1	Plain washer - special
30	92 93 054	12	Cup screw
31	93 13 034	8	Setscrew
32	91 43 004	20	Self locking nut
33	92 13 094	1	Bolt
34	91 00 204	1	Spring washer
35	85 81 270	2	Adaptor
36	86 50 106	2	Bonded seal
37	95 01 406	1	Split pin
38	95 01 325	1	Split pin
39	01 00 109	1	Plain washer
40	04 06 247	1	External circlip
41	10 90 037	1	Retaining washer
42	13 35 246	1	Serial No. Plate
43	71 03 230	4	Pop rivet
44	93 13 076	2	Setscrew
45	04.282.56	2	Stud
46	91.13.005	2	Plain nut
47	91.00.205	2	Spring washer
08.785.02		SEAL KIT - hydraulic motor	

ROTOR & FLAIL OPTIONS
ROLLER



McCONEL





Ref.	Part No.	Qty	Description
ROTOR			
1	41284.01	1	Rotor
2	71 90 166	48	Flail - grass
3	71 90 463	24	Flail - universal
4	05.895.01	24	Shackle
5	02.801.01	48	Collar
6	02.807.01	24	Spacer
7	05.775.02	24	Bolt
8	05.968.02	28	Self locking nut
9	03.917.01	4	Stud
10	93 13 076	1	Setscrew
11	02.824.01	1	Washer - special
12	91 00 206	1	Spring washer

ROLLER			
	41301.01	1	Roller assembly compr:-
13	41301.31	1	Roller
14	04.456.07	2	Seal
15	04.456.11	2	Bearing
16	04.456.06	2	Labyrinth seal
17	04.456.04	2	External circlip
18	04.456.08	2	V seal
19	04.456.05	2	Bearing retainer
20	41301.32	1	Roller shaft
21	41285.01	2	Roller bracket
22	91 13 008	4	Plain nut
23	91 00 208	2	Spring washer
24	93 13 066	2	Setscrew
25	93 13 086	2	Setscrew
26	91.43.006	4	Self locking nut