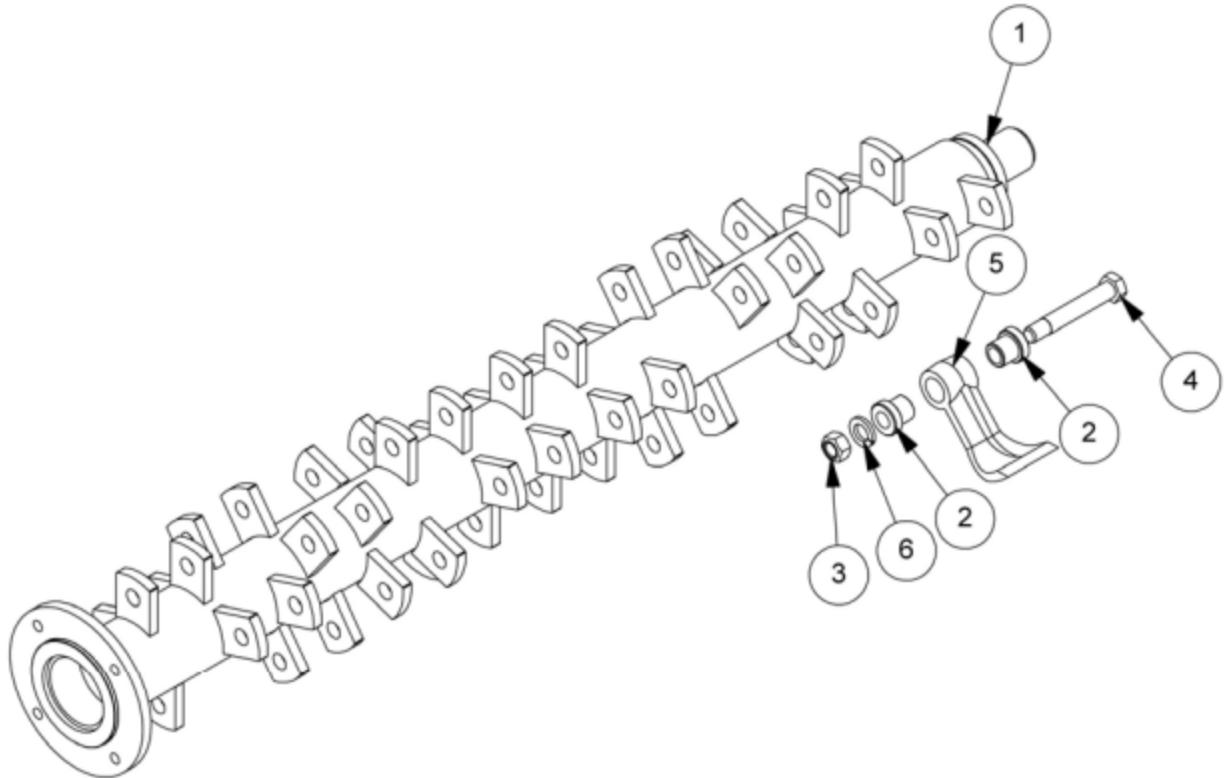


PARTS MANUAL

FOR

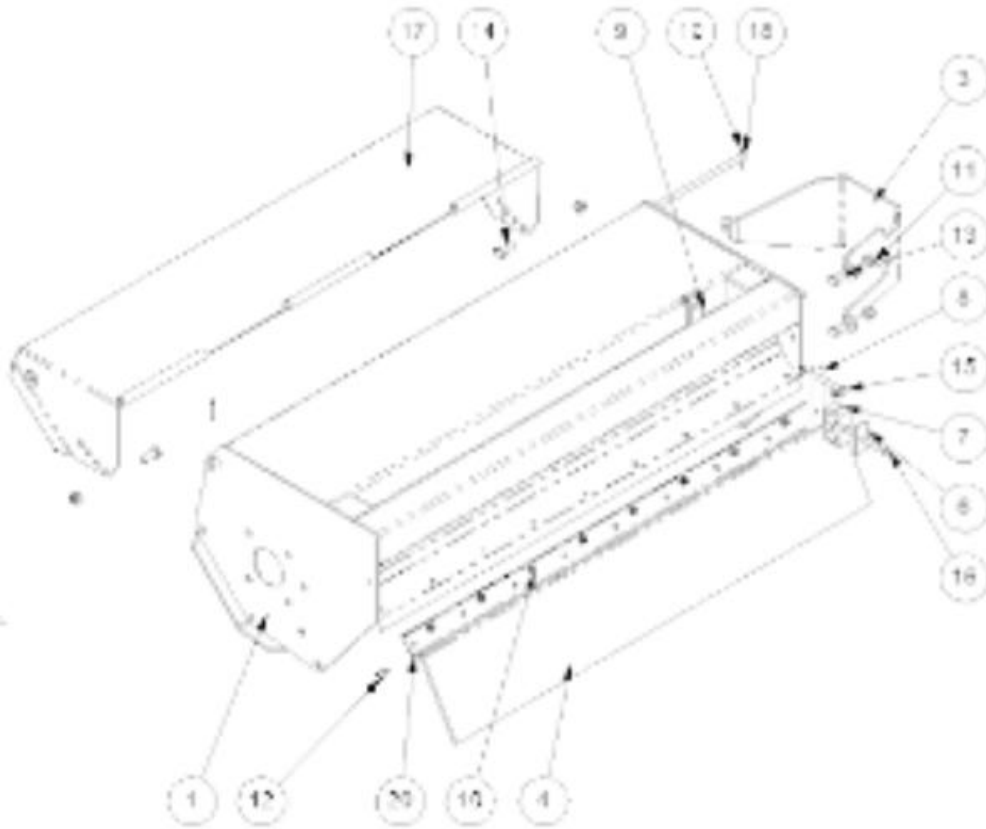
SERIAL NO: M2061695

PRINTED ON 12 MAY 2020



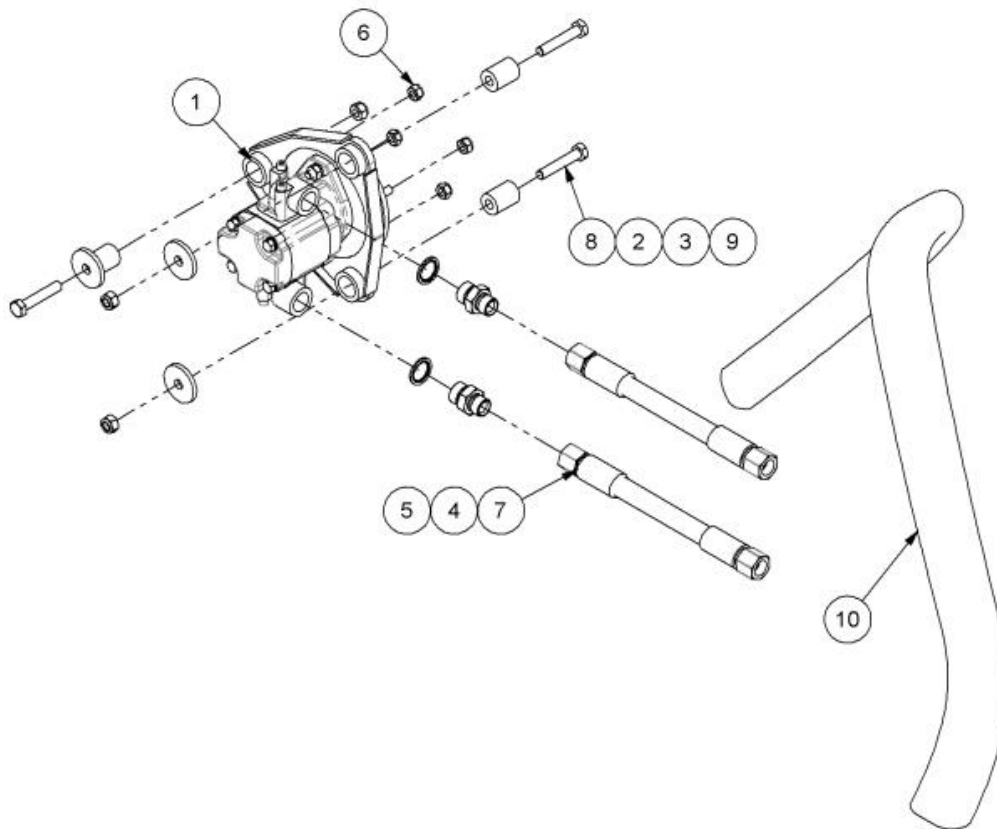
| REF. | QTY. | PART No. | DESCRIPTION |
|------|------|-----------------|--|
| | | 21959.11 | 1.0M ROTOR ASSEMBLY - F91 SE Flails |
| 1 | 1 | 41284.02 | 1.0M ROTOR |
| 2 | 56 | 21637.01 | FLAIL BUSH - STEPPED |
| 3 | 28 | 05.968.06 | SELF LOCKING NUT |
| 4 | 28 | 05.775.10 | BOLT - SPECIAL |
| 5 | 28 | 7198390 | SINGLE EDGE FLAIL |
| 6 | 28 | 9100207 | SPRING WASHER |

22494.31 - CASING MODULE



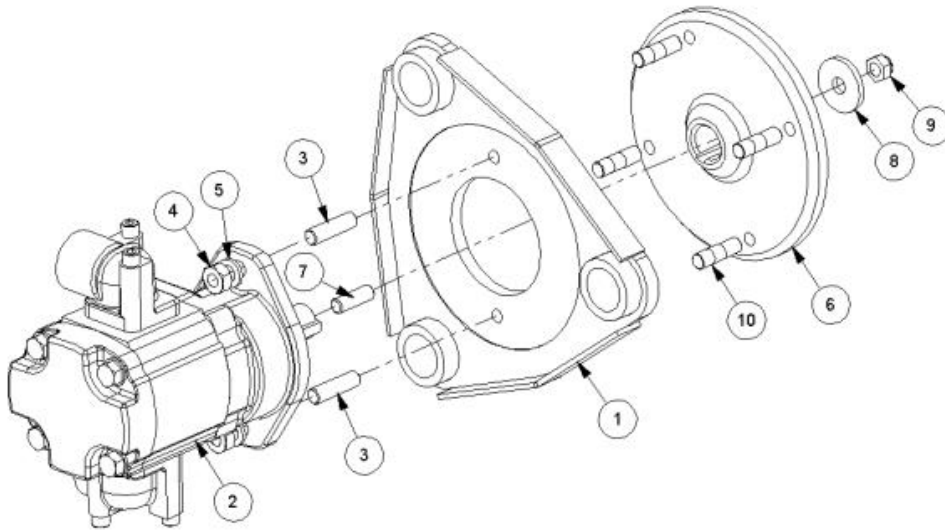
| Ref | Part No | Description | QTY |
|-----|-----------|-------------|-----|
| 1 | 41282.11 | CASING -LH | 1 |
| 3 | 42495.02 | COVER | 1 |
| 4 | 41289.02 | FLAP | 1 |
| 6 | 06.418.03 | PLATE | 1 |
| 7 | 06.430.09 | CLAMP PAIR | 1 |
| 8 | 21874.01 | PLATE | 1 |
| 9 | 21874.02 | PLATE | 1 |
| 10 | 9163004 | NUT | 11 |
| 11 | 9163006 | NUT | 4 |
| 12 | 9313044 | SCREW | 9 |
| 13 | 9313056 | SCREW | 2 |
| 14 | 9313066 | SCREW | 2 |
| 15 | 9213204 | BOLT | 1 |
| 16 | 41283.02 | HOOD | 1 |
| 16 | 9213304 | BOLT | 1 |
| 17 | 41293.02 | BAR | 1 |
| 18 | 9501325 | PIN | 2 |
| 20 | 41290.03 | CLAMP STRIP | 1 |

22495.32 - MOTOR MODULE



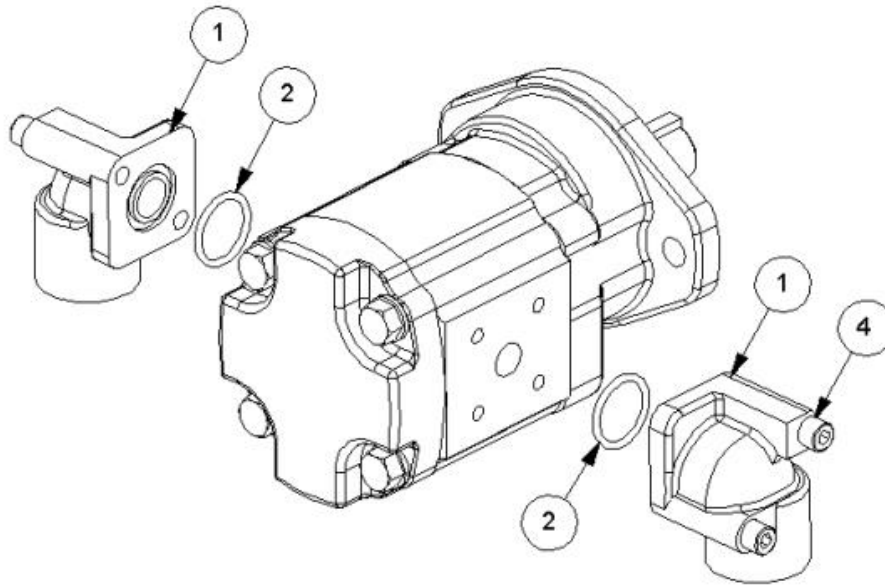
| Ref | Part No | Description | QTY |
|-----|-----------------|---------------|-----|
| 1 | 42603.02 | MOTOR & MTG | 1 |
| 2 | 03.871.01 | BUSH | 3 |
| 3 | 02.824.01 | WASHER | 3 |
| 4 | 8581270 | ADAPTOR | 2 |
| 5 | 8650106 | SEAL | 2 |
| 6 | 05.968.02 | NUT | 4 |
| 7 | 10.007.30 | HOSE | 2 |
| 8 | 9213136 | BOLT | 3 |
| 9 | 9163006 | NUT | 3 |
| 10 | 22590.26 | HOSE SLEEVING | 1 |

42603.02 - MOTOR & MTG



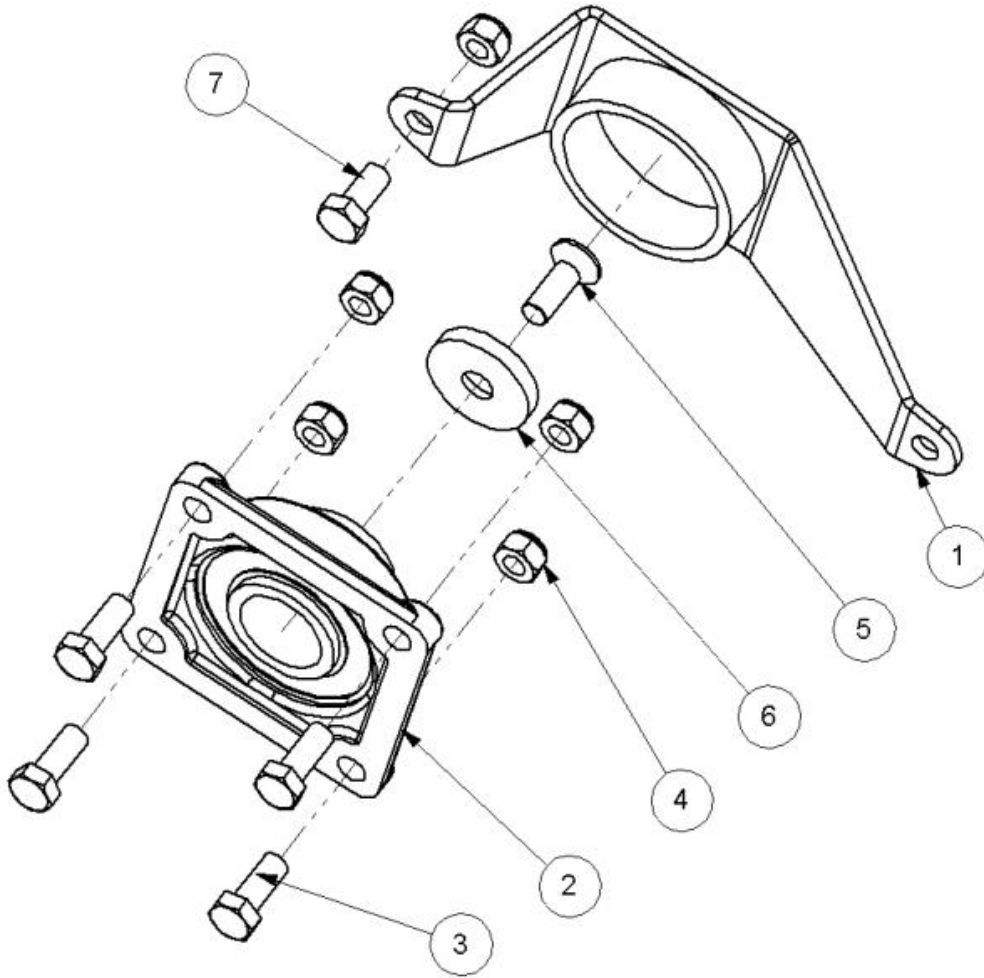
| Ref | Part No | Description | QTY |
|-----|------------------|-------------|-----|
| 1 | 09.132.01 | PLATE | 1 |
| 2 | 08.785.05 | MOTOR | 1 |
| 3 | 04.282.56 | STUD | 2 |
| 4 | 9113005 | NUT | 2 |
| 5 | 9100205 | WASHER | 2 |
| 6 | 03.833.01 | PLATE | 1 |
| 7 | 03.960.02 | STUD | 1 |
| 8 | 03.959.02 | WASHER | 1 |
| 9 | 0141003 | NUT | 1 |
| 10 | 03.917.01 | STUD | 4 |

08.785.05 - MOTOR



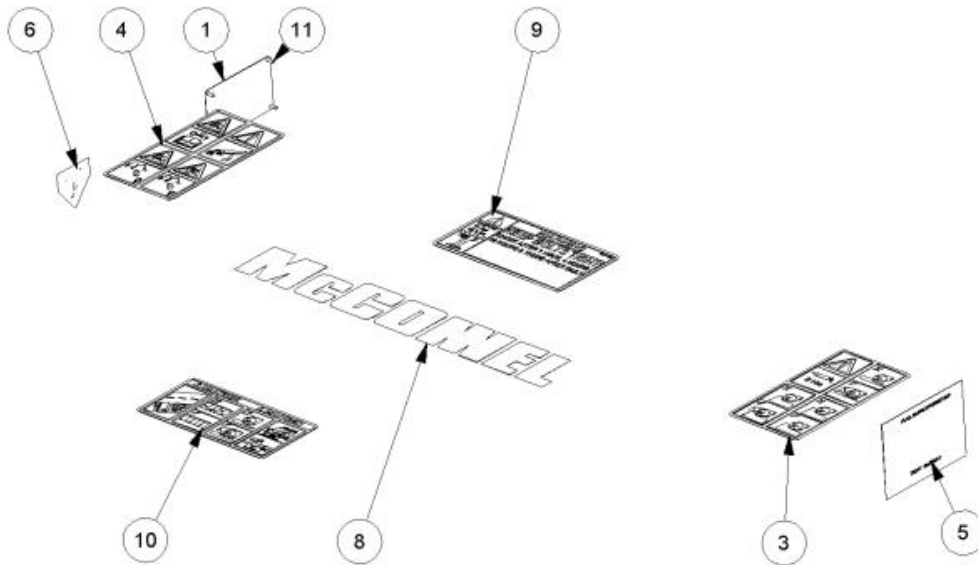
| Ref | Part No | Description | QTY |
|-----|-----------|-------------|-----|
| 1 | 08.785.07 | FLANGE | 2 |
| 2 | 8600403 | "O" RING | 2 |
| 3 | 08.785.06 | SEAL KIT | 1 |
| 4 | 05.625.25 | CAPSCREW | 2 |

22498.11 - FLAIL HEAD DRIVE MODULE



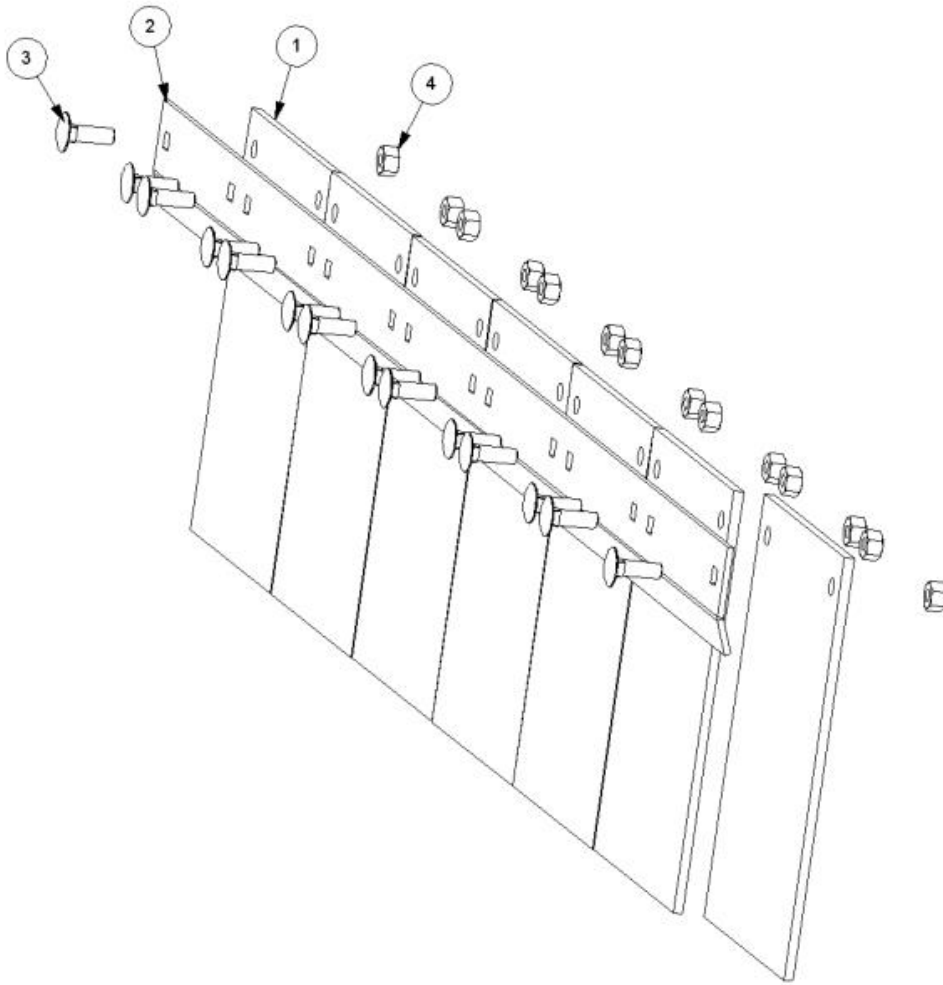
| Ref | Part No | Description | QTY |
|-----|-----------|----------------------------|-----|
| 1 | 42496.01 | COVER | 1 |
| 2 | 03.008.02 | BRG ASSY SF40HLT HIGH TEMP | 1 |
| 3 | 9313066 | SCREW | 4 |
| 4 | 9163006 | NUT | 5 |
| 5 | 9353076 | SCREW | 1 |
| 6 | 42503.01 | WASHER | 1 |
| 7 | 9313056 | SCREW | 1 |

7350710 - STICKER MODULE



| Ref | Part No | Description | QTY |
|-----|-----------|------------------|-----|
| 1 | 1335246 | SERIAL No. PLATE | 1 |
| 3 | 1290738 | DECAL | 1 |
| 4 | 09.821.35 | DECAL | 1 |
| 5 | 1290392 | DECAL | 1 |
| 6 | 09.810.01 | DECAL | 1 |
| 8 | 1290255 | DECAL | 1 |
| 9 | 1291065 | DECAL | 1 |
| 10 | 1291231 | DECAL | 1 |
| 11 | 7103230 | RIVET | 4 |

7442254 - FLAP KIT



| Ref | Part No | Description | QTY |
|-----|----------|-------------|-----|
| 1 | 41296.02 | FLAP | 7 |
| 2 | 41291.02 | STRIP | 1 |
| 3 | 9293054 | BOLT | 14 |
| 4 | 9163004 | NUT | 14 |