

Publication 548
August 2008
Part No. 41571.48
Revision: 07.05.09



PA50 ECO *Mk2*

PA55 ECO *Mk2*

Parts Manual



For best performance...

USE ONLY McCONNEL GENUINE SERVICE PARTS

To be assured of the latest design improvements purchase your 'Genuine Replacements' from the **Original Equipment Manufacturer:**

McCONNEL LIMITED

through your local Dealer or Stockist.

Always quote:

- *Machine Type*
- *Serial Number*
- *Part Number*

McConnel Limited

Temeside Works, Ludlow, Shropshire, SY8 1JL, England.

Telephone: 01584 873131

www.mcconnel.com

*Design Improvements may have altered some of the parts listed in this manual –
The latest part will always be supplied when it is interchangeable with an earlier one.*

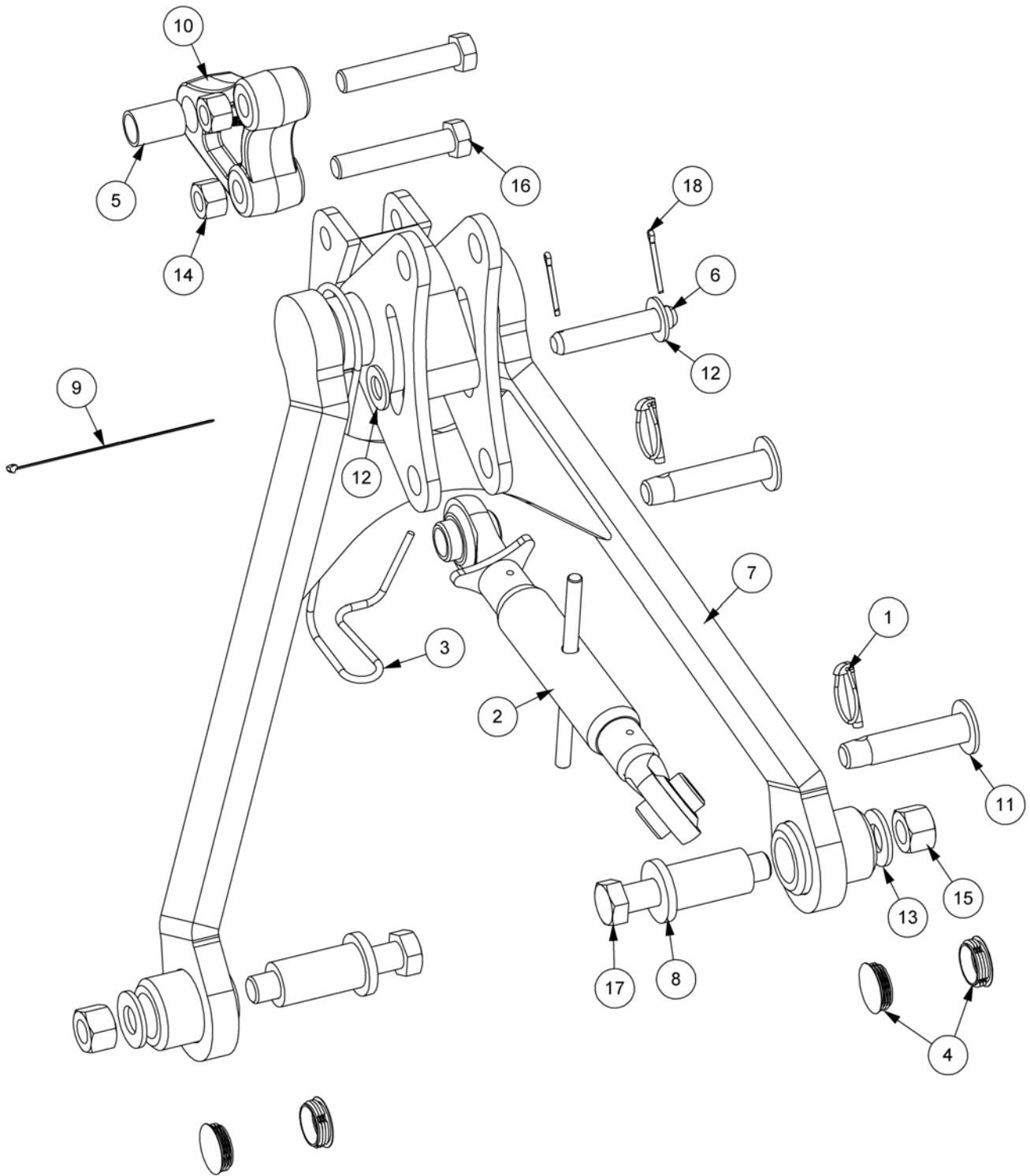
CONTENTS

	<i>Page No.</i>
Stabilizer Assembly	1
Main Frame Assembly	3
Pillar Assembly	5
Main Arm Assemblies – <i>5.0m & 5.5m Machines</i>	7
Dipper Arm Assemblies – <i>Standard 5.0m & 5.5m Machines</i>	9
Head Angling Mechanism	11
Hydraulic Tank Assembly	13
Pump & Gearbox Assembly – <i>SI Models</i>	15
Pump & Gearbox Assembly – <i>TI Models (BSP Build)</i>	17
Pump & Gearbox Assembly – <i>TI Models (JIC Build)</i>	19
Gearbox Assembly	21
Rotor Control Valve Assembly	24
Cable Control Valve Assembly – <i>SI & TI Models (BSP Build)</i>	25
Cable Control Valve Assembly – <i>SI & TI Models (JIC Build)</i>	27
Electric Control Valve Assembly – <i>TI Models (BSP Build)</i>	29
XTC Electric Control Valve Assembly – <i>TI Models (JIC Build)</i>	33
Multi Lever Electric Switchbox Controls	35
Mono Lever Electric Controls	37
XTC Electric Proportional Controls	39
Lift Ram Assemblies – <i>BSP & JIC Builds</i>	41
Reach Ram Assemblies – <i>BSP & JIC Builds</i>	42
Angling Ram Assemblies – <i>BSP & JIC Builds</i>	43
Slew Ram Assemblies – <i>BSP & JIC Builds</i>	44
Hydraulic Hose Installation	45
Lift Float Kits – <i>BSP & JIC Builds</i>	47
Control Mounting Kits	49
Cab Guard Kit	50
Rear Covers Assembly	51
Decal Kits	53

STABILIZER ASSEMBLY

Module(s): 7499633

McCONEL



STABILIZER ASSEMBLY

McCONNEL

Module(s): 7499633

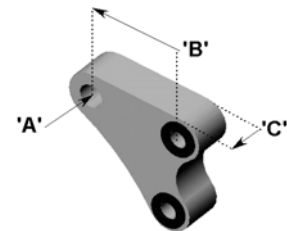
REF.	QTY.	PART No.	DESCRIPTION
		7499633	STABILIZER KIT
1	2	0431217	LINCH PIN
2	1	07.584.02	TOP LINK ASSEMBLY - HEAVY DUTY
3	1	21160.03	PTO HOOK
4	4	21388.01	PLASTIC INSERT
5	1	21883.01	SLEEVE - CAT.2 TO CAT.3
6	1	22072.01	QUADRANT PIN
7	1	41205.13	NARROW NOSE STABILIZER
8	2	45999.02	SPACER
9	1	7196045	HOSE TIE
10	1	7499506C	STABILIZER TONGUE - CAT.3 (CAST)
11	2	7560144	TOP LINK PIN
12	2	9100108	FLAT WASHER
13	2	9100109	FLAT WASHER
14	2	9143008	SELF-LOCKING NUT
15	2	9143009	SELF-LOCKING NUT
16	2	9213228	BOLT
17	2	9213289	BOLT
18	2	9501406	SPLIT PIN

McCONNEL STABILIZER TONGUES

'A' – Hole diameter

'B' – Hole center spacing

'C' – Stabilizer width



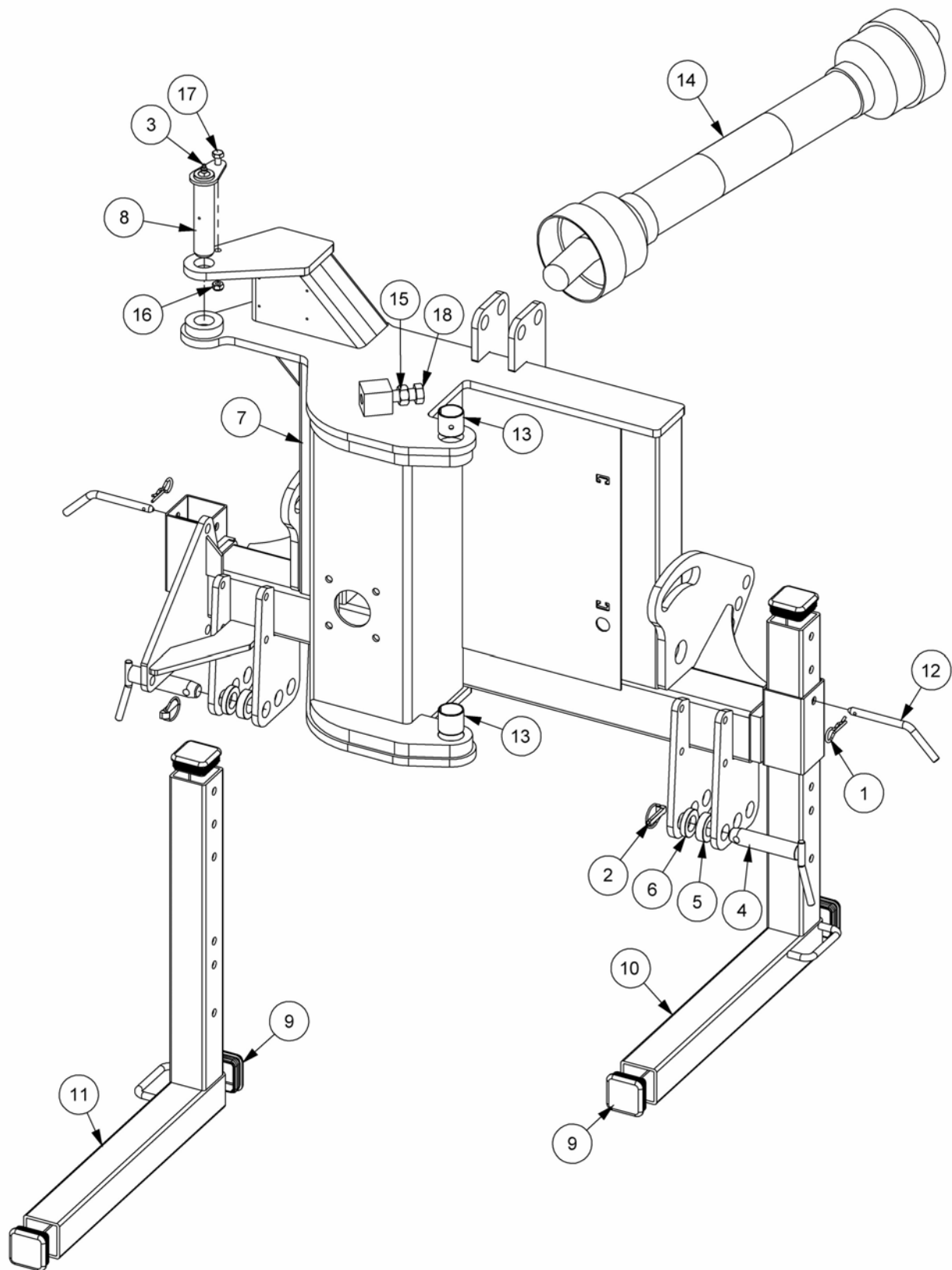
(Dimensions in mm)

Part No.	Description	'A'	'B'	'C'
7499501	Tongue: Standard – Cat. 2	27	107	45
7499500	Tongue: Special – Cat. 2 narrow	27	107	35
7499502	Tongue: Special – Cat. 2 long	27	217	45
7499503	Tongue: Special – Cat. 3 long	32	217	45
7499504	Tongue: Special – Cat. 1	19.5	107	35
7499505	Tongue: Special – Cat. 2 for Case TX tractors	25	120	50
7499506	Tongue: Special – Cat. 3	32	107	45
7499507	Tongue: Special – Cat. 3 narrow	32	107	30
7499508	Tongue: Special – for some Ford tractors	28.6	107	45
7499262	Tongue: Special – Cat. 2 extra long for Aebi	27	260	45
7499510	Tongue: Special – Cat. 2	27	107	40

MAIN FRAME ASSEMBLY

Module(s): 7150711

McCONEL



MAIN FRAME ASSEMBLY**McCONNEL**

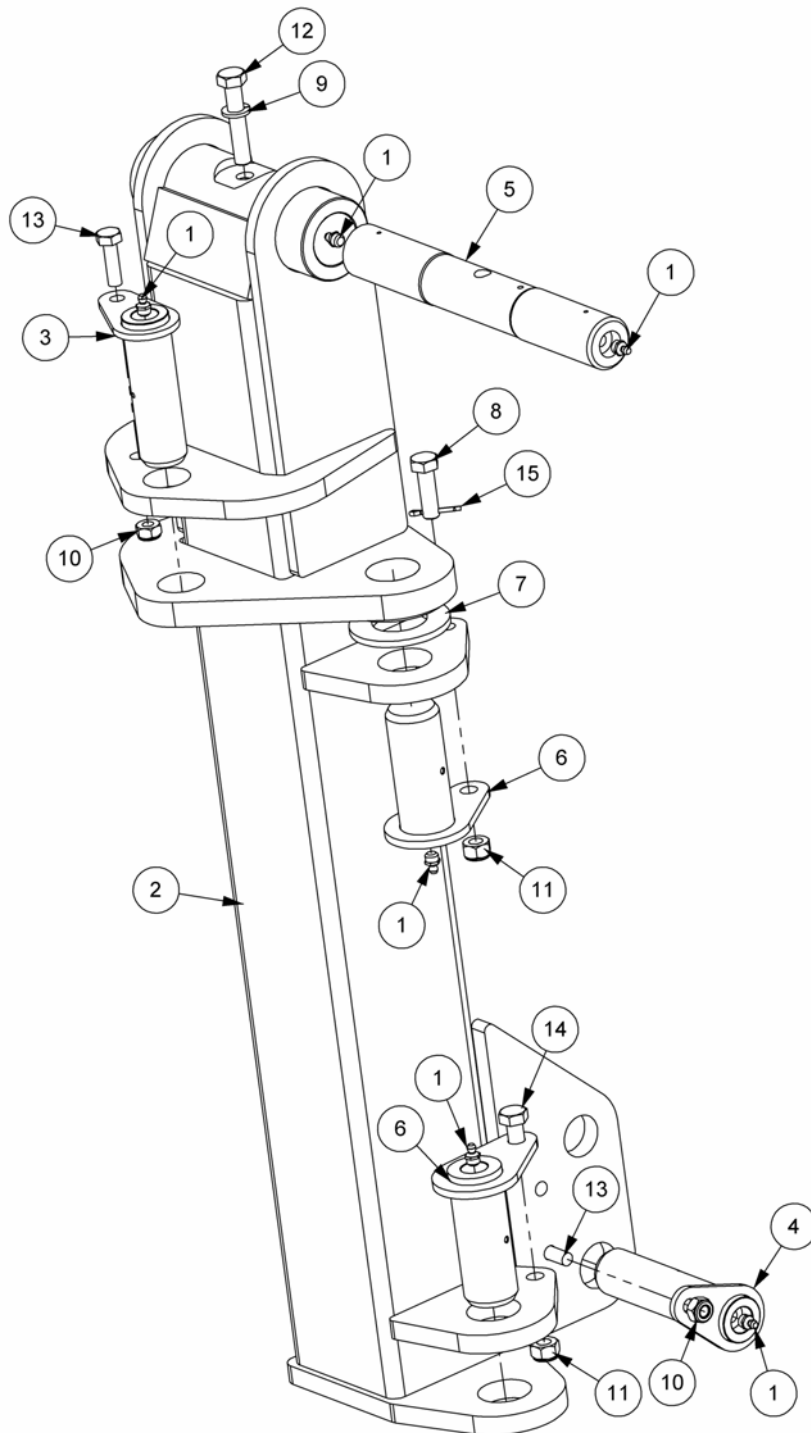
Module(s): 7150711

REF.	QTY.	PART No.	DESCRIPTION
		7150711	MAINFRAME ASSEMBLY - R/H Build
1	2	0431105	SPRING COTTER
2	2	0431217	LINCH PIN
3	1	0901121	GREASE NIPPLE - STRAIGHT
4	2	41559.01	LINKAGE PIN - CAT 2.
5	2	43332.01	LINKAGE SPACER -15mm
6	2	43332.02	LINKAGE SPACER -10mm
7	1	45193.10	MAINFRAME - R/H Build
8	1	45202.05	SLEW BASE PIN
9	6	45210.01	PLASTIC PLUG
10	1	45293.01	STAND LEG - L/H
11	1	45293.02	STAND LEG - R/H
12	2	45297.01	LEG PIN
13	2	7115208	GLACIER BUSH
14	1	7136330	DRIVE SHAFT ASSEMBLY
15	1	9113008	NUT
16	1	9163005	NYLOC NUT
17	1	9313075	SETSCREW
18	1	9313118	SETSCREW

PILLAR ASSEMBLY

Module(s): 7150715

McCONNEL

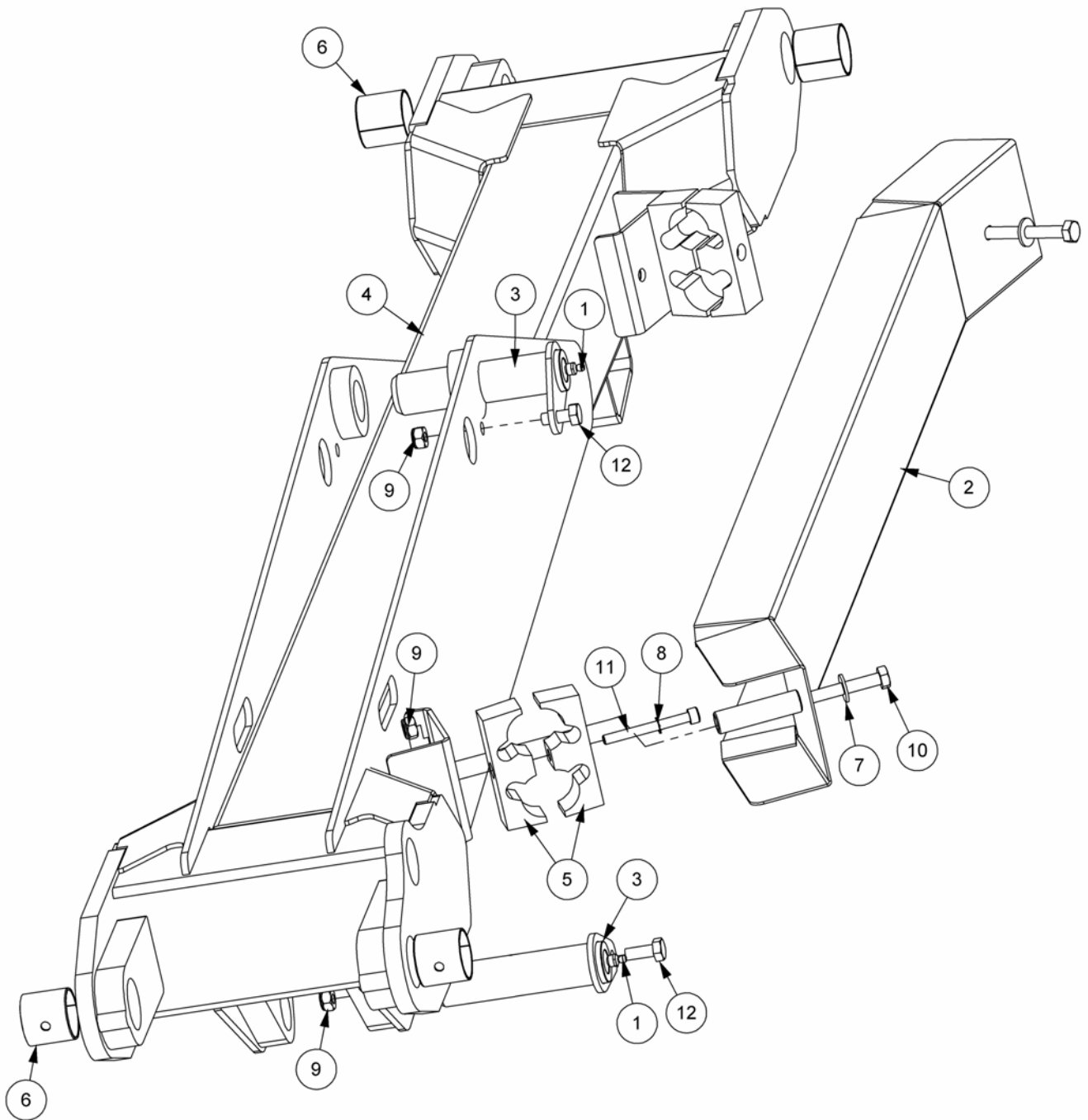


PILLAR ASSEMBLY**McCONNEL**

Module(s): 7150715

REF.	QTY.	PART No.	DESCRIPTION
		7150715	PILLAR ASSEMBLY
1	6	0901121	GREASE NIPPLE
2	1	45192.10	PILLAR - R/H Build
3	1	45202.04	PIN
4	1	45202.07	PIN
5	1	45264.03	MAIN PIVOT PIN
6	2	45271.01	SLEW PIVOT PIN
7	1	45298.01	THRUST WASHER
8	1	45416.01	SPECIAL SETCREW
9	1	9100206	SPRING WASHER
10	2	9163005	NYLOC NUT
11	2	9163006	NYLOC NUT
12	1	9213136	BOLT
13	2	9313075	SETSCREW
14	1	9313076	SETSCREW
15	1	9501255	SPLIT PIN

Module(s): 7494731, 7494732



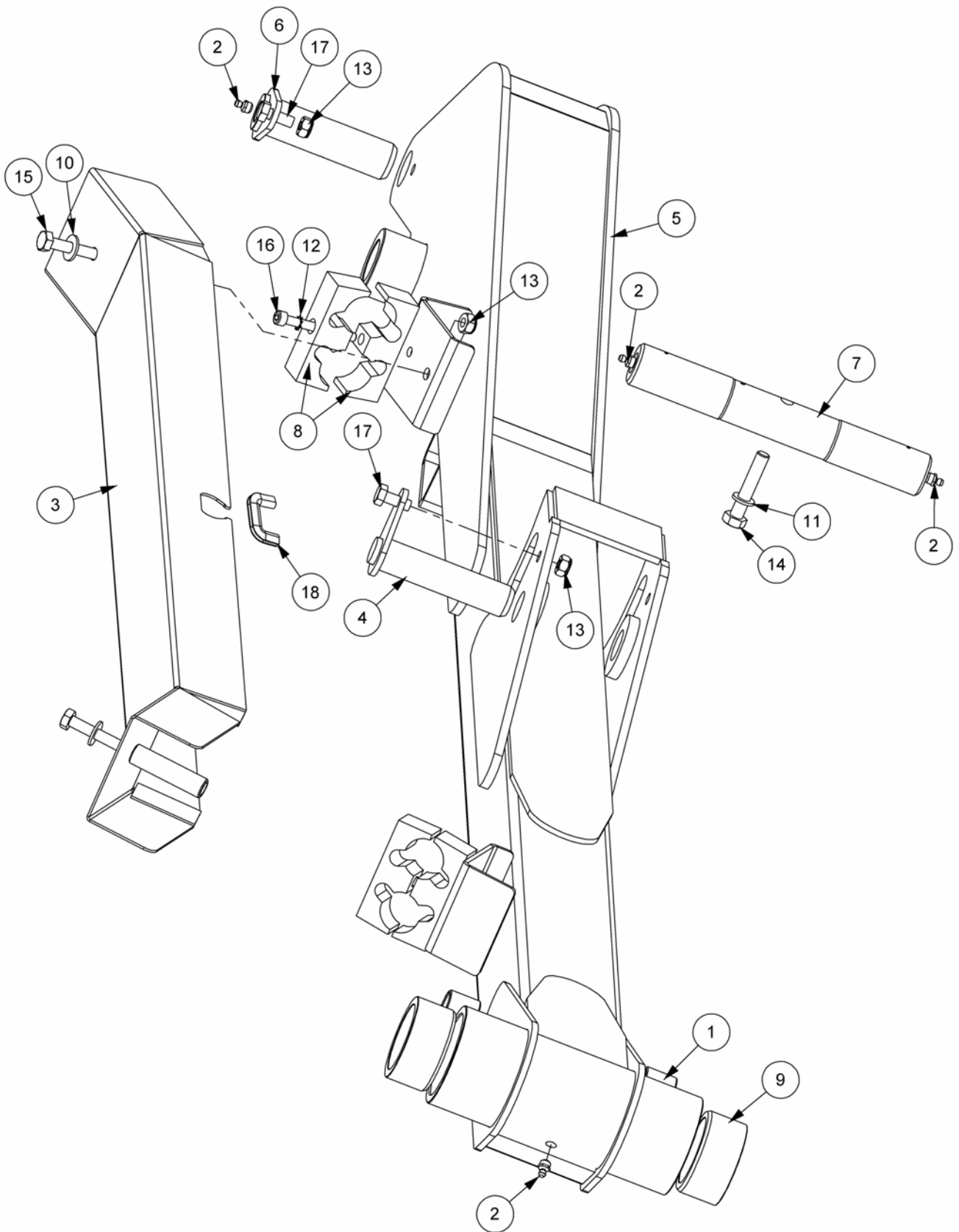
Module(s): 7494731, 7494732

REF.	QTY.	PART NO.	DESCRIPTION
		7494731	MAIN ARM ASSEMBLY - PA50 ECO Mk2
		7494732	MAIN ARM ASSEMBLY - PA55 ECO Mk2
1	2	0901121	GREASE NIPPLE
2	1	22522.01	HOSE GUARD - PA50 ECO Mk2
	1	22522.02	HOSE GUARD - PA55 ECO Mk2
3	2	45202.06	PIN
4	1	45318.04	MAIN ARM - PA50 ECO Mk2
	1	45318.05	MAIN ARM - PA55 ECO Mk2
5	4	45630.01	HOSE CLAMP
6	4	7115208	BUSH
7	2	9100105	FLAT WASHER
8	2	9100404	SHAKEPROOF WASHER
9	4	9163005	NYLOC NUT
10	2	9213205	BOLT
11	2	9243154	CAPSCREW
12	2	9313055	SETSCREW

DIPPER ARM ASSEMBLIES – Standard Models

McCONEL

Module(s): 7494733, 7494734



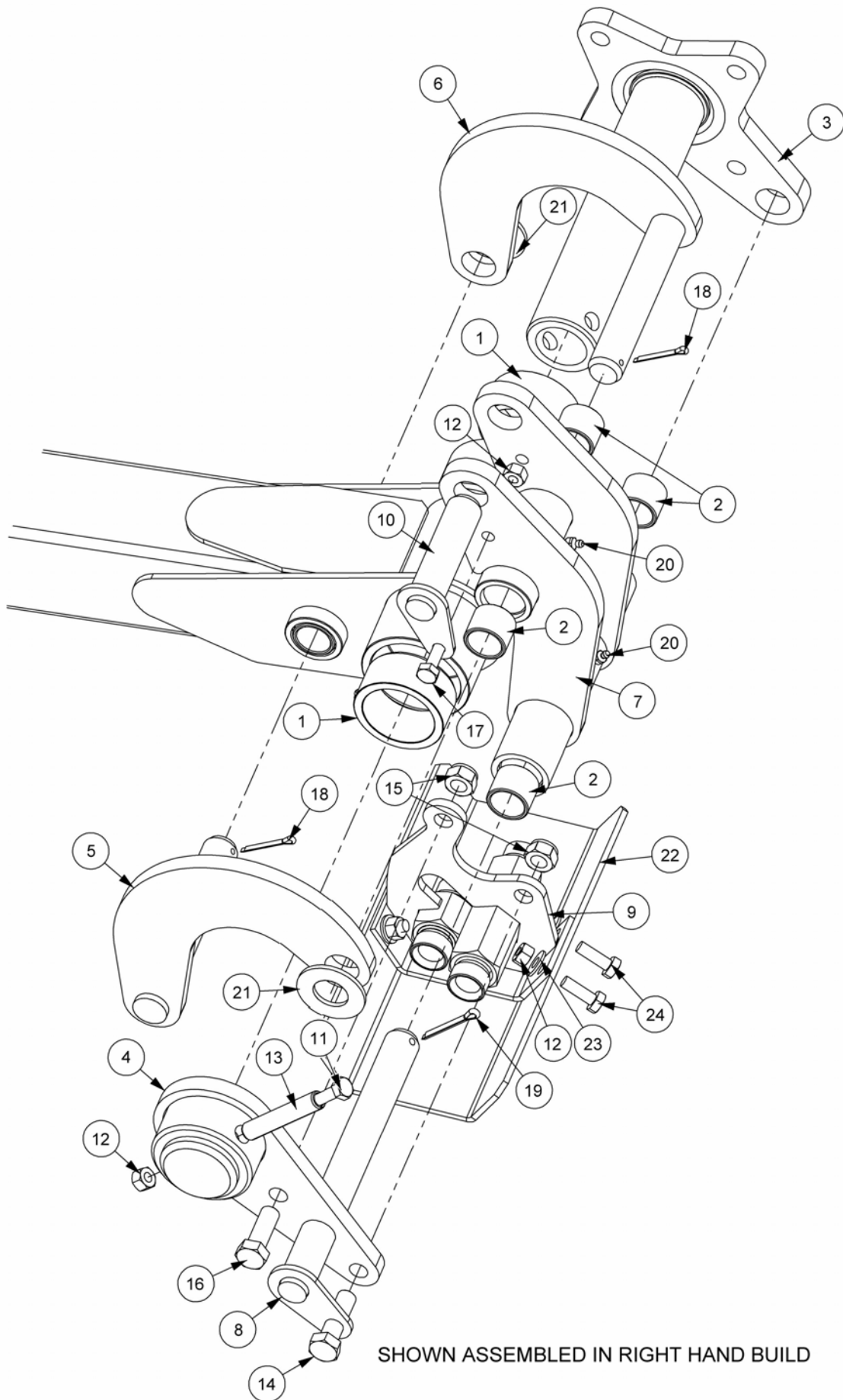
Module(s): 7494733, 7494734

REF.	QTY.	PART No.	DESCRIPTION
		7494733	DIPPER ARM ASSEMBLY - PA50 ECO Mk2
		7494734	DIPPER ARM ASSEMBLY - PA55 ECO Mk2
1	2	08.297.04	BUSH
2	5	0901121	GREASE NIPPLE
3	1	22522.03	HOSE GUARD - PA50 ECO Mk2
	1	22522.04	HOSE GUARD - PA55 ECO Mk2
4	1	42684.07	PIN
5	1	45063.13	DIPPER ARM - PA50 ECO Mk2
	1	45063.14	DIPPER ARM - PA50 ECO Mk2
6	1	45202.01	PIN
7	1	45264.03	MAIN PIVOT PIN
8	4	45630.01	HOSE CLAMP
9	2	7136035	PLASTIC BUSH
10	2	9100105	FLAT WASHER
11	1	9100206	SPRING WASHER
12	2	9100404	SHAKEPROOF WASHER
13	4	9163005	NYLOC NUT
14	1	9213136	BOLT
15	2	9213205	BOLT
16	2	9243154	CAPSCREW
17	2	9313055	SETSCREW
18	1	03.231.01	EDGING STRIP

HEAD ANGLING MECHANISM

Module(s): 7170700

McCONEL



SHOWN ASSEMBLED IN RIGHT HAND BUILD

HEAD ANGLING MECHANISM**McCONNEL**

Module(s): 7170700

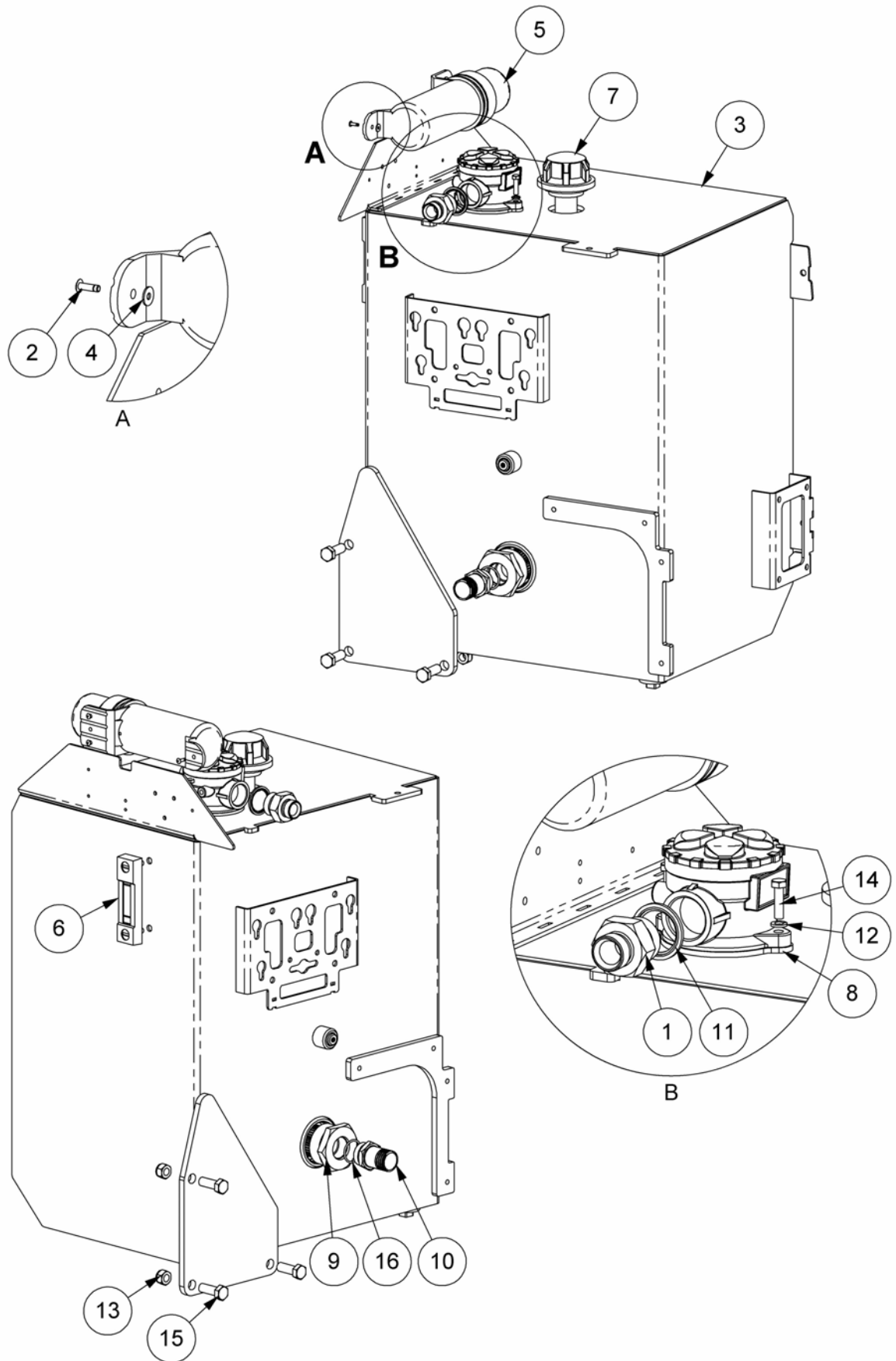
REF.	QTY.	PART No.	DESCRIPTION
		7170700	HEAD ANGLING MECHANISM
1	2	7136035	PLASTIC BUSH
2	4	08.297.04	BUSH
3	1	42649.01	PIVOT TUBE
4	1	42648.01	JAW PLATE
5	1	42646.03	RADIUS ARM - TYPE 1
6	1	42646.04	RADIUS ARM - TYPE 2
7	1	42647.02	SLAVE LINK
8	1	42684.01	PIN
9	1	43055.08	HOSE BRACKET (BSP)
10	1	42684.05	PIN
11	1	9213205	BOLT
12	6	9143005	SELF-LOCKING NUT
13	1	0423556	SPRING DOWEL
14	1	9200023	BOLT
15	2	9100028	SELF-LOCKING NUT
16	1	9200028	BOLT
17	1	9313075	SETSCREW
18	2	9501406	SPLIT PIN
19	1	9501507	SPLIT PIN
20	2	0901121	GREASE NIPPLE
21	2	05.281.18	FLAT WASHER
22	1	7198333	HOSE TRAY
23	4	9100105	FLAT WASHER
24	4	9313065	SETSCREW

NOTE: Components are identical for both L/H & R/H machine - builds differ only in the assembled orientation of the components.

HYDRAULIC TANK ASSEMBLY

Module(s): L/H Build 7150704 (*illustrated*), R/H Build 7150705

McCONEL



HYDRAULIC TANK ASSEMBLY

McCONNEL

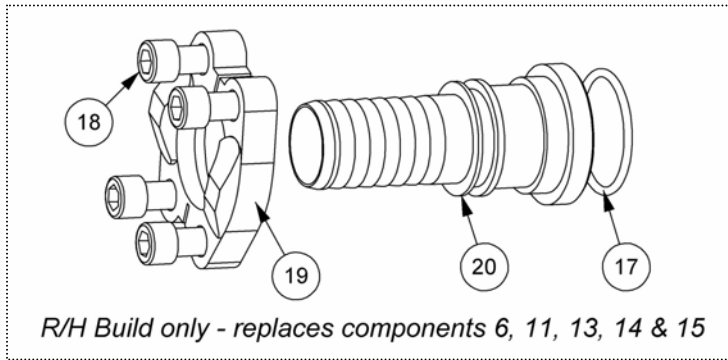
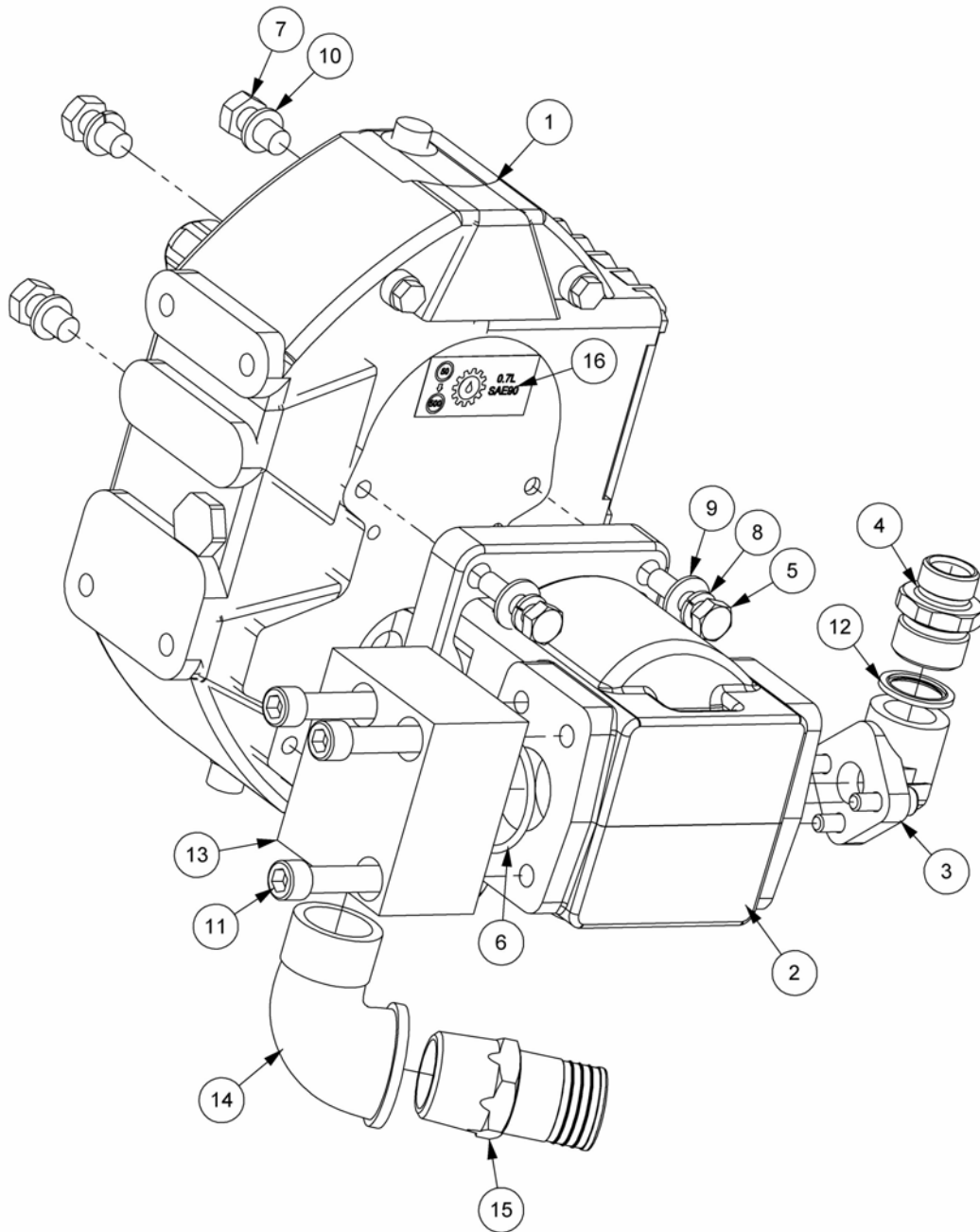
Module(s): L/H Build 7150704 (*illustrated*), R/H Build 7150705

REF.	QTY.	PART No.	DESCRIPTION
		7150704	HYDRAULIC TANK ASSEMBLY - L/H Build
		7150705	HYDRAULIC TANK ASSEMBLY - R/H Build
1	1	05.131.01	ADAPTOR
2	3	21612.02	POP RIVET
3	1	22470.03	TANK - L/H Build
	1	22470.04	TANK - R/H Build
4	3	22530.01	RIVET WASHER
5	1	46505.01	LITERATURE HOLDER
6	1	8401048	LEVEL GAUGE
7	1	8401050	BREATHER
8	1	8401088	FILTER ASSEMBLY - <i>comprising of:</i>
	1	8401089	FILTER ELEMENT (25 Micron)
	1	8401092	FILTER LID SPRING
	1	8401093	FILTER HOUSING SEAL
	1	8700235	O RING
	1	8700092	O RING
	1	212.013.04	FILLER CAP
9	1	8401097	SUCTION STRAINER
10	1	8581260	ADAPTOR
11	1	8650109	BONDED SEAL
12	2	9100204	SPRING WASHER
13	3	9163007	NYLOC NUT
14	2	9313064	SETSCREW
15	3	9313097	SETSCREW
16	1	8700784	O RING

PUMP & GEARBOX ASSEMBLY – SI Models

McCONEL

Module(s): L/H Build 7451762 (illustrated), R/H Build 7451763



R/H Build only - replaces components 6, 11, 13, 14 & 15

Module(s): L/H Build 7451762 (*illustrated*), R/H Build 7451763

REF.	QTY.	PART No.	DESCRIPTION
		7451762	SI PUMP & GEARBOX ASSEMBLY - L/H Build
		7451763	SI PUMP & GEARBOX ASSEMBLY - R/H Build
1	1	21931.01	CAST IRON G/BOX 1:4.25 13T SPLINE
2	1	8201686	PUMP (SI)
3	1	8005052	PRESSURE CONNECTION KIT
4	1	8002086	ADAPTOR
5	4	9313085	SETSCREW
6	1	8600304	O RING
7	4	9313056	SETSCREW
8	4	9100205	SPRING WASHER
9	4	9100105	FLAT WASHER
10	4	9100206	SPRING WASHER
11	3	9243126	CAPSCREW
12	1	8650106	BONDED SEAL
13	1	42142.02	BLOCK - SUCTION TAPER
14	1	8581261	ADAPTOR
15	1	8581367	ADAPTOR
16	1	1290092	GEARBOX DECAL

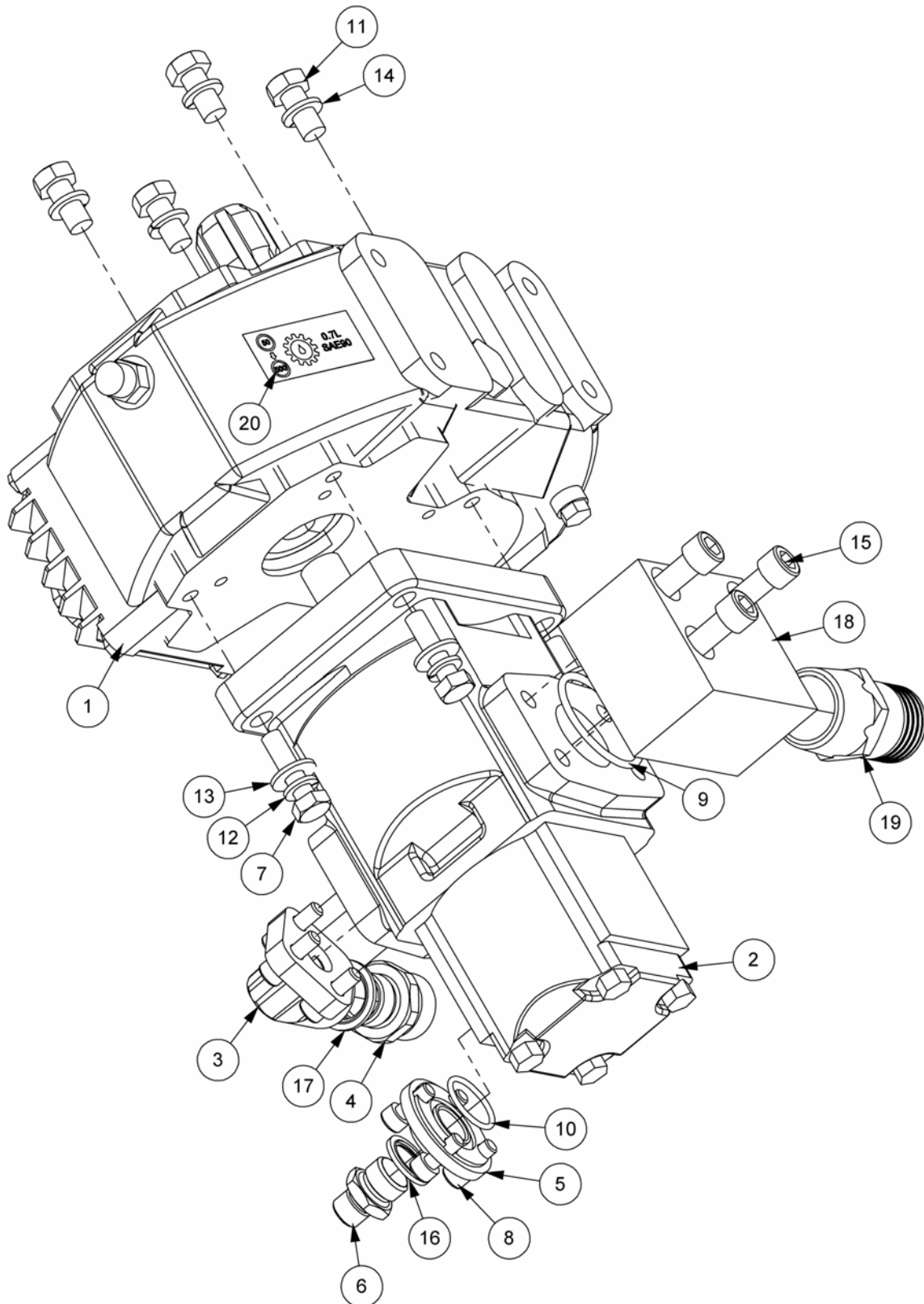
For R/H build models the following components replace items 6, 11, 13, 14 & 15 above:

17	1	8600303	O RING
18	4	9343066	CAPSCREW
19	1	41.294.01	SPLIT FLANGE PAIR
20	1	41.294.03	ADAPTOR FLANGE

PUMP & GEARBOX ASSEMBLY – TI Models (BSP)

Module(s): L/H Build 7153738 (illustrated), R/H Build 7153739

McCONEL

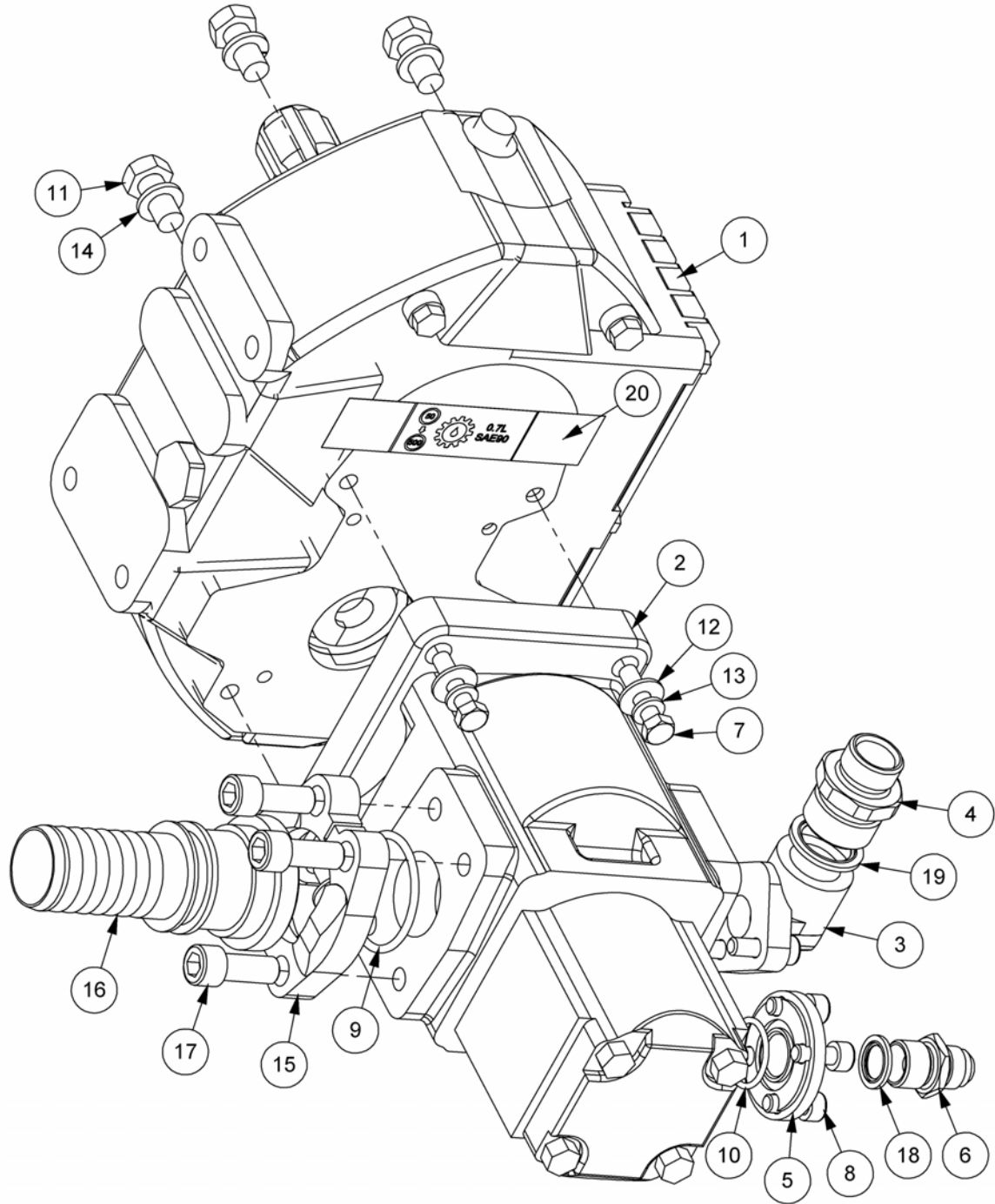


PUMP & GEARBOX ASSEMBLY – TI Models (BSP)**McCONNEL**Module(s): L/H Build 7153738 (*illustrated*), R/H Build 7153739

REF.	QTY.	PART No.	DESCRIPTION
		7153738	TI PUMP & GEARBOX ASSEMBLY - L/H Build
		7153739	TI PUMP & GEARBOX ASSEMBLY - R/H Build
1	1	21931.01	CAST IRON GEARBOX 1:4.25 13T SPLINE
2	1	8201700	PUMP TI
3	1	8005052	PRESSURE CONNECTION KIT
4	1	8002086	ADAPTOR
5	1	42029.01	PORT PLATE
6	1	6000112	ADAPTOR
7	4	9313085	SETSCREW
8	4	9300147	CAPSCREW
9	1	8600304	O RING
10	1	8600405	O RING
11	4	9313056	SETSCREW
12	4	9100205	SPRING WASHER
13	4	9100105	FLAT WASHER
14	4	9100206	SPRING WASHER
15	3	9243126	CAPSCREW
16	1	8650104	BONDED SEAL
17	1	8650106	BONDED SEAL
18	1	42142.02	BLOCK - SUCTION TAPER
19	1	8581367	ADAPTOR
20	1	1290092	GEARBOX DECAL

NOTE:

L/H & R/H builds contain identical components and differ only in their assembled orientation



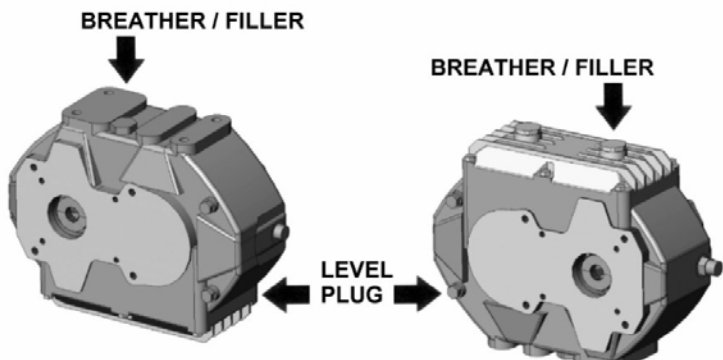
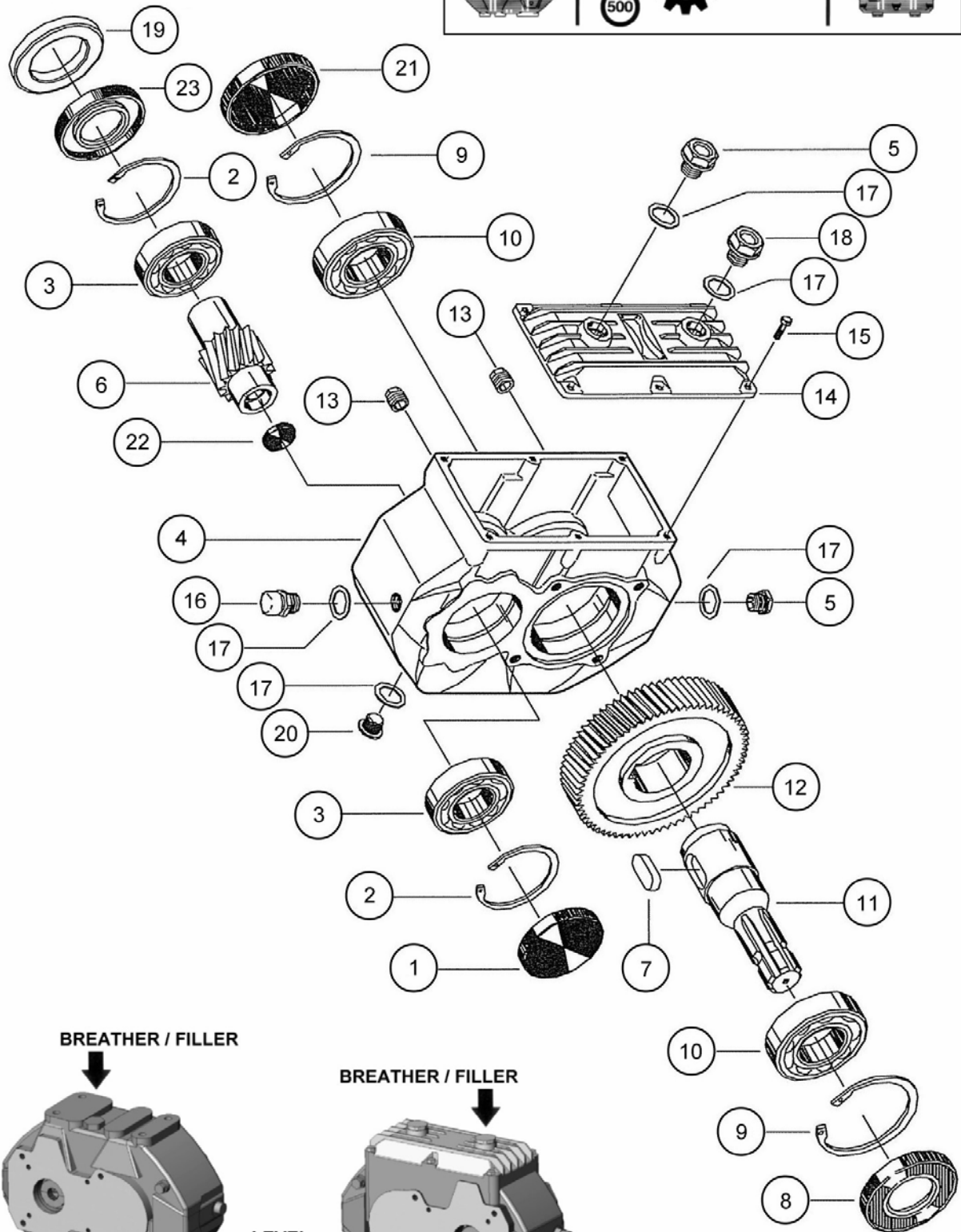
Module(s): R/H Build 7451814

REF.	QTY.	PART No.	DESCRIPTION
		7451814	PUMP & GEARBOX (JIC) HP - R/H Build
1	1	21931.01	CAST IRON GEARBOX 1:4.25 13T SPLINE
2	1	8201700	TI PUMP (IRON)
3	1	8005052	PRESSURE CONNECTION KIT
4	1	8002086	ADAPTOR
5	1	42029.01	PORT PLATE
6	1	8120003	ADAPTOR (JIC)
7	4	9313074	SETSCREW
8	4	9300147	CAPSCREW
9	1	8600303	O RING
10	1	8600405	O RING
11	4	9313056	SETSCREW
12	4	9100104	FLAT WASHER
13	4	9100204	SPRING WASHER
14	4	9100206	SPRING WASHER
15	1	41.294.01	SPLIT FLANGE (PAIR)
16	1	41.294.03	ADAPTOR FLANGE (LP)
17	4	9343066	CAPSCREW
18	1	8650103	BONDED SEAL
19	1	8650106	BONDED SEAL
20	1	1290092	GEARBOX DECAL

GEARBOX ASSEMBLY (Ratio1:4.25)

McCONEL

Module(s): 21931.01



NOTE: Plug positions are dependent on gearbox orientation

Module(s): 21931.01

REF.	QTY.	PART No.	DESCRIPTION
		21931.01	GEARBOX ASSEMBLY (Cast Iron)
		Specification:	Ratio 1:4.25 with 13 tooth spline
1	1	8013530	CAP
2	2	8013529	INTERNAL CIRCLIP
3	2	8013528	BEARING
4	1	8013585	GEARBOX CASTING
5	2	8013533	DRAIN PLUG
6	1	8013575	SHAFT
7	1	8013586	DRIVESHAFT KEY
8	2	8013526	SHAFT SEAL
9	2	8013525	INTERNAL CIRCLIP
10	1	8013524	BEARING
11	1	8013522	INPUT SHAFT
12	1	8013587	PRIMARY GEAR
13	2	8013534	LEVEL PLUG
14	1	8013589	GEARBOX COVER
15	6	9313033	SCREW
16	1	8013590	OIL PLUG
17	5	8013591	SEALING WASHER
18	1	8013592	OIL PLUG
19	1	8013576	RING
20	1	8013593	OIL PLUG
21	1	8013527	CAP
22	1	8013594	OIL PLUG
23	1	8699264	GEARBOX SEAL

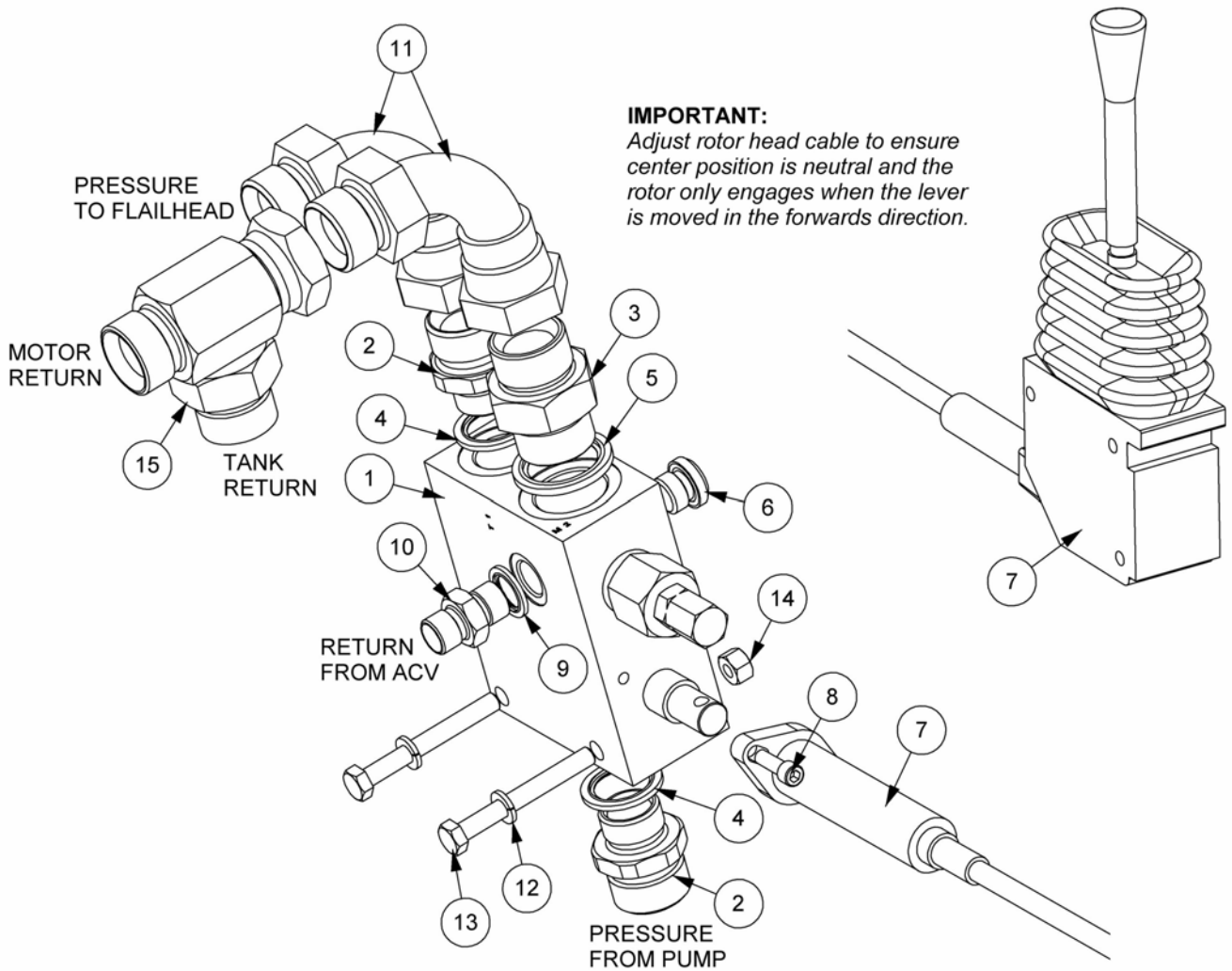
Module(s):

This page is intentionally blank

CABLE ROTOR CONTROL VALVE ASSEMBLY

McCONEL

Module(s): R/H Build 7494741

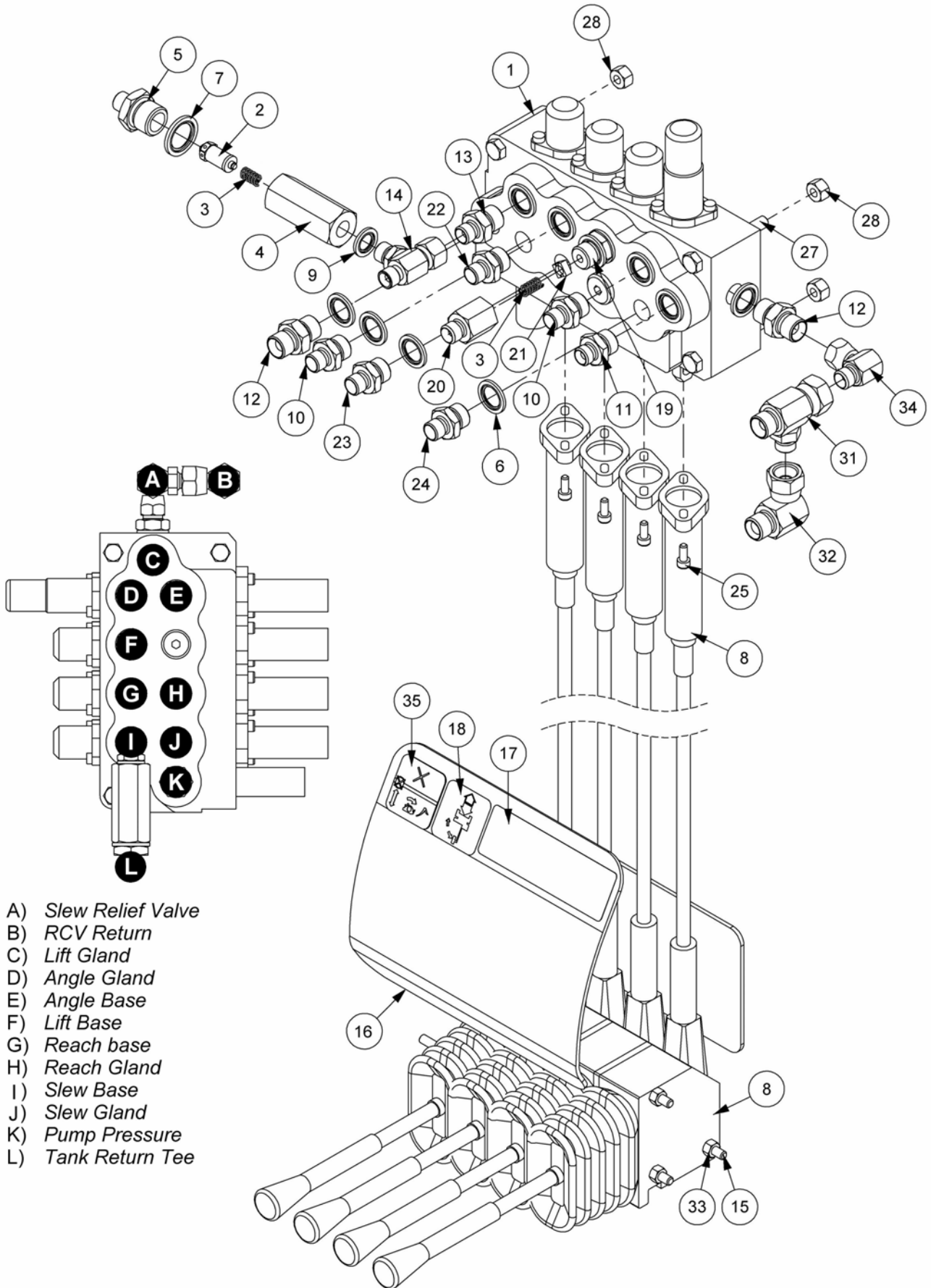


REF.	QTY.	PART No.	DESCRIPTION
		7494741	CABLE ROTOR CONTROL VALVE
1	1	06.284.01	RELIEF / DIVERTER ASSEMBLY
2	2	8002086	ADAPTOR
3	1	05.434.01	ADAPTOR
4	2	8650106	BONDED SEAL
5	1	8650108	BONDED SEAL
6	1	8581436	PLUG - SOFT SEAL
7	1	8017069	CONTROL HEAD & CABLE (3.0M)
8	2	0342061	CAPSCREW
9	1	8650103	BONDED SEAL
10	1	6000113	ADAPTOR
11	2	8581264	ADAPTOR - SWEPT 90°
12	2	9100204	SPRING WASHER
13	2	9213144	BOLT
14	2	9143004	SELF-LOCKING NUT
15	1	04.056.02	SWIVEL TEE

CABLE CONTROL VALVE – SI & TI Models (BSP)

McCONEL

Module(s): R/H Build 7494737



- A) Slew Relief Valve
- B) RCV Return
- C) Lift Gland
- D) Angle Gland
- E) Angle Base
- F) Lift Base
- G) Reach base
- H) Reach Gland
- I) Slew Base
- J) Slew Gland
- K) Pump Pressure
- L) Tank Return Tee

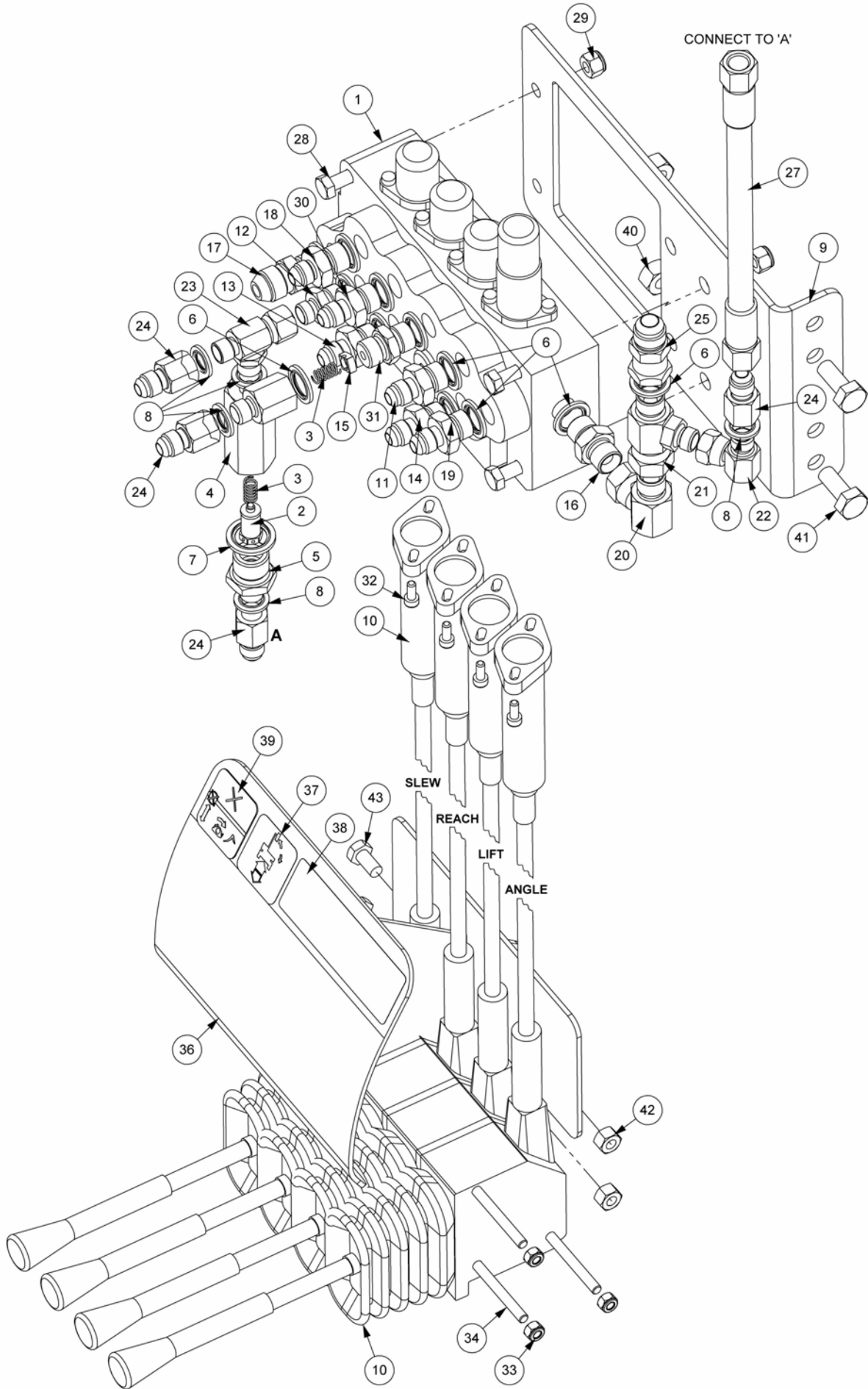
Module(s): R/H Build 7494737

REF.	QTY.	PART No.	DESCRIPTION
		7494737	CABLE CONTROL VALVE ASSEMBLY
1	1	8130466	CONTROL VALVE - 4 SPOOL
2	1	8130124	RELIEF VALVE - 140BAR
3	2	8116011	SPRING
4	1	8130156	RELIEF VALVE HOUSING
5	1	8130083	ADAPTOR RELIEF BODY
6	11	8650103	BONDED SEAL
7	1	8650104	BONDED SEAL
8	4	8017058	CONTROL HEAD & CABLE (2.5M)
9	1	8650102	BONDED SEAL
10	2	8130066	RESTRICTOR - 1.15 M
11	1	8130067	RESTRICTOR ADAPTER
12	2	6000113	ADAPTOR
13	1	8581115	ADAPTOR
14	1	8581254	ADAPTOR TEE
15	3	04.282.71	STUD
16	1	7650307	ARMREST - 5 LEVER
17	1	1290368	DECAL - CONTROL
18	1	1290541	DECAL - SLEW
19	1	8581209	ADAPTER
20	1	8581214	RESTRICTOR ADAPTER
21	1	8123044	RESTRICTOR DISC - 1.8MM
22	1	8130047	RESTRICTOR - 1.8 B
23	1	8130046	RESTRICTOR - 1.5 A
24	1	8130048	RESTRICTOR - 1.3 C
25	8	9343022	CAPSCREW
26	1	10.001.08	HOSE - 1/4" BSP FS/FS x 400mm
27	3	9213134	BOLT
28	3	9143004	SELF-LOCKING NUT
29	2	9313034	SETSCREW
30	2	9113004	NUT
31	1	04.056.16	ADAPTOR TEE
32	1	8581117	ADAPTOR ELBOW
33	6	9143003	SELF-LOCKING NUT
34	1	8581190	ADAPTOR ELBOW - 90°
35	1	1290726	DECAL - ROTOR CONTROL

CABLE CONTROL VALVE – SI & TI Models (JIC)

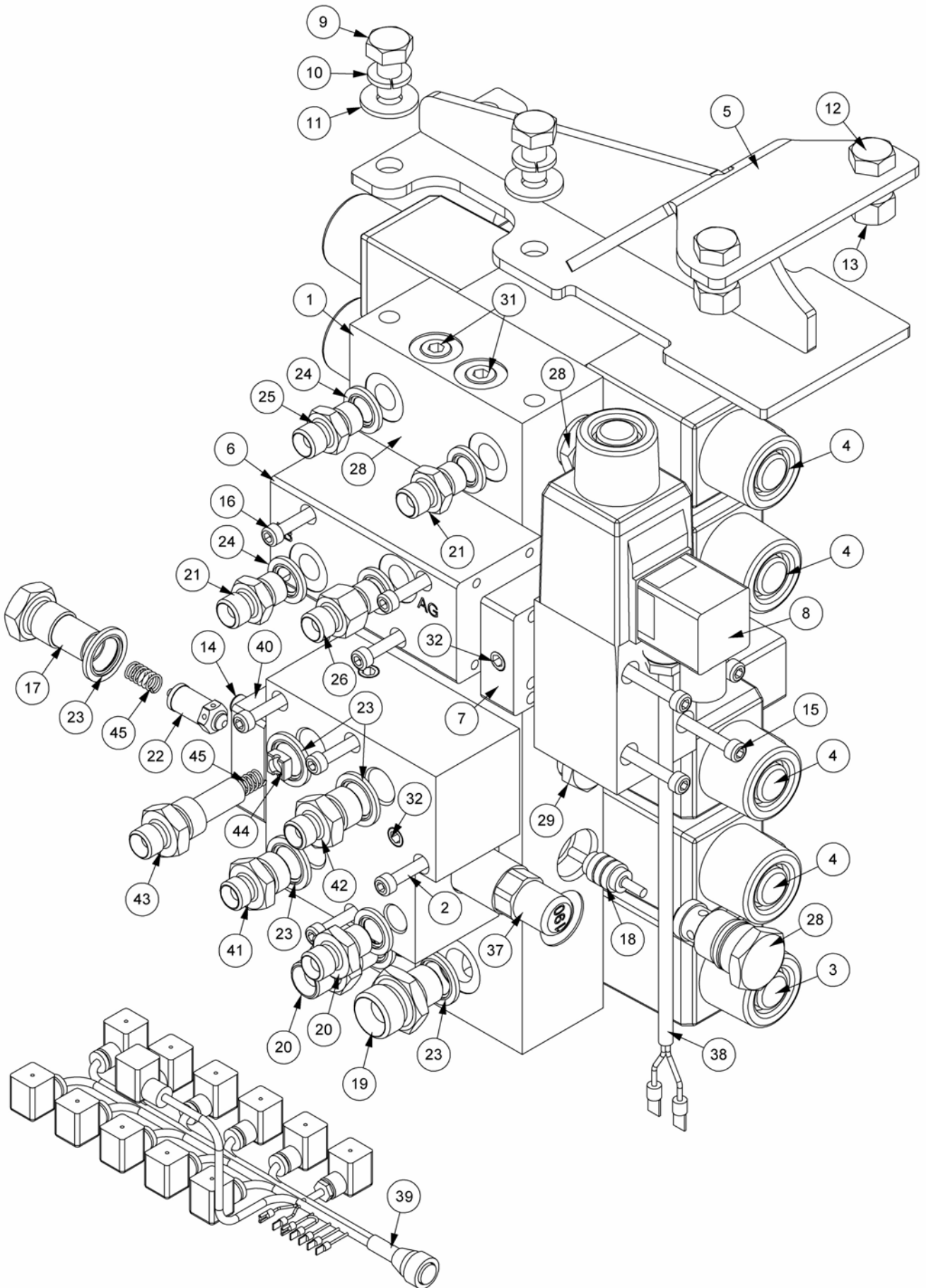
Module(s): R/H Build 7494724

McCONEL



Module(s): R/H Build 7494724

REF.	QTY.	PART No.	DESCRIPTION
		7494724	CABLE CONTROL VALVE ASSEMBLY (JIC)
1	1	8130466	4 SPOOL CONTROL VALVE
2	1	8130124	RELIEF VALVE - 140BAR
3	2	8116011	SPRING
4	1	8130156	RELIEF VALVE HOUSING
5	1	8130083	ADAPTOR RELIEF BODY
6	12	8650103	BONDED SEAL
7	1	8650104	BONDED SEAL
8	5	8650102	BONDED SEAL
9	1	45274.03	VALVE BRACKET - RH Build
10	4	8017058	CONTROL HEAD & CABLE (2.5m)
11	1	8124121	ADAPTOR RESTRICTOR (JIC)
12	1	8130068	ADAPTOR RESTRICTOR - 0.9 'T'
13	1	8124125	ADAPTOR RESTRICTOR (JIC)
14	1	8124120	ADAPTOR RESTRICTOR (JIC)
15	1	8123044	RESTRICTOR DISC - 1.8 YELLOW
16	1	6000113	ADAPTOR
17	1	8581170	ADAPTOR (JIC)
18	1	08.955.06	ADAPTOR (JIC)
19	1	8124124	ADAPTOR RESTRICTOR (JIC)
20	1	8581117	ADAPTOR ELBOW
21	1	04.056.16	ADAPTOR TEE
22	1	8581190	ADAPTOR ELBOW - 90°
23	1	8581254	ADAPTOR TEE
24	4	8581341	ADAPTOR (JIC)
25	1	8581221	ADAPTOR (JIC)
26	1	8581214	ADAPTOR RESTRICTOR
27	1	41721.08	HOSE -1/4" HOSE 9/16" JIC FS/FS x 400mm
28	3	9213124	BOLT
29	3	9163004	NYLOC NUT
30	1	8124118	ADAPTOR RESTRICTOR (JIC)
31	1	8581209	ADAPTER
32	8	9343022	CAPSCREW
33	6	9163003	NYLOC NUT
34	3	04.282.71	STUD
35	4	T7835	BLACK KNOB & LENS
36	1	7650307	CABLE ARMREST - 5 LEVER
37	1	1290541	DECAL - SLEW
38	1	1290368	DECAL - CONTROL
39	1	1290726	DECAL - ROTOR CONTROL
40	2	9143005	SELF-LOCKING NUT
41	2	9313055	SETSCREW
42	2	9113004	NUT
43	2	9313034	SETSCREW



Module(s): R/H Build 7494716

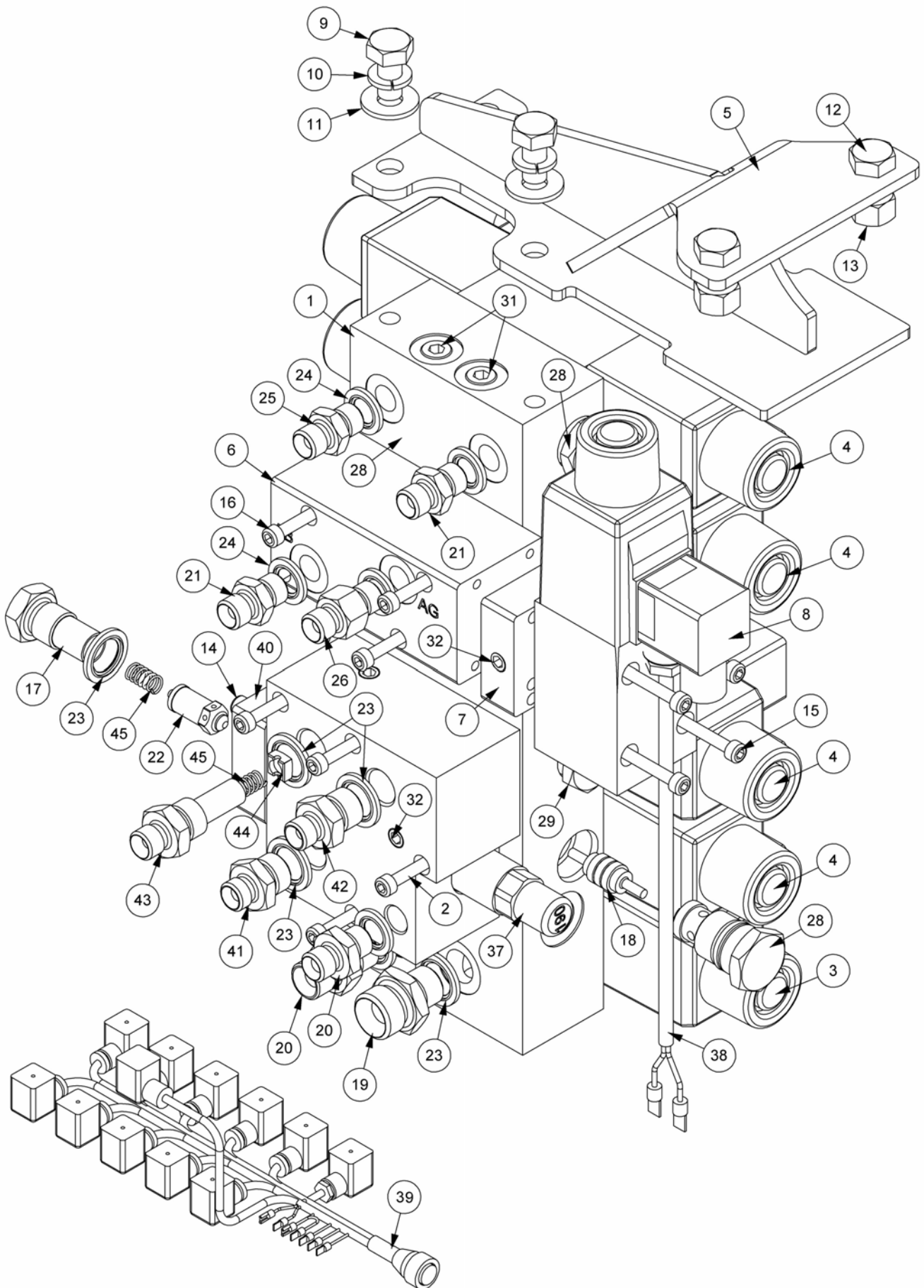
REF.	QTY.	PART No.	DESCRIPTION
		7494716	ELECTRIC CONTROL VALVE ASSEMBLY
1	1	8132268	BLOCK - MANIFOLD ASSEMBLY
2	1	8130348	BLOCK - SLEW CIRCUIT
3	1	8130456	CUT OFF SOLENOID VALVE
4	4	8130629	DOUBLE SOLENOID VALVE
5	1	45277.03	BRACKET
6	1	8130323	FLOAT VALVE BLOCK
7	1	8126280	BRIDGING PLATE
8	1	8130457	SINGLE SOLENOID VALVE
9	2	9313045	SETSCREW
10	2	9100205	SPRING WASHER
11	2	9100105	FLAT WASHER
12	2	9313055	SETSCREW
13	2	9143005	SELF-LOCKING NUT
14	24	9243062	CAPSCREW
15	4	9243102	CAPSCREW
16	9	9243082	CAPSCREW
17	1	8130032	RELIEF VALVE CAP
18	4	8130087	ACTUATOR
19	1	6000112	ADAPTOR
20	1	6000113	ADAPTOR
21	2	8130038	ADAPTOR RESTRICTOR - 1.4 'L'
22	1	8130092	RELIEF VALVE - 190BAR
23	6	8650103	BONDED SEAL
24	5	8650102	BONDED SEAL
25	1	8130104	ADAPTOR RESTRICTOR - 1.8 'G'
26	1	8130037	ADAPTOR RESTRICTOR - 1.15 'S'
27	1	8581169	ADAPTOR
28	7	8130090	CHECK VALVE ASSEMBLY c/o:
	1	8130025	CHECK VALVE CAP
	1	8114045	SPRING
	1	8130089	SPRING GUIDE
	1	0905509	STEEL BALL
	1	8700644	O RING
	1	8130088	CHECK VALVE SEAT
	1	8709644	BACK-UP RING
29	1	8130078	CHECK VALVE CAP
30	3	8582043	TAPER PLUG
31	2	8582042	TAPER PLUG
32	5	8582041	TAPER PLUG
33	17	8700511	O RING
34	2	8700525	O RING
35	1	8700644	O RING
36	1	8709644	AE RING

Cont'd...

ELECTRIC CONTROL VALVE – TI Models (Cont'd)

Module(s): R/H Build 7494716

McCONEL



ELECTRIC CONTROL VALVE – TI Models (Cont'd)**McCONNEL**

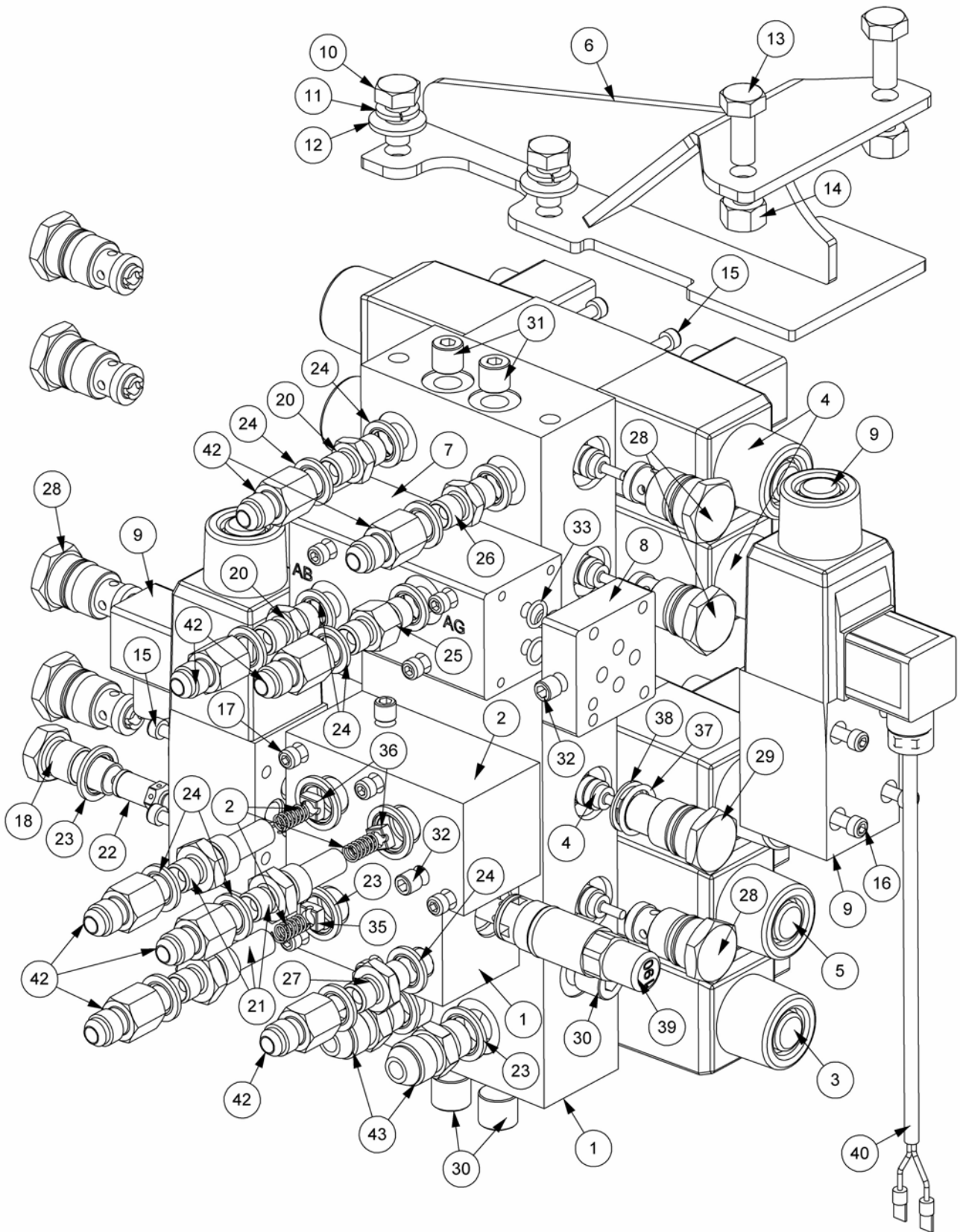
Module(s): R/H Build 7494716

REF.	QTY.	PART No.	DESCRIPTION
37	1	G3812542	RELIEF VALVE - 190BAR
38	1	8402338	LOOM - ANGLE FLOAT
39	1	41844.01	LOOM - 19 CORE
40	1	8130139	BLANKING PLATE
41	1	8130066	ADAPTOR RESTRICTOR - 1.15 'M'
42	1	8581115	ADAPTOR
43	1	8581210	SPECIAL ADAPTOR
44	1	8123044	RESTRICTOR DISC - 1.8 YELLOW
45	2	8116011	SPRING

XTC ELECTRIC CONTROL VALVE – TI Models (JIC)

Module(s): R/H Build 7494730

McCONEL



Module(s): R/H Build 7494730

REF.	QTY.	PART No.	DESCRIPTION
		7494730	XTC CONTROL VALVE ASSEMBLY
1	1	8132268	BLOCK - MANIFOLD
2	1	8130348	BLOCK - SLEW CIRCUIT
3	1	8130456	CUT OFF SOLENOID VALVE
4	3	41784.48	DOUBLE SOLENOID PROP. VALVE
5	1	8130629	DOUBLE SOLENOID VALVE
6	1	45277.03	BRACKET
7	1	8130323	FLOAT VALVE BLOCK
8	1	8126280	BRIDGING PLATE
9	2	8130457	SINGLE SOLENOID VALVE
10	2	9313045	SETSCREW
11	2	9100205	SPRING WASHER
12	2	9100105	FLAT WASHER
13	2	9313055	SETSCREW
14	2	9143005	SELF-LOCKING NUT
15	24	9243062	CAPSCREW
16	4	9243102	CAPSCREW
17	9	9243082	CAPSCREW
18	1	8130032	RELIEF VALVE CAP
19	4	8130087	ACTUATOR
20	2	8130038	ADAPTOR RESTRICTOR - 1.4 'L'
21	3	8581210	SPECIAL ADAPTOR
22	1	8130092	RELIEF VALVE - 190BAR
23	6	8650103	BONDED SEAL
24	13	8650102	BONDED SEAL
25	1	8130037	ADAPTOR RESTRICTOR - 1.15 'S'
26	1	8130105	ADAPTOR RESTRICTOR - 1.6 'H'
27	1	8581169	ADAPTOR
28	7	8130090	CHECK VALVE ASSEMBLY
29	1	8130078	CHECK VALVE CAP
30	3	8582043	TAPER PLUG
31	2	8582042	TAPER PLUG
32	5	8582041	TAPER PLUG
33	13	8700511	O RING
34	3	8116011	SPRING
35	1	8123041	RESTRICTOR DISC - 1.15 RED
36	2	8123043	RESTRICTOR DISC - 1.6 GREEN
37	1	8700644	O RING
38	1	8709644	AE RING
39	1	G3812542	RELIEF VALVE - 190BAR
40	1	8402338	LOOM - ANGLE FLOAT
41	1	41844.01	LOOM - 19 CORE (<i>not illustrated</i>)
42	8	8581341	ADAPTOR (JIC)
43	2	8581170	ADAPTOR (JIC)

MULTI LEVER ELECTRIC SWITCHBOX CONTROLS



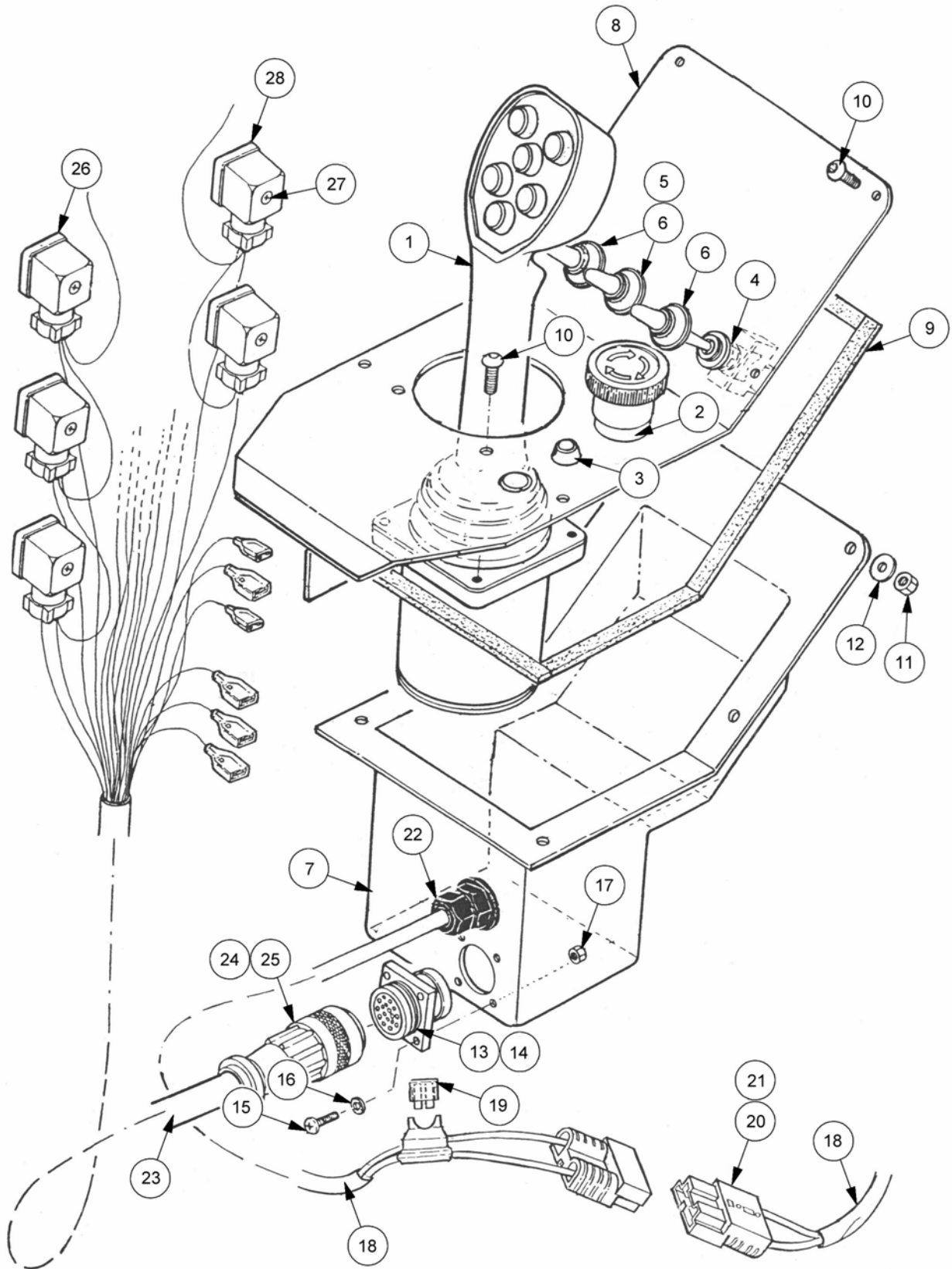
Module(s): 8402901 (Cable Rotor Control), 8402902 (Electric Rotor Control)

REF.	QTY.	PART NO.	DESCRIPTION
		8402901	SWITCHBOX & LOOM ASSEMBLY - Cable RCV
		8402902	SWITCHBOX & LOOM ASSEMBLY - Electric RCV
		41845.03	MULTI 5 LEVER SWITCHBOX - Cable RCV
		41845.04	MULTI 5 LEVER SWITCHBOX - Electric RCV
1	1	41845.32	BOX
2	1	41845.31	LID c/w SCREWS
3	1	41845.33	CIRCUIT BOARD LEVER SWITCH UNIT - <i>comprising of:</i>
4	5	8402133	SWITCH BODY/LEVER/CIRCUIT BOARD c/w
5	2	8402111	BAR
6	1	8402101	SPRING
7	2	9200006	SCREW - POSIDRIVE PANHEAD
8	2	8402280	PLAIN WASHER
9	2	9113000	NUT - PLATED
10	2	8402334	SPACER
11	1	8402051	BEZEL RING
12	1	8402022	LEVER GAITER
13	5	8402056	KNOB - BLACK
14	1	8402023	SWITCH - POWER ON/OFF
15	1	8402182	SWITCH - SLEW/AUTO RESET
16	1	41845.35	LOOM - SLEW/AUTO RESET SWITCH
17	1	8402197	SWITCH - FLOAT
18	1	41845.37	LOOM - FLOAT SWITCH
19	1	41845.41	L.E.D. AND LOOM
20	5	8402024	WEATHER GAITER
21	1	8402232	POWER LOOM - <i>including:</i>
22	1	43034.02	FUSE
23	2	8402230	CONTACTS HOUSING
24	4	8402229	CONTACTS
25	1	8402042	GLAND
26	1	8402186	SOCKET SHELL
27	19	8402192	PIN SOCKET
28	4	2800203	SCREW
29	1	41844.01	WIRING LOOM - <i>including:</i>
30	12	07.835.04	PLUG - INCLUDING SCREW & GASKET
31	1	07.835.03	SCREW
32	1	07.835.02	GASKET
33	1	8402345	MOUNTING BRACKET
34	4	2800243	SELF-TAPPING SCREW
35	1	8402193	SPECIAL TOOL - <i>not illustrated</i>

MONO LEVER ELECTRIC CONTROLS

Module(s): 8402905 (Cable Rotor Control), 8402906 (Electric Rotor Control)

McCONEL

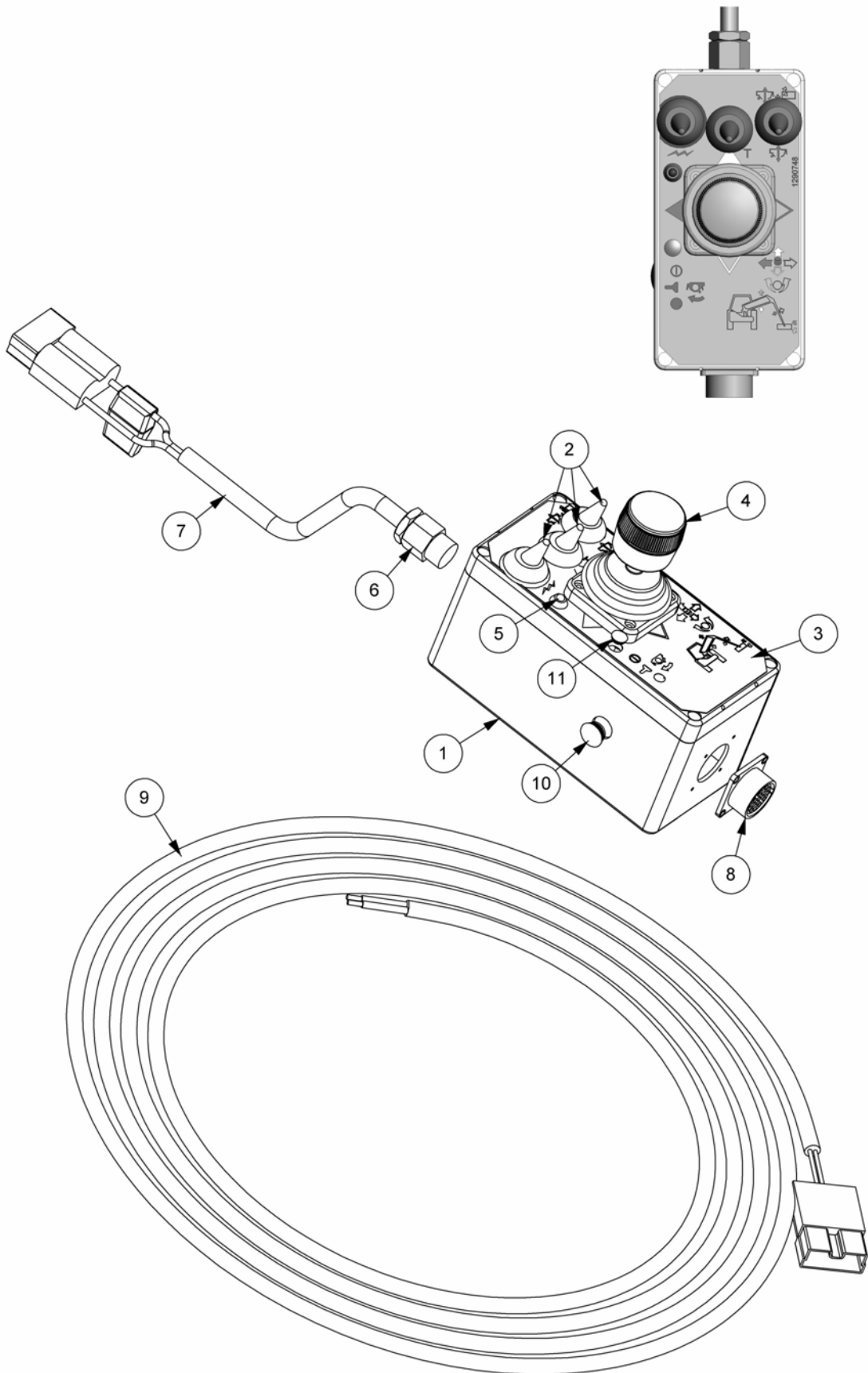


MONO LEVER ELECTRIC CONTROLS



Module(s): 8402905 (Cable Rotor Control), 8402906 (Electric Rotor Control)

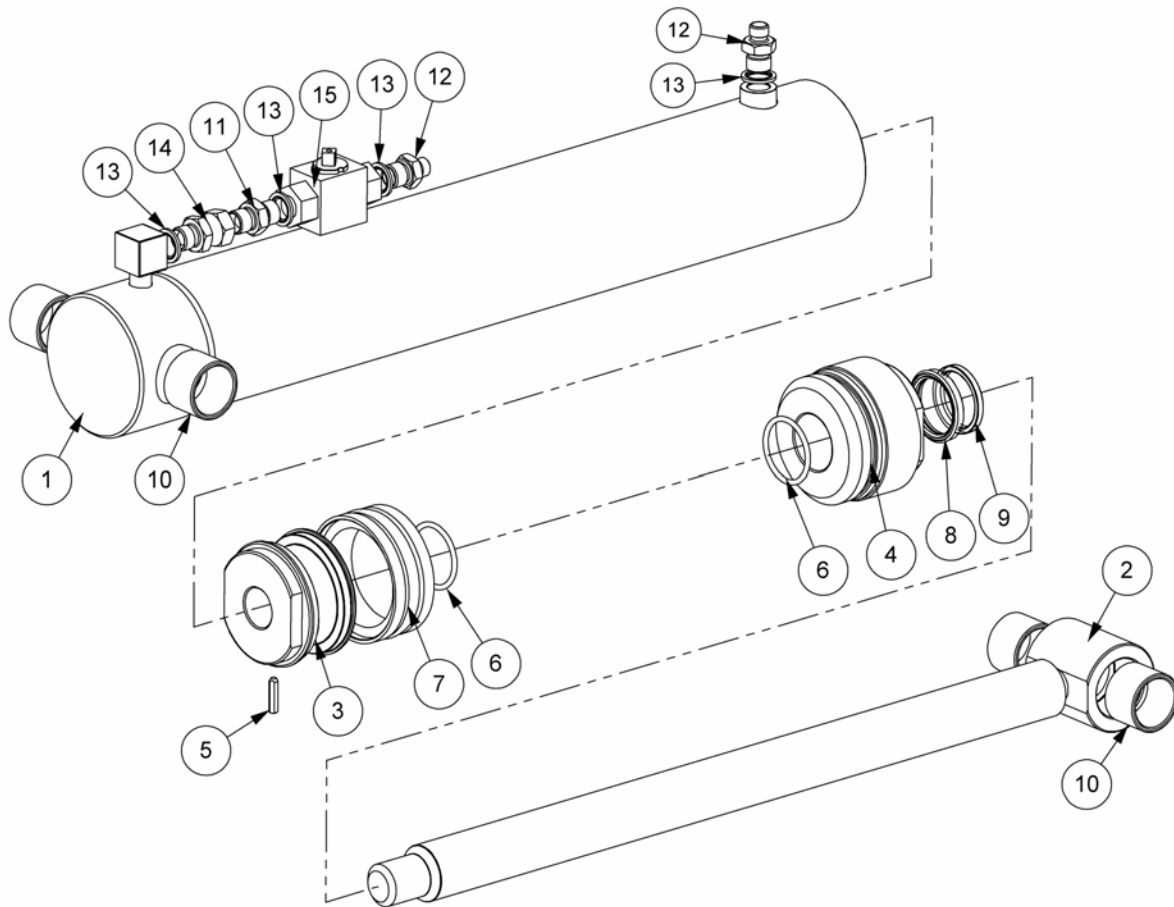
REF.	QTY.	PART NO.	DESCRIPTION
		8402905	MONOLEVER CONTROL UNIT - Cable RCV
		8402906	MONOLEVER CONTROL UNIT - Electric RCV
		41590.03	CONTROL ASSEMBLY - Cable RCV
		41590.05	CONTROL ASSEMBLY - Electric RCV
1	1	41590.32	JOYSTICK - <i>Including Circuit Board</i>
2	1	8402184	POWER ON / EMERGENCY STOP
3	1	8402174	L.E.D. MAIN POWER ON
4	1	8402182	SWITCH - SLEW / AUTO RESET
5	2	8402023	SWITCH - LIFT AND ANGLE FLOAT
6	3	8402024	WEATHER COVER
7	1	7550300	COVER POD
8	1	7550339	TOP PLATE
9	1	7290052	SEALING STRIP (<i>Cut to suit</i>)
10	10	9300125	SCREW - BUTTON HEAD
11	6	9143003	SELF LOCKING NUT
12	6	9100103	WASHER
13	1	8402189	SOCKET SHELL
14	14	8402192	FEMALE SOCKET PIN
15	4	9200007	SCREW - POSIDRIVE PANHEAD
16	4	9100400	EXTERNAL SERRATED WASHER
17	4	9100013	NUT - PLATED
18	1	8402232	POWER LOOM - <i>Including:</i>
19	1	43034.03	FUSE
20	2	8402230	CONTACT HOUSING
21	4	8402229	CONTACTS
22	1	8402042	GLAND
23	1	41844.01	WIRING LOOM - <i>Including:</i>
24	1	8402188	SHELL
25	1	8402190	CABLE CLAMP
26	12	07.835.04	PLUG - <i>Including:</i>
27	1	07.835.03	SCREW
28	1	07.835.02	GASKET
29	1	8402193	SPECIAL TOOL



Module(s): 8402401

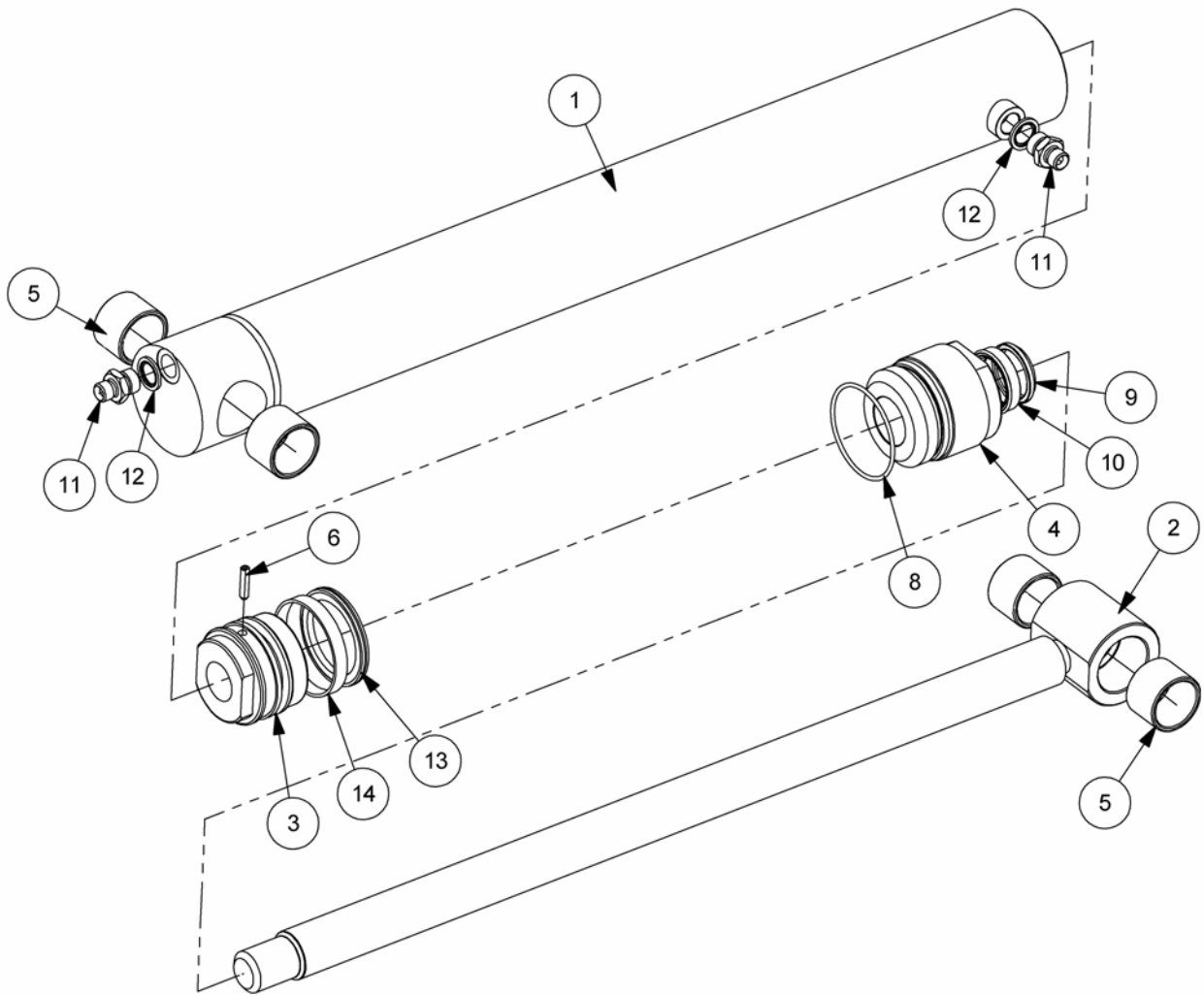
REF.	QTY.	PART No.	DESCRIPTION
		8402401	XTC PROPORTIONAL CONTROLS (3 Switch)
1	1	8402400	SWITCH BOX
2	3	8402024	SWITCH COVER
3	1	1290748	DECAL - XTC MINI CONTROL
4	1	8402246	JOYSTICK (3 AXES)
5	1	41845.41	LED
6	1	8402149	GLAND - PLASTIC
7	1	43022.47	CONNECTOR (2 x 30A FUSES)
8	1	8402189	PANEL MOUNTING SHELL
9	1	8402237	LOOM - POWER SUPPLY
10	1	41845.38	PLASTIC PLUG
11	1	41845.40	PLASTIC PLUG

Module(s): 45895.02 (BSP Build), 45895.10 (JIC Build)



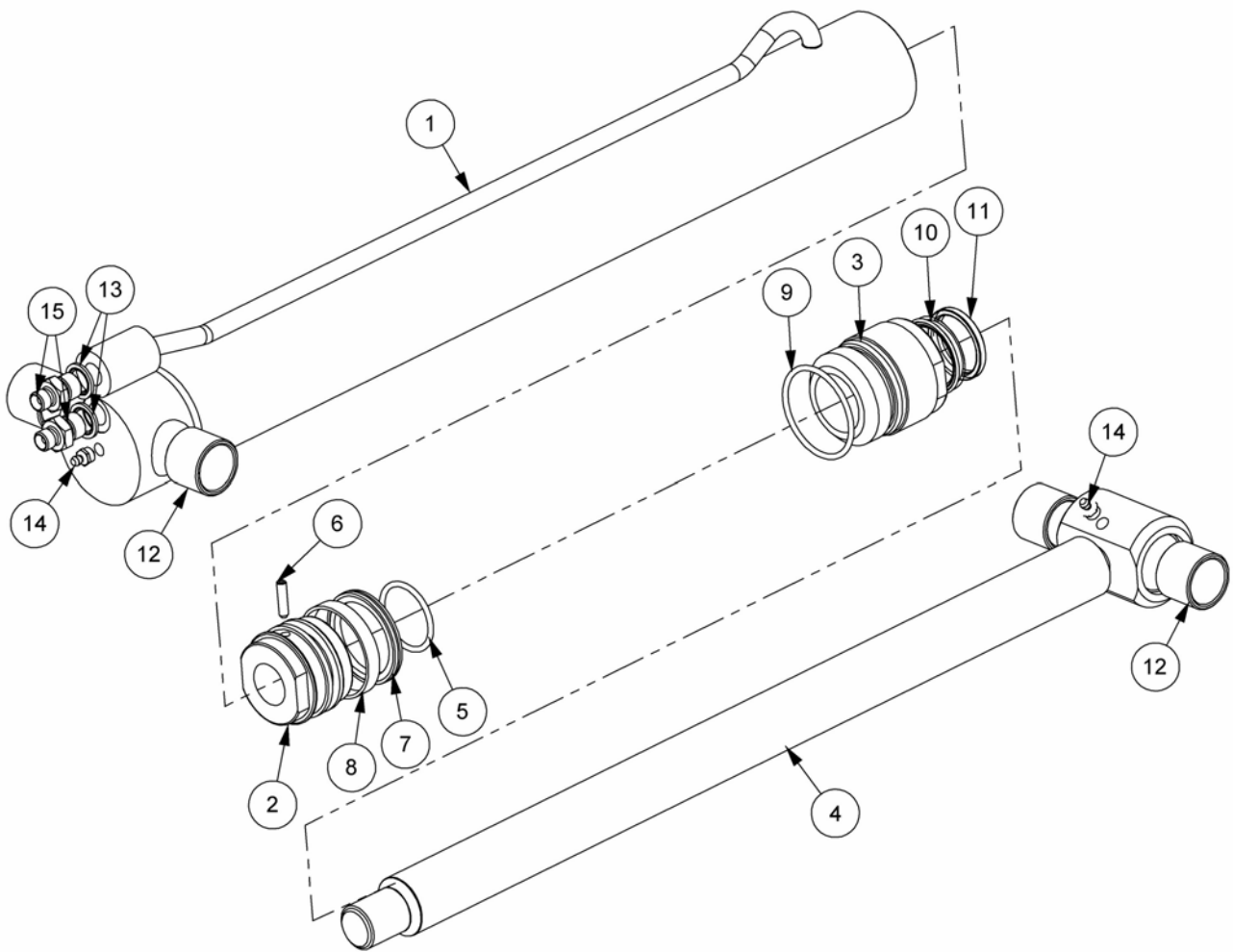
REF.	QTY.	PART No.	DESCRIPTION
		45895.02	LIFT RAM ASSEMBLY - BSP Build
		45895.10	LIFT RAM ASSEMBLY - JIC Build
1	1	45895.31	BARREL
2	1	45275.02	PISTON ROD
3	1	43315.31	PISTON
4	1	43315.32	GLAND HOUSING
5	1	42775.01	DOWEL
6	2	8600301	O RING
7	1	8638742	PISTON SEAL
8	1	8629225	GLAND SEAL
9	1	8629208	SCRAPER RING
10	5	08.297.05	BUSH
11	1	6000113	ADAPTOR
12	2	8581115	ADAPTOR - <i>BSP Build</i>
	2	08.955.06	ADAPTOR - <i>JIC Build</i>
13	4	8650103	BONDED SEAL
14	1	8581178	SWIVEL ADAPTOR
15	1	08.200.01	ISOLATING VALVE
		43315.01	SEAL KIT

Module(s): 45288.04 (BSP Build), 45288.09 (JIC Build)



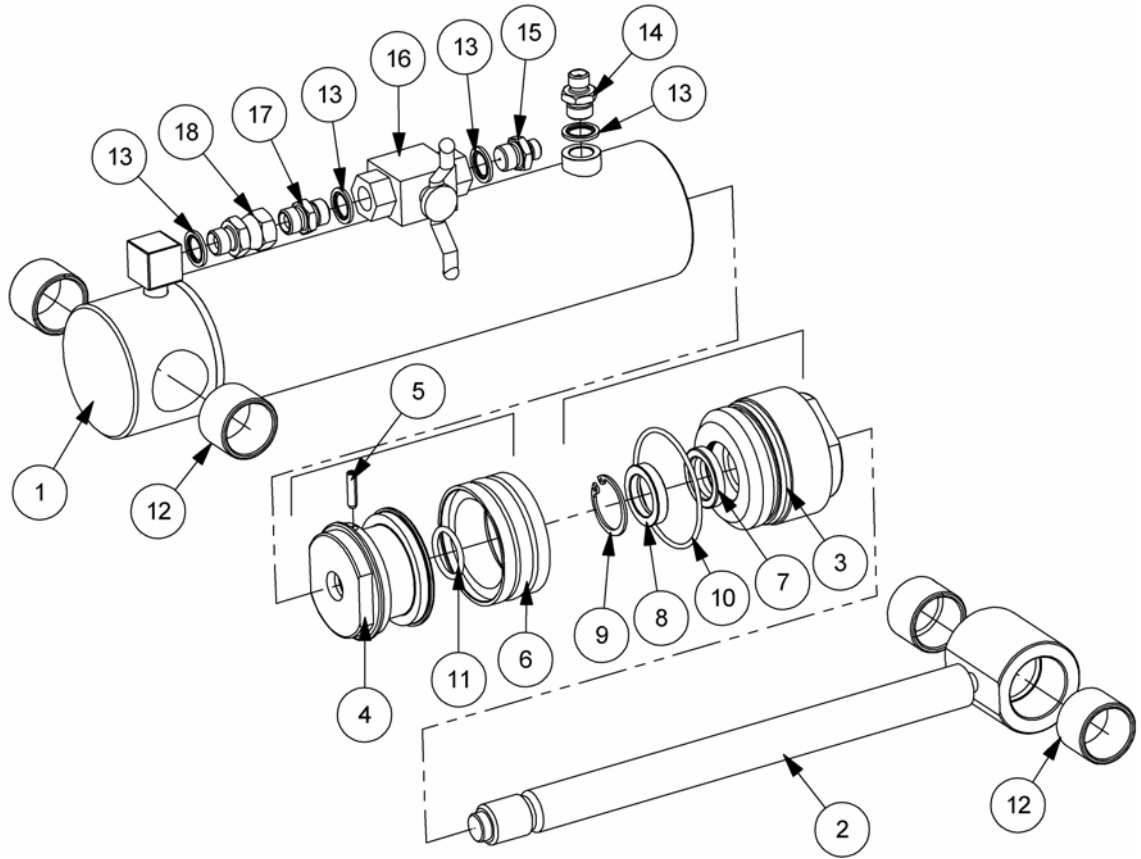
REF.	QTY.	PART NO.	DESCRIPTION
		45288.04	REACH RAM ASSEMBLY - BSP Build
		45288.09	REACH RAM ASSEMBLY - JIC Build
1	1	45273.04	BARREL
2	1	45440.01	ROD
3	1	45441.02	PISTON
4	1	45441.01	GLAND HOUSING
5	4	08.297.05	BUSH
6	1	42775.01	DOWEL
7	1	8600125	O RING
8	1	8600429	O RING
9	1	8629230	SCAPER RING
10	1	8629229	ROD SEAL
11	2	8581115	ADAPTOR - <i>BSP Build</i>
	2	08.955.06	ADAPTOR - <i>JIC Build</i>
12	2	8650103	BONDED SEAL
13	1	8629189	PISTON SEAL
14	1	8629190	GUIDE RING
		8699258	SEAL KIT

Module(s): 43317.07 (BSP Build), 43317.10 (JIC Build)



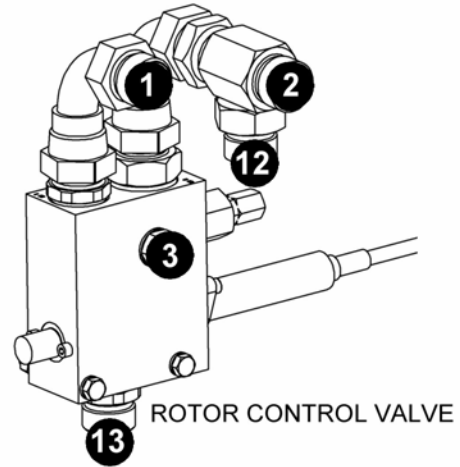
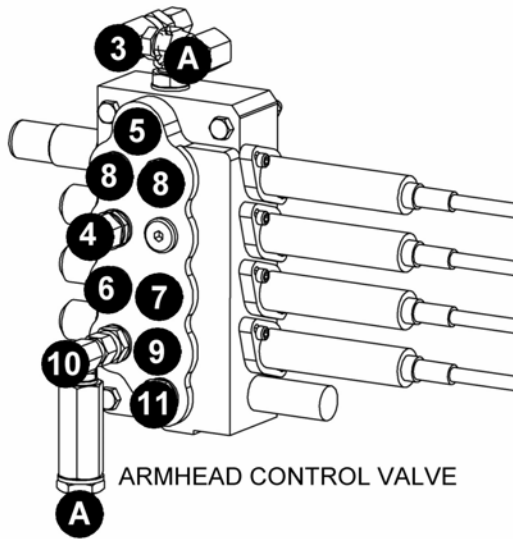
REF.	QTY.	PART No.	DESCRIPTION
		43317.07	ANGLING RAM ASSEMBLY - BSP Build
		43317.10	ANGLING RAM ASSEMBLY - JIC Build
1	1	43317.33	RAM BARREL
2	1	43317.31	PISTON
3	1	43317.32	GLAND HOUSING
4	1	43317.35	PISTON ROD
5	1	8600301	O RING
6	1	42775.01	DOWEL
7	1	8629156	PISTON SEAL
8	1	8629157	PISTON GUIDE RING
9	1	8600306	O RING
10	1	8629225	ROD GLAND SEAL
11	1	8629208	ROD SCRAPER RING
12	4	08.297.04	BUSH
13	2	8650103	BONDED SEAL
14	2	0901121	GREASER
15	2	8581115	ADAPTOR - <i>BSP Build</i>
	2	08.955.06	ADAPTOR - <i>JIC Build</i>
		43317.01	SEAL KIT

Module(s): 45288.05 (BSP Build), 45288.10 (JIC Build)



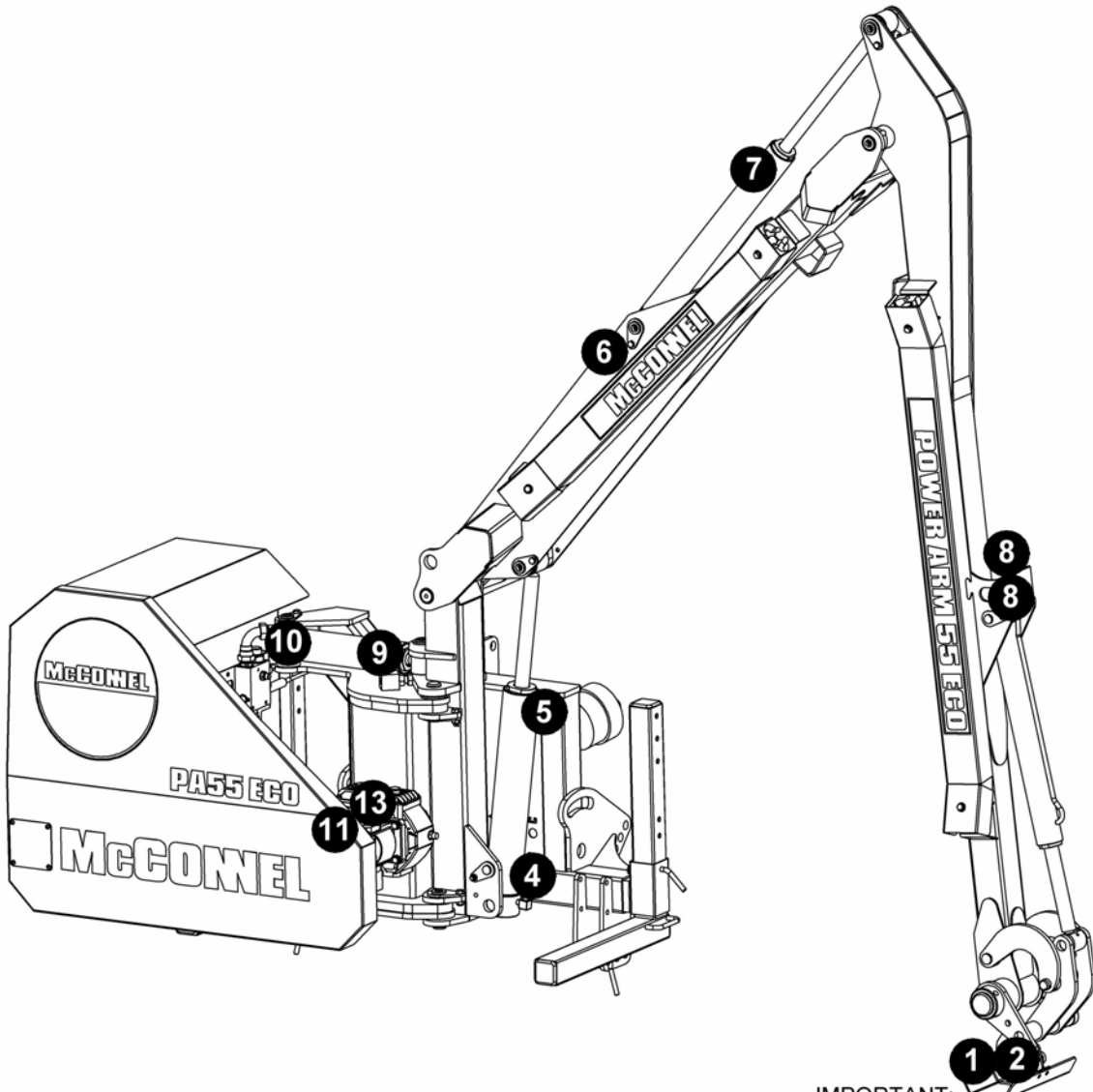
REF.	QTY.	PART NO.	DESCRIPTION
		45288.05	SLEW RAM ASSEMBLY - BSP Build
		45288.10	SLEW RAM ASSEMBLY - JIC Build
1	1	45273.05	BARREL
2	1	45275.01	PISTON ROD
3	1	45283.01	GLAND HOUSING
4	1	45276.01	PISTON
5	1	42775.01	DOWEL
6	1	8638740	PISTON SEAL
7	1	8629149	SCRAPER RING
8	1	8629148	GLAND SEAL
9	1	0416240	INTERNAL CIRCLIP
10	1	8700740	O RING
11	1	8600121	O RING
12	4	08.297.05	BUSH
13	4	8650103	BONDED
14	1	8581115	ADAPTOR - <i>BSP Build</i>
	1	08.955.06	ADAPTOR - <i>JIC Build</i>
15	1	8130066	ADAPTOR RESTRICTOR - <i>BSP Build</i>
	1	8124121	ADAPTOR RESTRICTOR - <i>JIC Build</i>
16	1	08.200.01	ISOLATING VALVE
17	1	6000113	ADAPTOR
18	1	8581178	SWIVEL ADAPTOR
		8699525	SEAL KIT

Module(s): 749472212



NOTE:
Points 'A' are interconnected
with hose Part No. 10.001.08

IMPORTANT:
Flail hoses must cross over at
Main Arm to Dipper pivot point



IMPORTANT:
Flail hoses must cross over
at Head Angling pivot point

Module(s): 749472212

REF.	QTY.	PART No.	DESCRIPTION
		749472212	PA55 ECO Mk2 HOSE KIT - Cable TI Models
1	1	10.012.66	HOSE - 1" BSP FS/F90 x 5600mm
2	1	10.012.65	HOSE - 1" BSP FS/F90 x 5500mm
3	1	10.004.12	HOSE - 3/8" BSP FS/F90 x 600mm
4	1	10.001.23	HOSE - 1/4" BSP FS/FS x 1300mm
5	1	10.002.23	HOSE - 1/4" BSP FS/F90 x 1300mm
6	1	10.001.31	HOSE - 1/4" BSP FS/FS x 2100mm
7	1	10.002.38	HOSE - 1/4" BSP FS/F90 x 2800mm
8	2	10.002.57	HOSE - 1/4" BSP FS/F90 x 4700mm
9	1	10.002.13	HOSE - 1/4" BSP ST/90 x 650mm
10	1	10.002.12	HOSE - 1/4" BSP FS/F90 x 600mm
11	1	10.004.08	HOSE - 3/8" BSP FS/F90 x 400mm
12	1	10.012.16	HOSE - 1" BSP FS/F90 x 800mm
13	2	10.012.15	HOSE - 1" BSP FS/F90 x 750mm

1 RCV to Flail (Pressure)

2 Flail to Tank (Return)

3 ACV to RCV (Return)

4 Lift Base

5 Lift Gland

6 Reach Base

7 Reach Gland

8 Angle Base/Gland

9 Slew Gland

10 Slew Base

11 Pump to ACV (Pressure)

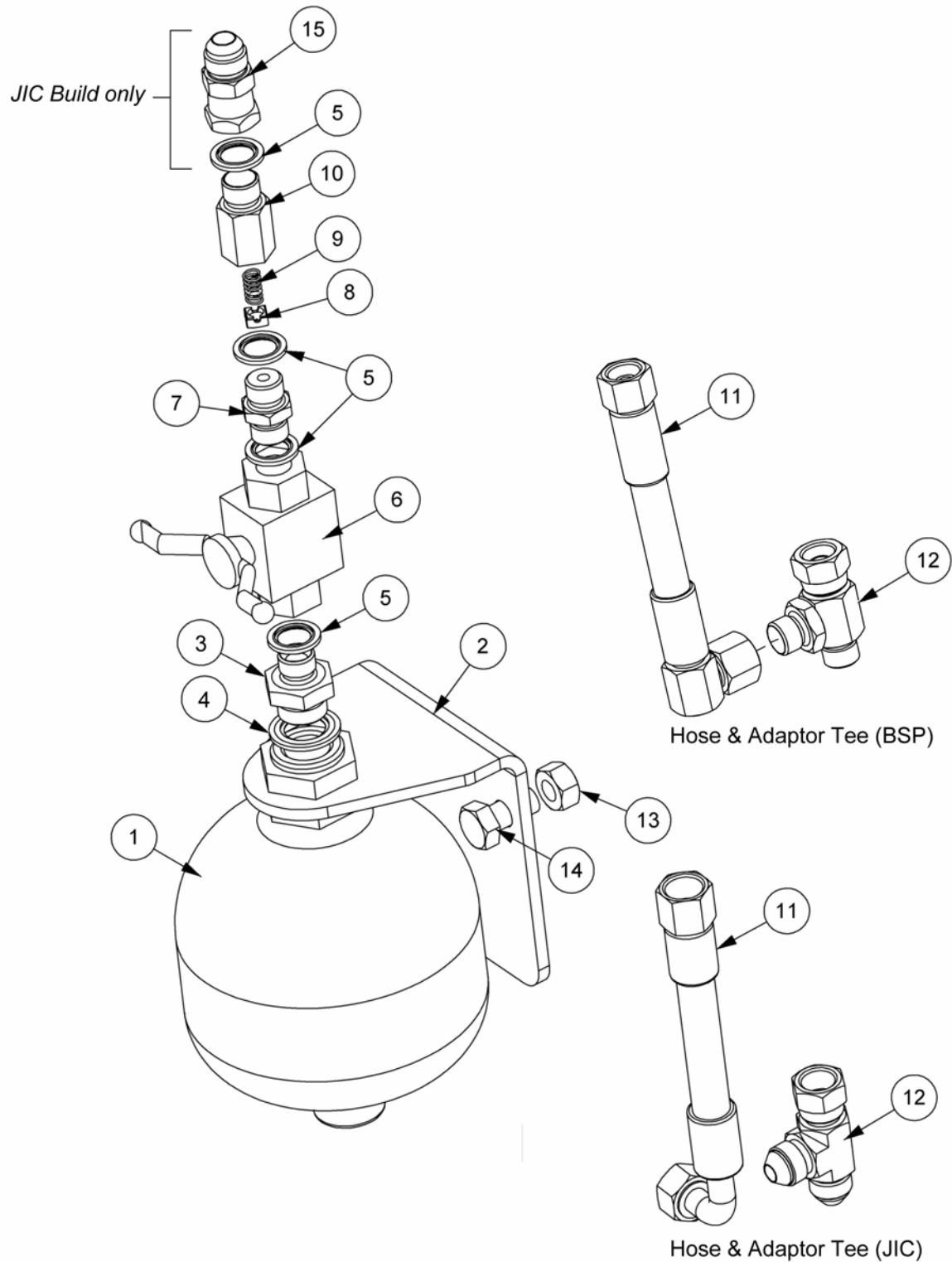
12 RCV to Tank (Return)

13 Pump to RCV / RCV to Tank

LIFT FLOAT KIT (BSP & JIC) – Optional Extra

Module(s): 8126326 (BSP), 8126347 (JIC)

McCONEL



Module(s): 8126326 (BSP), 8126347 (JIC)

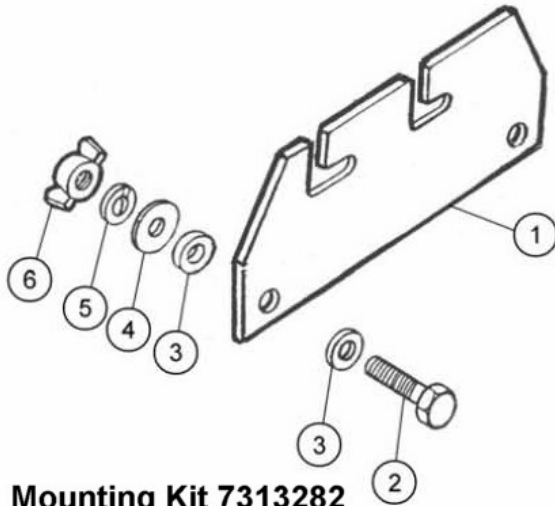
REF.	QTY.	PART NO.	DESCRIPTION
		8126326	LIFT FLOAT KIT - BSP Build
1	1	8126044	ACCUMULATOR
2	1	8126318	BRACKET
3	1	G2410380	ADAPTOR
4	1	8650322	BONDED SEAL
5	3	8650103	BONDED SEAL
6	1	08.200.01	ISOLATING VALVE
7	1	8581209	ADAPTOR
8	1	8123041	RESTRICTOR DISC - 1.15 RED
9	1	8116011	SPRING
10	1	8581346	ADAPTOR RESTRICTOR BODY
11	1	10.004.20	HOSE - 3/8" BSP FS/F90 x 1000mm
12	1	11.068.69	ADAPTOR TEE (BSP)
13	2	9143006	SELF-LOCKING NUT
14	2	9313056	SETSCREW

REF.	QTY.	PART NO.	DESCRIPTION
		8126347	LIFT FLOAT KIT - JIC Build
1	1	8126044	ACCUMULATOR
2	1	8126318	BRACKET
3	1	G2410380	ADAPTOR
4	1	8650322	BONDED SEAL
5	4	8650103	BONDED SEAL
6	1	08.200.01	ISOLATING VALVE
7	1	8581209	ADAPTOR
8	1	8123041	RESTRICTOR DISC - 1.15 RED
9	1	8116011	SPRING
10	1	8581346	ADAPTOR RESTRICTOR BODY
11	1	08.958.18	HOSE - 3/4" JIC FS/F90 x 1000mm
12	1	234430812	ADAPTOR TEE (JIC)
13	2	9143006	SELF-LOCKING NUT
14	2	9313056	SETSCREW
15	1	8581221	ADAPTOR (JIC)

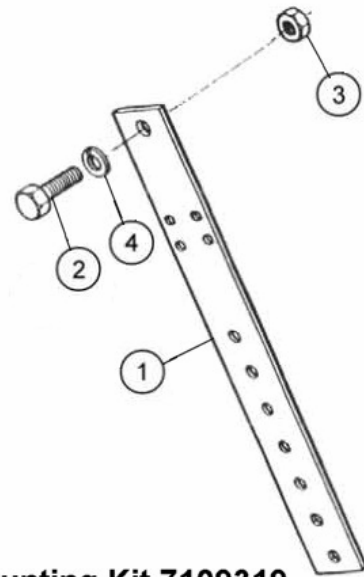
CONTROL MOUNTING KITS

McCONNEL

Module(s): 7109319, 7313282



Mounting Kit 7313282

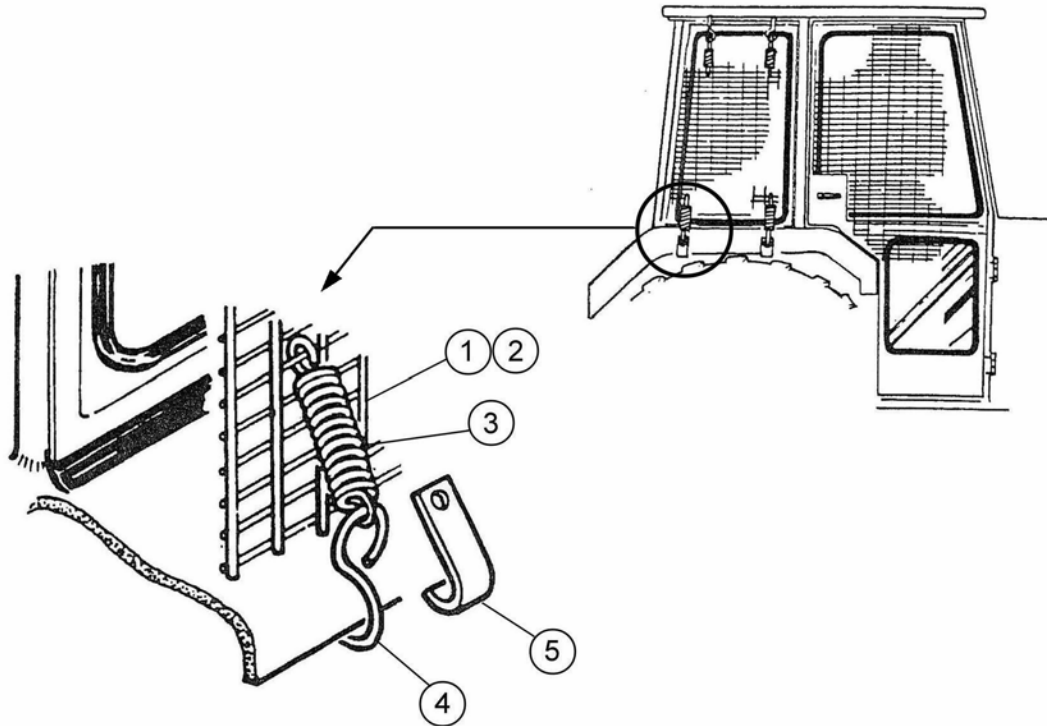


Mounting Kit 7109319

REF.	QTY.	PART NO.	DESCRIPTION
		7313282	MOUNTING KIT - Cable Controls
1	1	42491.01	BRACKET
2	2	9313094	SETSCREW
3	4	03.152.01	RUBBER WASHER
4	2	9100104	PLAIN WASHER
5	2	9100204	SPRING WASHER
6	2	9193004	WINGNUT

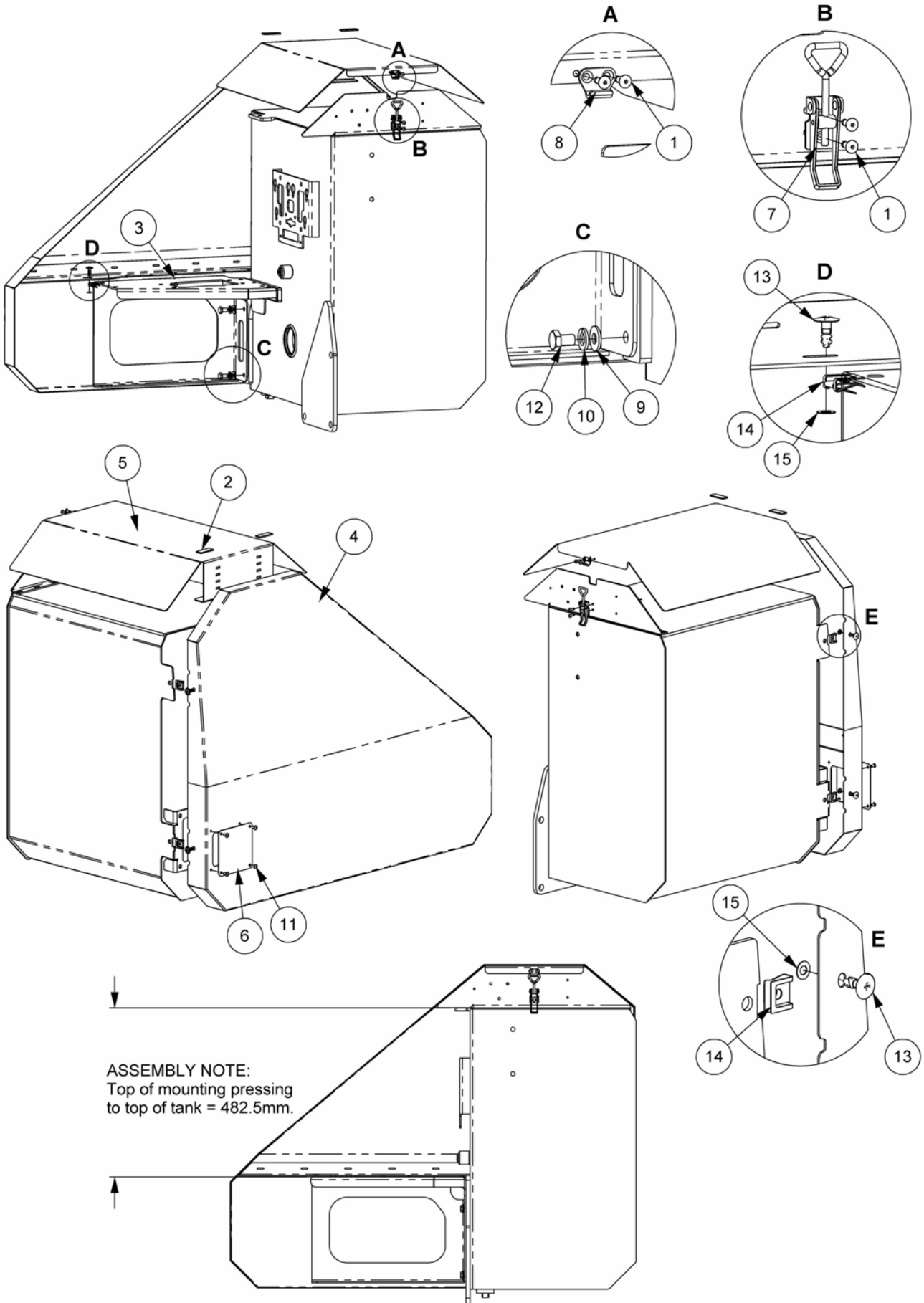
REF.	QTY.	PART NO.	DESCRIPTION
		7109319	MOUNTING KIT - Electric Switchbox Controls
1	1	7109146	PILLAR
2	1	9311086	SETSCREW
3	1	0111006	NUT
4	1	0100206	SPRING WASHER

Module(s): 7313324



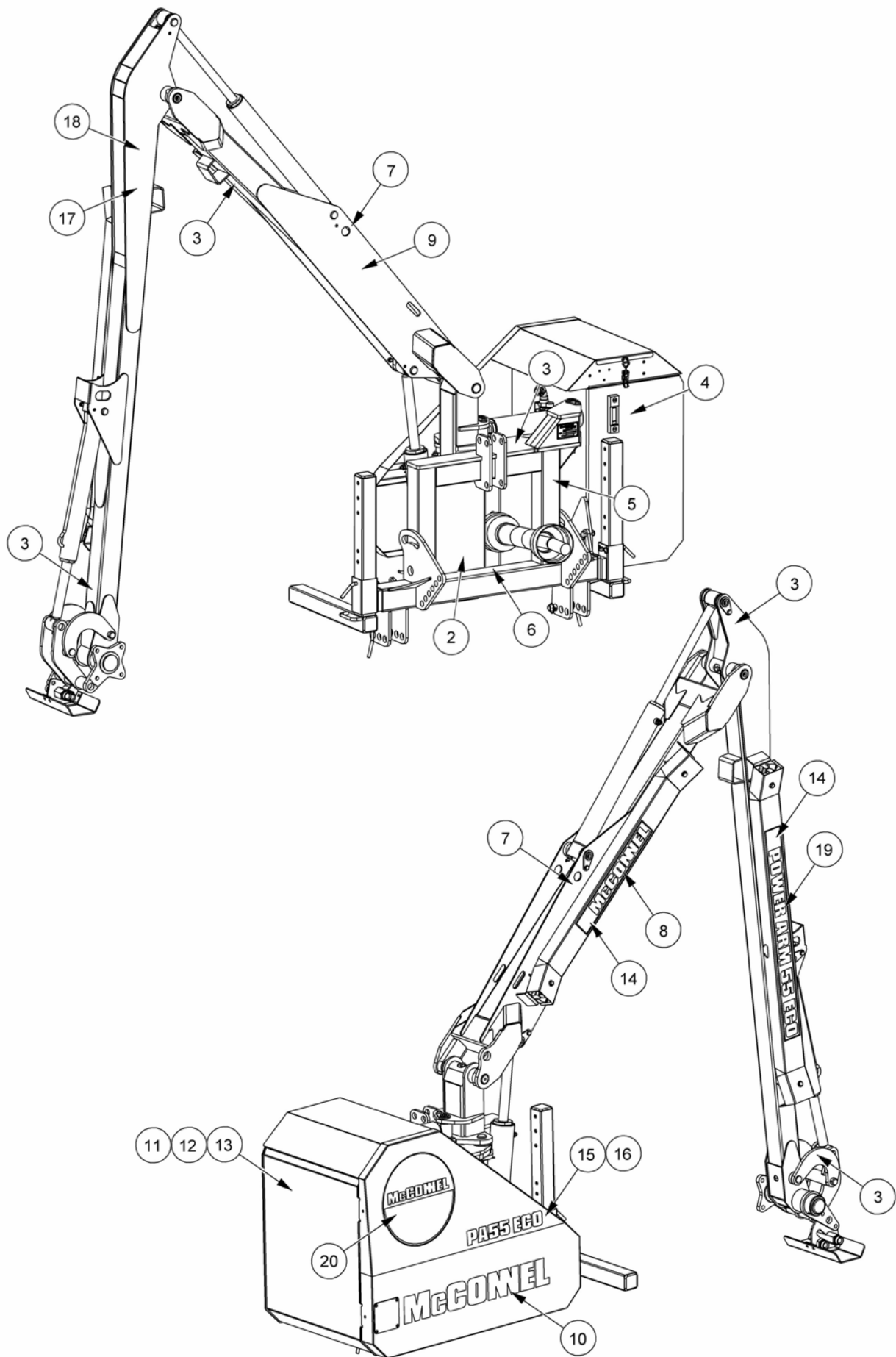
REF.	QTY.	PART No.	DESCRIPTION
		7313324	CAB GUARD & MOUNTING KIT
1	1	7313049	GUARD PANEL - LARGE
2	1	7313050	GUARD PANEL - SMALL
3	12	6001064	SPRING
4	6	6001065	HOOK
5	6	7313051	HOOK

Module(s): 7494735



Module(s): 7494735

REF.	QTY.	PART NO.	DESCRIPTION
		7494735	REAR COVERS - PA50 & 55 ECO Mk2
1	4	21612.01	POP RIVET
2	2	21726.31	SPONGE PAD
3	1	22472.02	COVER & VALVE MOUNTING - R/H Build
4	1	22476.04	REAR COVER - R/H Build
5	1	22477.03	TANK TOP COVER
6	1	22531.01	BLANKING PLATE
7	1	43449.02	OVERCENTRE FASTENER
8	1	46007.01	HOOK
9	4	9100105	FLAT WASHER
10	4	9100206	SPRING WASHER
11	4	9300164	TAPTITE
12	4	9313035	SETSCREW
13	3	22549.01	FAST TURN SLOTTED HEAD STUD
14	3	22549.02	FAST TURN SLIP-ON RECEPTACLE
15	3	22549.03	FAST TURN RETAINER



Module(s): 7494750, 7494751

REF.	QTY.	PART NO.	DESCRIPTION
		7494750	DECAL KIT - PA50 ECO Mk2
1	1	1290352	DECAL - GENERAL WARNING
2	1	00756494	DECAL - PTO SHAFT WARNING
3	6	02962764	DECAL - PINCH POINT
4	1	1290023	DECAL - OIL FILTER INSTRUCTIONS
5	1	09.811.03	DECAL - PTO SPEED (500 RPM)
6	1	7135295	DECAL - TIGHTEN CHECK CHAINS
7	2	1290074	DECAL - SLING HERE
8	1	1290747	DECAL - McCONNEL (WHITE BORDER)
9	1	1290255	DECAL - McCONNEL (BLACK)
10	1	1290649	DECAL - McCONNEL (LARGE WHITE)
11	1	09.821.28	DECAL - EURO CAB WARNING
12	1	09.821.32	DECAL - SAFETY (EURO)
13	1	09.821.35	DECAL - EURO GENERAL WARNING
14	2	1290742	DECAL - McCONNEL ROUNDEL
15	1	1290750	DECAL - PA50 (WHITE)
16	1	1290754	DECAL - ECO (WHITE)
17	1	1290751	DECAL - PA50 (BLACK)
18	1	1290757	DECAL - ECO (BLACK)
19	1	1290752	DECAL - POWER ARM 50 ECO
20	1	1290697	DECAL - McCONNEL ROUNDEL

REF.	QTY.	PART NO.	DESCRIPTION
		7494751	DECAL KIT - PA55 ECO Mk2
1	1	1290352	DECAL - GENERAL WARNING
2	1	00756494	DECAL - PTO SHAFT WARNING
3	6	02962764	DECAL - PINCH POINT
4	1	1290023	DECAL - OIL FILTER INSTRUCTIONS
5	1	09.811.03	DECAL - PTO SPEED (500 RPM)
6	1	7135295	DECAL - TIGHTEN CHECK CHAINS
7	2	1290074	DECAL - SLING HERE
8	1	1290747	DECAL - McCONNEL (WHITE BORDER)
9	1	1290255	DECAL - McCONNEL (BLACK)
10	1	1290649	DECAL - McCONNEL (LARGE WHITE)
11	1	09.821.28	DECAL - EURO CAB WARNING
12	1	09.821.32	DECAL - SAFETY (EURO)
13	1	09.821.35	DECAL - EURO GENERAL WARNING
14	2	1290742	DECAL - McCONNEL ROUNDEL
15	1	1290755	DECAL - PA55 (WHITE)
16	1	1290754	DECAL - ECO (WHITE)
17	1	1290756	DECAL - PA55 (BLACK)
18	1	1290757	DECAL - ECO (BLACK)
19	1	1290753	DECAL - POWER ARM 55 ECO
20	1	1290697	DECAL - McCONNEL ROUNDEL



McConnel Limited, Temeside Works, Ludlow, Shropshire SY8 1JL. England.
Telephone: 01584 873131. Facsimile: 01584 876463. www.mcconnel.com