

Parts Manual for

WGC No: 7490880

100 HEAD ASSY

Print date: 27/11/2012

Applicable to Works Order No: 88415B

For Serial No: M1228214



All parts are not created equal and before you settle on an imitation part, know this - McConnel Genuine Parts offer the safety, durability and warranty protection you expect. You've made an investment in your equipment; now invest in its future.

- We design and build to exact specifications requiring strict chemical strength and performance characteristics. (Never reverse engineered like imitation parts).
- McConnel Genuine Parts meet the rigid guidelines necessary to satisfy warranty requirements.
- Our parts experts are available to answer any questions and have first -hand knowledge of all equipment.
- McConnel Genuine Parts are tested to meet all safety standards.
- McConnel parts have a 6 month warranty when fitted by an authorised Dealer.

McCONNEL LIMITED

For parts supply contact your local Dealer or Stockist

To help them help you, always quote:

- ***Machine Type***
- ***Serial Number***
- ***Part Number***

Design improvements may alter some of the parts listed in this manual – the latest part will always be supplied when it is interchangeable with an earlier one.

McCONNEL PARTS DEPARTMENT

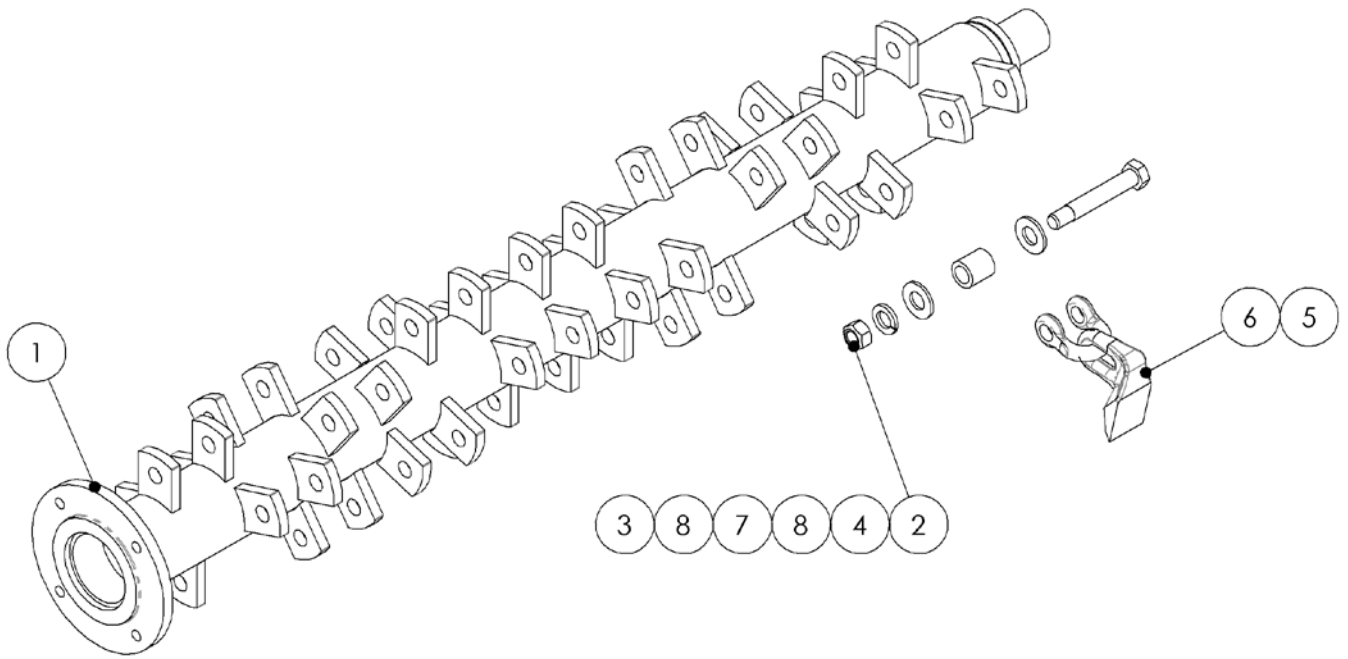
Telephone: +44 (0)1584 873131 **Fax:** +44 (0)1584 872223
Direct Parts Line: +44 (0)1584 876888 **Email:** parts@mccommel.com

CONTENTS

Page No	Schedule No	Schedule Description
3	21959.10	ROTOR MODULE
5	22494.32	CASING MODULE
7	22495.32	MOTOR MODULE
9	42603.02	MOTOR & MTG
11	22498.09	DRIVE MODULE
13	22562.22	ROLLER MODULE
15	7350710	STICKER MODULE
17	7442250	HOOD KIT
19	7442254	FLAP KIT

* optional component

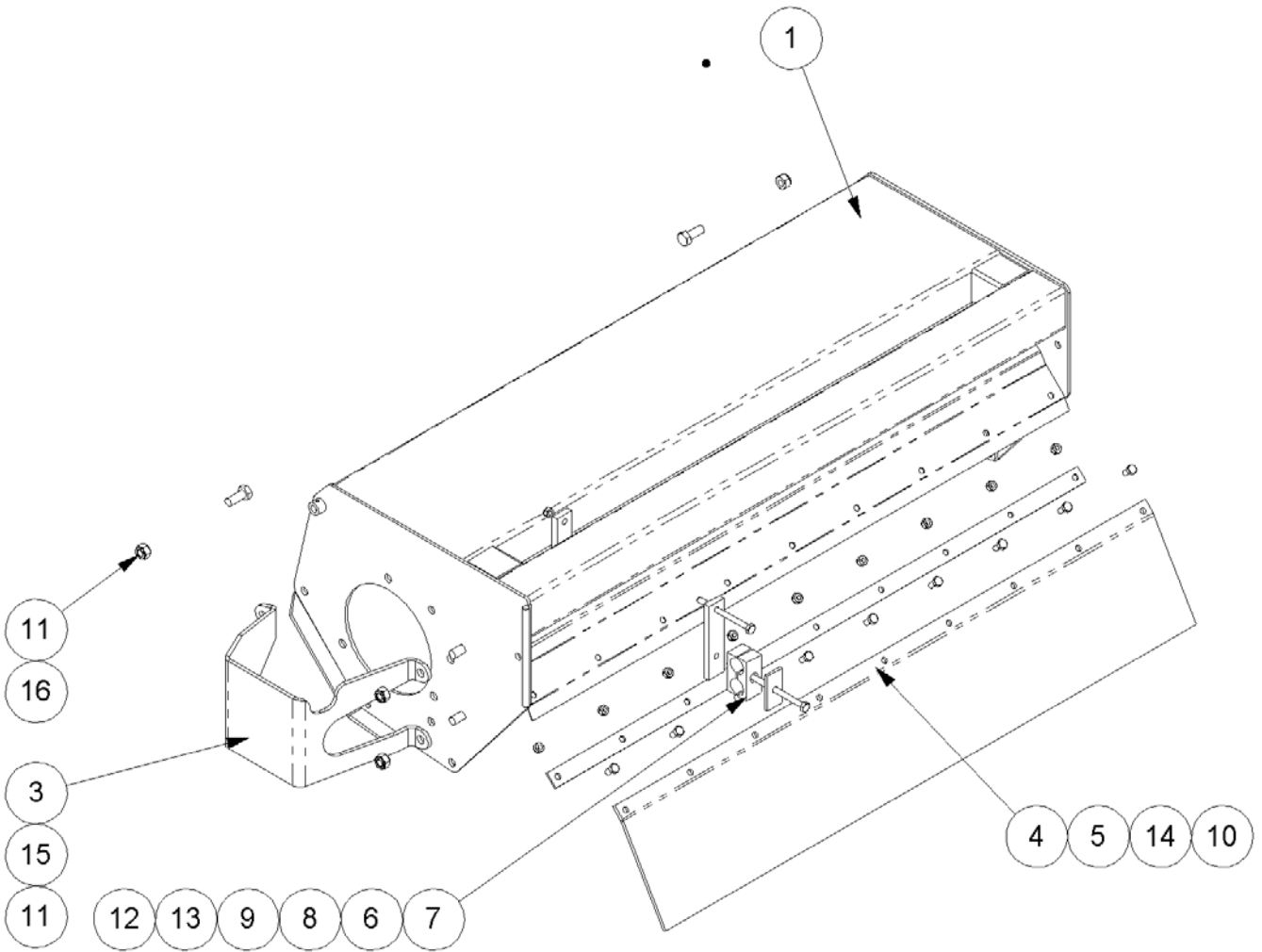
21959.10 B - ROTOR MODULE



21959.10 B - ROTOR MODULE

Ref	Part No	Description	Qty
1	41284.02	ROTOR WDMT	1
2	05.968.06	NUT	28
3	05.775.10	BOLT	28
4	9100207	WASHER	28
5	05.895.01	SHACKLE	28
6	7190463	FLAIL BOOT	28
7	02.807.01	SPACER	28
8	05.281.04	WASHER	56

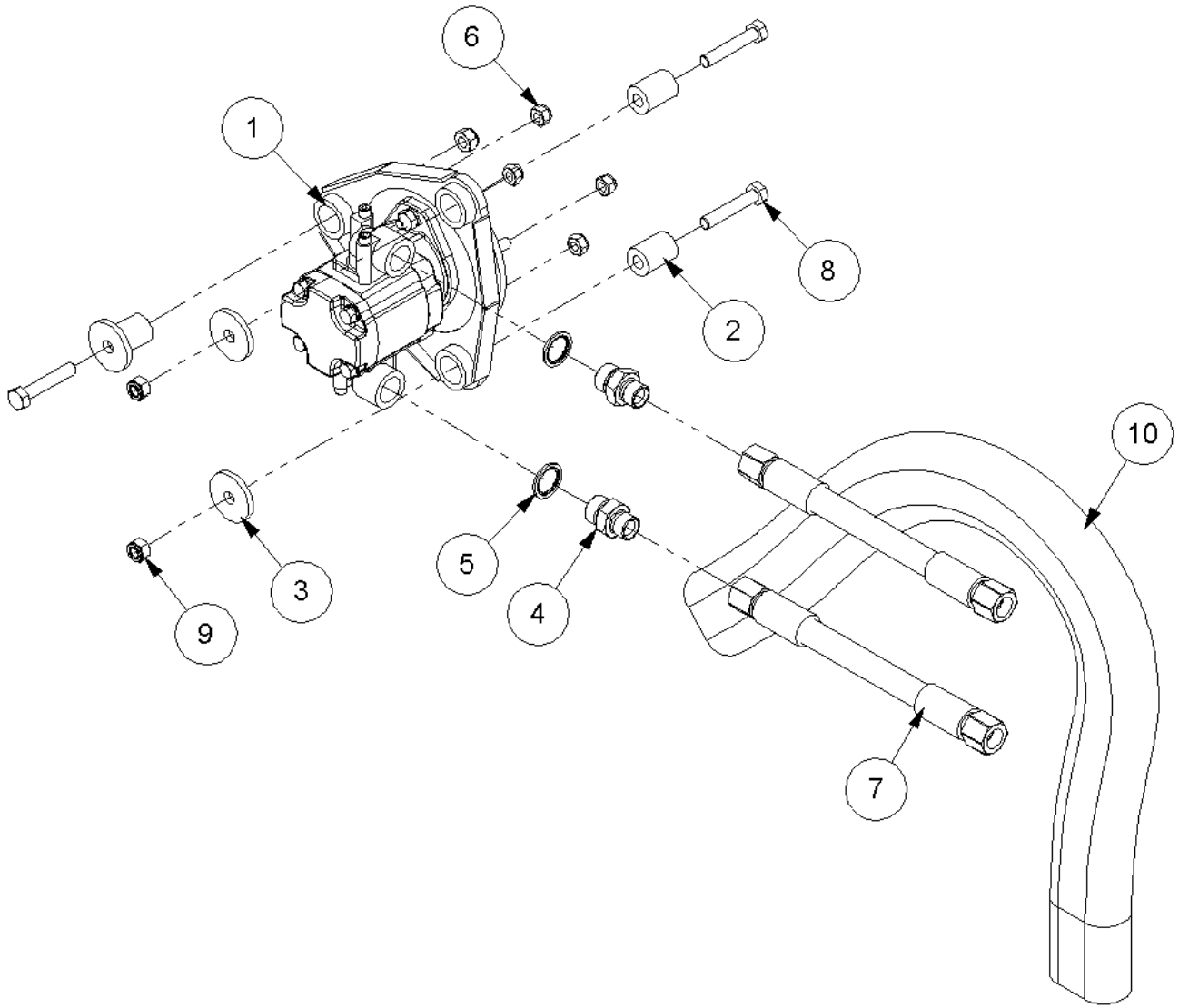
22494.32 B - CASING MODULE



22494.32 B - CASING MODULE

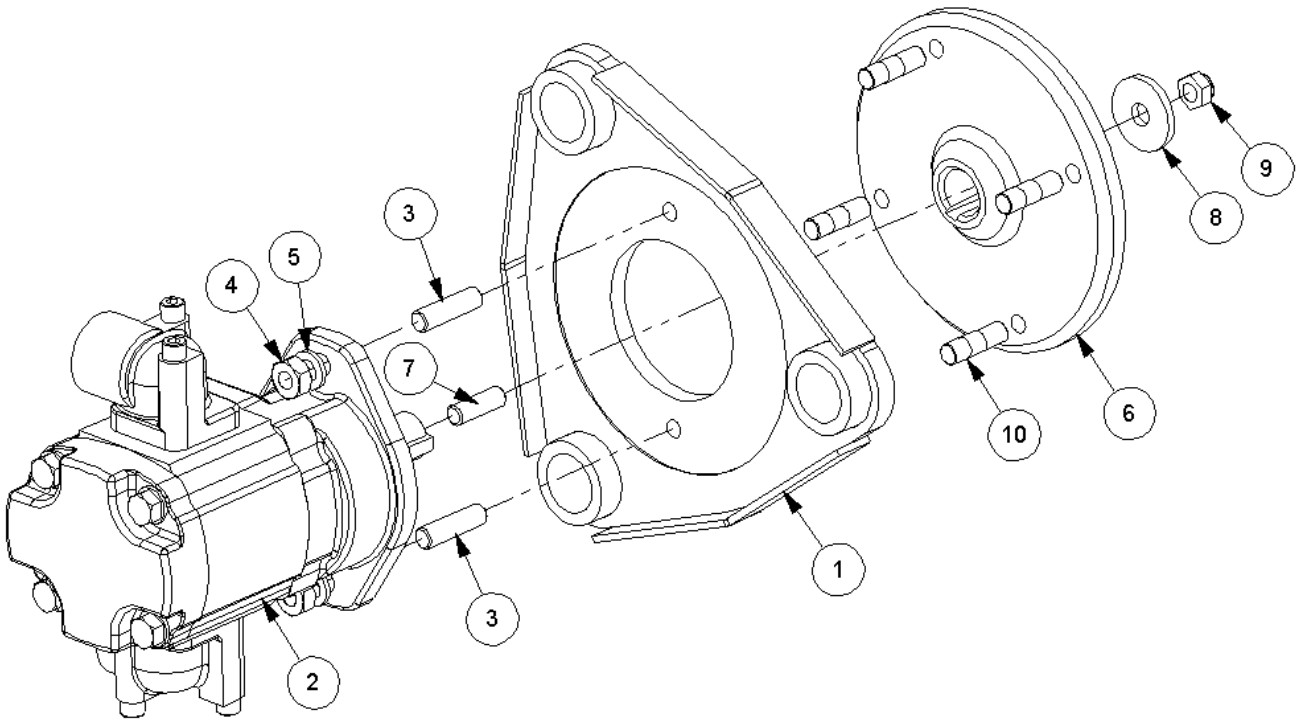
Ref	Part No	Description	Qty
1	41282.12	CASING	1
3	42495.01	COVER	1
4	41289.02	FLAP	1
5	41290.02	STRIP	1
6	06.418.03	PLATE	1
7	06.430.09	CLAMP (2 PCS)	1
8	21874.01	PLATE	1
9	21874.02	PLATE	1
10	9163004	NUT	11
11	9163006	NUT	4
12	9213204	BOLT	1
13	9213304	HEX BOLT M8 X 1	1
14	9313034	SCREW	9
15	9313056	SCREW	2
16	9313066	SCREW	2

22495.32 D - MOTOR MODULE



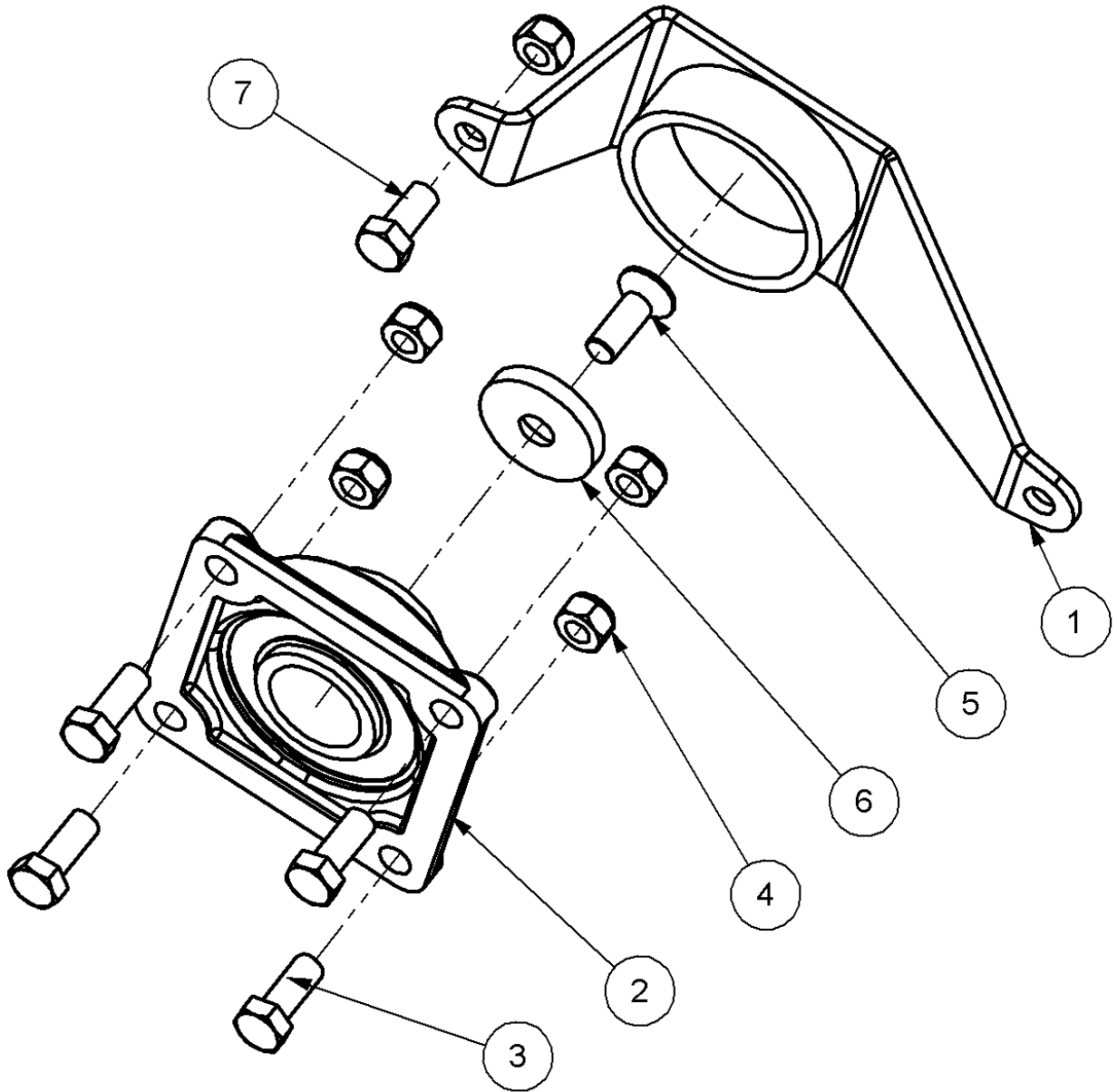
22495.32 D - MOTOR MODULE

Ref	Part No	Description	Qty
1	42603.01	MOTOR & MTG	1
2	03.871.01	BUSH	3
3	02.824.01	WASHER	3
4	8581270	ADAPTOR	2
5	8650106	SEAL	2
6	05.968.02	NUT	4
7	10.007.30	HOSE	2
8	9213136	BOLT	3
9	9163006	NUT	3
10	22590.26	HOSE SLEEVING	2



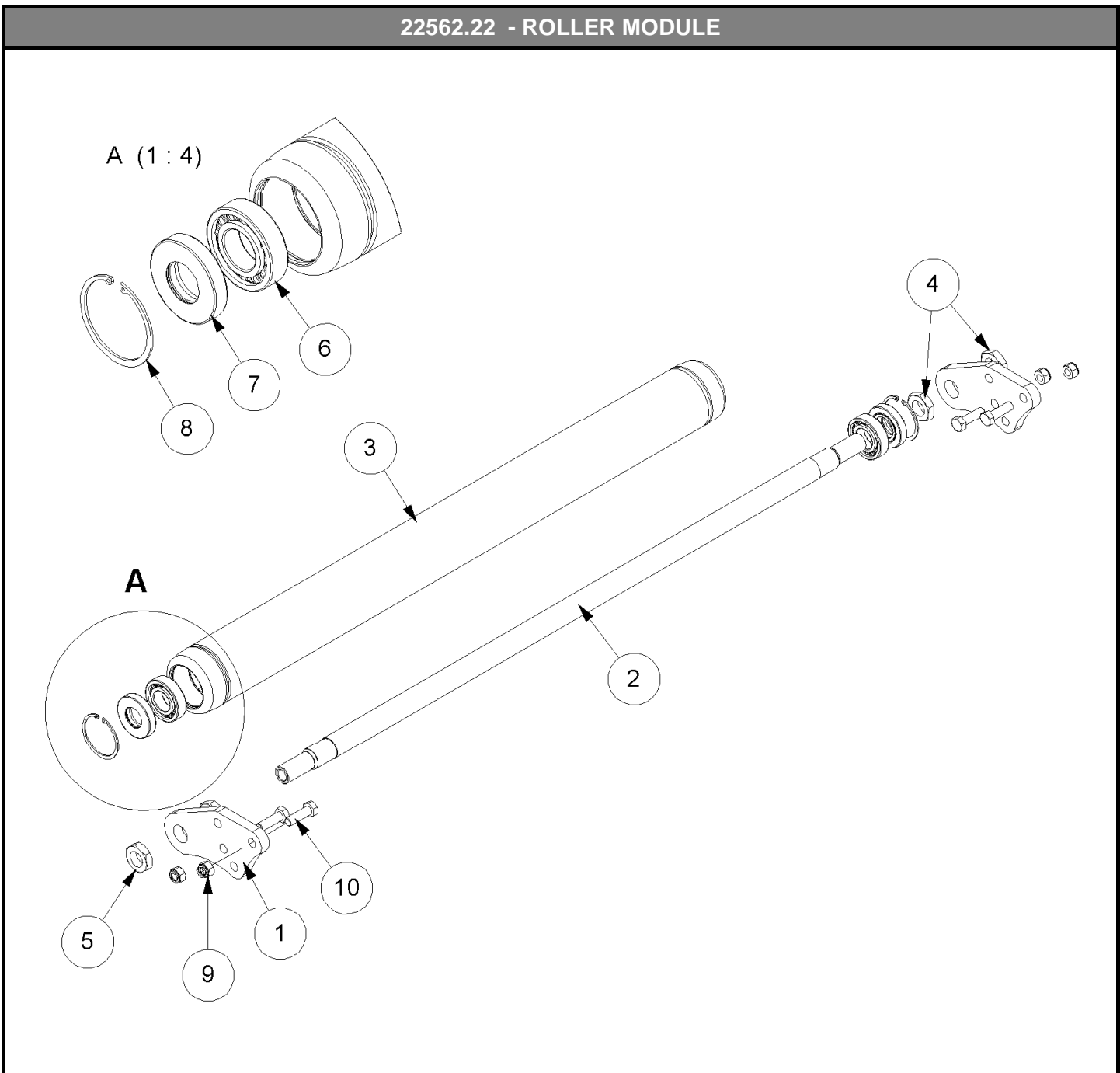
42603.02 - MOTOR & MTG

Ref	Part No	Description	Qty
1	09.132.01	PLATE	1
2	08.785.04	HYD MOTOR	1
3	04.282.56	STUD	2
4	9113005	NUT	2
5	9100205	WASHER	2
6	03.833.01	PLATE	1
7	03.960.02	STUD	1
8	03.959.02	WASHER	1
9	0141003	NUT	1
10	03.917.01	STUD	4



22498.09 - DRIVE MODULE

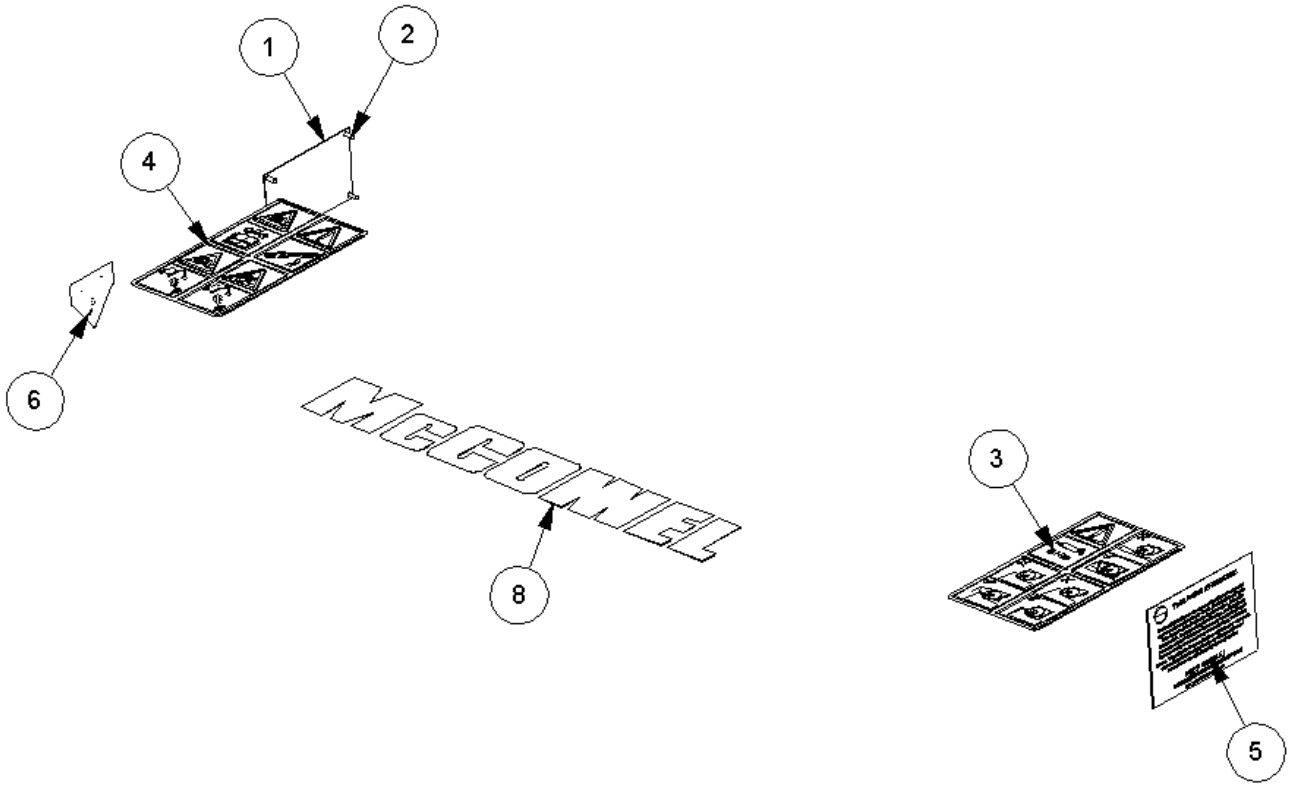
Ref	Part No	Description	Qty
1	42496.01	COVER	1
2	03.008.01	BEARING	1
3	9313066	SCREW	4
4	9163006	NUT	5
5	9353076	SCREW	1
6	42503.01	WASHER	1
7	9313056	SCREW	1



22562.22 - ROLLER MODULE

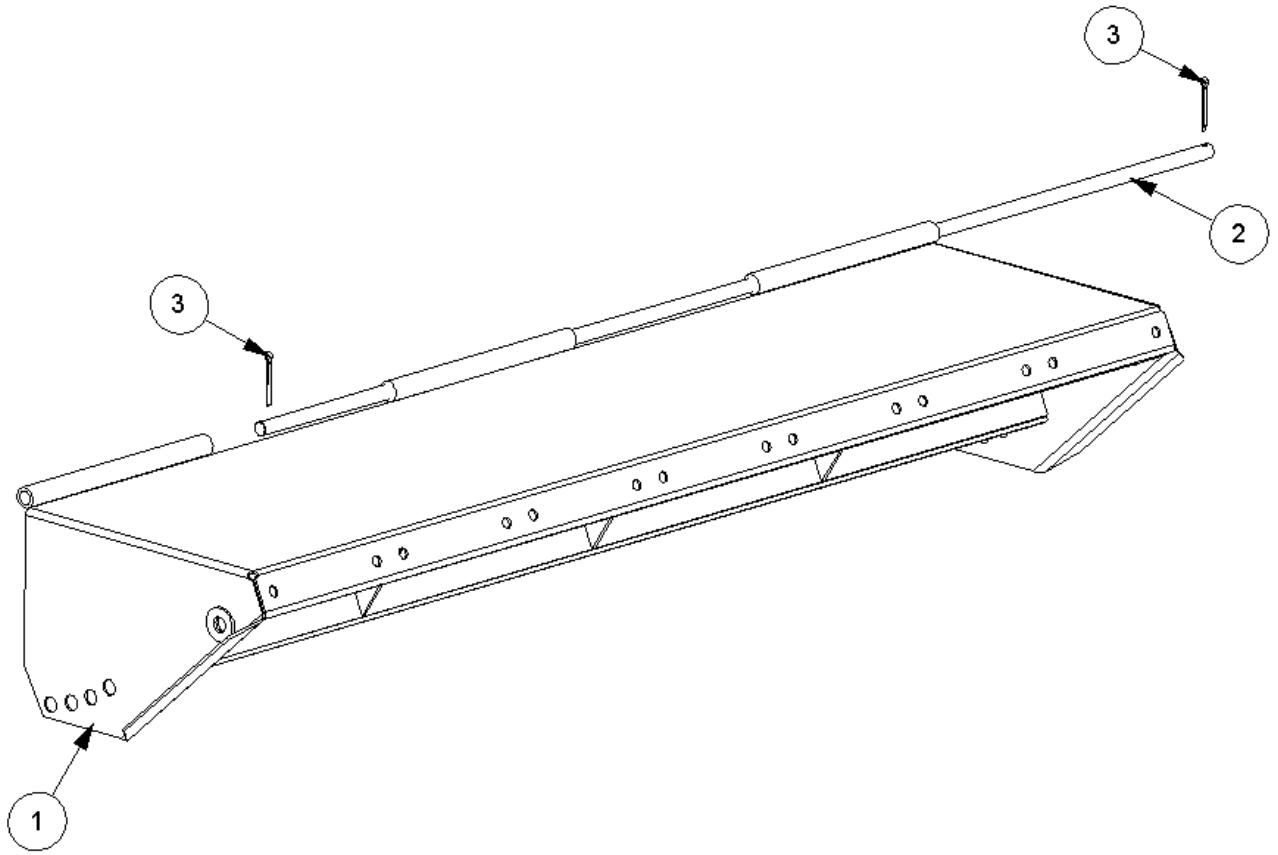
Ref	Part No	Description	Qty
1	41285.08	BRACKET	2
2	22562.04	TUBE	1
3	22562.13	ROLLER W/A	1
4	0131039	NUT	2
5	0131009	NUT	2
6	0600100	BEARING	2
7	8629250	SHAFT SEAL	2
8	0411262	CIRCLIP	2
9	9163006	NUT	4
10	9213086	BOLT	4

7350710 B - STICKER MODULE



7350710 B - STICKER MODULE

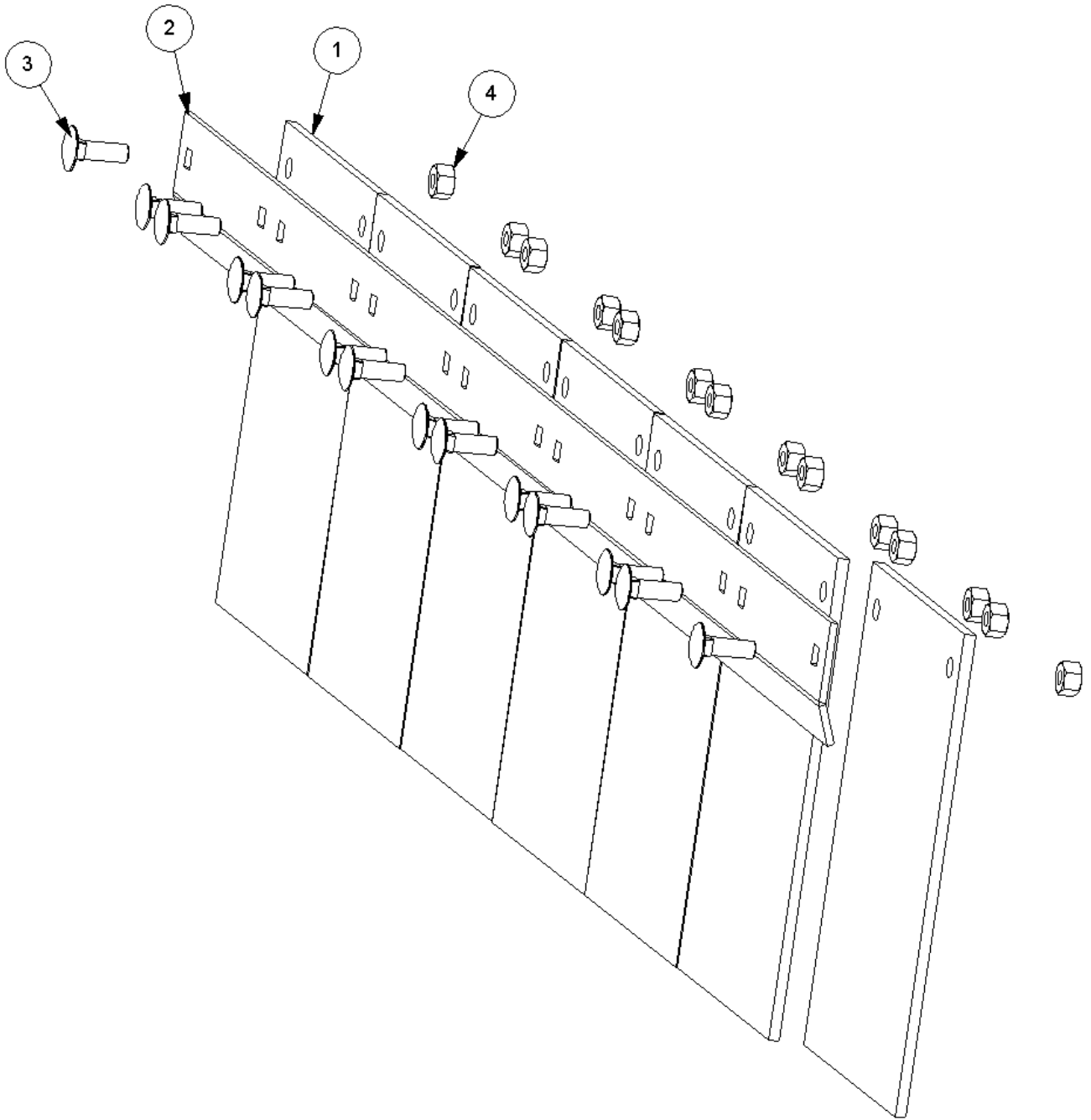
Ref	Part No	Description	Qty
1	1335246	SERIAL NO.PLATE	1
2	7103230	RIVET	4
3	1290738	DECAL	1
4	09.821.35	DECAL	1
5	1290392	DECAL	1
6	09.810.01	DECAL	1
8	1290255	DECAL	1



7442250 - HOOD KIT

Ref	Part No	Description	Qty
1	41283.02	HOOD	1
2	41293.02	BAR	1
3	9501325	PIN	2

7442254 - FLAP KIT



7442254 - FLAP KIT

Ref	Part No	Description	Qty
1	41296.02	FLAP	7
2	41291.02	STRIP	1
3	9293054	BOLT	14
4	9163004	NUT	14



McConnel Limited, Temeside Works, Ludlow, Shropshire SY8 1JL. England.
Telephone: 01584 873131. Facsimile: 01584 876463. www.mcconnel.com