

# **PARTS MANUAL**

## **FOR**

# **SERIAL NO: M2165357**

**PRINTED ON 12 JAN 2022**

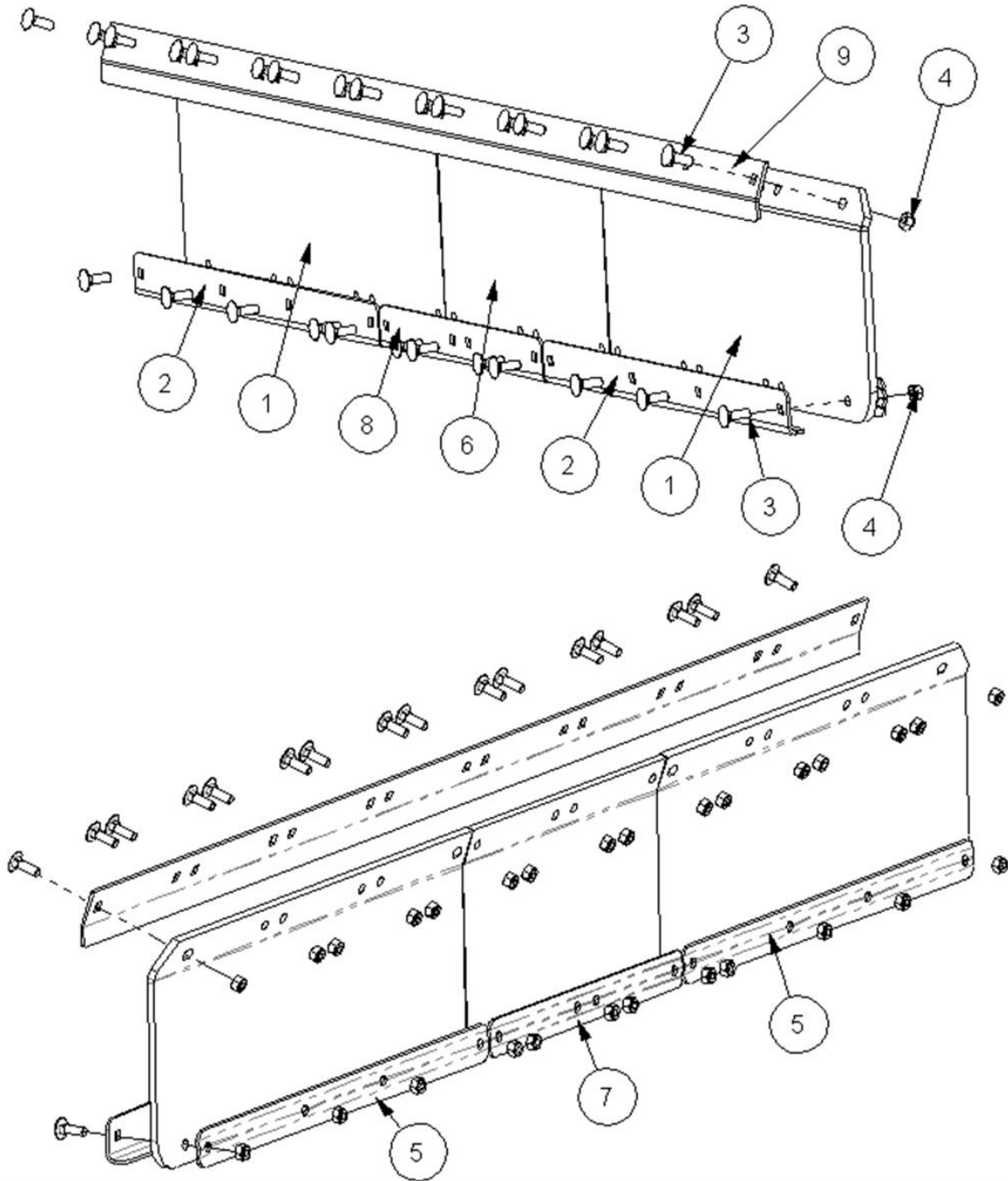
# 21523.08 - ROLLER ASSY



Ref	Part No	Description	QTY
1	21394.03	ROLLER	1
2	21394.32	CAP	2
3	21524.12	BRACKET	1
4	21524.13	BRACKET	1
5	0600111	BEARING	4
6	21523.31	SPACER	2

<b>Ref</b>	<b>Part No</b>	<b>Description</b>	<b>QTY</b>
7	0402240	RING	2
8	9343105	SCREW	6
9	9200031	BOLT	4
10	9100024	NUT	4
11	0901121	GREASER	2
12	0401230	CIRCLIP	2
13	8629239	SEAL	2
14	42257.10	SHIM	2

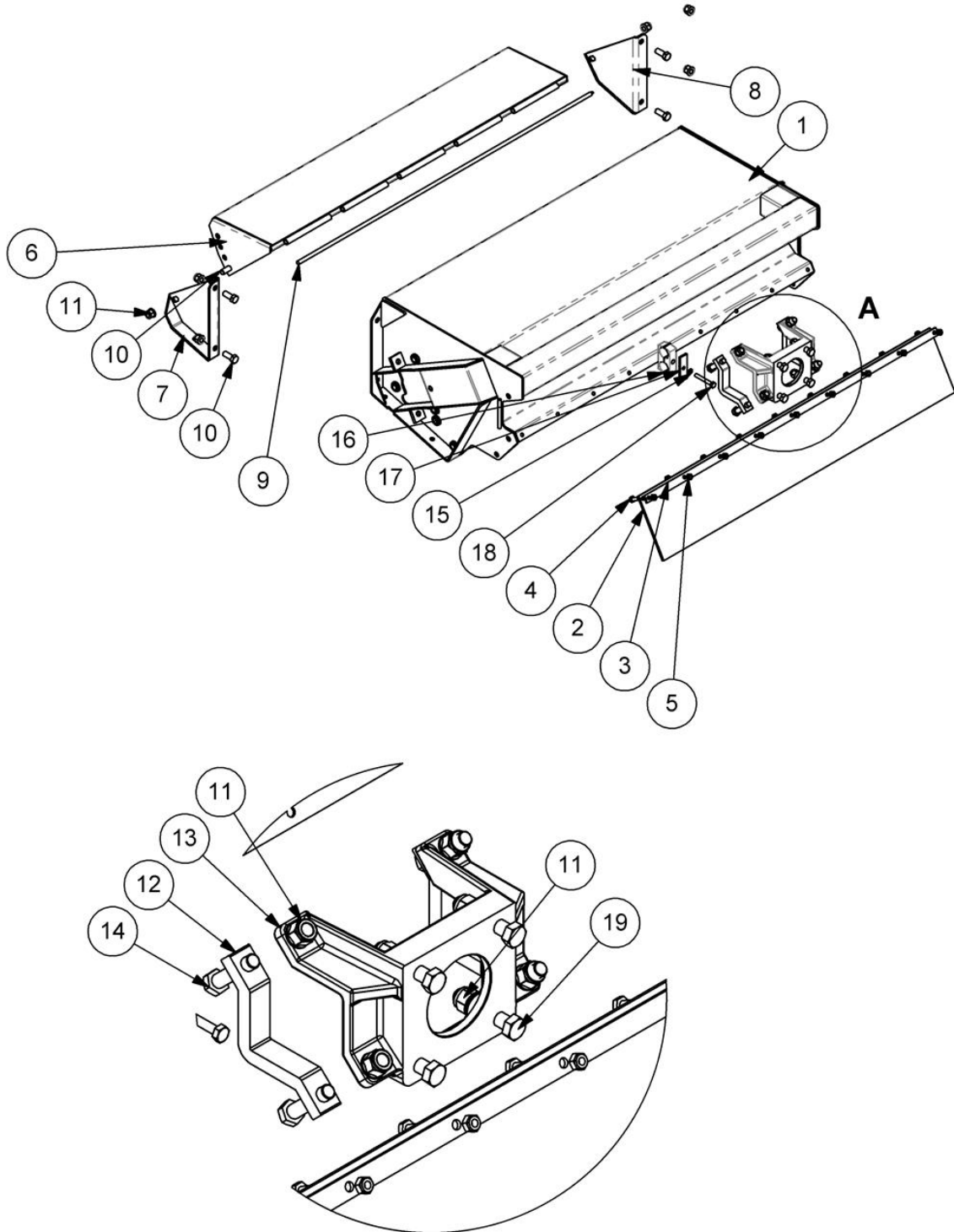
# 21541.01 - USE 21541.01S FOR SPARES



Ref	Part No	Description	QTY
1	21544.09	FRONT FLAP	2
2	21541.05	PLATE	2
3	9293054	BOLT	28
4	9163004	NUT	28
5	21541.06	PLATE	2
6	21544.02	FLAP	1
7	21541.08	PLATE	1
8	21541.07	PLATE	1

Ref	Part No	Description	QTY
9	7190304	STRIP	1

# 22494.05 - 1.2M DD FHEAD MODULE

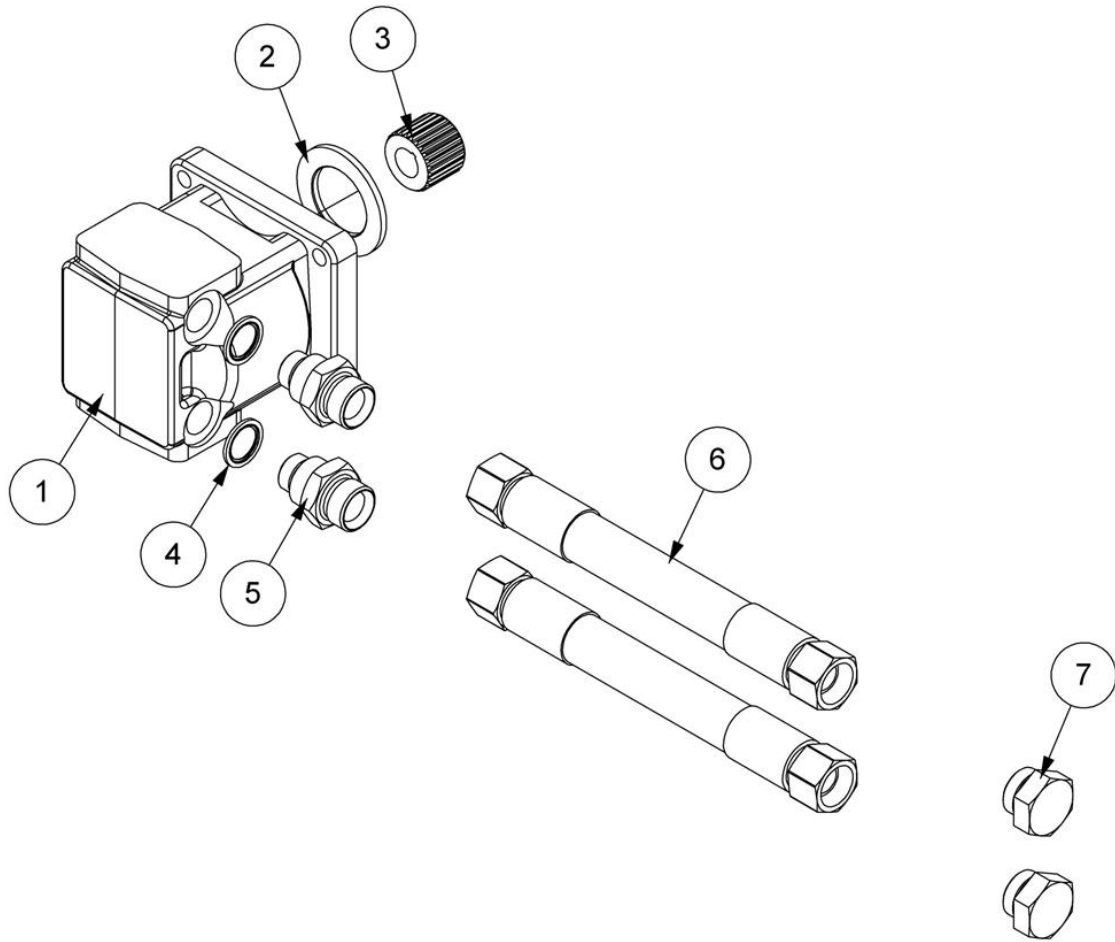


DETAIL A  
SCALE 1 : 6

Ref	Part No	Description	QTY
1	41685.01	CASING	1
2	7190314	FLAP	1
3	7190313	PLATE	1

Ref	Part No	Description	QTY
4	9313065	SCREW	9
5	9163005	NUT	9
6	41695.02	FRONT HOOD	1
7	7290388	BRACKET - LH	1
8	7290387	BRACKET - RH	1
9	41700.01	PIN	1
10	30.073.25	BOLT	6
11	9100024	NUT	14
12	7198332	CLAMP	2
13	22748.01	BRACKET	1
14	12.714.75	BOLT	4
15	9100205	WASHER	1
16	7193063	CLAMP	1
17	06.418.05	PLATE	1
18	9213155	BOLT	1
19	9210167	BOLT	4

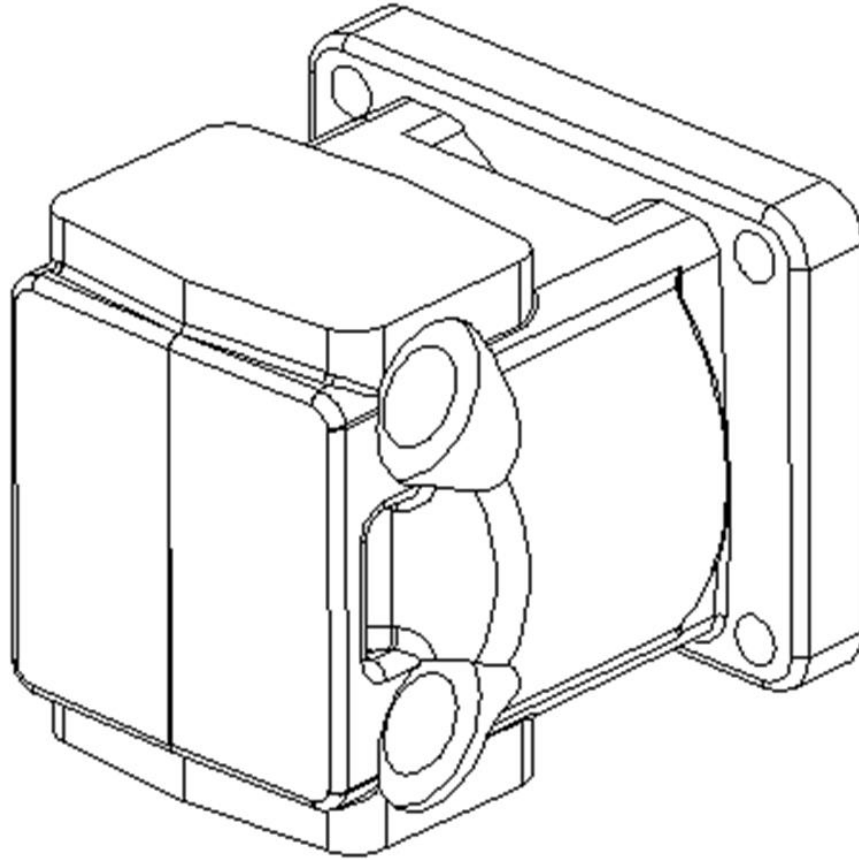
# 22495.05 - 125LPM DRIVE MODULE



Ref	Part No	Description	QTY
1	8301304	MOTOR - 65HP	1
2	7190015	WASHER	1
3	43390.02	USE 7190584	1
4	8650106	SEAL	2
5	8581295	ADAPTOR	2
6	8501254	HOSE	2
7	05.433.03	ADAPTOR	2

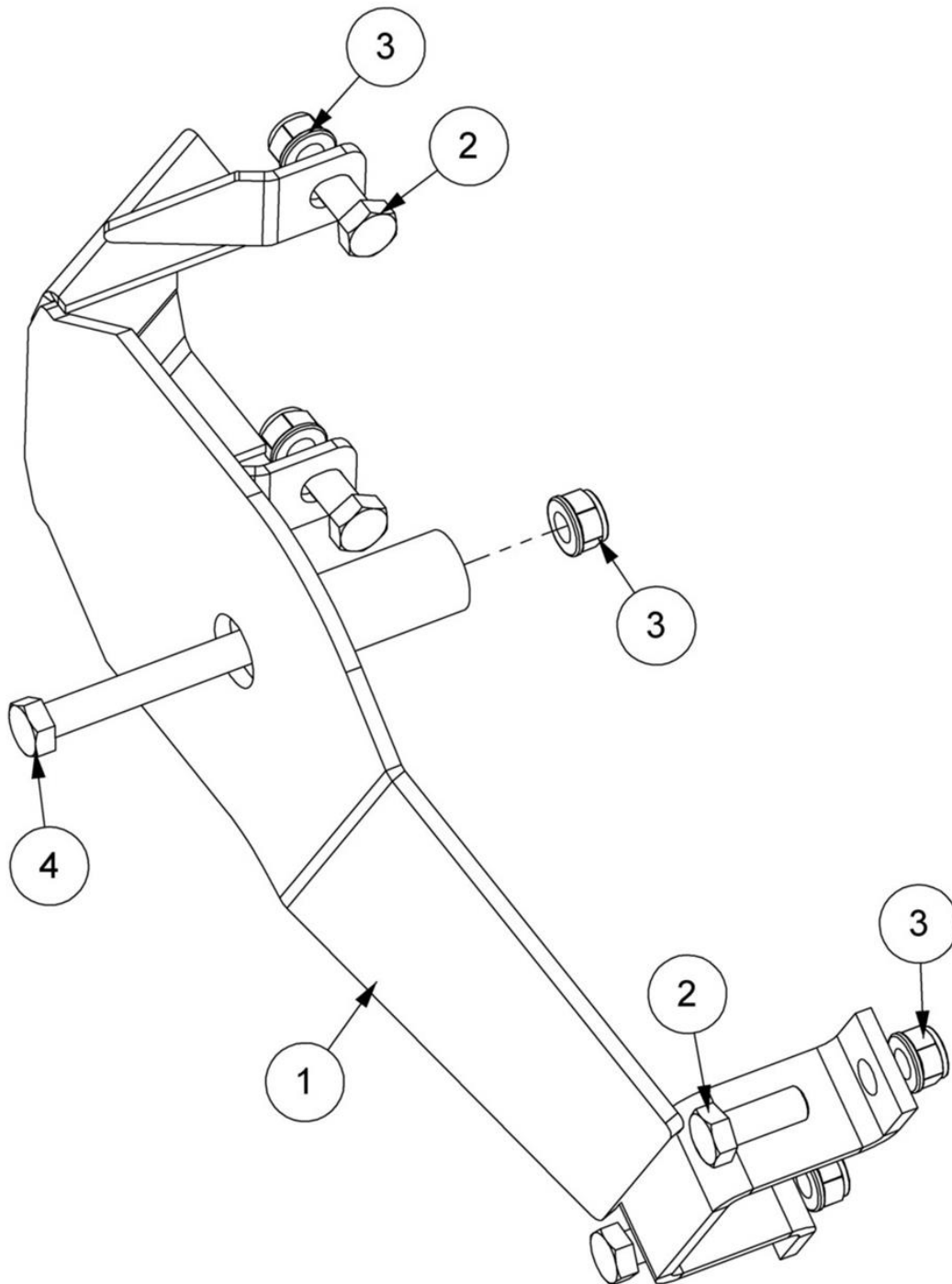


# 8301304 - MOTOR - 65HP



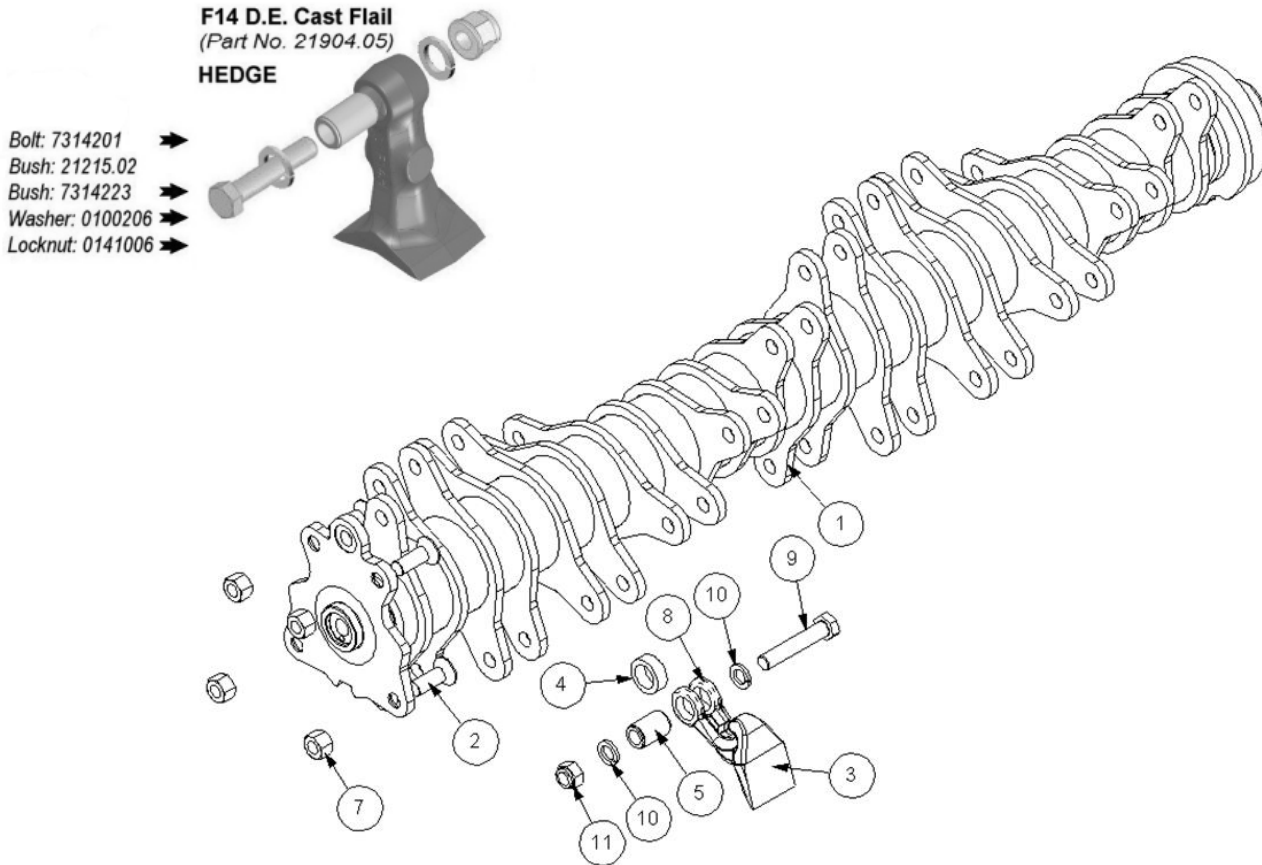
Ref	Part No	Description	QTY
1	8629209	SEAL	2
1	8699236	SEAL KIT	1
3	8301010	KEY	1
4	9100015	NUT	1

# 22496.03 - LH MOTOR COVER MOD



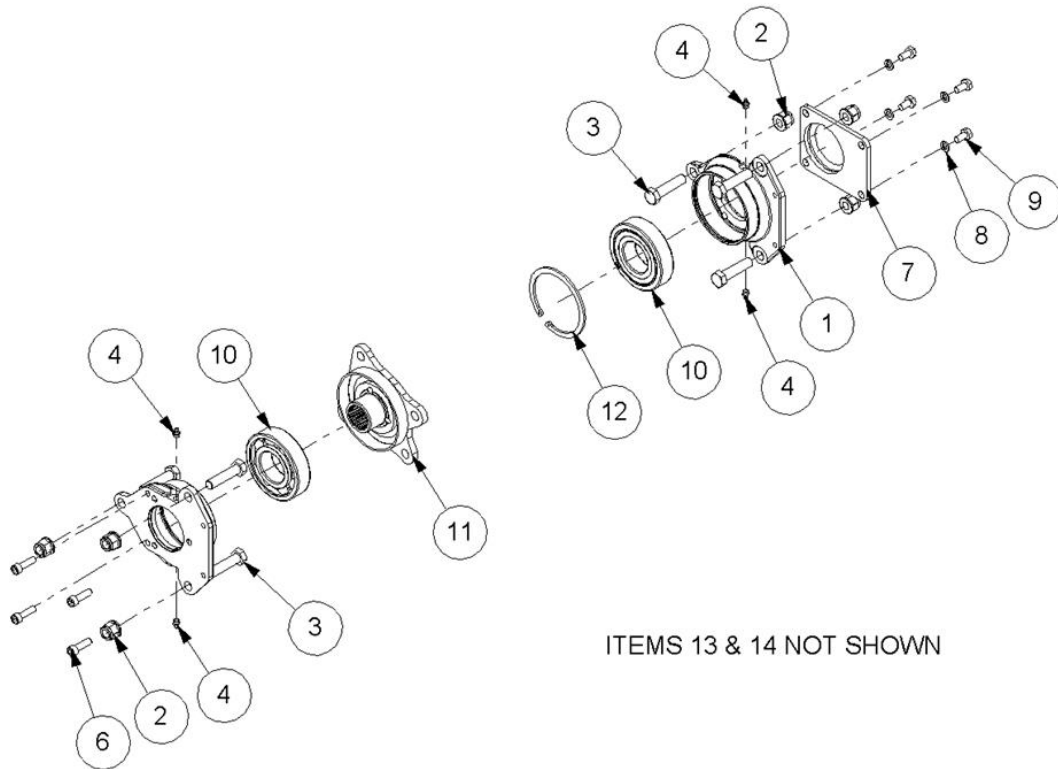
Ref	Part No	Description	QTY
1	42282.03	COVER - LH	1
2	9200028	BOLT	4
3	9100024	NUT	4
4	9200034	BOLT	1
5	T7942	NUT	1

# 22497.08 - ROTOR ASSY



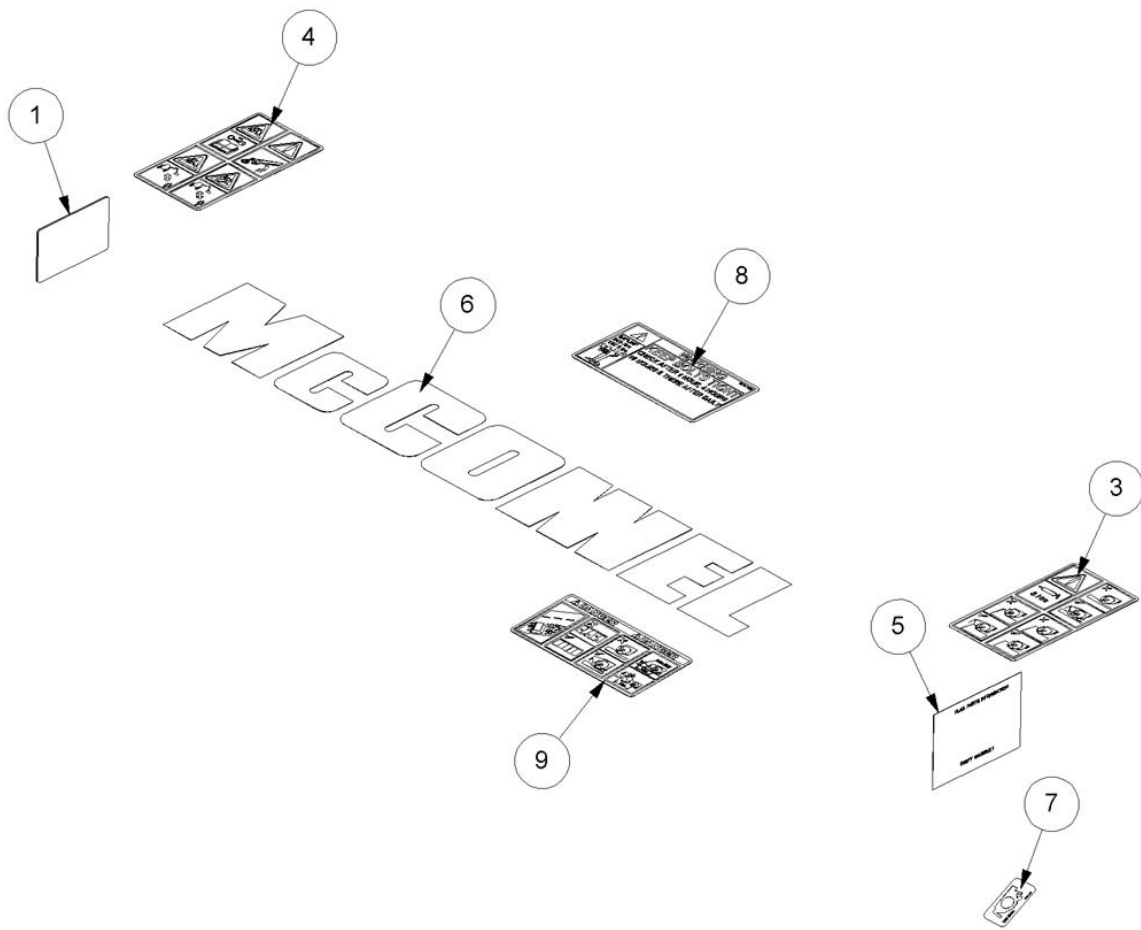
Ref	Part No	Description	QTY
1	22269.10	ROTOR-MULTICUT1.2M BOOT QUAD	1
2	9353097	SCREW	4
3	7190462	FLAIL - UNIVERSAL BOOT	24
4	7190172	SPACER	24
5	7314223	BUSH	24
6	0901161	GREASER	1
7	9163007	NUT	4
8	7190175	SHACKLE	24
9	7314201	BOLT	24
10	0100206	WASHER	48
11	0141006	NUT	24

# 22498.03 - QUAD DRIVE MODULE



Ref	Part No	Description	QTY
1	7190261	BEARING HOUSING	2
2	9100024	NUT	6
3	9200024	BOLT	6
4	0901121	GREASER	4
6	9300144	SCREW	4
7	7190292	PLATE	1
8	9100205	WASHER	4
9	9313045	SCREW	4
10	0600018	BEARING - ROTOR	2
11	22269.02	HUB	1
12	7190022	CIRCLIP	1
13	8121043	SPACER	5
14	8121044	SPACER	5

# 7350709 - STICKER MODULE



Ref	Part No	Description	QTY
1	1335246	SERIAL No. PLATE	1
2	7103230	RIVET	4
3	1290738	DECAL	1
4	09.821.35	DECAL	1
5	1290392	DECAL	1
6	1290527	DECAL	1
7	21917.03	DECAL	1
8	1291045	DECAL	1
9	1291231	DECAL	1