

Parts Manual for

WGC No: 7434973

PA3430 RH FM

Print date: 07/06/2013

Applicable to Works Order No: 82052B

For Serial No: M1331289



All parts are not created equal and before you settle on an imitation part, know this - McConnel Genuine Parts offer the safety, durability and warranty protection you expect. You've made an investment in your equipment; now invest in its future.

- We design and build to exact specifications requiring strict chemical strength and performance characteristics. (Never reverse engineered like imitation parts).
- McConnel Genuine Parts meet the rigid guidelines necessary to satisfy warranty requirements.
- Our parts experts are available to answer any questions and have first -hand knowledge of all equipment.
- McConnel Genuine Parts are tested to meet all safety standards.
- McConnel parts have a 6 month warranty when fitted by an authorised Dealer.

McCONEL LIMITED

For parts supply contact your local Dealer or Stockist

To help them help you, always quote:

- ***Machine Type***
- ***Serial Number***
- ***Part Number***

Design improvements may alter some of the parts listed in this manual – the latest part will always be supplied when it is interchangeable with an earlier one.

McCONNEL PARTS DEPARTMENT

Telephone: +44 (0)1584 873131 **Fax:** +44 (0)1584 872223
Direct Parts Line: +44 (0)1584 876888 **Email:** parts@mccommel.com

CONTENTS

Page No	Schedule No	Schedule Description
3	22674.51	OPERATOR MANUAL
5	7313324	GUARD KIT
7	7434500	MAIN FRAME MODULE
9	7434511	ANGLING GEAR
11	7434514	ROCKER MODULE
13	7434516	MAIN ARM MODULE
15	743452260	HOSE KIT
17	7434525	DIPPER MODULE
19	7434533	MODULE DIPPER RH
21	7434576	PACKING KIT
23	7434579	DECAL KIT
25	7434584	PA3430 MCC DECAL KIT
27	7434602	DUMMY TANK MOD LH
29	7434627	STABILIZER KIT
31	7434673	GUARD MODULE
33	7434689	HYD INST
35	41014.12	RAM
37	41015.03	RAM ASSY
39	41322.02	RAM
41	7191072	RAM

* optional component

Publication 651
July 2010
Part No. 22674.51

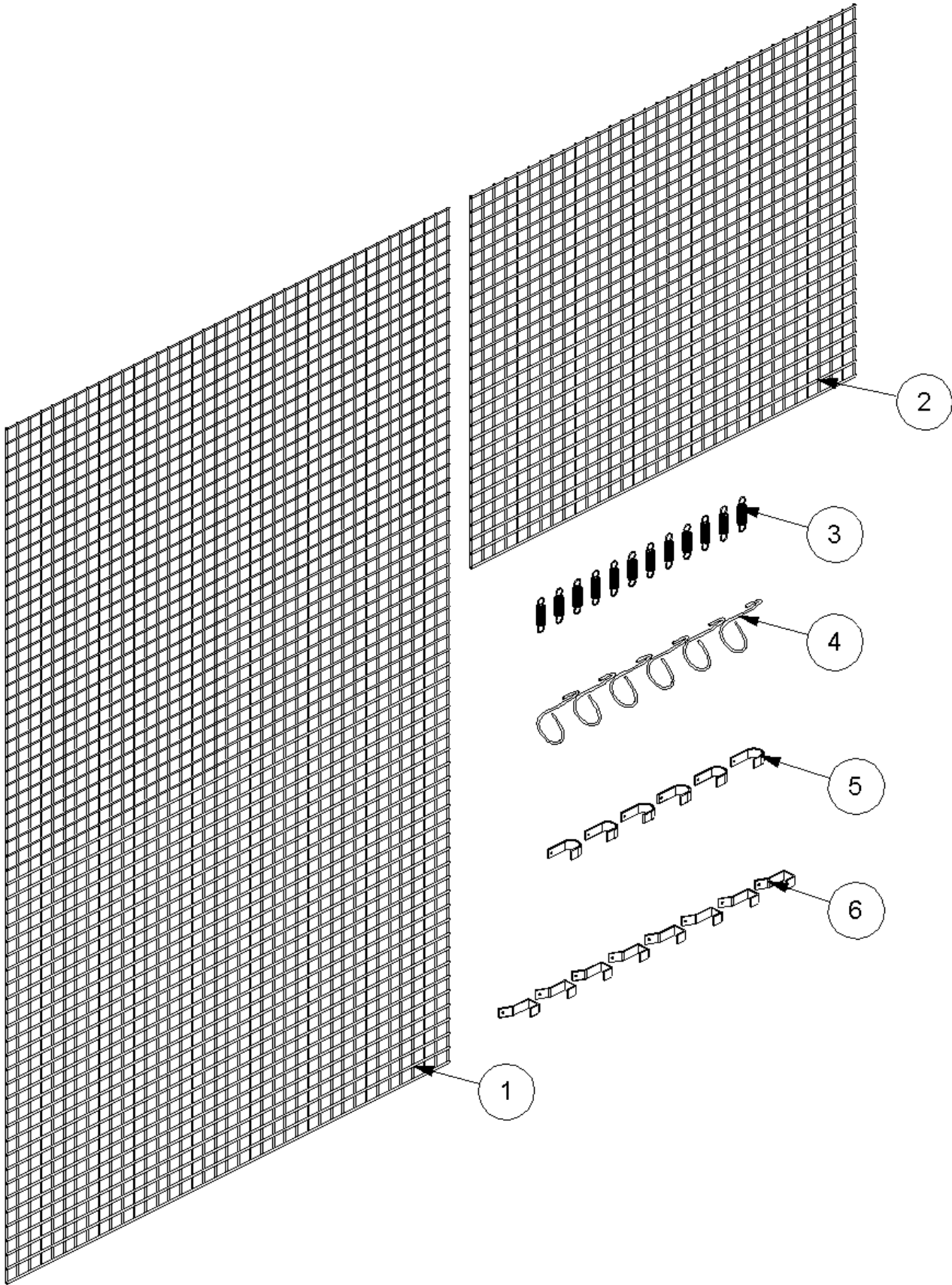


McCONNEL

PA3430 / PA4330 Series COMPACT TRIMMER / MOWER

Operator Manual

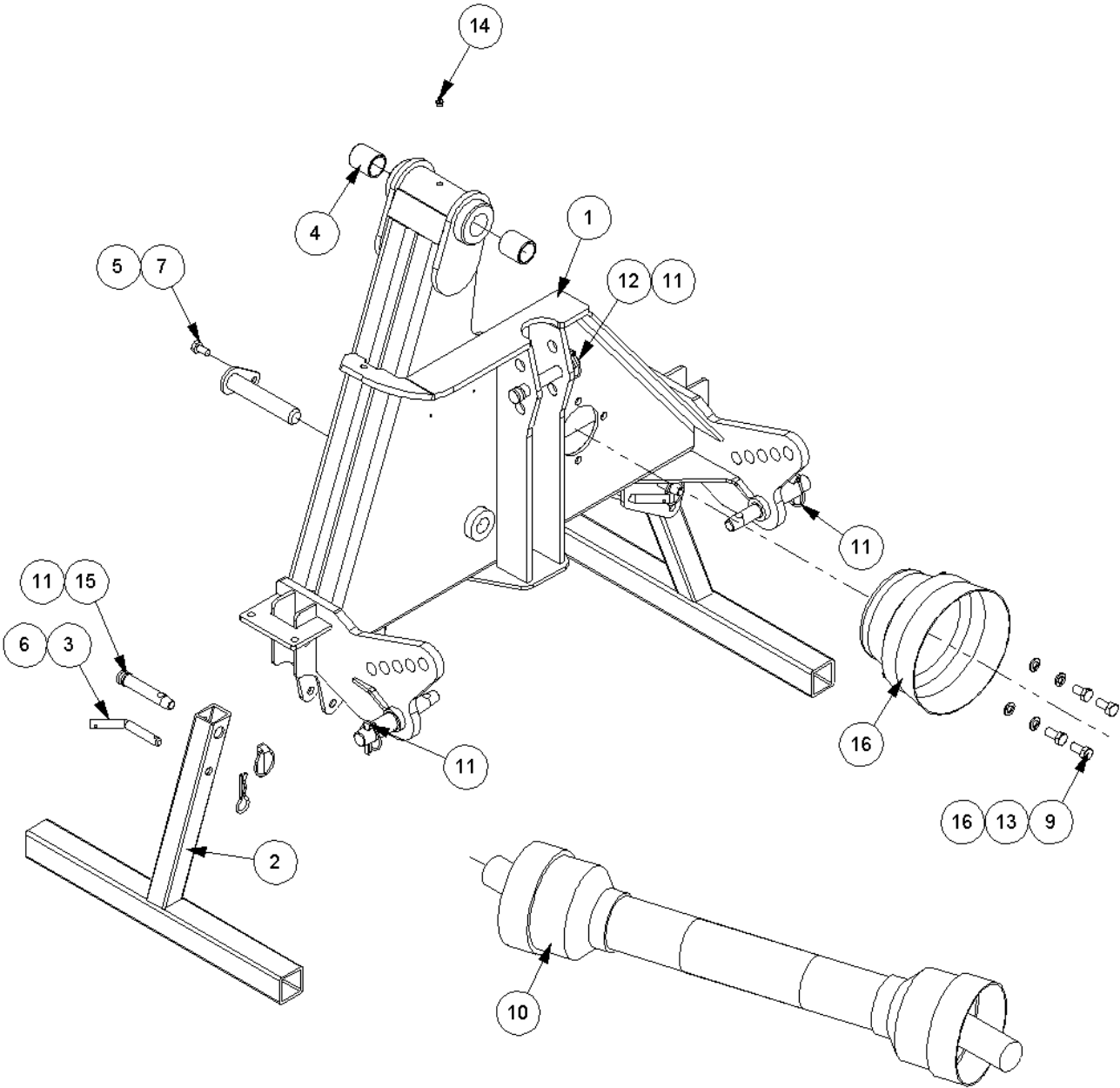




7313324 D - GUARD KIT

Ref	Part No	Description	Qty
1	7313049	GUARD PANEL	1
2	7313050	GUARD PANEL	1
3	6001064	SPRING	12
4	6001065	HOOK	6
5	41587.01	GUARD HOOK	6
6	41745.01	HOOK	8

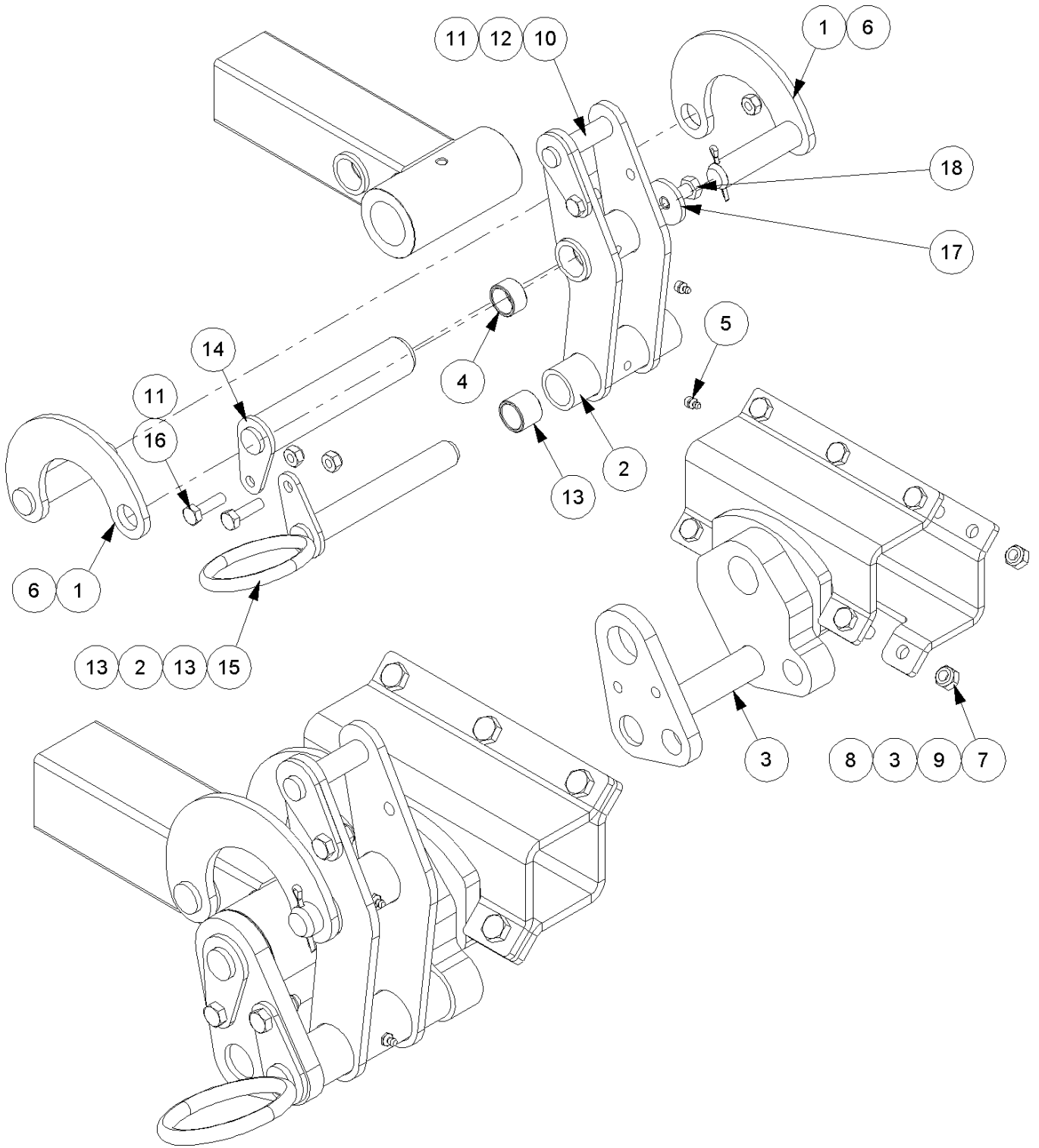
743450 D - MAIN FRAME MODULE



7434500 D - MAIN FRAME MODULE

Ref	Part No	Description	Qty
1	22852.01	MAIN FRAME W/ASSY	1
2	41203.05	LEG	2
3	1090051	PIN	2
4	21149.01	BUSH	2
5	41267.02	PIN	1
6	0431105	PIN	2
7	9313045	SCREW	1
8	9313046	SCREW	1
9	9313056	SCREW	3
10	7114289	PTO SHAFT	1
11	0431217	PIN	5
12	6310202	PIN	1
13	9100206	WASHER	4
14	0901121	GREASER	1
15	T8117	PIN	2
16	42694.04	GUARD	1

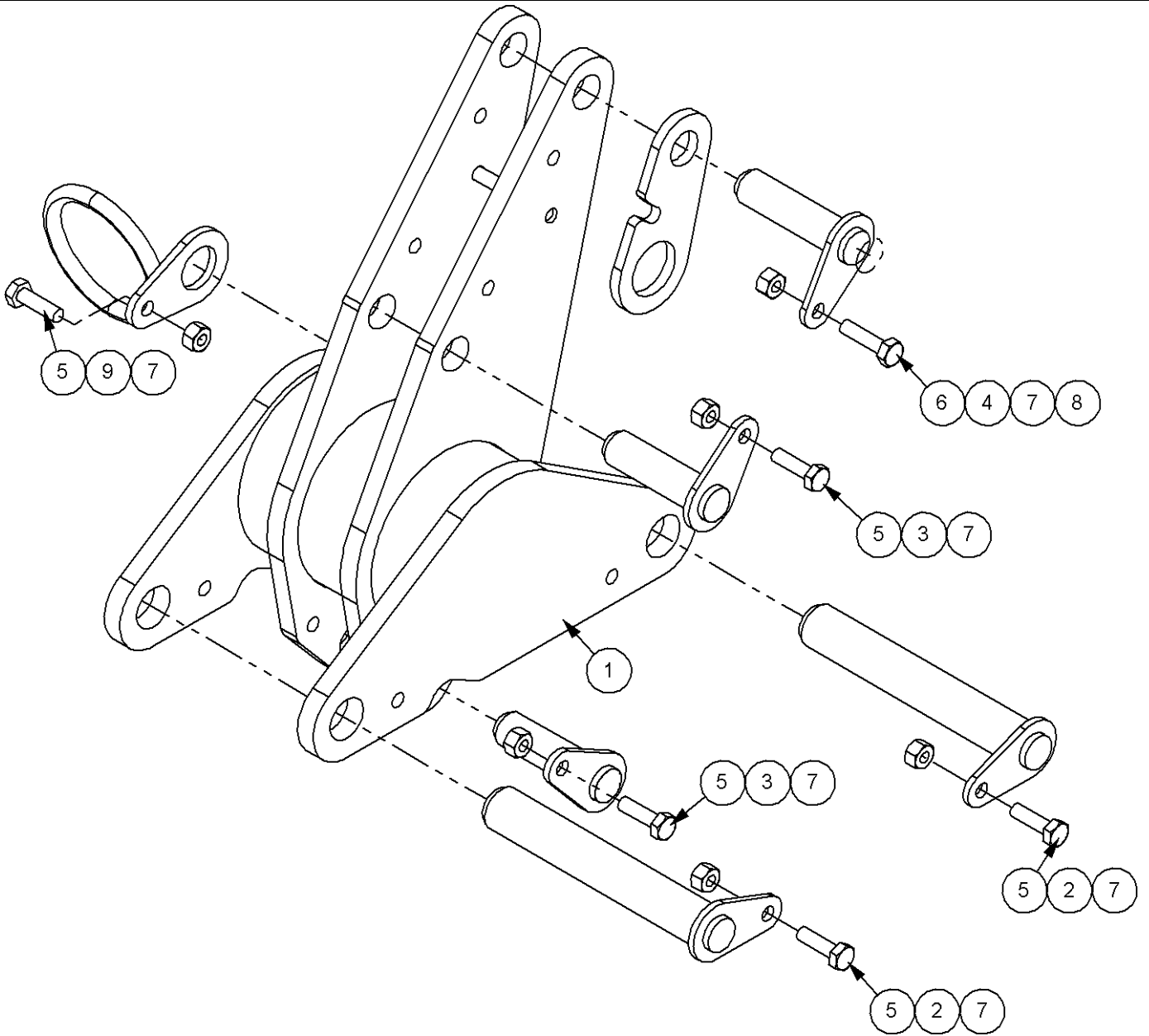
7434511 C - ANGLING GEAR



7434511 C - ANGLING GEAR

Ref	Part No	Description	Qty
1	41206.02	RADIUS ARM TYPE 2	2
2	41207.03	SLAVE LINK W/ASSY	1
3	41261.15	BRACKET -RH	1
4	7214060	BUSH	2
5	0901121	GREASER	2
6	9501406	PIN	2
7	9163006	NUT	5
8	9313086	SCREW	5
9	21873.01	PLATE	1
10	41270.01	PIN	1
11	9163005	NUT	3
12	9313055	SCREW	1
13	41690.01	BUSH	2
14	21971.02	PIN	1
15	21970.02	PIN W/ASSY	1
16	9313075	SCREW	2
17	05.234.01	WASHER	1
18	9300149	SCREW	1

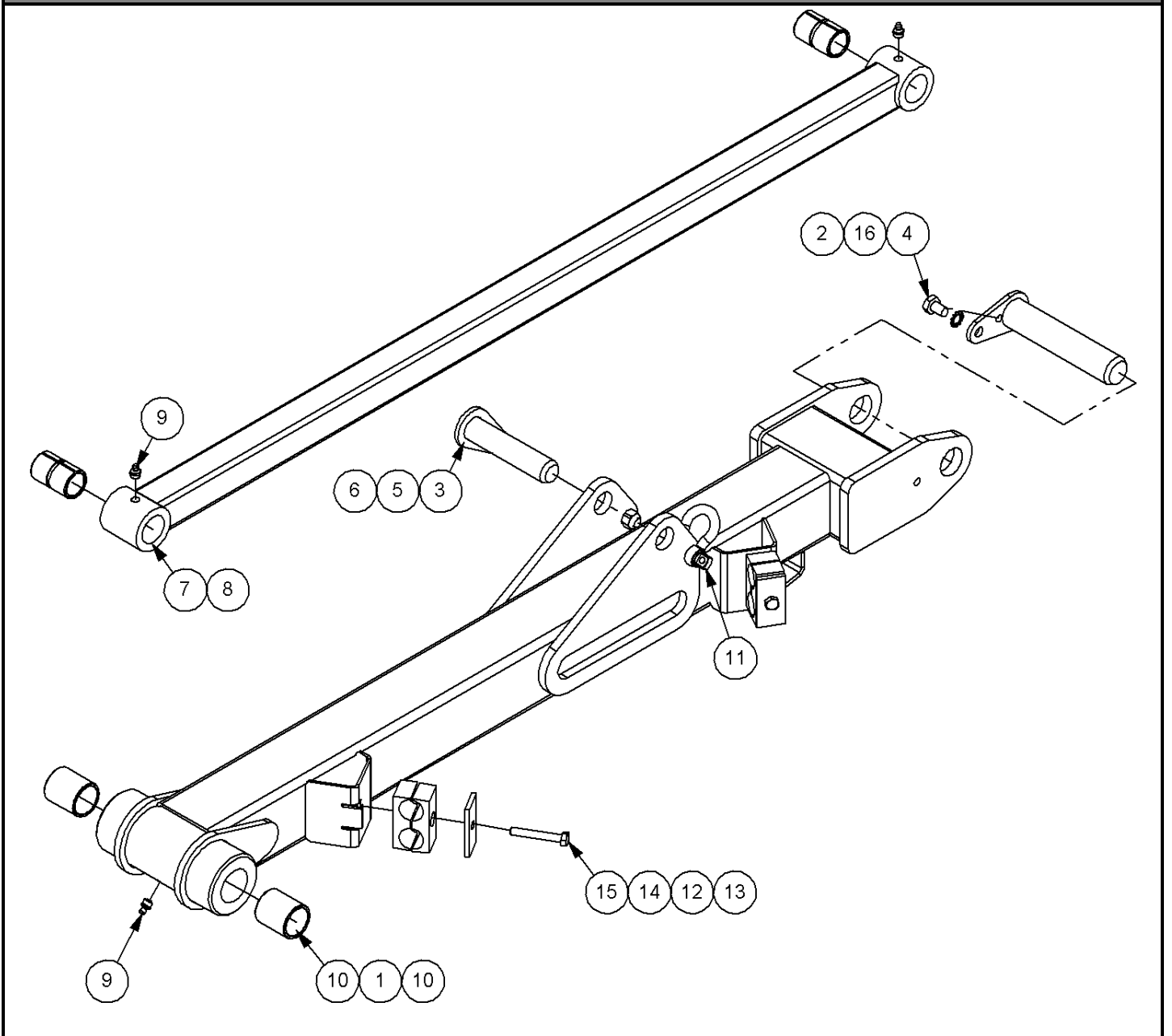
7434514 - ROCKER MODULE



7434514 - ROCKER MODULE

Ref	Part No	Description	Qty
1	41198.08	ROCKER W/ASSY	1
2	41268.02	PIN	2
3	41267.09	PIN W/ASSY	2
4	41267.03	PIN	1
5	9313075	SCREW	5
6	9313085	SCREW	1
7	9163005	NUT	6
8	22667.02	SLINGING EYE	1
9	43158.02	HOSE LOOP W/ASSY	1

7434516 - MAIN ARM MODULE



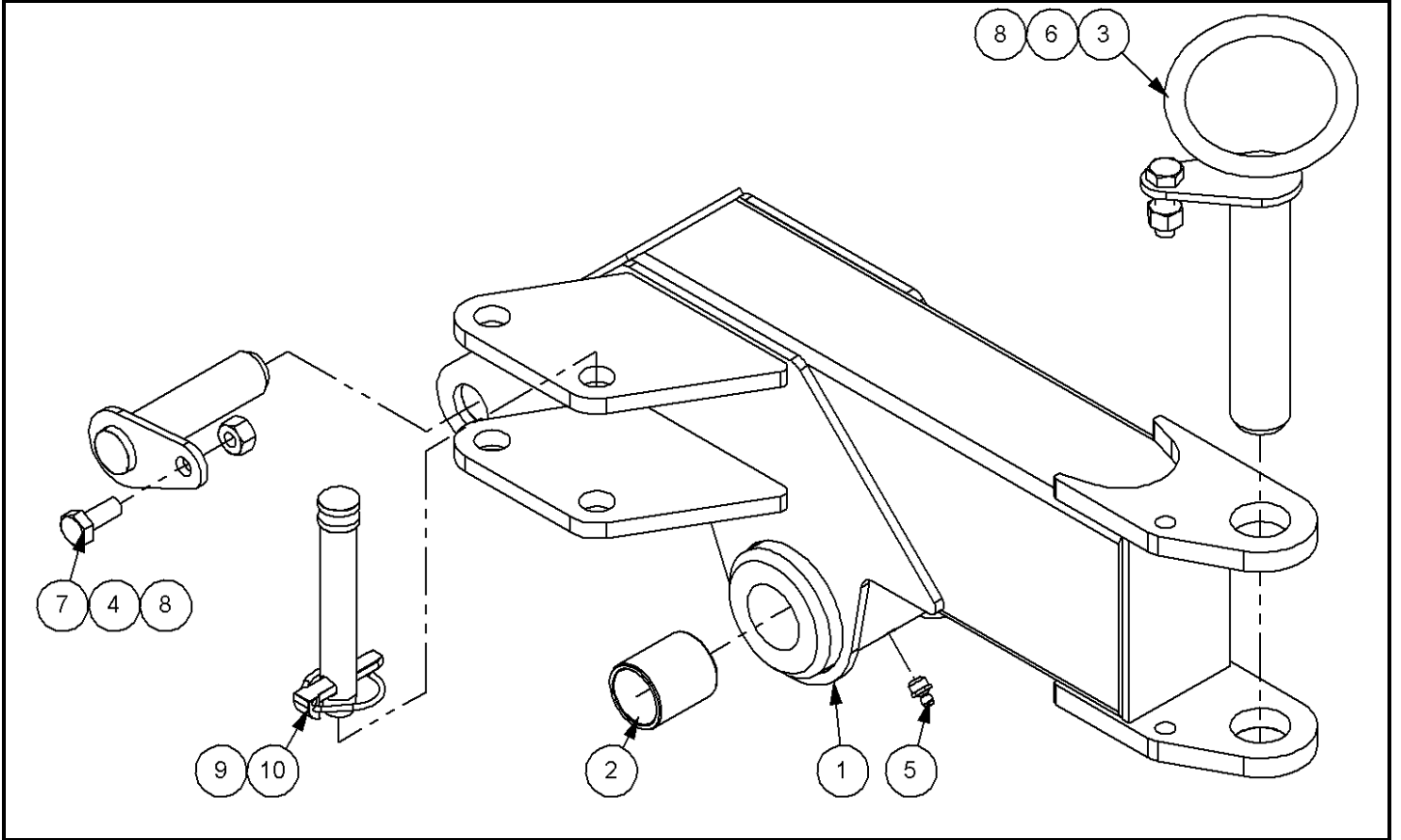
7434516 - MAIN ARM MODULE

Ref	Part No	Description	Qty
1	41199.10	W/ASSY MAIN ARM	1
2	41268.01	PIN	1
3	41267.04	PIN	1
4	9313035	SCREW	1
5	9313065	SCREW	1
6	9163005	NUT	1
7	22887.01	TENSION LINK	1
8	7105050	BUSH	2
9	0901121	GREASER	3
10	21149.01	BUSH	2
11	22668.02	SLINGING SHACKLE	1
12	06.430.09	CLAMP (2 PCS)	2
13	9163004	NUT	2
14	06.418.03	PLATE	2
15	9213114	BOLT	2
16	9100405	WASHER	1

743452260 - HOSE KIT

Ref	Part No	Description	Qty
1	10.081.54	5/8" BSP HOSE	2
2	10.002.37	HOSE	1
3	10.002.36	HOSE	1
4	10.001.47	HOSE	2
5	10.002.47	HOSE	1
6	10.002.39	HOSE	2

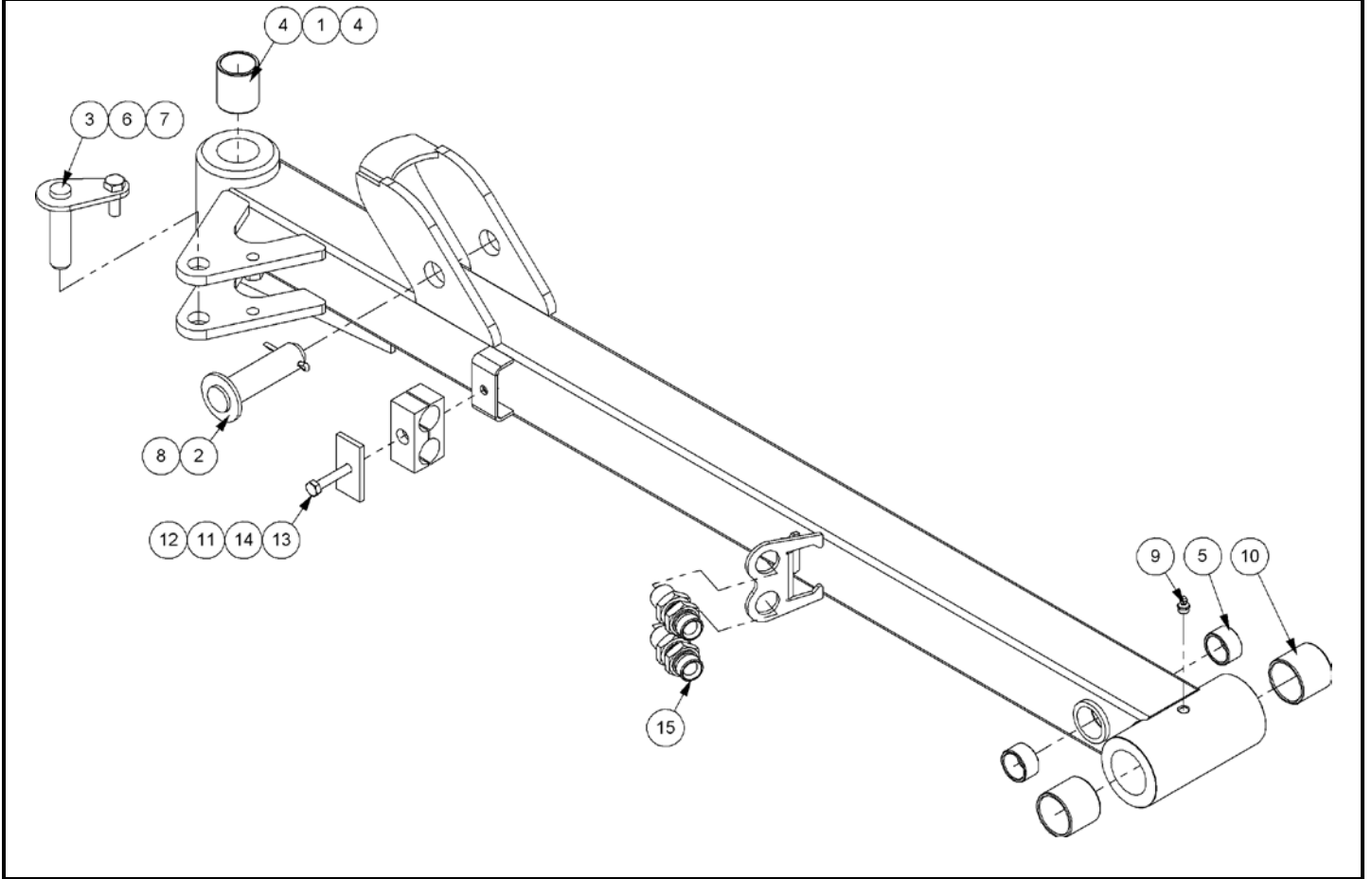
7434525 - DIPPER MODULE



7434525 - DIPPER MODULE

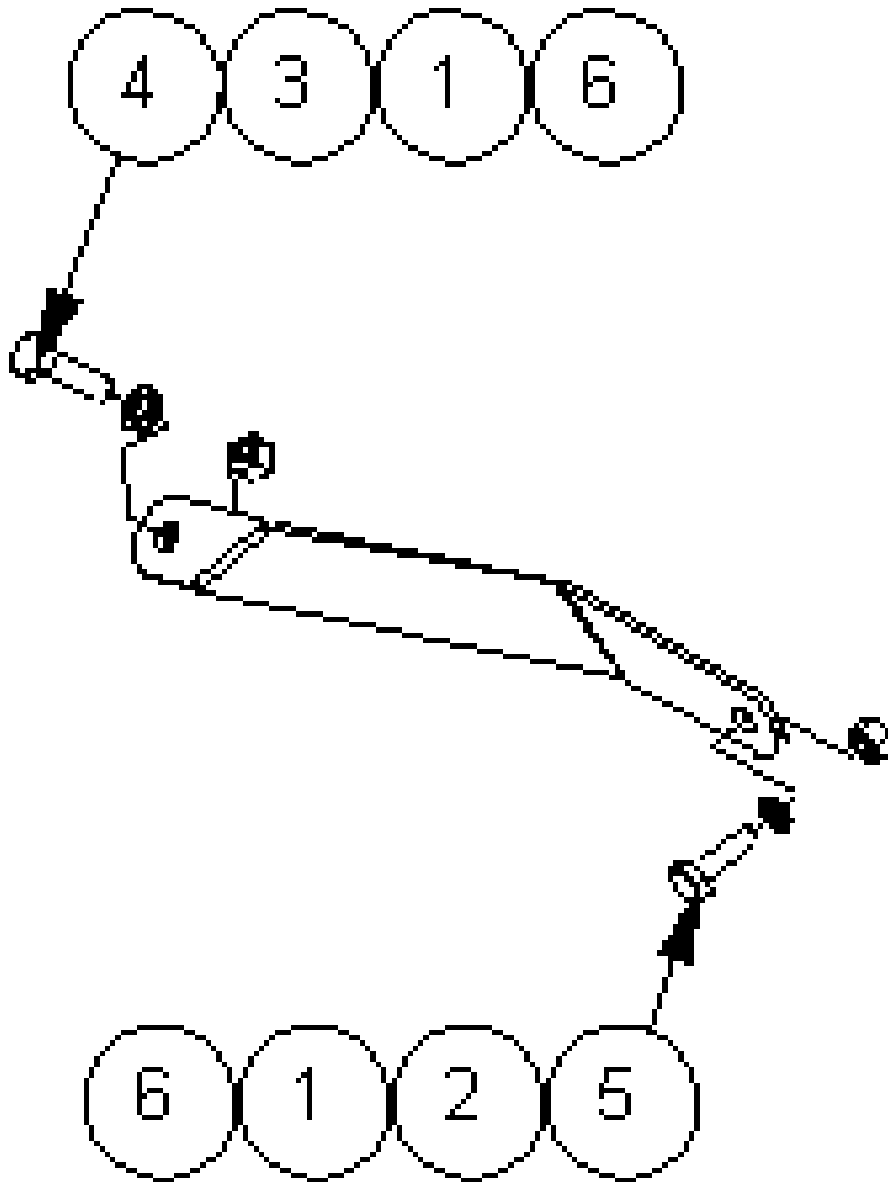
Ref	Part No	Description	Qty
1	41201.08	W/ASSY DIPPER UPPER	1
2	21149.01	BUSH	2
3	41269.01	PIN	1
4	41267.03	PIN	1
5	0901121	GREASER	1
6	9313075	SCREW	1
7	9313055	SCREW	1
8	9163005	NUT	2
9	6310202	PIN	1
10	0431217	PIN	1

7434533 - MODULE DIPPER RH



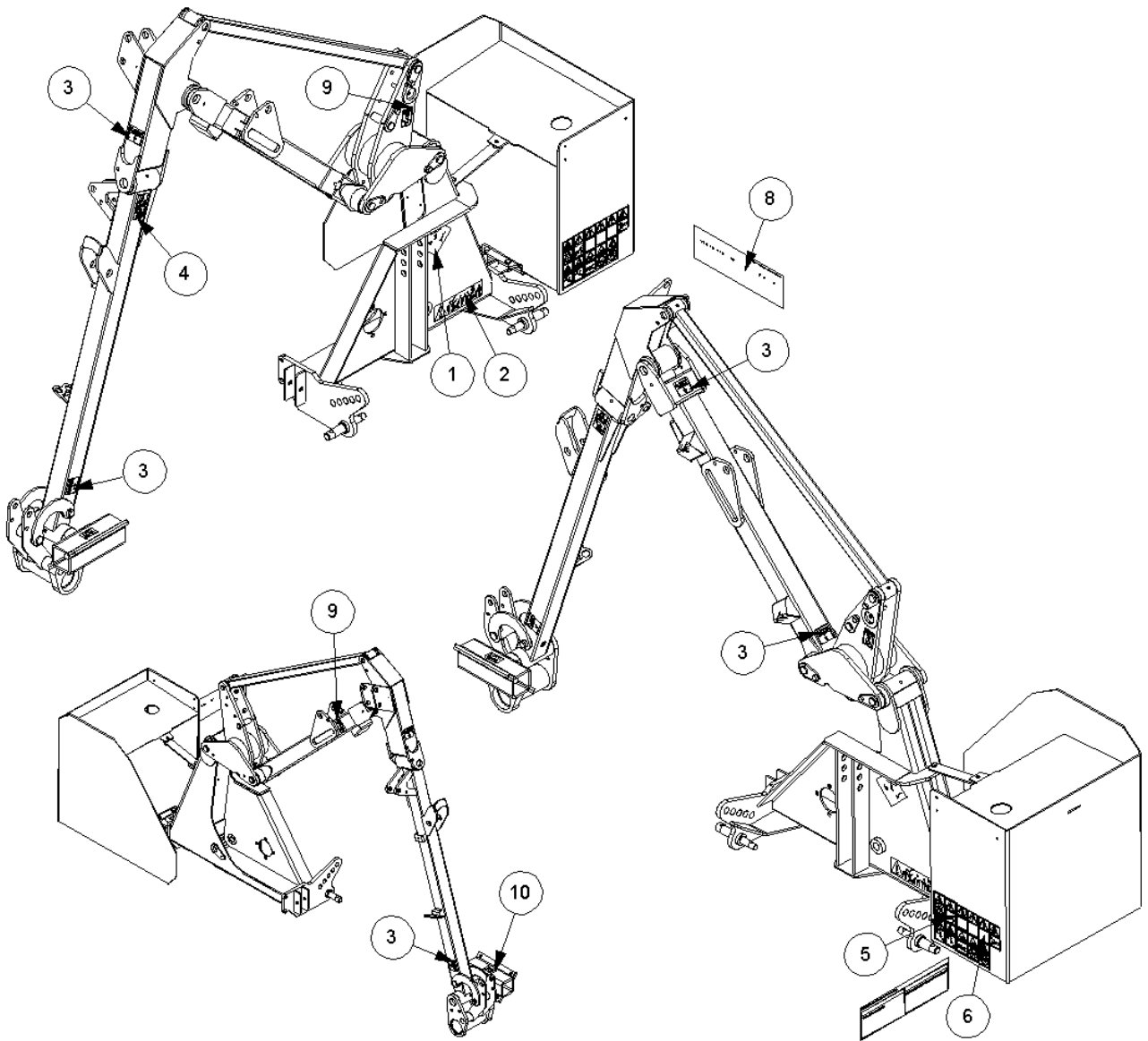
7434533 - MODULE DIPPER RH

Ref	Part No	Description	Qty
1	41202.06	ARM -RH	1
2	7191041	PIN	1
3	41270.01	PIN	1
4	21149.01	BUSH	2
5	7214060	BUSH	2
6	9313065	SCREW	1
7	9163005	NUT	1
8	9501406	PIN	1
9	0901121	GREASER	3
10	7213023	BUSH	2
11	06.430.09	CLAMP (2 PCS)	1
12	9163004	NUT	1
13	9213114	BOLT	1
14	06.418.03	PLATE	1



7434576 - PACKING KIT

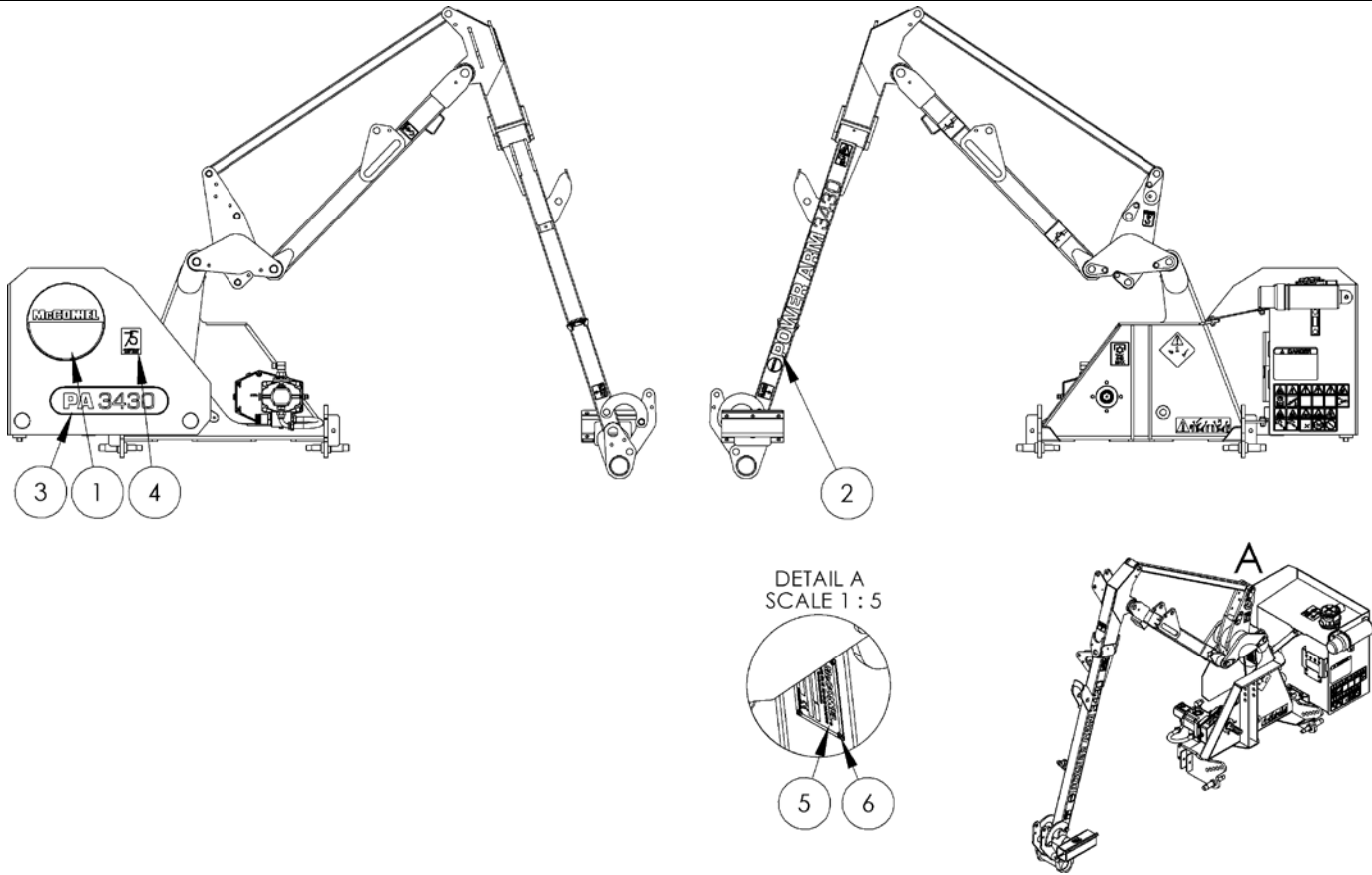
Ref	Part No	Description	Qty
1	22852.53	PACKING STRAP	1
2	9100205	WASHER	1
3	9100206	WASHER	1
4	9313086	SCREW	1
5	9313075	SCREW	1
6	9163005	NUT	2



7434579 - DECAL KIT

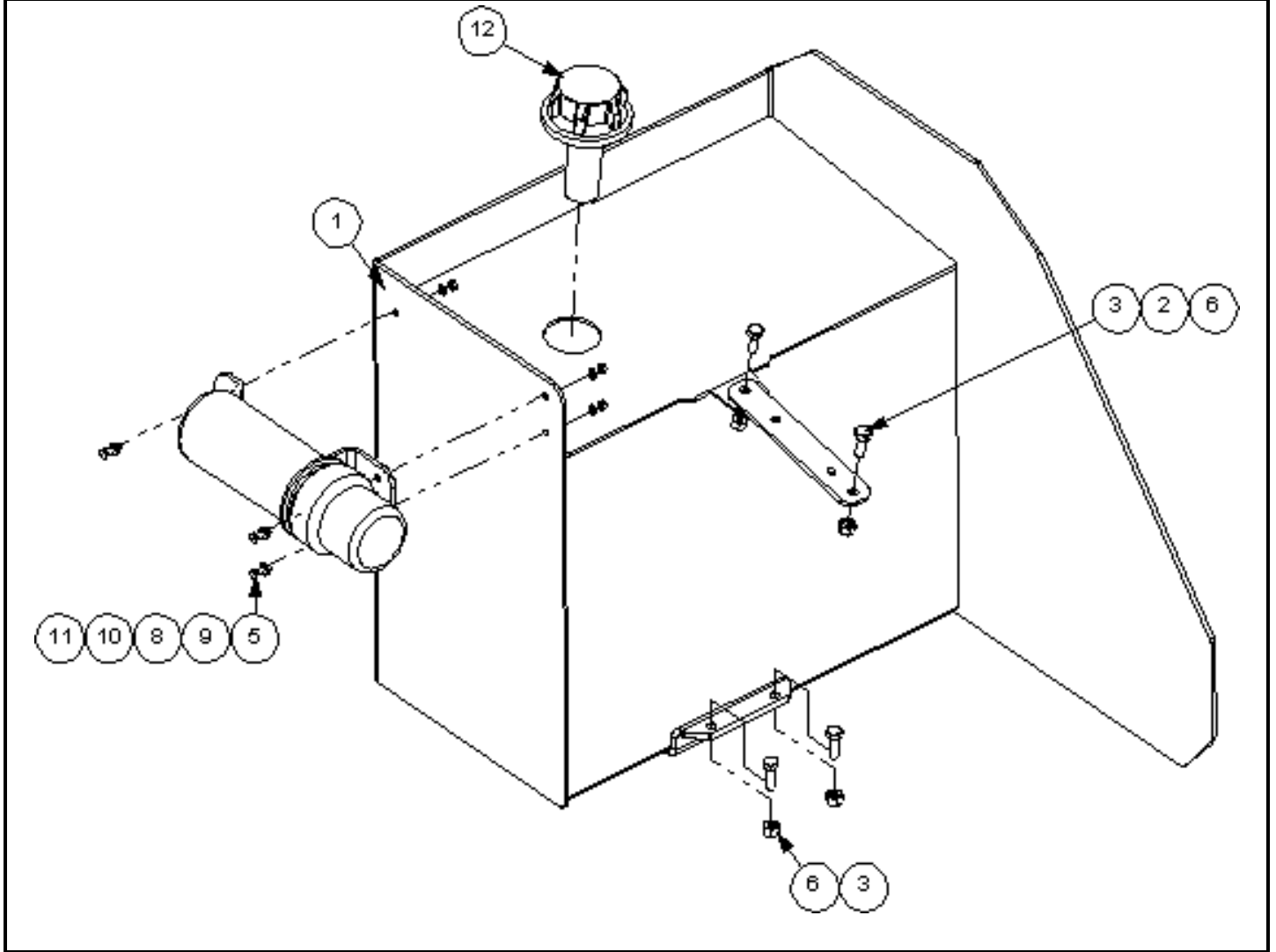
Ref	Part No	Description	Qty
1	7105130	DECAL	1
2	7135295	DECAL	1
3	02962764	DECAL	6
4	1290746	DECAL	1
5	09.821.35	DECAL	1
6	09.821.28	DECAL	1
7	09.821.32	DECAL	1
8	1290352	DECAL	1
9	09.843.05	DECAL	2
10	21917.06	DECAL	1

7434584 - PA3430 MCC DECAL KIT



7434584 - PA3430 MCC DECAL KIT

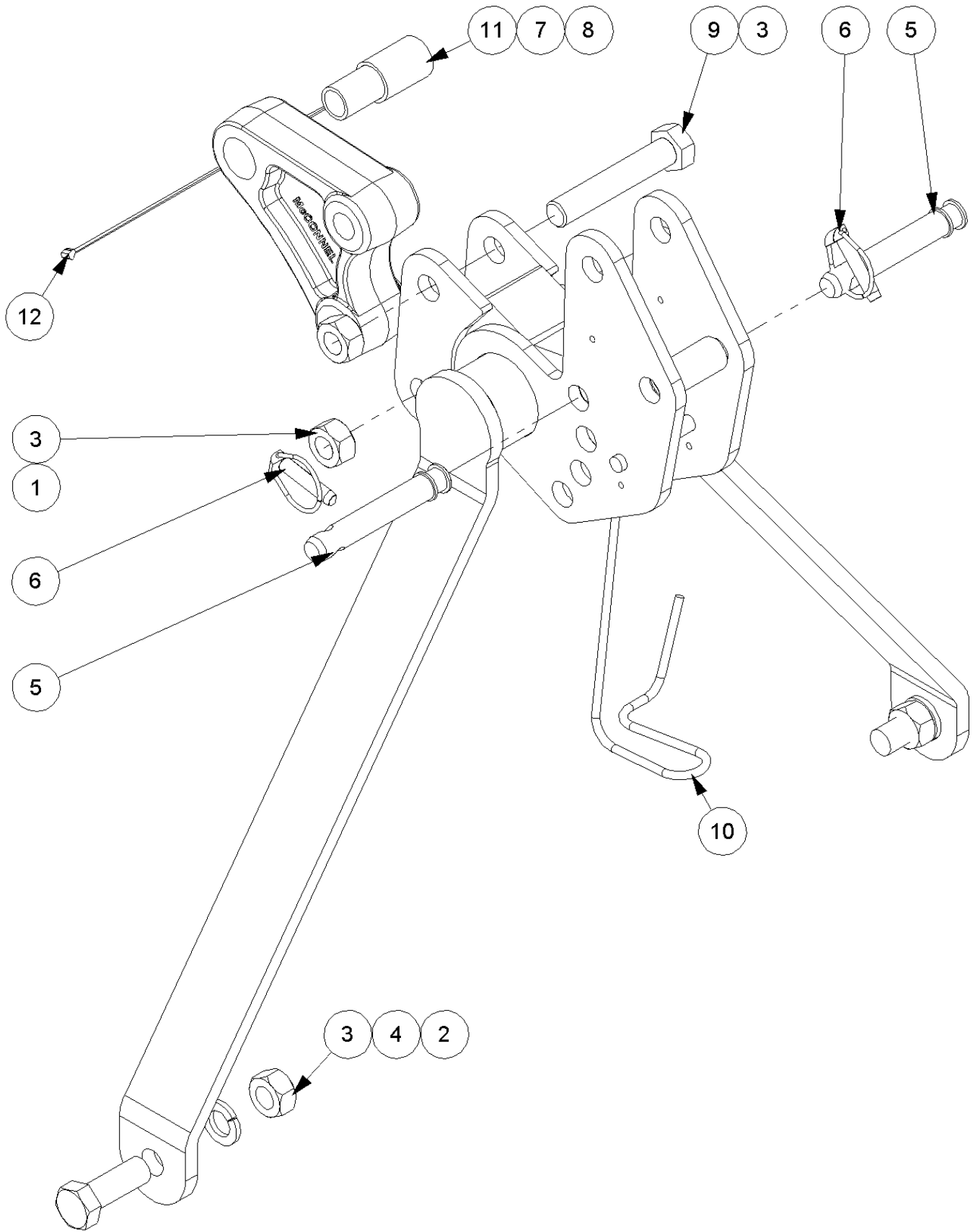
Ref	Part No	Description	Qty
1	1290870	DECAL	1
2	1290869	DECAL	1
3	1290868	DECAL	1
4	1290873	75TH ANN DECAL	1
5	1335246	SERIAL NO.PLATE	1
6	7103230	RIVET	4
7	45671.01	REFLECTOR	2



7434602 C - DUMMY TANK MOD LH

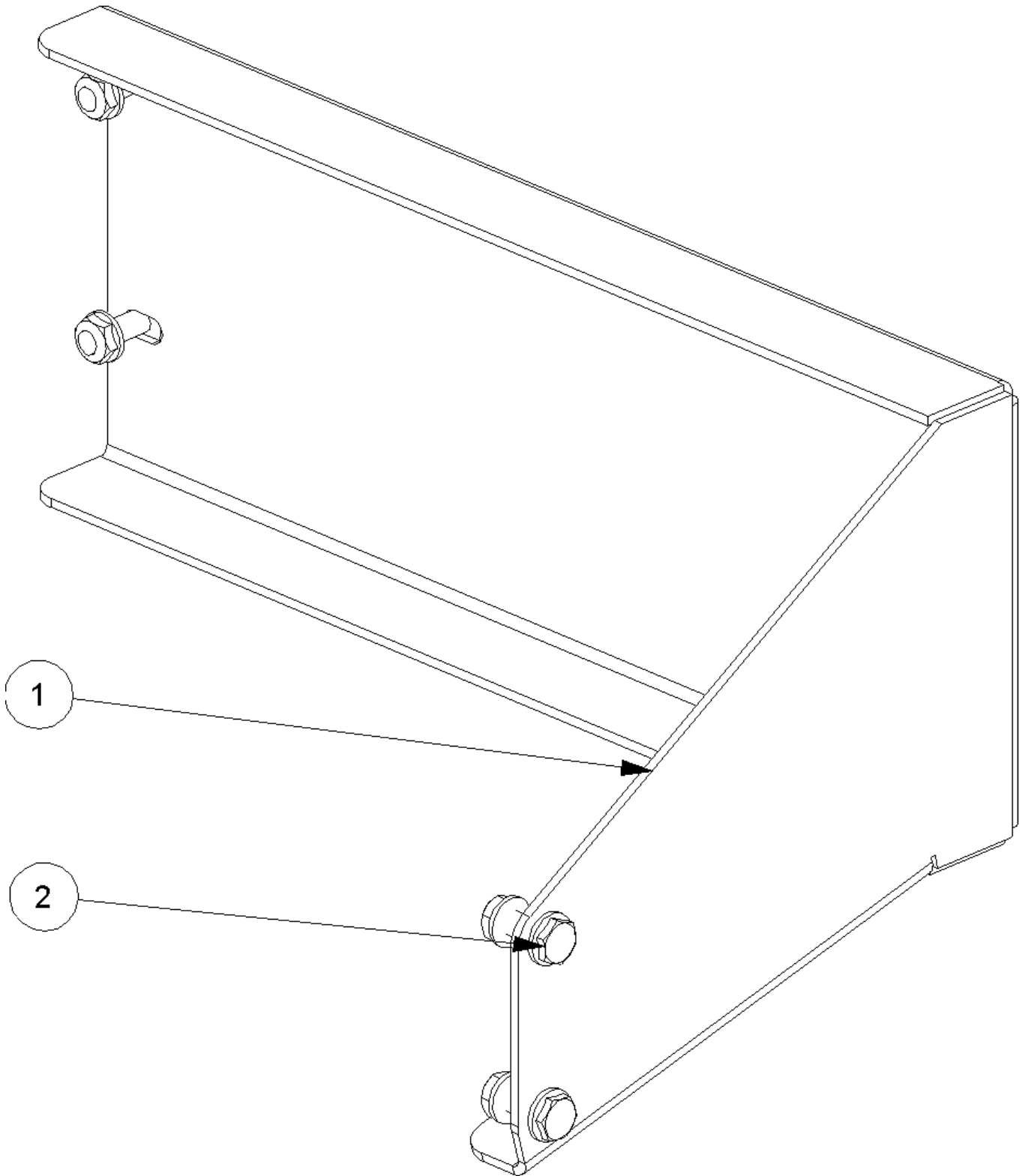
Ref	Part No	Description	Qty
1	41196.20	DUMMY TANK W/ASSY	1
2	41196.85	TANK STRAP	1
3	9313065	SCREW	3
4	9313055	SCREW	1
5	9313043	SCREW	3
6	9163005	NUT	4
8	46505.01	HOLDER	1
9	9100103	WASHER	3
10	9100203	WASHER	3
11	9113003	NUT	3
12	8401050	BREATHER	1

7434627 B - STABILIZER KIT



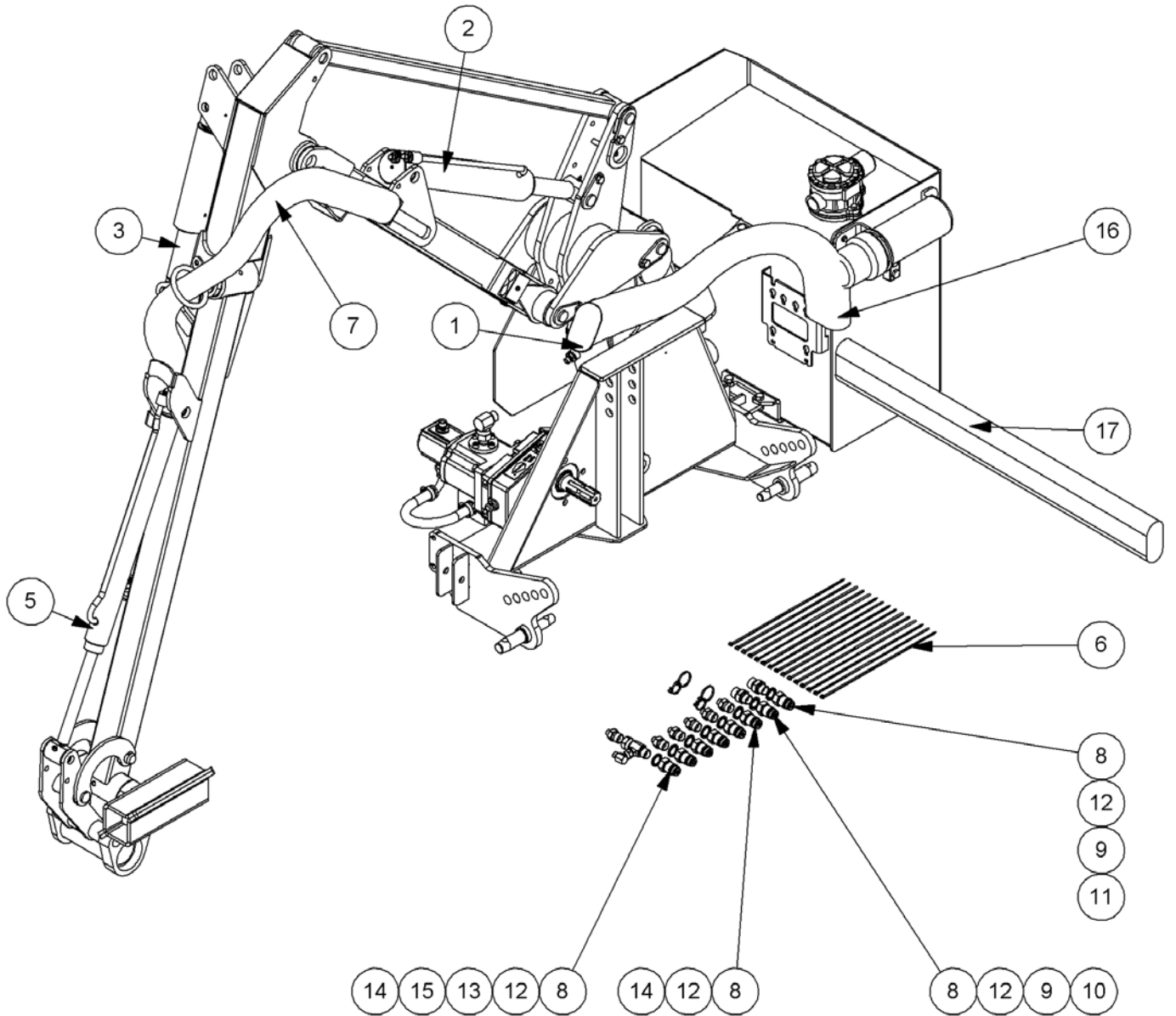
7434627 B - STABILIZER KIT

Ref	Part No	Description	Qty
1	41205.18	STABILIZER	1
2	9313118	SCREW	2
3	9113008	NUT	4
4	9100208	WASHER	2
5	T1657	PIN - LINKAGE	2
6	0431217	PIN	2
7	1467063	SLEEVE	2
8	7499506C	STABILIZER TONGUE	1
9	9213228	BOLT	2
10	21160.03	HOOK	1
11	21883.01	SLEEVE CAT 2-3	1
12	7196045	HOSE TIE	1



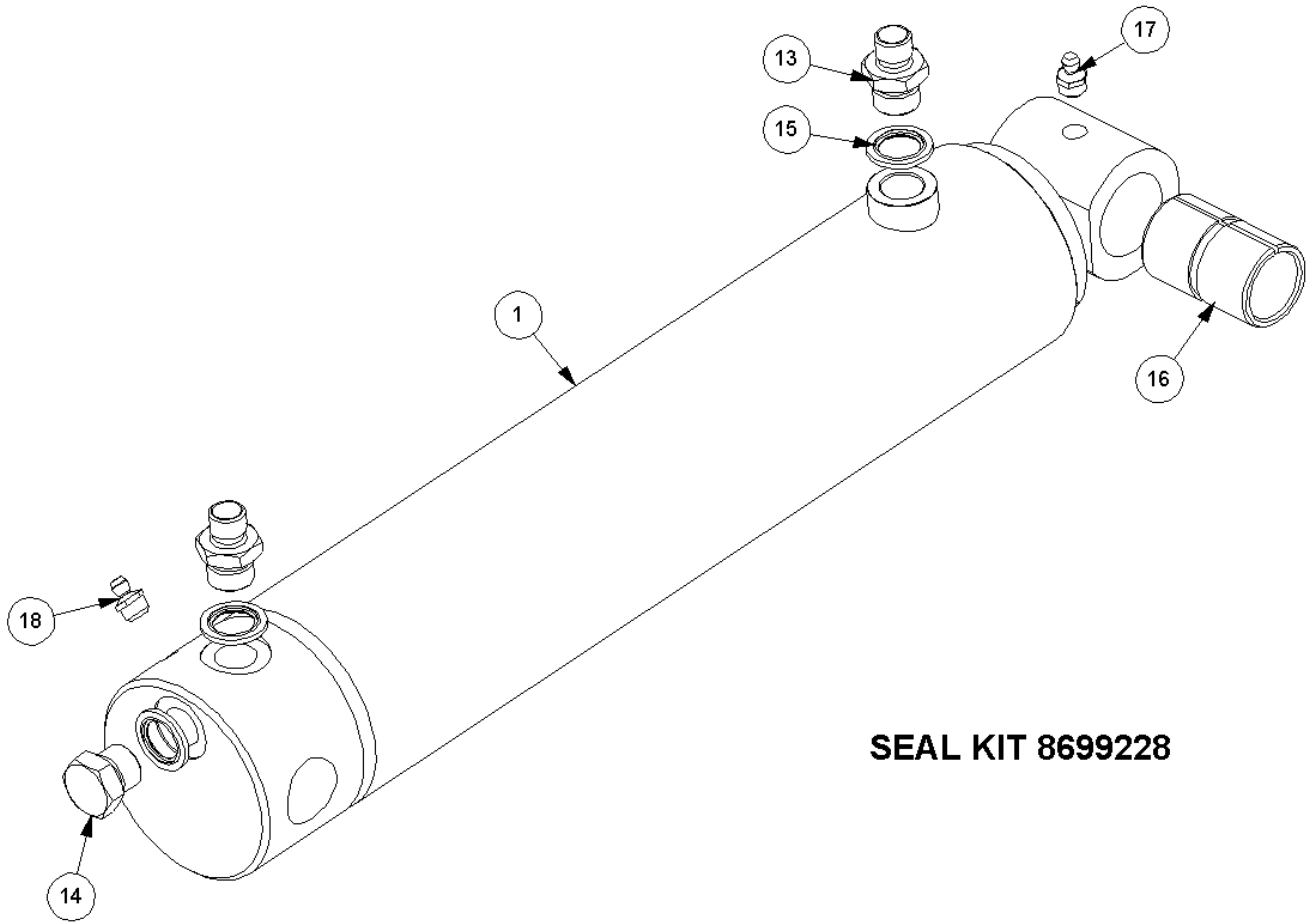
7434673 - GUARD MODULE

Ref	Part No	Description	Qty
1	41196.92	PLATE	1
2	9413065	SCREW & NUT	4



7434689 - HYD INST

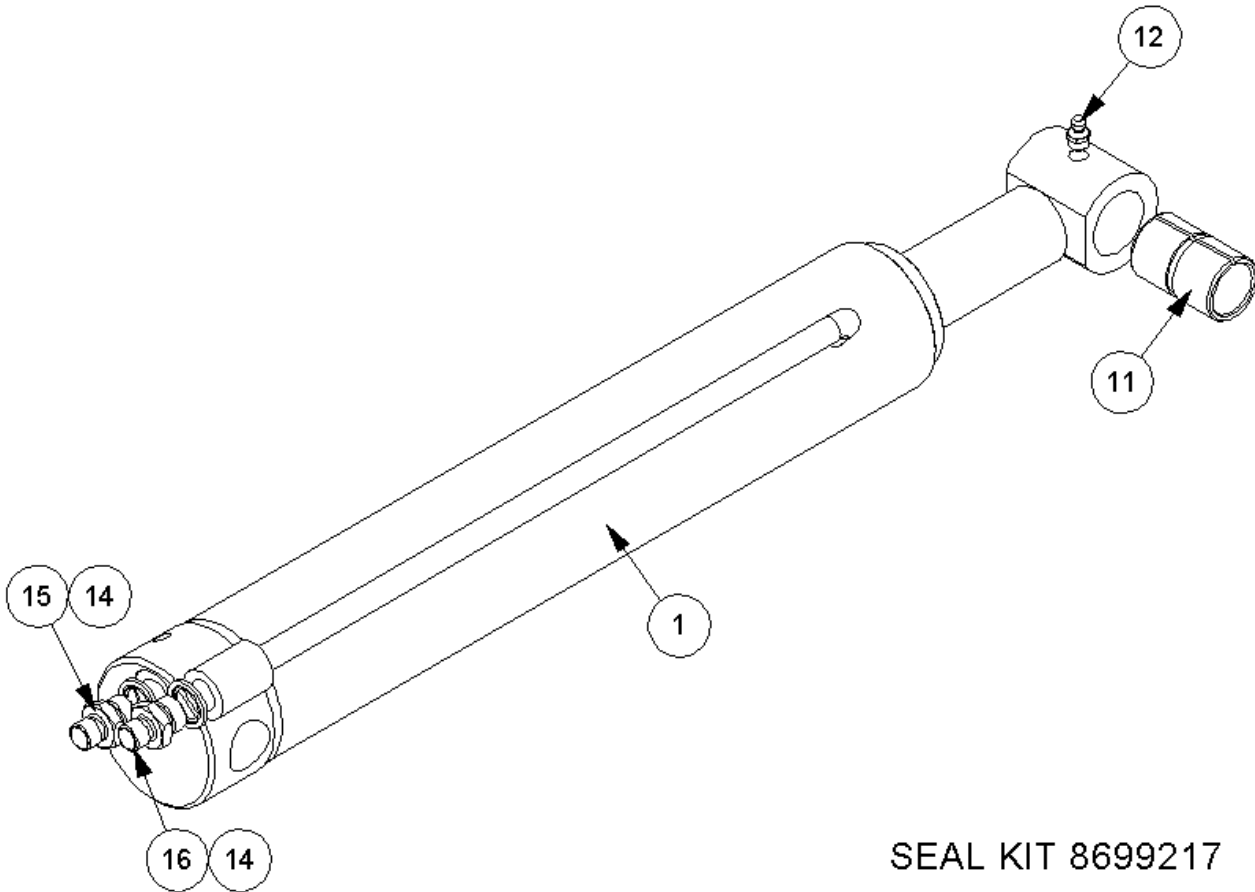
Ref	Part No	Description	Qty
1	41014.12	RAM	1
2	41015.03	RAM ASSY	1
3	41322.02	RAM	1
4	3812119	ADAPTOR	2
5	7191072	RAM	1
6	7196045	HOSE TIE	15
7	22591.21	HOSE SLEEVING	1
8	8590074	COUPLING	8
9	G3812120	ADAPTOR	2
10	22941.02	BLUE CABLE TIE 150MM	2
11	22941.01	RED CABLE TIE 150MM	2
12	8650104	SEAL	8
13	04.056.25	ADAPTOR	1
14	01.099.03	ADAPTOR	6
15	8581190	ADAPTOR	1
16	22590.20	HOSE SLEEVING	1
17	22590.19	HOSE SLEEVING	1



41014.12 C - RAM

Ref	Part No	Description	Qty
1	41014.12AP	LIFT/REACH RAM	1
1	41014.12P	RAM -PAINTED	0
13	8130048	RESTRICTOR	2
14	8003001	PLUG	1
15	8650103	SEAL	3
16	7105050	BUSH	1
17	0901121	GREASER	1
18	0901124	GREASER	1

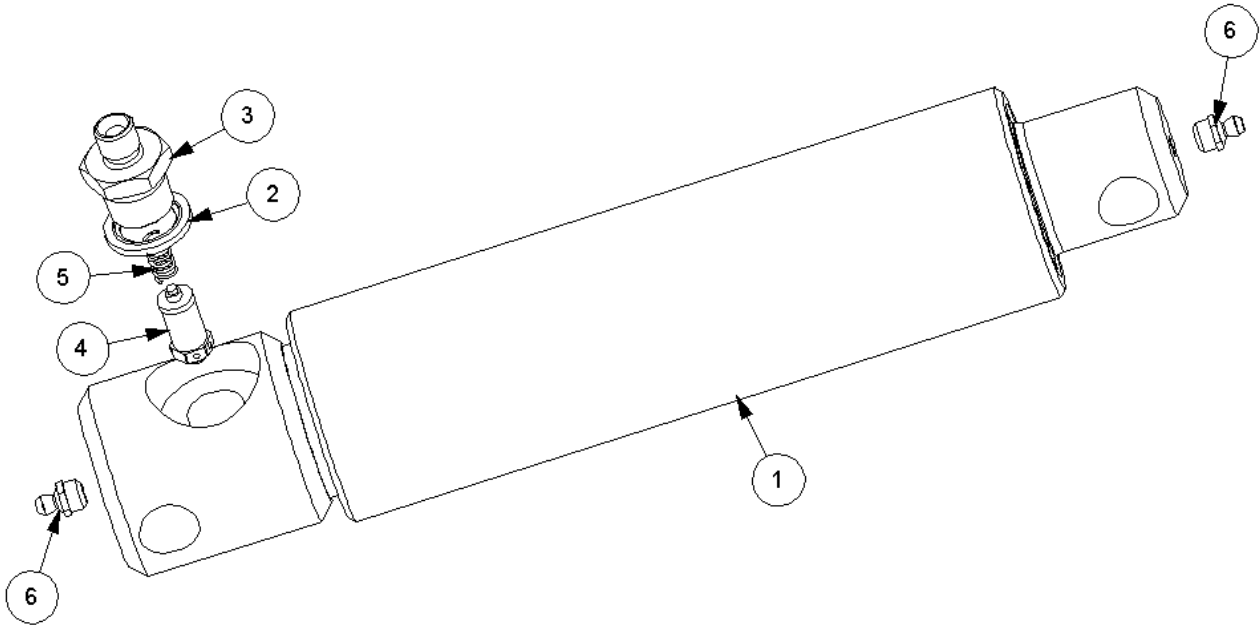
41015.03 B - RAM ASSY



SEAL KIT 8699217

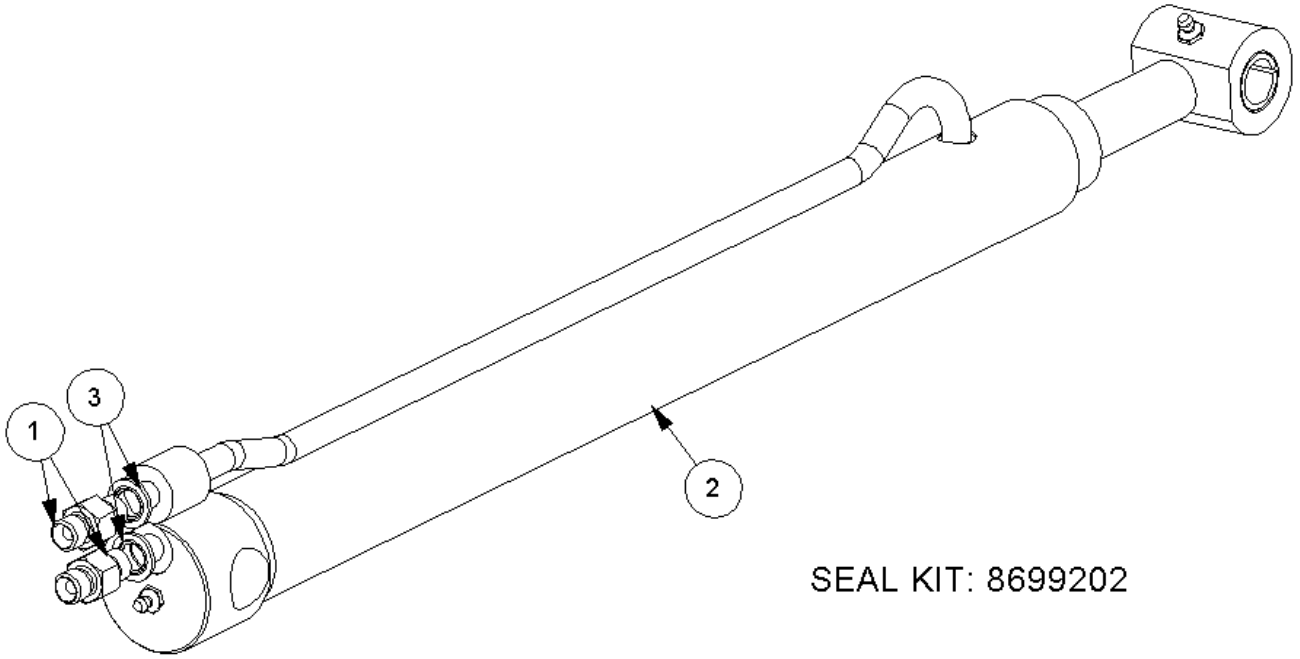
41015.03 B - RAM ASSY

Ref	Part No	Description	Qty
1	41015.03AP	RAM ASSY	1
1	41015.03P	RAM -PAINTED	0
7	8699217	SEAL KIT	0
11	7105050	BUSH	1
12	0901121	GREASER	1
14	8650103	SEAL	2
15	8130046	RESTRICTOR	1
16	8130066	RESTRICTOR	1



41322.02 - RAM

Ref	Part No	Description	Qty
1	7198292AP	RAM	1
1	7198292P	RAM -PAINTED	0
2	8650104	SEAL	1
3	8130083	BODY	1
4	8130189	VALVE	1
5	8116011	SPRING	1
6	0901121	GREASER	2



SEAL KIT: 8699202

7191072 B - RAM

Ref	Part No	Description	Qty
1	7191295	RAM	1
1	8130037	RESTRICTOR	2
3	8650102	SEAL	2
4	8699202	SEAL KIT	0



McConnel Limited, Temeside Works, Ludlow, Shropshire SY8 1JL. England.
Telephone: 01584 873131. Facsimile: 01584 876463. www.mcconnel.com