

# TE480 Model Parts Manual

Pub.519      May 2007  
(Rev.20.01.14)

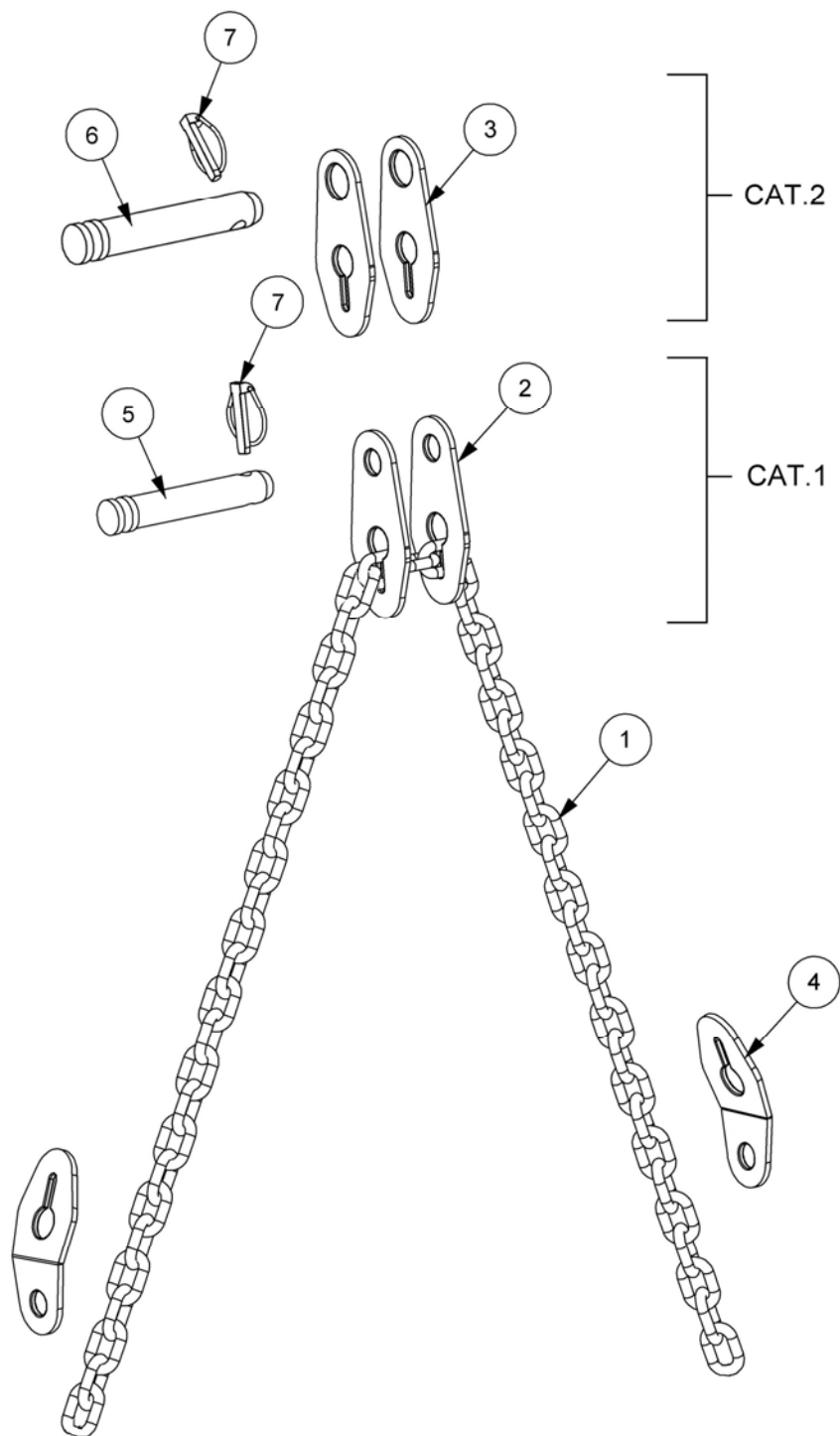


# INDEX

	<b>Page No.</b>
Stabiliser Kits	1
Main Frame Assembly	4
Hydraulic Tank Assembly	6
Main Arm Assembly	8
Dipper Arm Assembly	10
Head Angling Mechanism	12
Pump & Gearbox Assembly	14
Gearbox Assembly	16
Cable Control Valve Assembly	18
Rotor Control Valve Assembly	20
Lift Ram Assembly	22
Reach Ram Assembly	23
Angling Ram Assembly	24
Hydraulic Installation	25
Hydraulic Hose Kit	26
Decal Kit	27
Transport Strap Kit	28
ZD Series Flailheads ( <i>Machines to 01/12</i> )	29
1.2m & 1.5m BD Series Flailheads ( <i>Machines 01/12 onwards</i> )	45



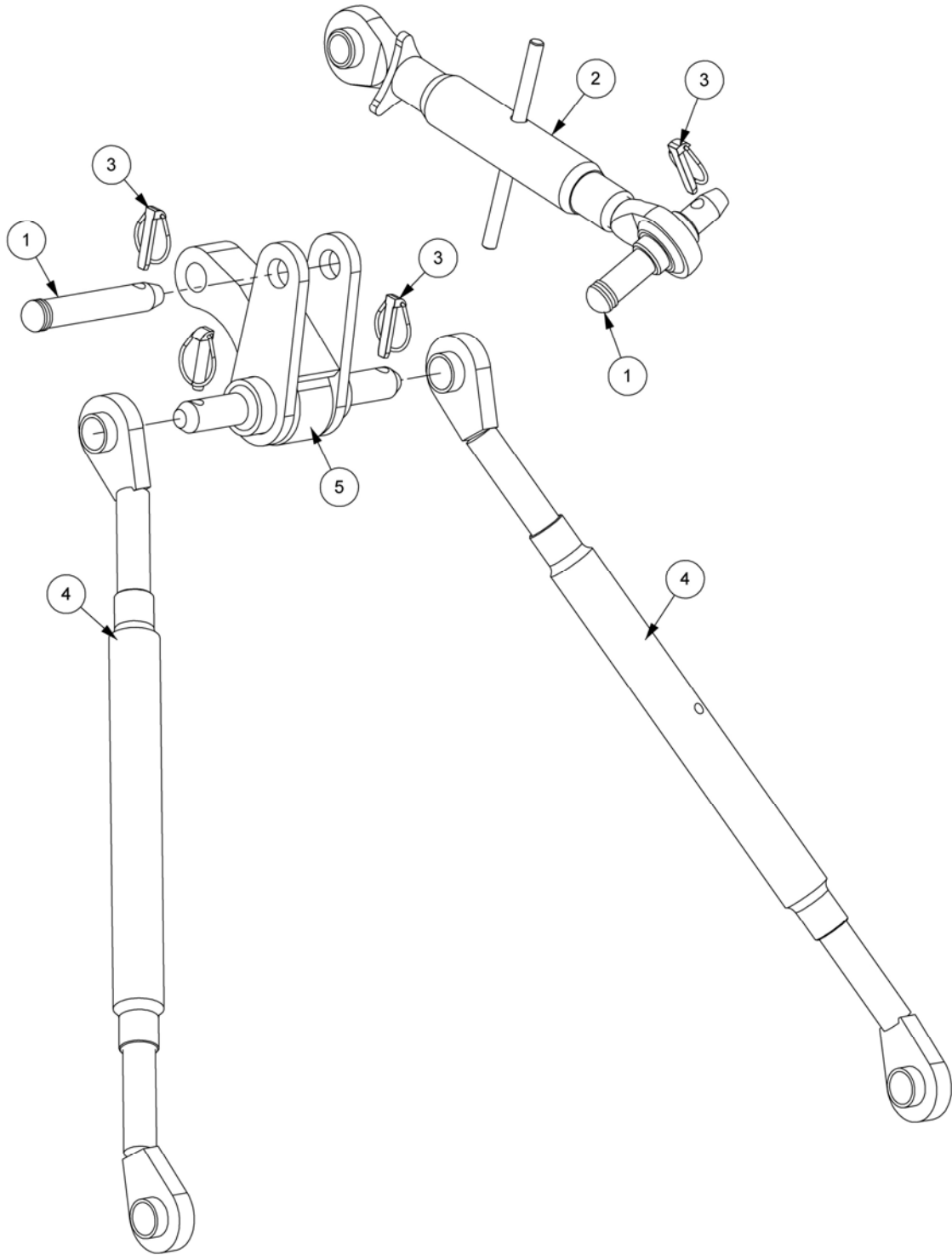
# STABILISER KIT – CHAIN TYPE



REF.	QTY.	PART No.	DESCRIPTION
		<b>212.213</b>	<b>STABILISER KIT - Chain Type</b>
1	1	10.105.01	CHAIN (1800mm)
2	2	10.100.01	STABILISER PLATE - CAT1
3	2	09.999.01	STABILISER PLATE - CAT2
4	2	09.998.01	STABILISER PLATE
5	1	03.874.01	PIN
6	1	03.873.01	PIN
7	4	0431217	LINCH PIN - MEDIUM

**STABILISER KIT – LINK TYPE**

Module:  
212.251



**STABILISER KIT – LINK TYPE**

<b>REF.</b>	<b>QTY.</b>	<b>PART No.</b>	<b>DESCRIPTION</b>
		<b>212.251</b>	<b>STABILISER KIT ASSEMBLY</b>
1	2	03.873.01	PIN
2	1	07.584.02	TOP LINK ASSEMBLY
3	4	0431217	LINCH PIN
4	2	46938.01	TOP LINK STABILISER
5	1	199.396	TOP LINK COUPLER - Std.
	1	199.395	* TOP LINK COUPLER - Long Nose
	1	199.394	* TOP LINK COUPLER - Cat.3
			* <i>Not illustrated</i>

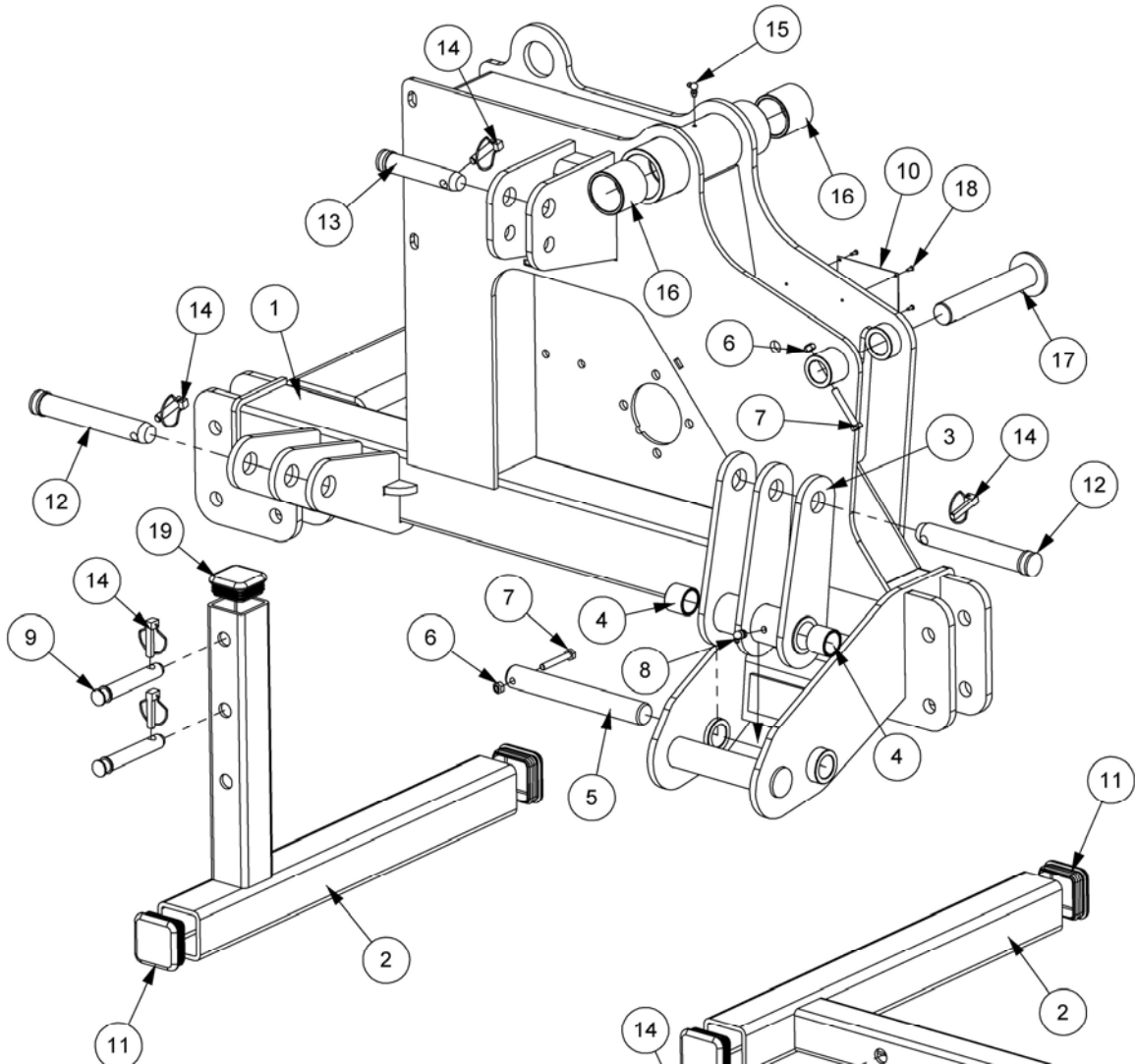
# MAIN FRAME ASSEMBLY

Modules:

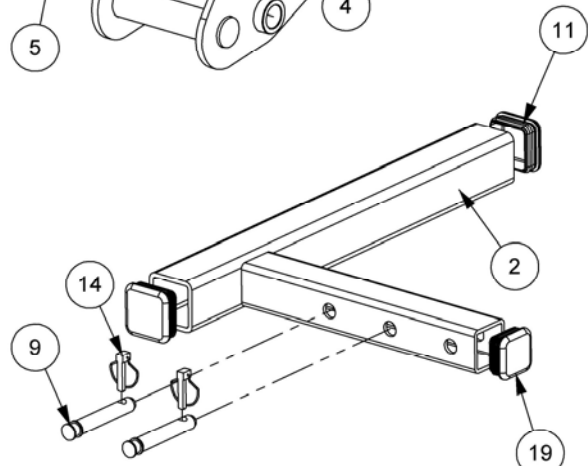
212.200 – L/H Build

212.252 – R/H Build

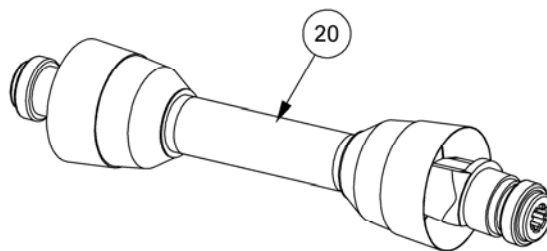
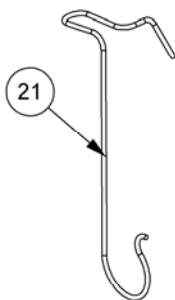
*Illustrated in Left-Hand build*



*Leg illustrated in 'stand' position*



*Leg illustrated in 'stowed' position*





**MAIN FRAME ASSEMBLY**

REF.	QTY.	PART No.	DESCRIPTION
		<b>212.200</b>	<b>MAIN FRAME ASSEMBLY - L/H Build</b>
		<b>212.252</b>	<b>MAIN FRAME ASSEMBLY - R/H Build</b>
1	1	212.060	MAINFRAME - L/H Build
	1	212.067	MAINFRAME - R/H Build
2	2	212.015	STAND LEG
3	1	42118.01	BREAKOUT LINK - L/H Build
	1	42118.02	BREAKOUT LINK - R/H Build
4	2	08.297.04	BUSH
5	1	03.654.75	PIN
6	2	05.287.01	SELF-LOCKING NUT
7	2	05.291.06	BOLT
8	1	05.963.04	GREASE NIPPLE
9	4	T1657	LINKAGE PIN
10	1	45429.01	SERIAL No. PLATE
11	4	45210.01	PLASTIC PLUG
12	2	212.028	PIN
13	1	212.030	PIN
14	7	00.372.01	LINCH PIN
15	1	05.953.05	GREASE NIPPLE
16	2	08.297.01	BUSH
17	1	212.031	PIN
18	4	7103230	POP RIVET
19	2	7191108	PLASTIC PLUG
20	1	T7749	PTO SHAFT
21	1	21160.03	PTO HOOK SUPPORT

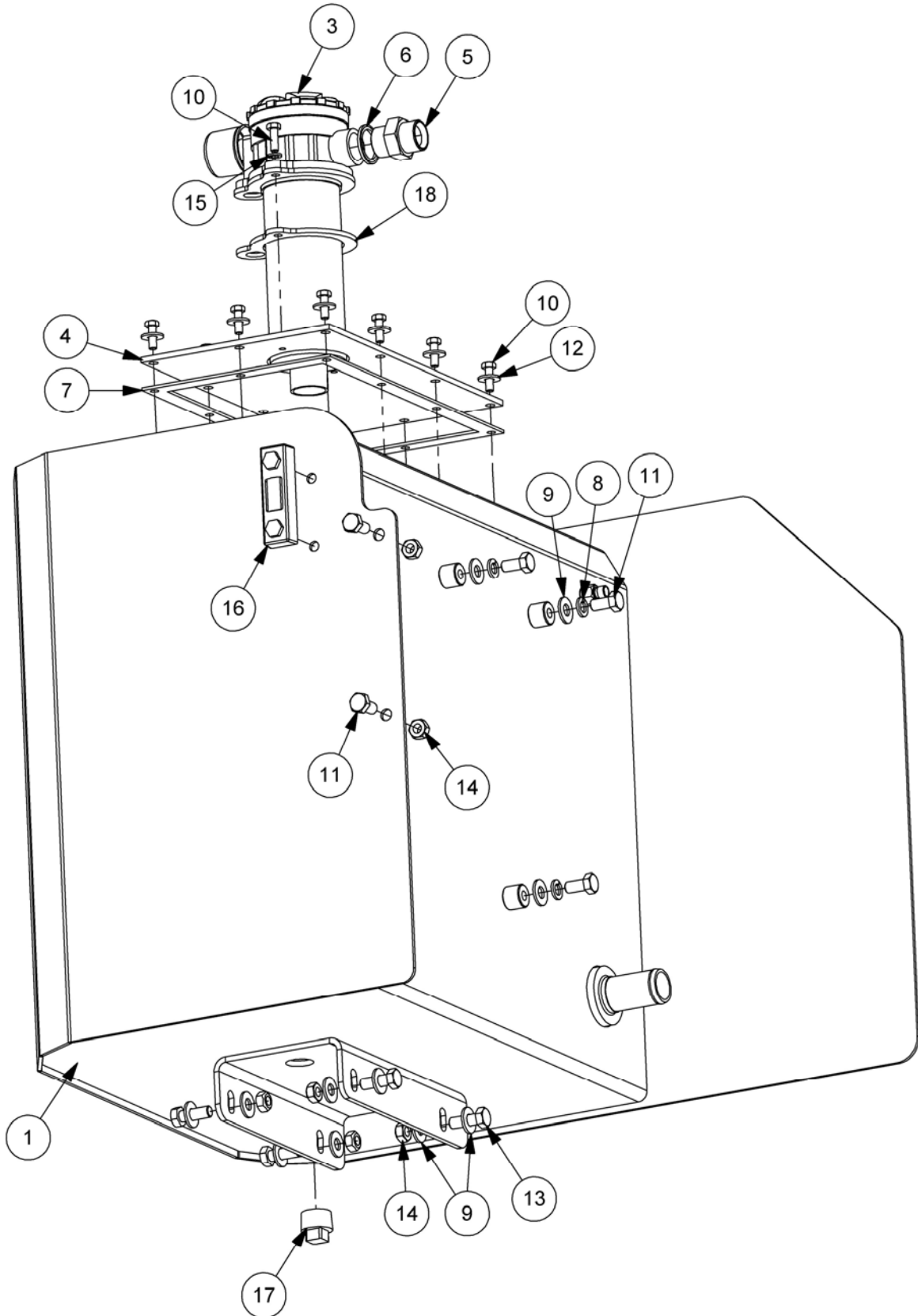
# HYDRAULIC TANK ASSEMBLY

Modules:

212.201 – L/H Build

212.253 – R/H Build

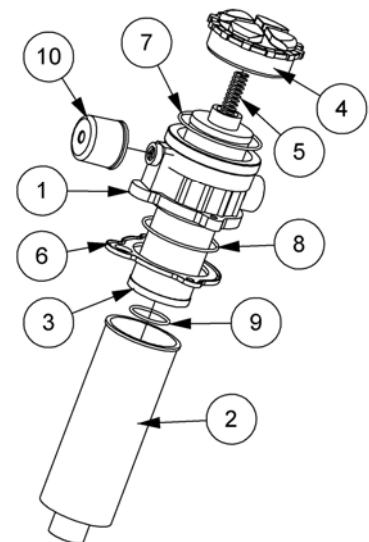
*Illustrated in Left Hand Build*



## HYDRAULIC TANK ASSEMBLY

REF.	QTY.	PART No.	DESCRIPTION
		<b>212.201</b>	<b>TANK ASSEMBLY - L/H Build</b>
		<b>212.253</b>	<b>TANK ASSEMBLY - R/H Build</b>
1	1	212.004	TANK - L/H Build
	1	212.066	TANK - R/H Build
2	1	8401095	STRAINER
3	1	212.013	FILTER ASSEMBLY c/w Breather
	1	8401096	BREATHER
4	1	212.029	PLATE
5	1	05.434.01	ADAPTOR
6	1	05.290.07	BONDED SEAL
7	1	08.605.01	GASKET
8	3	05.282.03	SPRING WASHER
9	11	05.281.03	FLAT WASHER
10	12	05.264.02	SETSCREW
11	5	05.264.22	SETSCREW
12	10	9100105	FLAT WASHER
13	4	05.264.24	SETSCREW
14	6	05.287.03	SELF-LOCKING NUT
15	2	05.282.01	SPRING WASHER
16	1	08.921.01	FLUID LEVEL GAUGE
17	1	8581203	PLUG
18	1	212.013.06	FILTER SEAL

REF.	QTY.	PART No.	DESCRIPTION
		<b>212.013</b>	<b>TANK FILTER ASSEMBLY</b>
1	1	212.013.01	FILTER BODY
2	1	212.013.02	FILTER HOUSING
3	1	8401095	FILTER
4	1	212.013.04	FILLER CAP
5	1	212.013.05	SPRING
6	1	212.013.06	FILTER SEAL
7	1	212.013.07	O RING
8	1	212.013.08	O RING
9	1	212.013.09	O RING
10	1	8401096	BREATHER



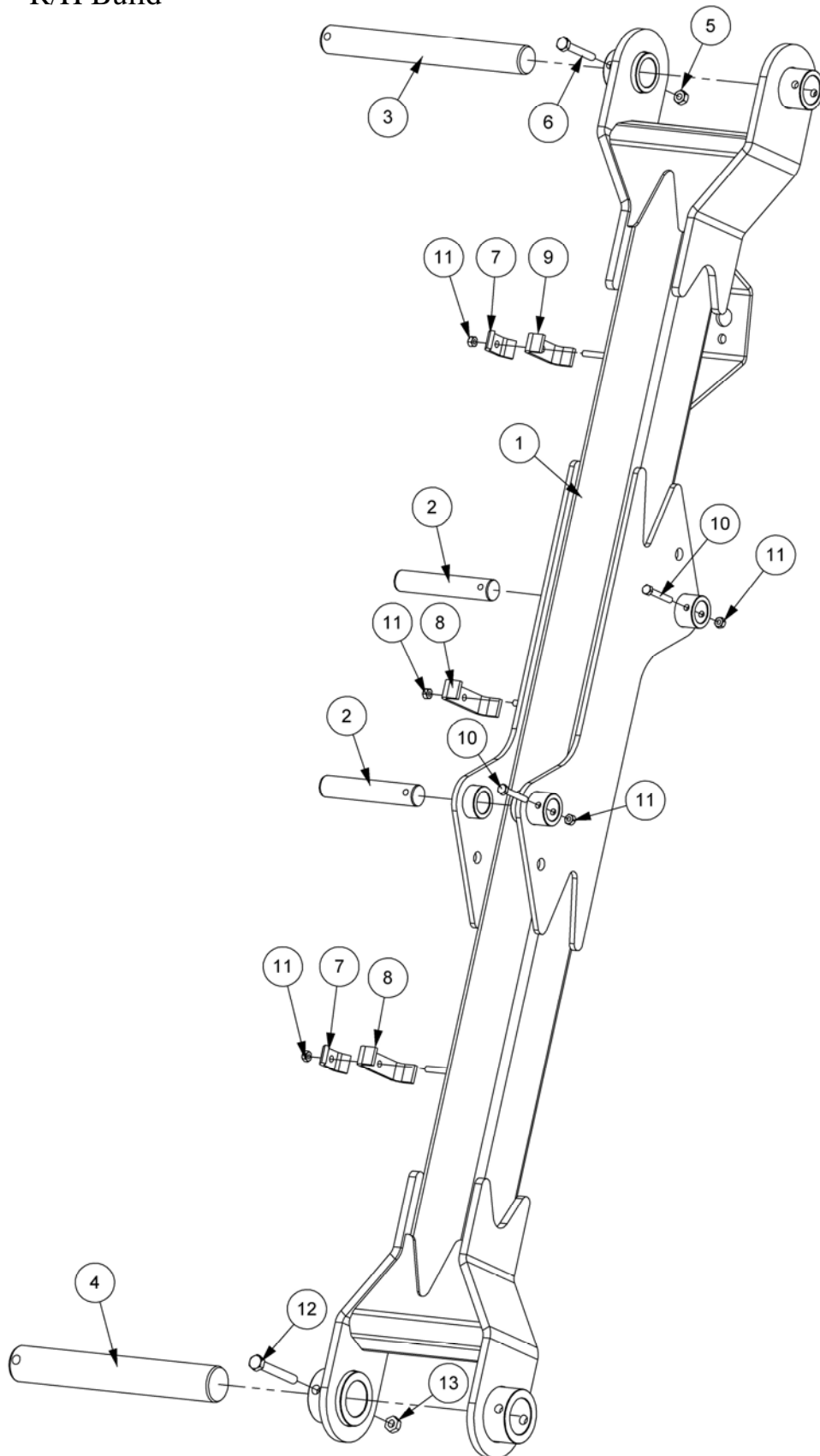
# MAIN ARM ASSEMBLY

Modules:

212.244 – L/H Build

212.254 – R/H Build

*Illustrated in Left-Hand build*



**MAIN ARM ASSEMBLY**

REF.	QTY.	PART No.	DESCRIPTION
		<b>212.244</b>	<b>MAIN ARM ASSEMBLY - L/H Build</b>
		<b>212.254</b>	<b>MAIN ARM ASSEMBLY - R/H Build</b>
1	1	212.054	MAIN ARM - L/H Build
	1	212.063	MAIN ARM - R/H Build
2	2	212.019	PIN
3	1	212.032	PIN
4	1	212.033	PIN
5	1	05.287.02	SELF-LOCKING NUT
6	1	05.291.19	BOLT
7	2	187.047	PIPE CLAMP
8	2	212.034	HOSE CLAMP
9	1	212.035	PIPE CLAMP
10	2	05.291.06	BOLT
11	5	05.287.01	SELF-LOCKING NUT
12	1	9213186	BOLT
13	1	9143006	SELF-LOCKING NUT

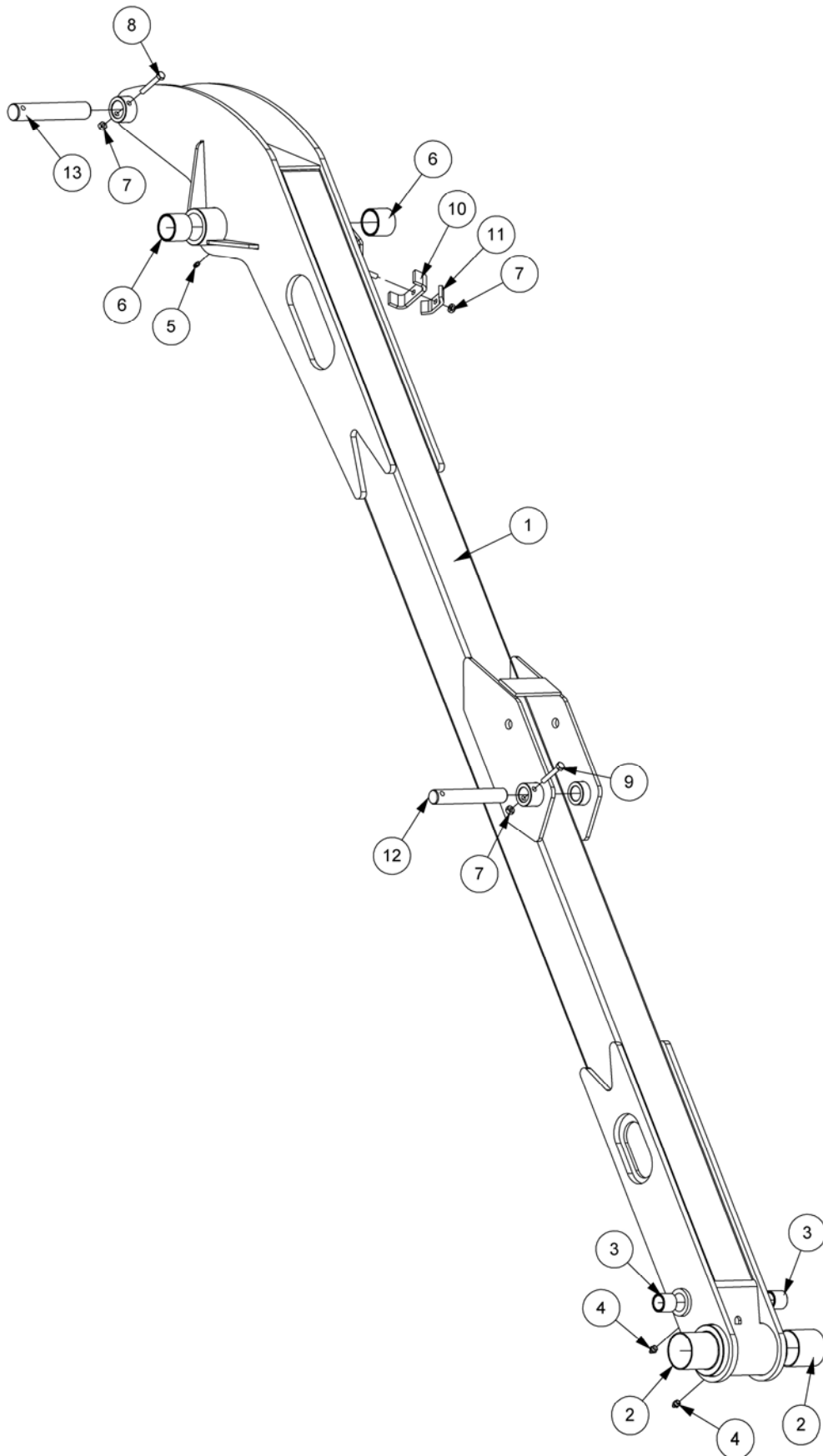
# DIPPER ARM ASSEMBLY

Modules:

212.245 – L/H Build

212.255 – R/H Build

*Illustrated in Left-Hand build*



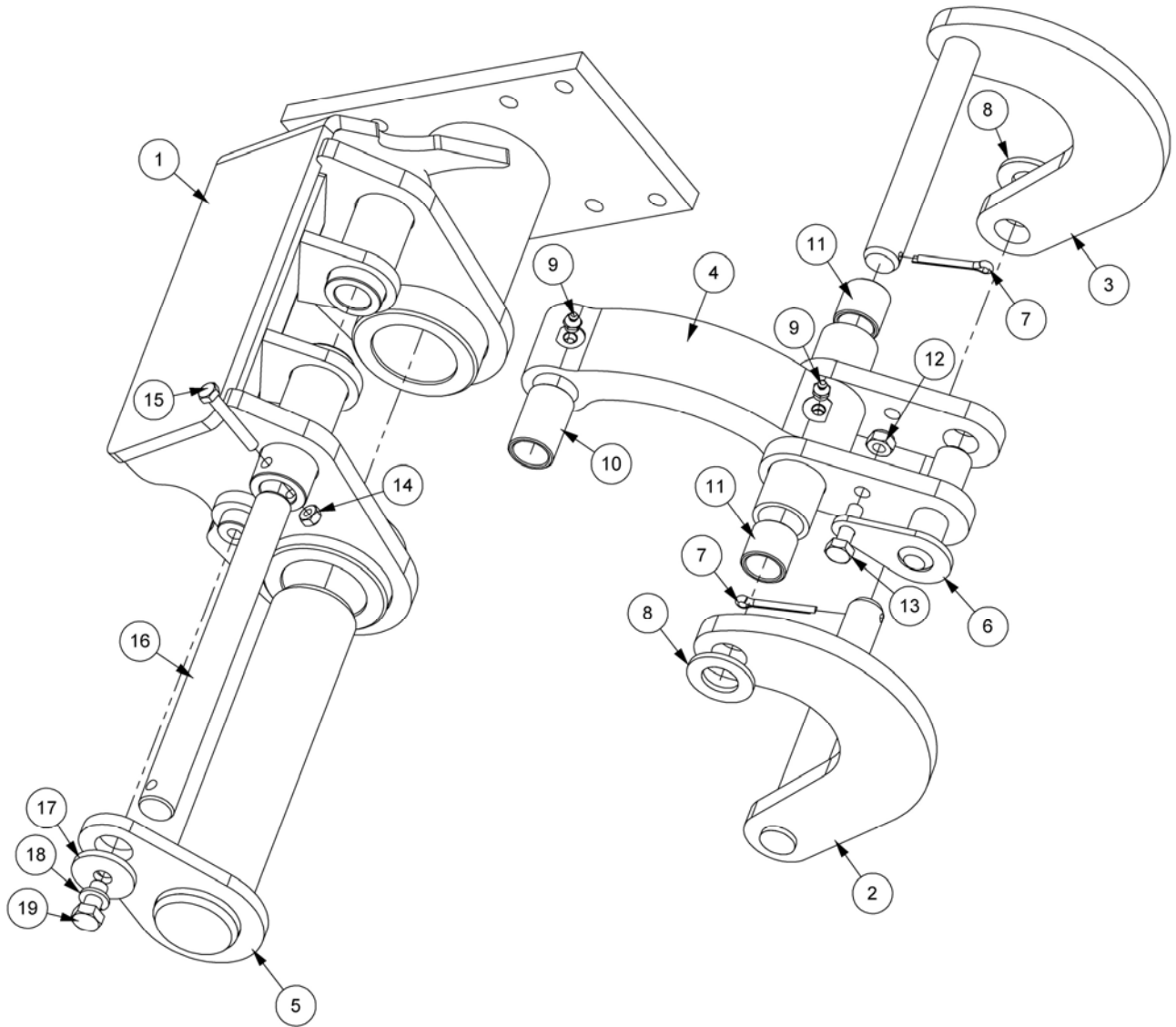
**DIPPER ARM ASSEMBLY**

REF.	QTY.	PART No.	DESCRIPTION
		<b>212.245</b>	<b>DIPPER ARM ASSEMBLY - L/H Build</b>
		<b>212.255</b>	<b>DIPPER ARM ASSEMBLY - R/H Build</b>
1	1	212.055	DIPPER ARM - L/H Build
	1	212.064	DIPPER ARM - R/H Build
2	2	T7860	BUSH
3	2	30.207.70	BUSH
4	2	05.953.03	GREASE NIPPLE
5	1	05.953.01	GREASE NIPPLE
6	2	08.297.02	BUSH
7	3	05.287.01	SELF-LOCKING NUT
8	1	05.291.06	BOLT
9	1	05.291.05	BOLT
10	1	212.035	PIPE CLAMP
11	1	187.047	PIPE CLAMP
12	1	212.036	PIN
13	1	212.037	PIN
14	1	212.059	STUD

**COWL ASSEMBLY (HEAD ANGLING MECHANISM)**

Module:  
212.210 – L/H Build  
212.211 – R/H Build

*Illustrated in Left Hand Build*





**COWL ASSEMBLY (HEAD ANGLING MECHANISM)**

REF.	QTY.	PART No.	DESCRIPTION
		<b>212.210</b>	<b>COWL ASSEMBLY - L/H Build</b>
		<b>212.211</b>	<b>COWL ASSEMBLY - R/H Build</b>
1	1	212.080	COWL BRACKET - L/H Build
	1	212.081	COWL BRACKET - R/H Build
2	1	199.169	RADIUS ARM - OUTER
3	1	199.170	RADIUS ARM - INNER
4	1	199.007	SLAVE LINK
5	1	212.018	COWL PIVOT PIN
6	1	199.016	ANGLE PIN
7	2	05.284.14	SPLIT COTTER
8	2	05.281.16	FLAT WASHER
9	2	05.953.03	GREASE NIPPLE
10	1	08.297.09	BUSH
11	2	30.207.70	BUSH
12	1	9143005	CLEVELOK NUT
13	1	9313075	SETSCREW
14	1	05.287.01	SELF-LOCKING NUT
15	1	05.291.06	BOLT
16	1	212.026	PIN
17	1	05.234.01	WASHER
18	1	05.282.03	SPRING WASHER
19	1	05.264.22	SETSCREW

## NOTE:

Machines prior to 02/08 used a narrower slave link (138mm) Part No. 212.017 where the narrower slave link is used the following associated parts also apply;

L/H Builds	212.020	COWL BRACKET
	194.180	RADIUS ARM - OUTER
	194.181	RADIUS ARM - INNER
R/H Builds	212.065	COWL BRACKET
	194.180	RADIUS ARM - OUTER
	194.181	RADIUS ARM - INNER

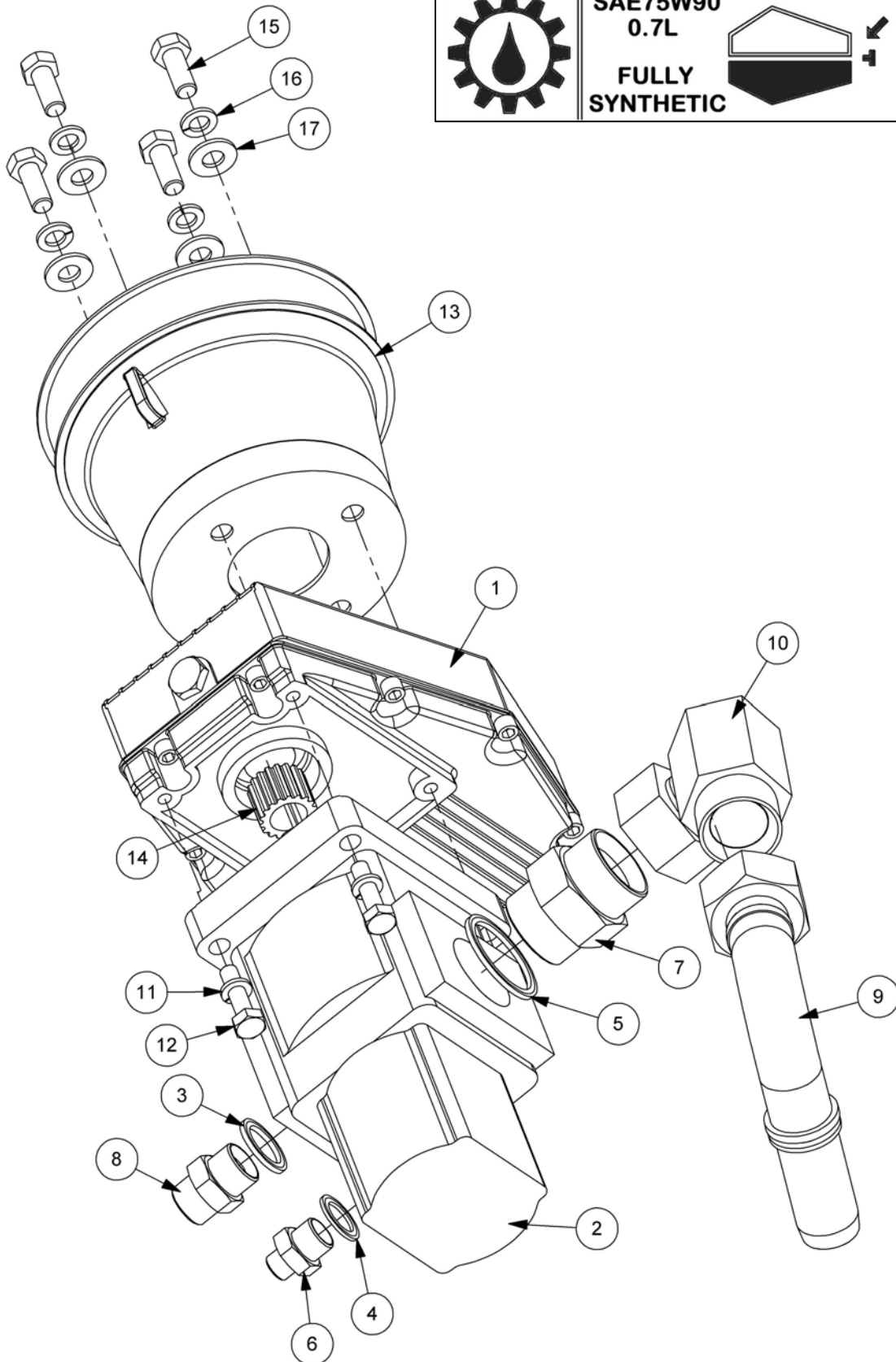
For older machines please measure the slave link width and order accordingly.

# PUMP & GEARBOX ASSEMBLY

Module:  
212.232 – L/H Build  
212.260 – R/H Build

*Illustrated in Left hand Build*

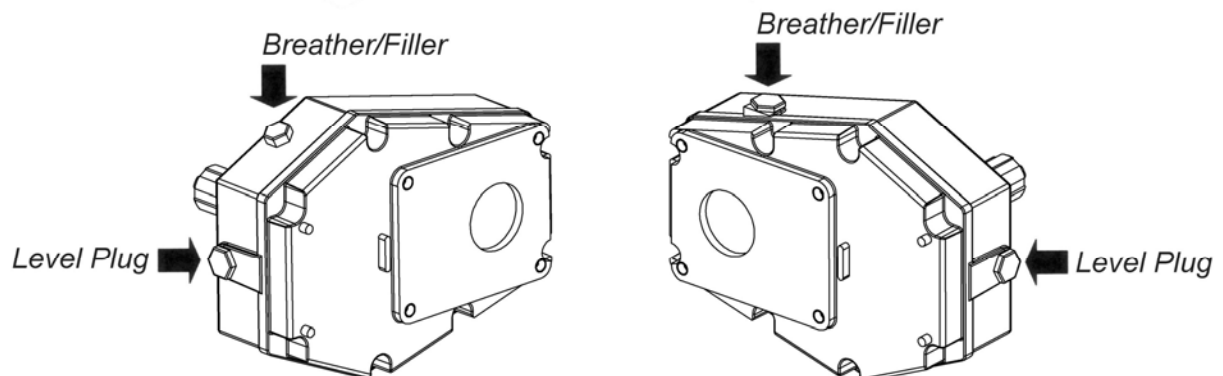
	<b>SAE75W90</b>	
	<b>0.7L</b>	
	<b>FULLY SYNTHETIC</b>	



## PUMP & GEARBOX ASSEMBLY

REF.	QTY.	PART No.	DESCRIPTION
		<b>212.232</b>	<b>PUMP &amp; GEARBOX ASSEMBLY - L/H Build</b>
		<b>212.260</b>	<b>PUMP &amp; GEARBOX ASSEMBLY - R/H Build</b>
1	1	8013339	GEARBOX 1:3.4
2	1	212.025	TANDEM PUMP
3	1	05.290.06	BONDED SEAL
4	1	05.290.05	BONDED SEAL
5	1	05.290.09	BONDED SEAL
6	1	05.123.01	ADAPTOR
7	1	05.374.01	ADAPTOR
8	1	05.377.01	ADAPTOR
9	1	212.027	ADAPTOR - 90° SWEPT
10	1	05.835.10	SWIVEL ADAPTOR - 90°
11	4	05.282.02	SPRING WASHER
12	4	05.291.13	BOLT
13	1	1469001	PTO GUARD
14	1	T7551	COUPLING
15	4	05.264.23	SETSCREW
16	4	05.282.03	SPRING WASHER
17	4	05.281.03	FLAT WASHER

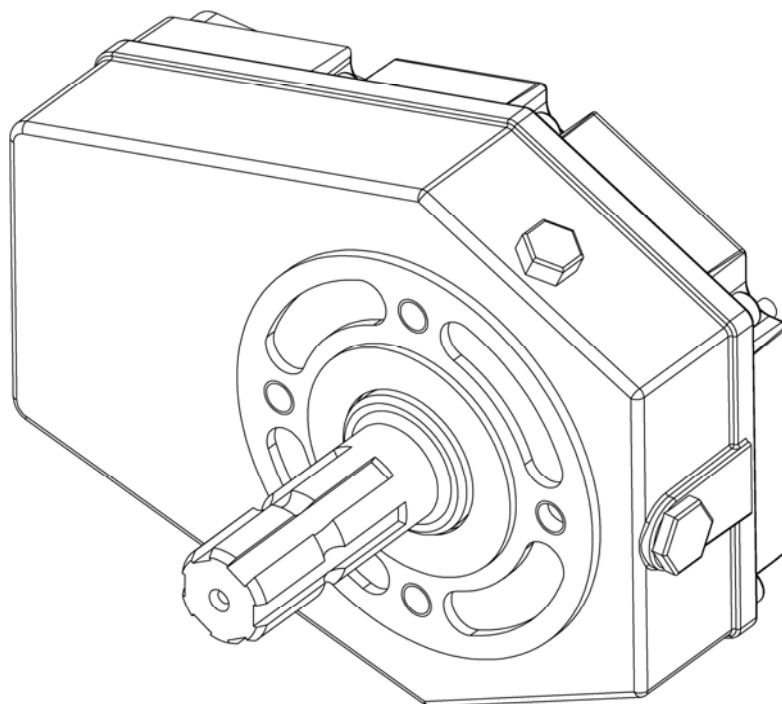
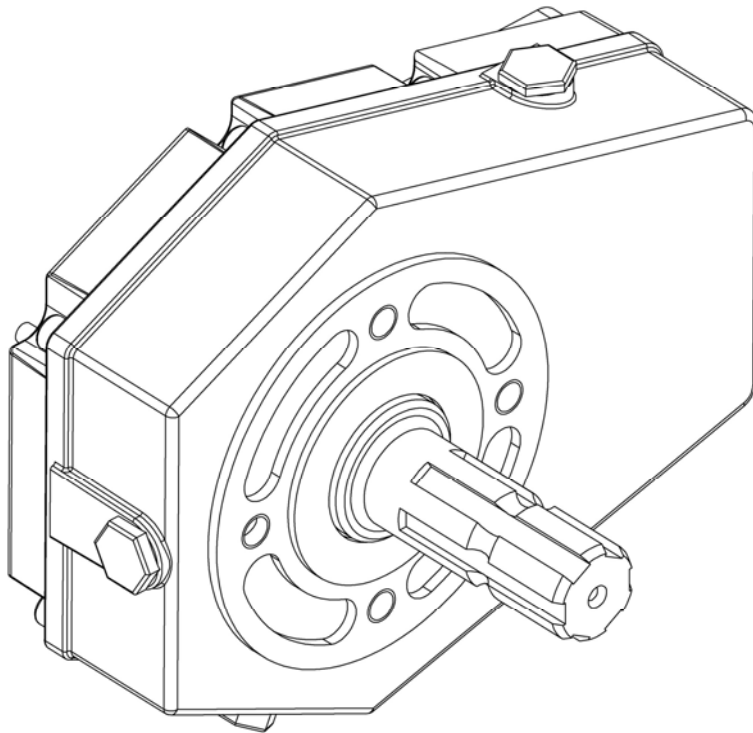
**Note: The component parts for both L/H & R/H builds are identical - the assemblies differ only in the orientation of the assembled components.**



**GEARBOX ASSEMBLY**

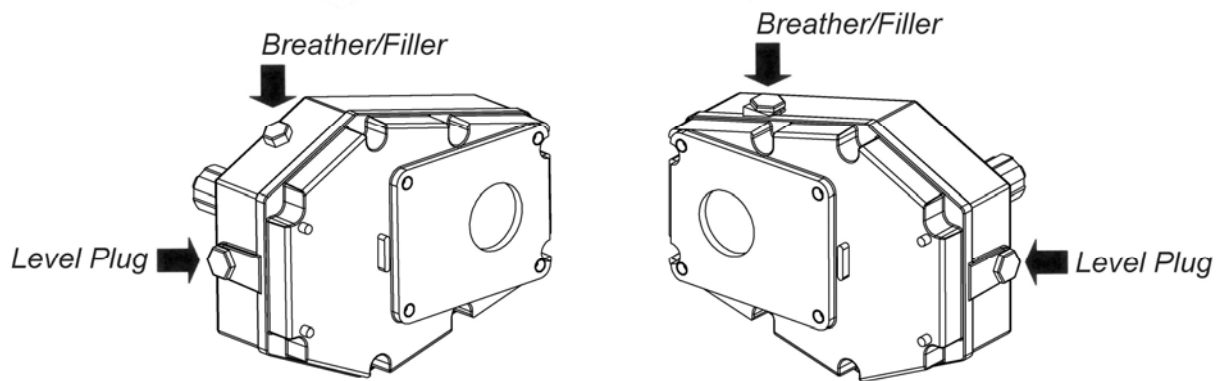
Module:  
8013339

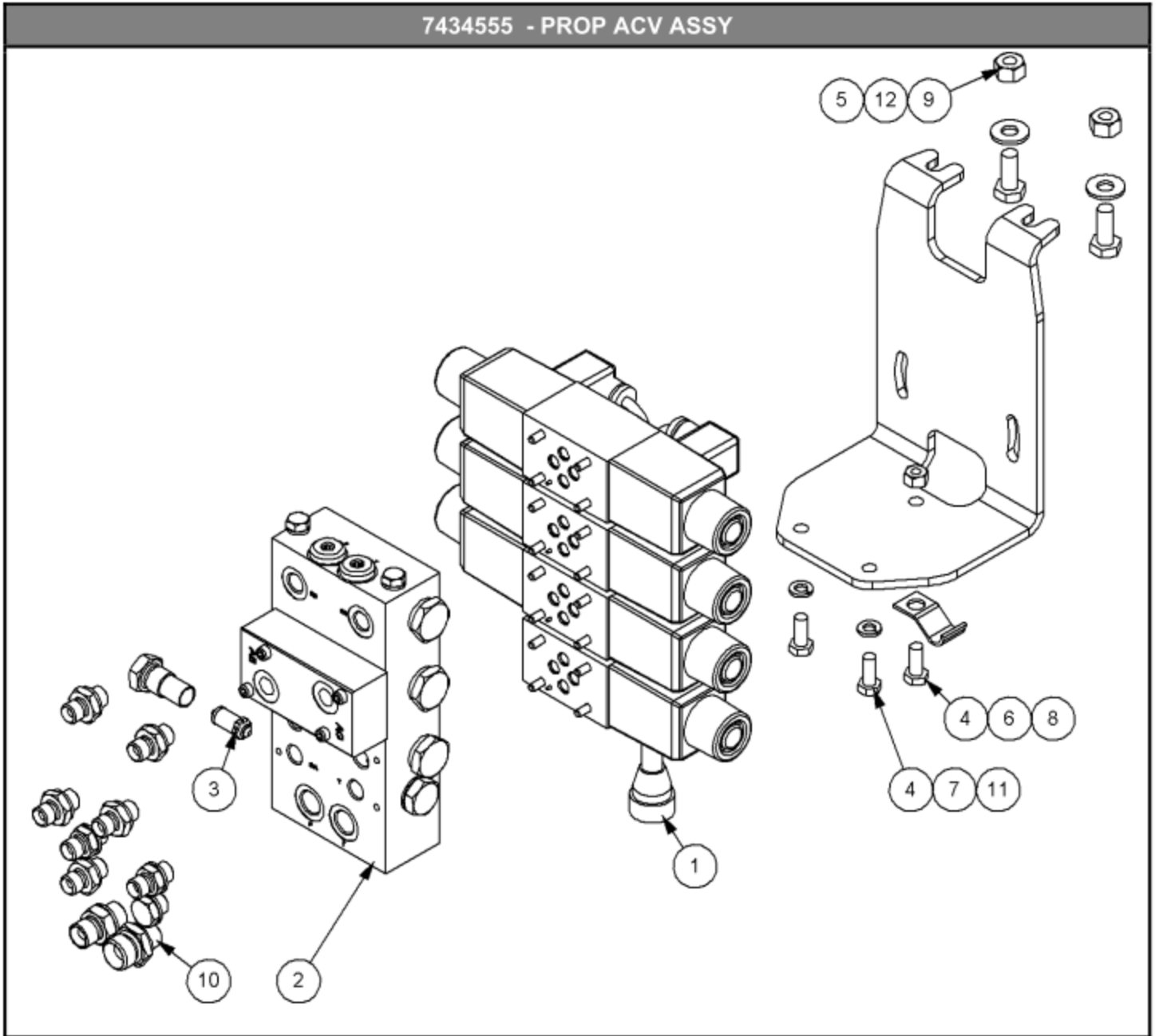
	SAE75W90 0.7L	
	FULLY SYNTHETIC	



## GEARBOX ASSEMBLY

REF.	QTY.	PART No.	DESCRIPTION
		<b>8013339</b>	<b>GEARBOX ASSEMBLY</b>
1	1	8013060	PINION
2	1	8013062	GEAR
3	1	8013063	GEARBOX CASING
4	1	8013064	GEARBOX COVER PLATE
5	1	8013065	MALE STUB SHAFT
6	1	8013058	GASKET
7	2	0600047	BEARING
8	2	0600048	BEARING
9	2	8013066	ROLLER
10	1	8629139	SEAL
11	1	8629140	SHAFT SEAL
12	1	0401250	EXTERNAL CIRCLIP
13	8	9343064	SOCKET CAPSCREW
14	1	8013067	EXPANSION PLUG
15	1	8013068	BREATHER VALVE
16	1	8013069	OIL LEVEL PLUG
17	1	8013070	DRAIN PLUG





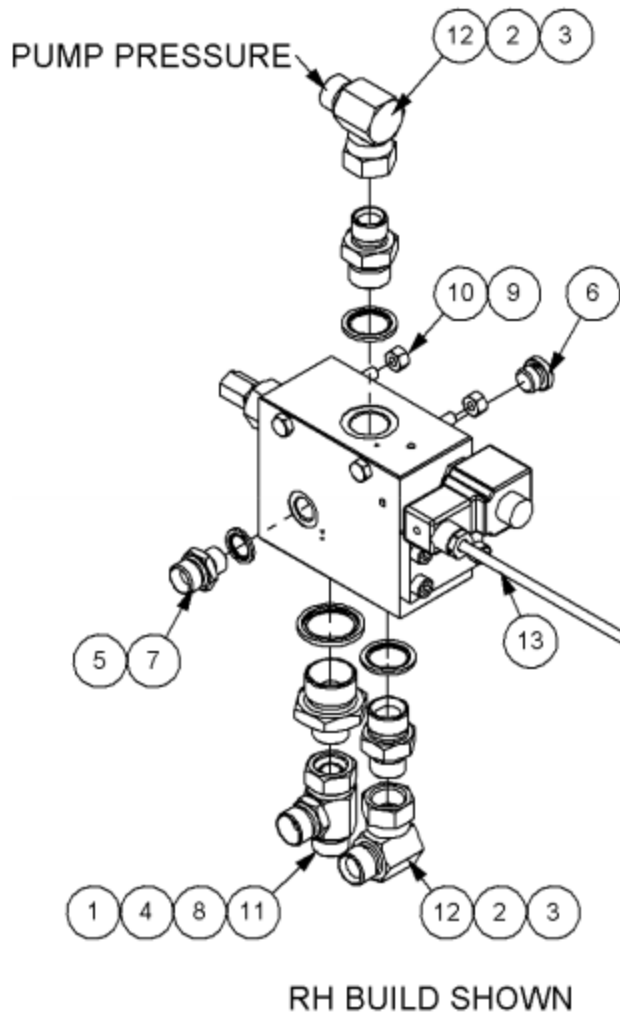
## 7434555 - PROP ACV ASSY

Ref	Part No	Description	Qty
1	22525.16	CONTROL SOL.KIT	1
2	22523.19	MANIFOLD ASSY	1
3	8130029	VALVE	1
4	9313044	SCREW	5
5	9313055	SCREW	2
6	7109151	CLAMP	1
7	9100204	WASHER	4
8	9163004	NUT	1
9	9163005	NUT	2
10	22524.48	ADAPTOR KIT	1
11	41196.57	VALVE MTG PLATE	1
12	9100105	WASHER	2

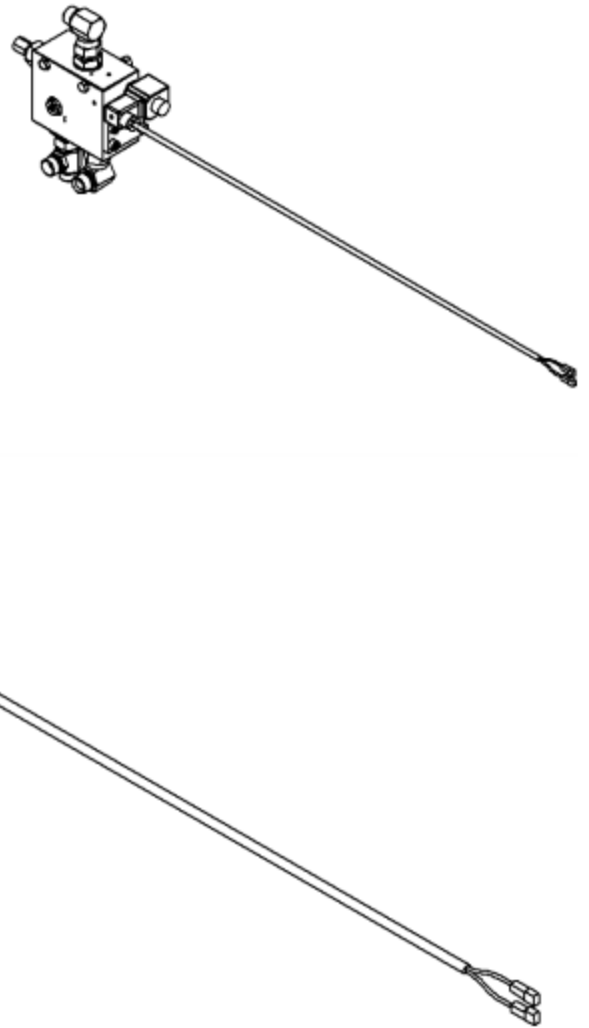
Ref	Part No	Description	Qty
1*	41784.48	VALVE	3
2*	41844.02	LOOM	1
3*	8130456	VALVE	1
4*	9243062	SCREW	16

7434568 B - RCV ON/OFF

FOR LH BUILDS SWAP POSITIONS OF ITEMS 6 WITH ITEMS 5 & 7.



LH BUILD



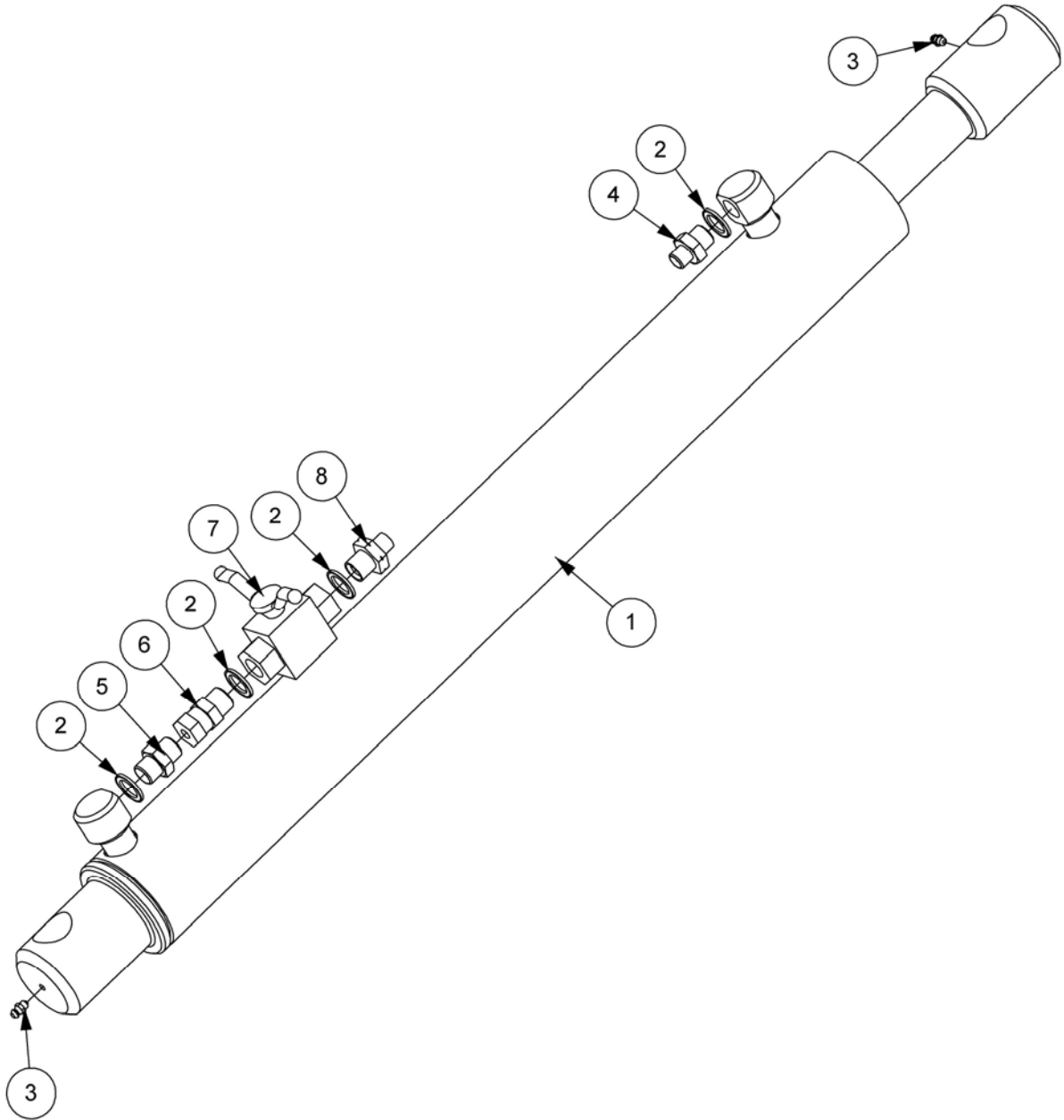


## 7434568 B - RCV ON/OFF

Ref	Part No	Description	Qty
1	08.943.01	VALVE	1
2	8581270	ADAPTOR	2
3	8650106	SEAL	2
4	8650108	SEAL	1
5	8650103	SEAL	1
6	8581436	PLUG	1
7	6000112	REDUCER	1
8	8581378	ADAPTOR	1
9	9213164	BOLT	2
10	9163004	NUT	2
11	8581460	ADAPTOR	1
12	8581338	ADAPTOR	2
13	43177.29	LOOM	1

**FIRST RAM ASSEMBLY – LIFT RAM**

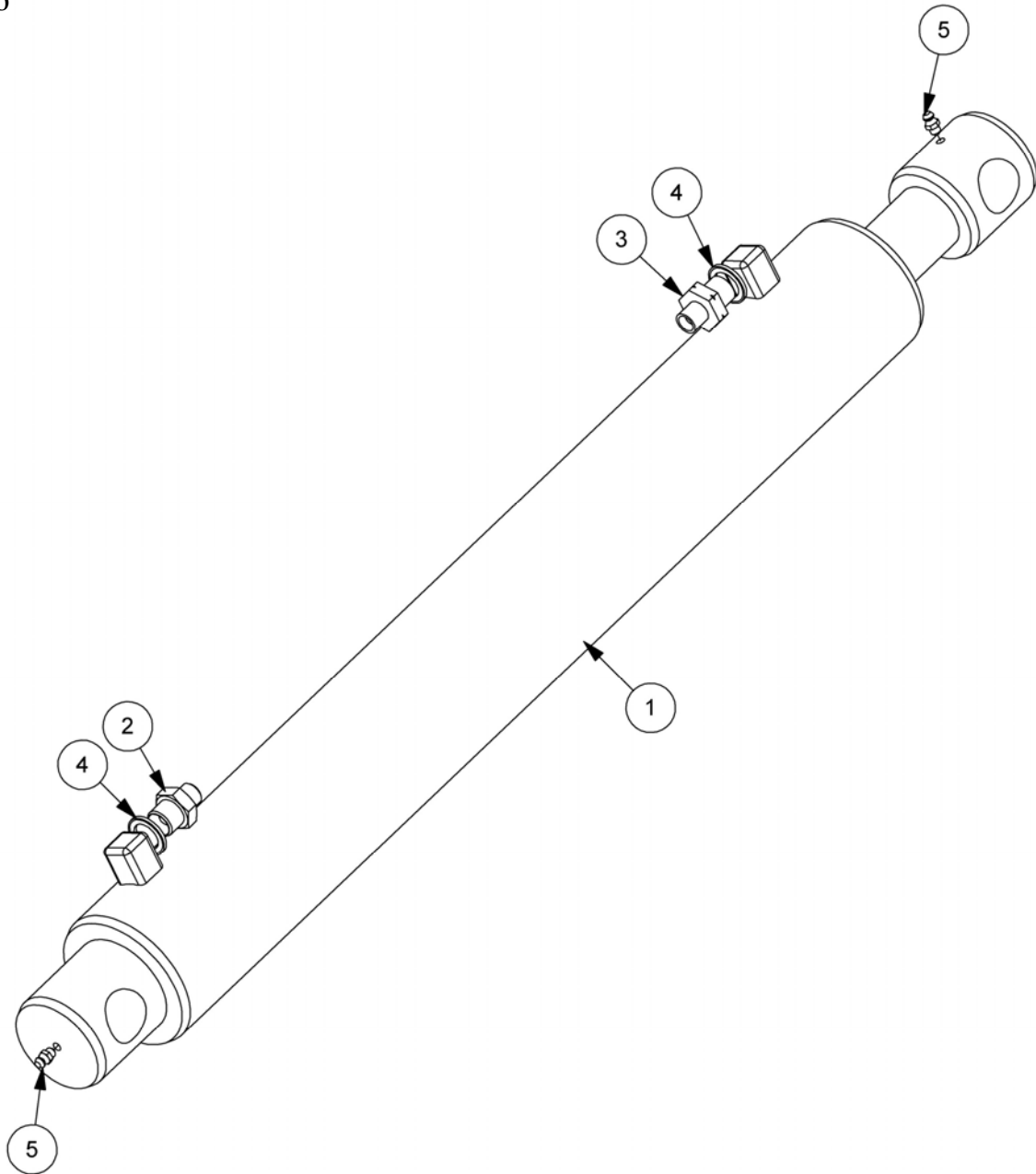
Modules:  
212.205



REF.	QTY.	PART No.	DESCRIPTION
		<b>212.205</b>	<b>LIFT RAM ASSEMBLY</b>
1	1	09.928.02	HYDRAULIC RAM
2	4	05.290.04	BONDED SEAL
3	2	05.953.01	GREASE NIPPLE
4	1	01.099.01	ADAPTOR
5	1	05.124.01	ADAPTOR
6	1	02.714.01	ADAPTOR - SWIVEL
7	1	08.200.01	ISOLATING VALVE
8	1	46518.12	RESTRICTOR

## SECOND RAM ASSEMBLY – REACH RAM

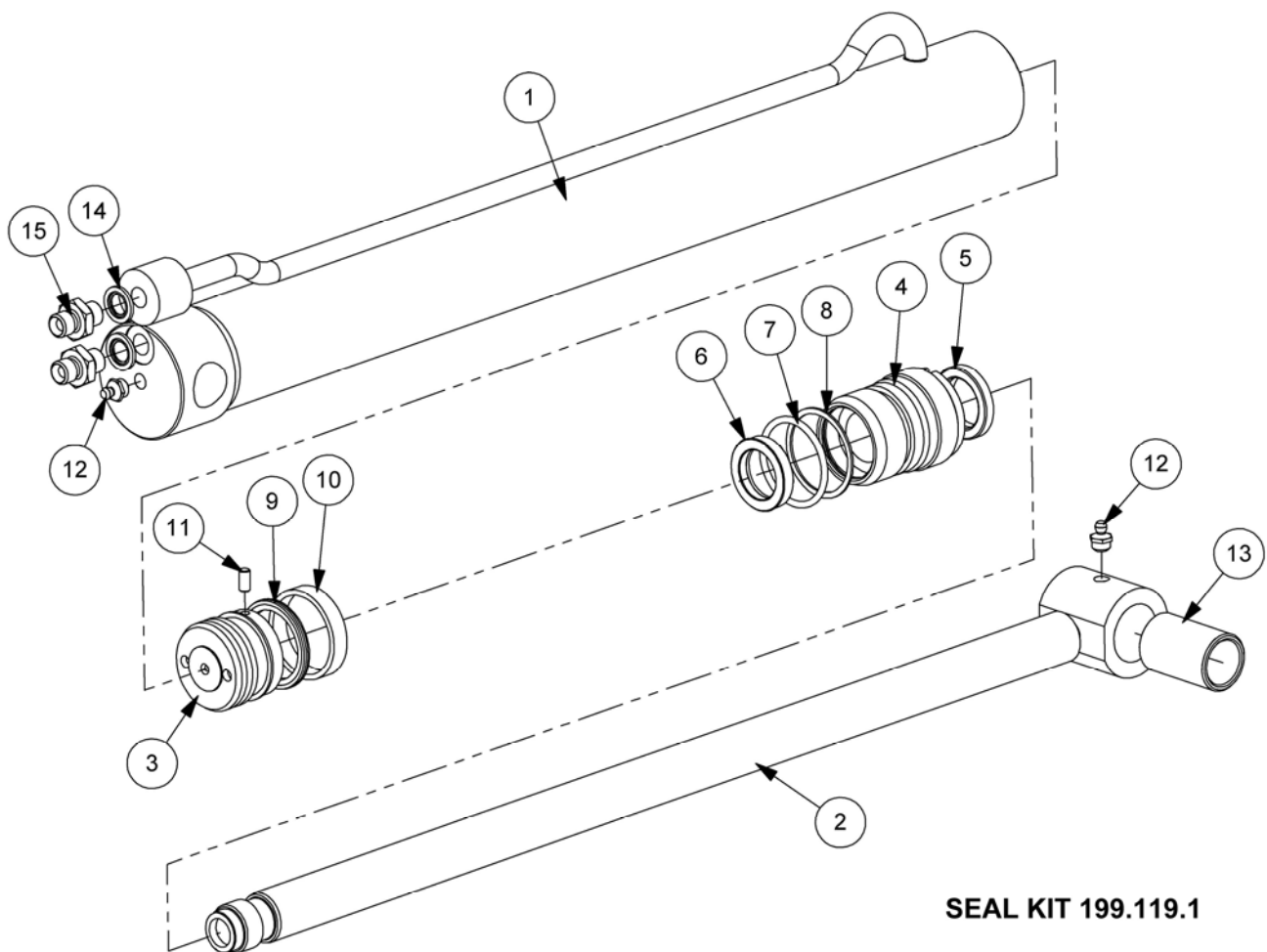
Modules:  
212.206



REF.	QTY.	PART No.	DESCRIPTION
		<b>212.206</b>	<b>REACH RAM ASSEMBLY</b>
1	1	48079.01	HYDRAULIC RAM
2	1	01.099.01	ADAPTOR
3	1	46518.08	RESTRICTOR
4	2	05.290.04	BONDED SEAL
5	2	0901161	GREASE NIPPLE
		<b>48079.25</b>	<b>SEAL KIT</b>

## ANGLING RAM ASSEMBLY

Module:  
199.119



SEAL KIT 199.119.1

REF.	QTY.	PART No.	DESCRIPTION
		<b>199.119</b>	<b>ANGLING RAM ASSEMBLY</b>
1	1	199.119.31	RAM BARREL
2	1	199.119.34	PISTON ROD
3	1	7560095	PISTON
4	1	7135291	GLAND HOUSING
5	1	8629149	SCRAPER RING
6	1	8629148	GLAND SEAL
7	1	8600302	O RING
8	1	8609302	AE RING
9	1	8629187	PISTON SEAL
10	1	8629188	GUIDE RING
11	1	9363023	GRUB SCREW
12	2	0901121	GREASE NIPPLE
13	1	21149.04	BUSH
14	2	8650102	BONDED SEAL
15	2	8581169	ADAPTOR

**HYDRAULIC INSTALLATION**

<b>REF.</b>	<b>QTY.</b>	<b>PART No.</b>	<b>DESCRIPTION</b>
		<b>212.209</b>	<b>HYDRAULIC INSTALLATION</b>
1	1	212.205	LIFT RAM ASSEMBLY
2	1	212.206	REACH RAM ASSEMBLY
3	1	199.119	ANGLING RAM ASSEMBLY
4	14	7135084	HOSE TIE
5	4	7196045	HOSE TIE
6	1	8501192	SUCTION HOSE
7	4	0904107	HOSE CLIPS
8	1	00900913	HOSE SLEEVING - 2500mm
9	2	05.313.01	BLANKING PLUG

**HYDRAULIC HOSE KIT**

REF.	QTY.	PART No.	DESCRIPTION
		<b>212.3002</b>	<b>HYDRAULIC HOSE KIT - L/H Build</b>
1	2	10.009.67	HOSE - 3/4" BSP FS/FS x 5700mm
2	2	10.001.31	HOSE - 1/4" BSP ST/ST x 2100mm
3	2	10.001.51	HOSE - 1/4" BSP FS/FS x 4100mm
4	2	10.001.26	HOSE - 1/4" BSP ST/ST x 1600mm
5	1	10.004.12	HOSE - 3/8" BSP FS/F90 x 600mm
6	1	10.006.07	HOSE - 1/2" BSP FS/F90 x 350mm
7	1	10.002.06	HOSE - 1/4" BSP FS/F90 x 300mm
8	1	10.012.13	HOSE - 1" BSP ST/90 x 650mm
9	1	10.010.10	HOSE - 3/4" BSP FS/F90 x 500mm

REF.	QTY.	PART No.	DESCRIPTION
		<b>212.3003</b>	<b>HYDRAULIC HOSE KIT - R/H Build</b>
1	2	10.009.67	HOSE - 3/4" BSP FS/FS x 5700mm
2	2	10.001.31	HOSE - 1/4" BSP ST/ST x 2100mm
3	2	10.001.51	HOSE - 1/4" BSP FS/FS x 4100mm
4	2	10.001.26	HOSE - 1/4" BSP ST/ST x 1600mm
5	1	10.004.09	HOSE - 3/8" BSP FS/F90 x 450mm
6	1	10.006.07	HOSE - 1/2" BSP FS/F90 x 350mm
7	1	10.002.06	HOSE - 1/4" BSP FS/F90 x 300mm
8	1	10.012.13	HOSE - 1" BSP ST/90 x 650mm
9	1	10.010.07	HOSE - 3/4" BSP FS/F90 x 350mm

**LOCATION / FUNCTION**

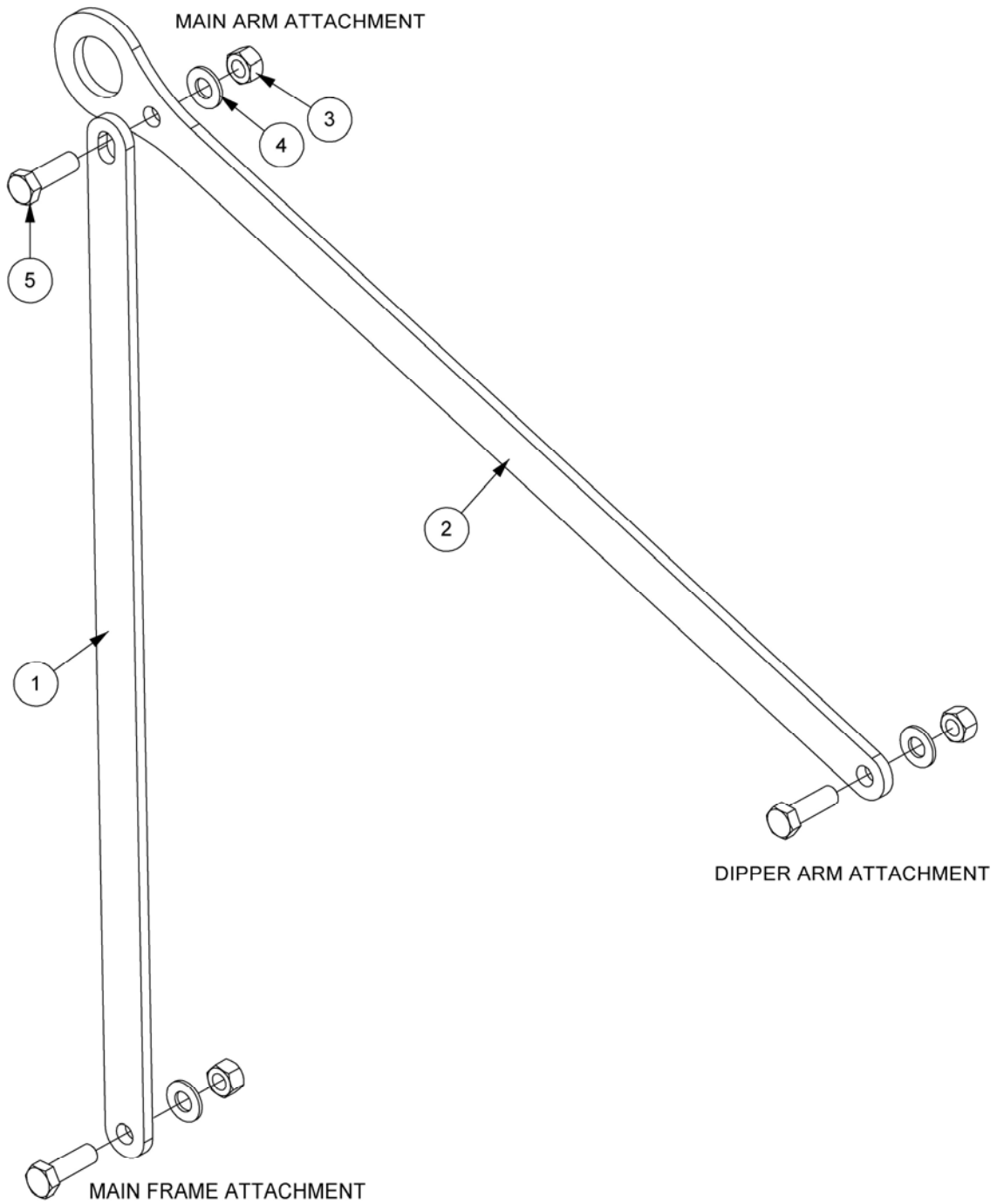
- 1 Rotor Control Valve to Flailhead Motor
- 2 Control Valve to Reach Ram
- 3 Control Valve to Angling Ram
- 4 Control Valve to Lift Ram
- 5 Pump to Control Valve
- 6 Valve to Rotor Control Valve
- 7 Lift Base Relief Valve to Tank
- 8 Rotor Control Valve to Tank
- 9 Pump to Rotor Control Valve

**DECAL KIT**

REF.	QTY.	PART No.	DESCRIPTION
		<b>212.249</b>	<b>DECAL KIT - TE480</b>
1	1	200.028	DECAL - TWOSE (WHITE)
2	1	200.031	DECAL - TE480 (WHITE)
3	3	200.007	DECAL - TWOSE (BLACK)
4	1	200.019	DECAL - TWOSE (WHITE)
5	1	08.632.01	DECAL - TRANSPORT
6	1	09.811.04	DECAL - PTO SPEED (540RPM)
7	1	09.821.02	DECAL - WARNING (OVERHEAD CABLES)
8	1	09.821.03	DECAL - WARNING (DON'T STAND UNDER ARMS)
9	1	T1850152	DECAL - WARNING (DANGER AREA)
10	1	09.845.01	DECAL - APPROVED OILS
11	1	09.846.01	DECAL - OIL FILTER CHANGE
12	1	09.821.23	DECAL - PINCH POINT
13	1	09.821.27	DECAL - READ MANUAL
14	2	T410201	DECAL - GREASE

**TRANSPORT STRAP KIT**

Module:  
212.230

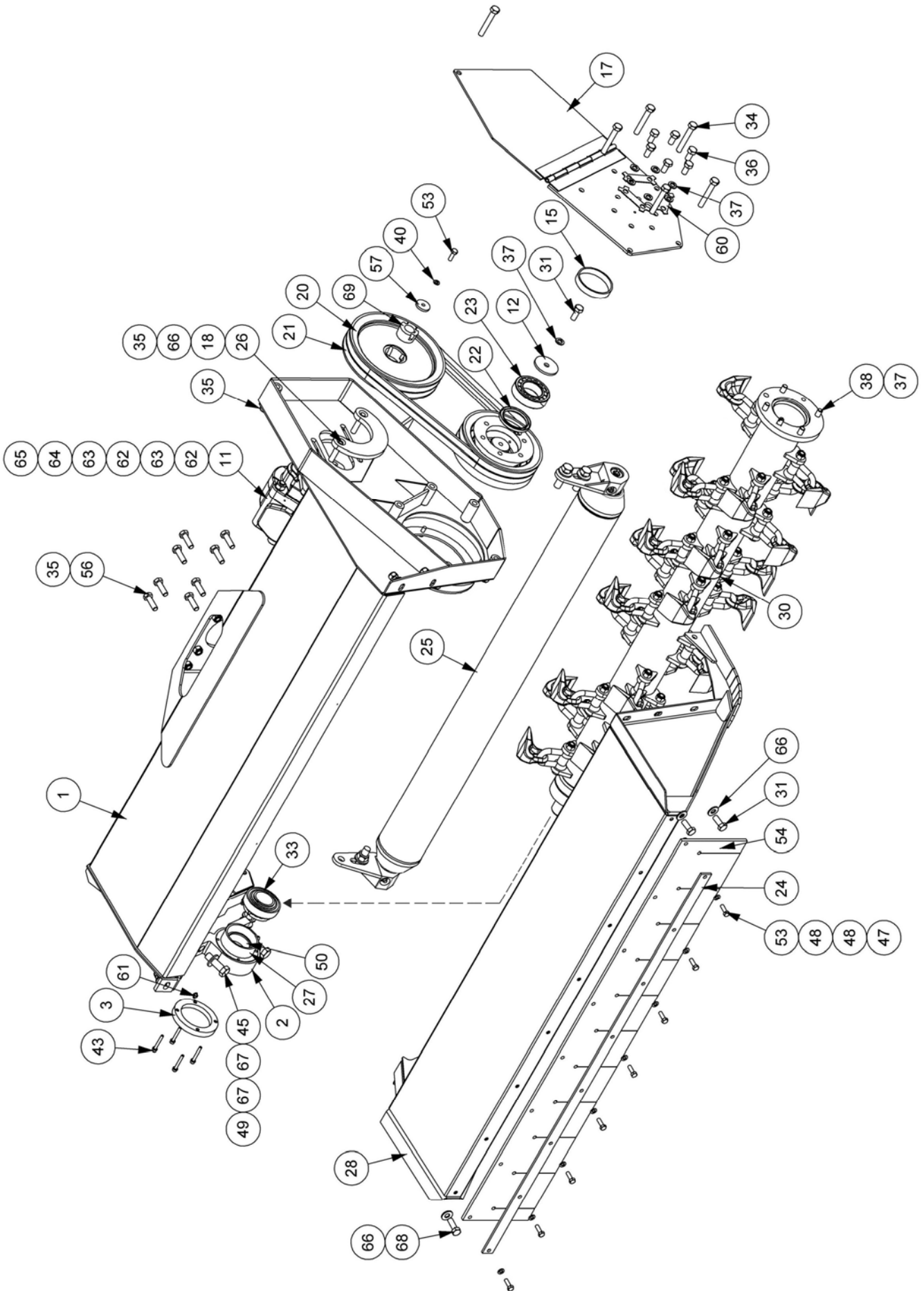


REF.	QTY.	PART No.	DESCRIPTION
		<b>212.230</b>	<b>TRANSPORT STRAP KIT</b>
1	1	212.061	1st ARM TRANSPORT STRAP
2	1	212.038	2nd ARM TRANSPORT STRAP
3	3	05.287.04	SELF-LOCKING NUT
4	3	05.281.04	FLAT WASHER
5	3	05.264.37	SETSCREW



**FLAILHEADS**  
**- ZD120 Series -**  
**Applicable to machines prior to 01/12**

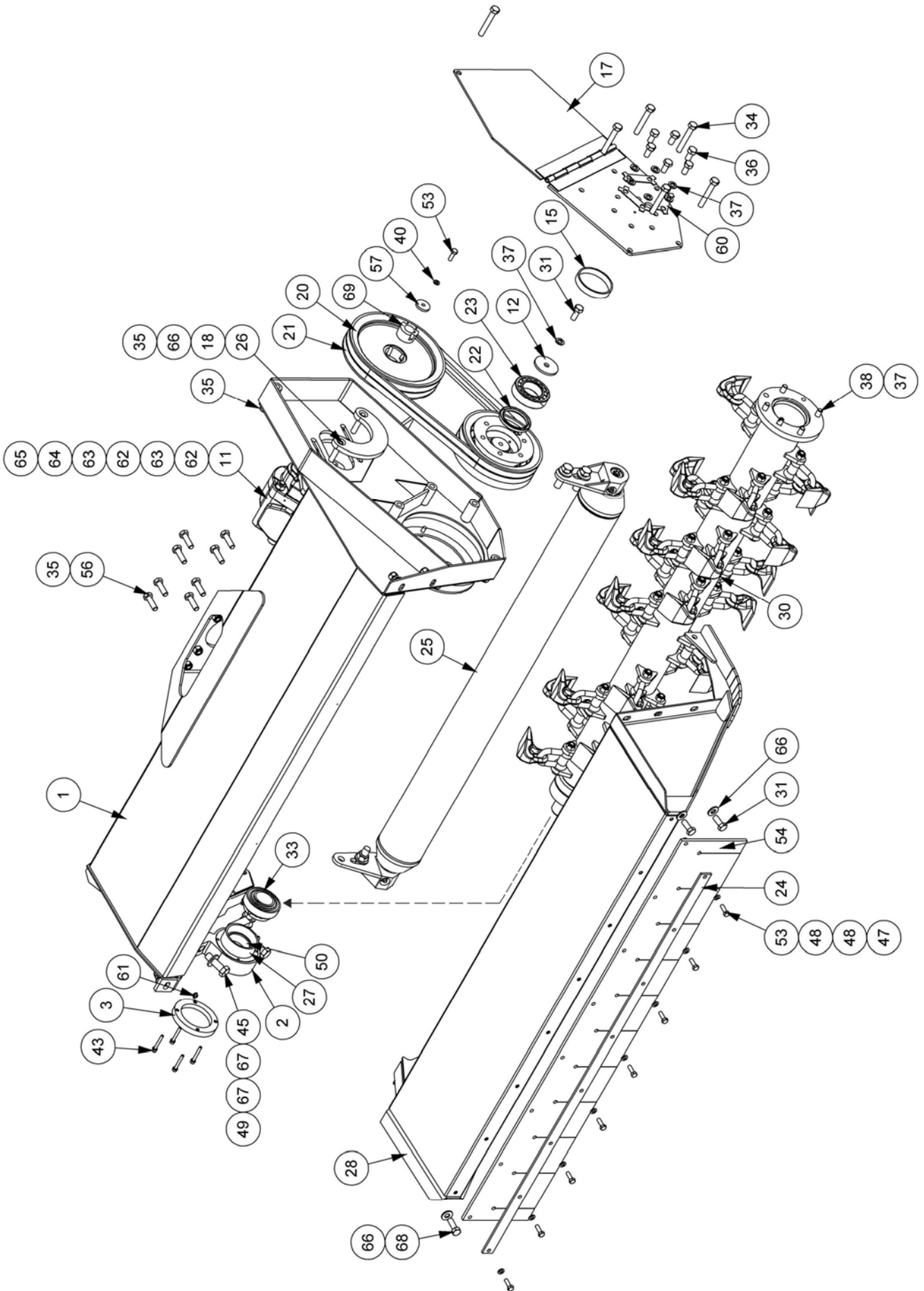
# FLAILHEAD ASSEMBLY



**FLAILHEAD ASSEMBLY**

REF.	QTY.	PART No.	DESCRIPTION
			<b>1.2M STANDARD POWER FLAILHEAD</b>
			<b>1.2M HIGH POWER FLAILHEAD</b>
1	1	184.615A	1.2M HEAD
2	1	192.024	HEAD BEARING HOUSING
3	1	192.025	BEARING CAP
4	2	T8029	BEARING
5	2	T7898	BEARING
6	2	184.589	SPACER
7	2	184.588	STUB SHAFT
8	2	174.006	WASHER
9	1	184.622L	LH ROLLER BRACKET
10	1	184.622R	RH ROLLER BRACKET
11	1	T8027	FLAIL HEAD MOTOR - STD. POWER
	1	8301315	FLAIL HEAD MOTOR - HIGH POWER
12	1	184.461	WASHER
13	1	184.446	ROTOR PULLEY
14	1	184.448	BEARING HOUSING
15	1	184.464	BEARING SPACER
16	1	184.489	DOWEL PIN
17	1	184.623	DRIVE COVER
18	1	184.624	MOTOR PLATE - STD. POWER BUILDS
	1	184.625	MOTOR PLATE - HIGH POWER BUILDS
19	1	184.636	GRASS RING
20	1	188.061	MOTOR PULLEY
21	2	T7692	VEE BELT
22	1	T7790	OIL SEAL RING
23	1	T7840	BEARING
24	2	184.617A	CLAMP STRIP
25	1	184RL120	ROLLER ASSEMBLY (COMPLETE)
26	1	184.463	MOTOR CLAMP - STD. POWER BUILDS
	1	188.145	MOTOR CLAMP - HIGH POWER BUILDS
27	1	192.026	BEARING SHIELD
28	1	184.616A	NOSE
29	2	184.689	SHIELD ROLLER
30	1	184.733	1.2M ROTOR MODULE
31	4	9313066	SETSCREW
32	3	T2923	GREASE NIPPLE
33	1	T7941	SELF LUBE BEARING C/W SLEEVE
34	6	9213166	BOLT
35	22	9163006	NYLOC NUT
36	6	05.264.22	SETSCREW
37	11	9100206	SPRING WASHER
38	4	T7855	BOLT
39	3	9313044	SETSCREW

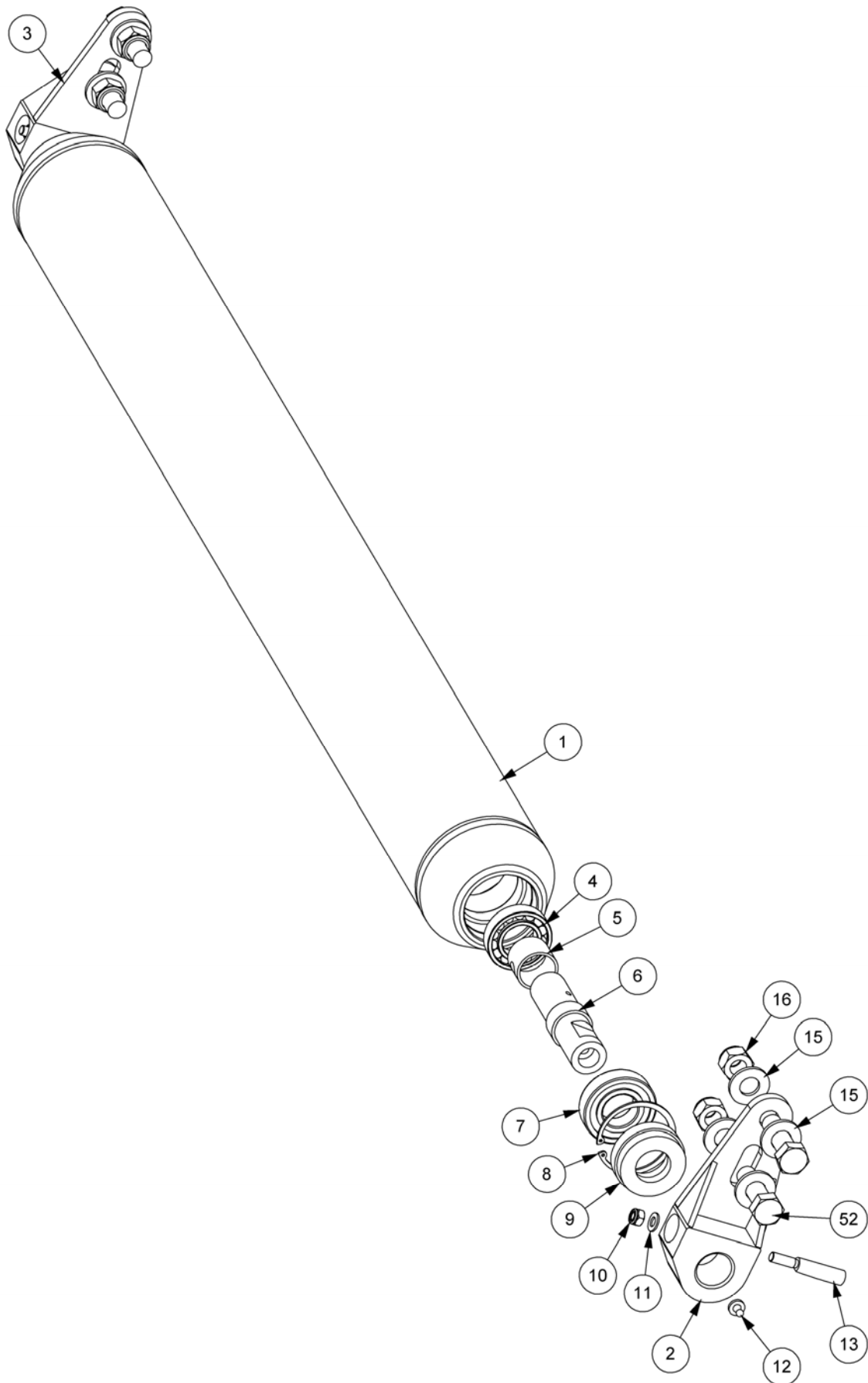
# FLAILHEAD ASSEMBLY



**FLAILHEAD ASSEMBLY**

REF.	QTY.	PART No.	DESCRIPTION
			<b>1.2M STANDARD POWER FLAILHEAD</b>
			<b>1.2M HIGH POWER FLAILHEAD</b>
40	4	9100204	SPRING WASHER
41	1	T8172	SETSCREW
42	2	9117005	NUT
43	4	T6985	CAPSCREW
44	4	9100203	SPRING WASHER
45	2	9213117	BOLT
46	2	T1840591	COTTER PIN
47	18	9163004	NYLOC NUT
48	34	T3111	FLAT WASHER
49	6	9163007	NYLOC NUT
50	1	184.729	BEARING SPACER
51	2	0411262	INTERNAL CIRCLIP
52	4	9313117	SETSCREW
53	17	9313054	SETSCREW
54	2	1840476F	CURTAIN
55	1	184.615.900	STICKER MODULE
56	8	9213086	BOLT
57	1	184.603	RETAINING WASHER
58	1	0311083	SCREW
59	1	0100203	SPRING WASHER
60	3	184.600	TAB WASHER
61	1	0901161	GREASE NIPPLE
62	2	8581136	ADAPTOR
63	2	8650106	BONDED SEAL
64	1	8581169	ADAPTOR
65	1	8650102	BONDED SEAL
66	14	9100106	FLAT WASHER
67	12	0100106	WASHER
68	3	9313076	SETSCREW
69	1	184.691	TAPER LOCK - STD. POWER BUILDS
	1	7990-2	TAPER LOCK - HIGH POWER BUILDS
			<b>R/H CONVERSION KIT</b>
70	2	186.058	HYDRAULIC STEEL PIPE
71	2	184.517	PIPE CLAMP
72	2	9213105	BOLT
73	2	9100205	SPRING WASHER

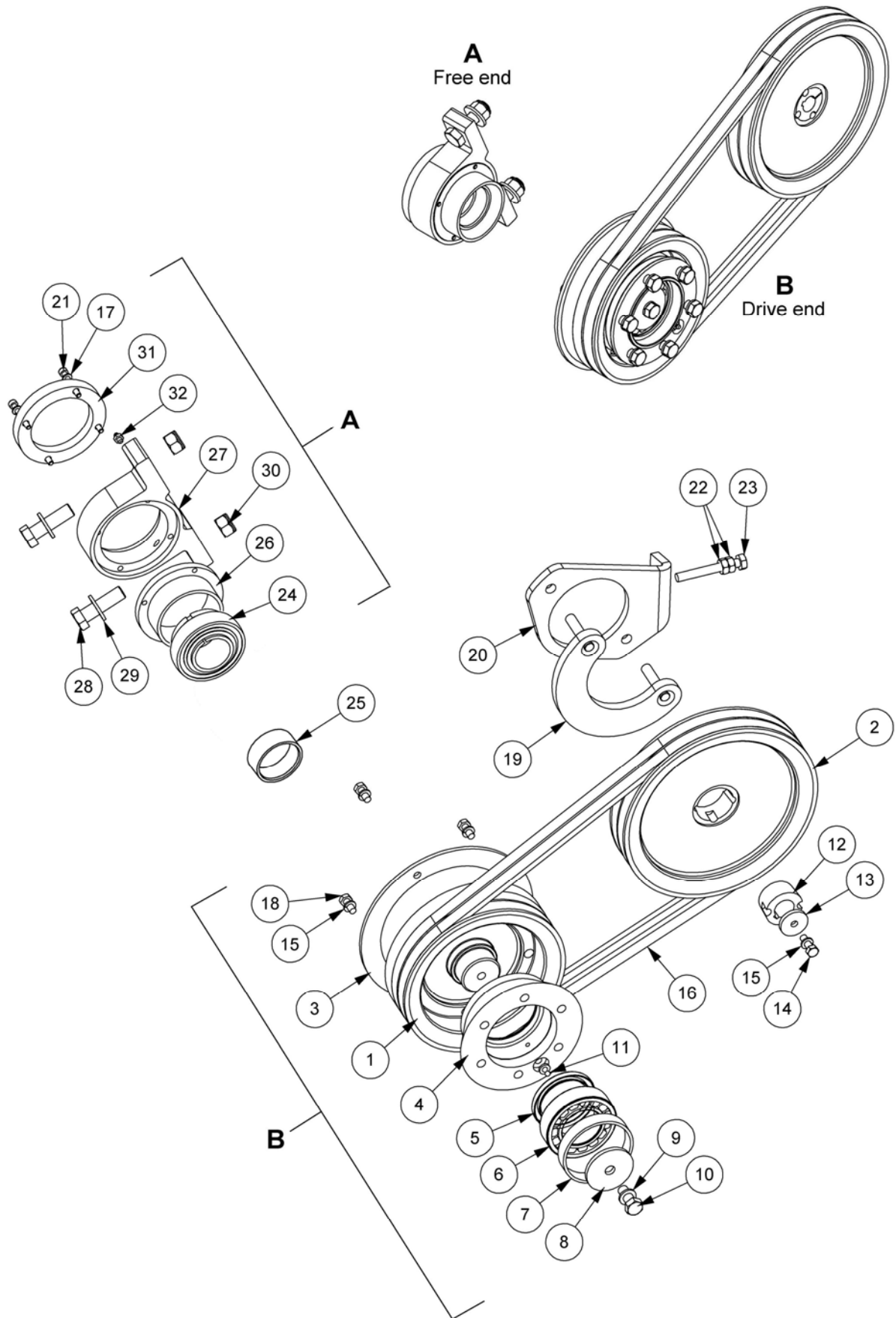
# ROLLER ASSEMBLY



**ROLLER ASSEMBLY**

<b>REF.</b>	<b>QTY.</b>	<b>PART No.</b>	<b>DESCRIPTION</b>
			<b>1.2M ROLLER ASSEMBLY</b>
1	1	184.621A	ROLLER
2	1	184.622R	RH ROLLER BRACKET
3	1	184.622L	LH ROLLER BRACKET
4	2	T8029	BEARING
5	2	184.589	SPACER
6	2	184.588	STUB SHAFT
7	2	T7898	BEARING
8	2	0411262	INTERNAL CIRCLIP
9	2	184.689	ROLLER SHIELD
10	2	9163004	NYLOC NUT
11	34	T3111	WASHER
12	3	T2923	GREASE NIPPLE
13	2	1840591	COTTER PIN (SPECIAL)
14	4	9313117	SETSCREW
15	12	0100106	WASHER
16	6	9163007	NYLOC NUT

**DRIVE ASSEMBLY**



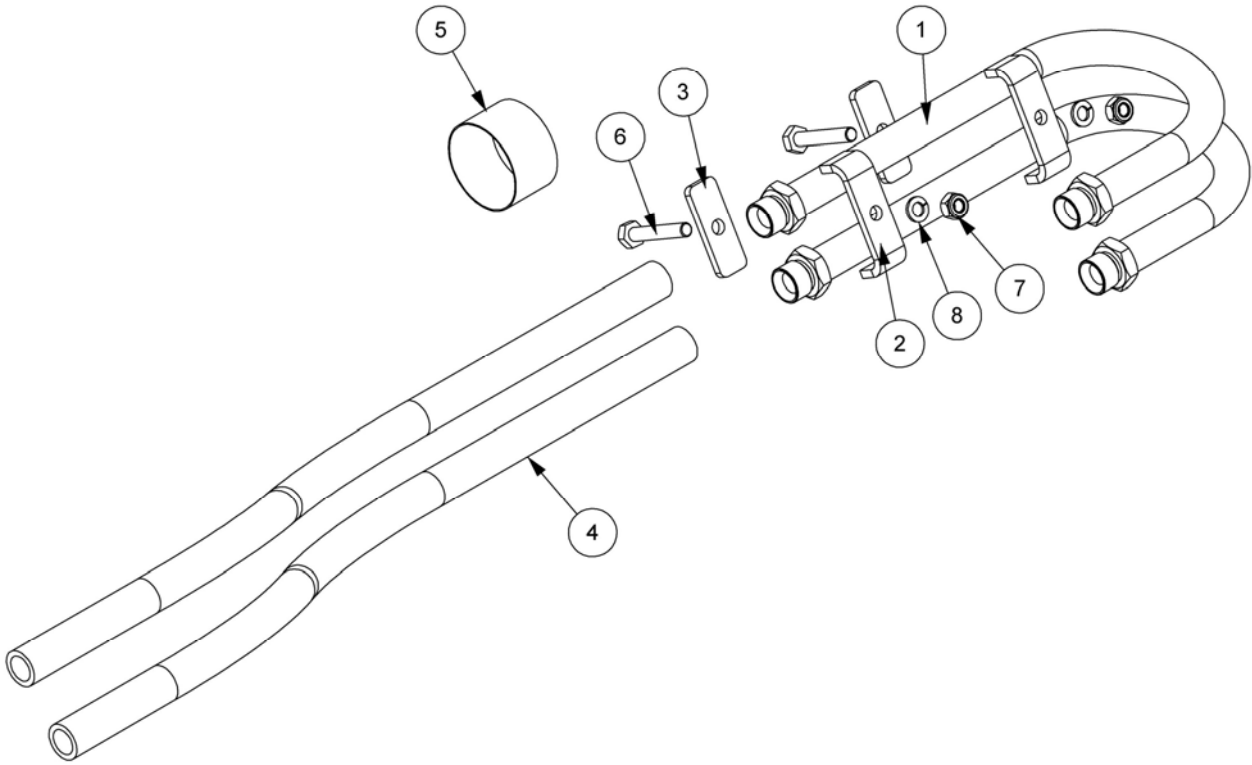


**DRIVE ASSEMBLY**

REF.	QTY.	PART No.	DESCRIPTION
<b>ZD120 FLAILHEAD - DRIVE ASSEMBLY</b>			
1	1	184.446	ROTOR PULLEY
2	1	188.061	MOTOR PULLEY
3	1	184.636	GRASS RING
4	1	184.448	BEARING HOUSING
5	1	T7790	OIL SEAL RING
6	1	T7840	BEARING
7	1	184.464	BEARING SPACER
8	1	184.461	WASHER
9	11	9100206	SPRING WASHER
10	4	9313066	SETSCREW
11	3	T2923	GREASE NIPPLE
12	1	184.691	TAPER LOCK - STD. POWER BUILDS
	1	7990-2	TAPER LOCK - HIGH POWER BUILDS
13	1	184.603	RETAINING WASHER
14	17	9313054	SETSCREW
15	4	9100204	SPRING WASHER
16	2	t7692	VEE BELT
17	4	9100203	SPRING WASHER
18	3	9313044	SETSCREW
19	1	184.463	MOTOR CLAMP - STD. POWER BUILDS
	1	188.145	MOTOR CLAMP - HIGH POWER BUILDS
20	1	184.624	MOTOR PLATE - STD. POWER BUILDS
	1	184.625	MOTOR PLATE - HIGH POWER BUILDS
21	4	T6985	CAPSCREW
22	2	9117005	NUT
23	1	T8172	SETSCREW
24	1	T7941	SELF LUBE BEARING C/W SLEEVE
25	1	184.729	BEARING SPACER ( <i>Rotor Assembly Component</i> )
26	1	192.026	BEARING SHIELD
27	1	192.024	HEAD BEARING HOUSING
28	2	9213117	BOLT
29	2	0100106	WASHER
30	6	9163007	NYLOC NUT
31	1	192.025	BEARING CAP
32	1	0901161	GREASE NIPPLE

**R/H CONVERSION KIT (Standard Power Builds)**

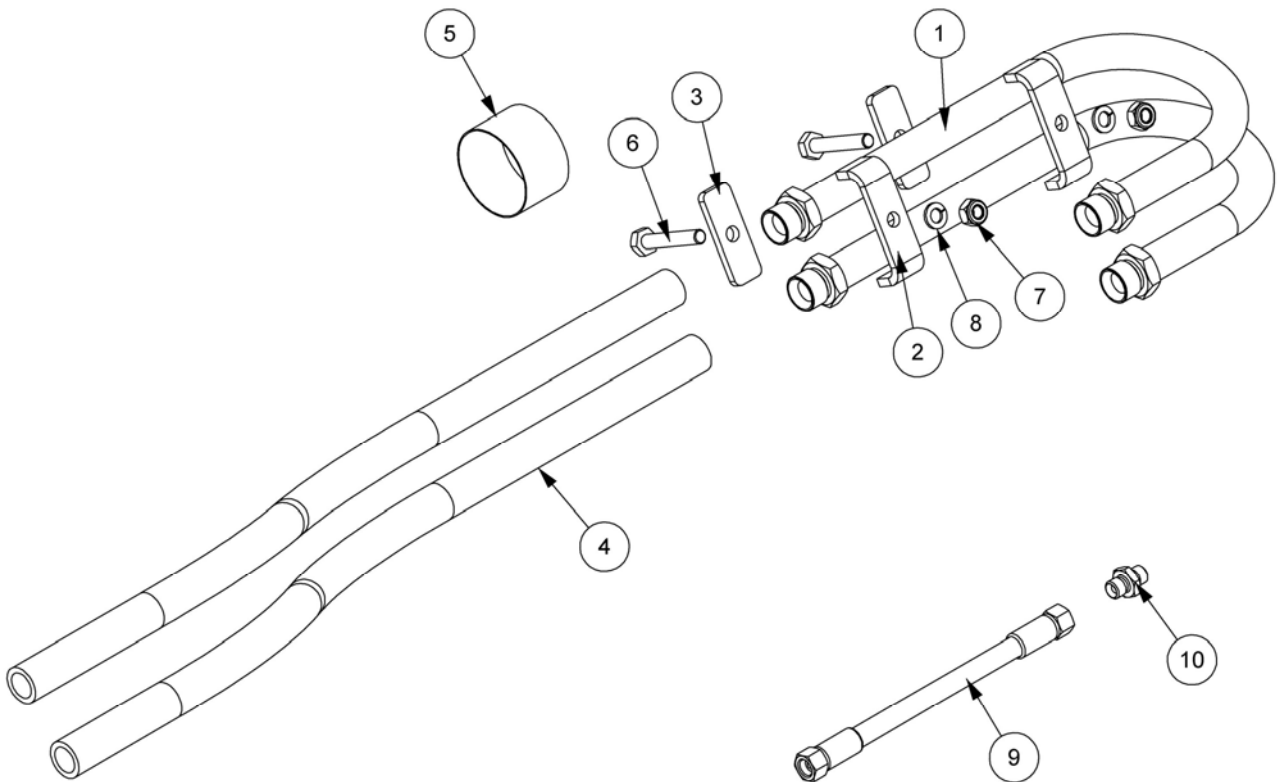
184.716A - R/H CONVERSION KIT (STANDARD POWER)



REF.	QTY.	PART No.	DESCRIPTION
		<b>184.716A</b>	<b>R/H CONVERSION KIT - STD. POWER</b>
1	2	186.058	HYDRAULIC STEEL PIPE
2	2	184.517	PIPE CLAMP
3	2	184.731	CLAMP PLATE
4	2	004.442.01	HOSE - 3/4" BSP STXST x 655mm
5	1	T7947	LAY FLAT 65MM BORE (YELLOW)
6	2	9213125	BOLT
7	2	9163005	NYLOC NUT
8	2	9100205	SPRING WASHER

**R/H CONVERSION KIT (High Power Builds)**

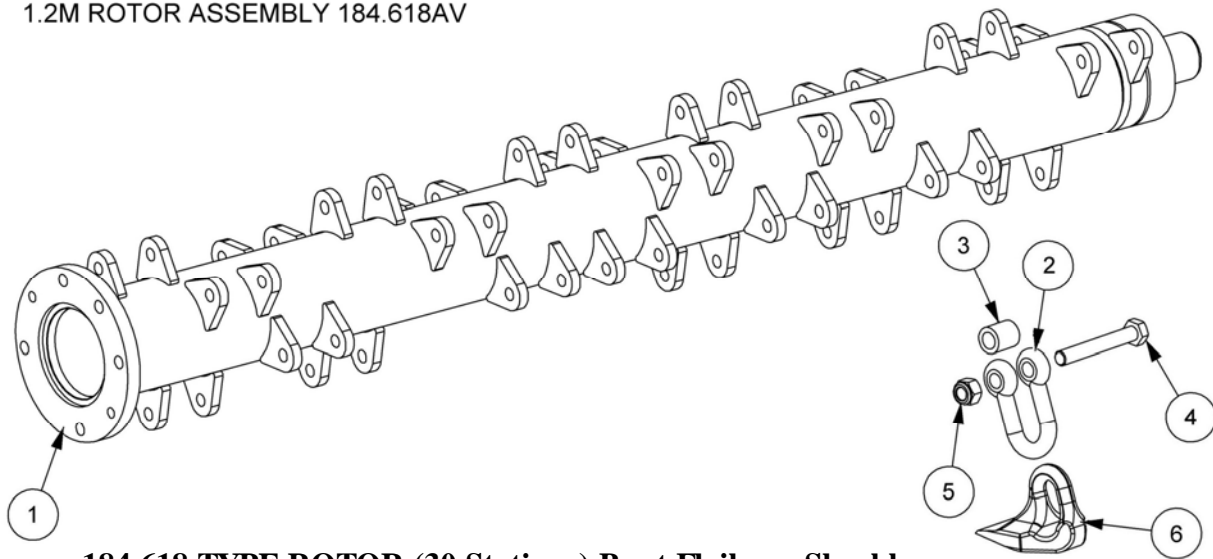
184.716B - R/H CONVERSION KIT (HIGH POWER)



REF.	QTY.	PART No.	DESCRIPTION
		<b>184.716B</b>	<b>R/H CONVERSION KIT - HIGH POWER</b>
1	2	186.058	HYDRAULIC STEEL PIPE
2	2	184.517	PIPE CLAMP
3	2	184.731	CLAMP PLATE
4	2	004.442.01	HOSE - 3/4" BSP STXST x 655mm
5	1	T7947	LAY FLAT 65MM BORE (YELLOW)
6	2	9213125	BOLT
7	2	9163005	NYLOC NUT
8	2	9100205	SPRING WASHER
9	1	10.001.24	HOSE - 1/4"B SP FS/FS x 1400mm
10	1	8581169	ADAPTOR

**1.2M ROTOR & FLAIL ASSEMBLIES**

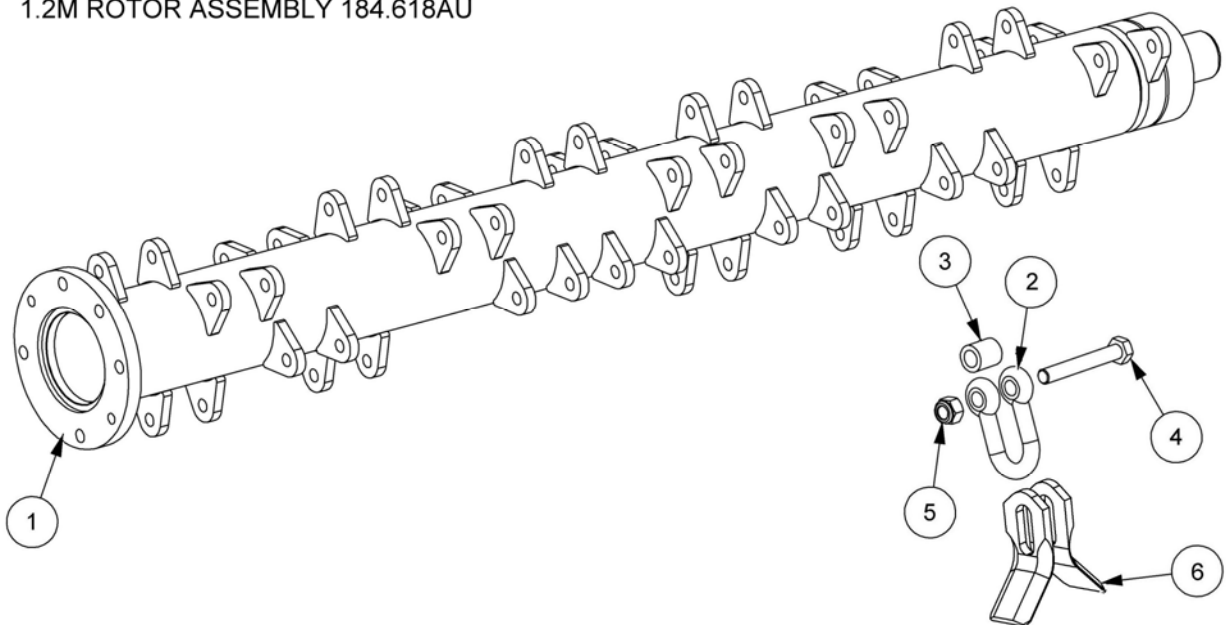
1.2M ROTOR ASSEMBLY 184.618AV



**184.618 TYPE ROTOR (30 Stations) Boot Flails on Shackles**

1	1	184.618AV	1.2M ROTOR c/w FLAILS & END BEARING
2	30	T1920052	SHACKLE
3	30	192.053	SPACER
4	30	1920069	BOLT
5	30	8095	NYLOCK NUT (FINE)
6	30	09.902.01	BOOT FLAIL

1.2M ROTOR ASSEMBLY 184.618AU

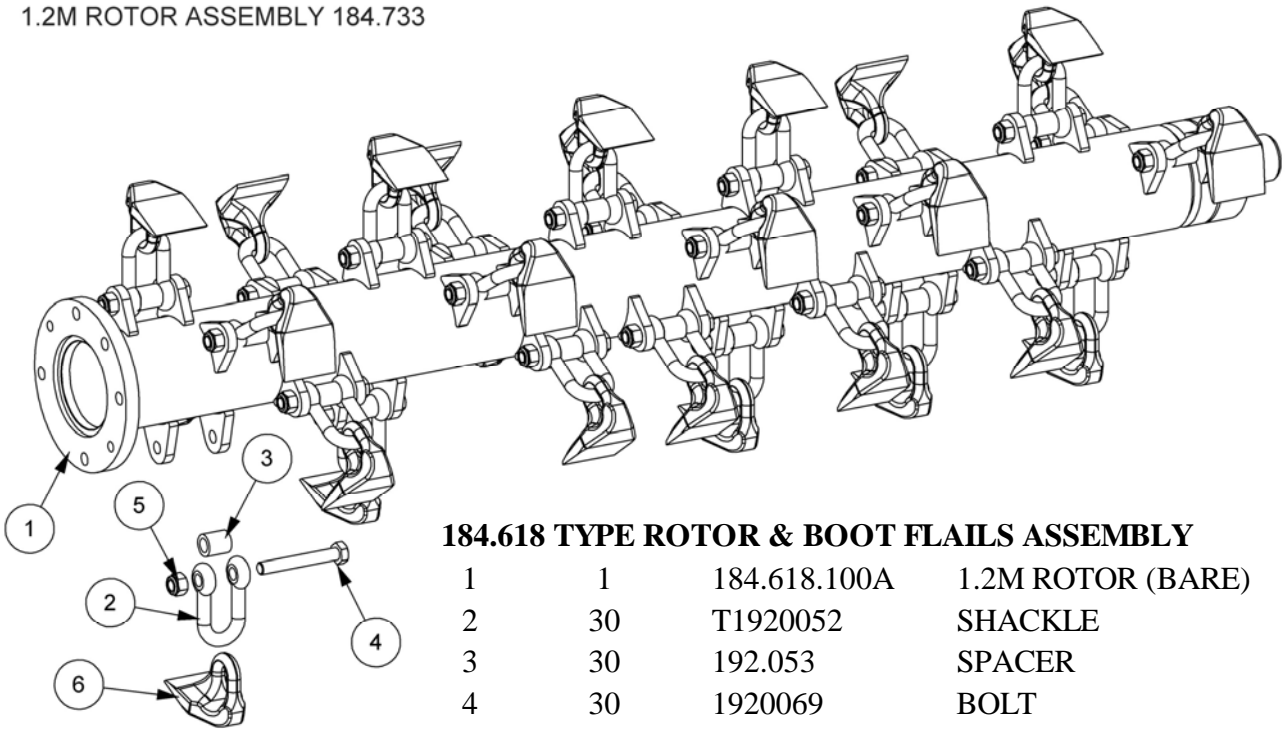


**184.618 TYPE ROTOR (30 Stations) Back to Back Flails on Shackles**

1	1	184.618AU	1.2M ROTOR c/w FLAILS & END BEARING
2	30	T1920052	SHACKLE
3	30	192.053	SPACER
4	30	1920069	BOLT
5	30	8095	NYLOCK NUT (FINE)
6	60	199.999	BACK TO BACK FLAIL

# 1.2M ROTOR & FLAIL ASSEMBLIES

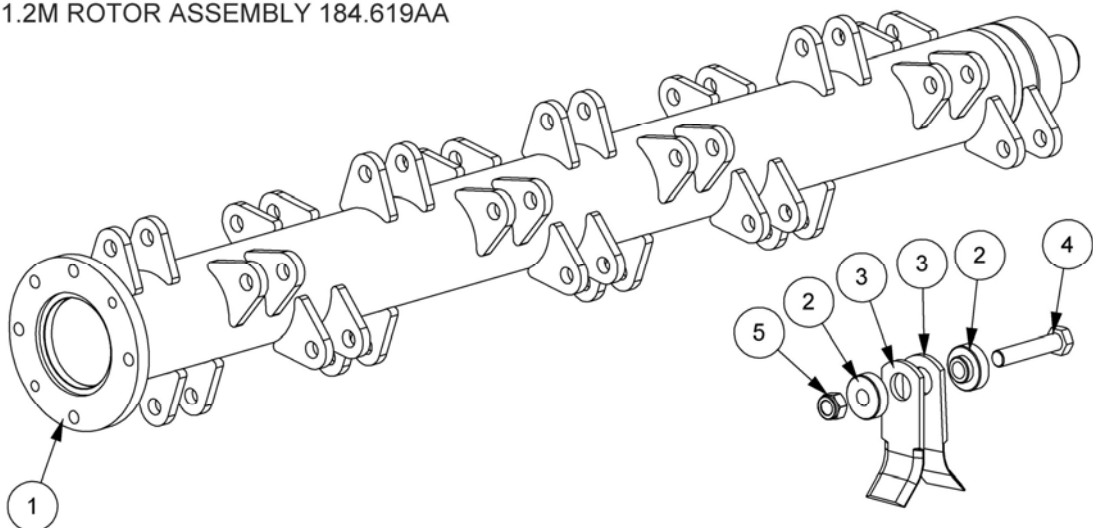
1.2M ROTOR ASSEMBLY 184.733



**184.618 TYPE ROTOR & BOOT FLAILS ASSEMBLY**

1	1	184.618.100A	1.2M ROTOR (BARE)
2	30	T1920052	SHACKLE
3	30	192.053	SPACER
4	30	1920069	BOLT
5	30	8095	NYLOCK NUT (FINE)
6	30	09.902.01	BOOT FLAIL

1.2M ROTOR ASSEMBLY 184.619AA

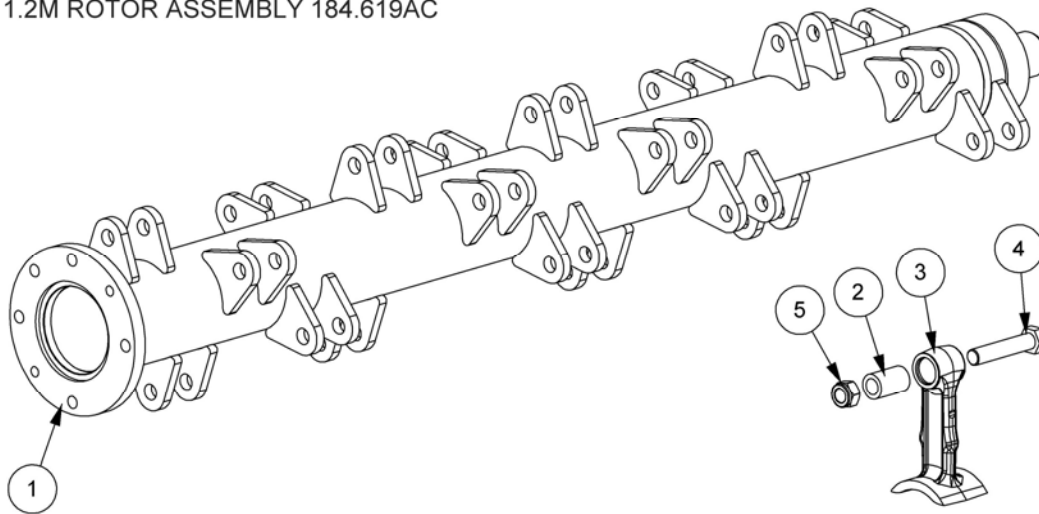


**184.619 TYPE ROTOR (24 Stations) with Rigid 'Back to Back' Flails**

1	1	184.619AA	1.2M ROTOR c/w FLAILS & END BEARING
2	48	184.500	SPACER
3	48	7190315	FLAIL - BACK TO BACK
4	24	T7943	BOLT
5	24	T7942	NYLOCK NUT (FINE)

**1.2M ROTOR & FLAIL ASSEMBLIES**

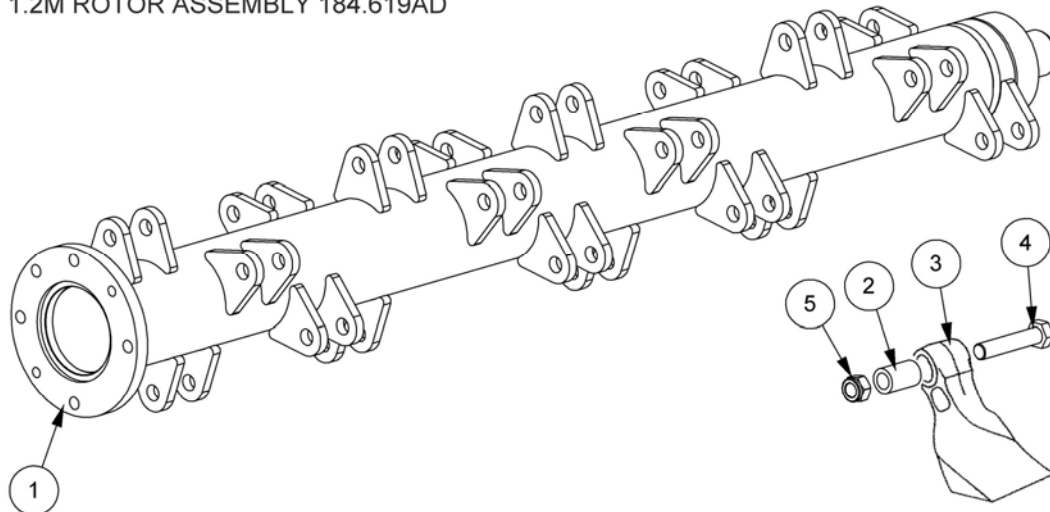
1.2M ROTOR ASSEMBLY 184.619AC



**184.619 TYPE ROTOR (24 Stations) with Lump Flails**

1	1	184.619AC	1.2M ROTOR c/w FLAILS & END BEARING
2	24	184.106	SPACER
3	24	1840093C	FLAIL - HEAVY DUTY
4	24	T7943	BOLT
5	24	T7942	NYLOCK NUT (FINE)

1.2M ROTOR ASSEMBLY 184.619AD

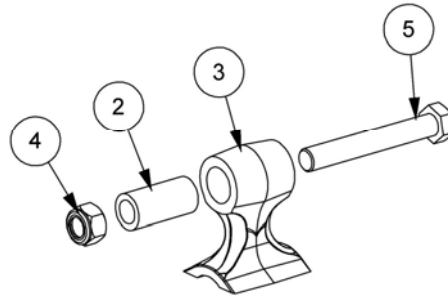


**184.619 TYPE ROTOR (24 Stations) with Rigid 'Back to Back' Flails**

1	1	184.619AD	1.2M ROTOR c/w FLAILS & END BEARING
2	24	184.106	SPACER
3	24	T1840330	FLAIL - HEAVY DUTY GRASS
4	24	T7943	BOLT
5	24	T7942	NYLOCK NUT (FINE)

**1.2M ROTOR & FLAIL ASSEMBLIES**

1.2M ROLLICOUPE ROTOR 184.620  
*Rotor not illustrated*



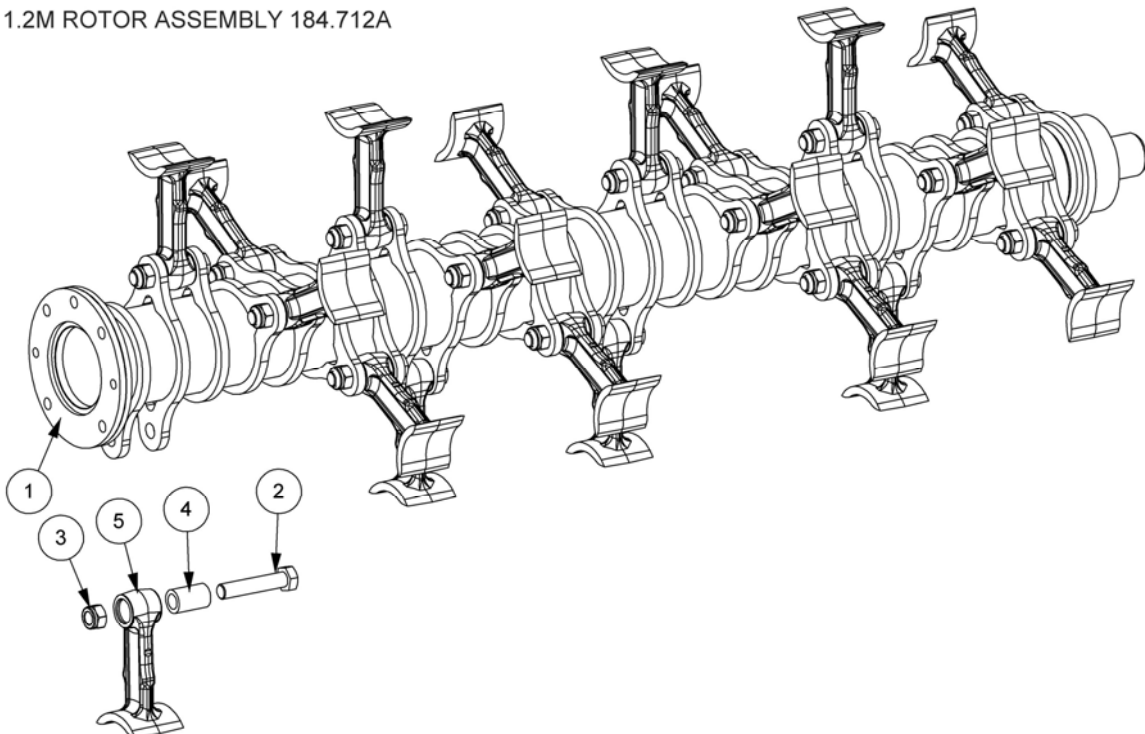
**184.620 TYPE ROTOR (20 Stations) with Rollicoupe Flails**

1	1	184620G	* 1.2M ROTOR c/w FLAILS & END BEARING
2	20	184.571	SPACER
3	20	1840572	FLAIL - ROLLICOUPE
4	20	9163007	NYLOCK NUT
5	20	8092U	BOLT

\* *not illustrated*

Rotor 184.620 is a highly specialised rotor which accepts only the type of flail listed. The rotors appearance is totally different to those illustrated previously, the structure resembles a large cyclinder into which the flails can retract.

1.2M ROTOR ASSEMBLY 184.712A

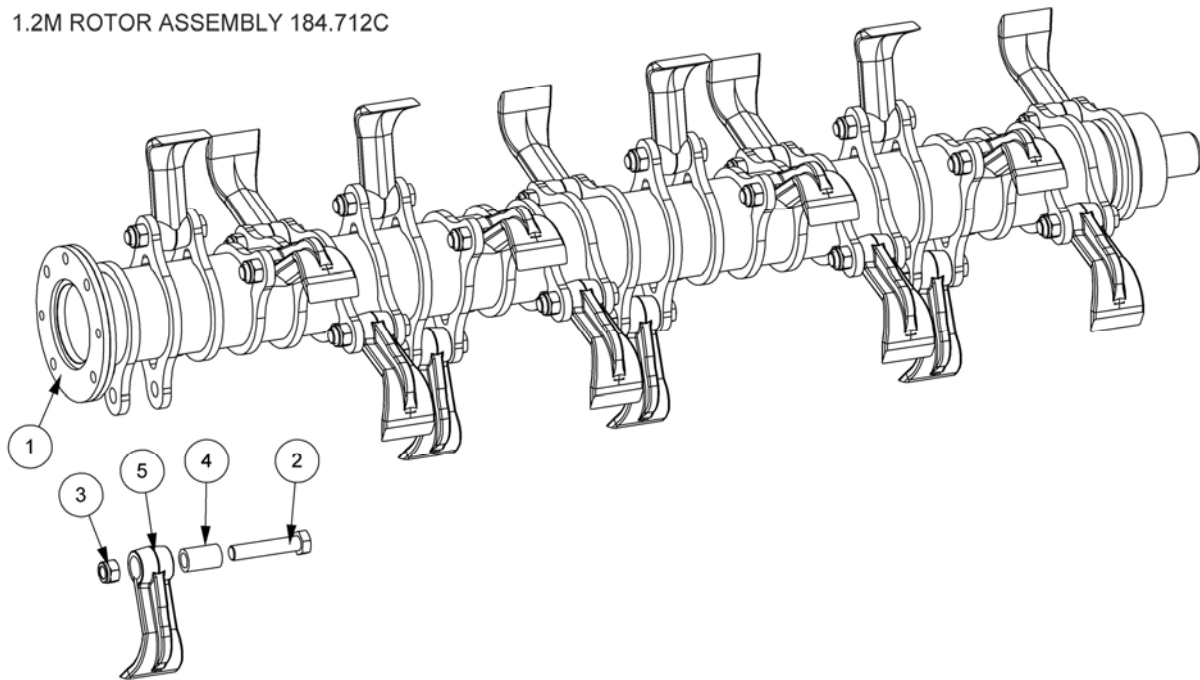


**184.701 TYPE ROTOR (24 Stations) with Heavy Duty Flails**

1	1	184.701A	1.2M 'WRAP AROUND' ROTOR (BARE)
2	24	T7943	BOLT
3	24	T7942	NYLOC NUT
4	24	184.106	FLAIL SPACER
5	24	1840093C	FLAIL - HEAVY DUTY

**1.2M ROTOR & FLAIL ASSEMBLIES**

1.2M ROTOR ASSEMBLY 184.712C



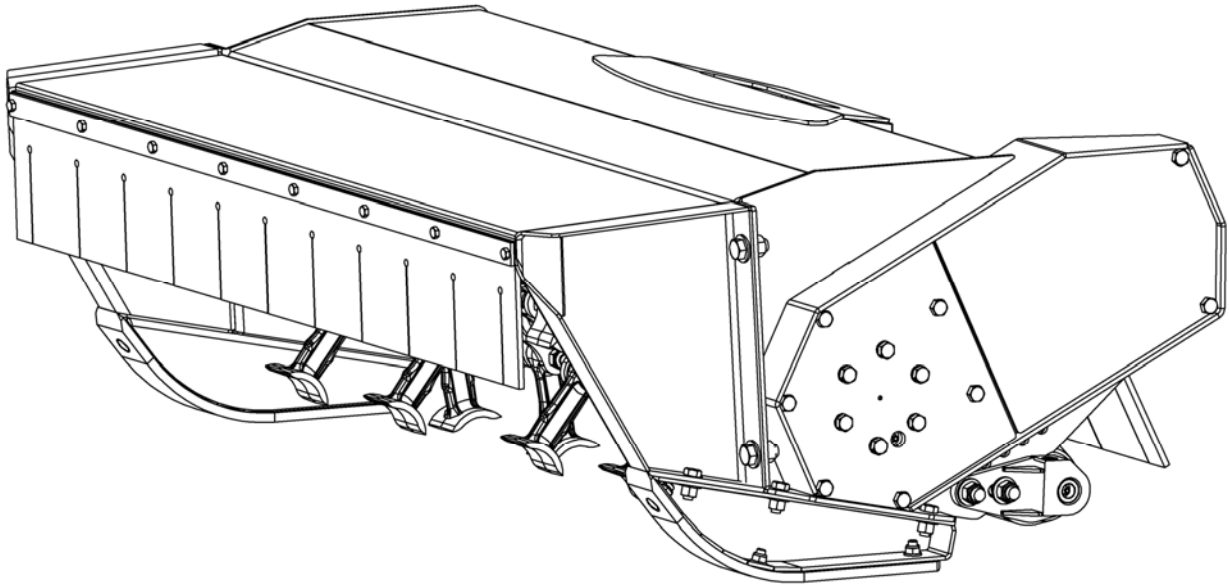
**184.701 TYPE ROTOR (24 Stations) with Single Edged Flails**

1	1	184.701A	1.2M 'WRAP AROUND' ROTOR (BARE)
2	24	T7943	BOLT
3	24	T7942	NYLOC NUT
4	24	184.106	FLAIL SPACER
5	24	7390276	FLAIL - SINGLE EDGED



**FLAILHEADS**  
**1.2m & 1.5m Belt Drive**  
**Applicable to Machines 01/12 onwards**

## FLAILHEAD BUILDS



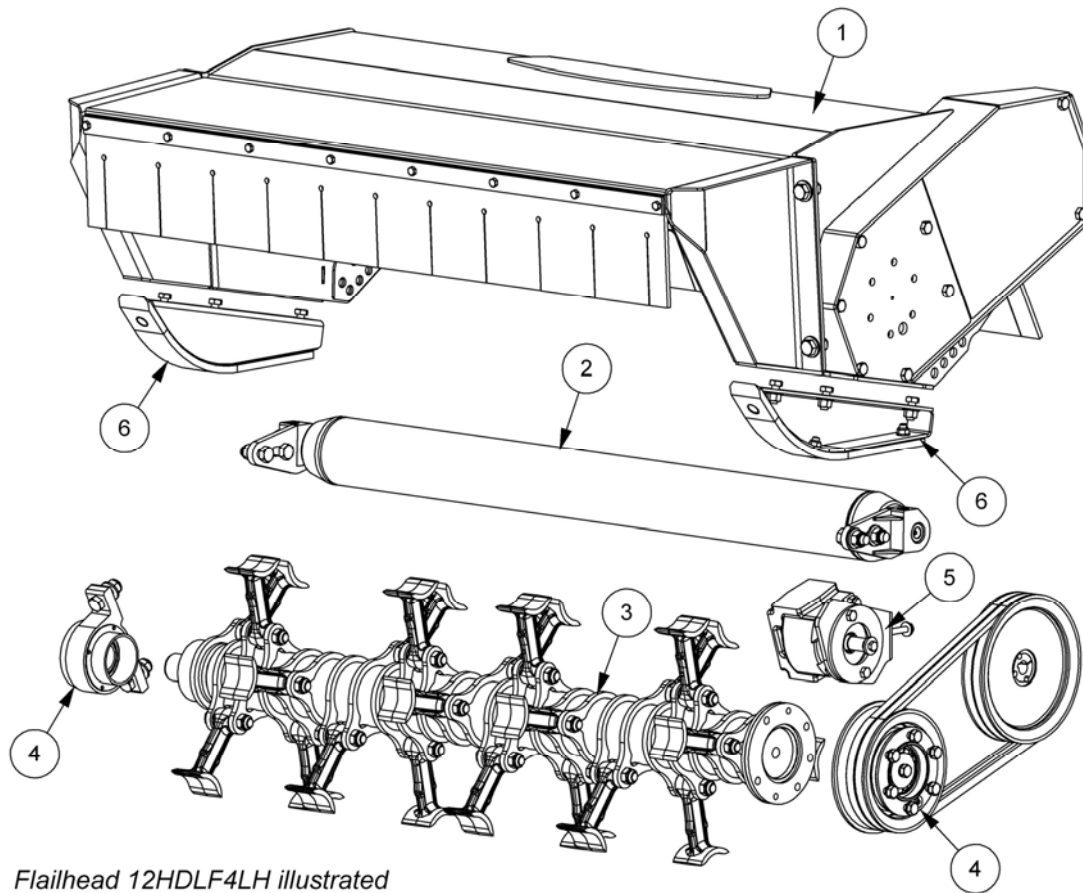
### STANDARD POWER HEADS

PART No.	SPECIFICATION	
12HDLF4LH	1.2M FLAILHEAD (LUMP FLAIL) 4" ROLLER	L/H Build
12HDLF4RH	1.2M FLAILHEAD (LUMP FLAIL) 4" ROLLER	R/H Build
12HDCF4LH	1.2M FLAILHEAD (COMP. FLAIL) 4" ROLLER	L/H Build
12HDBB4LH	1.2M FLAILHEAD (GRASS FLAIL) 4" ROLLER	L/H Build
12HDBB4RH	1.2M FLAILHEAD (GRASS FLAIL) 4" ROLLER	R/H Build
12HDBB5LH	1.2M FLAILHEAD (GRASS FLAIL) 5½" ROLLER	L/H Build
12HDBB5RH	1.2M FLAILHEAD (GRASS FLAIL) 5½" ROLLER	R/H Build
12HDBF4LH	1.2M FLAILHEAD (BOOT FLAIL) 4" ROLLER	L/H Build
12HDRC4RH	1.2M ROLLICOUP FLAILHEAD 4" ROLLER	R/H Build

### HIGH POWER HEADS

PART No.	SPECIFICATION	
12HDLF4LH2	1.2M HP FLAILHEAD (LUMP FLAIL) 4" ROLLER	L/H Build
12HDLF4RH2	1.2M HP FLAILHEAD (LUMP FLAIL) 4" ROLLER	R/H Build
15HDLF4LH2	1.5M HP FLAILHEAD (LUMP FLAIL) 4" ROLLER	L/H Build
15HDLF4RH2	1.5M HP FLAILHEAD (LUMP FLAIL) 4" ROLLER	R/H Build
12HDCF4LH2	1.2M HP FLAILHEAD (COMP. FLAIL) 4" ROLLER	L/H Build
12HDBB4LH2	1.2M HP FLAILHEAD (GRASS FLAIL) 4" ROLLER	L/H Build
12HDBB4RH2	1.2M HP FLAILHEAD (GRASS FLAIL) 4" ROLLER	R/H Build
12HDBB5LH2	1.2M HP FLAILHEAD (GRASS FLAIL) 5½" ROLLER	L/H Build
12HDBB5RH2	1.2M HP FLAILHEAD (GRASS FLAIL) 5½" ROLLER	R/H Build
15HDBB4LH2	1.5M HP FLAILHEAD (GRASS FLAIL) 4" ROLLER	L/H Build
15HDBB4RH2	1.5M HP FLAILHEAD (GRASS FLAIL) 4" ROLLER	R/H Build
12HDRC4RH2	1.2M HP ROLLICOUP FLAILHEAD 4" ROLLER	R/H Build

**FLAILHEAD MODULES**



*Flailhead 12HDLF4LH illustrated*

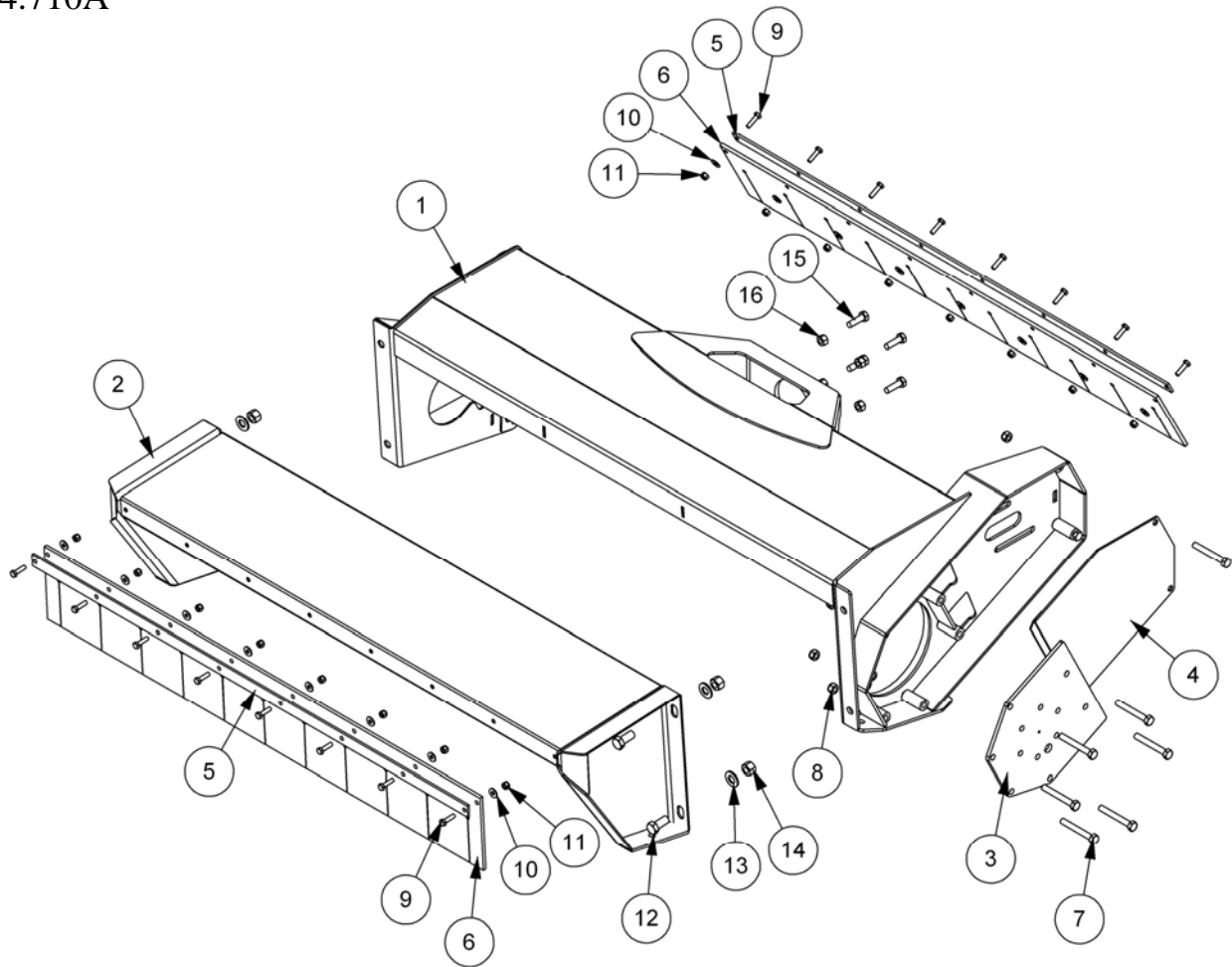
REF.	QTY.	PART No.	DESCRIPTION
1	1	184.710A	1.2M CASING MODULE
	1	184.710B	1.5M CASING MODULE
2	1	184.711A	1.2M ROLLER MODULE (4")
	1	184.711B	1.5M ROLLER MODULE (4")
	1	184.711C	1.2M ROLLER MODULE (5½")
3	1	184.712AS	1.2M ROTOR ASSEMBLY (LUMP FLAIL)
	1	184.712BS	1.5M ROTOR ASSEMBLY (LUMP FLAIL)
	1	184.712CS	1.2M ROTOR ASSEMBLY (COMPETITION FLAIL)
	1	184.732S	1.2M ROTOR ASSEMBLY (GRASS FLAIL)
	1	184.734S	1.5M ROTOR ASSEMBLY (GRASS FLAIL)
	1	184.733S	1.2M ROTOR ASSEMBLY (BOOT FLAIL)
	1	184.620S	1.2M ROLLICOUP ROTOR ASSEMBLY
4	1	184.714	DRIVE MODULE
5	1	184.715A	MOTOR MODULE - Standard Power Builds
	1	184.715B	MOTOR MODULE - High Power Builds
6	1	184.717	SKID KIT MODULE
7	* 1	184.615.900	DECAL KIT
8	* 1	184.716A	R/H CONVERSION KIT - Standard Power Builds
	1	184.716B	R/H CONVERSION KIT - High Power Builds

\* Not Shown

**Note: Modules cannot be purchased as an item.**

## 1.2M HEAD CASING ASSEMBLY

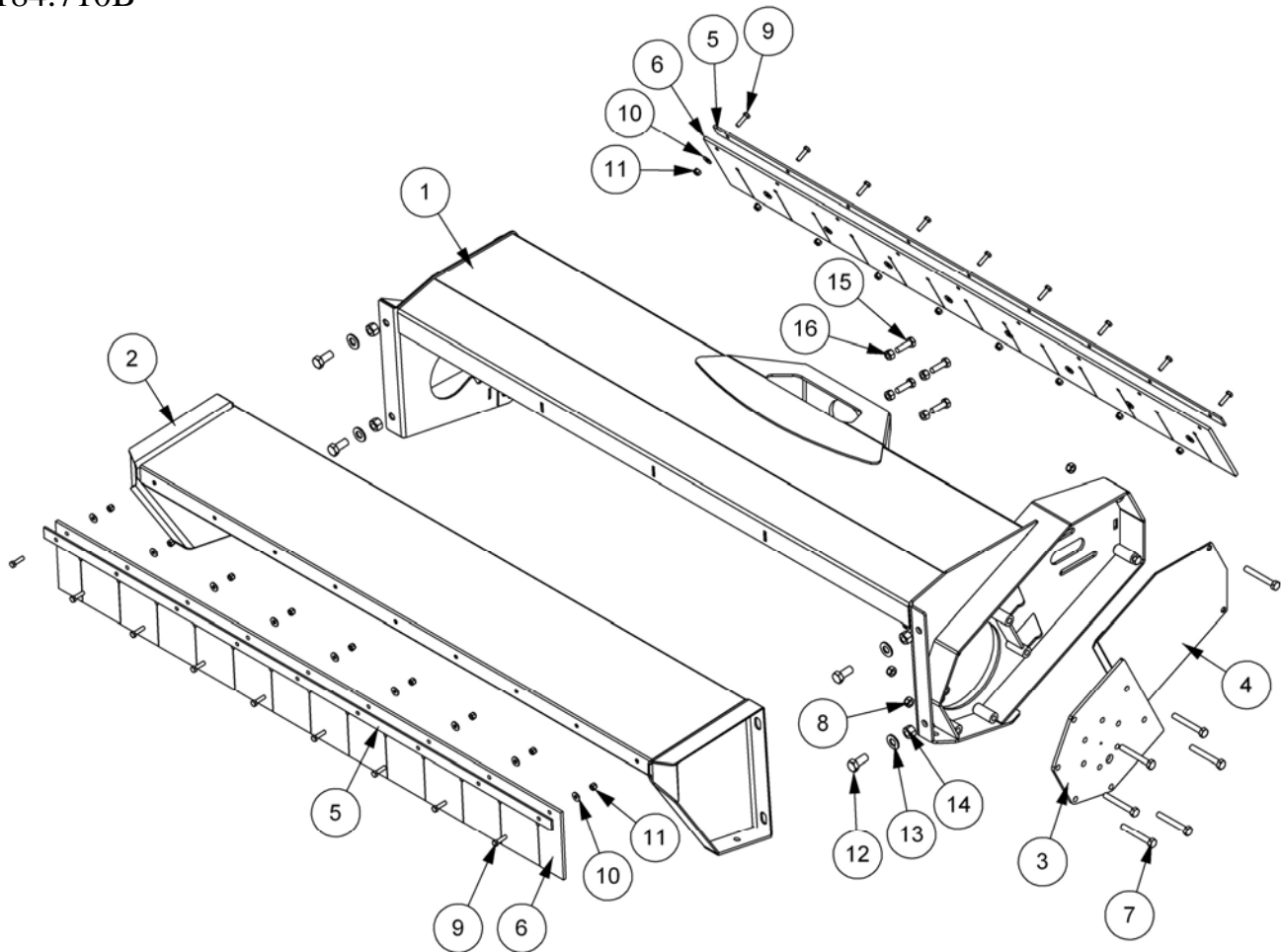
Module:  
184.710A



REF.	QTY.	PART No.	DESCRIPTION
		<b>184.710A</b>	<b>1.2M CASING ASSEMBLY</b>
1	1	184.706A	1.2M CASING (BELT DRIVE)
2	1	184.707E	HOOD (1.2M HEAD)
3	1	184.708	BEARING MOUNTING PLATE
4	1	184.723	BELT DRIVE COVER
5	2	184.617A	CLAMP STRIP (1.2M HEAD)
6	2	1840476F	CURTAIN (1.2M HEAD)
7	8	9213186	BOLT
8	8	9163006	NYLOC NUT
9	16	9313064	SETSCREW
10	16	9100104	FLAT WASHER
11	16	9163004	NYLOC NUT
12	4	9313077	SETSCREW
13	4	0100106	FLAT WASHER
14	4	9143007	SELF-LOCKING NUT
15	4	9313086	SETSCREW
16	4	9143006	SELF-LOCKING NUT

## 1.5M HEAD CASING ASSEMBLY

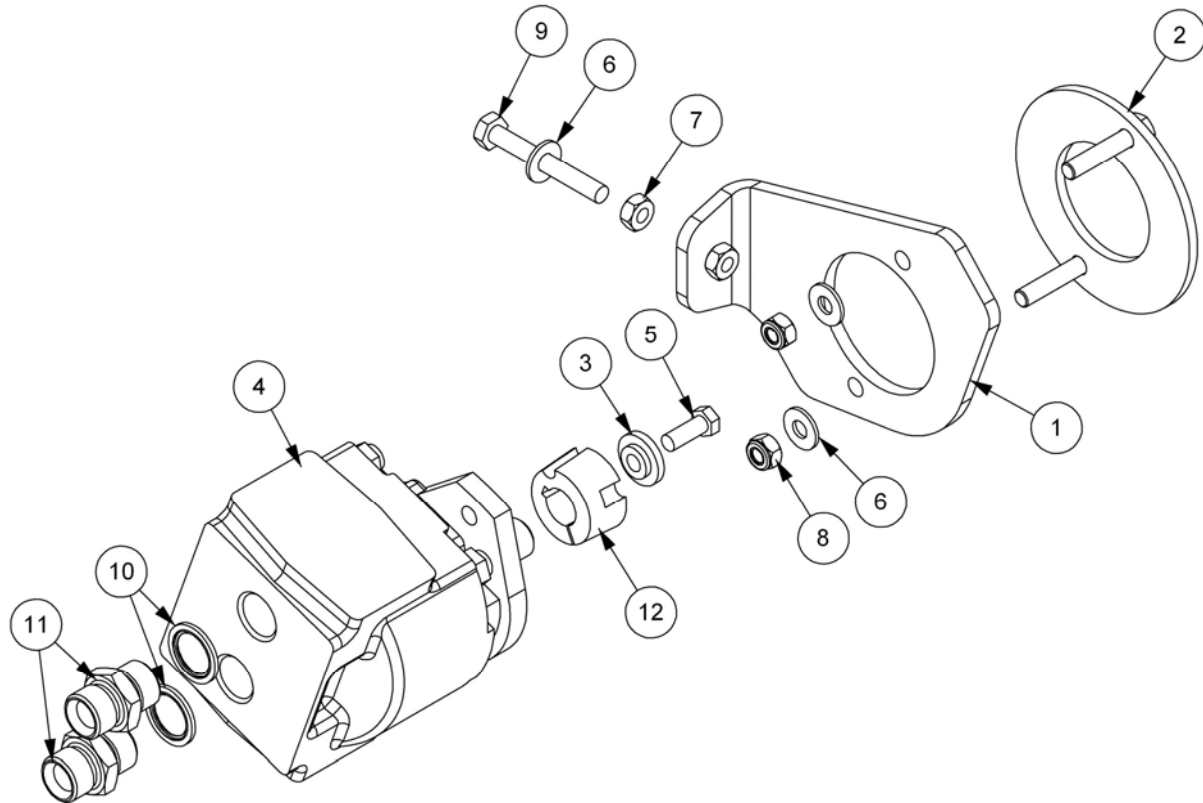
Module:  
184.710B



REF.	QTY.	PART No.	DESCRIPTION
		<b>184.710B</b>	<b>1.5M CASING ASSEMBLY</b>
1	1	184.706B	1.5M CASING (BELT DRIVE)
2	1	184.707F	HOOD (1.5M HEAD)
3	1	184.708	BEARING MOUNTING PLATE
4	1	184.723	BELT DRIVE COVER
5	2	184.617B	CLAMP STRIP (1.5M HEAD)
6	2	1840581	CURTAIN - (1.5M HEAD)
7	8	9213186	BOLT
8	8	9163006	NYLOC NUT
9	18	9313064	SETScrew
10	18	9100104	FLAT WASHER
11	18	9163004	NYLOC NUT
12	4	9313077	SETScrew
13	4	0100106	FLAT WASHER
14	4	9143007	SELF-LOCKING NUT
15	4	9313086	SETScrew
16	4	9143006	SELF-LOCKING NUT

**MOTOR ASSEMBLY – Standard Power**

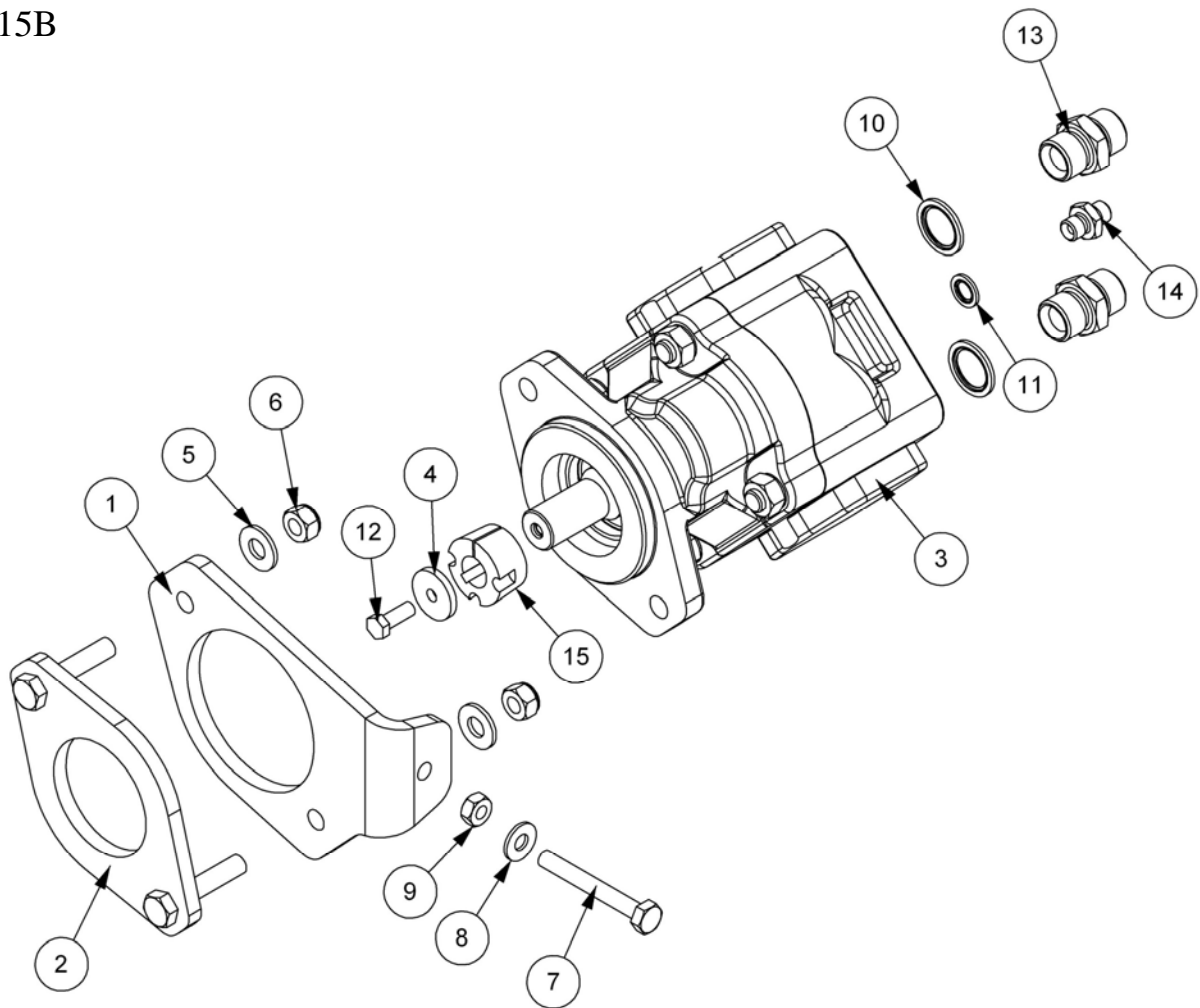
Module:  
184.715A



REF.	QTY.	PART No.	DESCRIPTION
		<b>184.715A</b>	<b>MOTOR MODULE</b>
1	1	184.724A	MOTOR PLATE
2	1	184.463	MOTOR DISC
3	1	199.300	WASHER
4	1	T8027	HYDRAULIC GEAR MOTOR
5	1	0311083	SCREW
6	3	9100105	FLAT WASHER
7	1	9113005	PLAIN NUT
8	2	9163005	NYLOC NUT
9	1	T8172	SETSCREW
10	2	8650106	BONDED SEAL
11	2	8581136	ADAPTOR
12	1	184.691	TAPERLOCK

**MOTOR MODULE – High Power**

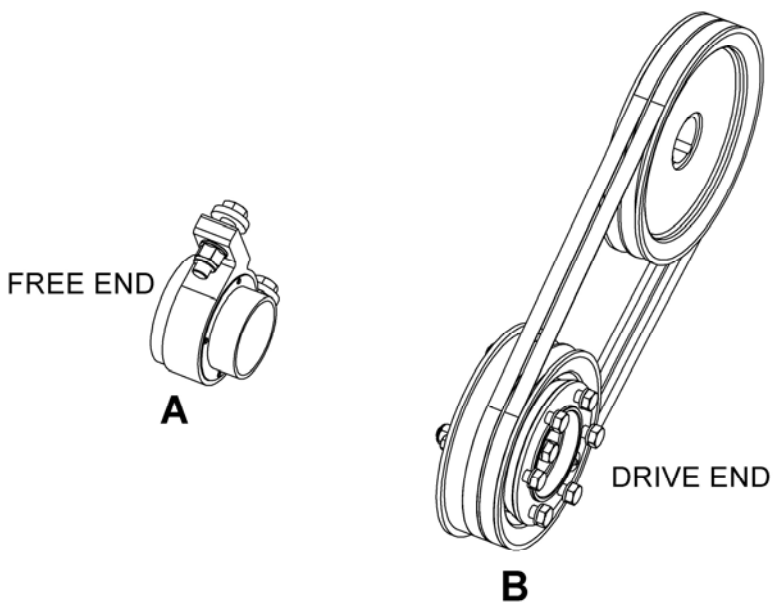
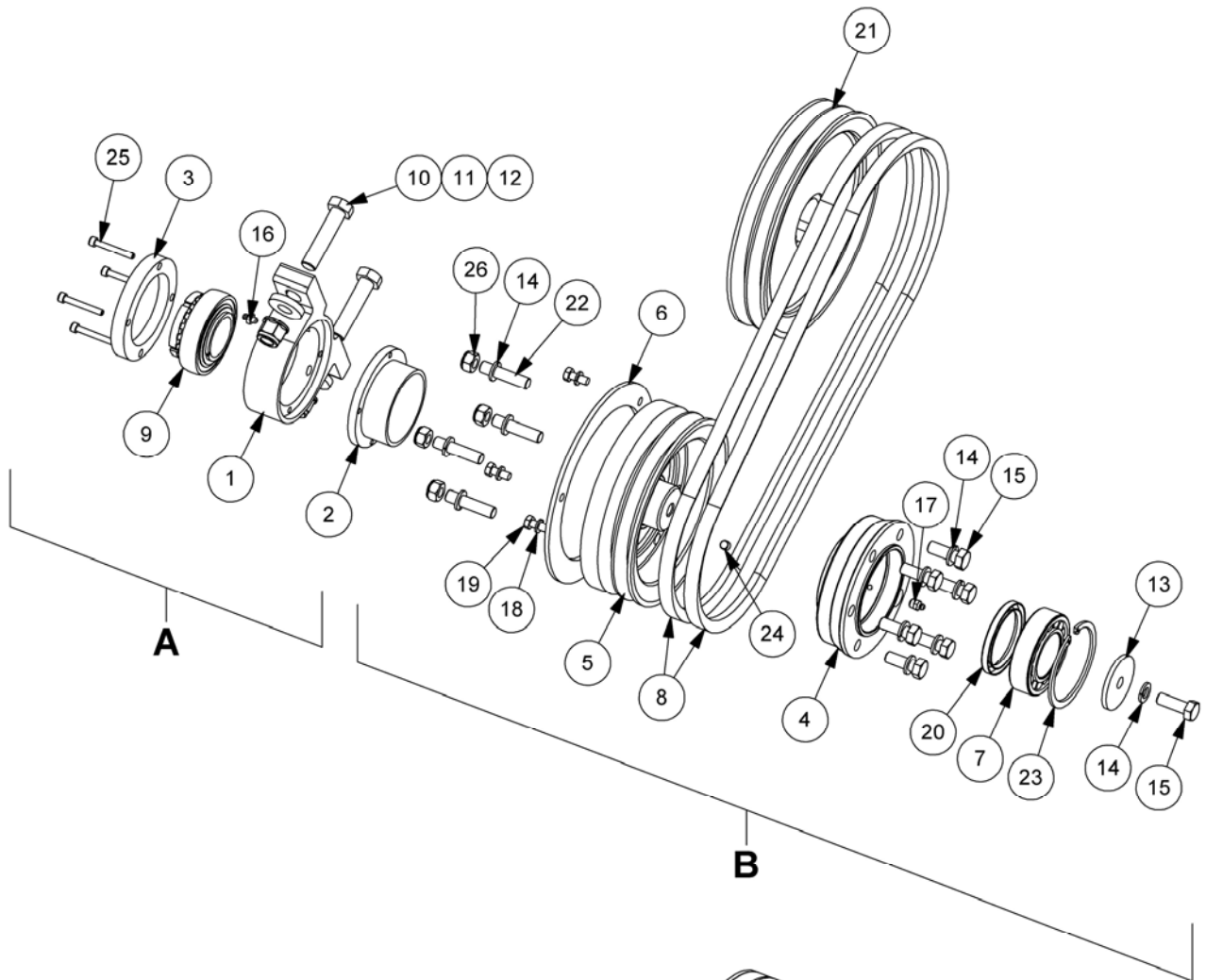
Module:  
184.715B



REF.	QTY.	PART No.	DESCRIPTION
<b>184.715B</b>			<b>MOTOR MODULE (HP)</b>
1	1	184.724B	MOTOR PLATE
2	1	184.725B	CLAMP PLATE
3	1	8301315	HYDRAULIC MOTOR (HP)
4	1	184.603	RETAINING WASHER
5	2	9100106	FLAT WASHER
6	2	9163006	NYLOC NUT
7	1	T8172	SETSCREW
8	1	9100105	FLAT WASHER
9	1	9113005	PLAIN NUT
10	2	8650106	BONDED SEAL
11	1	8650102	BONDED SEAL
12	1	0311083	SCREW
13	2	8581136	ADAPTOR
14	1	8581169	ADAPTOR
15	1	7990.2	TAPERLOCK
<b>8699263</b>			<b>MOTOR SEAL KIT</b>

**BELT DRIVE ASSEMBLY**

Module:  
184.714



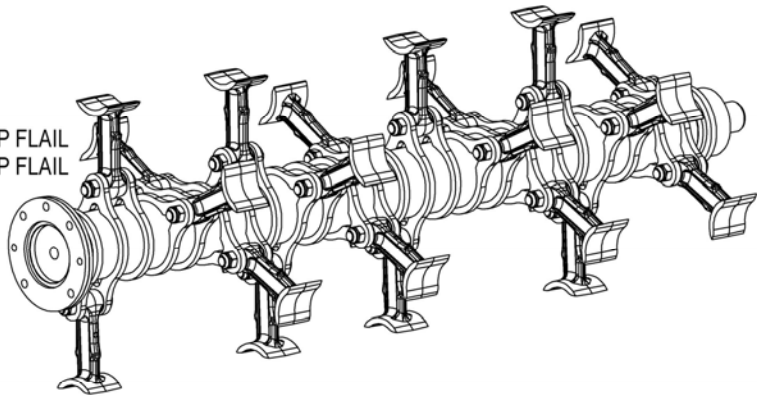


**BELT DRIVE ASSEMBLY**

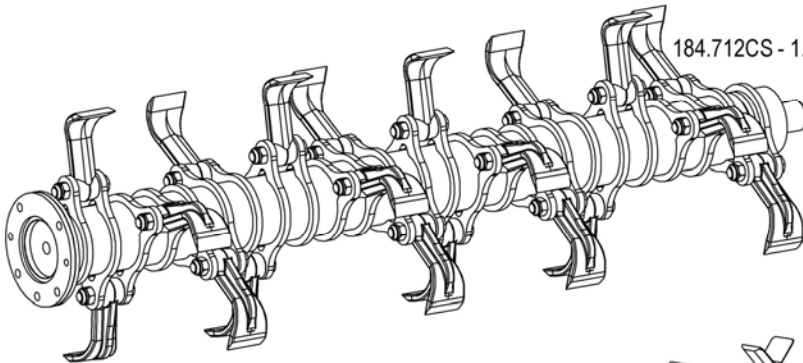
REF.	QTY.	PART No.	DESCRIPTION
		<b>184.714</b>	<b>DRIVE MODULE (BELT DRIVE)</b>
1	1	192.024	BEARING HOUSING
2	1	192.026	BEARING SHIELD
3	1	192.025	BEARING CAP
4	1	184.705	BEARING HOUSING
5	1	184.726	ROTOR PULLEY
6	1	184.636	GRASS RING
7	1	T7840	BEARING
8	2	T7692	VEE BELT
9	1	T7941	SELF-LUBE BEARING C/W SLEEVE
10	2	9200070	BOLT
11	2	7390005	SPACER
12	2	9100024	NYLOC NUT
13	1	184.461	WASHER
14	11	9100206	SPRING WASHER
15	7	T7855	BOLT
16	1	0901161	GREASE NIPPLE
17	1	0901121	GREASE NIPPLE
18	3	9100204	SPRING WASHER
19	3	9313044	SETSCREW
20	1	T7790	OIL SEAL RING
21	1	188.061	MOTOR PULLEY
22	1	04.282.06	STUD
23	1	0411290	INTERNAL CIRCLIP
24	1	8582041	TAPER PLUG
25	4	T6985	CAPSCREW
26	4	9163006	NYLOC NUT

**ROTOR ASSEMBLIES**

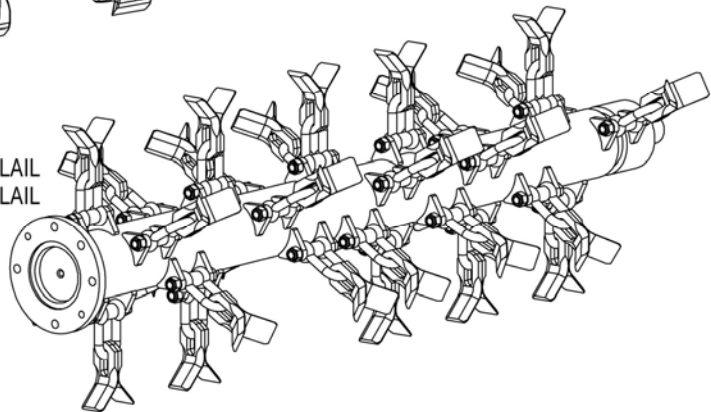
184.712AS - 1.2M ROTOR (24 STATION) LUMP FLAIL  
184.712BS - 1.5M ROTOR (30 STATION) LUMP FLAIL



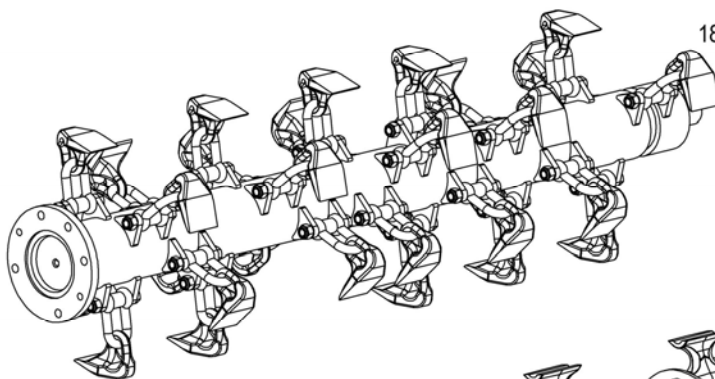
184.712CS - 1.2M ROTOR (24 STATION) COMP. FLAIL



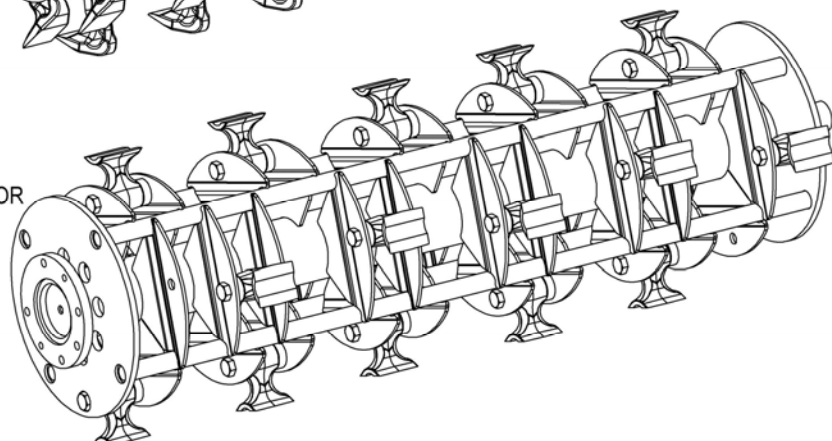
184.732S - 1.2M ROTOR (30 STATION) GRASS FLAIL  
184.734S - 1.5M ROTOR (36 STATION) GRASS FLAIL



184.733S - 1.2M ROTOR (30 STATION) BOOT FLAIL



184.620S - 1.2M ROLLICOUPE ROTOR  
(20 STATION) ROLLICOUPE FLAIL

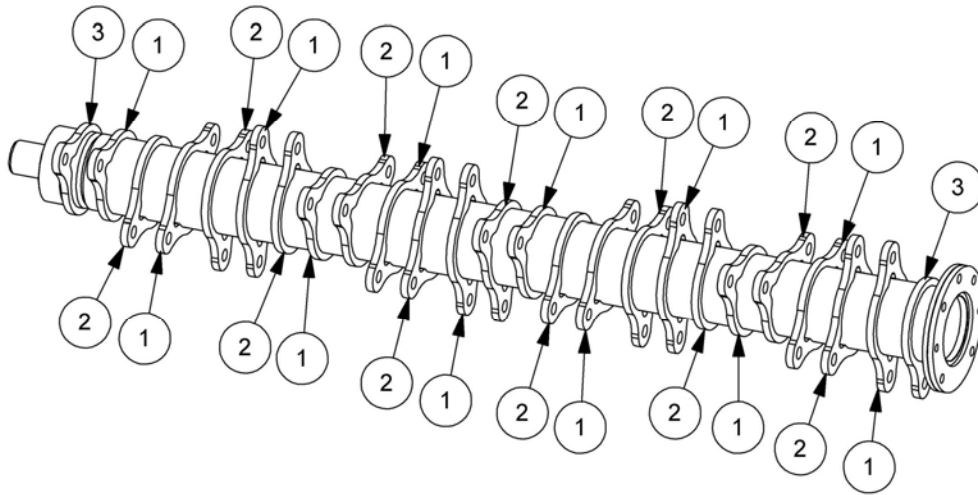


**ROTOR ASSEMBLIES**

REF.	QTY.		PART No.	DESCRIPTION
			<b>184.712AS</b>	<b>1.2M ROTOR (24 STATION) LUMP FLAIL</b>
			<b>184.712BS</b>	<b>1.5M ROTOR (30 STATION) LUMP FLAIL</b>
	<b>1.2m</b>	<b>1.5m</b>		
1	1	-	184.701A	1.2M ROTOR (WRAP AROUND)
	-	1	184.701B	1.5M ROTOR (WRAP AROUND)
2	24	30	T7943	BOLT
3	24	30	T7942	NYLOC NUT
4	24	30	184.106	FLAIL SPACER
5	24	30	1840093C	HEAVY DUTY FLAIL
			<b>184.712CS</b>	<b>1.2M ROTOR (24 STATION) COMP. FLAIL</b>
1	1	-	184.701A	1.2M ROTOR (WRAP AROUND)
2	24	-	T7943	BOLT
3	24	-	T7942	NYLOC NUT
4	24	-	184.106	FLAIL SPACER
5	24	-	7390276	SINGLE EDGED FLAIL
			<b>184.732S</b>	<b>1.2M ROTOR (30 STATION) GRASS FLAIL</b>
			<b>184.734S</b>	<b>1.5M ROTOR (36 STATION) GRASS FLAIL</b>
1	1	-	184.618.100A	1.2M ROTOR
	-	1	184.618.100B	1.5M ROTOR
2	30	36	T1920052	SHACKLE
3	60	72	199.999	GRASS FLAIL (BACK TO BACK)
4	30	36	192.053	SPACER
5	30	36	1920069	BOLT
6	30	36	8095	NYLOC NUT
			<b>184.733S</b>	<b>1.2M ROTOR (30 STATION) BOOT FLAIL</b>
1	1	-	184.618.100A	1.2M ROTOR
2	30	-	T1920052	SHACKLE
3	30	-	192.053	SPACER
4	30	-	1920069	BOLT
5	30	-	8095	NYLOC NUT
6	30	-	09.902.01	BOOT FLAIL
			<b>184.620S</b>	<b>1.2M ROLLICOUP ROTOR (20 STATION)</b>
1	1	-	184.620.100	1.2M ROLLICOUPE ROTOR
2	20	-	1840572	ROLLICOUP FLAIL
3	20	-	184.571	SPACER
4	20	-	0892U	BOLT
5	20	-	9163007	NYLOC NUT

**ROTOR LUGS – 1.2M ROTOR 184.701A**

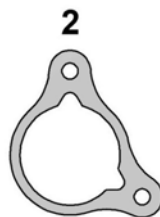
184.701A - 1.2M 'WRAP AROUND' ROTOR



REF.	QTY.	PART No.	DESCRIPTION
		<b>184.712A</b>	<b>1.2M ROTOR</b>
1	12	184.701.001	LUG (180) FOR 1.2M ROTOR
2	11	184.701.002	LUG (120) FOR 1.2M ROTOR
3	2	184.701.003	LUG (END) FOR 1.2M ROTOR



184.701.001



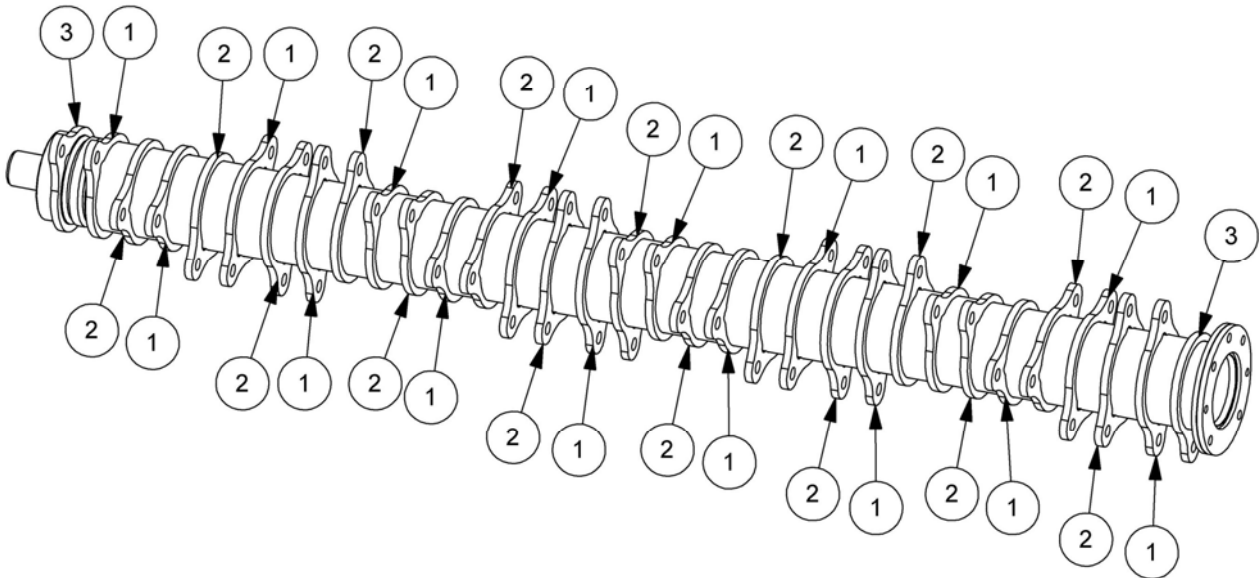
184.701.002



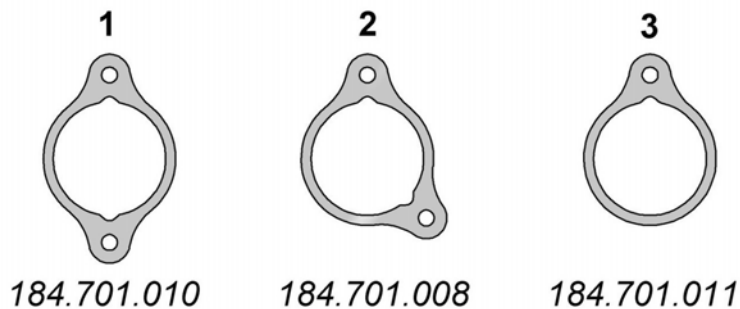
184.701.003

**ROTOR LUGS – 1.5M ROTOR 184.701B**

184.701B - 1.5M 'WRAP AROUND' ROTOR

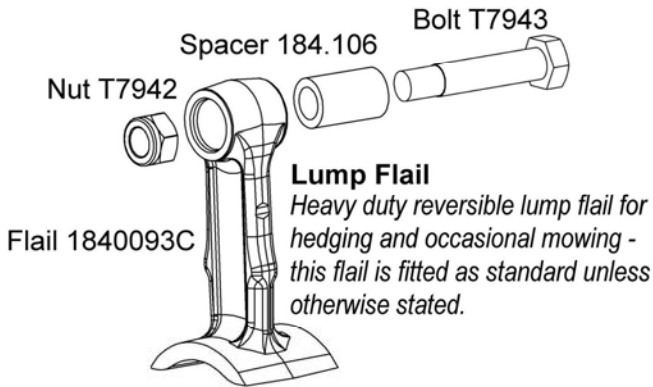


REF.	QTY.	PART No.	DESCRIPTION
		<b>184.712B</b>	<b>1.5M ROTOR</b>
1	16	184.701.010	LUG (180) FOR 1.5M ROTOR
2	15	184.701.008	LUG (144) FOR 1.5M ROTOR
3	2	184.701.011	LUG (END) FOR 1.5M ROTOR

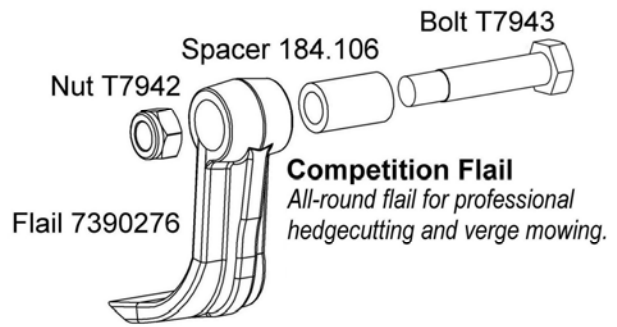


**FLAILS & FIXINGS**

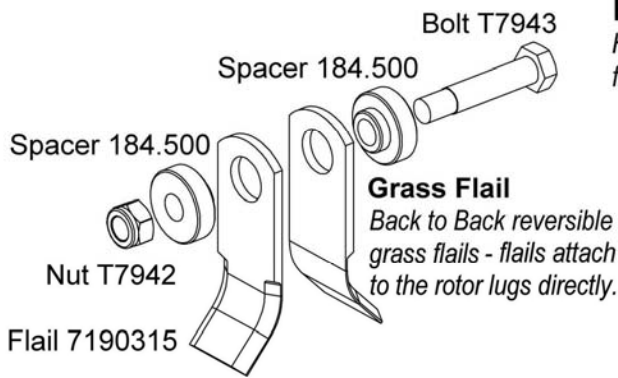
**LATE ROTORS WITH 16MM FIXINGS**



**Lump Flail**  
Heavy duty reversible lump flail for hedging and occasional mowing - this flail is fitted as standard unless otherwise stated.



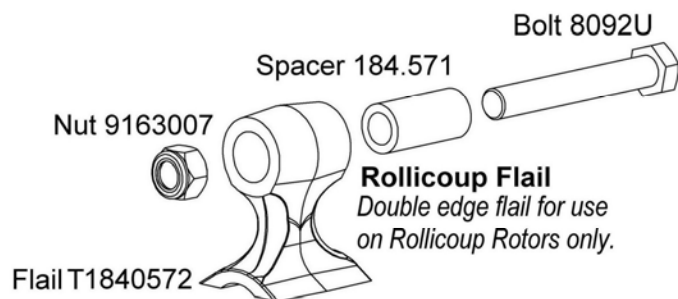
**Competition Flail**  
All-round flail for professional hedging and verge mowing.



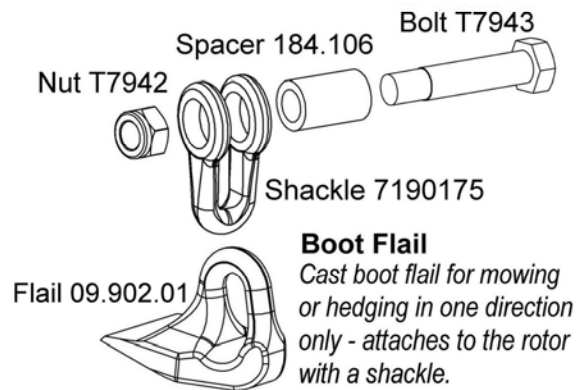
**Grass Flail**  
Back to Back reversible grass flails - flails attach to the rotor lugs directly.



**Heavy Duty Grass Flail**  
Heavy duty grass and hedging flail - cuts in one direction only.

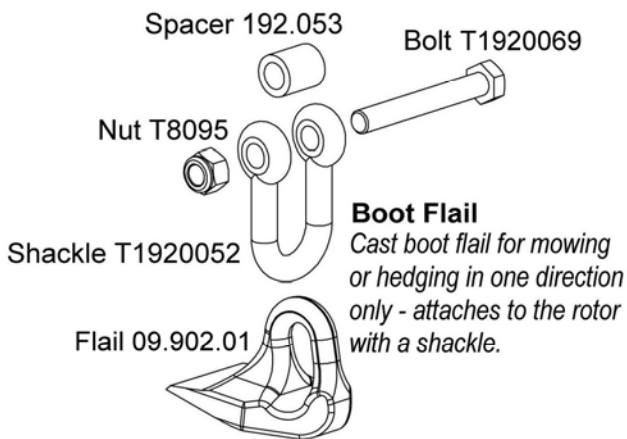


**Rollicoup Flail**  
Double edge flail for use on Rollicoup Rotors only.

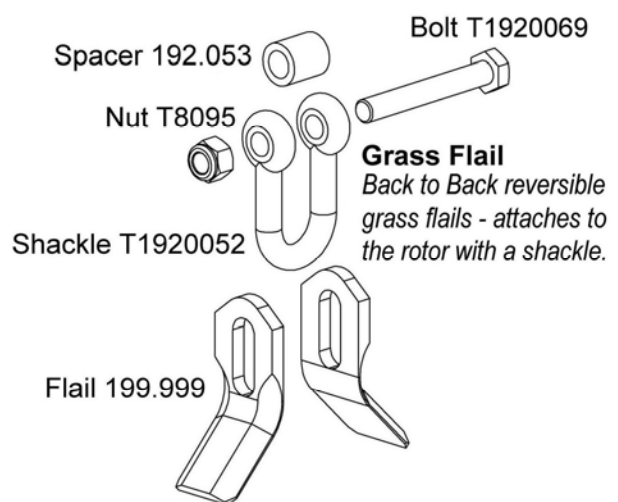


**Boot Flail**  
Cast boot flail for mowing or hedging in one direction only - attaches to the rotor with a shackle.

**EARLY ROTORS WITH 12MM FIXINGS**



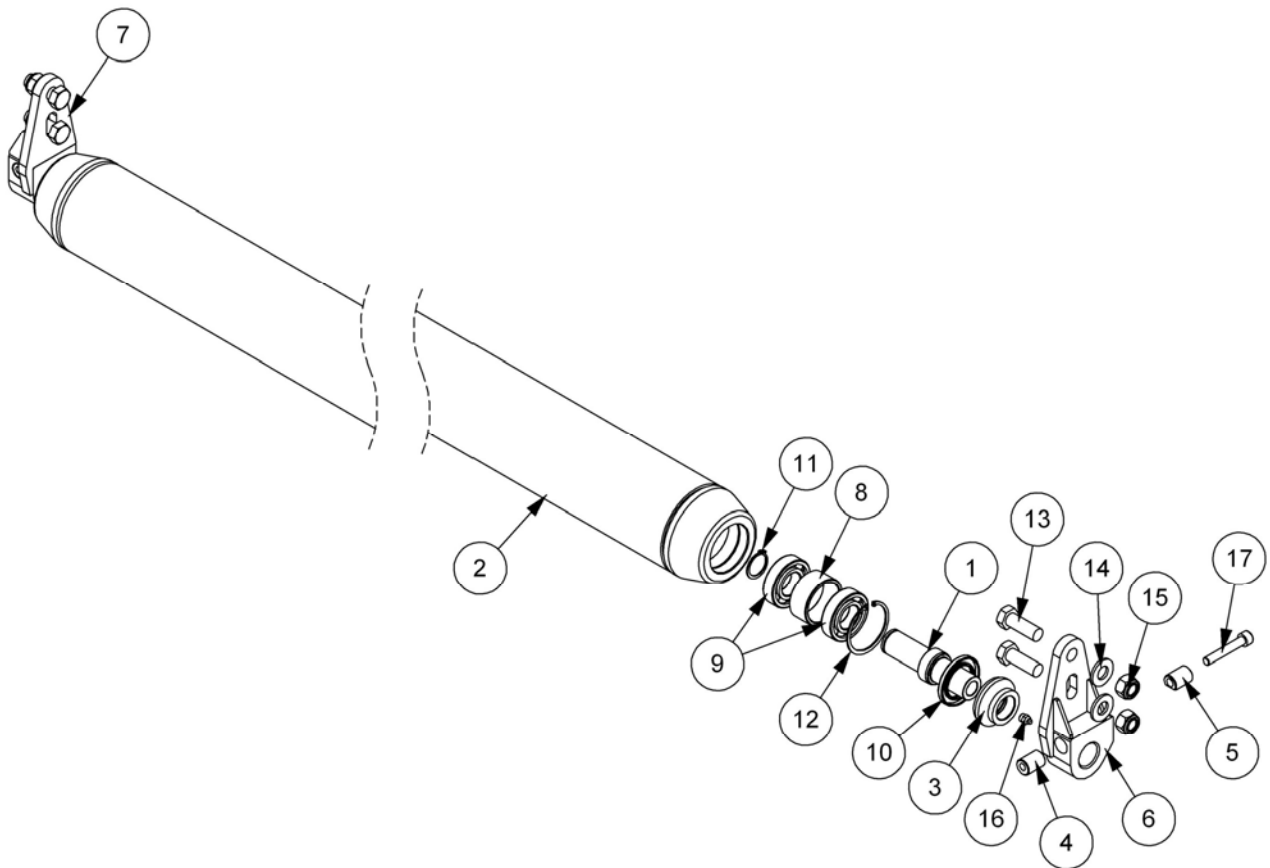
**Boot Flail**  
Cast boot flail for mowing or hedging in one direction only - attaches to the rotor with a shackle.



**Grass Flail**  
Back to Back reversible grass flails - attaches to the rotor with a shackle.

**1.2M ROLLER ASSEMBLY (4'')**

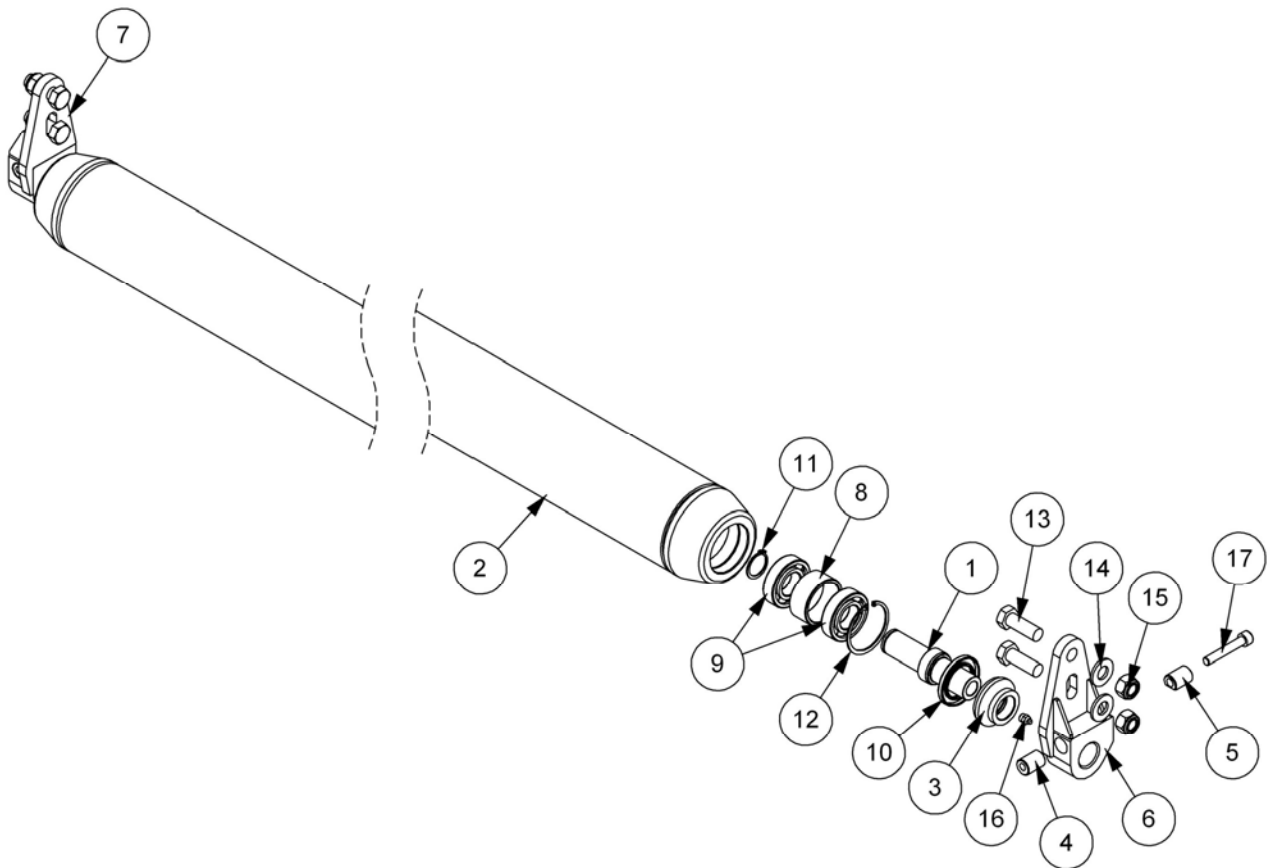
Module:  
184.711A



REF.	QTY.	PART No.	DESCRIPTION
		<b>184.711A</b>	<b>1.2M ROLLER ASSEMBLY (4'')</b>
1	2	184.702	SHAFT STUB
2	1	184.703A	1.2M ROLLER (4'')
3	2	184.704	SHIELD
4	2	184.727A	CLAMP BUSH
5	2	184.727B	CLAMP BUSH
6	1	184.728L	ROLLER BRACKET - L/H
7	1	184.728R	ROLLER BRACKET - R/H
8	2	21523.31	BEARING SPACER
9	4	0600111	BALL BEARING
10	2	8629254	ROTARY SHAFT SEAL
11	2	0401230	EXTERNAL CIRCLIP
12	2	0411262	INTERNAL CIRCLIP
13	4	9313097	SETSCREW
14	4	0100106	WASHER
15	4	9163007	NYLOC NUT
16	2	0901121	GREASE NIPPLE
17	2	9243125	CAPSCREW

**1.5M ROLLER ASSEMBLY (4'')**

Module:  
184.711B

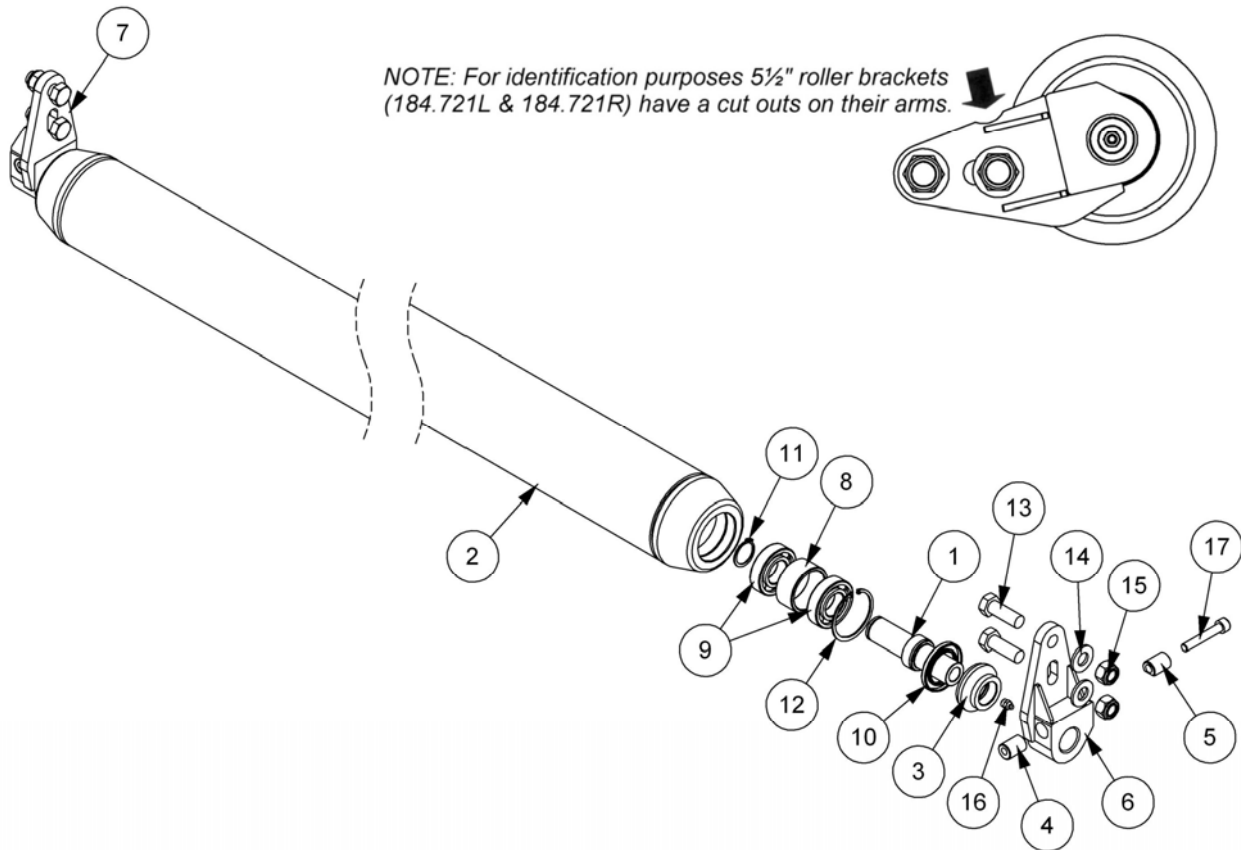


REF.	QTY.	PART No.	DESCRIPTION
		<b>184.711B</b>	<b>1.5M ROLLER ASSEMBLY (4'')</b>
1	2	184.702	SHAFT STUB
2	1	184.703B	1.5M ROLLER (4'')
3	2	184.704	SHIELD
4	2	184.727A	CLAMP BUSH
5	2	184.727B	CLAMP BUSH
6	1	184.728L	ROLLER BRACKET - L/H
7	1	184.728R	ROLLER BRACKET - R/H
8	2	21523.31	BEARING SPACER
9	4	0600111	BALL BEARING
10	2	8629254	ROTARY SHAFT SEAL
11	2	0401230	EXTERNAL CIRCLIP
12	2	0411262	INTERNAL CIRCLIP
13	4	9313097	SETSCREW
14	4	0100106	WASHER
15	4	9163007	NYLOC NUT
16	2	0901121	GREASE NIPPLE
17	2	9243125	CAPSCREW



**1.2M ROLLER ASSEMBLY (5½")**

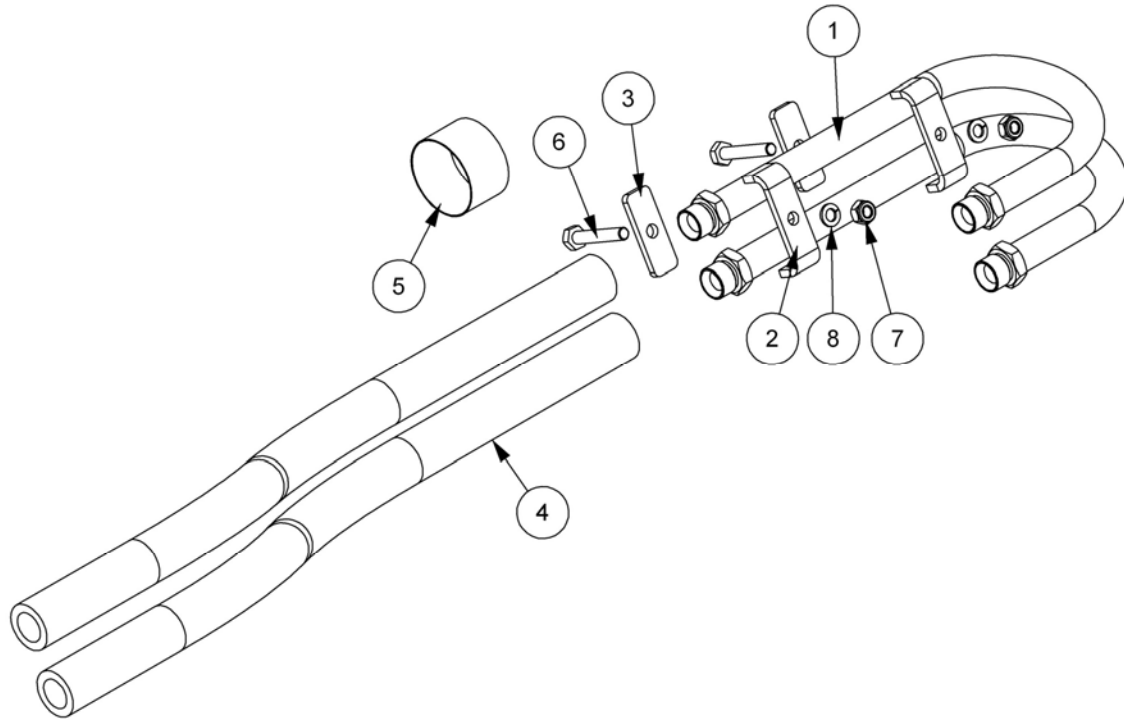
Module:  
184.711C



REF.	QTY.	PART No.	DESCRIPTION
		<b>184.711C</b>	<b>1.2M ROLLER ASSEMBLY (5½")</b>
1	2	184.702	SHAFT STUB
2	1	184.720A	1.2M ROLLER (5½")
3	2	184.704	SHIELD
4	2	184.727A	CLAMP BUSH
5	2	184.727B	CLAMP BUSH
6	1	184.721L	ROLLER BRACKET - L/H
7	1	184.721R	ROLLER BRACKET - R/H
8	2	21523.31	BEARING SPACER
9	4	0600111	BALL BEARING
10	2	8629254	ROTARY SHAFT SEAL
11	2	0401230	EXTERNAL CIRCLIP
12	2	0411262	INTERNAL CIRCLIP
13	4	9313097	SETSCREW
14	4	0100106	WASHER
15	4	9163007	NYLOC NUT
16	2	0901121	GREASE NIPPLE
17	2	9243125	CAPSCREW

**R/H CONVERSION KIT – Standard Power Builds**

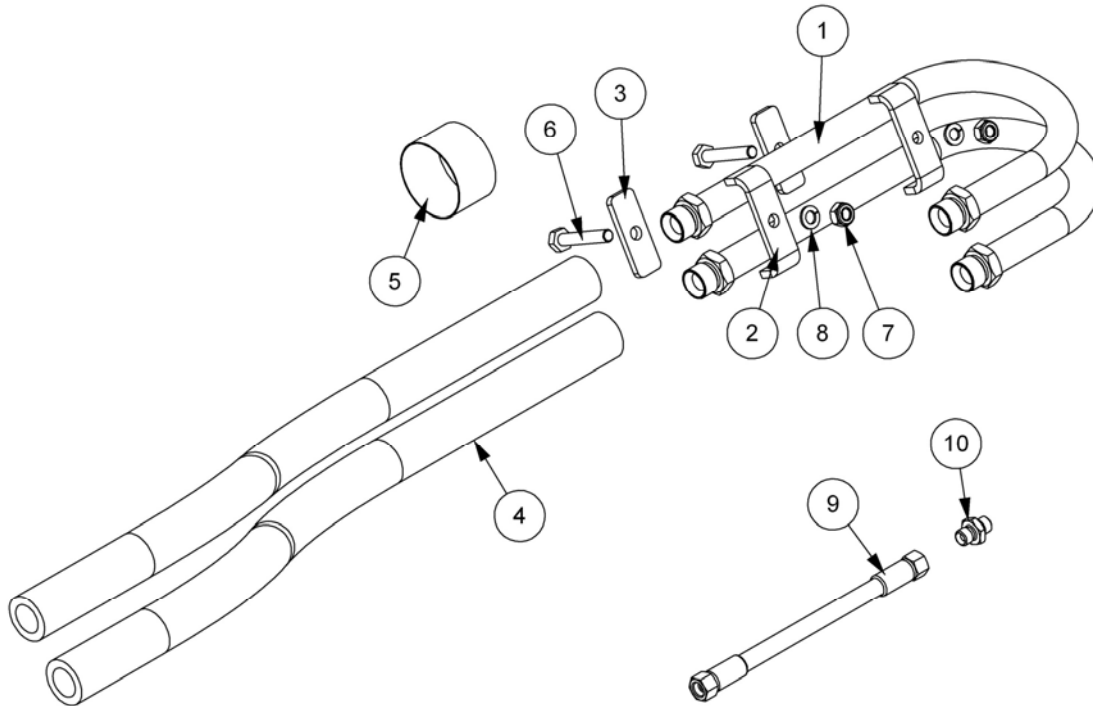
Module:  
184.716A



REF.	QTY.	PART No.	DESCRIPTION
		<b>184.716A</b>	<b>R/H CONVERSION KIT</b>
1	2	186.058	HYDRAULIC STEEL PIPE
2	2	184.517	PIPE CLAMP
3	2	184.731	CLAMP PLATE
4	2	004.442	HOSE - 3/4" BSP ST/ST x 655mm
5	1	T7947	HOSE SLEEVING
6	2	9213125	BOLT
7	2	9163005	NYLOC NUT
8	2	9100205	SPRING WASHER

**R/H CONVERSION KIT – High Power Builds**

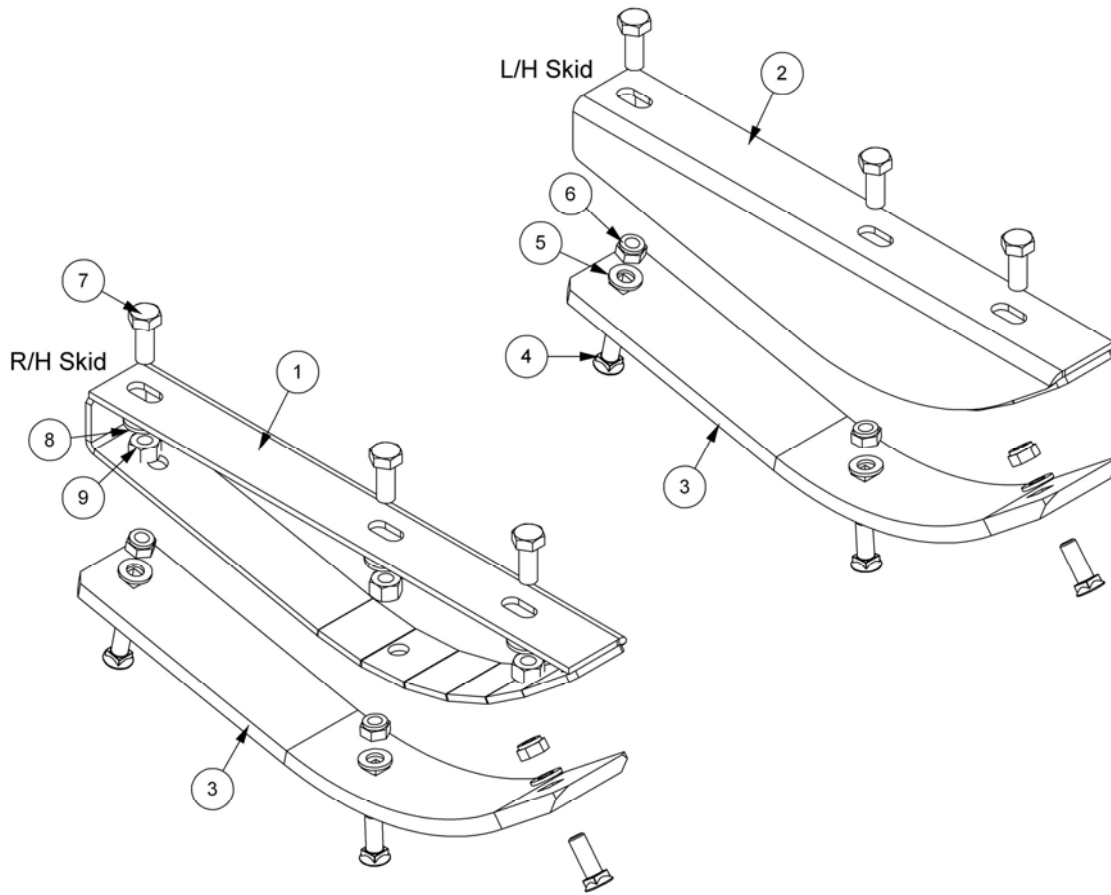
Module:  
184.716B



REF.	QTY.	PART No.	DESCRIPTION
		<b>184.716B</b>	<b>R/H CONVERSION KIT (HP)</b>
1	2	186.058	HYDRAULIC STEEL PIPE
2	2	184.517	PIPE CLAMP
3	2	184.731	CLAMP PLATE
4	2	004.442	HOSE - 3/4" BSP ST/ST x 655mm
5	1	T7947	HOSE SLEEVING
6	2	9213125	BOLT
7	2	9163005	NYLOC NUT
8	2	9100205	SPRING WASHER
9	1	10.001.24	HOSE - 1/4" BSP FS/FS x 1400mm
10	1	8581169	ADAPTOR

**SKID KIT ASSEMBLY**

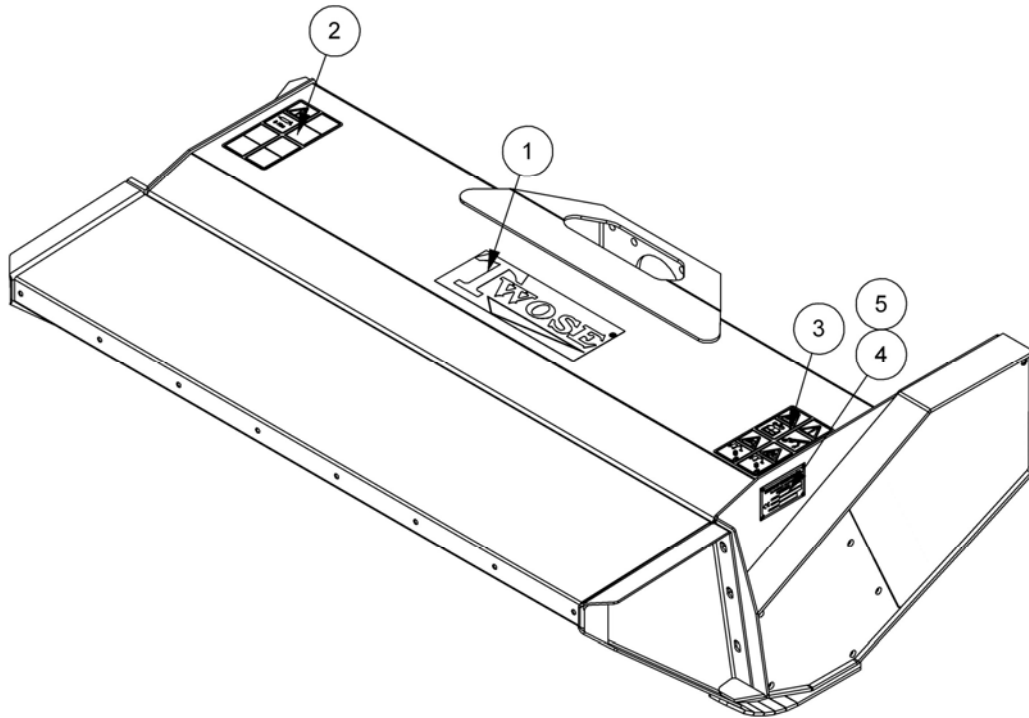
Module:  
184.717



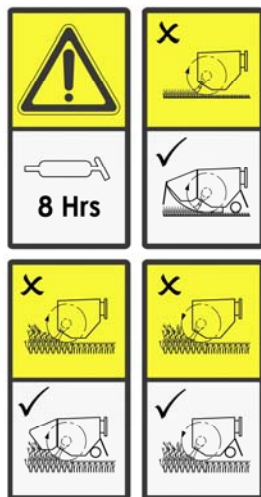
REF.	QTY.	PART No.	DESCRIPTION
		<b>184.717</b>	<b>SKID KIT ASSEMBLY</b>
1	1	184.709R	SKID - R/H
2	1	184.709L	SKID - L/H
3	2	7290391	SKID SHOE (REPLACEABLE)
4	6	6012034	PLOUGH BOLT
5	6	0100104	FLAT WASHER
6	6	0141004	UNF CLEVELOC NUT
7	6	9313066	SETSCREW
8	6	9100106	FLAT WASHER
9	6	9143006	SELF-LOCKING NUT

**DECAL KIT**

Module:  
184.615.900



REF.	QTY.	PART No.	DESCRIPTION
		<b>184.615.900</b>	<b>DECAL KIT (FLAILHEAD)</b>
1	1	200.006	DECAL - TWOSE
2	1	1290738	DECAL - FLAILHEAD
3	1	09.821.35	DECAL - COMBINED EURO
4	1	45429.01	SERIAL No. PLATE
5	4	7103230	POP RIVET



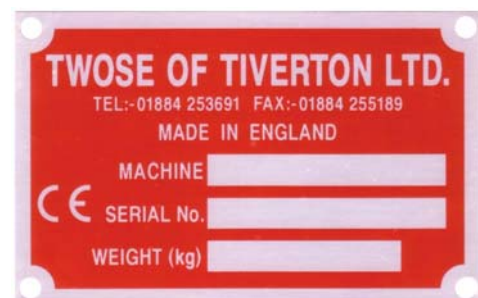
2.



3.



1.



4.

