

Publication 609
July 2009
Part No. 22674.09



McCONEL

SR420

ROTARY WING MOWER

Parts Manual





For best performance ...

USE ONLY GENUINE McCONEL SERVICE PARTS

*To be assured of the latest design improvements purchase your
'Genuine Replacements' from the 'Original Equipment Manufacturer'*

McCONEL LIMITED

Through your local Dealer or Stockist

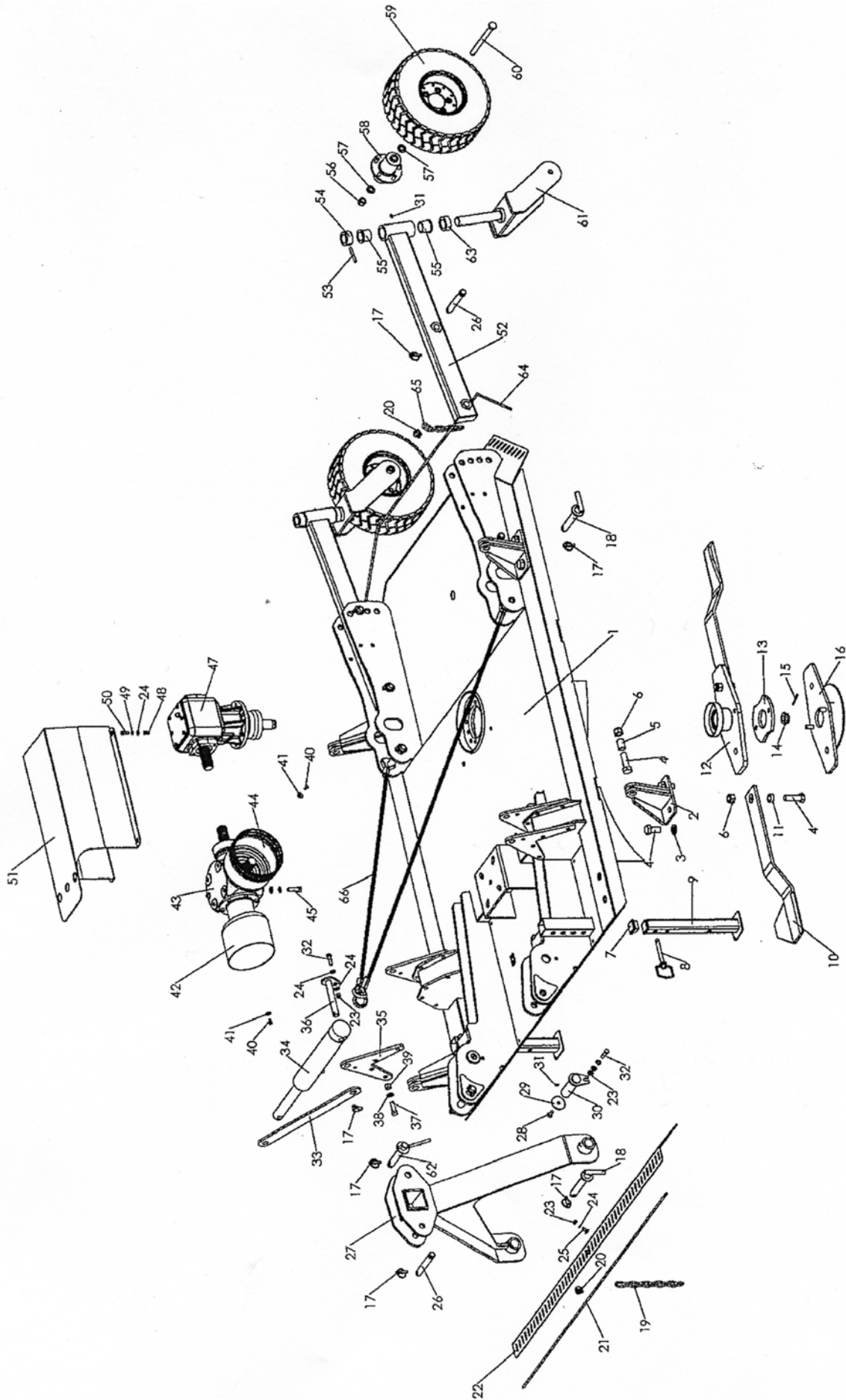
Always quote:

- ***Machine Type***
- ***Serial Number***
- ***Part Number***

*Design improvements may alter some of the parts listed in this manual –
the latest part will always be supplied when it is interchangeable with an earlier one.*

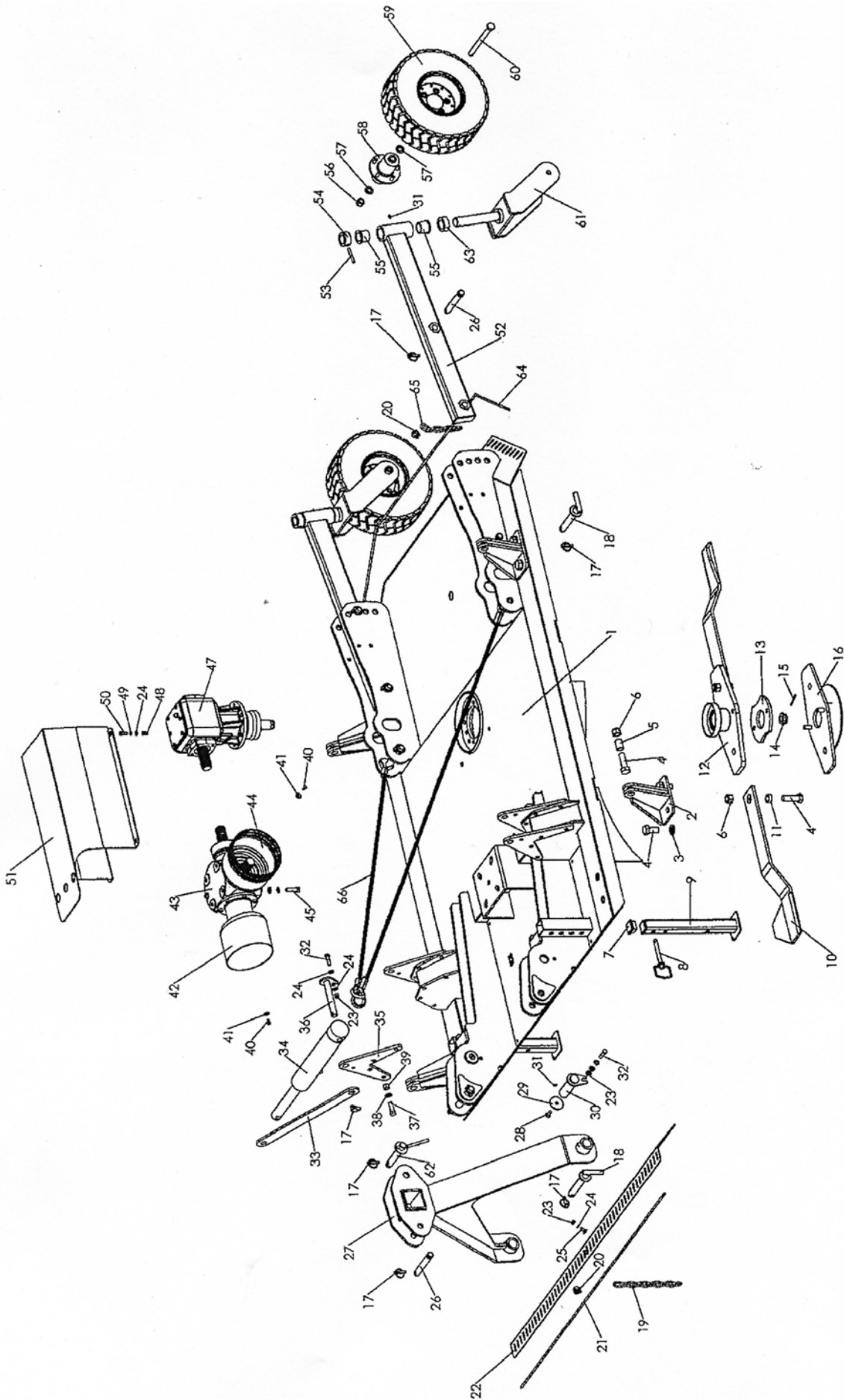
CONTENTS

Main Frame Assembly	1
Wing Assembly	5
Splitter Gearbox	7
Centre Rotor Gearbox	9
Wing Gearbox	11
Input PTO	13
Wing Shaft	15
Centre Coupling	17
Safety Warnings & Information Decals	19



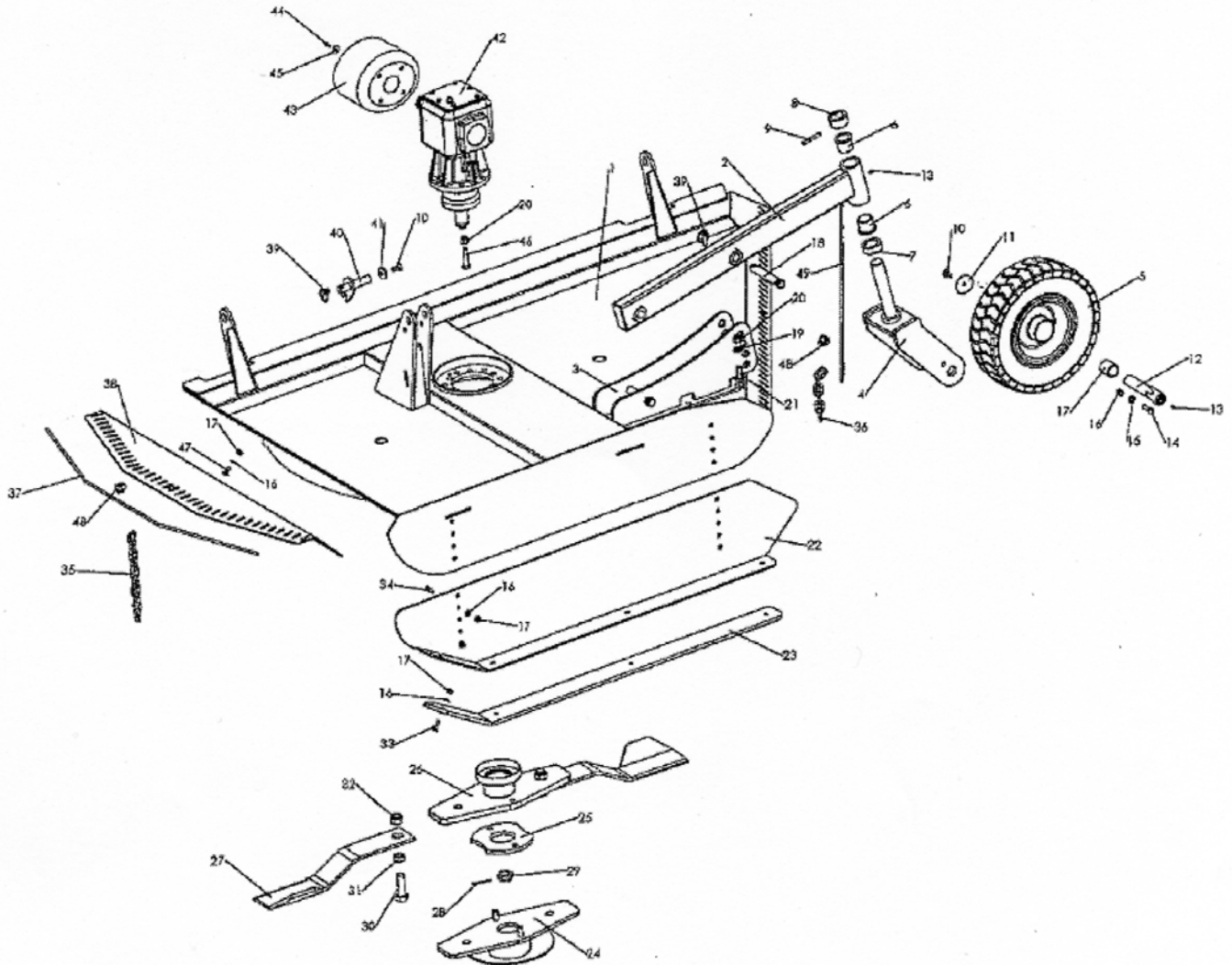
MAIN FRAME ASSEMBLY

REF.	PART No.	DESCRIPTION
1	1800067	Centre deck
2	1800096	Hinge bracket
3	2770464	Washer
4	2770413	Bolt
5	1800099	Bush
6	2770414	Locknut
7	8777518	Cap
8	6310220	Pin
9	1777870	Leg
10	7770719	LH blade 29.5"
11	7770707	Bush
12	1800083	Upper twin blade carrier (2)
	1800064	Upper triple blade carrier (3)
13	1770396	Spacer (2)
	1770604-3	Spacer (3)
14	771226	Nut
15	2770512	Split pin
16	1800095	Lower twin blade carrier
	1800063	Lower triple blade carrier
17	00.372.01	Lynch pin
18	07.574.01	Pin
19	8770625	10 link chain
20	6770907	Clamp
21	6770941.01	Wire rope
22	1800068	Front chain guard
23	2770417	Locknut
24	2770436	Washer
25	2770258	Bolt
26	6310235	Pin
27	1800070	Headstock
28	2770506	Screw
29	1777208	Washer 65mm
30	1777976	Pin
31	2770467	Grease nipple
32	2770397	Bolt
33	1800098	Transport stay
34	3570634	Ram
	3570661W	Seal kit
	3570658	Breather
35	1800097	Ram plate
36	1800092	Pear pin
37	2770423	Bolt
38	2770454	Washer
39	2770447	Locknut
39	2770447	Locknut
40	2770401	Bolt
41	2770244	Washer
42	47141.01	Cone c/w window
43	5770405	Splitter gearbox
44	5770129	Q/R cover
45	05.256.44	Bolt
46	-	-
47	5770406	Centre rotor gearbox



MAIN FRAME ASSEMBLY

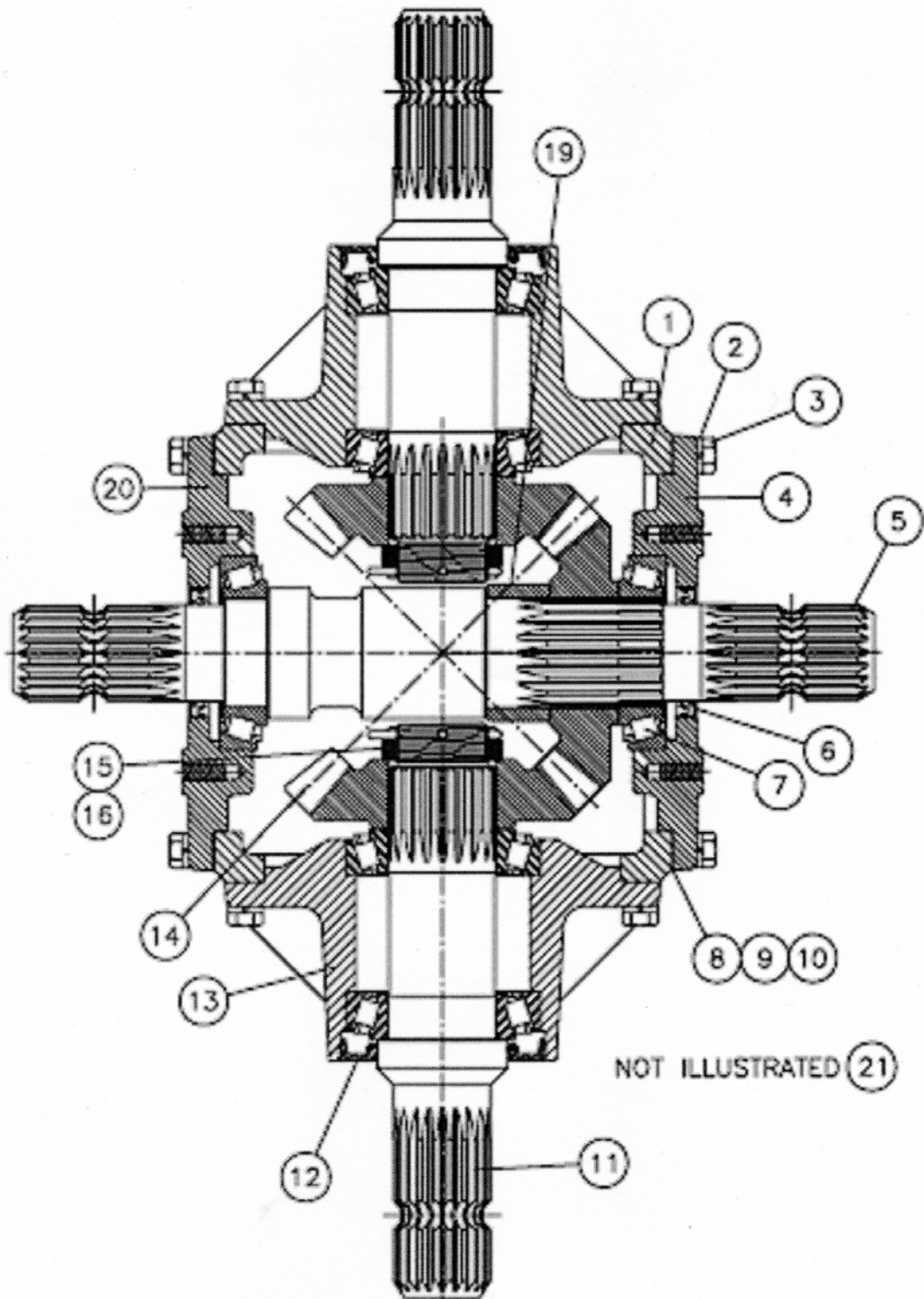
REF.	PART No.	DESCRIPTION
48	2770203	Rivnut
49	2770469	Washer
50	2770407	Bolt
51	1800069	Clutch cover
52	1770401A	Wheel arm
53	2770411	Bolt
54	1777700	Collar
55	4600127-A	Bush
56	2770409	Locknut
57	2770517	Washer
58	6770676	Wheel hub
59	6770685	Wheel assembly
60	2770624	Bolt
61	1800094	Wheel yoke
62	6310208	Lower link pin
63	1777524	Spacer
64	6770941.02	Wire rope
65	8770621	Chain 6 link
66	6770942	Wire rope



REF.	PART No.	DESCRIPTION
1	1800076	LH wing section
	1800072	RH wing section
2	1770401A	Wheel arm
3	1800158	Mounting bracket
4	1770399A	Wheel yoke
5	6770680	Wheel assembly
6	4600127-A	Bush
7	1777524	Spacer
8	1777700	Collar
9	2770411	Bolt
10	2770506	Screw
11	1777208	Washer 65mm
12	1560130	Pin
13	2770467	Grease nipple
14	2770443	Bolt
15	2770436	Washer

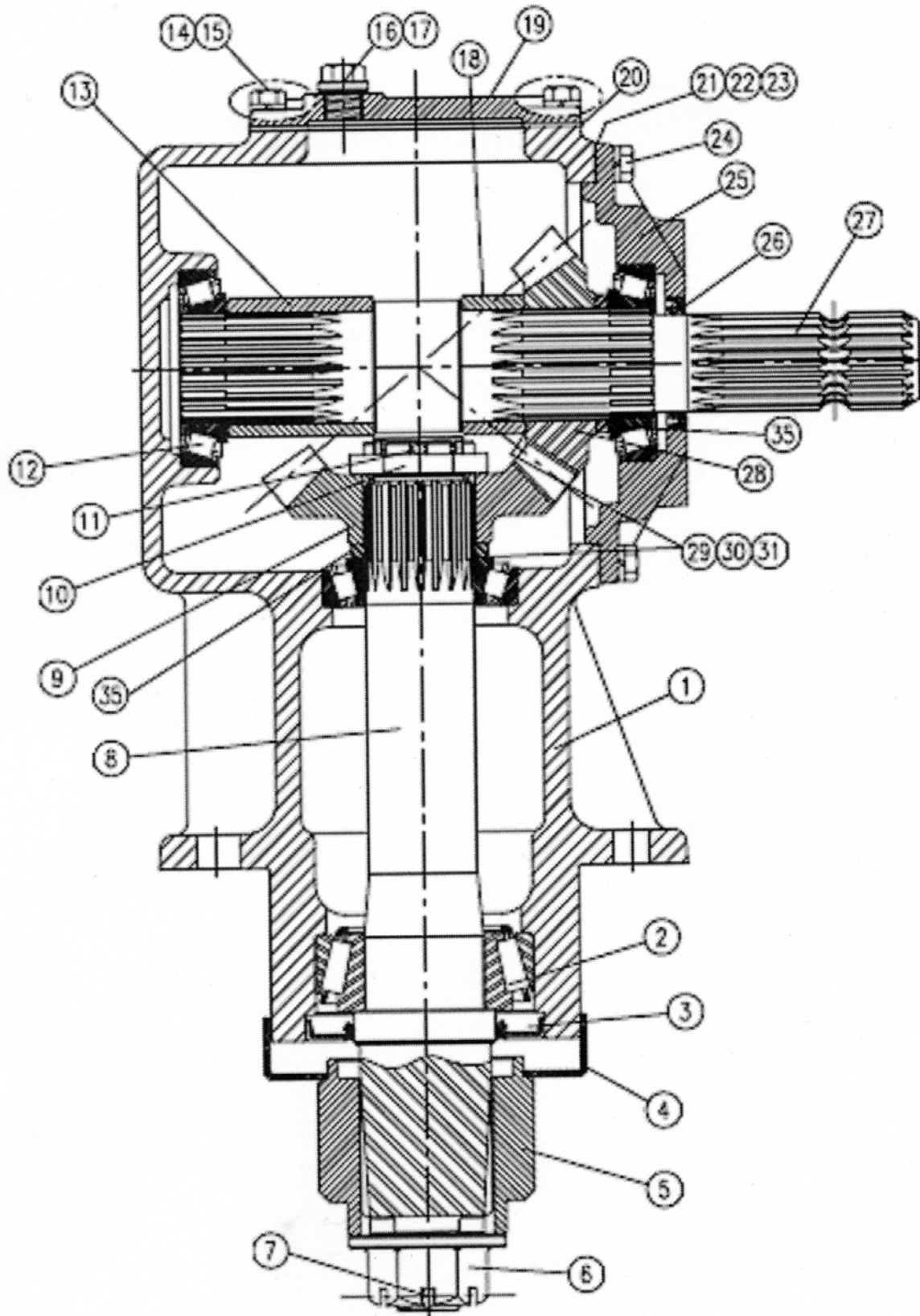
WING ASSEMBLY

REF.	PART No.	DESCRIPTION
16	2770417	Locknut
17	1560131	Bush
18	6310235	Pin
19	2770454	Washer
20	2770447	Locknut
21	2770472	Bolt
22	1800078	LH adjustable skid
	1800074	RH adjustable skid
23	1800075	Wear skid
24	1800095	Lower twin blade carrier (2)
	1800063	Lower triple blade carrier (3)
25	1770396	Spacer
	1770604-3	Spacer
26	1800083	Upper twin blade carrier (2)
	1800064	Upper triple blade carrier (3)
27	7770703	LH blade 23"
	7770702	RH blade 23"
28	2770512	Split pin
29	771226	Nut
30	2770413	Bolt
31	7770707	Spacer
32	2770414	Locknut
33	2770509	Screw
34	2770421	Bolt
35	8770625	10 link chain
36	8770621	6 link chain
37	6770941.03	Wire rope
38	1800077	Wing chain guard
39	6310206	Lynch pin
40	1800093	Pin
41	1777209	Washer 40mm
42	5770407	Gearbox
43	47141.01	Cone c/w window
44	2770401	Bolt
45	2770244	Washer
46	2770423	Bolt
47	2770258	Bolt
48	6770907	Clamp
49	6770941.04	Wire rope



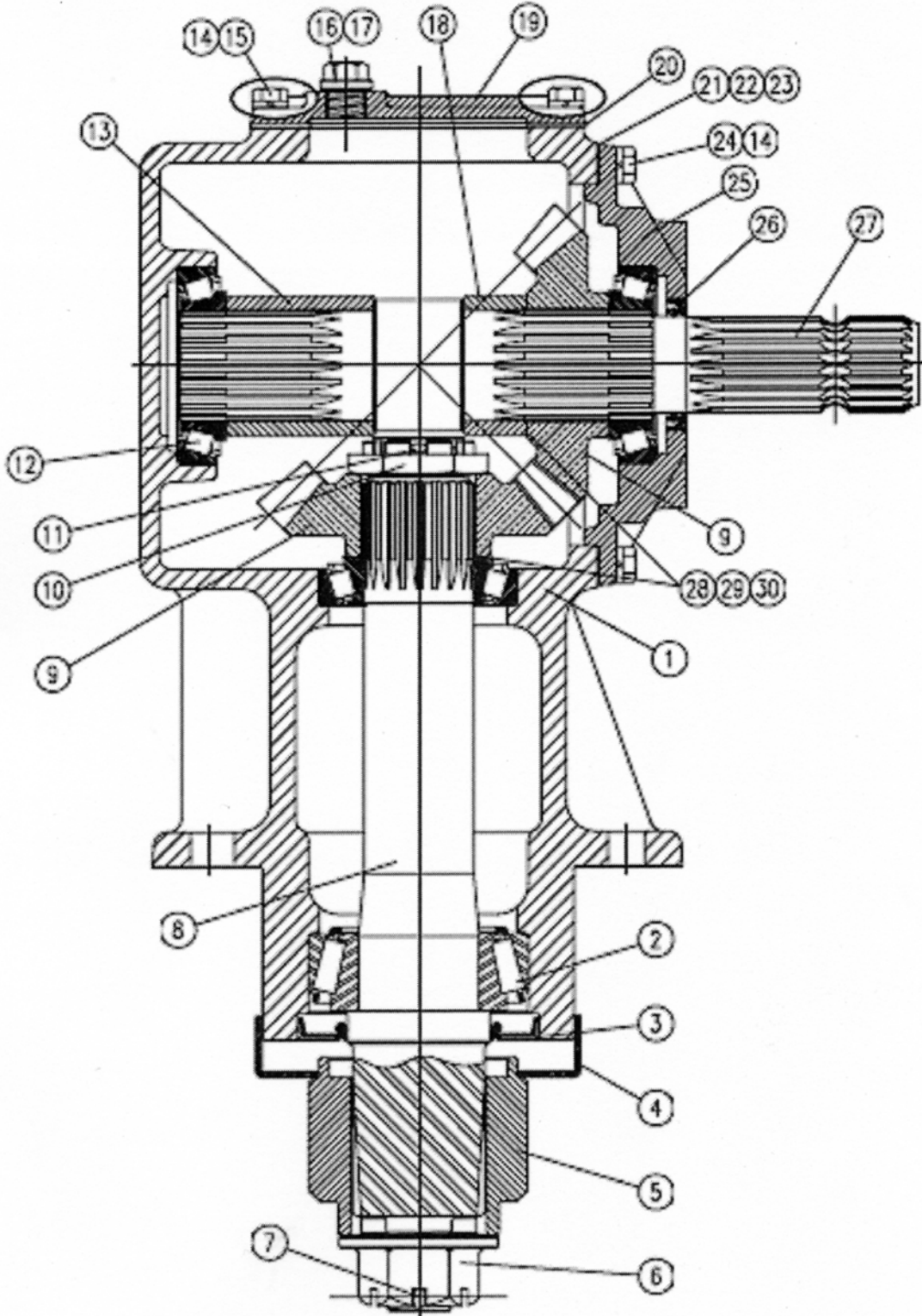
SPLITTER GEARBOX 5770405

REF.	PART No.	DESCRIPTION
1	NA	Housing
2	755954	Spring washer
3	758859	Bolt
4	762516	Cover
5	762518	Through shaft
6	758653	Oil seal
7	769938	Bearing
8	758646	Shim
9	758647	Shim
10	758648	Shim
11	762522	Shaft
12	762521	Oil seal
13	762520	Cover
14	758695	Gear 17 T
15	762121	Nut
16	770421	Cotter pin
17	769321	Sealing washer
18	762517	Level plug
19	758657	Spacer
20	NA	Cover
21	777855	Breather



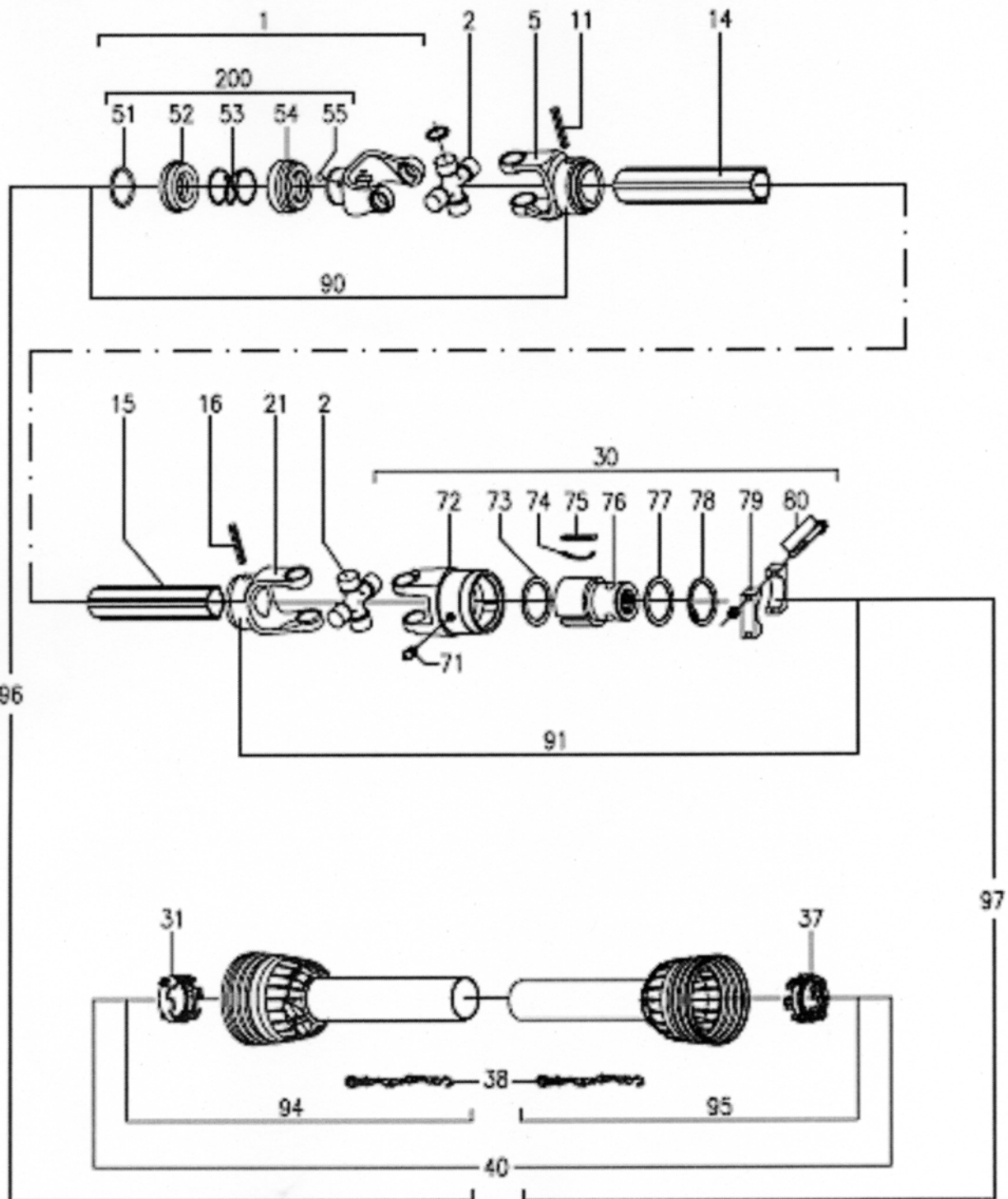
CENTRE ROTOR GEARBOX 5770406

REF.	PART No.	DESCRIPTION
1	N/A	Housing
2	779329	Bearing
3	770726	Oil seal
4	770727	Shield
5	771227	Hub
6	771226	Nut
7	1422506	Cotter pin
8	770728	Output shaft
9	759488	Gear 17 T
10	762121	Nut
11	770421	Cotter pin
12	769938	Bearing
13	770731	Spacer
14	755954	Spring washer
15	754338	Screw
16	770737	Level plug
17	769321	Washer
18	758657	Input
19	770732	Cover
20	770733	Gasket
21	758646	Gasket 0.10
22	758647	Gasket 0.25
23	758648	Gasket 0.50
24	758859	Screw
25	770734	Cover
26	758653	Oil seal
27	770735	Input shaft
28	759487	Gear 14T
29	758667	Shim 0.30
30	762153	Shim 0.40
31	758668	Shim 0.50
32	777855	Breather
35	774064	Spacer



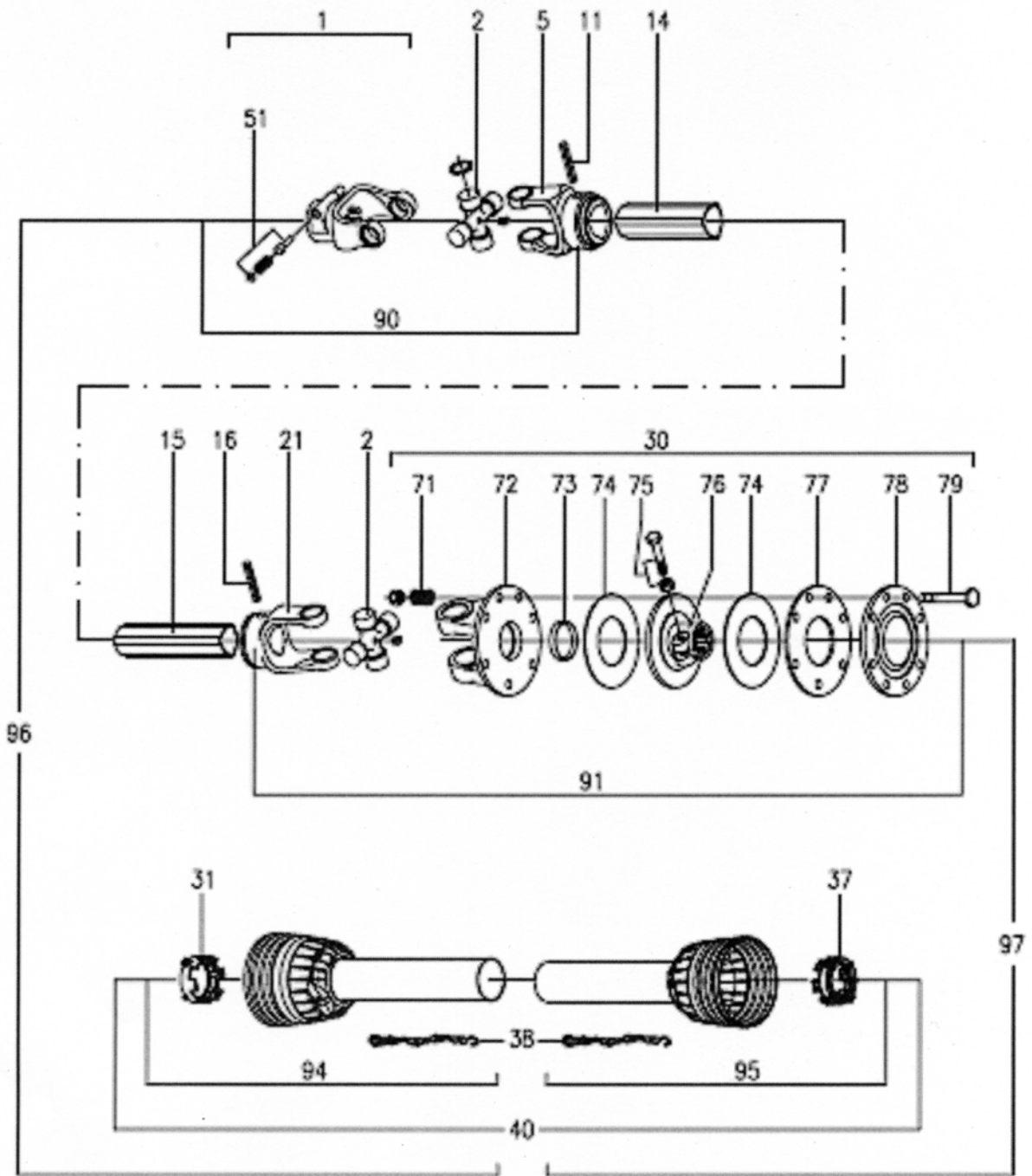
WING GEARBOX 5770407

REF.	PART No.	DESCRIPTION
1	NA	Housing
2	779329	Bearing 33211
3	770726	Oil seal
4	770727	Shield
5	771227	Hub
6	771226	Nut
7	1422502	Cotter pin
8	770728	Output shaft
9	773412	Gear 17T
10	762121	Nut
11	770421	Cotter pin
12	769938	Bearing
13	770731	Spacer
14	755954	Spring washer
15	754338	Bolt
16	770737	Level plug
17	769321	Washer
18	758657	Spacer
19	770732	Cover
20	770733	Gasket
21	758646	Shim 0.10
22	758647	Shim 0.25
23	758648	Shim 0.50
24	758859	Bolt
25	770734	Cover
26	758653	Seal
27	770735	Input shaft
28	758667	Shim 0.30
29	762153	Shim 0.40
30	758668	Shim 0.50
31	777855	Breather



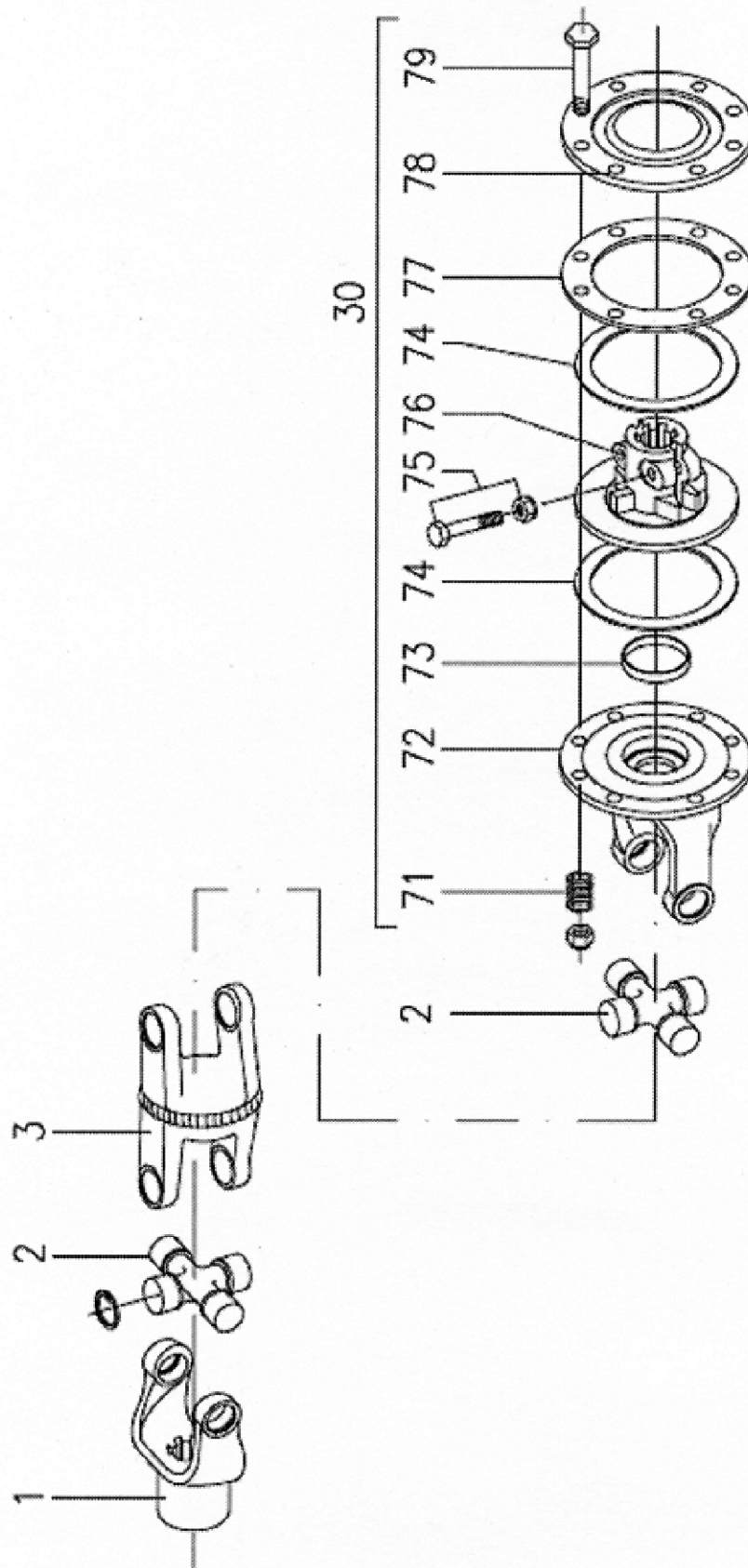
INPUT PTO 5770408

REF.	PART No.	DESCRIPTION
1	5770408.01	Yoke
2	5770408.02	Cross journal
5	5770408.03	Outer yoke
11	5770408.04	Roll pin
14	5770408.05	Outer tube
15	5770408.06	Inner tube
16	5770408.07	Roll pin
21	5770408.08	Inner yoke
30	5770408.09	Overrun clutch assembly
31	5770408.1	Bearing ring outer
37	5770408.11	Bearing ring inner
38	5770408.12	Chains
40	5770408.13	Complete guard
79	5770408.14	Bridge
80	5770408.15	Bolt
200	5770408.16	Collar kit



WING SHAFT 5770410

REF.	PART No.	DESCRIPTION
1	5770410.01	Push pin yoke
2	5770410.02	Cross journal
5	5770410.03	Outer Yoke
11	5770410.04	Roll pin
14	5770410.05	Outer tube
15	5770410.06	Inner tube
16	5770410.07	Roll pin
21	5770410.08	Inner yoke
30	5770410.09	Clutch assembly
31	5770410.1	Bearing ring outer
37	5770410.11	Bearing ring inner
38	5770408.12	Chain
40	5770410.13	Complete guard
51	5770410.14	Push pin
71	5770410.15	Spring
72	5770410.16	Flange yoke
73	5770410.17	Bush
74	5770410.18	Lining
75	5770410.19	Bolt
76	5770410.2	Hub
77	5770410.21	Inner plate
78	5770410.22	Pressure plate
79	5770410.23	Bolt
90	N/A	N/A
91	N/A	N/A
94	N/A	N/A
95	N/A	N/A
96	N/A	N/A
97	N/A	N/A



CENTRE COUPLING 5770409

REF.	PART No.	DESCRIPTION
1	5770409.01	Yoke 1 3/8 x 6 spline
2	5770409.02	Cross journal
3	5770409.03	Double yoke
30	5770409.04	Clutch assembly
71	5770410.15	Spring
72	5770410.16	Flanged yoke
73	5770410.17	Bush
74	5770410.18	Lining
75	5770410.19	Bolt
76	5770410.2	Hub 1 3/4 20 spline
77	5770410.21	Inner plate
78	5770410.22	Pressure plate
79	5770414.23	Bolt



1.



2.



3.



4.



5.



6.



7.



8.



9.



10.



11.

REF.	PART No.	DESCRIPTION
1	8770340	Read manual
2	8770363	Read manual
3	8770367	Read manual
4	8770361	Moving blades
5	8770362	Escaping fluid
6	8770358	Remove key
7	8770306	Keep bolts tight
8	8770357	Keep your distance
9	8770368	Danger un-proped
10	8770323	1000 PTO
11	8770322	Grease point



McConnel Limited, Temeside Works, Ludlow, Shropshire SY8 1JL. England.
Telephone: 01584 873131. Facsimile: 01584 876463. www.mcconnel.com