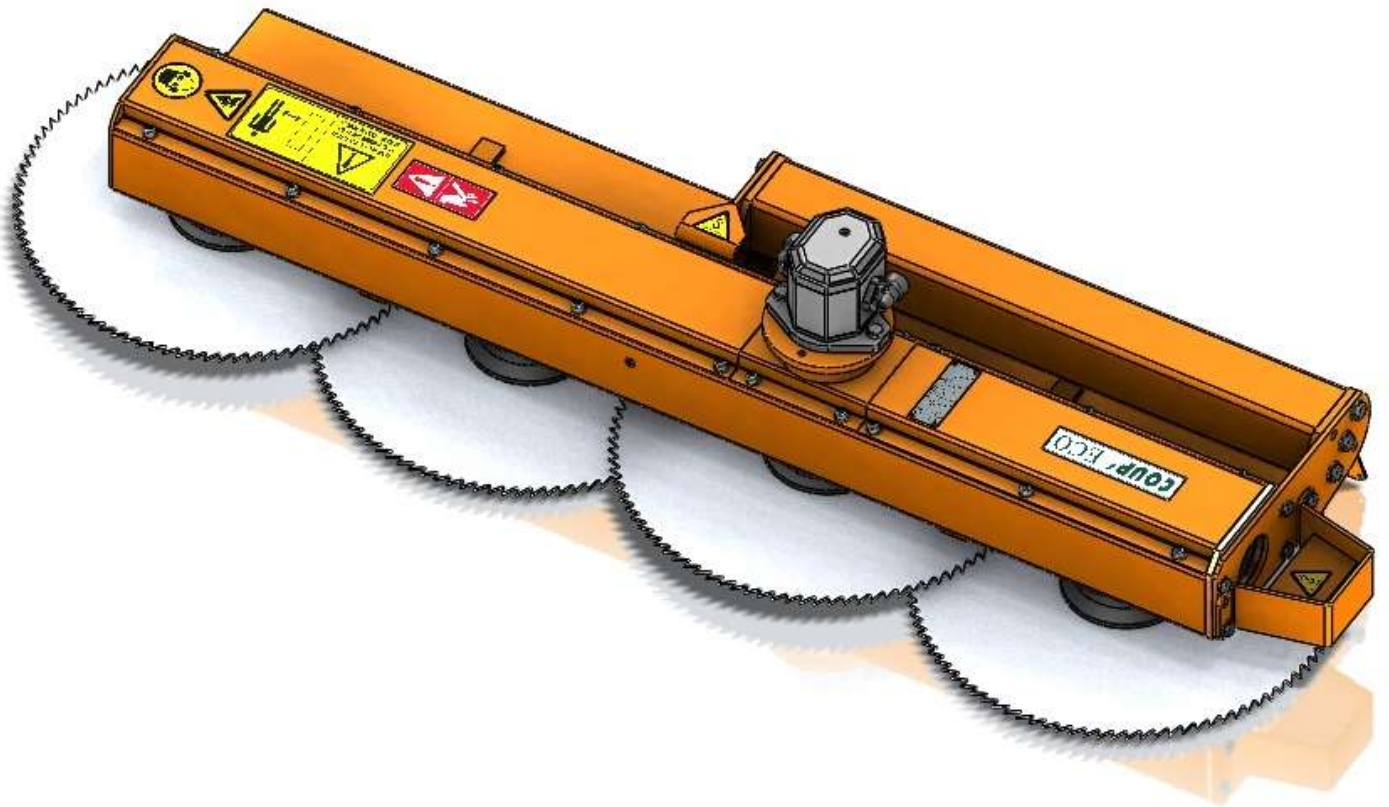


LAMIERS **SERIES 600**



SPARE PARTS MANUAL

REMINDER

For any maintenance work on the Saw Head, it is essential to contact your dealer.

For optimum performance, use only COUP'ECO spare parts in order to benefit from the latest refinements.

Buy your original COUP'ECO parts from your local dealer.

Always state the type of machine, its serial number and the reference number of the part.

Improvements made by the company may have modified some of the parts listed in the present manual. The most recent part will always be supplied if it is interchangeable with the previous model.

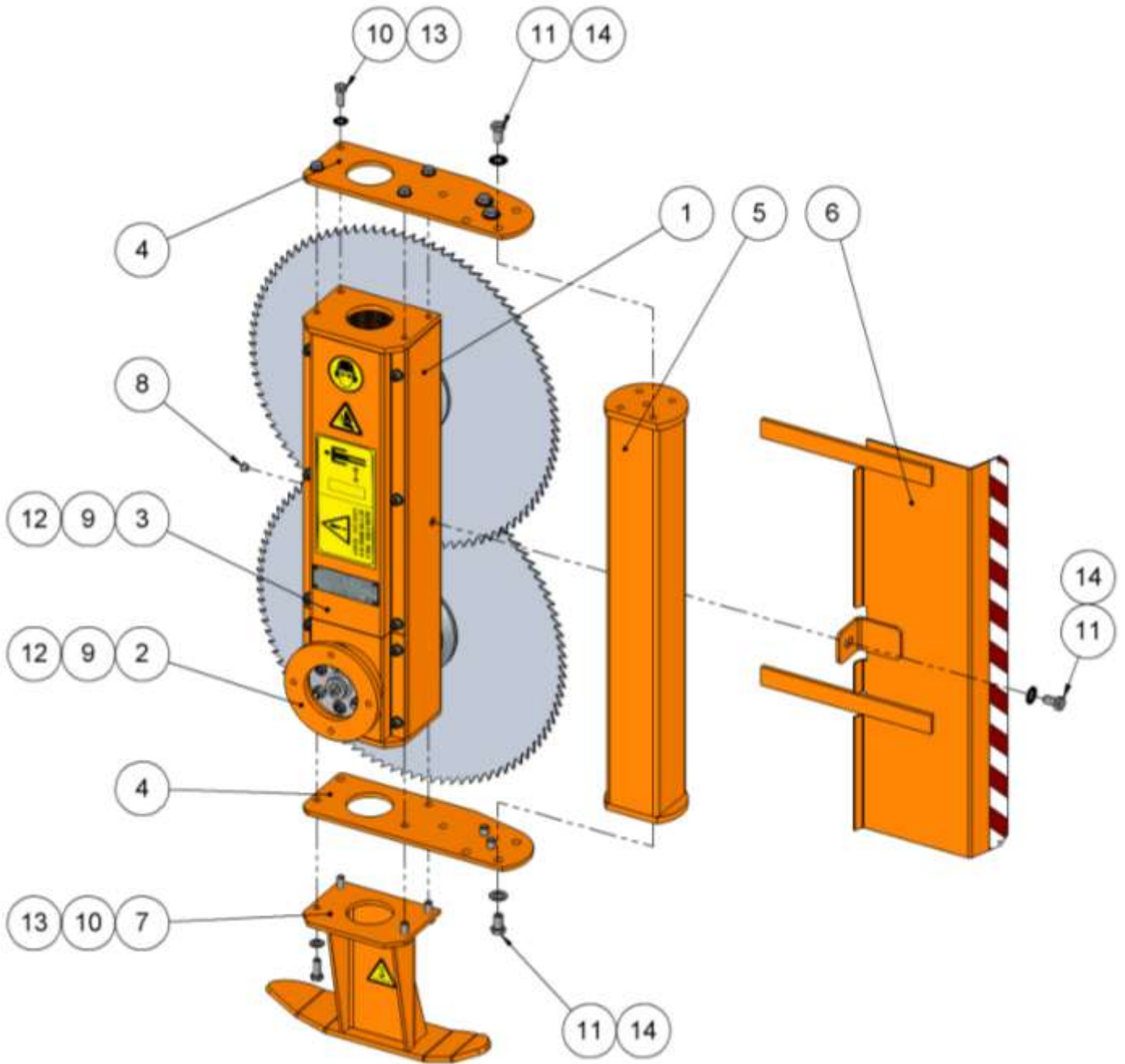
Do not hesitate to contact us for any information, as well as for special designs or products.

Contents

- Parts list for a Saw Head model 2600 - welded parts3
- Parts list for a Saw Head model 3600 - welded parts5
- Parts list for a Saw Head model 4600 - welded parts7
- Bearing assembly9
- Bearings and blades assembly on the case..... 11
- Coupling assembly - gear motor 13
- Gear motor equipped..... 14
- Coupling assembly - vane motor..... 15
- Vane motor equipped..... 16
- Tooling - Mounting / Unmounting blades 17
- Flail blades assembly on a single plate..... 18
- Flail blades assembly on reinforced stamped plate 19
- Safety adhesives.....20

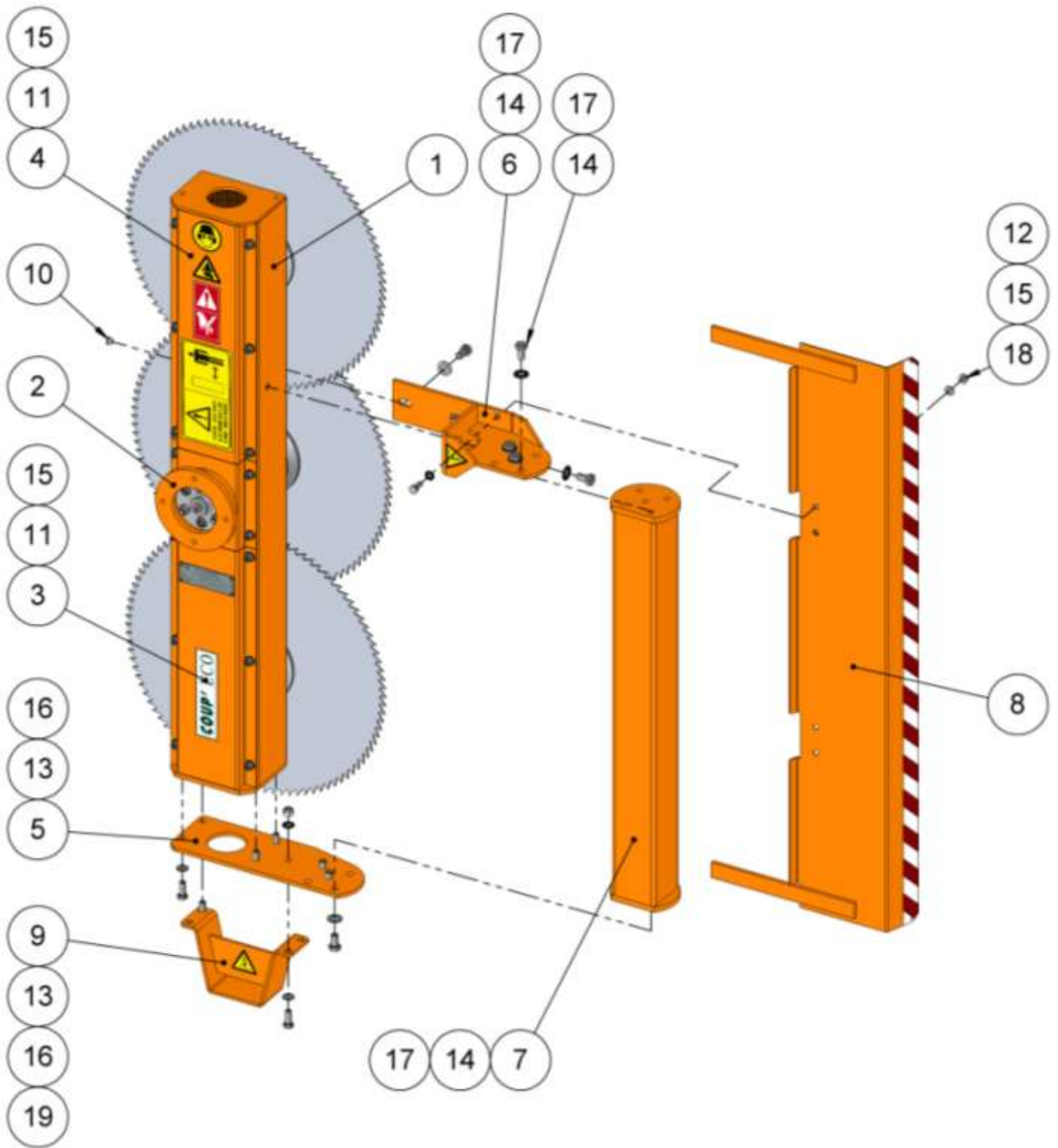
• **Parts list for a Saw Head model 2600 - welded parts**

Item	Reference	Description	Qty
1	30.610.220.02	Casing	1
2	30.610.050.02	Motor dome	1
3	30.610.002.02	Cover 01	1
4	30.610.031	Mounting 01 - At casing end	2
5	30.610.2B08	Support tube 100x100	1
6	30.610.240	Rear protective casing	1
7	30.610.280	Shoe	1
8	21.870.510	Cap	1
9	21.075.802	M 10 x 20 Allen screw	10
10	21.067.101	Hex head M12-45 screw	8
11	21.067.209	Hex head 14x25 screw	7
12	21.036.526	10 mm contact washer	10
13	21.036.525	12 mm contact washer	8
14	21.036.528	14 mm contact washer	7



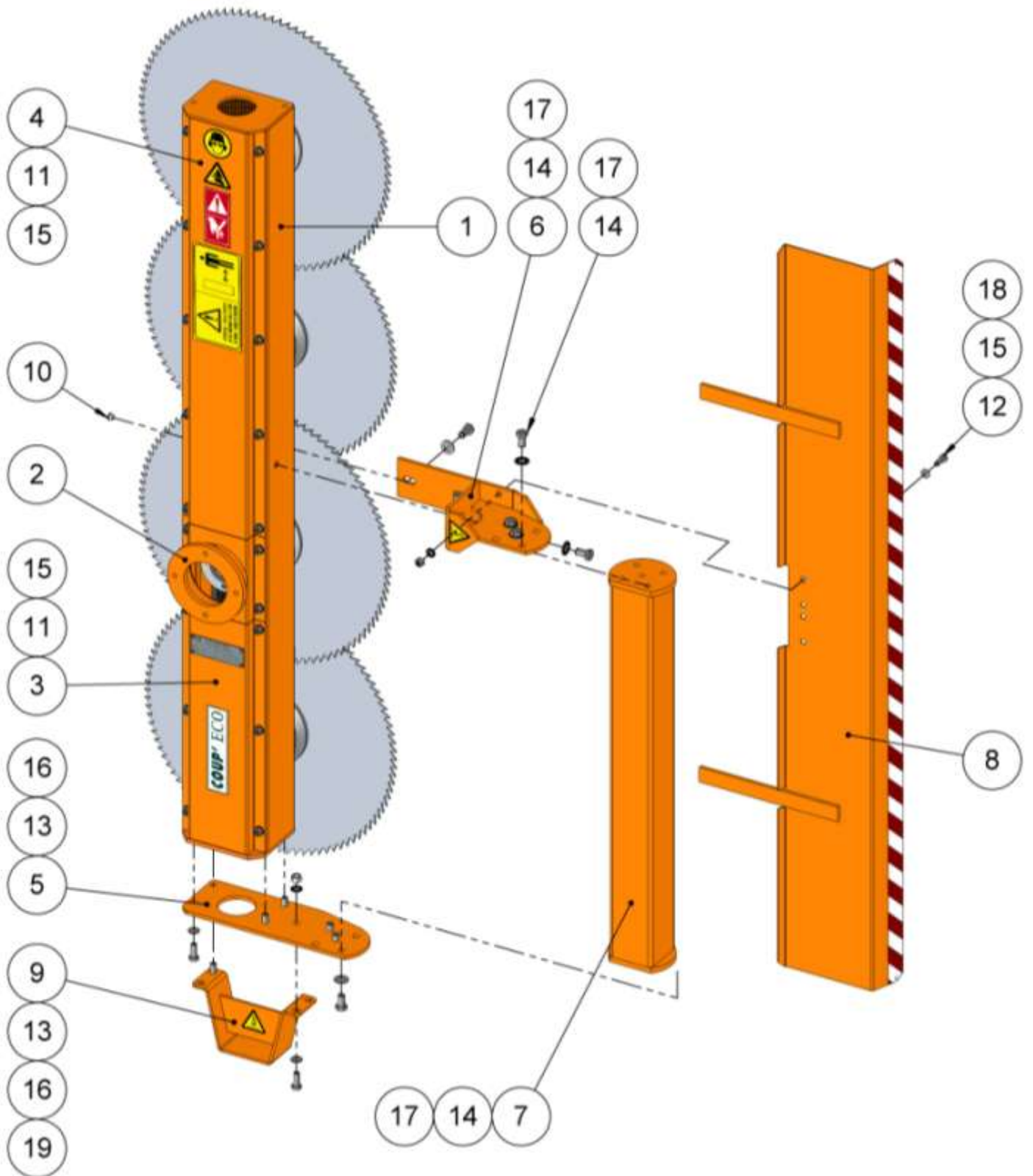
• **Parts list for a Saw Head model 3600 - welded parts**

Item	Reference	Description	Qty
1	30.610.320	Casing	1
2	30.610.050.02	Motor dome	1
3	30.610.002.02	Cover 01	1
4	30.610.303.02	Cover 02	1
5	30.610.031	Mounting 01 - At casing end	1
6	30.610.032	Mounting 02 - On the casing side	1
7	30.650.130	Support tube 100x100	1
8	30.610.340	Rear protective casing	1
9	30.610.048.02	Shoe	1
10	21.870.510	Cap	1
11	21.075.802	M 10 x 20 Allen screw	16
12	21.067.802	Hex head 10x25 screw	2
13	21.067.101	Hex head 12x30 screw	5
14	21.067.209	Hex head 14x25 screw	9
15	21.036.526	10 mm contact washer	20
16	21.036.525	12 mm contact washer	6
17	21.036.528	14 mm contact washer	9
18	21.026.505	M10 hex. lock nut	2
19	21.026.506	M12 hex. lock nut	1



• **Parts list for a Saw Head model 4600 - welded parts**

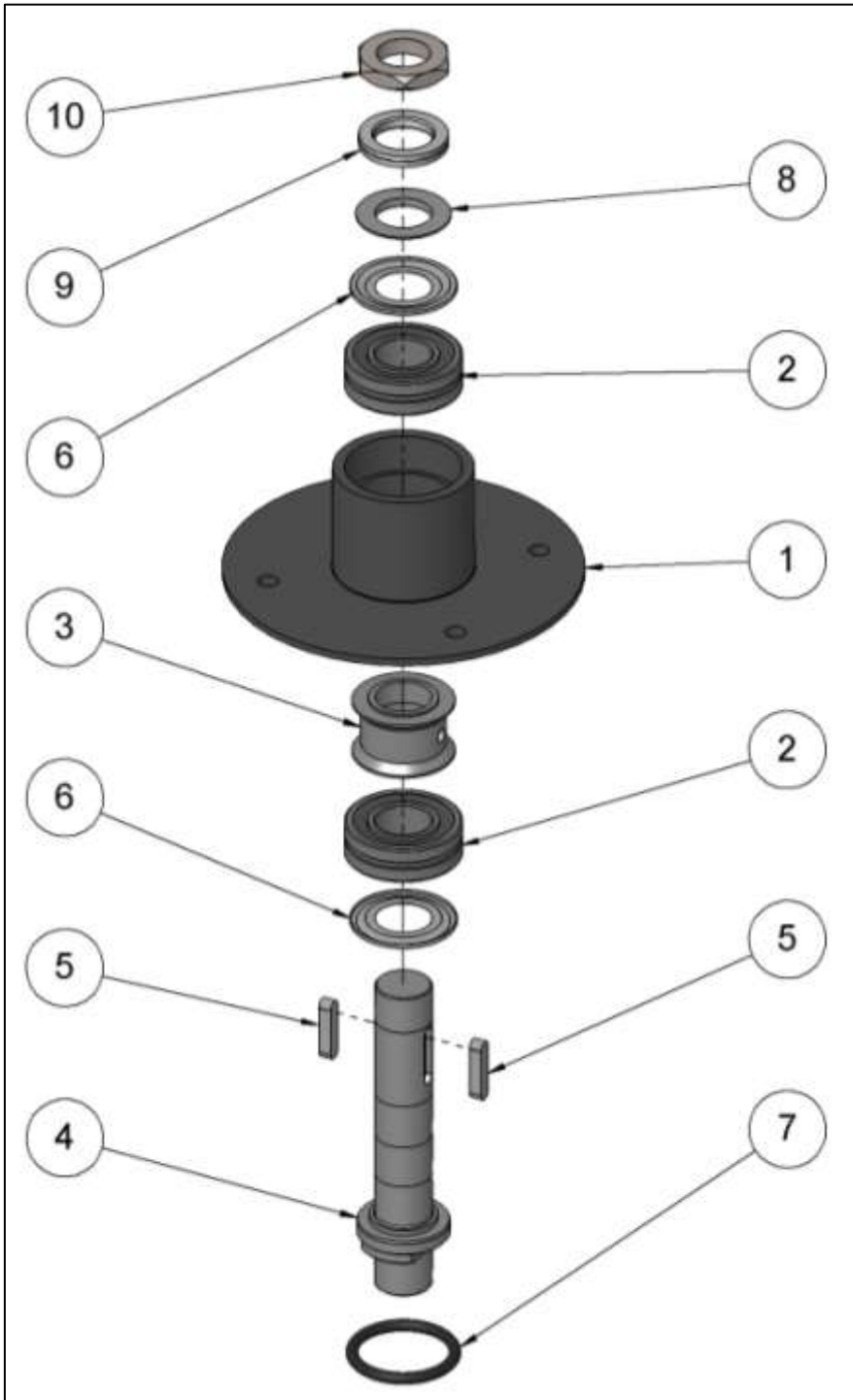
Item	Reference	Description	Qty
1	30.610.020	Casing	1
2	30.610.050.02	Motor dome	1
3	30.610.002.02	Cover 01	1
4	30.610.003.03	Cover 02	1
5	30.610.031	Mounting 01 - At casing end	1
6	30.610.032	Mounting 02 - On the casing side	1
7	30.650.130	Support tube 100x100	1
8	30.610.040	Rear protective casing – right hand mounting	1
	30.610.040G	Rear protective casing – left hand mounting	1
9	30.610.048.02	Shoe	1
10	21.870.510	Cap	1
11	21.075.802	M 10 x 20 Allen screw	20
12	21.067.802	Hex head 10x25 screw	2
13	21.067.101	Hex head 12x30 screw	5
14	21.067.209	Hex head 14x25 screw	9
15	21.036.526	10 mm contact washer	24
16	21.036.525	12 mm contact washer	6
17	21.036.528	14 mm contact washer	9
18	21.026.505	M10 hex. lock nut	2
19	21.026.506	M12 hex. lock nut	1



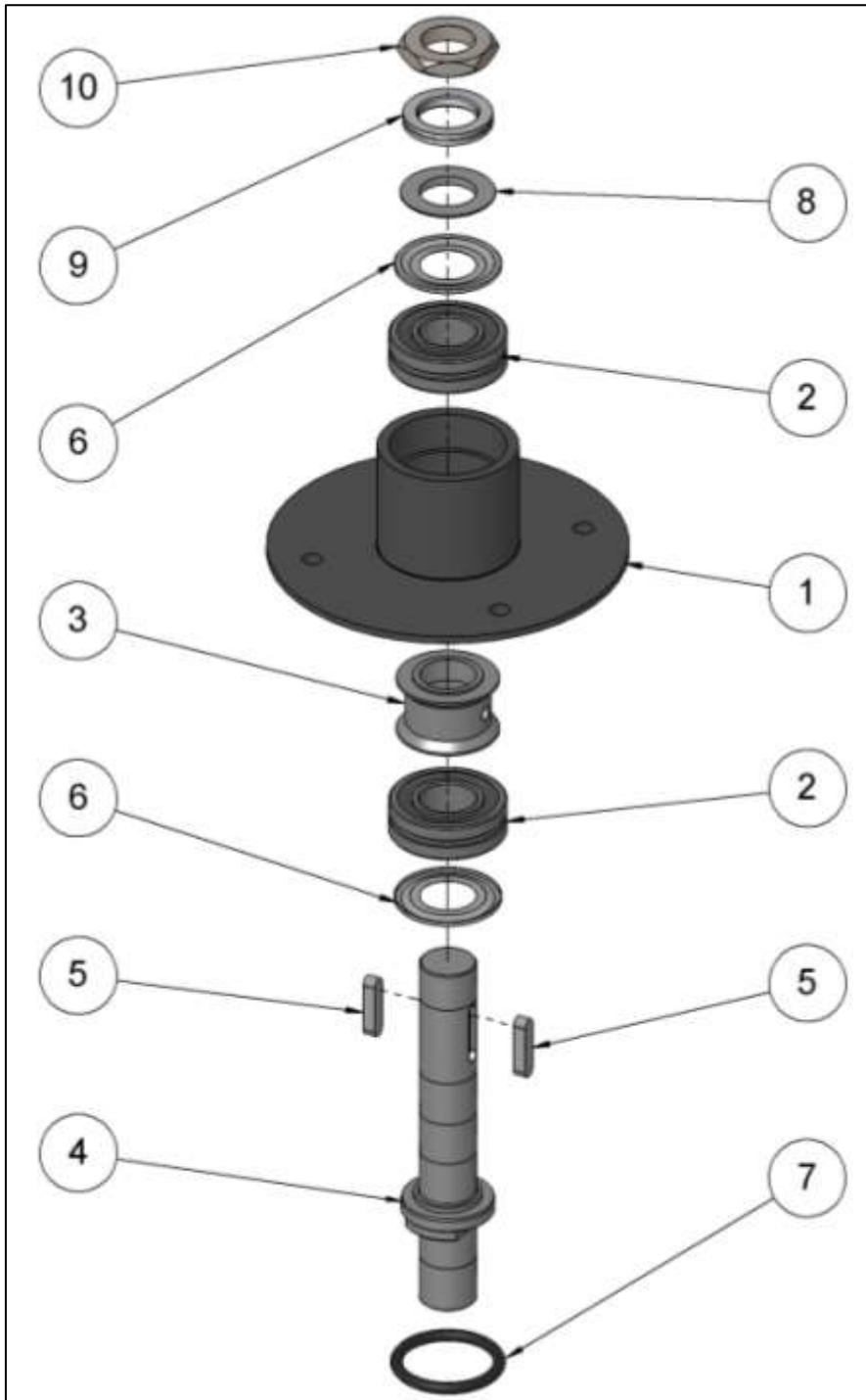
• **Bearing assembly**

Item	Reference	Description	Qty
1	30.610.103.02	Bearing box	1
2	21.675.601	Bearing 22206 EAW33	2
3	30.100.504.02	Lubrication spacer	1
4	30.610.705.02	Short shaft	1
	30.610.704.02	Long shaft	1
5	21.650.502	Key 8 x 7 x 35	2
6	21.675.004	NILOS seal	2
7	20.581.607	O ring Ø48x6	1
8	30.100.505	Pulley spacer - 5 mm thick	1
9	21.046.501	Nord-Lock NL30 washer	1
10	21.029.102	Lower nut H M30x150 - thickness 9 mm	1

Short bearing



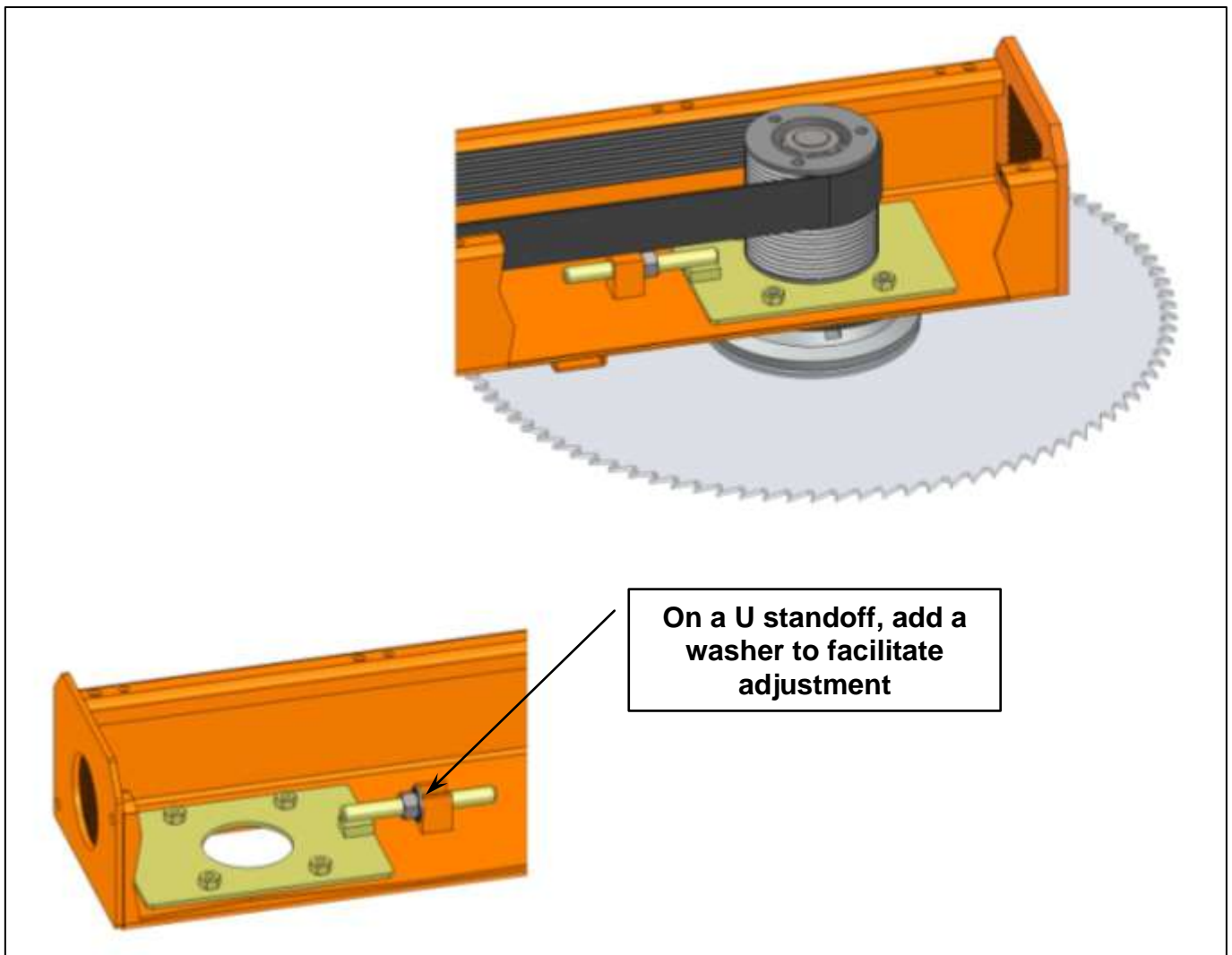
Long bearing



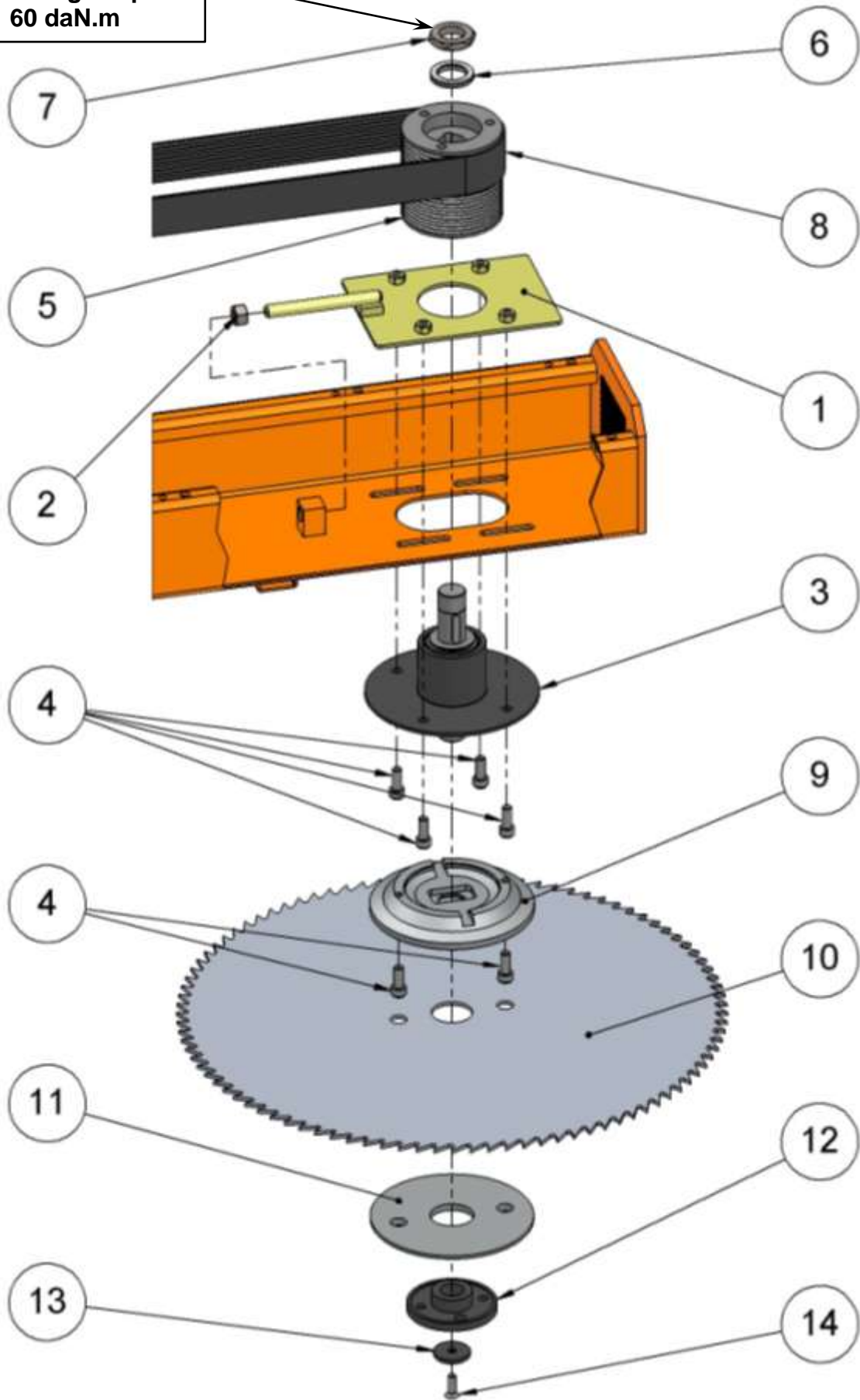
• **Bearings and blades assembly on the case**

Item	Reference	Description	Qty
1	30.610.404	Tension plate	1
2	21.020.506	Hex. nut M14	1
3	30.610.704C	Long bearing	1
	30.610.705C	Short bearing	
4	21.075.803	M 10 x 25 Allen screw	6
5	30.610.560	Poly-V Ø110 L10 pulley	1
6	21.046.501	Nord-Lock NL30 washer	1
7	21.029.102	Lower nut H M30x150 - thickness 9 mm	1
8	21.750.505	Poly-V FD 1270 belt	1
9	30.610.303	Counter-flange, short offset	1
	30.610.304	Counter-flange, long offset	
10	35.600.609	Blade Ø600 mm 96 flat teeth	1
11	30.200.504	Clamping flange	1
12	30.100.703	Lock nut	1
13	21.040.050	Stop washer	1
14	21.080.702	Screw TFHC 8x25	1

***10 KO-535904507810 Sägeblatt Widia 590mm x 4,5/3,5x 45 mm**

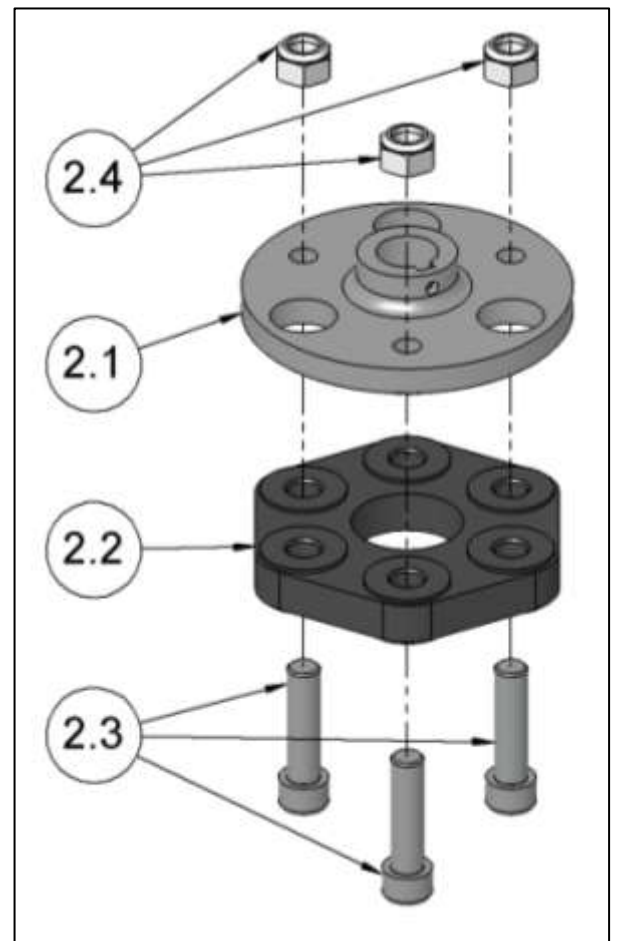
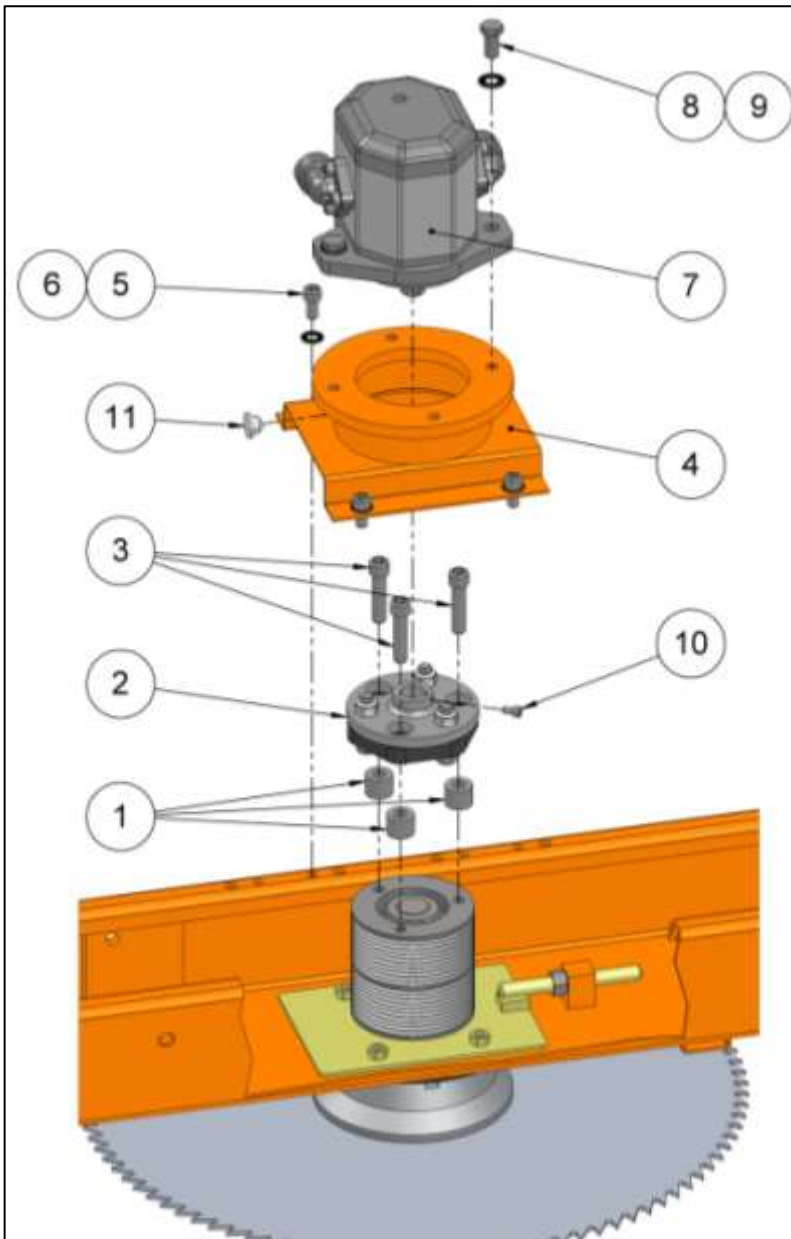


Tightening torque:
60 daN.m



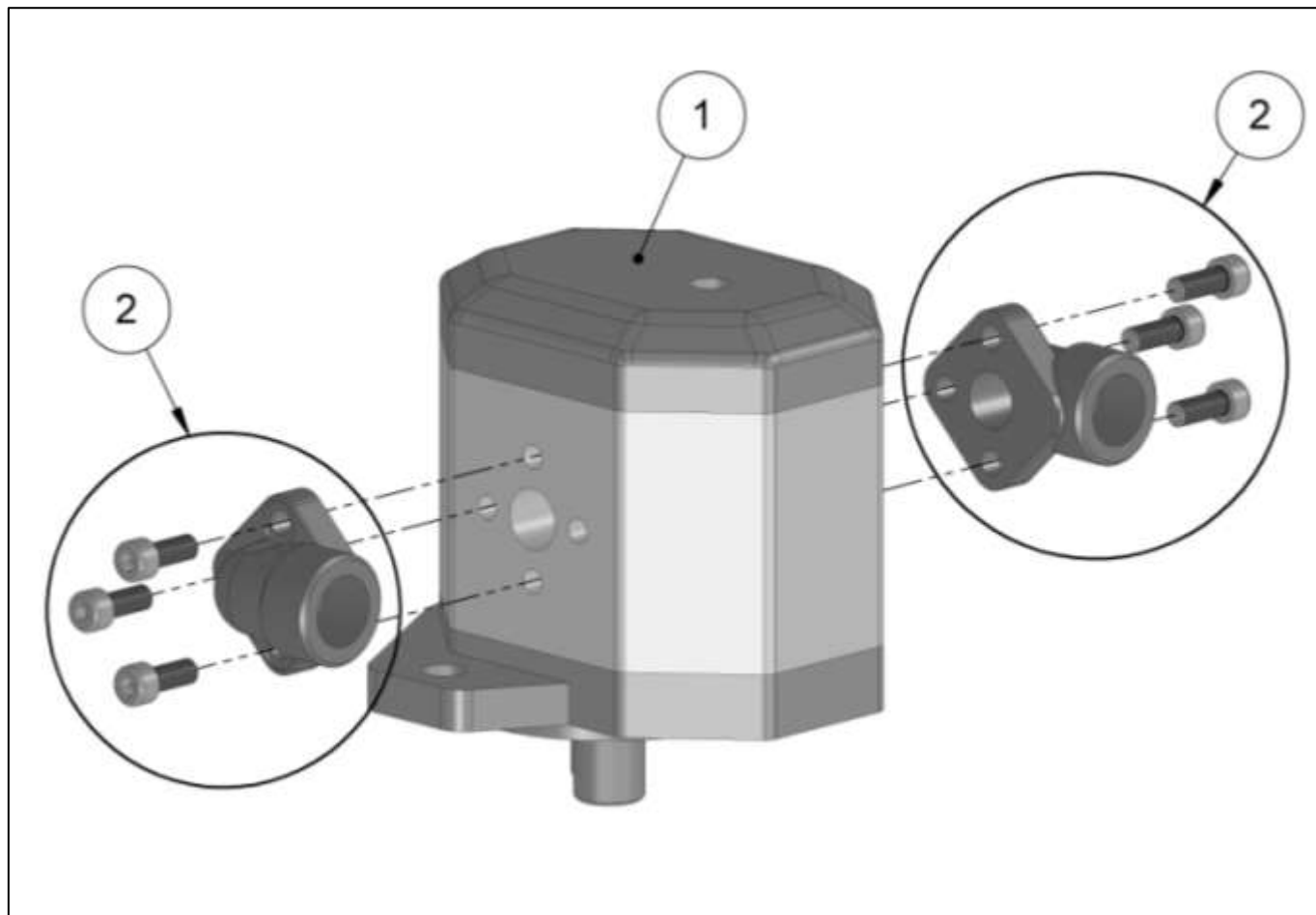
• Coupling assembly - gear motor

Item	Reference	Description	Qty
1	30.610.554	Coupling spacer	3
2	-	Complete coupling	1
2.1	30.610.551.01	Coupling half	1
2.2	21.667.503	Bushing	1
2.3	21.075.106	M 12 x 45 Allen screw	3
2.4	21.026.506	M12 hex. lock nut	3
3	21.075.207	M 12 x 50 Allen screw	3
4	30.610.050.02	Motor dome	1
5	21.075.802	M 10 x 20 Allen screw	4
6	21.036.526	10 mm contact washer	4
7	-	Gear motor equipped with flanges	1
8	21.075.709	Hex head 12x25 screw	2
9	21.036.525	12 mm contact washer	2
10	21.075.601	M 6 x 10 Allen screw	1
11	GPN.900.165	Caps Ø16.5 x 9	1



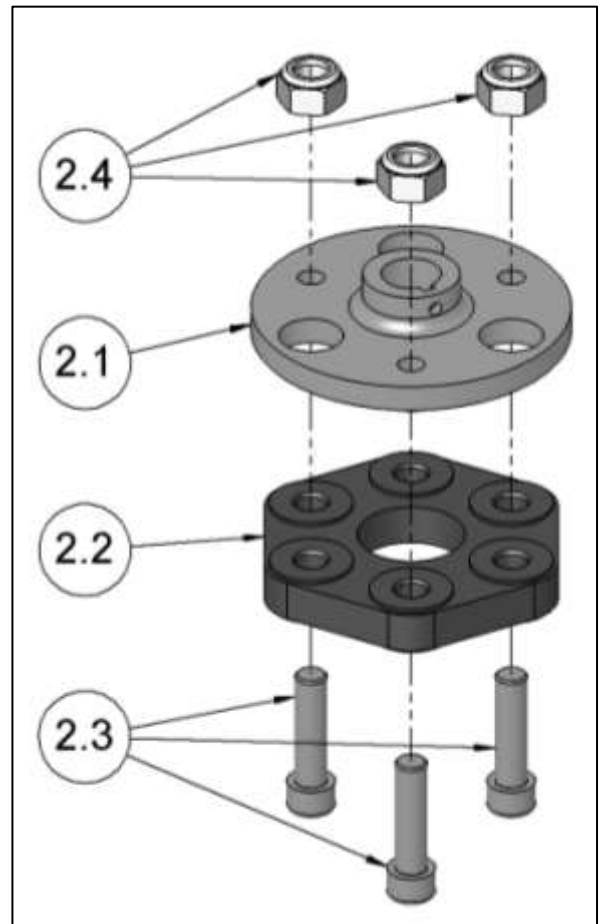
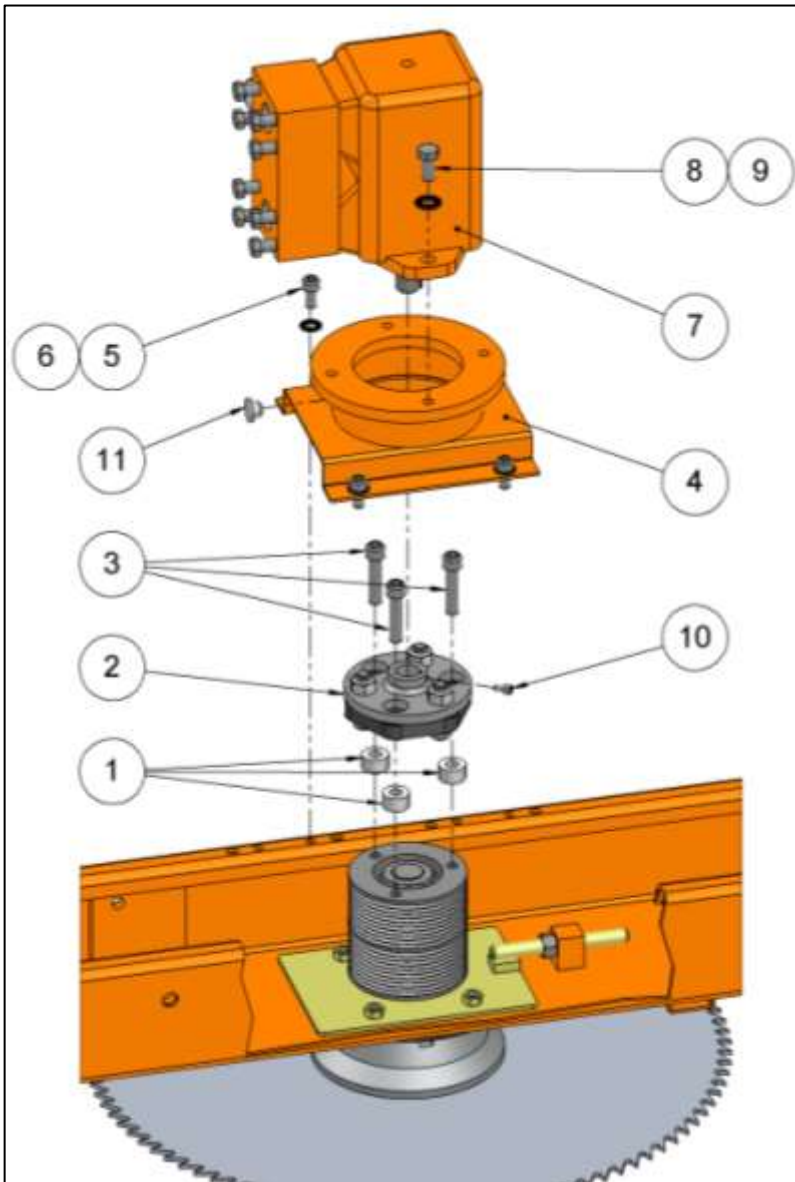
- **Gear motor equipped**

Item	Reference	Description	Qty
1	21.620.200	Gear motor Gr.3 22 cc	1
2	21.640.510	BCAI 40 3/4 flange	2
3	21.560.709	Motor shaft key (not shown)	1



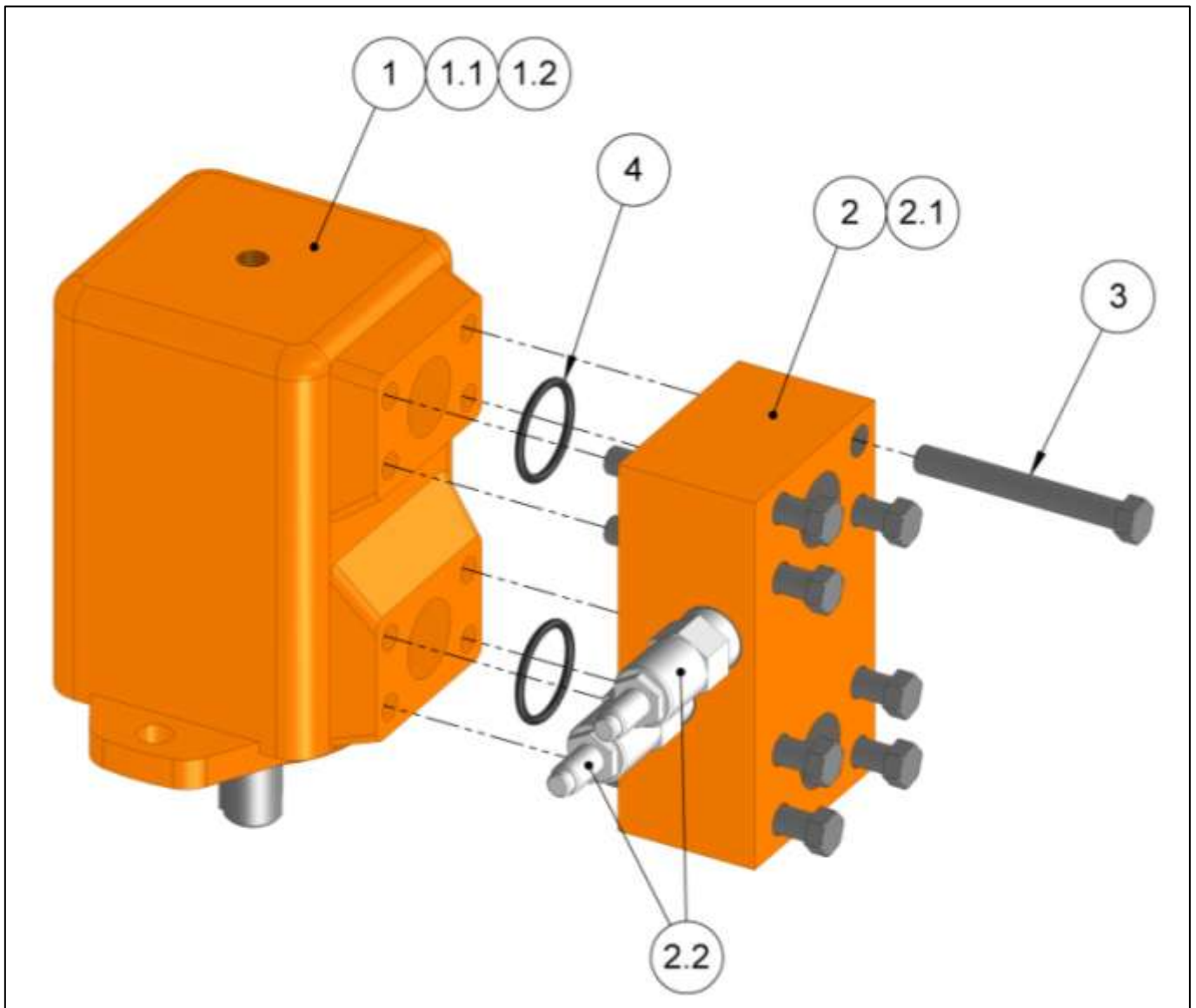
• **Coupling assembly - vane motor**

Item	Reference	Description	Qty				
1	30.610.553	Coupling spacer	3				
2	-	Complete coupling	1				
2.1	30.610.550.04	Coupling half	1				
2.2	21.667.503	Bushing	1				
2.3	21.075.106	M 12 x 45 Allen screw	3				
2.4	21.026.506	M12 hex. lock nut	3				
3	21.075.207	M 12 x 50 Allen screw	3				
4	30.610.050.02	Motor dome	1				
5	21.075.802	M 10 x 20 Allen screw	4				
6	21.036.526	10 mm contact washer	4				
7	21.620.703C	Vane motor 31.5 cc + pressure limiter units	1				
	21.620.702C	Vane motor 43.9 cc + pressure limiter units	1				
8	21.075.709	Hex head 12x25 screw	2				
9	21.036.525	12 mm contact washer	2				
10	21.075.601	M 6 x 10 Allen screw	1	11	GPN.900.165	Caps Ø16.5 x 9	1
11	GPN.900.165	Caps Ø16.5 x 9	1				



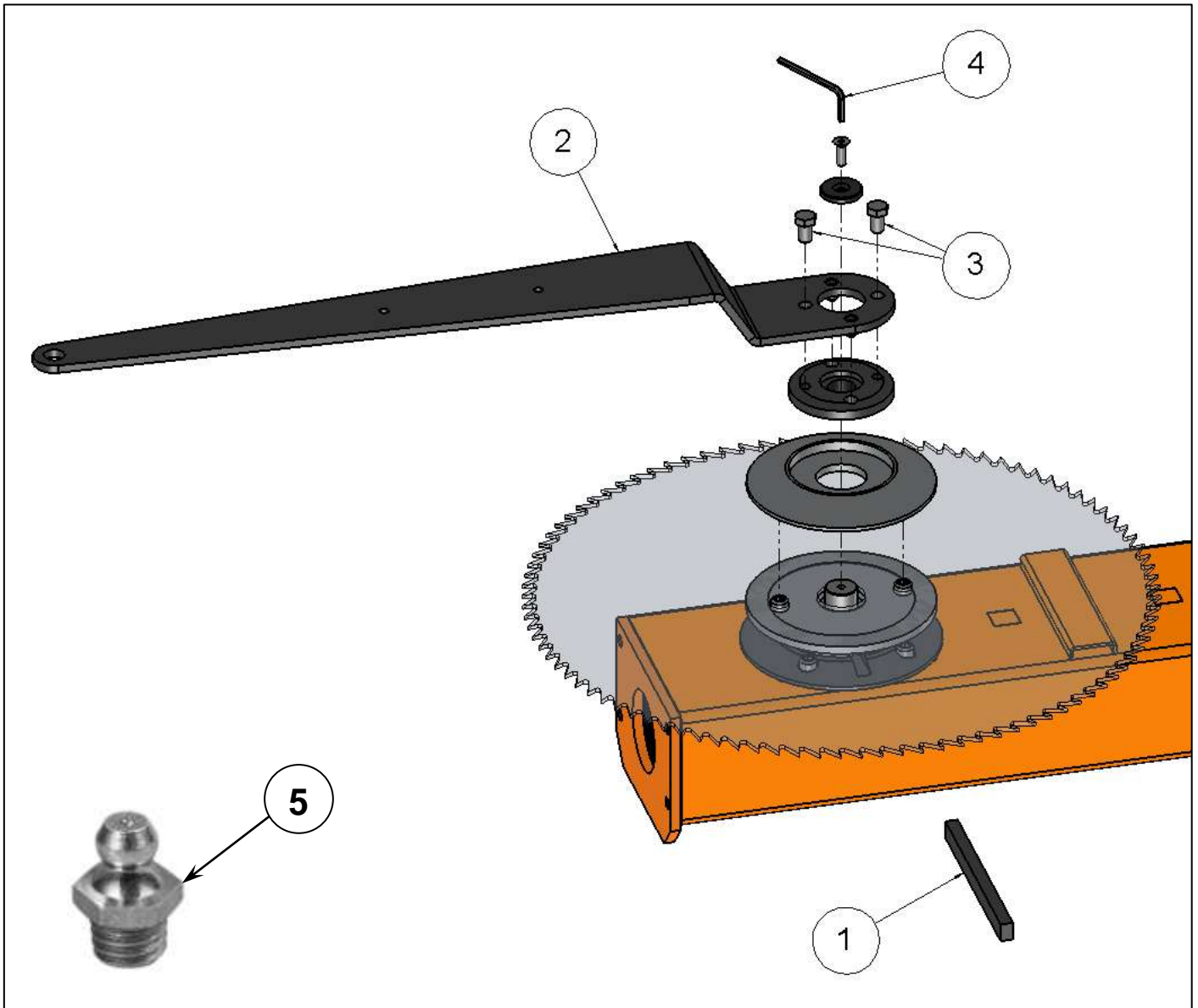
- **Vane motor equipped**

Item	Reference	Description	Qty
1	21.620.706	Vane motor 31.5 cc + reinforced seal	1
	21.620.702	Vane motor 43.9 cc + reinforced seal	1
1.1	21.620.703	Vane motor 31.5 cc	1
	21.620.701	Vane motor 43.9 cc	1
1.2	20.585.108	Reinforced F8 seal	1
2	20.530.509	Over pressure unit with pressure limiters	1
2.1	20.530.300	Bare over pressure unit	1
2.2	20.530.309	Pressure limiter	2
3	21.062.801	Hex. head 7/16-14 x 3 1/2" UNC	8
4	JT5054	O-ring 1 1/4" (Ø37.69 x 3.53)	2
-	21.560.704	Motor shaft key (not shown)	1
-	20.585.001	Motor+reinforced seal kit (not shown)	1



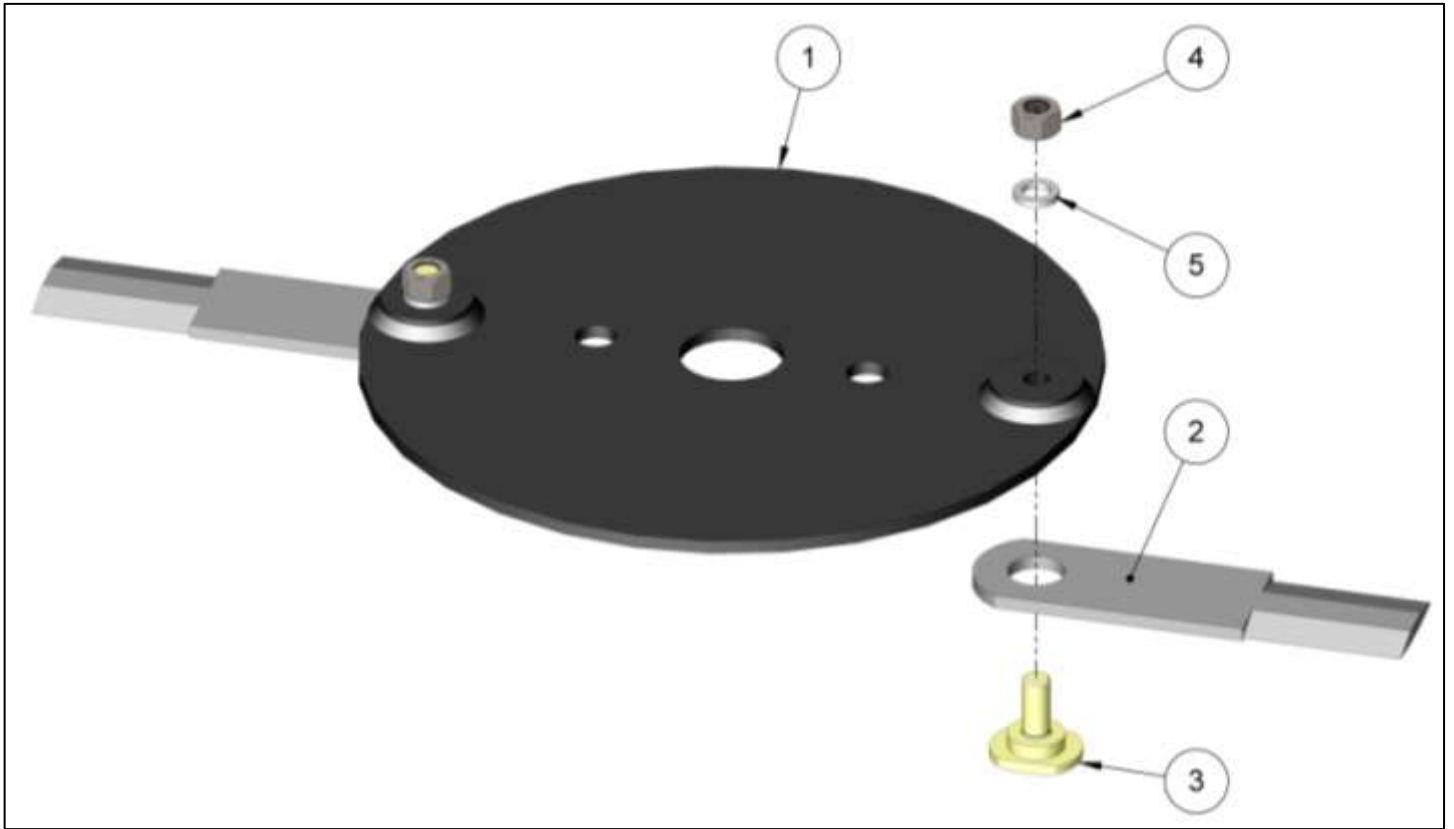
• Tooling - Mounting / Unmounting blades

Item	Reference	Description	Qty
1	30.610.755	Lock pin	1
2	30.650.116	Saw head tightening wrench	1
3	21.065.940	M 12 x 20 Allen screw	2
4	30.700.750	A 5mm Allen wrench	1
5	21.886.005	Straight M8x125 grease nipple (for greasing bearings)	1



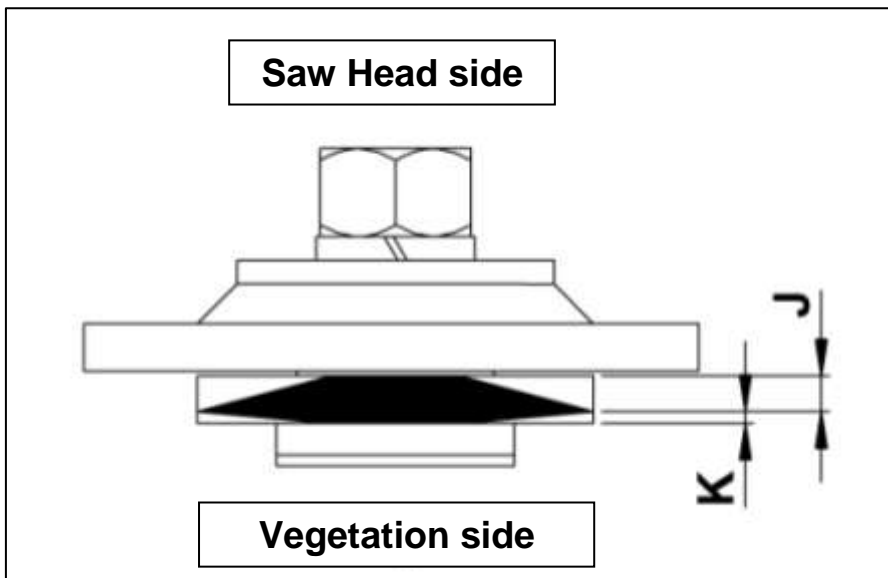
• **Flail blades assembly on a single plate**

Item	Reference	Description	Qty
1	35.200.302	Unequipped single disc	1
2	30.700.451	Dual sided, dual angle knife blade	2
3	30.600.202	Knife blade bolt	2
4	21.025.502	Hex head UNF 1/2" HU 20 ZBJ nut	2
5	21.031.602	Grower washer, 1/2"	2



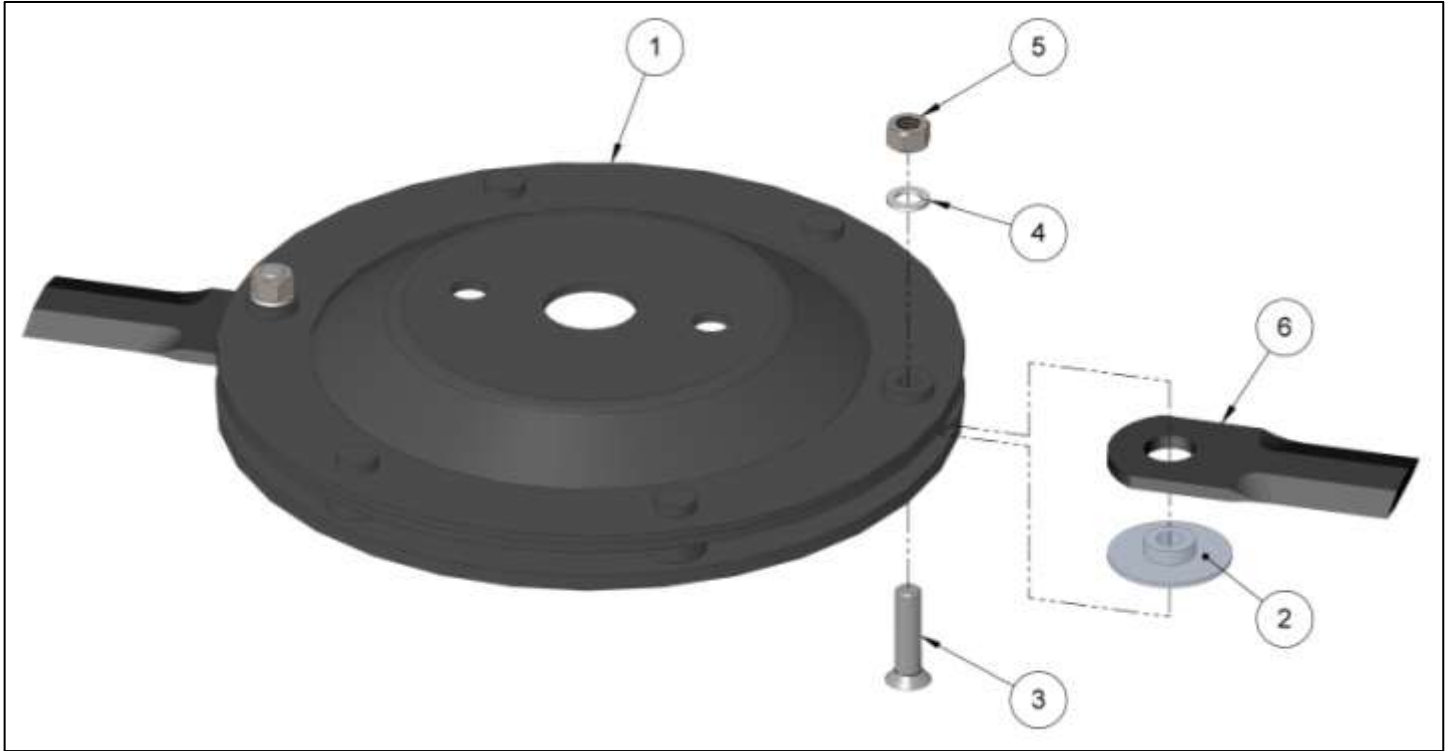
Cutting blade mounting direction:

The small groove (**K**) must be mounted on the vegetation side. If there is no dual angle, the large angle side (**J**) will always be mounted on the saw head side.



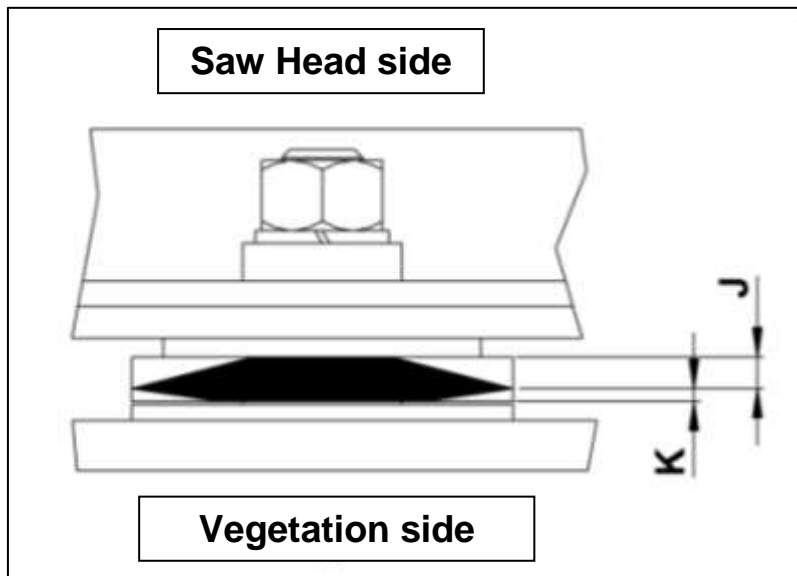
• **Flail blades assembly on reinforced stamped plate**

Item	Reference	Description	Qty
1	14.500.702	Bare reinforced stamped plate	1
2	21.040.059	Shoulder washer	2
3	21.085.102	FHC UNF 1/2" screw	2
4	21.031.602	Grower washer, 1/2"	2
5	21.025.502	Hex head UNF 1/2" HU 20 ZBJ nut	2
6	30.700.453C	Dual sided, dual angle blade	2



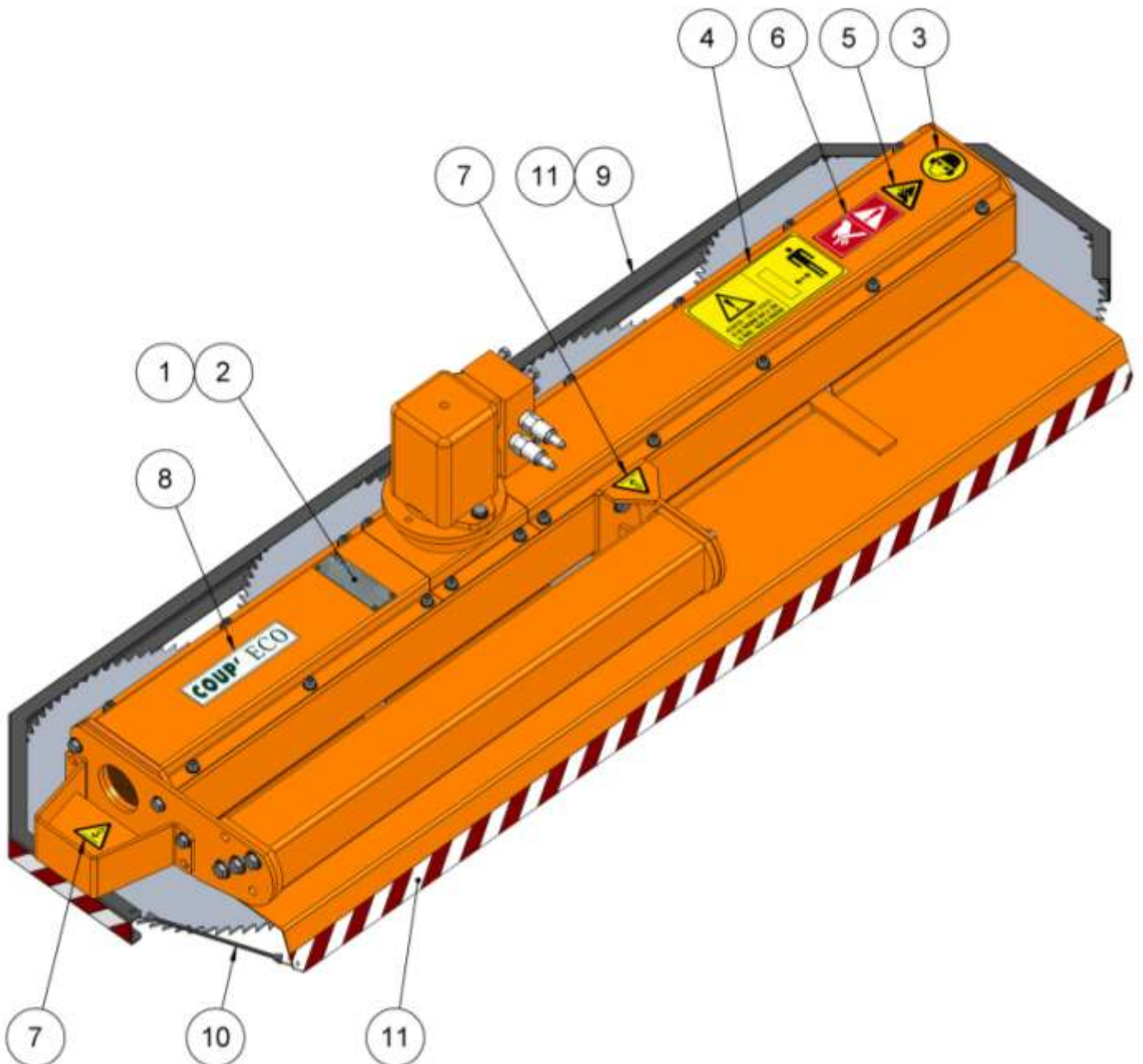
Cutting blade mounting direction:

The small groove (**K**) must be mounted on the vegetation side. If there is no dual angle, the large angle side (**J**) will always be mounted on the saw head side.



- **Safety adhesives**

Item	Reference	Description	Qty
1	21.087.412	Ø4x12 pop rivet	4
2	25.550.001	European ratings plate	1
3	25.550.017	Safety label - Protection for head, eyes and ears	1
4	25.550.002	Safety label - Do not stay in this area	1
5	25.550.029	Safety label - Cutting/amputation hazard	1
6	25.550.035	Safety label - Cutting tool	1
7	25.550.018	Safety label - Anchor point	2
8	25.550.003	COUP'ECO label	1
9	30.610.C02	Model 2600 blade cover	1
	30.610.CL3	Model 3600 blade cover	
	30.610.CL4	Model 4600 blade cover	
10	13.000.100	Black polyethylene strap, Length 200 mm Ø6	1
11	25.500.002	Black/red safety tape	-





**COUP'ECO S.A.
Z.I. du Chail
17800 PONS
FRANCE**

**Tel. +33 (0)5.46.96.25.50
Fax: +33 (0)5.46.94.64.72
coupeco@coupeco.com**

**Incorporated with capital of €100,000
Saintes Trade Register B 401 895 883
SIRET 401 895 883 00023
APE code 285 D**

www.coupeco.com