

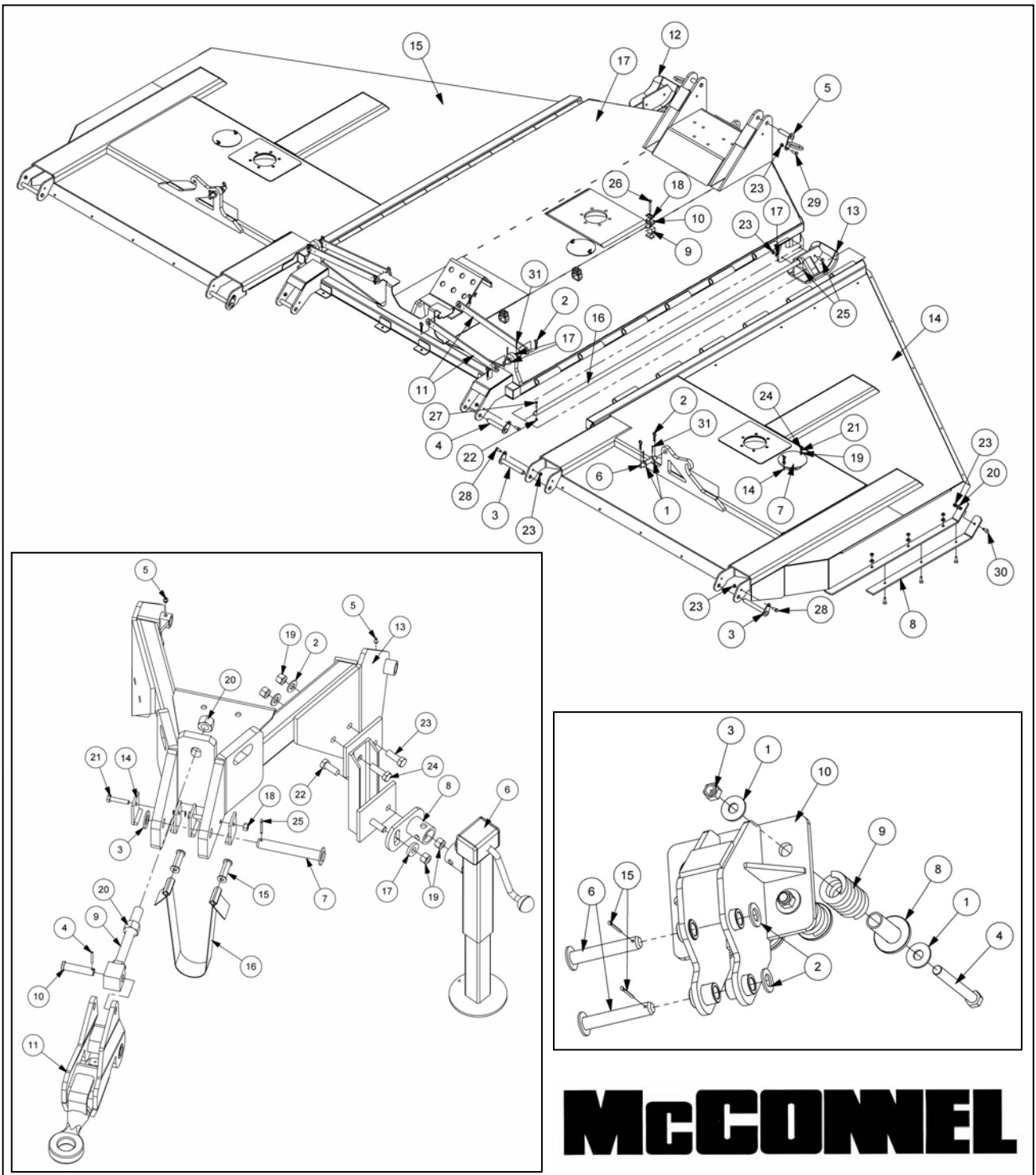
Publication No. 488
September 2005
Part No. 41570.88
Revised 08.09.06



SR20

ROTARY MOWER
Smooth Deck Model

Parts Manual



McCormel



For best performance ...

USE ONLY GENUINE McCONEL SERVICE PARTS

*To be assured of the latest design improvements purchase your
'Genuine Replacements' from the 'Original Equipment Manufacturer'*

McCONEL LIMITED

Through your local Dealer or Stockist

Always quote:

- ***Machine Type***
- ***Serial Number***
- ***Part Number***

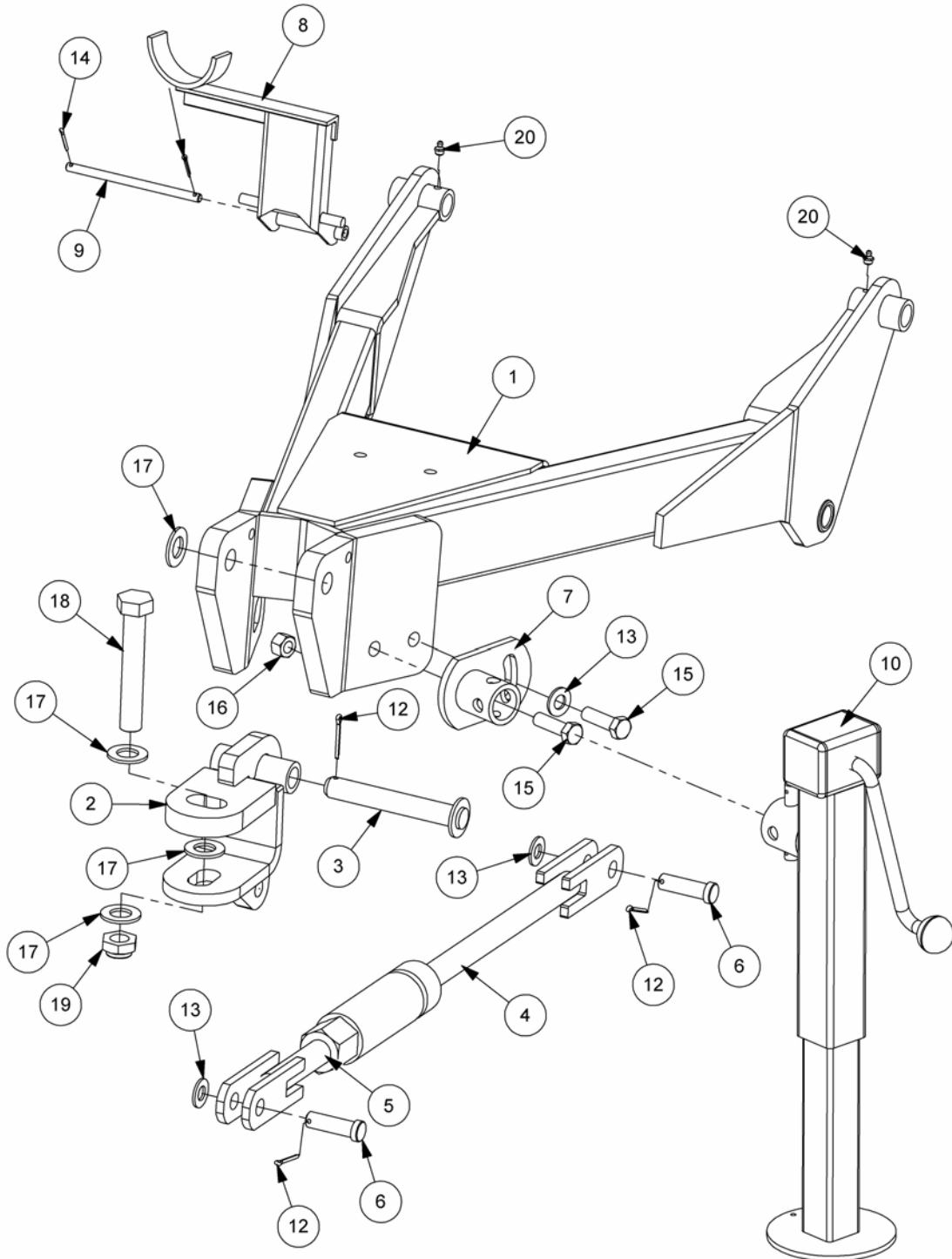
*Design improvements may alter some of the parts listed in this manual –
the latest part will always be supplied when it is interchangeable with an earlier one.*

List of Contents

	<i>Page No.</i>
Main Frame Components	
Standard Hitch Assembly	1.
High Hitch Assembly	3.
Centre Deck & Wings Assembly	5.
Chain Guards Assembly	7.
Axles, Wheels & Hubs Assembly	9.
8 Wheel Conversion Kit	11.
Levelling Assembly – <i>High Hitch Models</i>	13.
Blades & Pan Assembly	15.
Gearbox & Driveline Components	
Gearboxes & Driveshafts – <i>Layout & Rotation</i>	17.
Driveline Guards Assembly	19.
Divider Gearbox Assembly	21.
Centre Gearbox Assembly	23.
Left Hand Wing Gearbox Assembly	25.
Right Hand Wing Gearbox Assembly	27.
Driveshaft Assembly - <i>Centre Gearbox</i>	29.
Driveshaft Assembly - <i>Wing Gearboxes</i>	30.
Slip Clutch Assembly	31.
Hydraulic System Components	
Hydraulic Installation	32.
Axle Ram Assembly	33.
Wing Ram Assembly	35.
Lighting & Decals	
Lightbar Assembly	37.
Machine Decals	39.

STANDARD HITCH ASSEMBLY

Module:
1058712

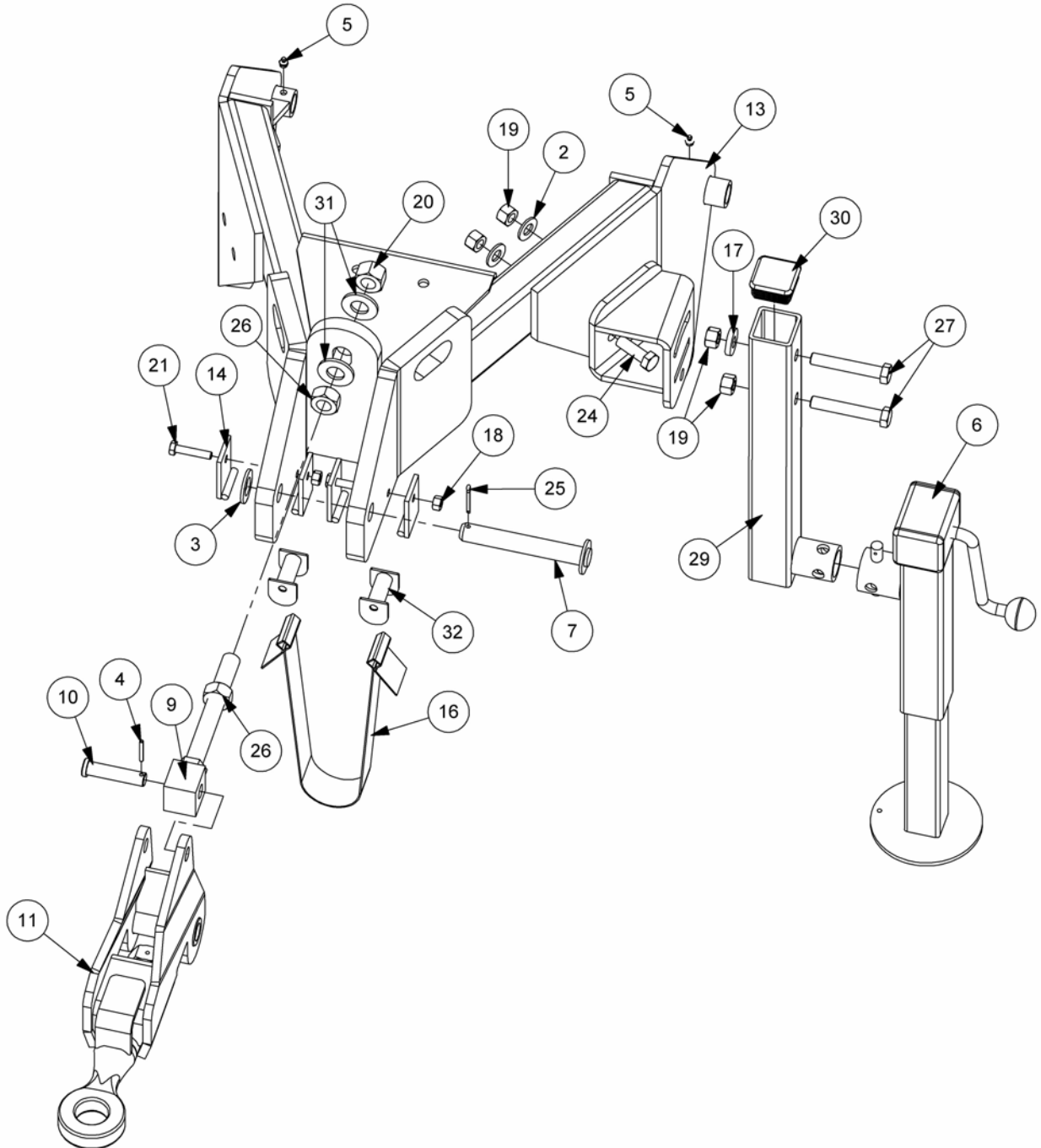


**STANDARD HITCH ASSEMBLY**

REF.	QTY.	PART No.	DESCRIPTION
		1058712	STANDARD HITCH ASSEMBLY
1	1	21878.01	STANDARD HITCH TONGUE
2	1	45945.01	CLEVIS
3	1	21846.01	HITCH PIN
4	1	45232.11	LONG CONTROL ROD
5	1	45232.12	CONTROL ROD
6	2	45213.02	PIN - PINTLE ROD REAR
7	1	45186.01	JACK TUBE MOUNT
8	1	21182.20	PTO SUPPORT
9	1	21182.40	PIVOT BAR
10	1	1048060	JACK
11	1	00764515	SAFETY CHAIN <i>(not illustrated)</i>
12	3	9501406	SPLIT PIN
13	3	0100106	FLAT WASHER
14	2	9501255	SPLIT PIN
15	2	9213117	BOLT
16	2	9143007	SELF-LOCKING NUT
17	4	0100109	FLAT WASHER - PLATED
18	1	0211489	BOLT
19	1	0141009	CLEVELOC NUT
20	2	0901121	GREASE NIPPLE

HIGH HITCH ASSEMBLY

Module:
1058711

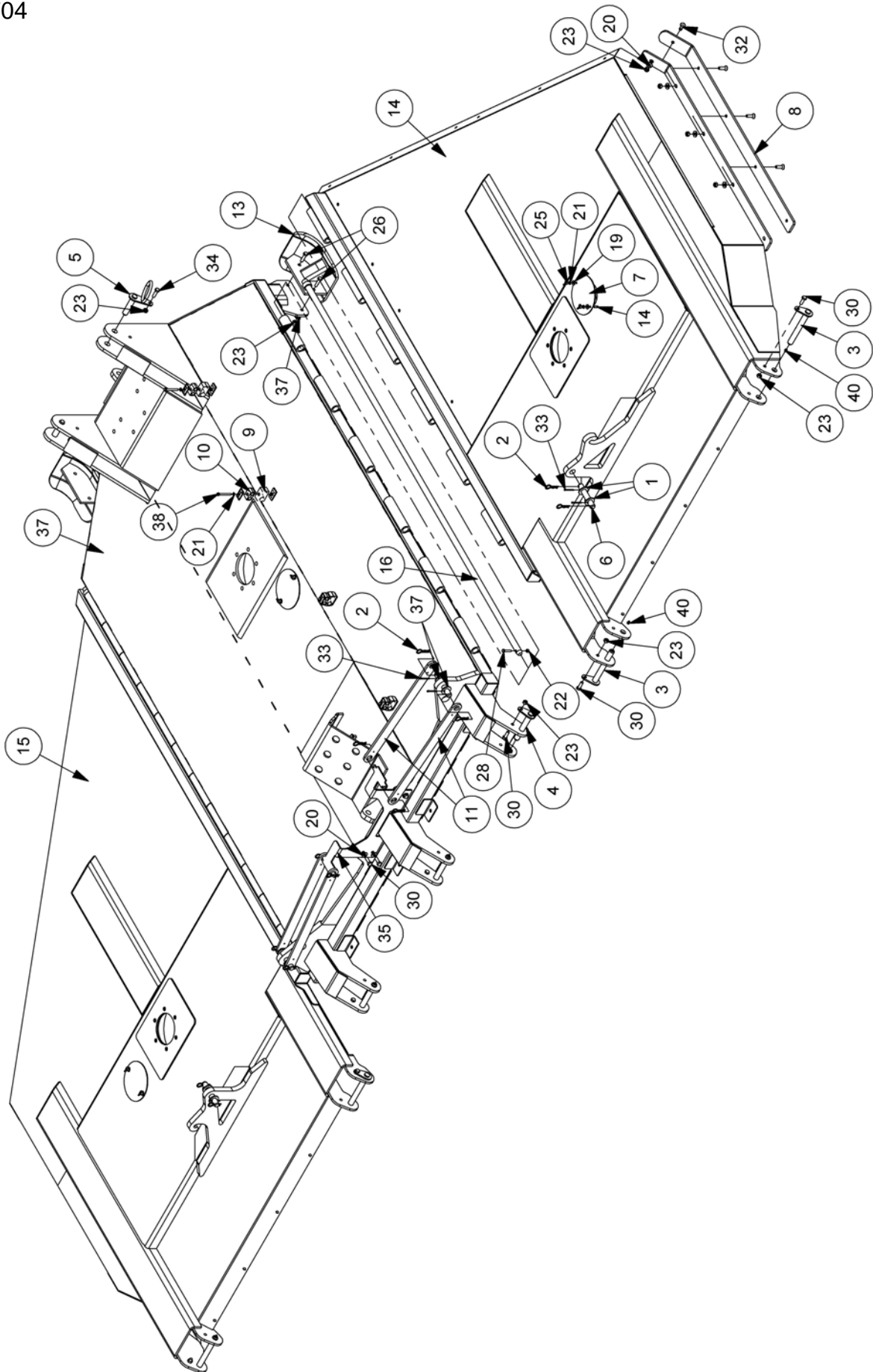


**HIGH HITCH ASSEMBLY**

REF.	QTY.	PART No.	DESCRIPTION
		1058711	HIGH HITCH ASSEMBLY
1	1	00764515	SAFETY CHAIN <i>(not illustrated)</i>
2	2	0100106	FLAT WASHER
3	1	0100109	FLAT WASHER
4	1	0425540	SPRING DOWEL
5	2	0901121	GREASE NIPPLE
6	1	1048060	JACK
7	1	21846.01	HITCH PIN
9	1	45203.03	ADJUSTER ROD
10	1	45213.01	PIN - LEVEL ROD
11	1	45235.03	SMALL PINTLE EYE HITCH
13	1	45830.02	HIGH HITCH TONGUE
14	4	45830.21	CLEAT
16	1	45830.46	STRAP
17	1	7390005	SPACER
18	2	9143005	SELF-LOCKING NUT
19	4	9143007	SELF-LOCKING NUT
20	1	9143009	SELF-LOCKING NUT
21	2	9213105	BOLT
23	1	9313097	SETSCREW
24	1	9313107	SETSCREW
25	1	9501406	SPLIT PIN
26	2	9113009	NUT
27	2	9213207	BOLT
28	1	21868.01	JACK ARM MOUNTING BRACKET
29	1	21869.01	JACK MOUNTING ARM
30	1	7191108	PLASTIC PLUG
31	2	9100109	FLAT WASHER
32	2	21870.01	STRAP CLAMP

CENTRE DECK & WINGS

Module:
1058704

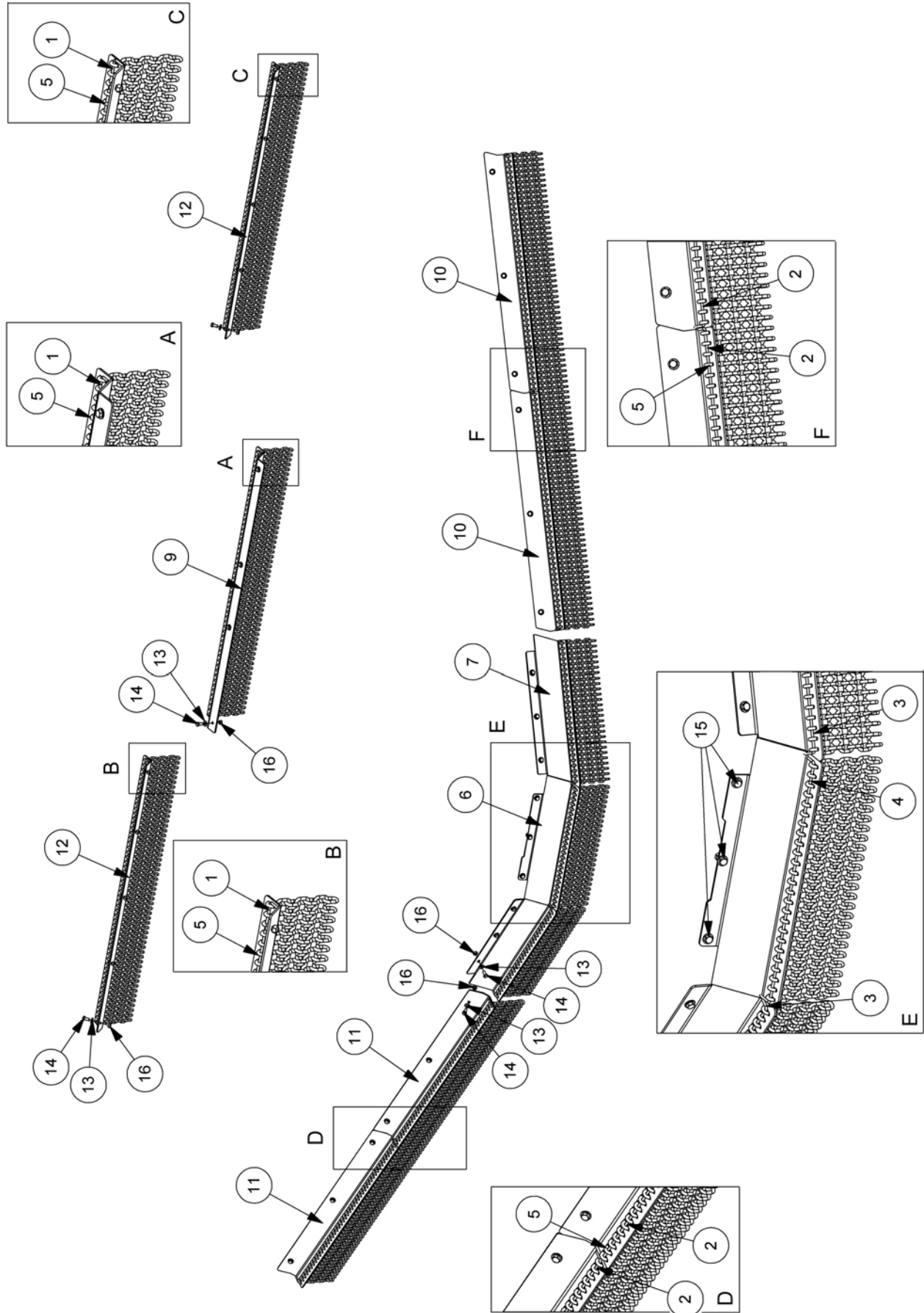


CENTRE DECK & WINGS

REF.	QTY.	PART No.	DESCRIPTION
		1058704	CENTRE DECK & WINGS ASSEMBLY
1	8	0100109	FLAT WASHER
2	12	0431105	SPRING COTTER
3	4	21820.01	PIN - AXLE PIVOT
4	3	21820.02	PIN - AXLE PIVOT
5	1	21822.01	PIN - HITCH
6	4	21830.01	PIN - RAM
7	3	21833.01	COVER
8	2	21834.01	WINGTIP SKID
9	4	3020969	PIPE CLAMP
10	4	42024.09	TWIN CLAMP
11	4	45201.01	TRANSPORT BAR
12	1	45239.01	SKID SHOE - L/H
13	1	45239.02	SKID SHOE - R/H
14	1	47069.02	WING - R/H
15	1	47069.03	WING - L/H
16	2	47069.14	HINGE PIN
18	4	7193066	CLAMP PLATE
19	6	9100104	FLAT WASHER
20	18	9100106	FLAT WASHER
21	10	9100204	SPRING WASHER
22	2	9143004	SELF-LOCKING NUT
23	27	9143006	SELF-LOCKING NUT
25	6	9193004	WING NUT
26	4	9213096	BOLT
28	2	9313084	SETSCREW
30	11	9313076	SETSCREW
32	10	9353086	CAPSCREW
33	8	9501406	SPLIT PIN
34	2	9313086	SETSCREW
35	1	21877.01	PACKING STRAP MOUNTING BRACKET
37	1	21838.01	CENTRE DECK
38	4	9213144	BOLT
39	1	21822.02	PIN - HITCH
40	7	0901121	GREASE NIPPLE

CHAIN GUARDS ASSEMBLY

Module:
1058705

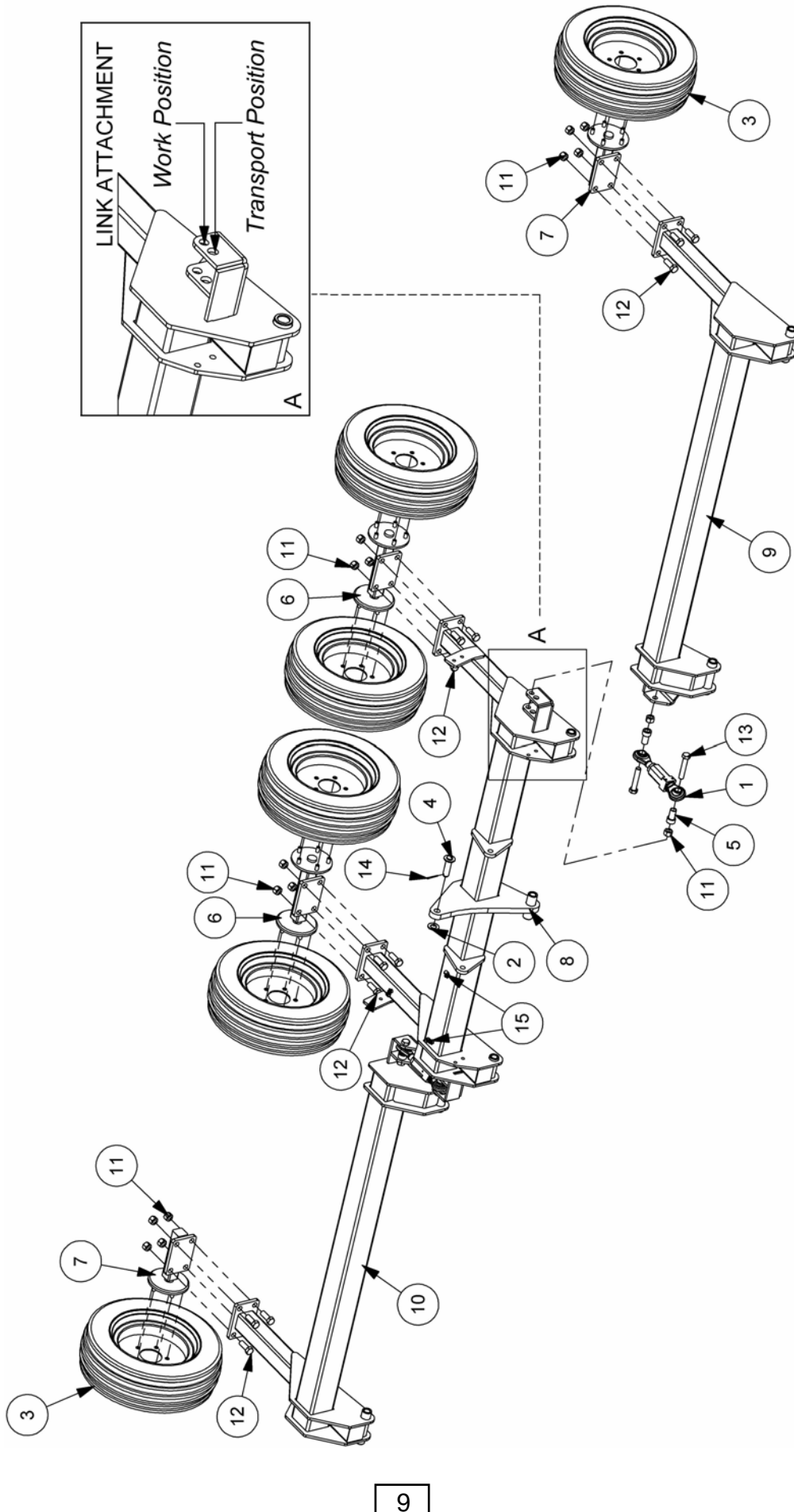


CHAIN GUARDS ASSEMBLY

REF.	QTY.	PART No.	DESCRIPTION
		1058705	CHAIN GUARDS ASSEMBLY
1	3	21835.01	CHAIN GUARD BAR - REAR GUARDS
2	4	21835.02	CHAIN GUARD BAR - FRONT WINGS
3	2	21835.03	CHAIN GUARD BAR - FRONT CENTRE
4	1	21835.04	CHAIN GUARD BAR - FRONT CENTRE
5	424	46943.21	CHAIN ASSEMBLY (7 LINKS)
6	1	47105.58	FRONT GUARD - CENTRE DECK
7	1	47105.59	FRONT GUARD - CENTRE DECK L/H
8	1	47105.60	FRONT GUARD - CENTRE DECK R/H
9	1	47105.61	REAR GUARD - CENTRE DECK
10	2	47105.65	FRONT GUARD - L/H WING
11	2	47105.66	FRONT GUARD - R/H WING
12	2	47105.67	REAR GUARD - WINGS
13	35	9100106	FLAT WASHER
14	32	9313066	SETSCREW
15	3	9313076	SETSCREW
16	35	9143006	SELF-LOCKING NUT

AXLES, WHEELS & HUBS

Module:
1058707

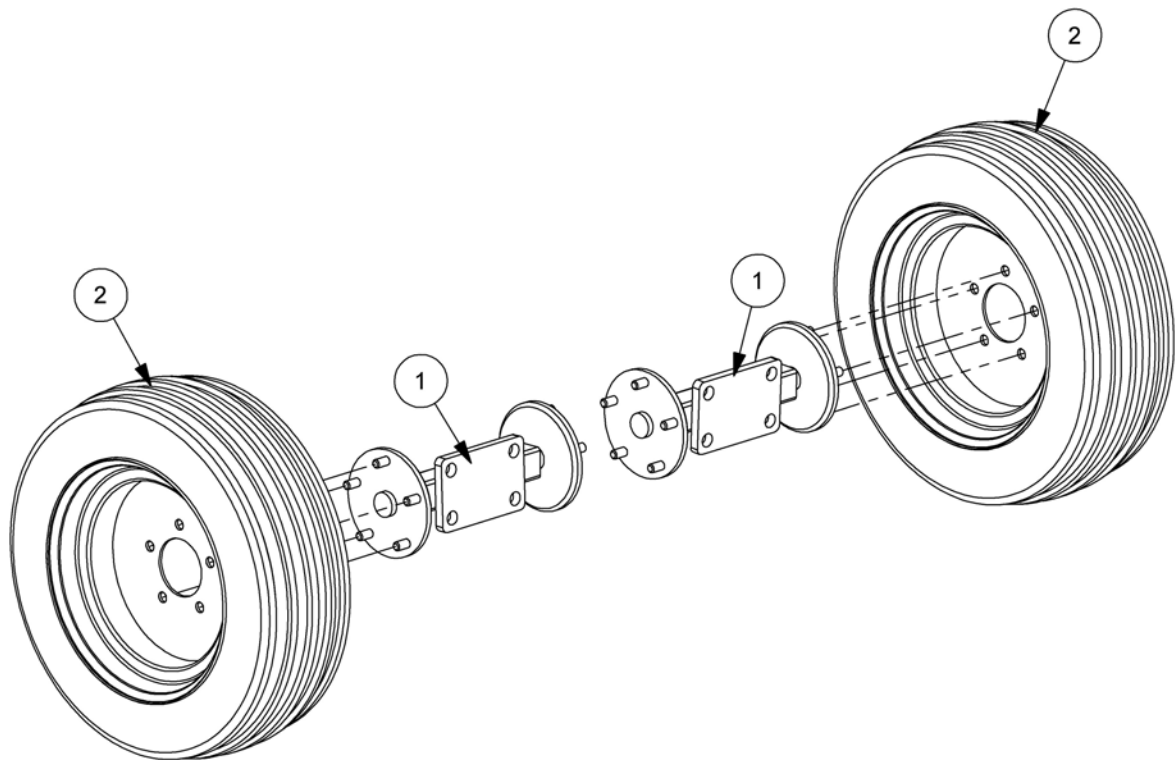


AXLES, WHEELS & HUBS

REF.	QTY.	PART No.	DESCRIPTION
		1058707	AXLES, WHEELS & HUBS ASSEMBLY
1	2	00763449	CONTROL ROD SWIVEL
2	1	0100109	FLAT WASHER
3	6	1048038AP	WHEEL & TYRE ASSEMBLY
4	1	21826.01	PIN - RAM TO AXLE
5	4	21867.01	STEPPED SLEEVE - AXLE LINK
6	2	46992.22	TWIN HUB (<i>includes Wheel Nuts</i>)
7	2	46992.23	SINGLE HUB (<i>includes Wheel Nuts</i>)
8	1	21825.01	CENTRE AXLE
9	1	21865.01	WING AXLE - L/H
10	1	21865.02	WING AXLE - R/H
11	20	9143008	SELF-LOCKING NUT
12	16	9313118	SETSCREW
13	4	9213228	BOLT
14	1	9501406	SPLIT PIN
15	4	21151.01	D CLIP
16	4	9100103	FLAT WASHER
17	4	9100203	SPRING WASHER
18	4	9313023	SETSCREW

8 WHEEL CONVERSION KIT

Module:
1058522



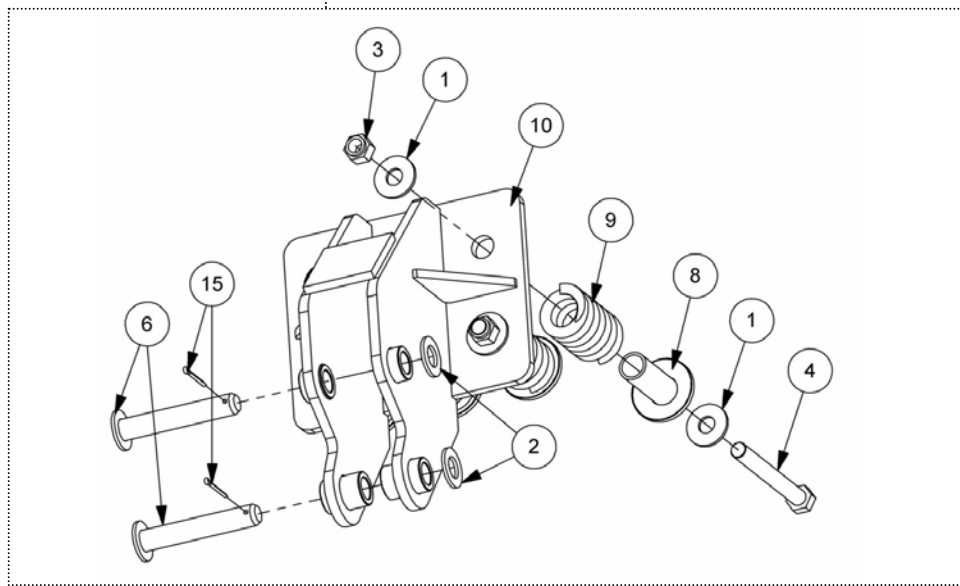
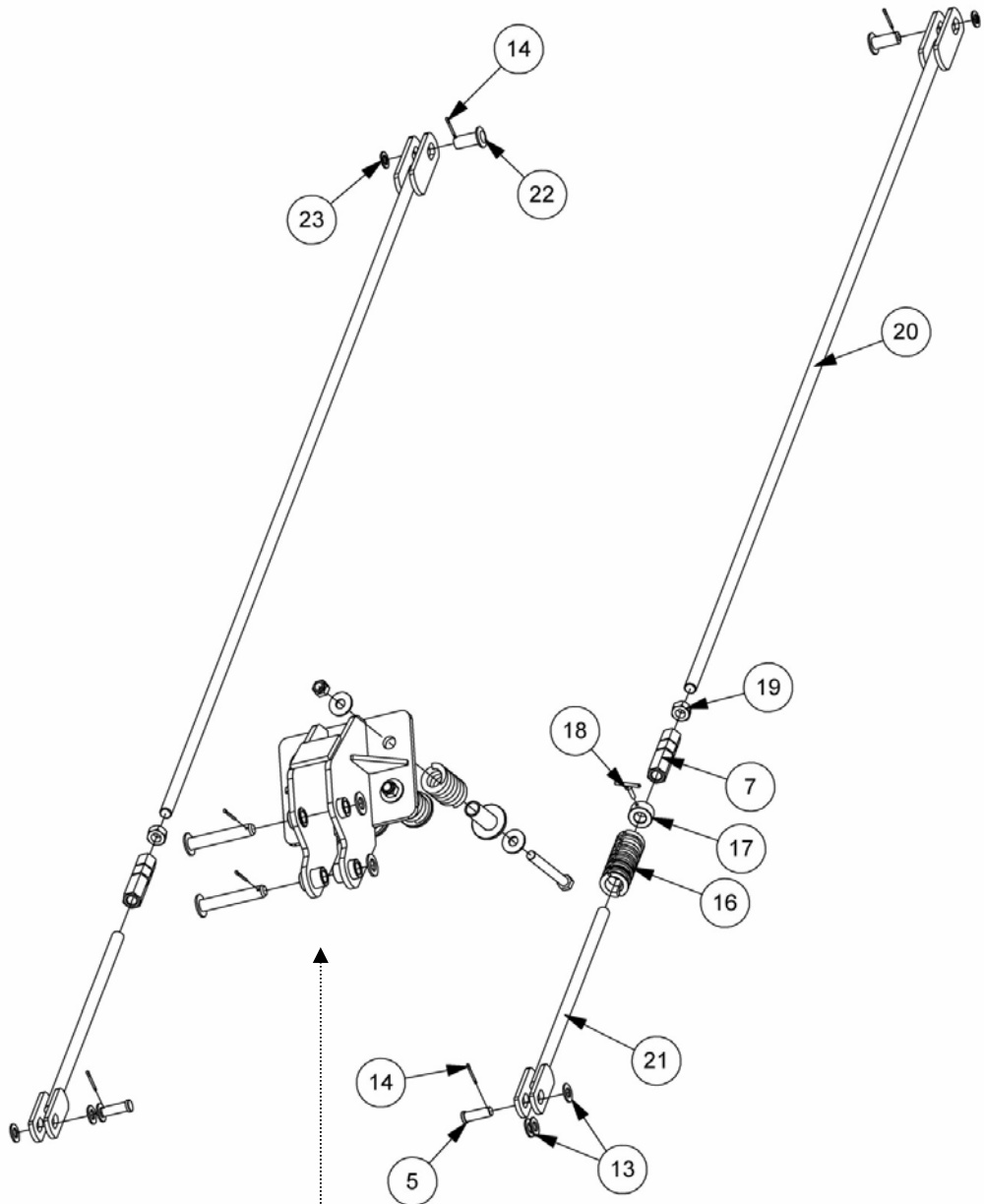
REF.	QTY.	PART No.	DESCRIPTION
		1058522	8 WHEEL CONVERSION KIT
1	2	46992.22	TWIN HUB (<i>includes Wheel Nuts</i>)
2	2	1048038AP	WHEEL ASSEMBLY



This page is intentionally blank

LEVELLING – High Hitch Models

Module:
1058701

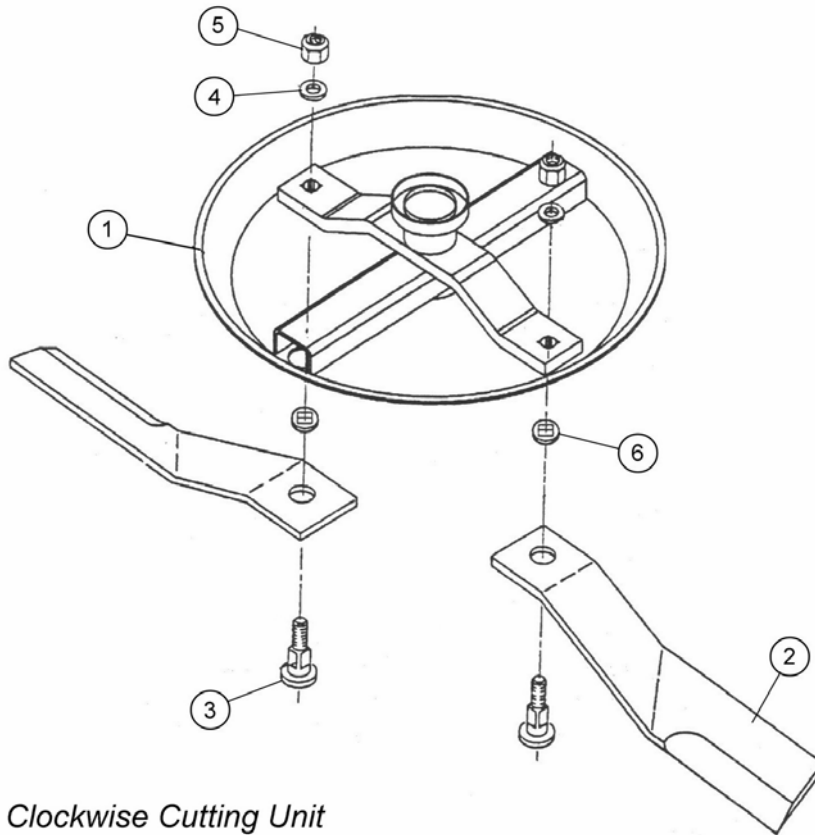


LEVELLING – High Hitch Models

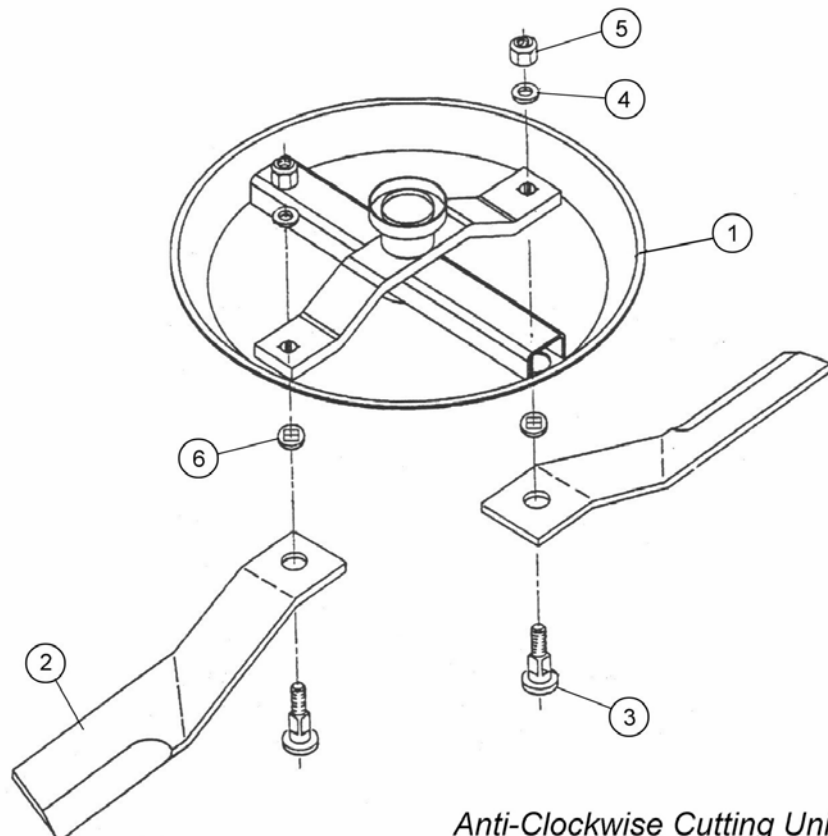
REF.	QTY.	PART No.	DESCRIPTION
		1058701	LEVELLING ASSEMBLY - High Hitch Models
1	12	00002701	FLAT WASHER
2	2	0100109	FLAT WASHER
3	6	0142007	CLEVELOC NUT
4	6	0212527	BOLT
5	2	21818.01	PIN - LEVELLING ROD
6	2	21826.02	PIN - SUSPENSION PIVOT
7	2	45227.01	ADJUSTMENT NUT
8	6	45246.01	SPRING GUIDE
9	6	45247.01	COMPRESSION SPRING
10	1	47069.17	SUSPENSION BRACKET
13	6	9100108	FLAT WASHER
14	4	9501326	SPLIT PIN
15	2	9501406	SPLIT PIN
16	1	00755234	CONTROL SPACER KIT
17	1	21860.01	LOCKING BOSS
18	1	21861.01	LOCKING HANDLE
19	2	9113009	NUT
20	2	21897.02	LEVELLING BAR - LONG
21	2	21897.01	LEVELLING BAR - SHORT
22	2	21818.02	PIN - FRONT LEVELLING ROD
23	2	0100106	FLAT WASHER

BLADES & PAN ASSEMBLY

Module:
1058708



Clockwise Cutting Unit



Anti-Clockwise Cutting Unit

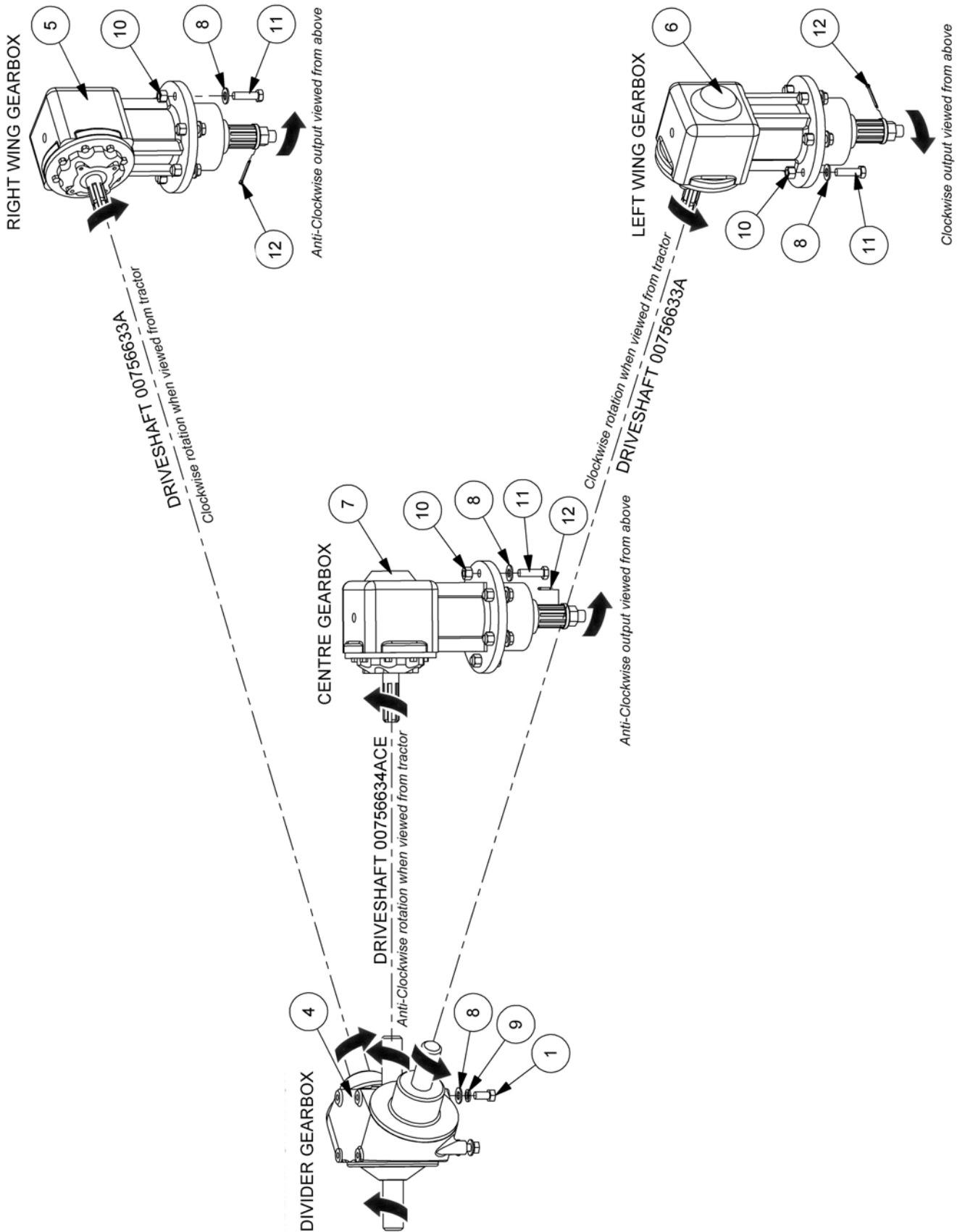
**BLADES & PAN ASSEMBLY**

REF.	QTY.	PART No.	DESCRIPTION
		1058708	BLADES & PAN ASSEMBLY
1	3	00767541	BLADE PAN (2-3/8" HUB)
2	4	00764679P	ANTI-CLOCKWISE BLADE (CENTRE & RIGHT WING)
	2	00764678P	CLOCKWISE BLADE (LEFT WING)
3	6	8227	BLADE BOLT
4	6	9216	WASHER
5	6	5JRC16140	LOCKNUT
6	6	00758579	WASHER - SPECIAL SQUARE HOLE

*NOTE: Quantities above are for all 3 cutting units -
Left Wing unit cuts Clockwise - Centre & Right Wing units cut Anti-Clockwise*

GEARBOXES & DRIVESHAFTS

Module:
1058700

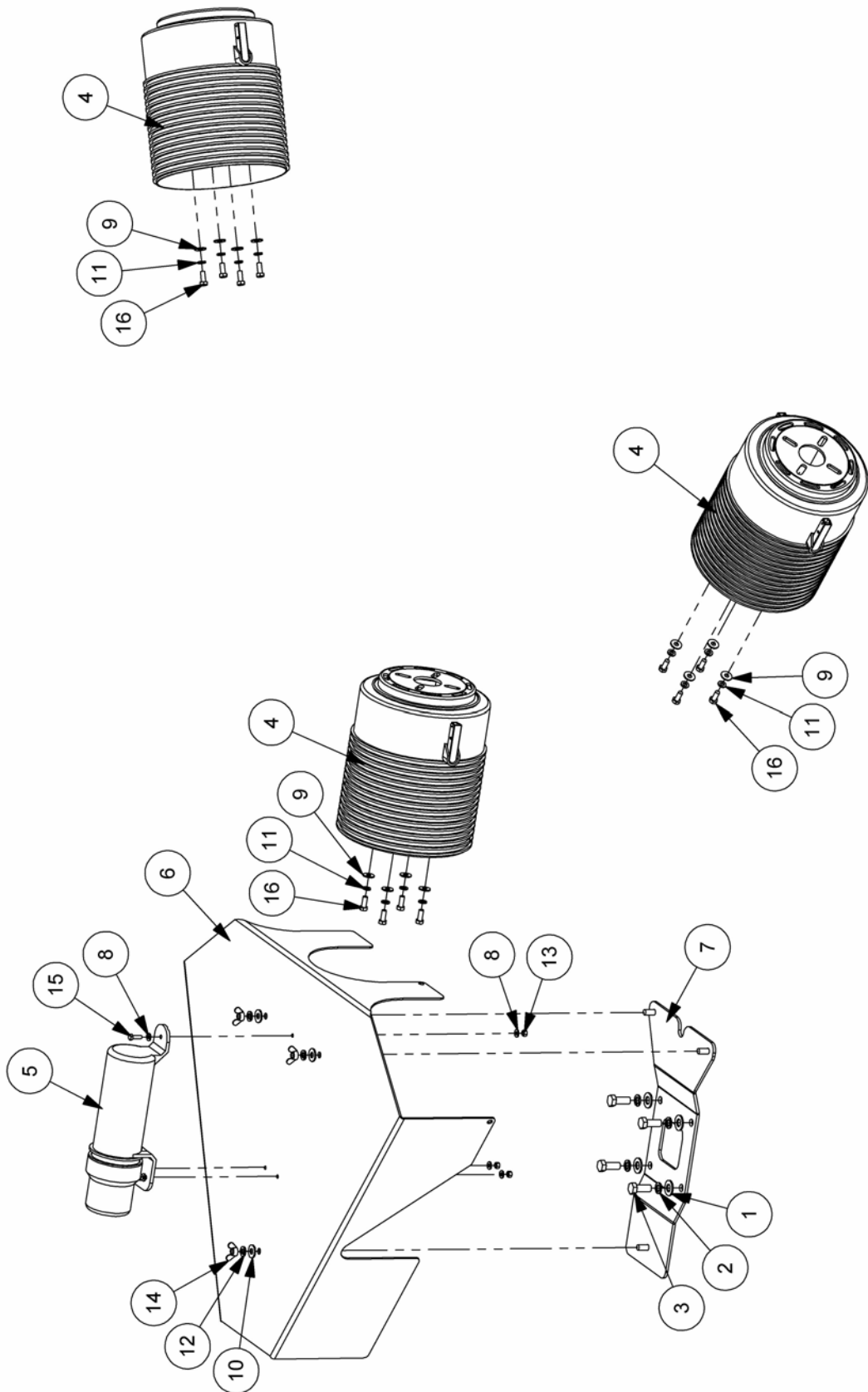


GEARBOXES & DRIVESHAFTS

REF.	QTY.	PART No.	DESCRIPTION
		1058700	GEARBOXES & DRIVESHAFTS ASSEMBLY
1	6	00752658	HEX SCREW
2	2	00756633A	DRIVE SHAFT
3	1	00756634ACE	DRIVE SHAFT
4	1	00769116P	DIVIDER GEARBOX
5	1	00769924P	WING GEARBOX - R/H
6	1	00769927P	WING GEARBOX - L/H
7	1	00769930	CENTRE GEARBOX
8	24	0100106	FLAT WASHER
9	6	0100206	SPRING WASHER
10	18	9143007	SELF-LOCKING NUT
11	18	9313117	SETSCREW
12	3	0503205	COTTER PIN

DRIVELINE GUARDS ASSEMBLY

Module:
1058706

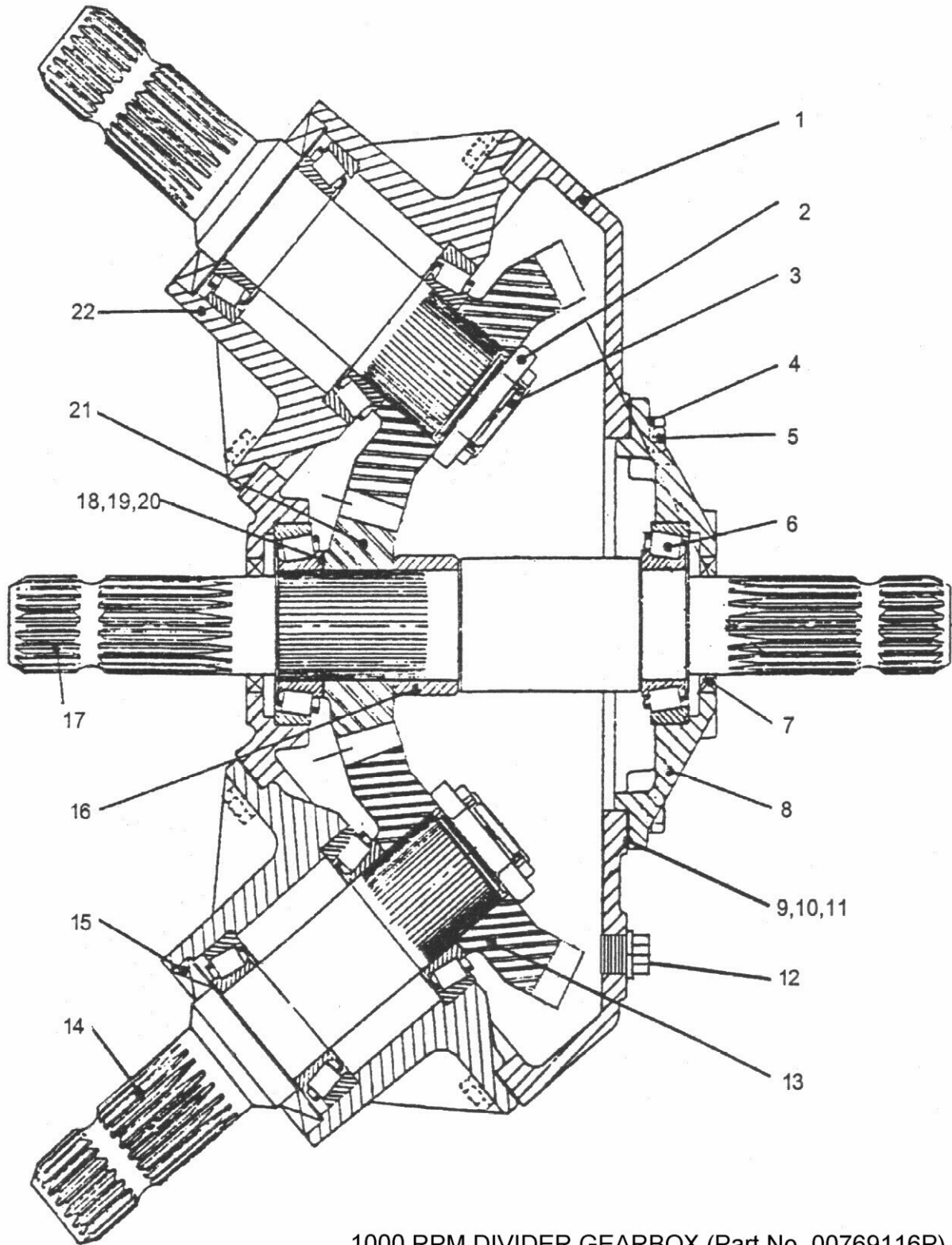


**DRIVELINE GUARDS ASSEMBLY**

REF.	QTY.	PART No.	DESCRIPTION
		1058706	DRIVELINE GUARDS ASSEMBLY
1	4	0100105	FLAT WASHER
2	4	0100205	SPRING WASHER
3	4	02030700	HEX SCREW
4	3	21839.01	PTO GUARD
5	1	46505.01	LITERATURE HOLDER
6	1	47069.73	GUARD - DIVIDER GEARBOX
7	1	47105.03	COVER MOUNTING - DIVIDER GEARBOX
8	6	9100103	FLAT WASHER
9	12	9100104	FLAT WASHER
10	3	9100105	FLAT WASHER
11	12	9100204	SPRING WASHER
12	3	9100205	SPRING WASHER
13	3	9143003	SELF-LOCKING NUT
14	3	9193005	WING NUT
15	3	9313043	SETSCREW
16	12	9313044	SETSCREW

DIVIDER GEARBOX (1000 rpm)

Module:
00769116P



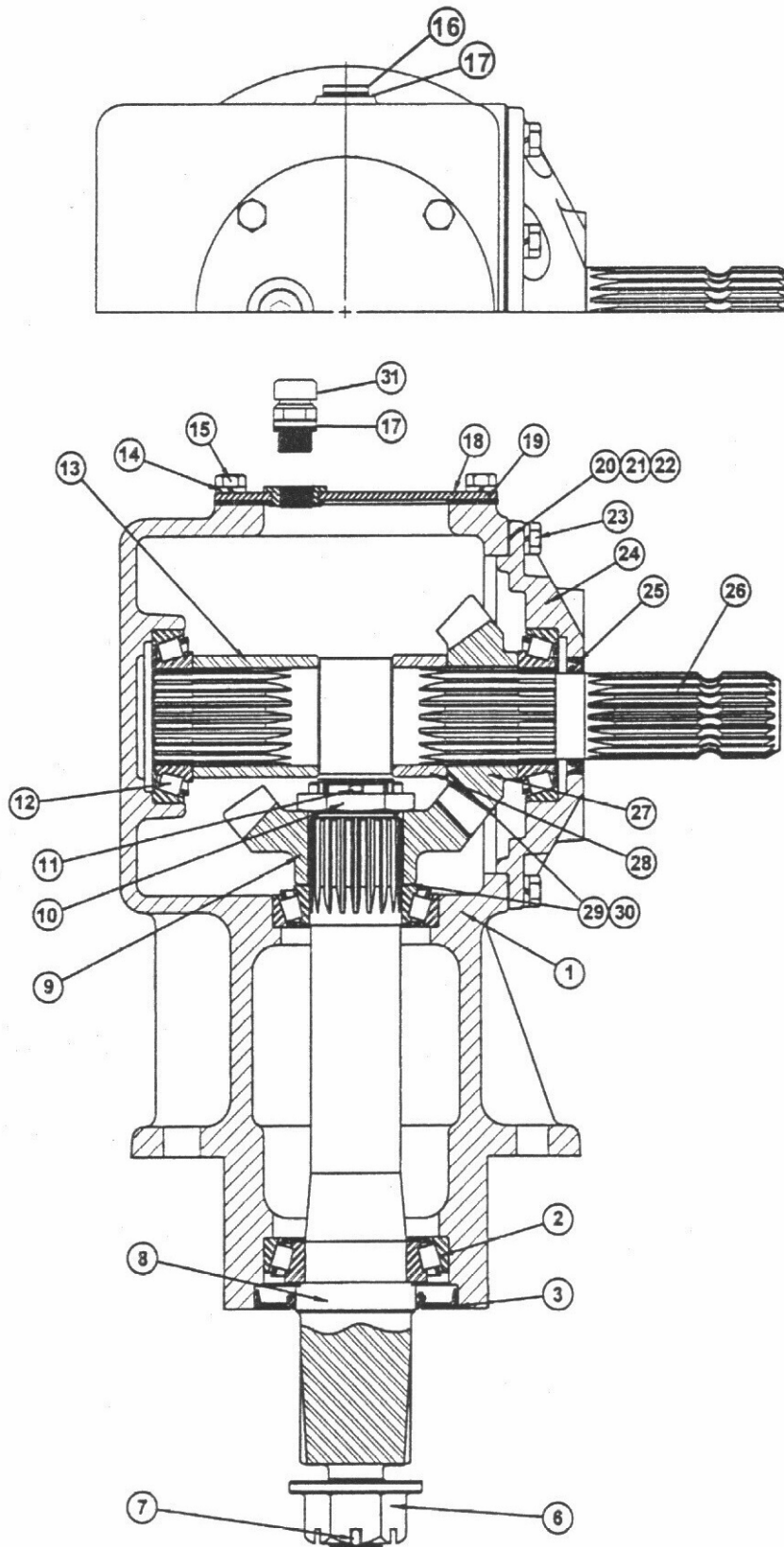
1000 RPM DIVIDER GEARBOX (Part No. 00769116P)


DIVIDER GEARBOX (1000 rpm)

REF.	QTY.	PART No.	DESCRIPTION
		00769116	DIVIDER GEARBOX ASSEMBLY (1000 RPM)
1	1	00769162	DIVIDER GEARBOX HOUSING
2	2	00762121	SLOTTED NUT
3	2	00026200	COTTER PIN
4	24	00755954	LOCKWASHER
5	24	00758659	BOLT
6	6	00755628	BEARING
7	2	00758653	SEAL
8	1	00762128	INPUT CAP
9	<i>as req'd</i>	00758646	SHIM (ADJUSTMENT 0.1)
10	<i>as req'd</i>	00758647	SHIM (ADJUSTMENT 0.25)
11	<i>as req'd</i>	00758648	SHIM (ADJUSTMENT 0.5)
12	1	00762123	LEVEL PLUG
13	2	00769159	GEAR (26 TOOTH)
14	2	00762522	SIDE INPUT SHAFT
15	2	00762521	SEAL
16	1	00758657	SPACER - INPUT SHAFT
17	1	00769163	MAIN INPUT SHAFT
18	<i>as req'd</i>	00758667	SHIM (ADJUSTMENT 0.3)
19	<i>as req'd</i>	00758666	SHIM (ADJUSTMENT 0.4)
20	<i>as req'd</i>	00758668	SHIM (ADJUSTMENT 0.4)
21	1	00769158	GEAR (20 TOOTH)
22	2	00762520	HORZ. HUB CAP
23	1	00762114	PIPE PLUG - VENTED (<i>not illustrated</i>)

CENTRE GEARBOX (1000 rpm)

Module:
00769930

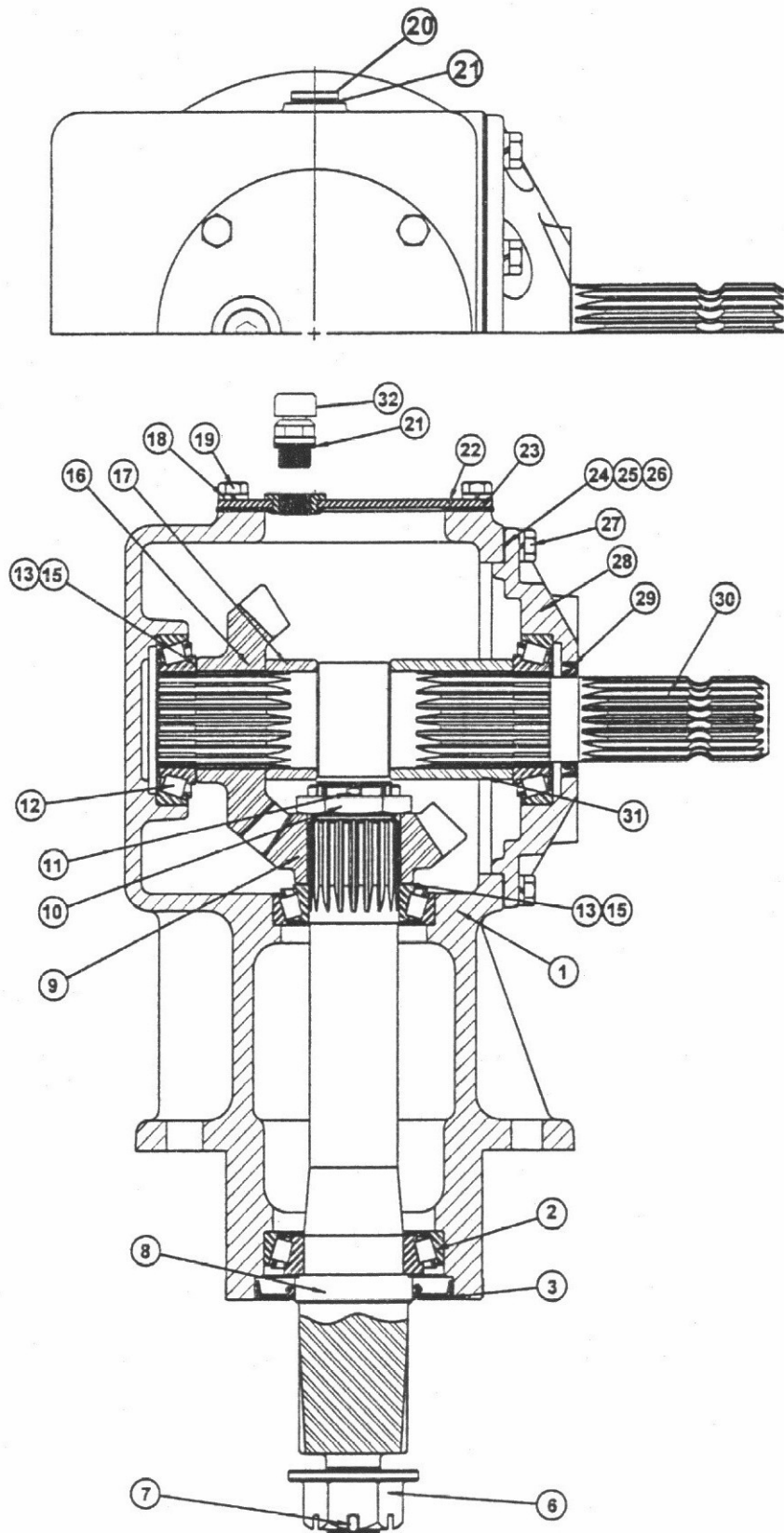


1000 RPM CENTRE GEARBOX (Part No. 00769930)

CENTRE GEARBOX (1000 rpm)

REF.	QTY.	PART No.	DESCRIPTION
		00769930	CENTRE GEARBOX ASSEMBLY (1000 RPM)
1	1	00770724	HOUSING
2	1	00770725	BEARING ASSEMBLY
3	1	00770726	OIL SEAL
6	1	00771226	FLANGE NUT SLOT
7	1	01422502	COTTER PIN
8	1	00770725	VERTICAL OUTPUT SHAFT
9	1	00770729	GEAR (19 TOOTH)
10	1	00762121	NUT
11	1	00606000	COTTER PIN
12	3	00755628	BEARING ASSEMBLY
13	1	00770731	INPUT SHAFT SPACER (SHORT)
14	12	00766083	LOCKWASHER
15	4	00754338	BOLT
16	1	00762517	PLUG
17	2	00769321	SEALING WASHER
18	1	00770732	INSPECTION COVER
19	1	00770733	INSPECTION COVER GASKET
20	<i>as req'd</i>	00758646	SHIM (ADJUSTMENT 0.10)
21	<i>as req'd</i>	00758647	SHIM (ADJUSTMENT 0.25)
22	<i>as req'd</i>	00758648	SHIM (ADJUSTMENT 0.50)
23	8	00765905	BOLT
24	1	00770734	INPUT CAP
25	1	00758653	SEAL
26	1	00770735	INPUT SHAFT
27	1	00770736	13 TOOTH PINION
28	1	00758657	INPUT SHAFT SPACER (LONG)
29	<i>as req'd</i>	00758667	SHIM (ADJUSTMENT 0.30)
30	<i>as req'd</i>	00758668	SHIM (ADJUSTMENT 0.50)
31	1	00762114	PLUG VENT

Module:
00769927P



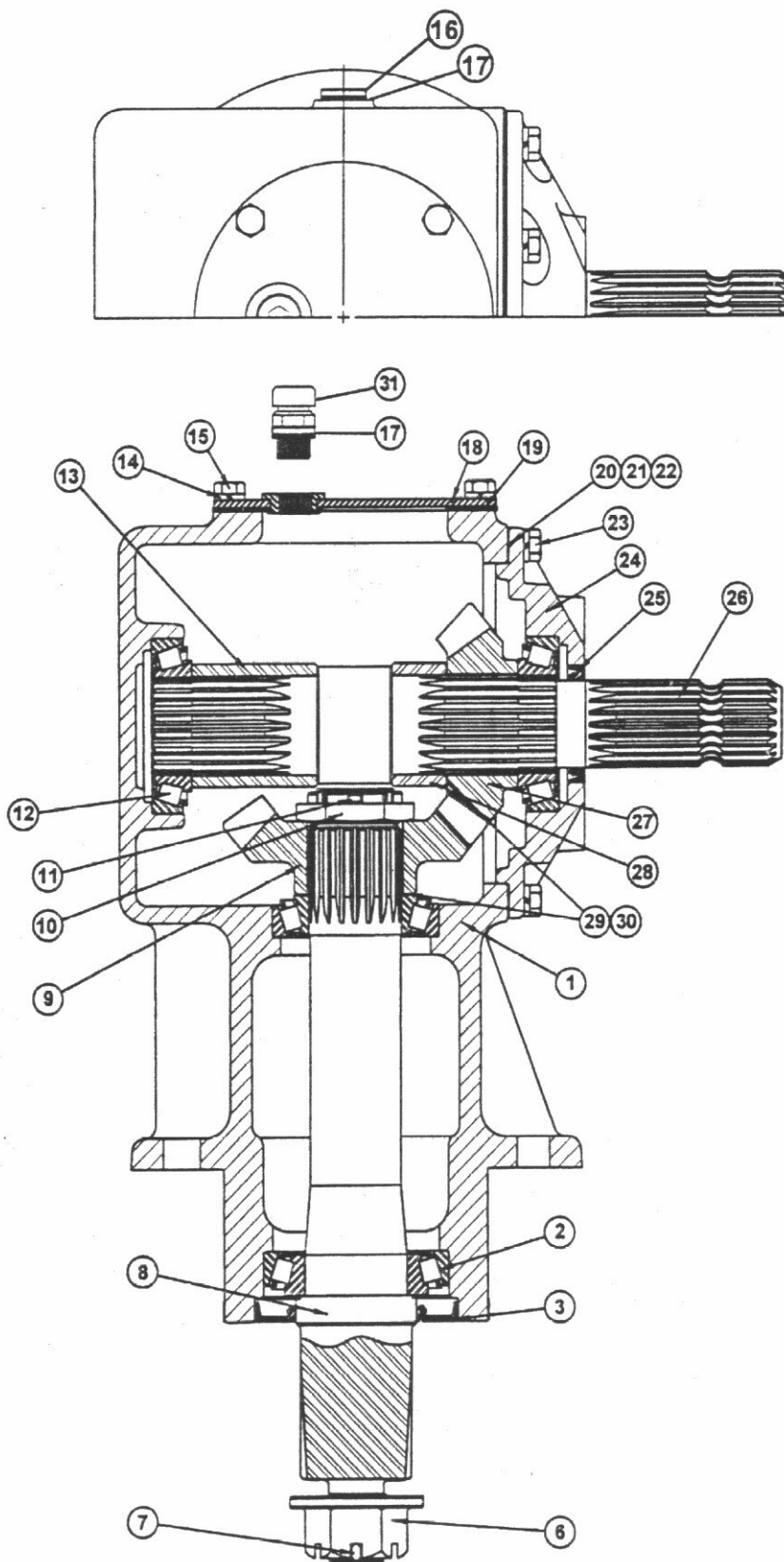
1000 RPM L/H WING GEARBOX (Part No. 00769927P)



L/H WING GEARBOX (1000 rpm)

REF.	QTY.	PART No.	DESCRIPTION
		00769927P	L/H WING GEARBOX ASSEMBLY (1000 RPM)
1	1	00770724	HOUSING
2	1	00770725	BEARING ASSEMBLY
3	1	00770726	OIL SEAL
6	1	00771226	FLANGE NUT SLOT
7	1	01422502	COTTER PIN
8	1	00770728	VERTICAL OUTPUT SHAFT
9	1	00770739	GEAR (17 TOOTH)
10	1	00762121	NUT
11	1	00606000	COTTER PIN
12	3	00755628	BEARING ASSEMBLY
13	<i>as req'd</i>	00758667	SHIM (ADJUSTMENT 0.30)
15	<i>as req'd</i>	00758668	SHIM (ADJUSTMENT 0.50)
16	1	00770738	GEAR (14 TOOTH)
17	1	00758657	INPUT SHAFT SPACER (LONG)
18	12	00766083	LOCKWASHER
19	4	00754338	BOLT
20	1	00762517	PLUG SOCKET HEAD
21	2	00769321	SEALING WASHER
22	1	00770732	INSPECTION COVER
23	1	00770733	INSPECTION COVER GASKET
24	<i>as req'd</i>	00758646	SHIM (ADJUSTMENT 0.10)
25	<i>as req'd</i>	00758647	SHIM (ADJUSTMENT 0.25)
26	<i>as req'd</i>	00758648	SHIM (ADJUSTMENT 0.50)
27	8	00765905	BOLT
28	1	00770734	INPUT CAP
29	1	00758653	OIL SEAL
30	1	00770735	INPUT SHAFT
31	1	00770731	INPUT SHAFT SPACER (SHORT)
32	1	00762114	PLUG VENT

Module:
00769924P



1000 RPM R/H WING GEARBOX (Part No. 00769924P)

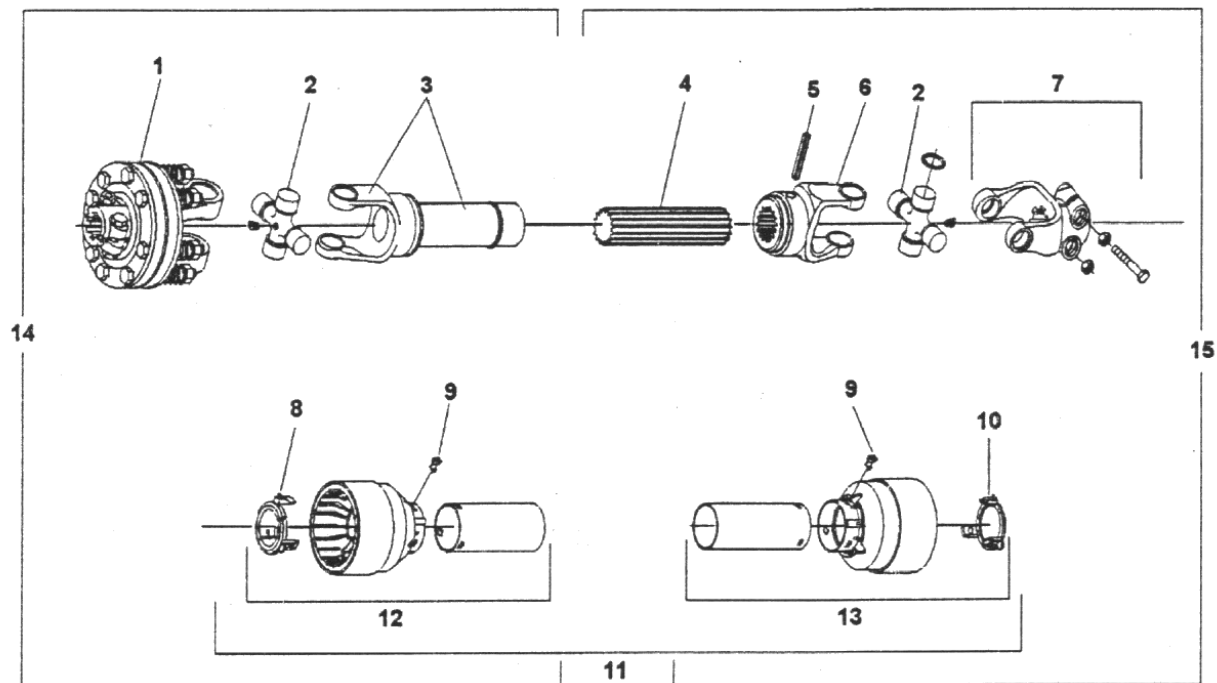


R/H WING GEARBOX (1000 rpm)

REF.	QTY.	PART No.	DESCRIPTION
		00769924P	R/H WING GEARBOX ASSEMBLY (1000 RPM)
1	1	00770724	HOUSING
2	1	00770725	BEARING ASSEMBLY
3	1	00770726	OIL SEAL
6	1	00771226	FLANGE NUT SLOT
7	1	01422502	COTTER PIN
8	1	00770728	VERTICAL OUTPUT SHAFT
9	1	00770739	GEAR (17 TOOTH)
10	1	00762121	NUT
11	1	00606000	COTTER PIN
12	3	00755628	BEARING ASSEMBLY
13	1	00770731	INPUT SHAFT SPACER (SHORT)
14	12	00766083	LOCKWASHER
15	4	00754338	BOLT
16	1	00762517	PLUG SOCKET HEAD
17	2	00769321	SEALING WASHER
18	1	00770732	INSPECTION COVER
19	1	00770733	INSPECTION COVER GASKET
20	<i>as req'd</i>	00758646	SHIM (ADJUSTMENT 0.10)
21	<i>as req'd</i>	00758647	SHIM (ADJUSTMENT 0.25)
22	<i>as req'd</i>	00758648	SHIM (ADJUSTMENT 0.50)
23	8	00765905	BOLT
24	1	00770734	INPUT CAP
25	1	00758653	SEAL
26	1	00770735	INPUT SHAFT
27	1	00770738	14 TOOTH PINION
28	1	00758657	INPUT SHAFT SPACER (LONG)
29	<i>as req'd</i>	00758667	SHIM (ADJUSTMENT 0.30)
31	<i>as req'd</i>	00758668	SHIM (ADJUSTMENT 0.50)
32	1	00762114	PLUG VENT

Module:

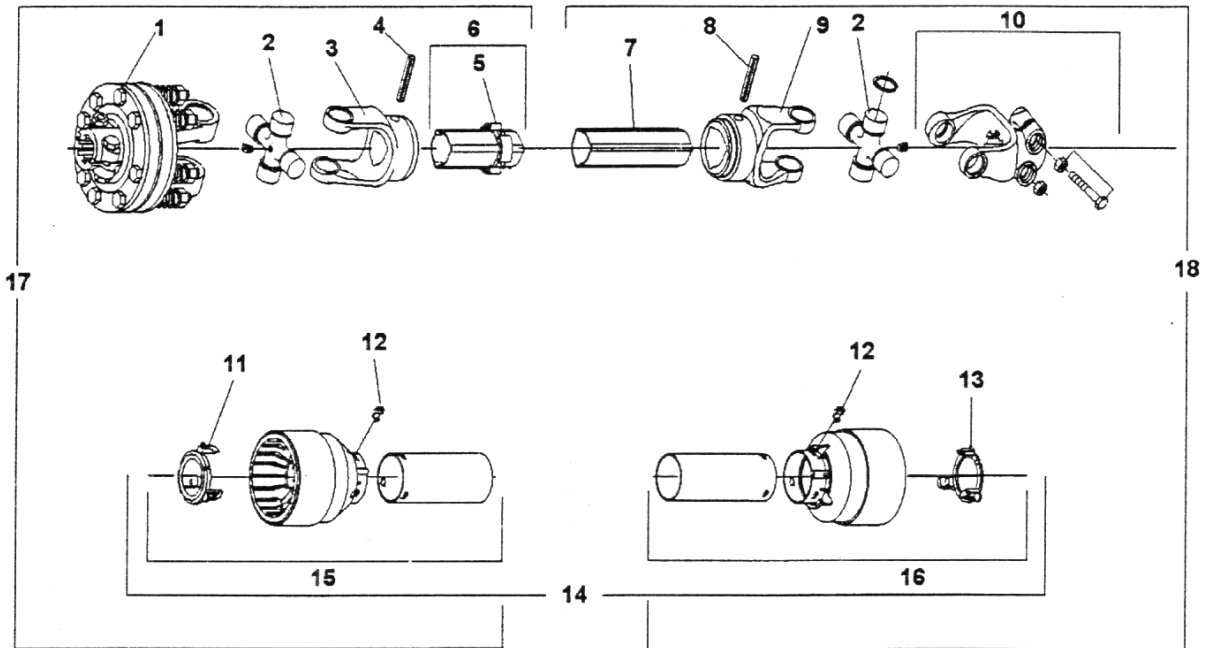
00756634ACE



REF.	QTY.	PART No.	DESCRIPTION
		00756634ACE	DRIVESHAFT (CENTRE GEARBOX)
1	1	00756173	SLIP CLUTCH
2	2	00753068	CROSS JOURNAL SET
3	1	00772269	YOKE WITH SLEEVE ASSEMBLY
4	1	00756651	SPLINED SHAFT
5	1	00758159	ROLL PIN
6	1	00766585	INNER YOKE
7	1	00772743	COMPLETE INTERFERING CLAMP BOLT YOKE 165
8	1	00765420	GUARD RETAINING COLLAR FOR INNER TUBE
9	6	00754330	BOLT
10	1	00765417	RETAINING COLLAR FOR INNER TUBE
11	1	00765463	COMPLETE GUARD c/w INSTRUCTION MANUAL
12	1	00765461	HALF FEMALE GUARD
13	1	00765462	HALF MALE GUARD
14	1	00765459	HALF FEMALE SHAFT c/w GUARDING
15	1	00765460	HALF MALE SHAFT c/w GUARDING

DRIVESHAFT - WING GEARBOXES

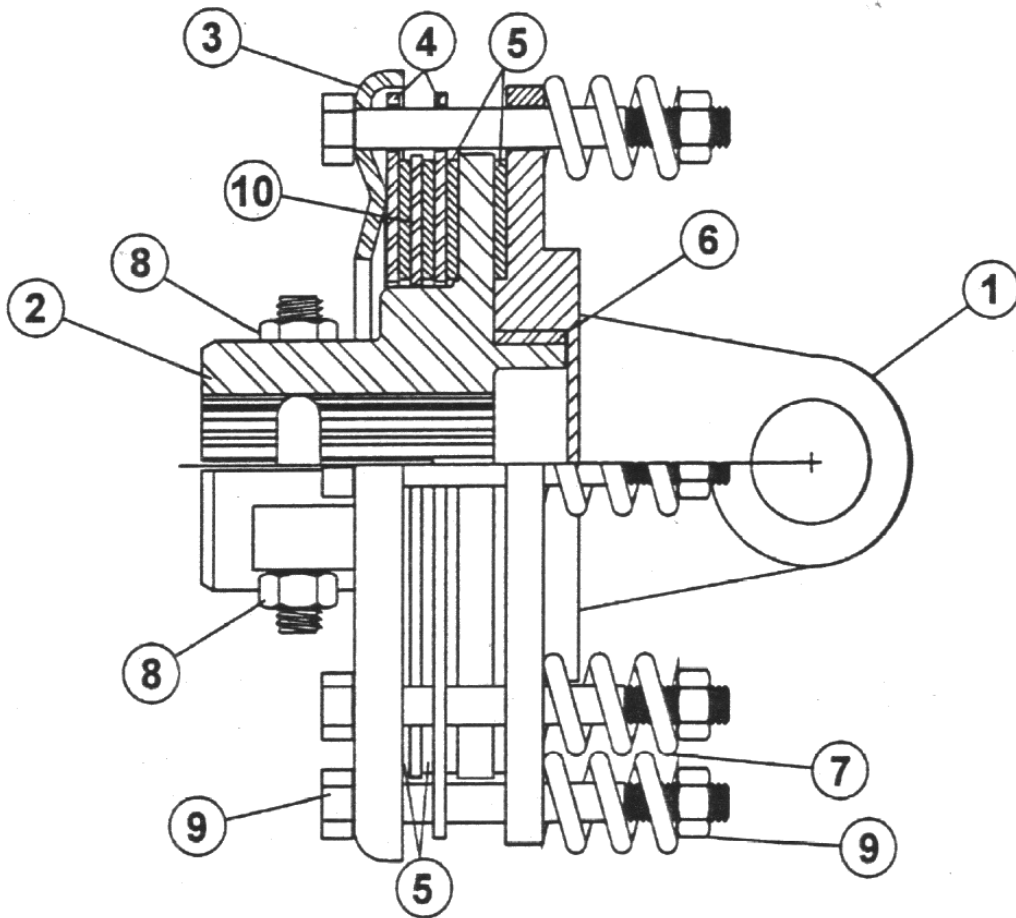
Module:
00756633A



REF.	QTY.	PART No.	DESCRIPTION
		00756633A	DRIVESHAFT (WING GEARBOXES)
1	1	00756173	SLIP CLUTCH c/w SPRING
2	2	00753068	CROSS JOURNAL SET
3	1	00765471	OUTER YOKE
4	1	00766934	ROLL PIN FOR OUTER TUBE
5	1	00772932	BUSH c/w GREASE NIPPLE
6	1	00765466	COMPLETE OUTER TUBE
7	1	00765465	INNER TUBE
8	1	00756934	ROLL PIN FOR INNER TUBE
9	1	00765472	INNER YOKE
10	1	00757040	COMPLETE INTERFERING CLAMP BOLT YOKE 165
11	1	00765420	GUARD RETAINING COLLAR FOR OUTER TUBE
12	6	00754330	BOLT
13	1	00765417	GUARD RETAINING COLLAR FOR INNER TUBE
14	1	00765448	COMPLETE GUARD c/w INSTRUCTION MANUAL
15	1	00765438	HALF FEMALE GUARD
16	1	00765439	HALF MALE GUARD
17	1	00765447	HALF FEMALE SHAFT c/w GUARDING
18	1	00765446	HALF MALE SHAFT c/w GUARDING

SLIP CLUTCH ASSEMBLY

Module:
00756173

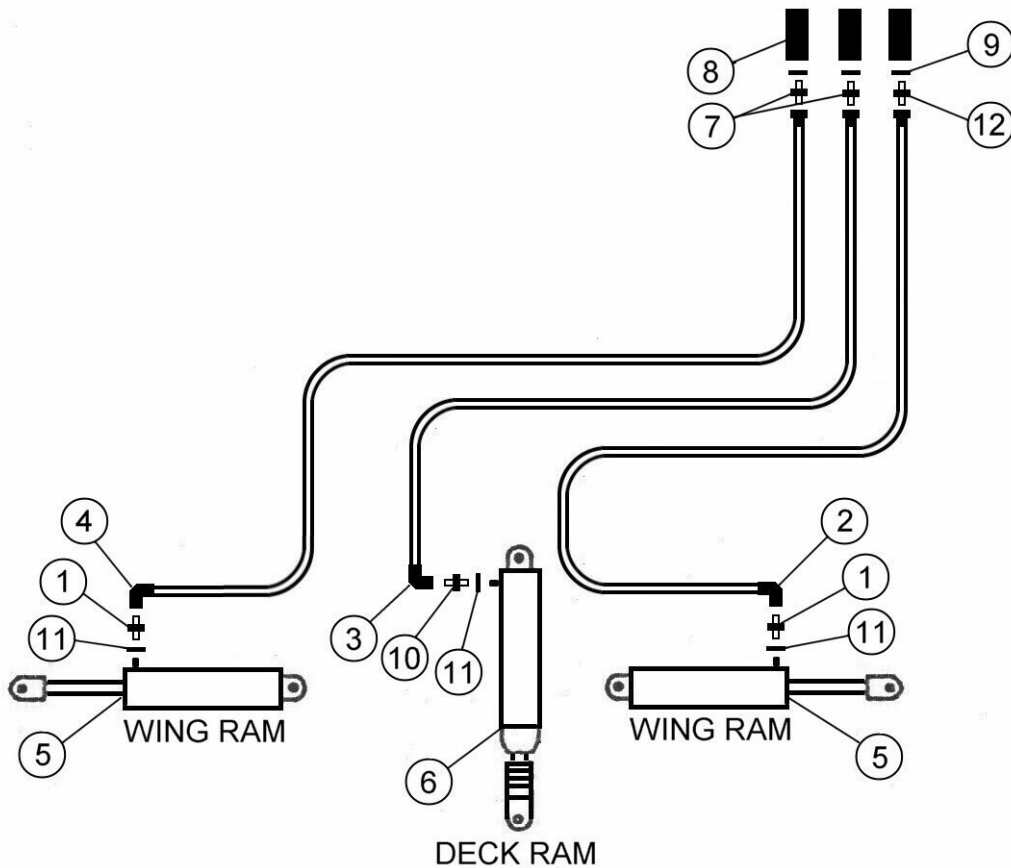


For Cat. 5 Drivelines

REF.	QTY.	PART No.	DESCRIPTION
		00756173	SLIP CLUTCH ASSEMBLY
1	1	00754083	YOKE - CLUTCH SERIES 8
2	1	00755599	CLUTCH SUPPORT
3	1	00768810	PRESSURE PLATE
4	2	00754314	PLATE WITH HOLES
5	4	00754202	CLUTCH LINING RING
6	1	00754301	BUSHING
7	8	00754303	SPRING CLUTCH
8	2	00755600	NUT & BOLT
9	8	00754199	NUT & BOLT
	8		NUT & BOLT
10	1	00754201	INTERMEDIATE PLATE

HYDRAULIC INSTALLATION

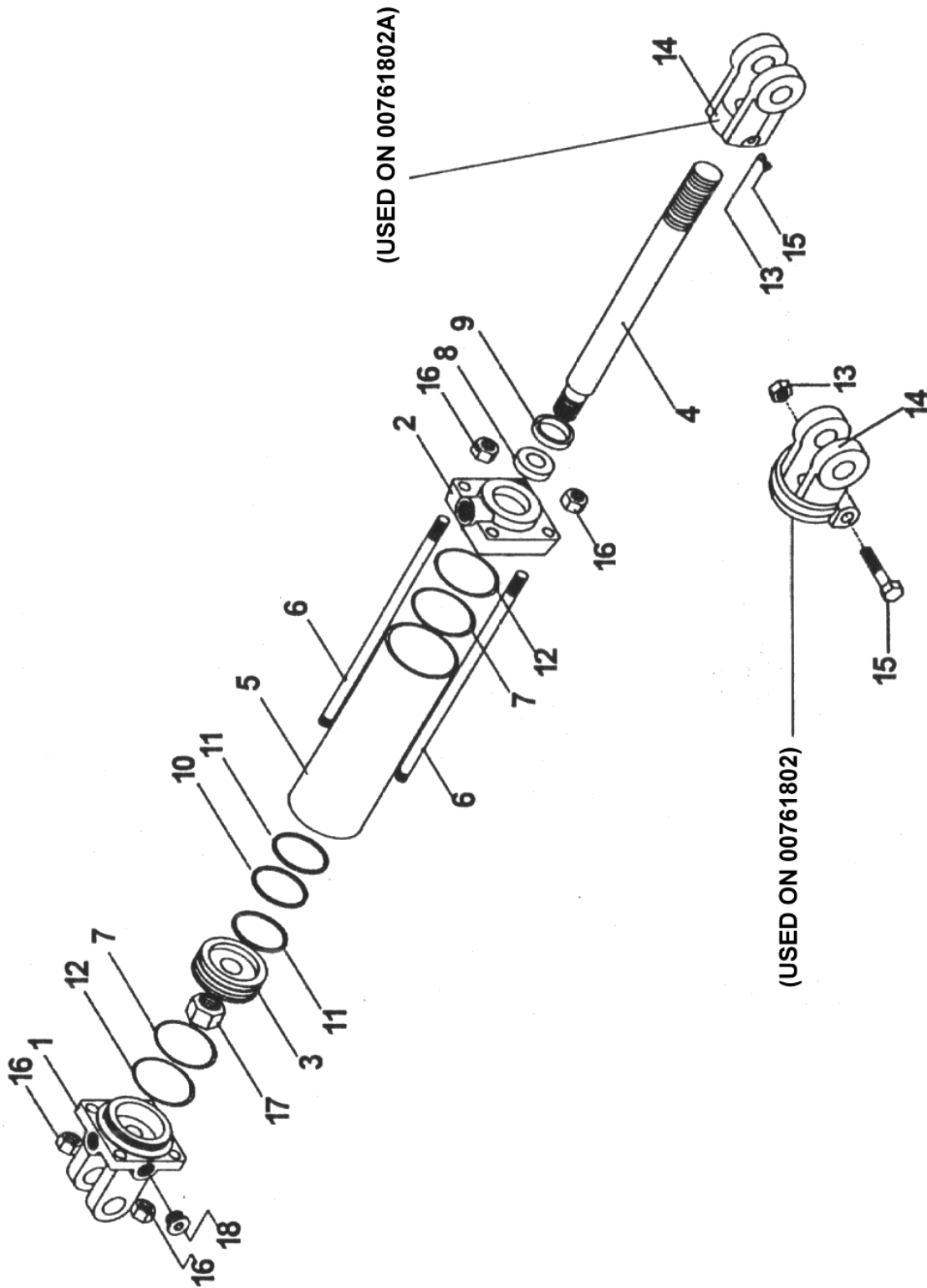
Module:
1058709



REF.	QTY.	PART No.	DESCRIPTION
		1058709	HYDRAULIC INSTALLATION
1	2	8581170	ADAPTOR
2	1	10.004.75	HYDRAULIC HOSE
3	1	10.006.60	HYDRAULIC HOSE
4	1	10.004.83	HYDRAULIC HOSE
5	2	00759947	HYDRAULIC RAM (WING)
6	1	00761802	HYDRAULIC RAM (DECK)
7	2	8124060	RESTRICTOR UNION
8	3	8590074	QUICK RELEASE COUPLING
9	3	8650104	BONDED SEAL
10	1	08.955.12	ADAPTOR
11	3	8600908	O RING
12	1	8581110	MALE UNION
13	8	7135084	HOSE TIE
14	1	00900913	HOSE SLEEVE (1200mm)
		00774761	SEAL KIT FOR WING RAM
		02975531	SEAL KIT FOR DECK RAM



Module:
00761802

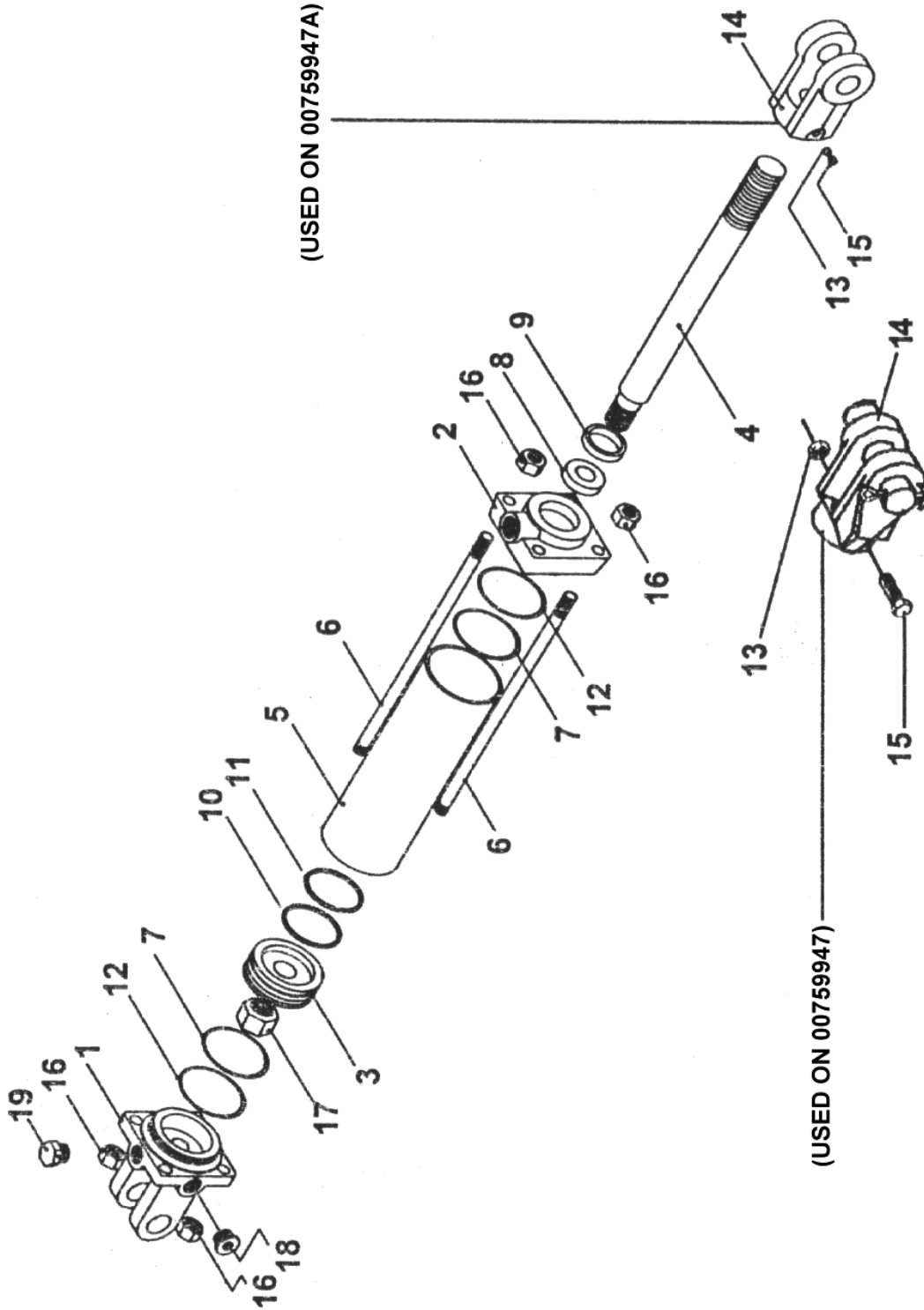


HYDRAULIC SYSTEM - AXLE RAM

REF.	QTY.	PART No.	DESCRIPTION
	1	00761802	CYLINDER ASSEMBLY
1	1	8772	CAP
2	1	00761896	HEAD
3	1	00761892	PISTON
4	1	00761894	PISTON ROD
5	1	00761893	TUBE
6	4	8773	TIE ROD
13	1	00015800	NUT
14	1	00761895	CLEVIS
15	1	00023100	BOLT
16	8	4689	TIE ROD NUT
17	1	4705	PISTON NUT
19	1	00761891	SEAL KIT
20	1	6511324	BREATHER <i>(not illustrated)</i>
	1	00761802A	CYLINDER ASSEMBLY
1	1	00774728	CLEVIS CAP
2	1	00774735	ROD CAP
3	1	00774733	PISTON
4	1	00774739	ROD
5	1	00774750	TUBE
6	4	00774745	TIE ROD
7*	2	-	'O' RING
8*	1	-	ROD WIPER SEAL
9*	1	-	ROD DUST SEAL
10*	1	-	PISTON SEAL
11*	2	-	PISTON WEAR RING
12*	2	-	BACKUP WASHERS
13	1	3047117	NYLON THREAD PROTECTOR
14	1	1917140	ROD CLEVIS
15	1	00774740	SETSCREW
16	8	33017H5C	TIE ROD NUT
17	1	5JRC16140	PISTON NUT
18	1	1917132	PORT PLUG

* Consists of Seal Kit 00774759

Module:
00759947





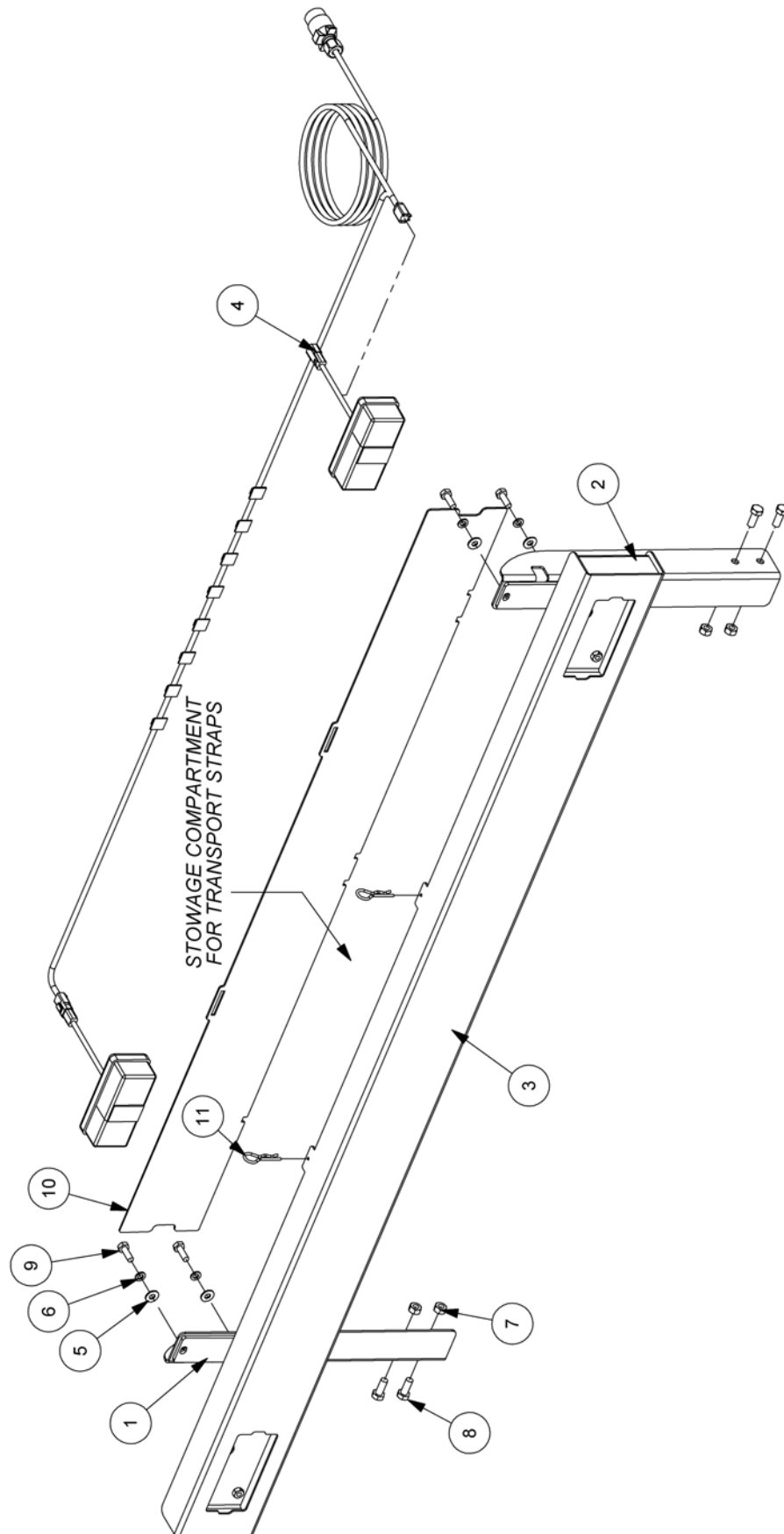
HYDRAULIC SYSTEM - WING RAM

REF.	QTY.	PART No.	DESCRIPTION
	1	00759947	CYLINDER ASSEMBLY
1	1	00760197	CAP
2	1	00760197	HEAD
3	1	00760198	PISTON
4	1	00760201	PISTON ROD
5	1	00760195	TUBE
6	4	00760203	TIE ROD
13	1	4378	HEX NUT
14	1	8754	OUTER CLEVIS
15	1	4427	BOLT
16	8	4690	TIE ROD NUT
17	1	4675	PISTON NUT
19	1	6511324	BREATHER PLUG
20	1	00760199	SEAL KIT
	1	00759947A	CYLINDER ASSEMBLY
1	1	2417158	CLEVIS CAP
2	1	2417157	ROD CAP
3	1	00774732	PISTON
4	1	00774738	ROD
5	1	00774749	TUBE
6	4	00774743	TIE ROD
7*	2	-	'O' RING
8*	1	-	ROD WIPER SEAL
9*	1	-	ROD DUST SEAL
10*	1	-	PISTON SEAL
11*	2	-	PISTON WEAR RING
12*	2	-	BACKUP WASHERS
13	1	3047117	NYLON THREAD PROTECTOR
14	1	1917140	ROD CLEVIS
15	1	00774740	SETSCREW
16	8	33005H5C	TIE ROD NUT
17	1	5JRC16140	PISTON NUT
18	1	1917132	PORT PLUG
19	1	2417154	BREATHER

* Consists of Seal Kit 00774761

LIGHTBAR ASSEMBLY

Module:
1058702

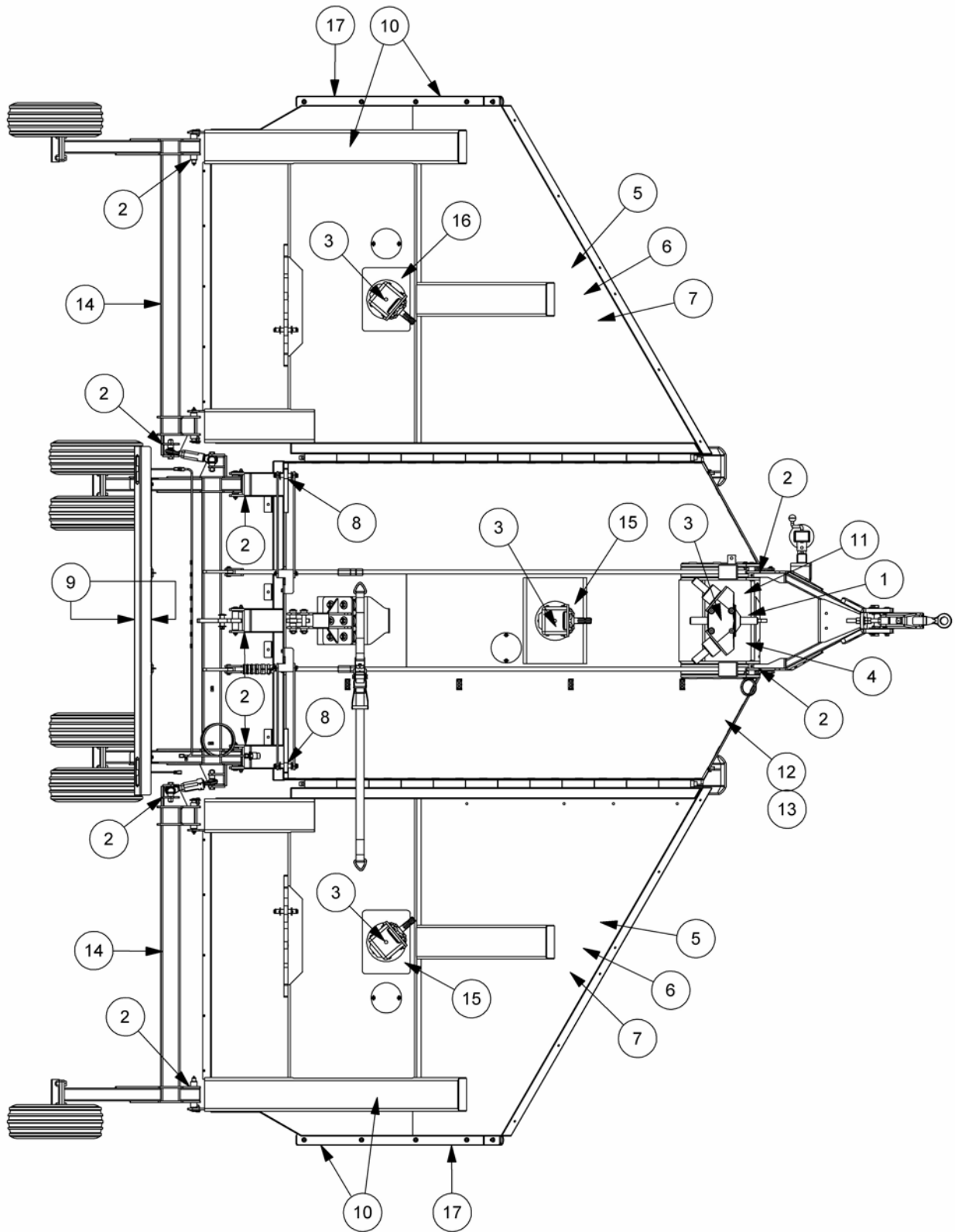


**LIGHTBAR ASSEMBLY**

REF.	QTY.	PART No.	DESCRIPTION
		1058702	LIGHTBAR ASSEMBLY
1	1	21824.01	LIGHT BAR MOUNTING - L/H
2	1	21824.02	LIGHT BAR MOUNTING - R/H
3	1	45381.09	LIGHTBAR
4	1	45900.08	LIGHTING KIT
5	4	9100105	FLAT WASHER
6	4	9100205	SPRING WASHER
7	4	9143006	SELF-LOCKING NUT
8	4	9313066	SETSCREW
9	4	9313065	SETSCREW
10	1	21852.01	LIGHT BAR BACK PLATE
11	2	0431105	SPRING COTTER

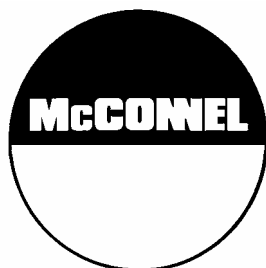
MACHINE DECALS

Module:
1058710




MACHINE DECALS

REF.	QTY.	PART No.	DESCRIPTION
		1058710	DECAL KIT - SR20 Smooth Deck Models
1	1	00763613	DECAL - SLIP CLUTCH ADJUSTMENT
2	15	09.810.01	DECAL - GREASE (8 Hours)
3	4	09.810.05	DECAL - OIL LEVEL
4	1	09.811.05	DECAL - PTO SPEED (1000 rpm)
5	2	09.821.29	DECAL - COMBINED EURODECAL
6	2	09.821.30	DECAL - COMBINED EURODECAL
7	2	09.821.34	DECAL - COMBINED EURODECAL
8	2	09.843.07	DECAL - LIFT POINT
9	2	1290527	DECAL - McCONNEL
10	4	1290533	DECAL - McCONNEL
11	1	1290571	DECAL - QUEENS AWARD
12	4	7103230	POP RIVET
13	1	1335246	SERIAL No. PLATE
14	4	7560093	DECAL - ADHESIVE REFLECTOR
15	2	D137	DECAL - BLADE ROTATION (CCW)
16	1	D138	DECAL - BLADE ROTATION (CW)
17	2	1290676	DECAL - SR20



McConnel Limited, Temeside Works, Ludlow, Shropshire SY8 1JL. England.
Telephone: 01584 873131. Facsimile: 01584 876463. www.mcconnel.com