

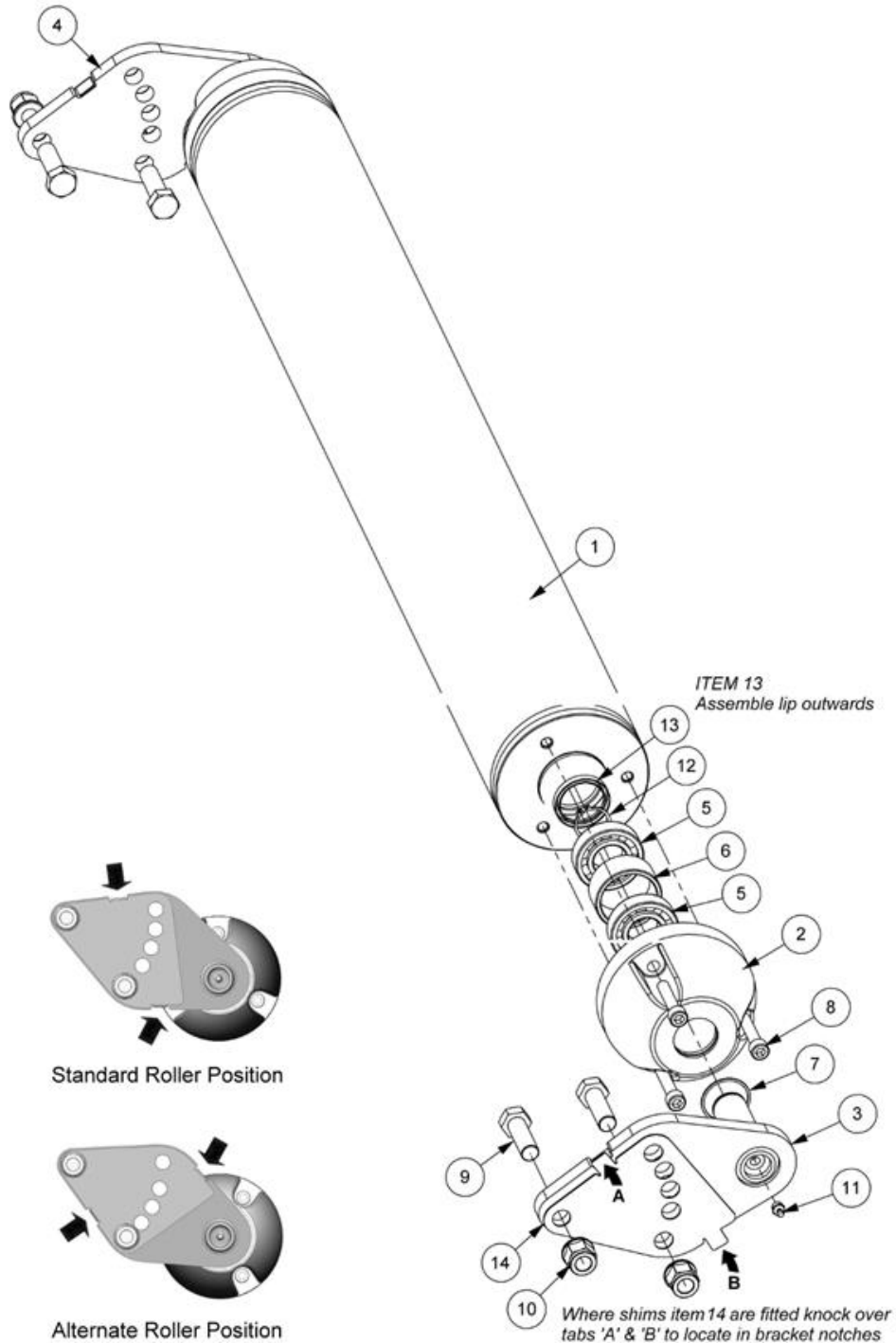
PARTS MANUAL

FOR

SERIAL NO: M1539459

PRINTED ON 08 JUL 2020

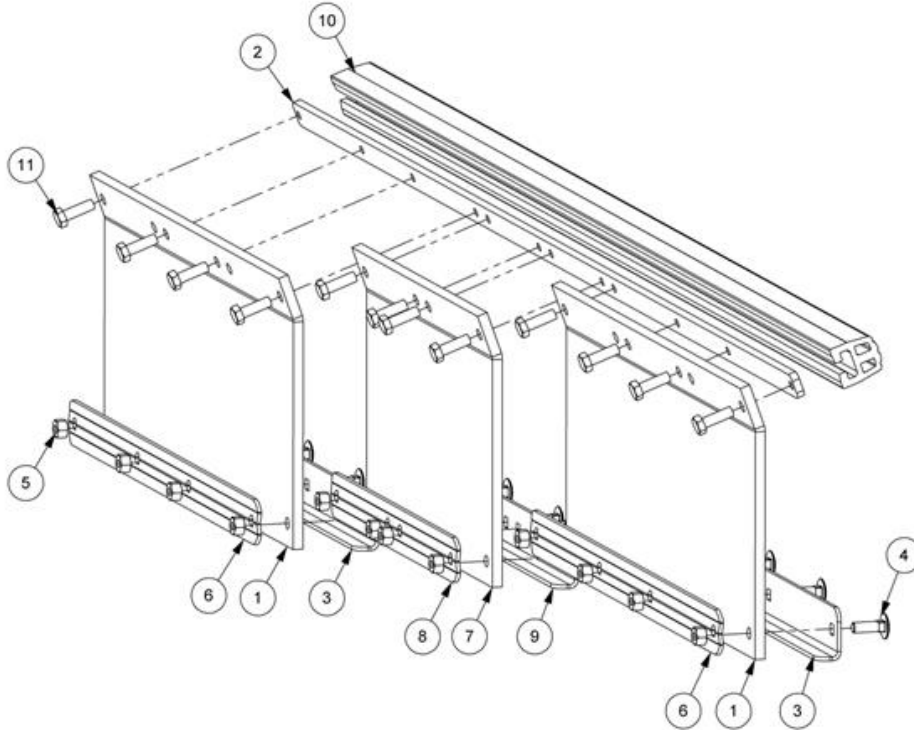
21523.08 - ROLLER ASSY



Ref	Part No	Description	QTY
1	21394.03	ROLLER	1
2	21394.32	CAP	2
3	21524.12	BRACKET	1
4	21524.13	BRACKET	1
5	0600111	BEARING	4
6	21523.31	SPACER	2
7	0402240	RING	2

Ref	Part No	Description	QTY
8	9343105	SCREW	6
9	9200031	BOLT	4
10	9100024	NUT	4
11	0901121	GREASER	2
12	0401230	CIRCLIP	2
13	8629239	SEAL	2
14	42257.10	SHIM	2

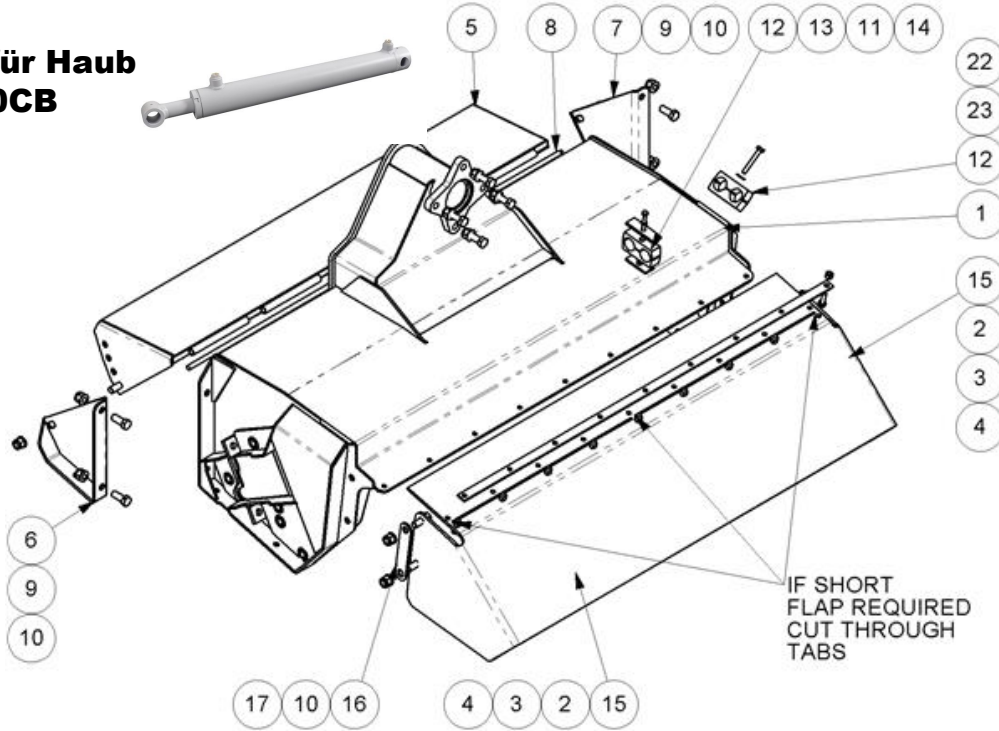
21541.01 - USE 21541.01S FOR SPARES



Ref	Part No	Description	QTY
1	21544.01	FLAP	2
2	21541.05	PLATE	2
3	9293054	BOLT	28
4	9163004	NUT	28
5	21541.06	PLATE	2
6	21544.02	FLAP	1
7	21541.08	PLATE	1
8	21541.07	PLATE	1
9	7190304	STRIP	1

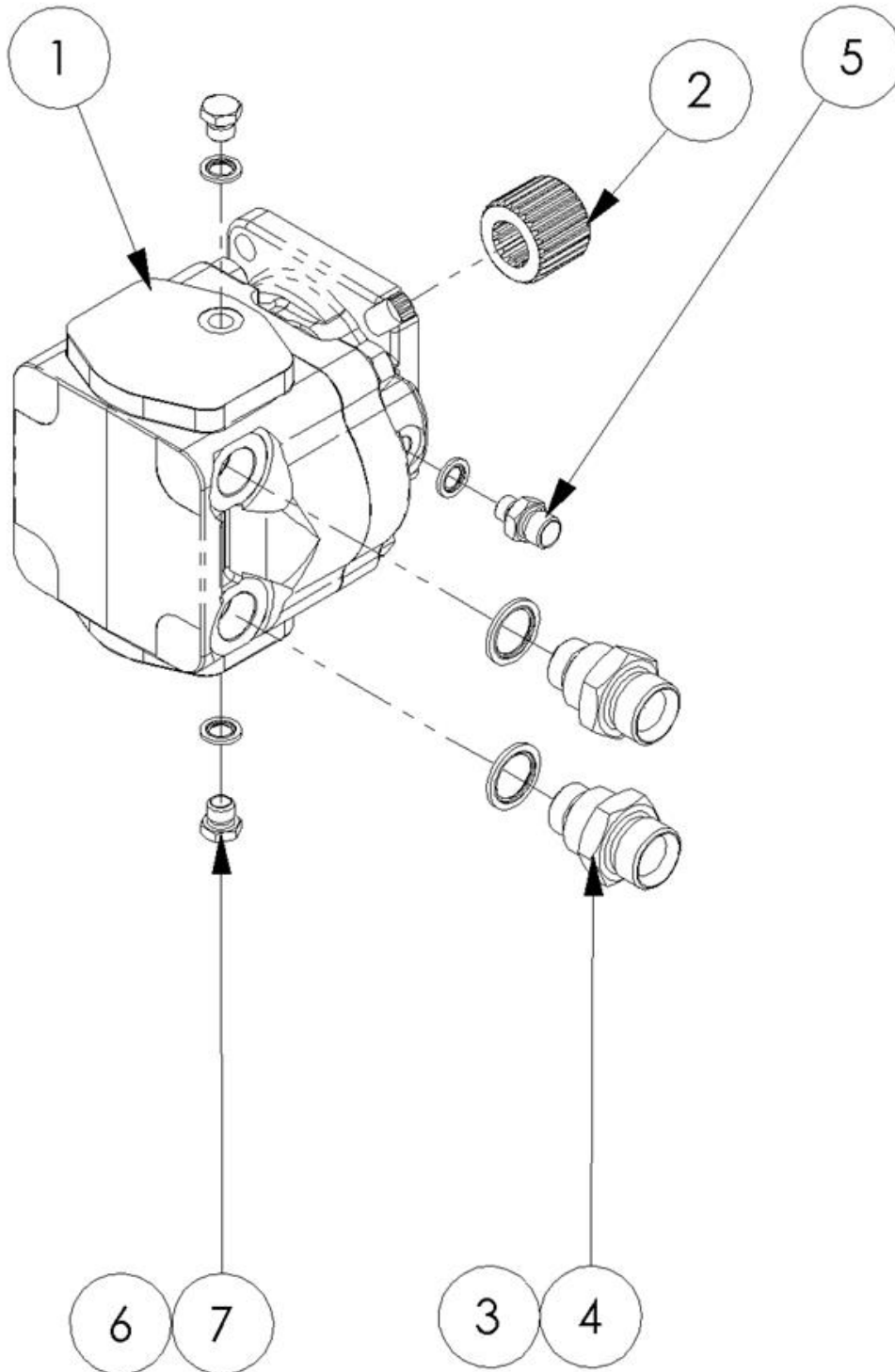
22494.48 - CASING MODULE

**Zylinder für Haub
D2032150CB**



Ref	Part No	Description	QTY
1	41685.11	CASING	1
2	7190313	PLATE	1
3	9313075	SCREW	9
4	9163005	NUT	9
5	41695.02	FRONT HOOD	1
6	7290388	BRACKET - LH	1
7	7290387	BRACKET - RH	1
8	41700.01	PIN	1
9	30.073.25	BOLT	8
10	9100024	NUT	14
12	7193063	CLAMP	1
15	42440.09	FLAP	1
16	41289.05	FLAP STRAP	2
17	9200028	BOLT	3
21	9200031	BOLT	4
22	9213145	BOLT	1
23	9100105	WASHER	1

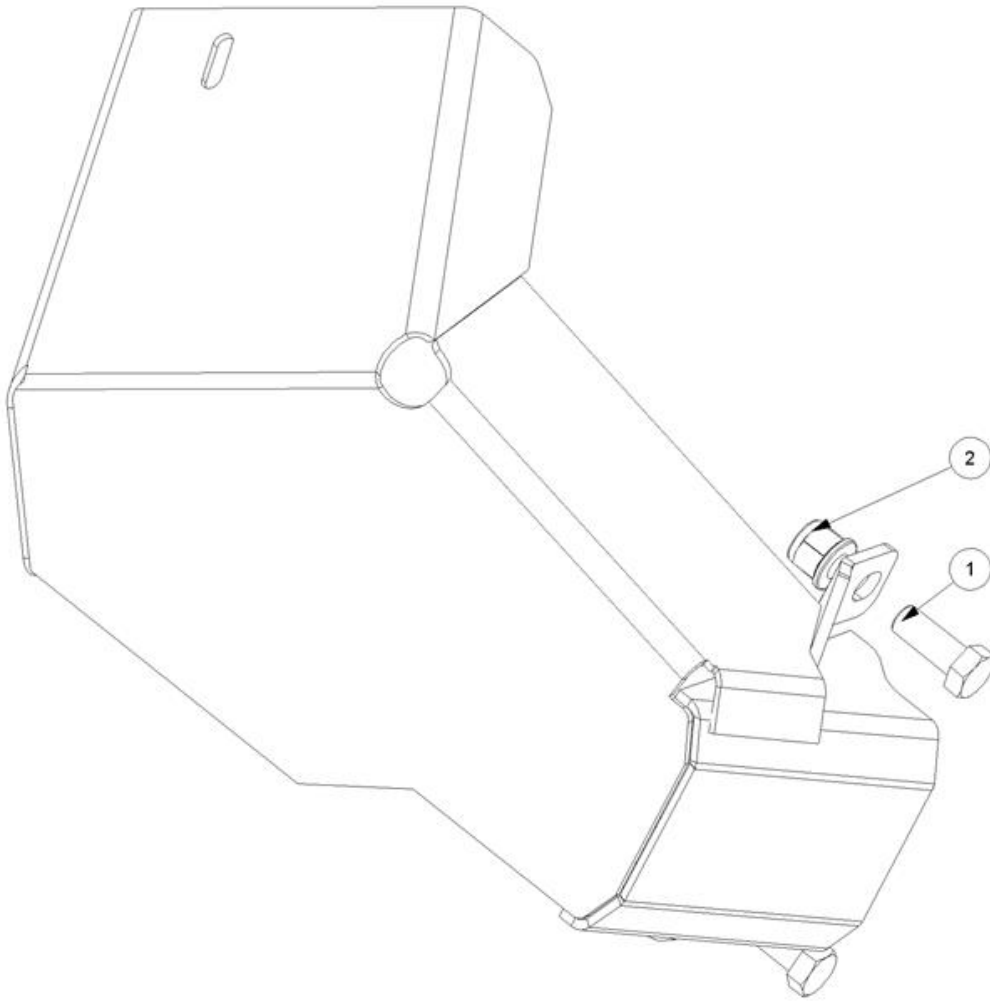
22495.50 - DRIVE MODULE



Ref	Part No	Description	QTY
1	8301313	MOTOR	1
2	43390.03	COUPLING	1
3	8650106	SEAL	2
4	8581295	ADAPTOR	2
5	01.099.01	ADAPTOR	1
6	8650102	SEAL	3
7	520378	ADAPTOR	2

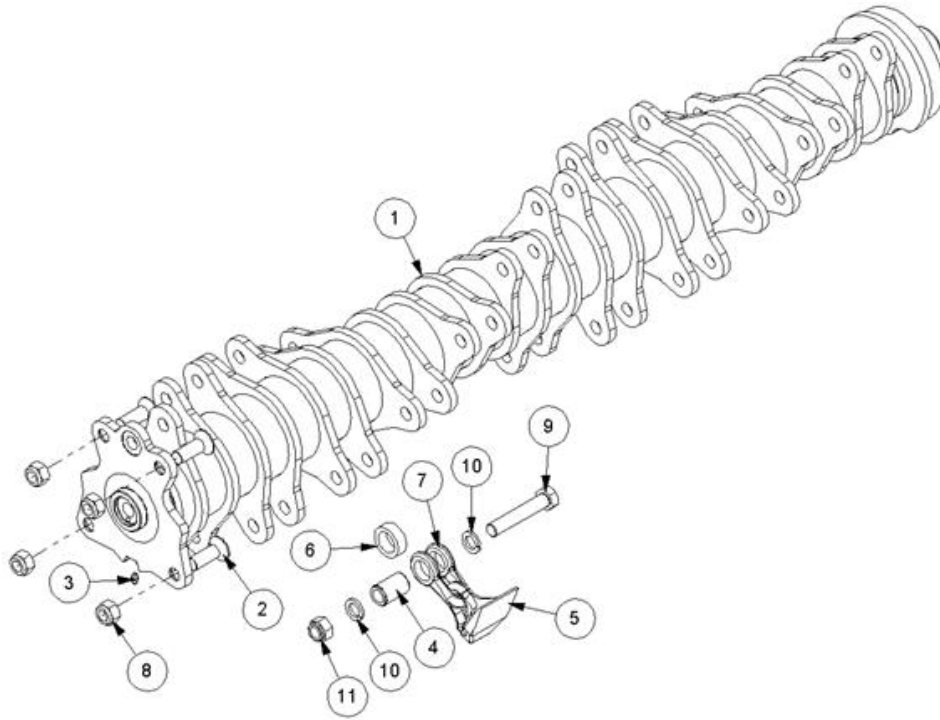
Ref	Part No	Description	QTY
8	8650108	SEAL	2
9	8581241	ADAPTOR	2

22496.43 - COVER MODULE



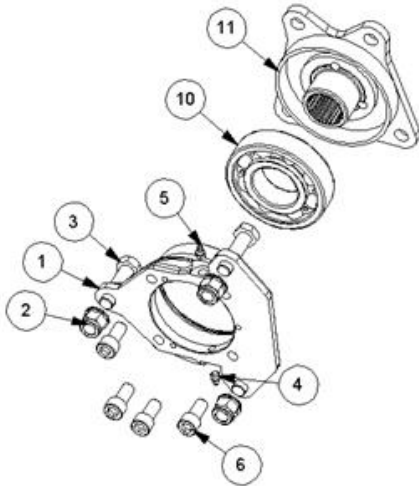
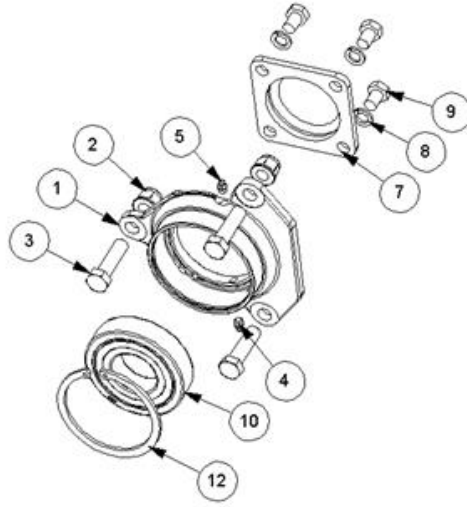
Ref	Part No	Description	QTY
1	9200028	BOLT	2
2	9100024	NUT	2
3	42282.24	COVER	1

22497.06 - 1.2M ROTOR MODULE



Ref	Part No	Description	QTY
1	22269.01	ROTOR-MULTICUT 1.2M QUAD DR	1
2	9353097	SCREW	4
3	0901161	GREASER	1
4	7314223	BUSH	24
5	7190462	FLAIL - UNIVERSAL BOOT	24
6	7190172	SPACER	24
7	7190175	SHACKLE	24
8	9163007	NUT	4
9	7314201	BOLT	24
10	0100206	WASHER	48
11	0141006	NUT	24

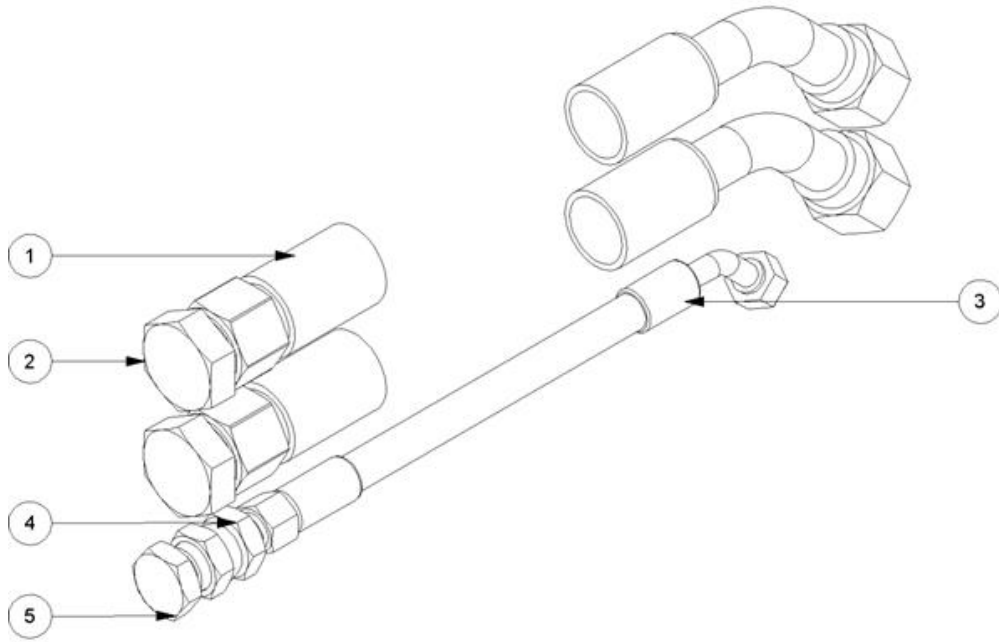
22498.01 - QUAD DRIVE MODULE



SPACERS (not shown)
8121043 - 0.4mm
8121044 - 0.6mm

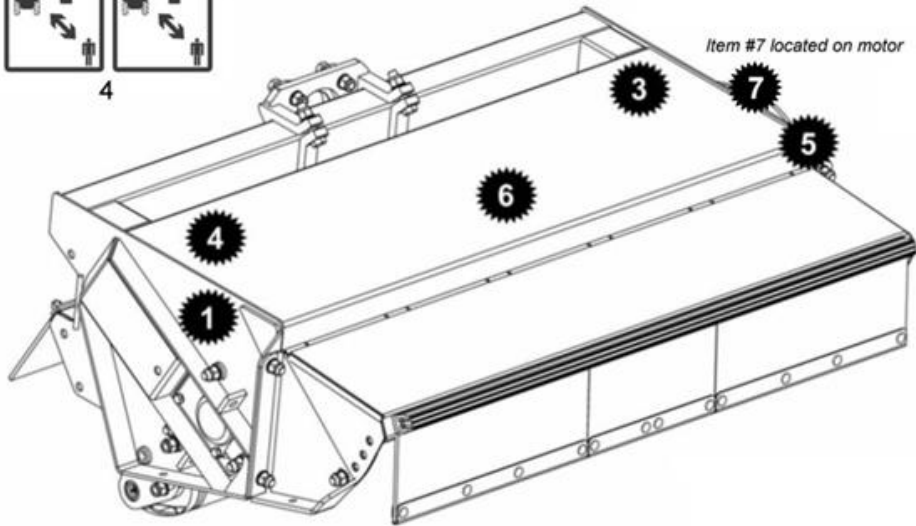
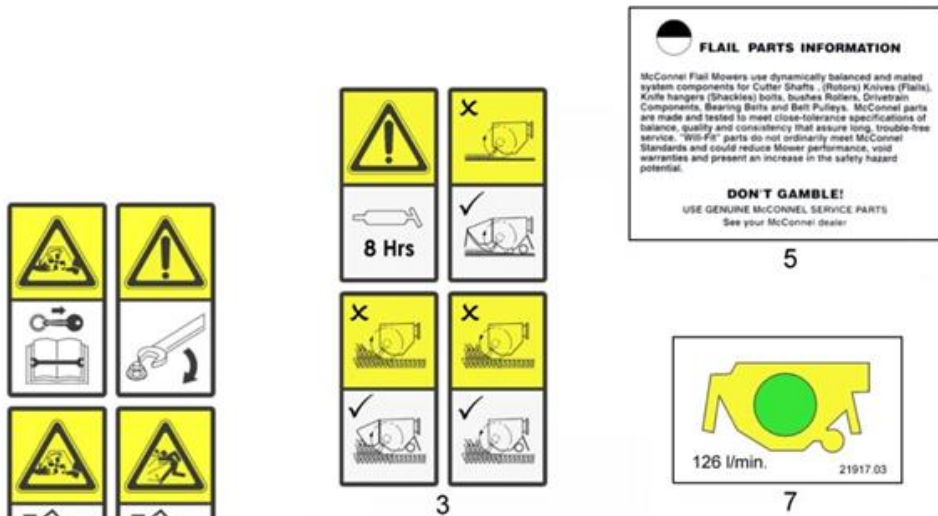
Ref	Part No	Description	QTY
1	7190367	HOUSING	2
3	9200031	BOLT	6
4	0901121	GREASER	4
6	9300171	SCREW	4
7	43390.04	PLATE	1
8	05.282.08	WASHER	4
9	9313047	SCREW	4
10	0600018	BEARING - ROTOR	2
11	22269.02	HUB	1
12	7190022	CIRCLIP	1
13	8121044	SPACER	5
14	8121043	SPACER	5

23030.04 - HOSE KIT

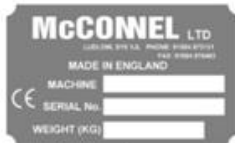


Ref	Part No	Description	QTY
1	21270.37	HOSE	2
2	05.433.03	ADAPTOR	2
3	10.030.37	HOSE	1
4	8581544	SWIVEL ADAPTOR	1
5	8581351	ADAPTOR	1

7350709 - STICKER MODULE



Flailhead shown is for general illustration purposes only and appearance may differ from your particular model



1

McCONEL

6

Ref	Part No	Description	QTY
1	1335246	SERIAL No. PLATE	1
2	7103230	RIVET	4
3	1290738	DECAL	1
4	09.821.35	DECAL	1
5	1290392	DECAL	1
6	1290527	DECAL	1
7	21917.03	DECAL	1
8	1291045	DECAL	1